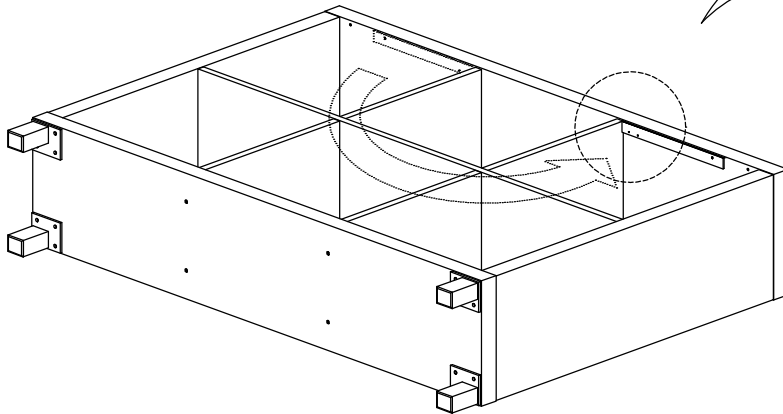


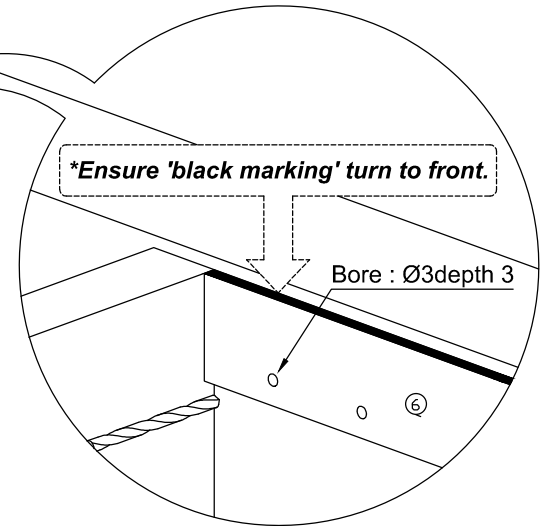
Assembly Instruction

Step 4



**Ensure 'black marking' turn to front.*

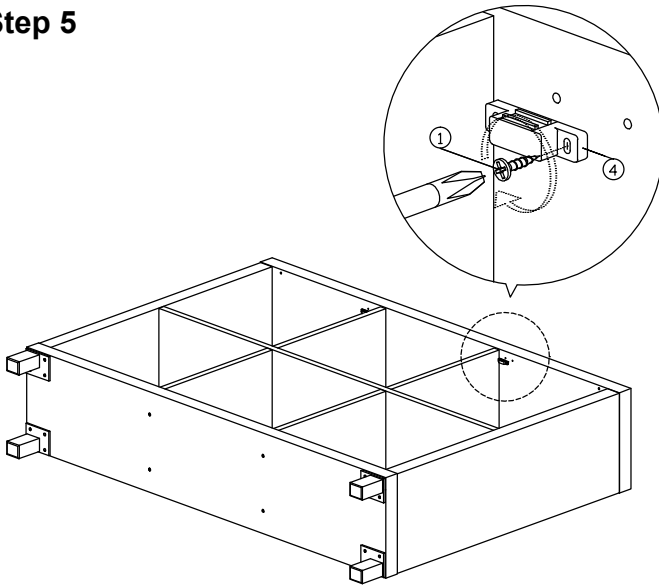
Bore : $\varnothing 3$ depth 3



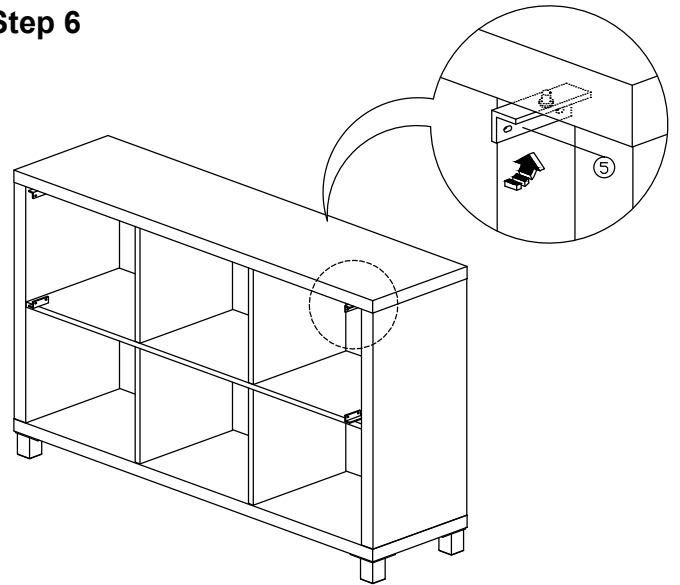
**Bottom view*

**This is how to make a marking for brown magnet.*

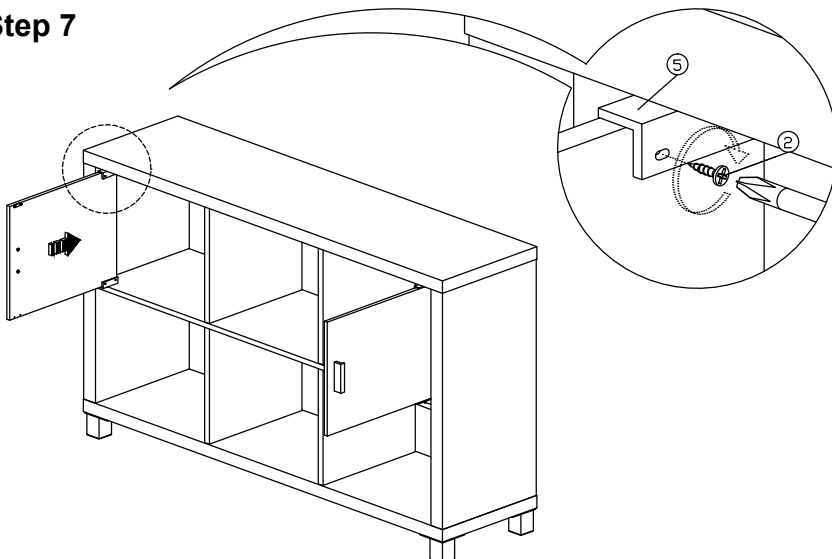
Step 5



Step 6



Step 7



Sample

