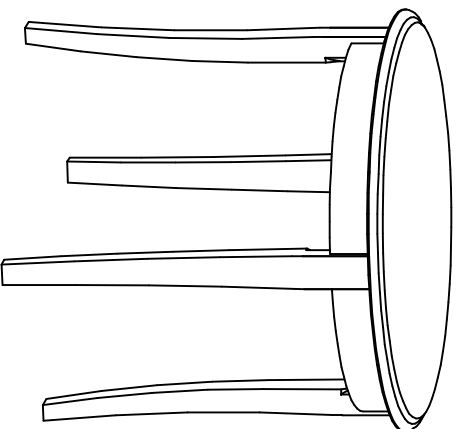


ASSEMBLY INSTRUCTIONS

CF-ET / VS-ET



COMPONENTS CHECKLIST

ASSEMBLY INSTRUCTIONS

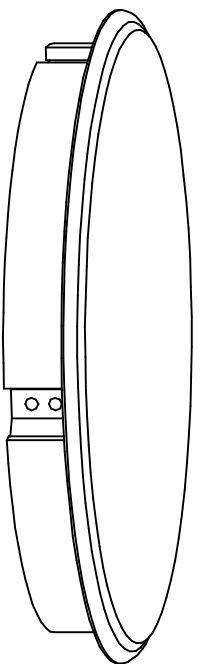
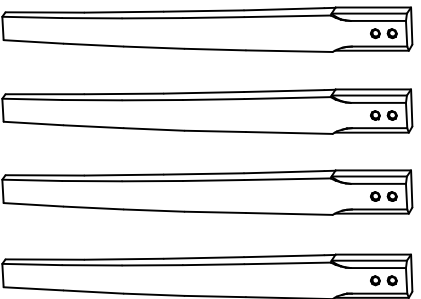


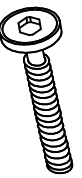
TABLE TOP : 1 PC



LEG : 4PCS

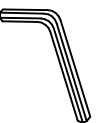
FITTINGS HARDWARE

Part ' A '



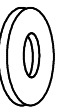
JCBC BOLT M6 x 70 : 8 PCS

Part ' B '



ALLEN KEY M4: 1 PC

Part ' C '



FLAT WASHER 5/16"
8 PCS

Part ' D '



SPRING WASHER 5/16"
8 PCS

