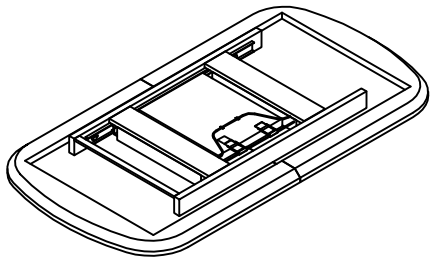
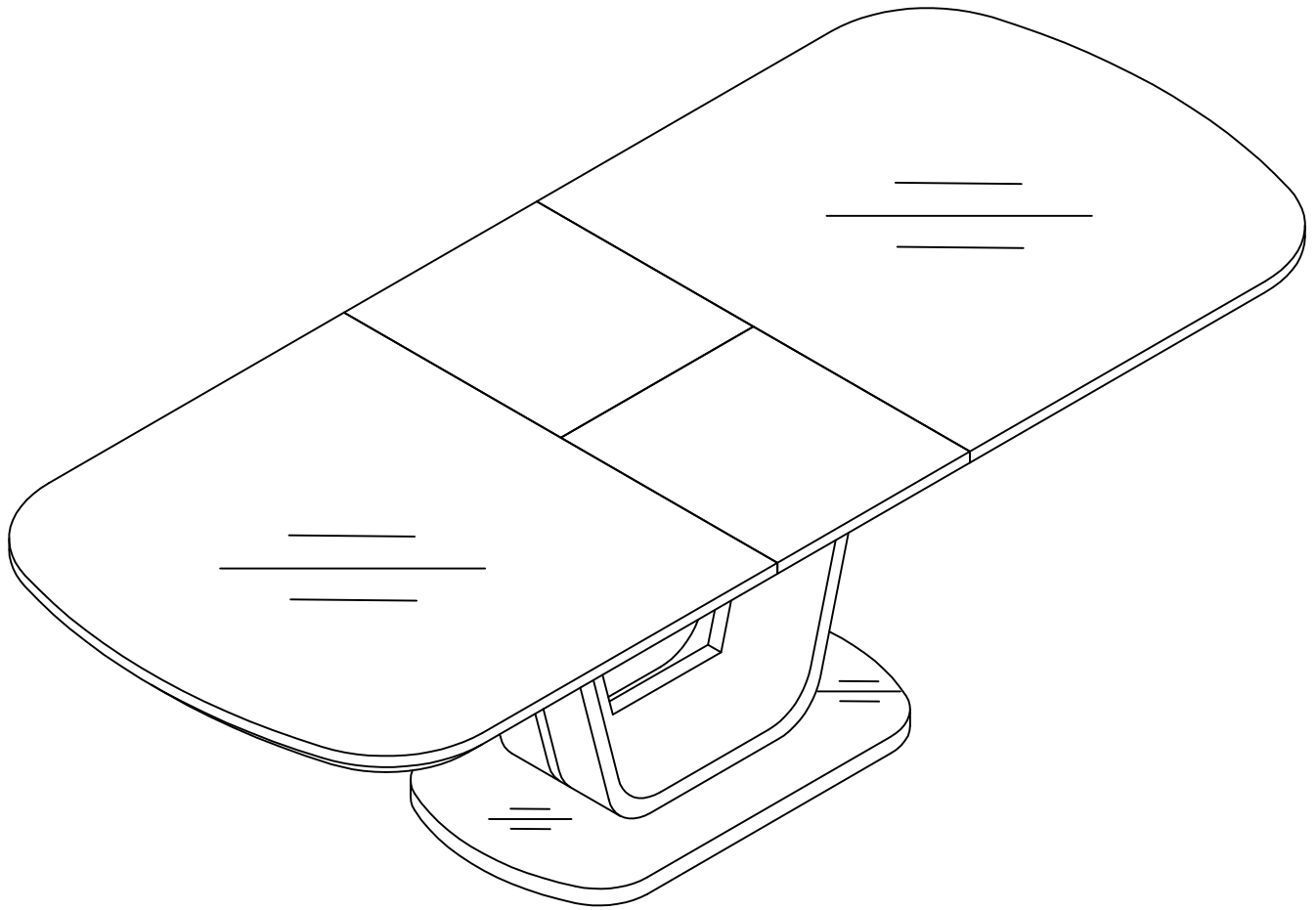
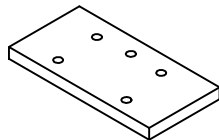


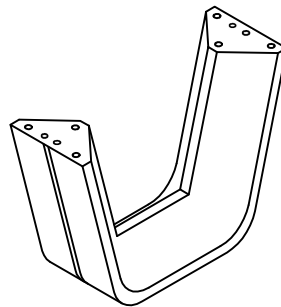
# "VILMER"



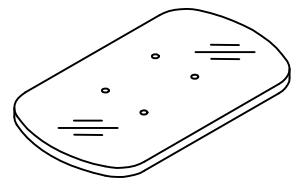
① x1



② x2

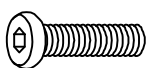


③ x1

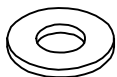


④ x1

A (M8x45) x14



B (∅22x1.5mm) x14



C (M8) x14



D (M5) x1



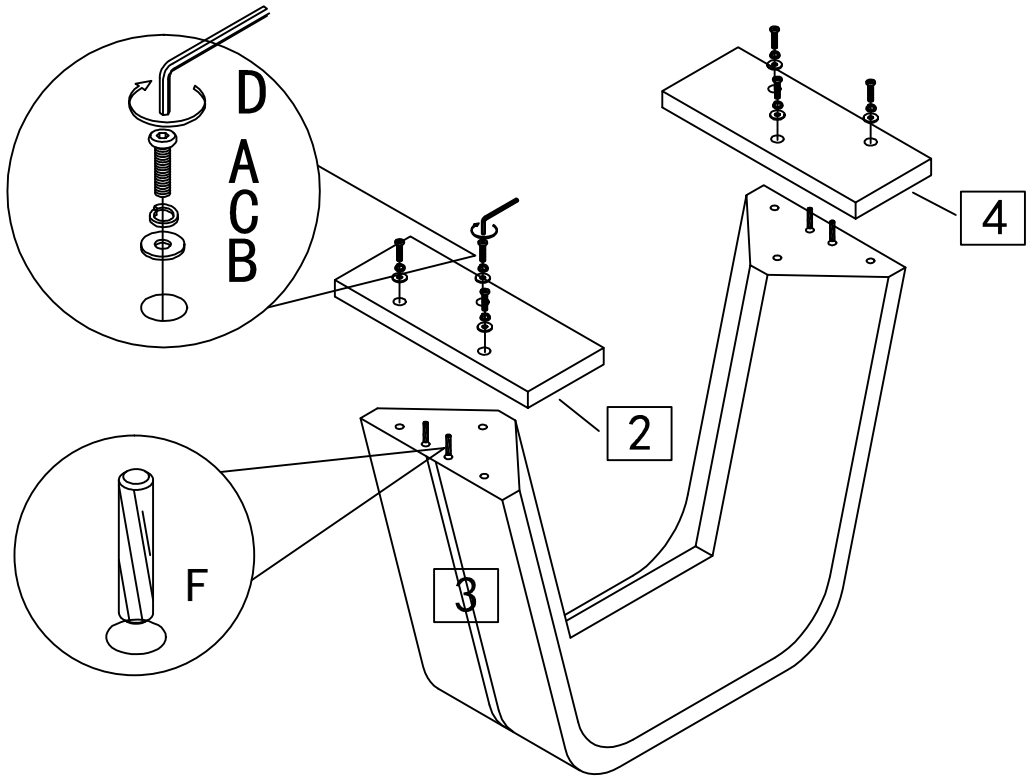
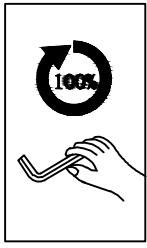
E (M6x15mm) x8



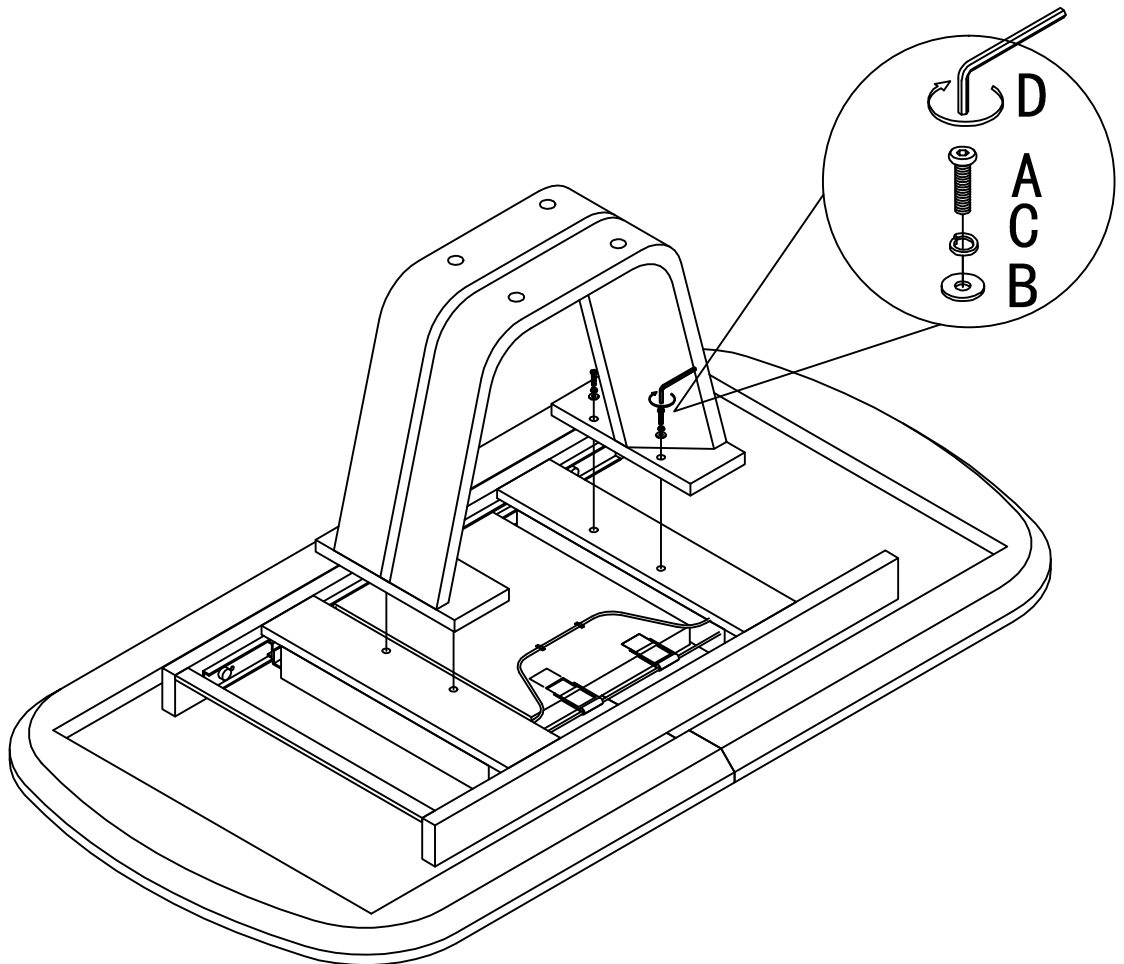
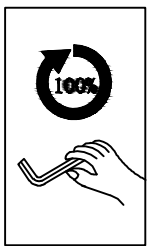
F x4



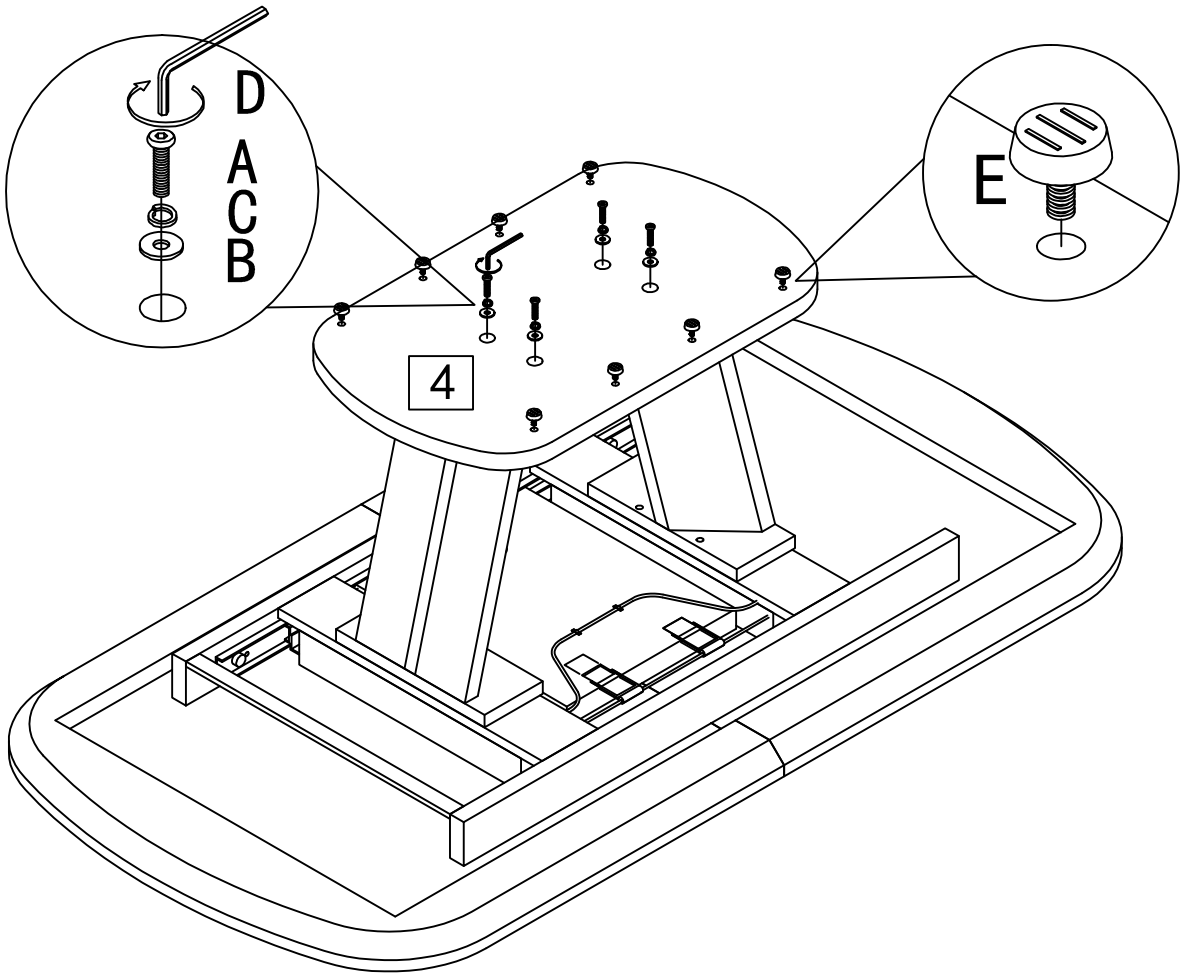
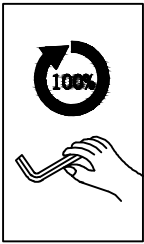
1



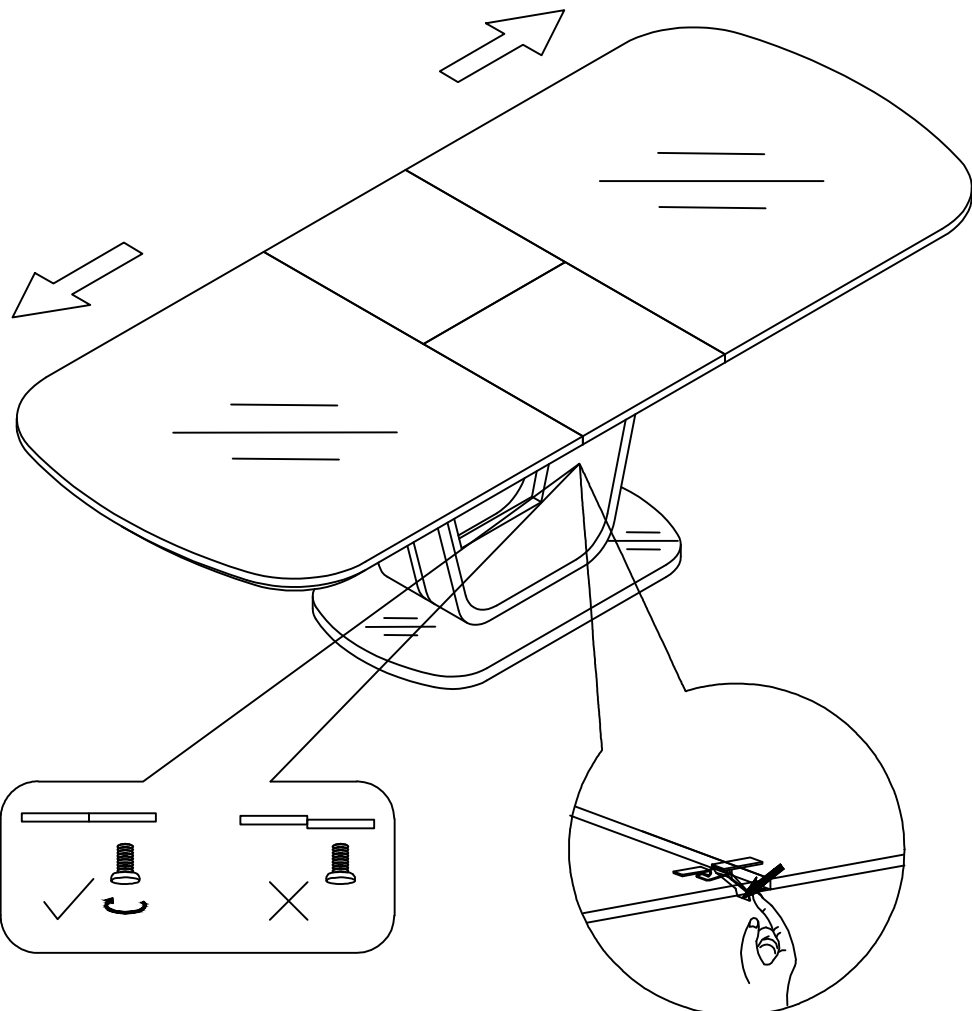
2



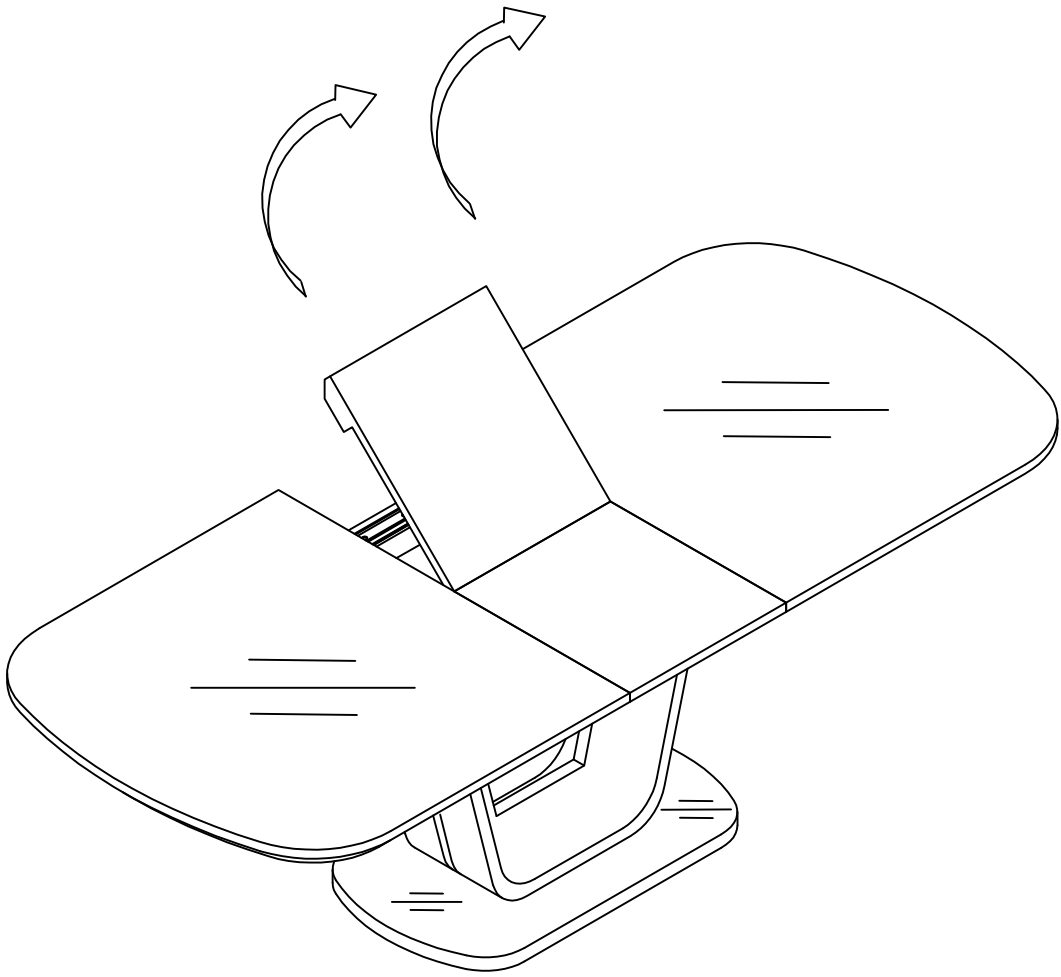
3



4



5



6

