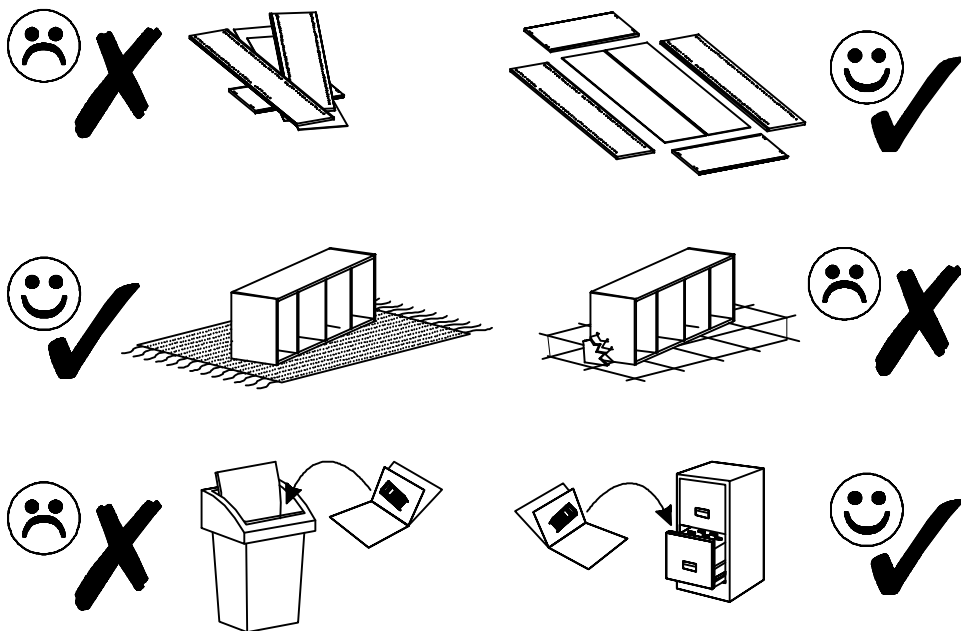
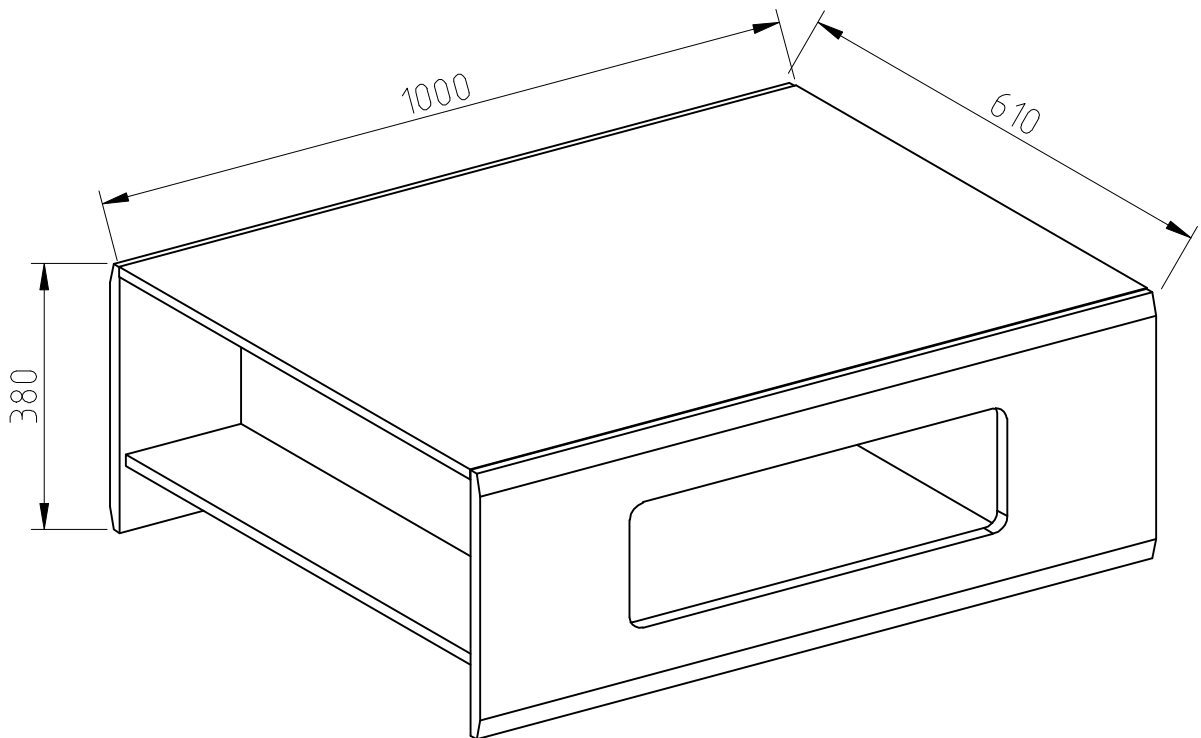
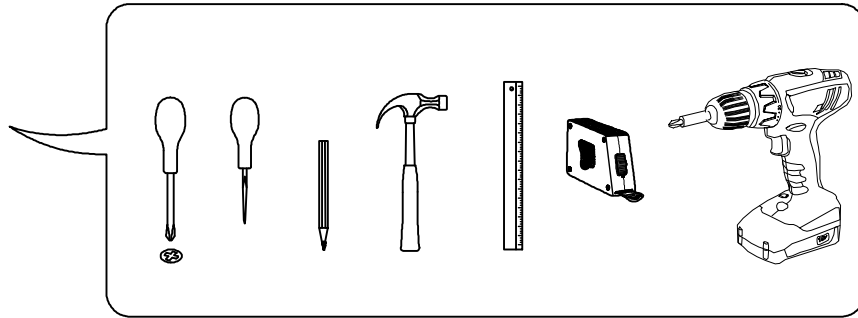
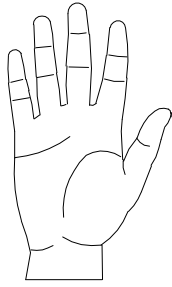



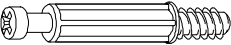
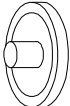

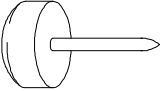
# ROSSI

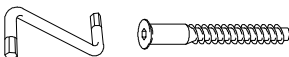
## COFFEE TABLE



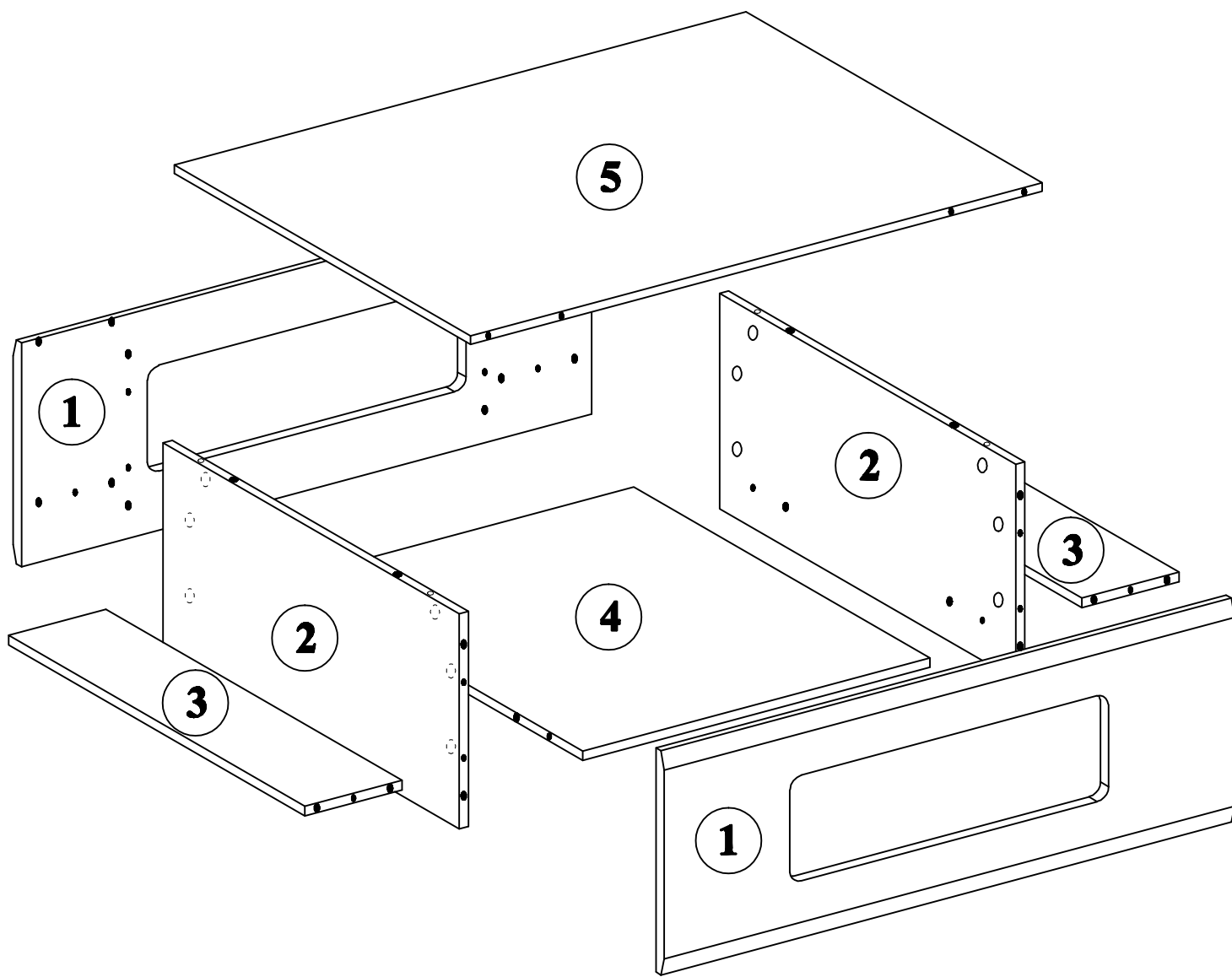
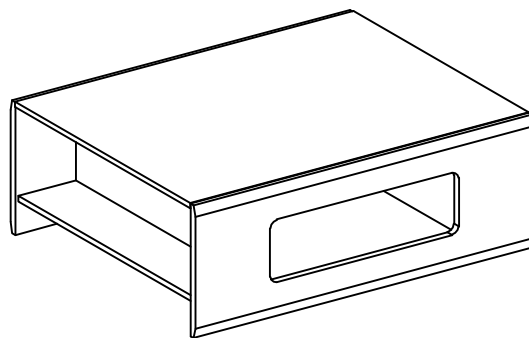
# ROSSI COFFEE TABLE




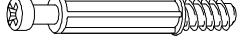
 <b>A1</b> 8*30mm <b>x32</b>	 <b>C1</b> 5*30mm <b>x20</b>	 <b>D</b> <b>x20</b>
 <b>D1</b> 16mm <b>x20</b>	 <b>K1</b> <b>x4</b>	

<b>Nº</b>	<b>a*b</b>	<b>x</b>	<b>Nº → ...</b>
1	998x379	x2	
2	578x364	x2	
3	578x170	x2	
4	578x608	x1	
5	1000x578	x1	
		x1	

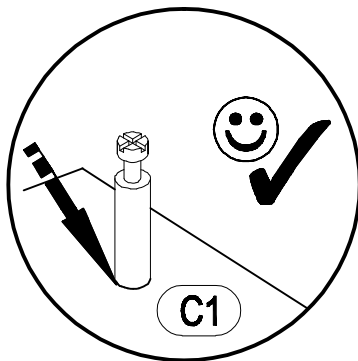
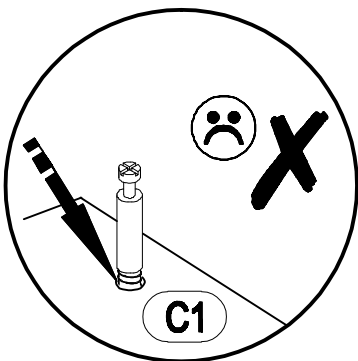
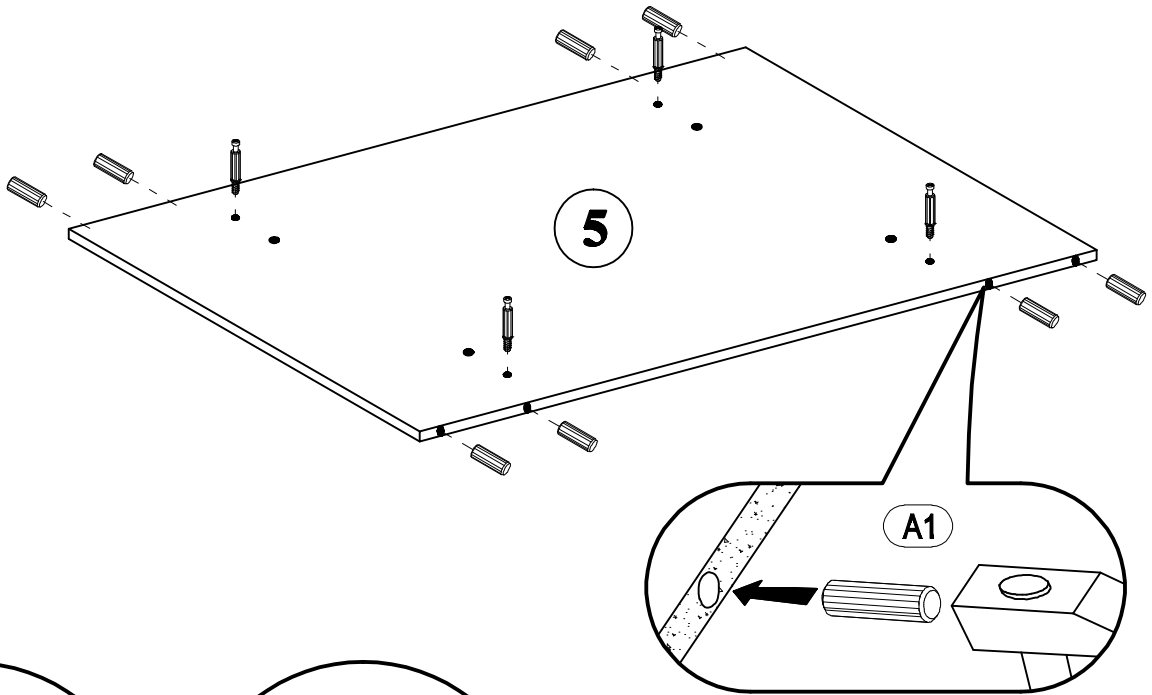
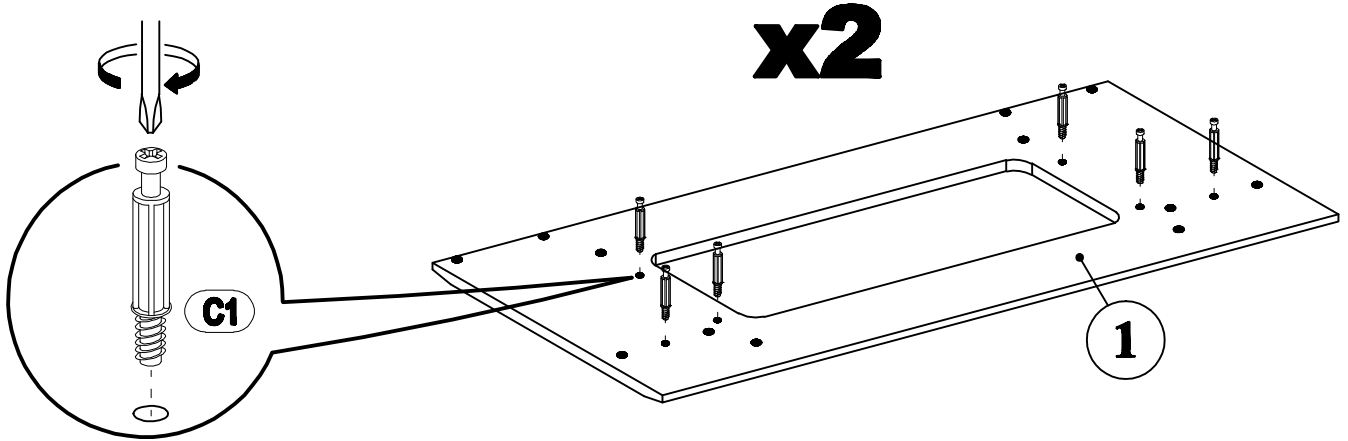
**ROSSI**  
**COFFEE TABLE**




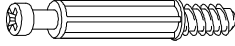

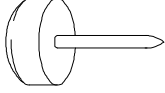
# ROSSI COFFEE TABLE

	
<b>A1</b> 8*30mm x8	<b>C1</b> 5*30mm x16

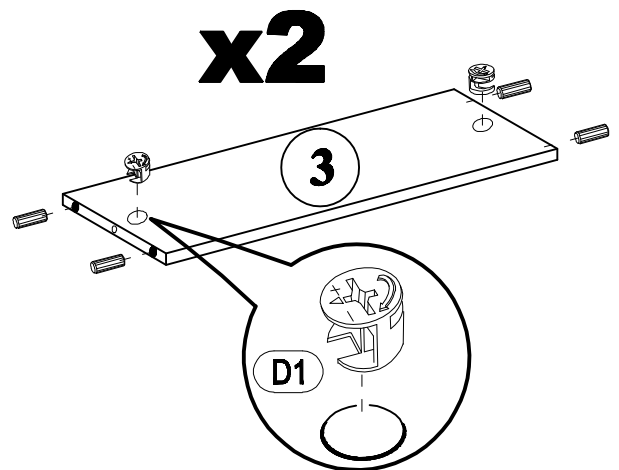
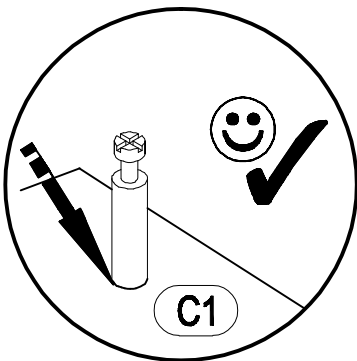
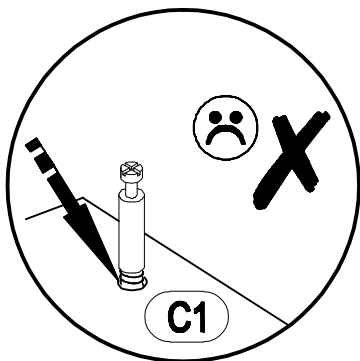
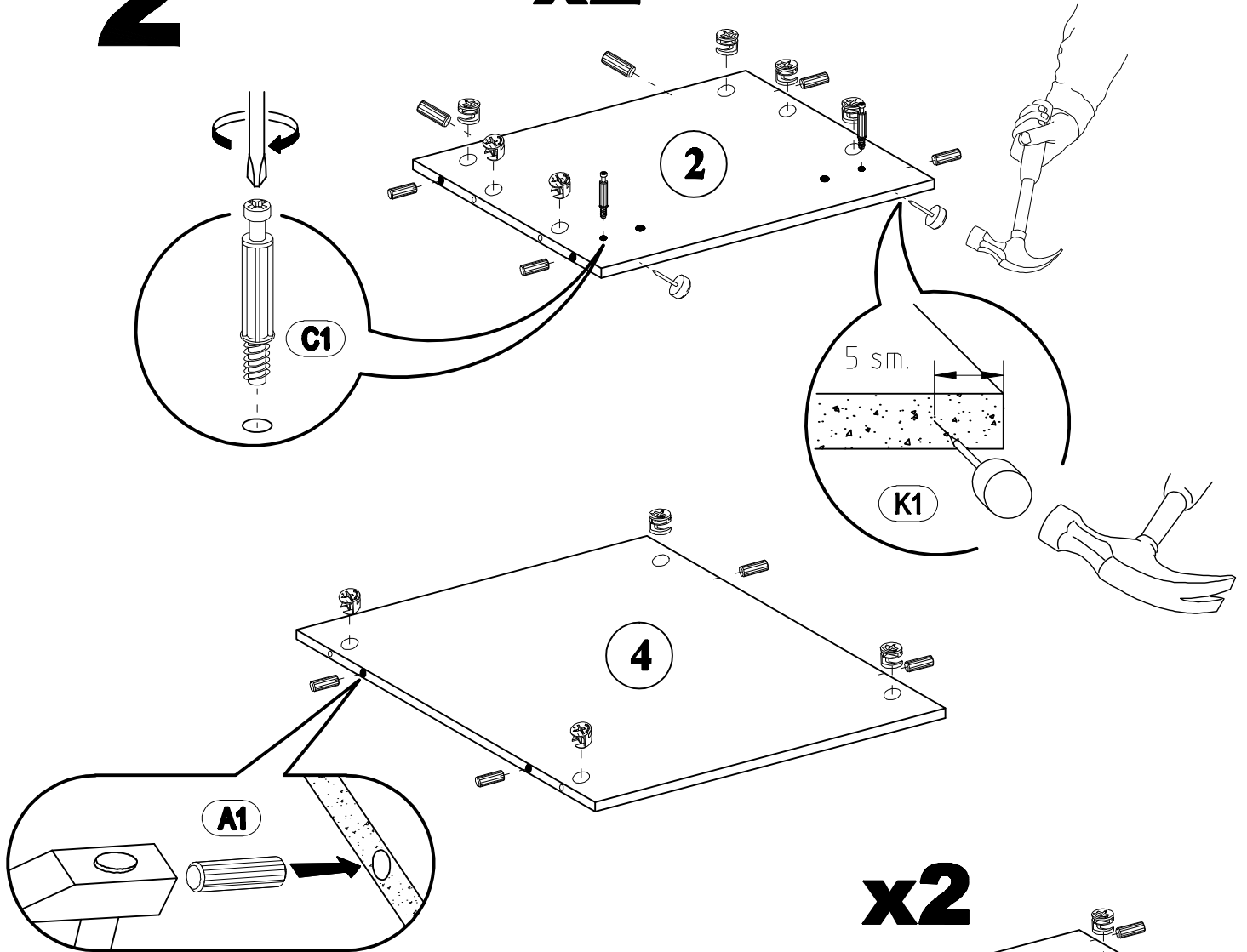
# 1



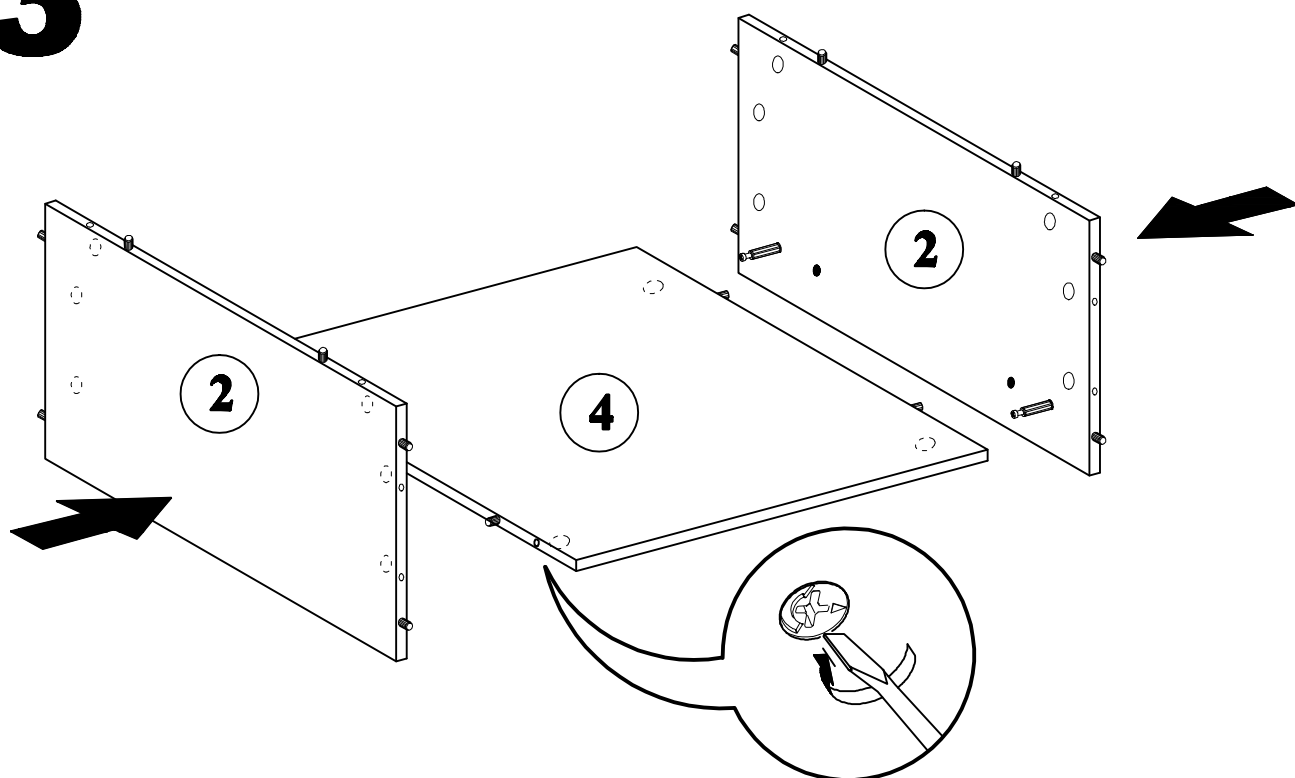
# ROSSI COFFEE TABLE

 <b>A1</b> 8*30mm x24	 <b>C1</b> 5*30mm x4	 <b>D1</b> 16mm x20
		 <b>K1</b> x4

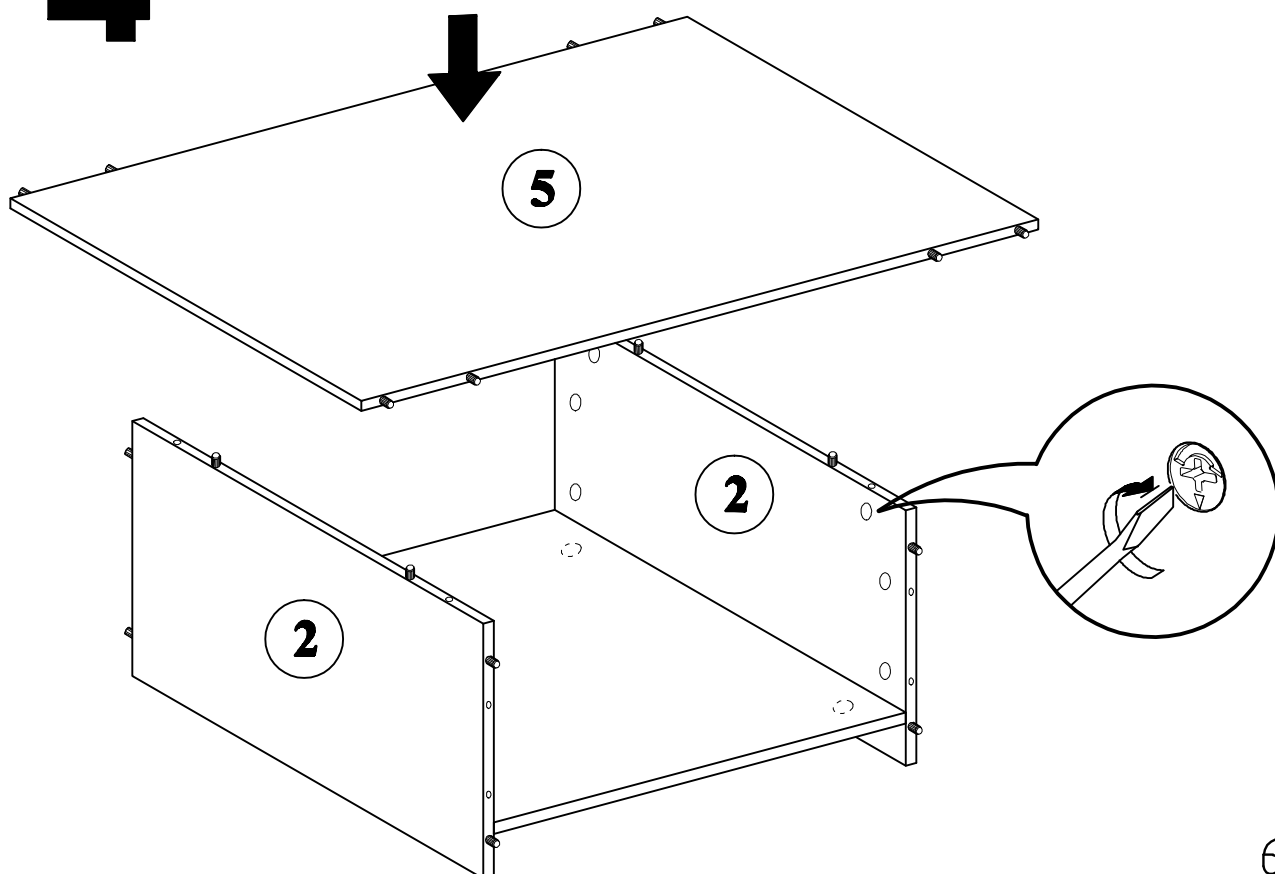
**2** x2



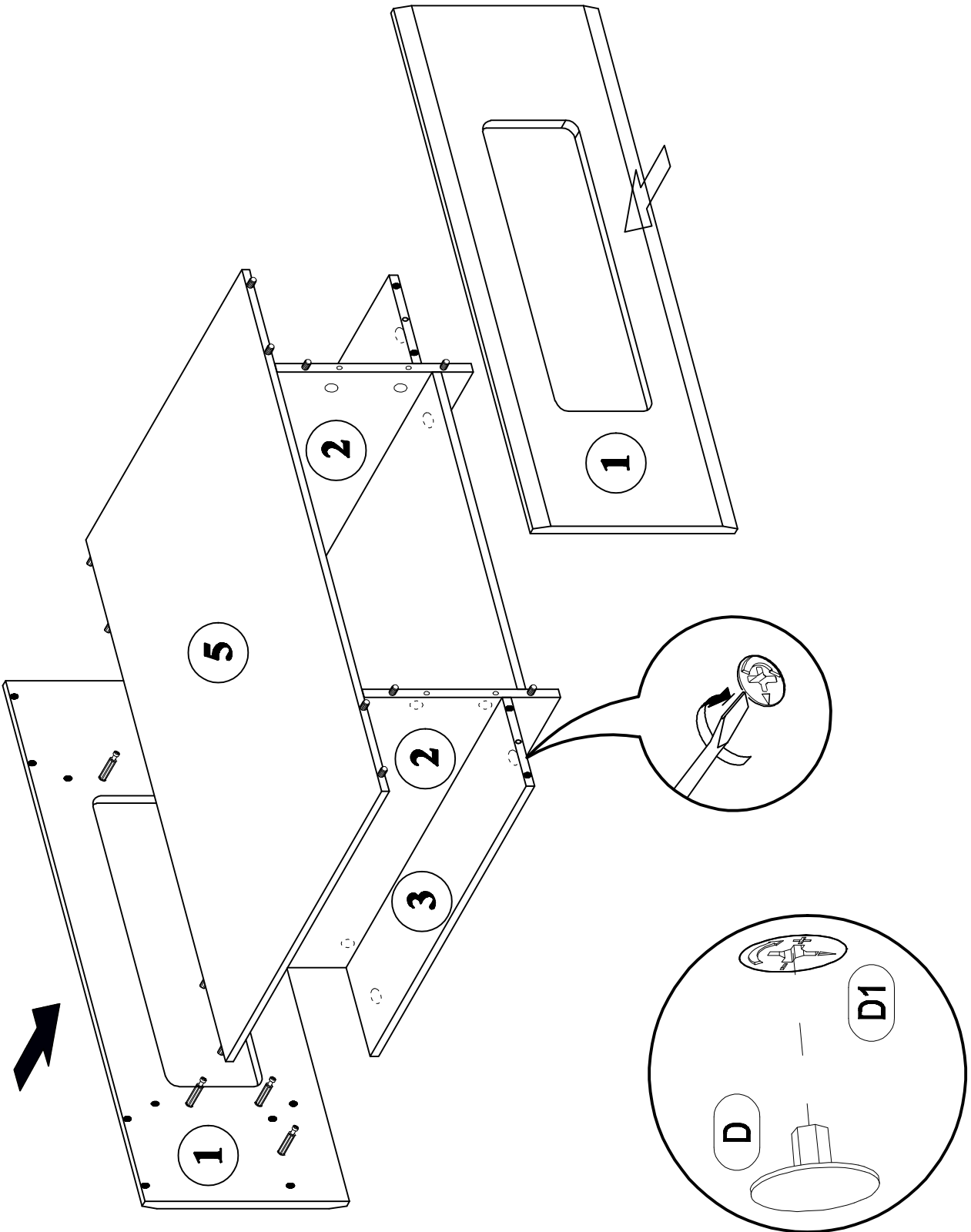
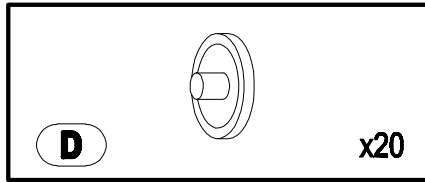
**3**



**4**



**5**



**ROSSI**  
**COFFEE TABLE**

