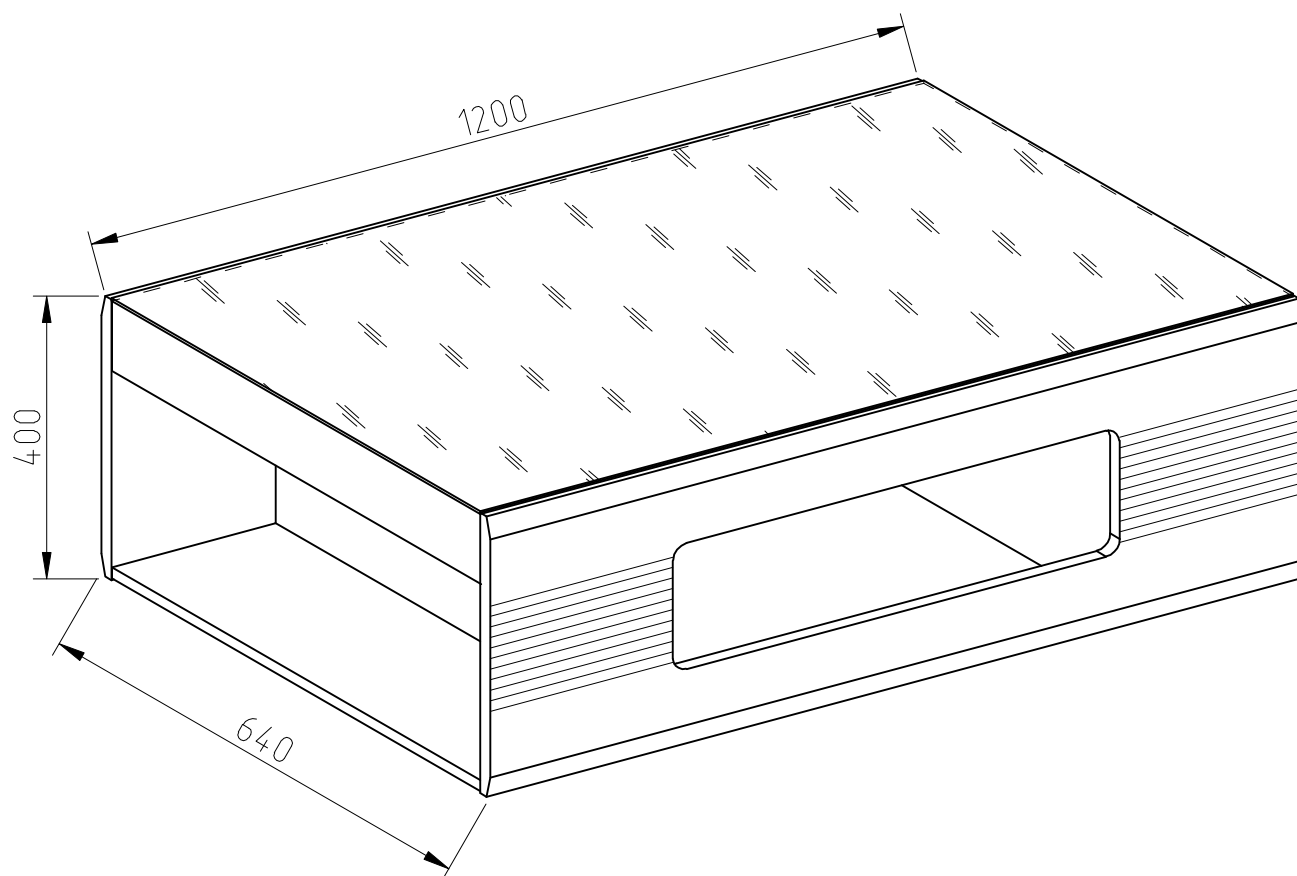


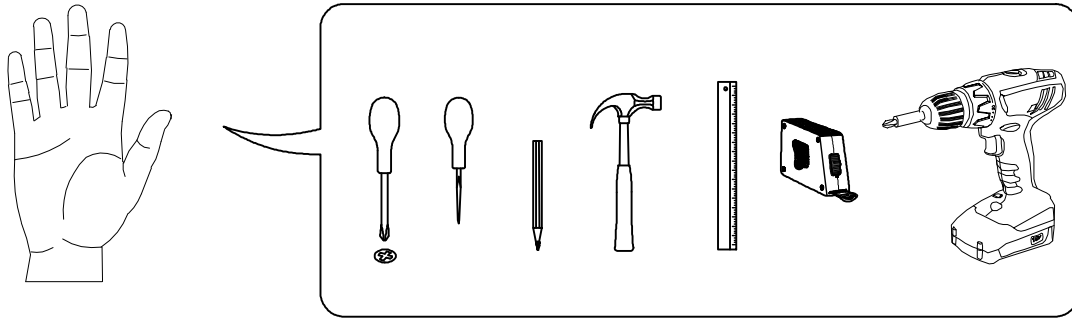
ADRIA





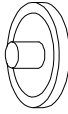
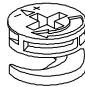
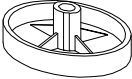
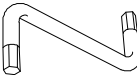

COFFEE TABLE

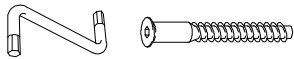


ADRIA

COFFEE TABLE

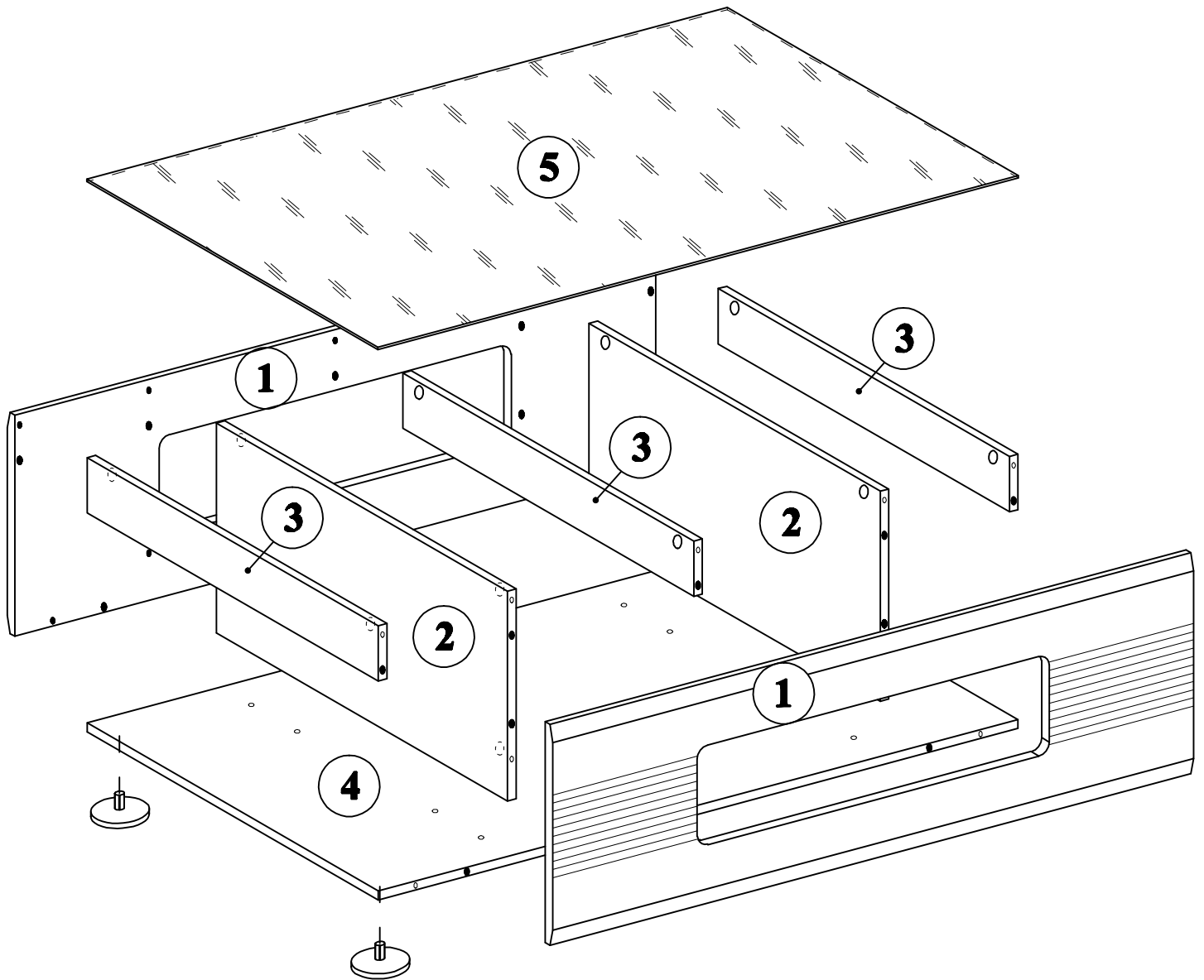
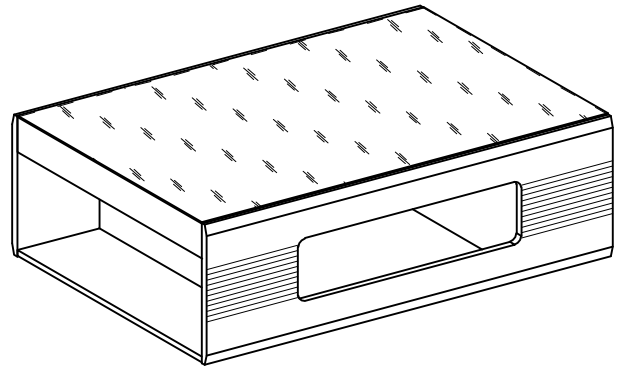


 A1 8*30mm x18	 B x8	 B1 6,3*50mm x8
 C1 5*30mm x18	 D x18	 D1 16mm x18
 K5 x6	 R4 N°4 x1	 U3 x15


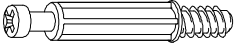

Nº	a*b	x	Nº → ...
1	1200x400	x2	1/1
2	608x380	x2	1/1
3	608x100	x3	1/1
4	1198x608	x1	1/1
5	1200x607	x1	1/1
		x1	1/1

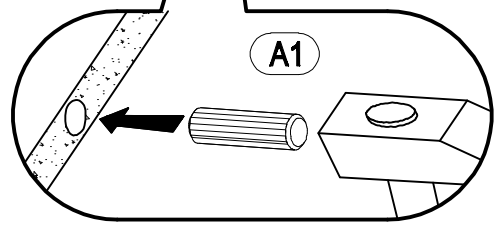
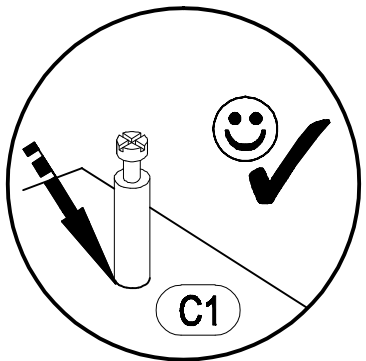
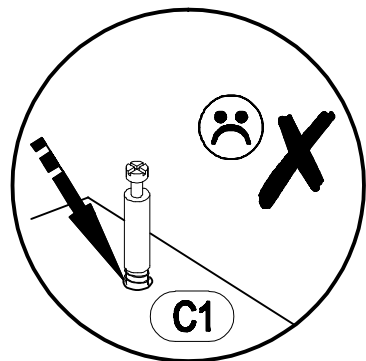
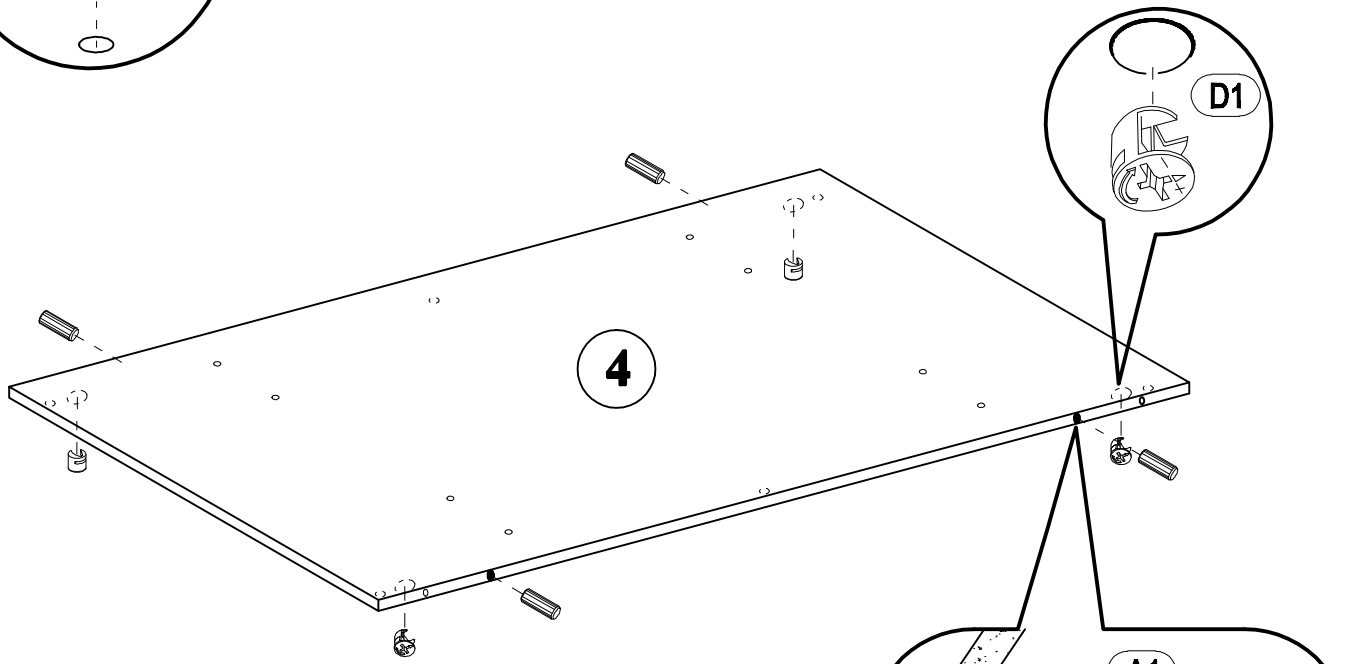
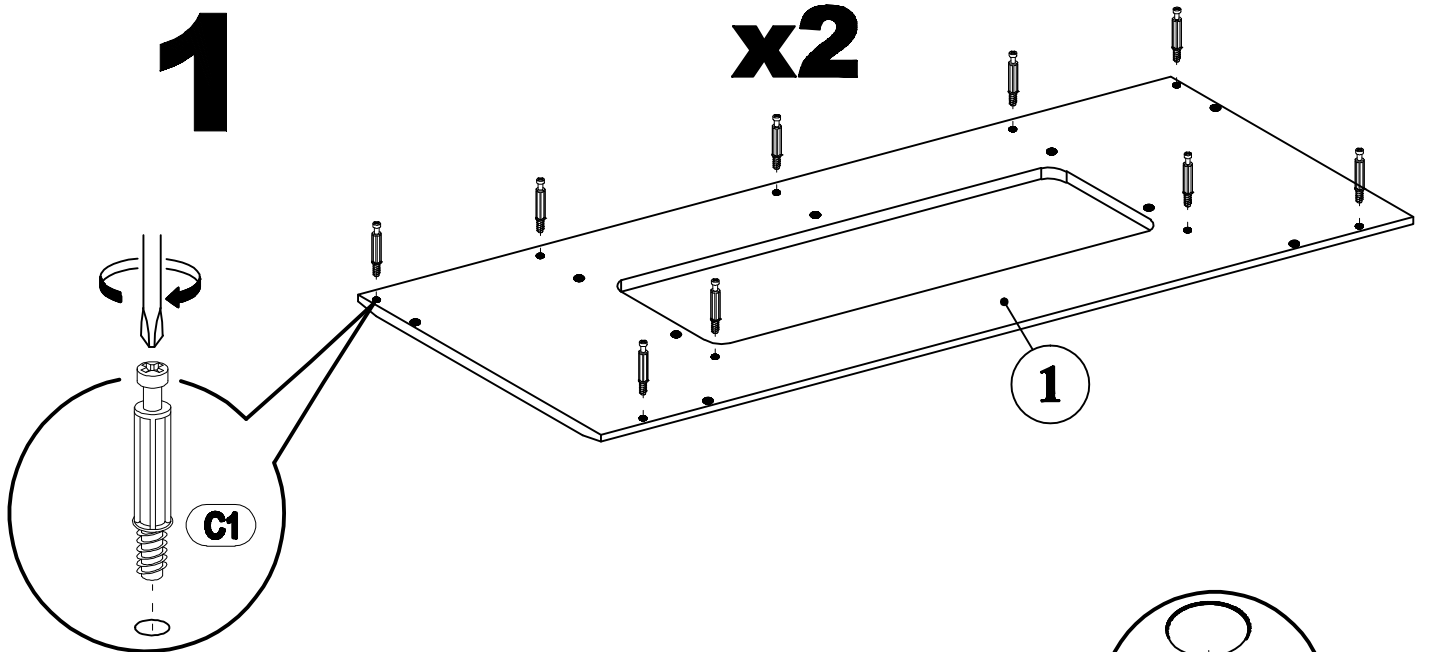
ADRIA

COFFEE TABLE


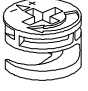


ADRIA COFFEE TABLE

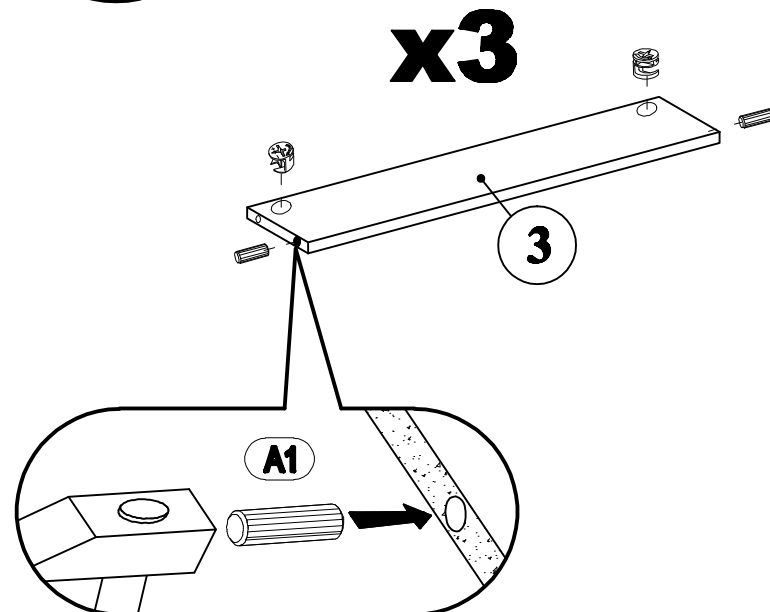
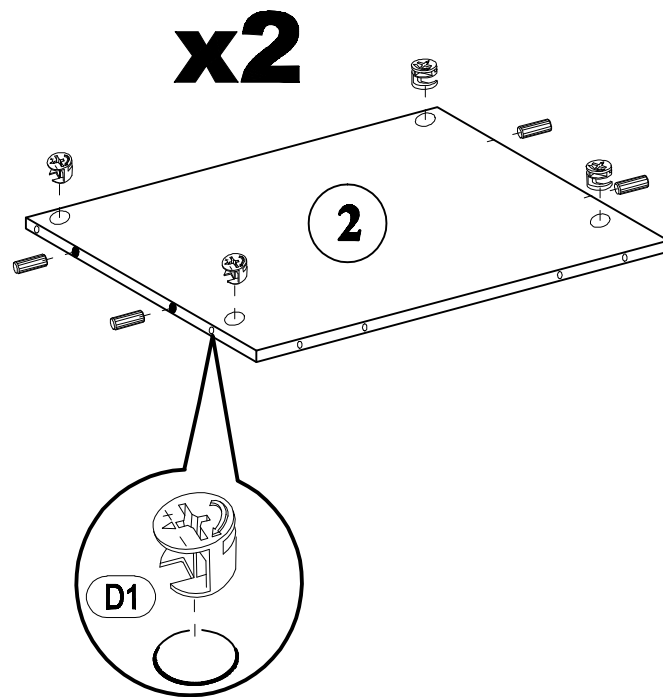
 A1 8*30mm x4	 C1 5*30mm x18	 D1 16mm x4
--	---	--



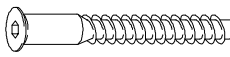
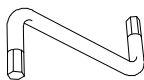
ADRIA
COFFEE TABLE

 A1 8*30mm x14	 D1 16mm x14
---	---

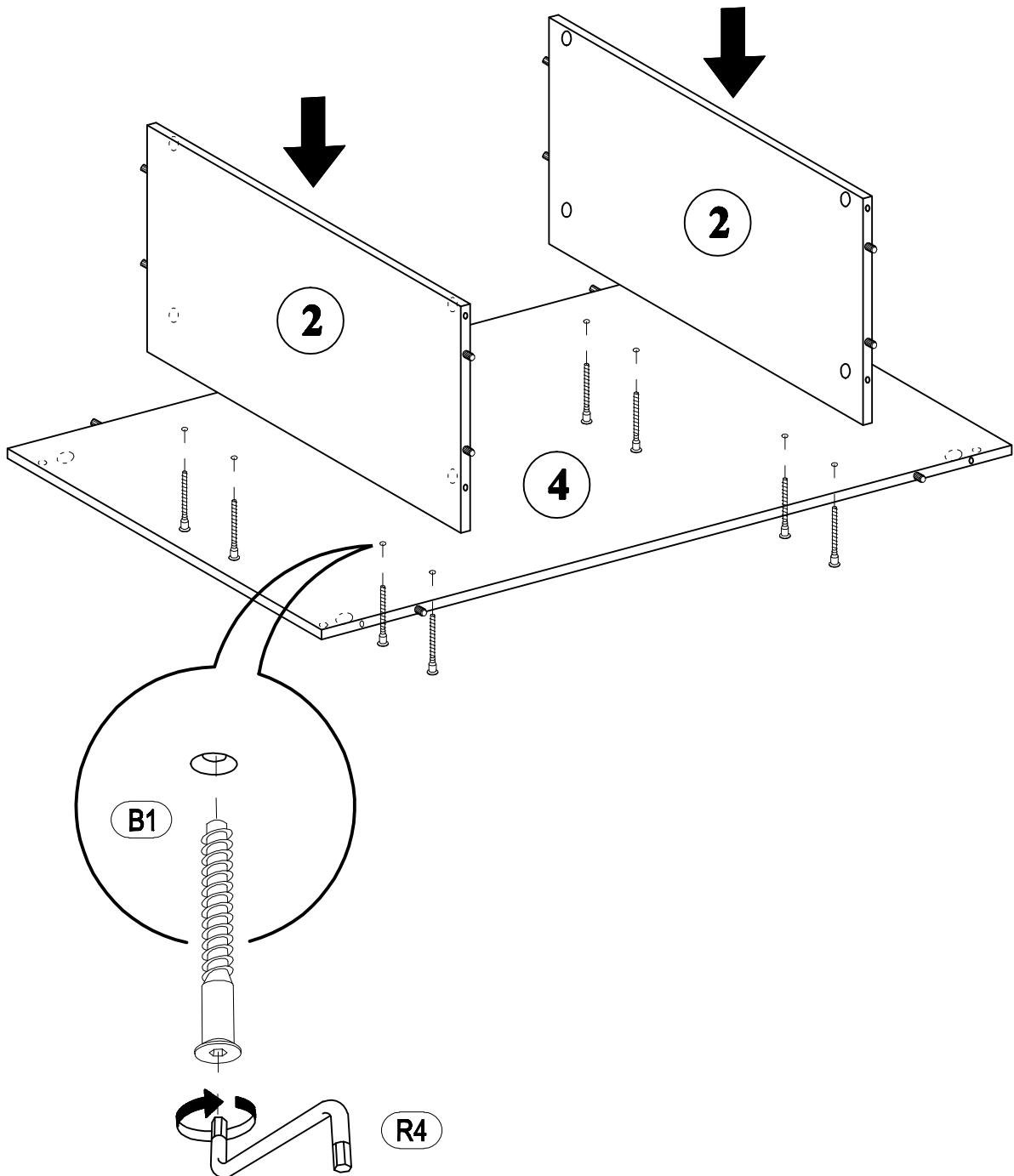
2




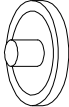
ADRIA
COFFEE TABLE

 B1 6,3*50mm x8	 R4 N°4 x1
--	---

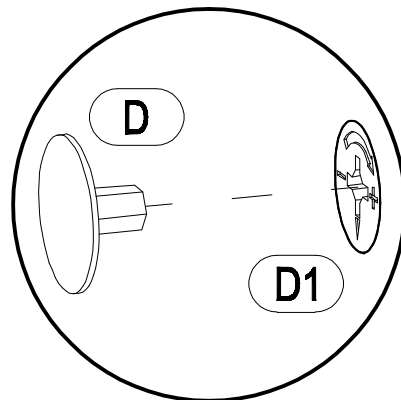
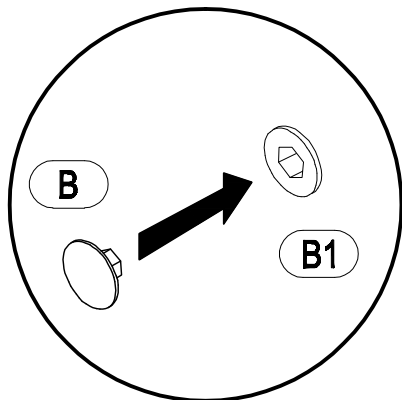
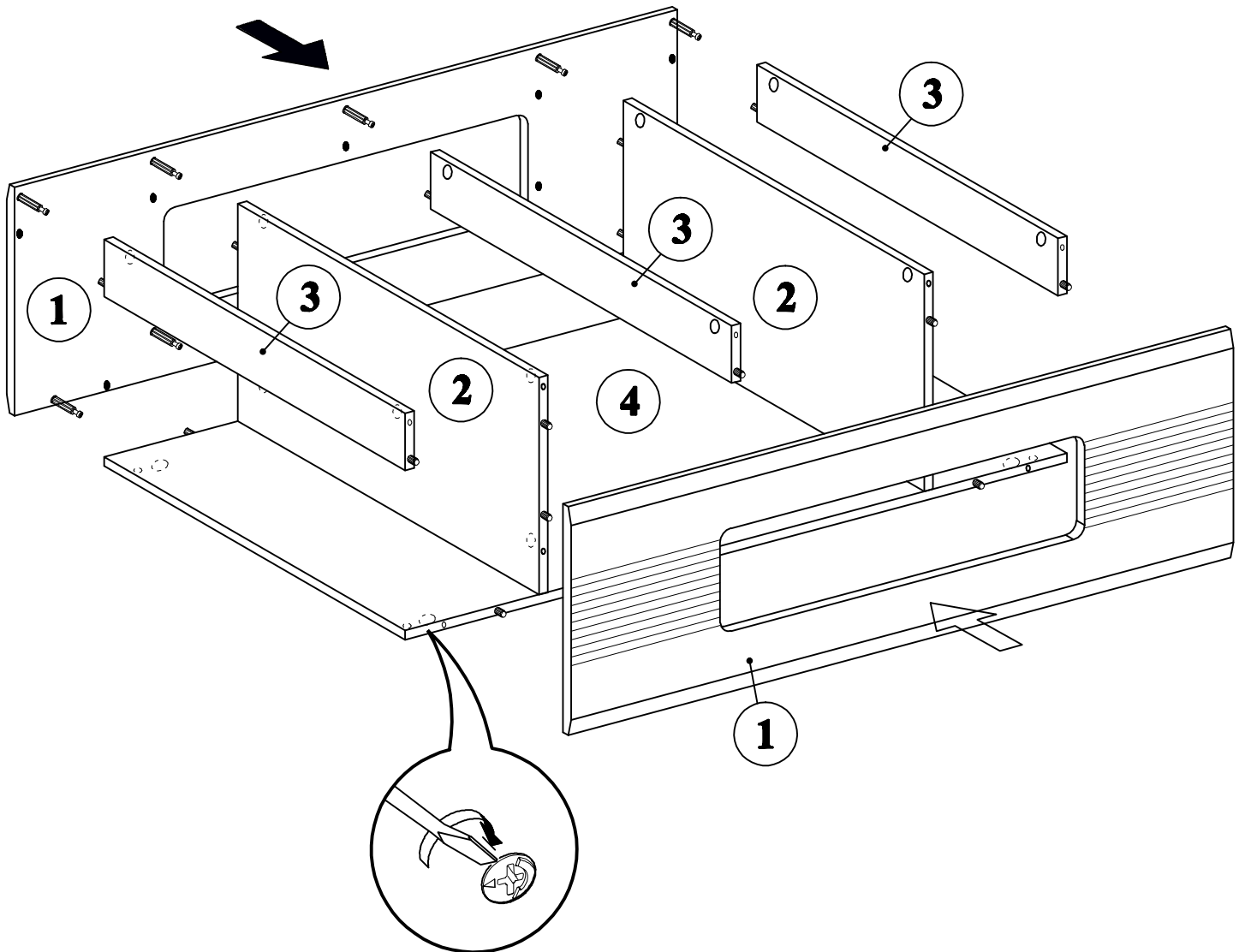
3

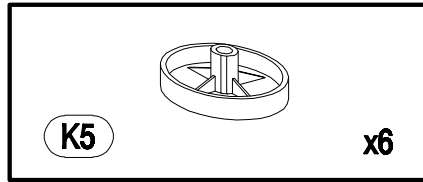


ADRIA COFFEE TABLE

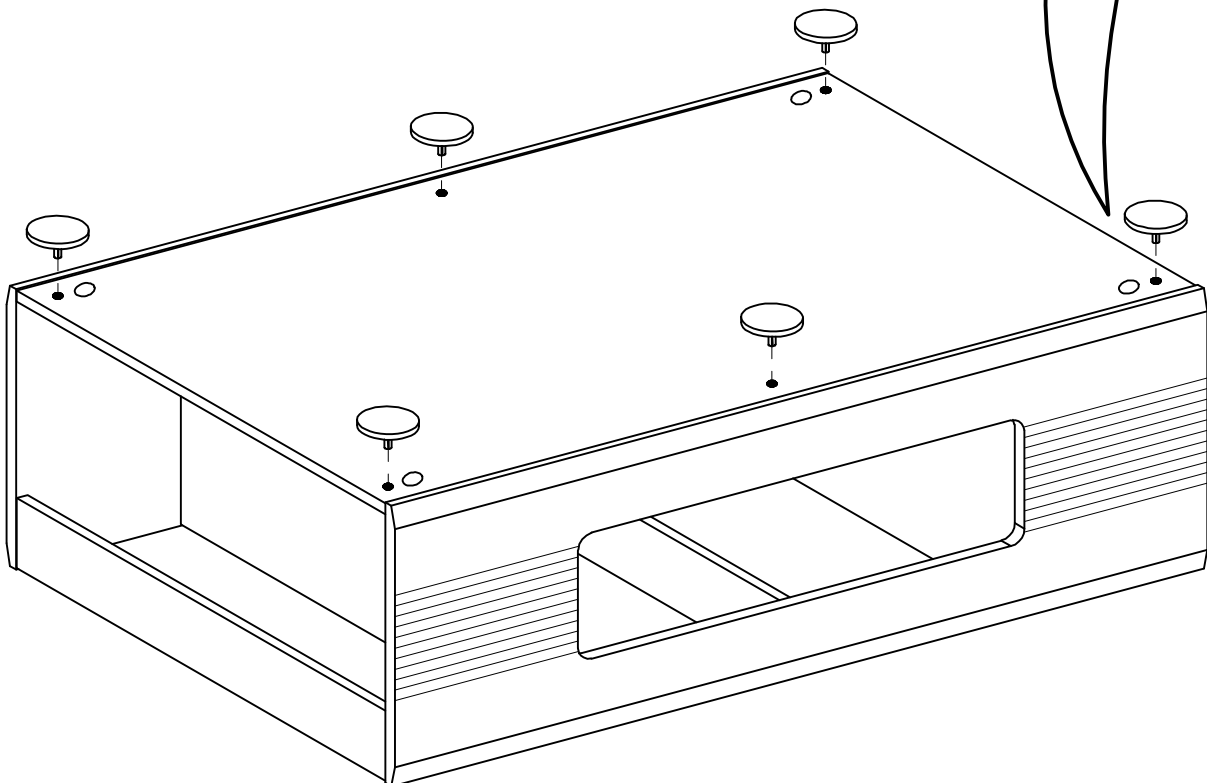
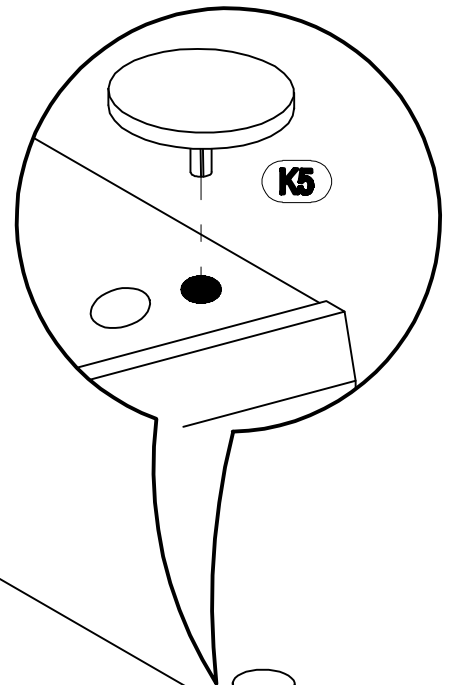
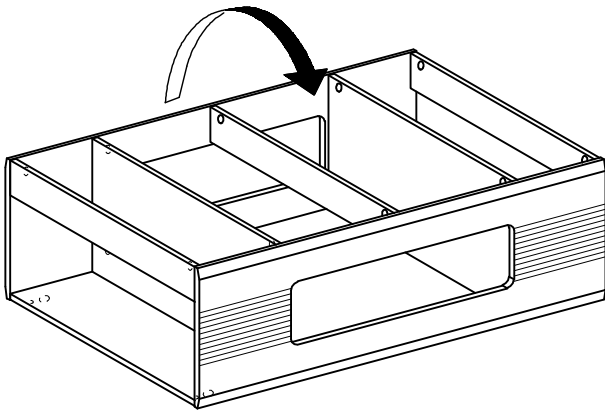
	x8		x18
---	----	---	-----

4



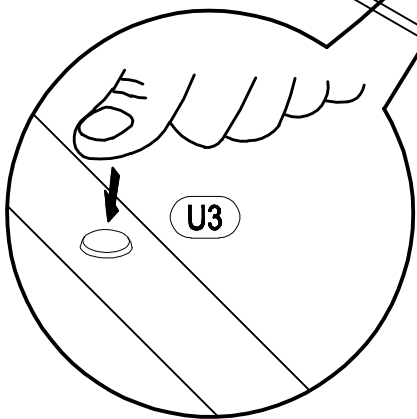
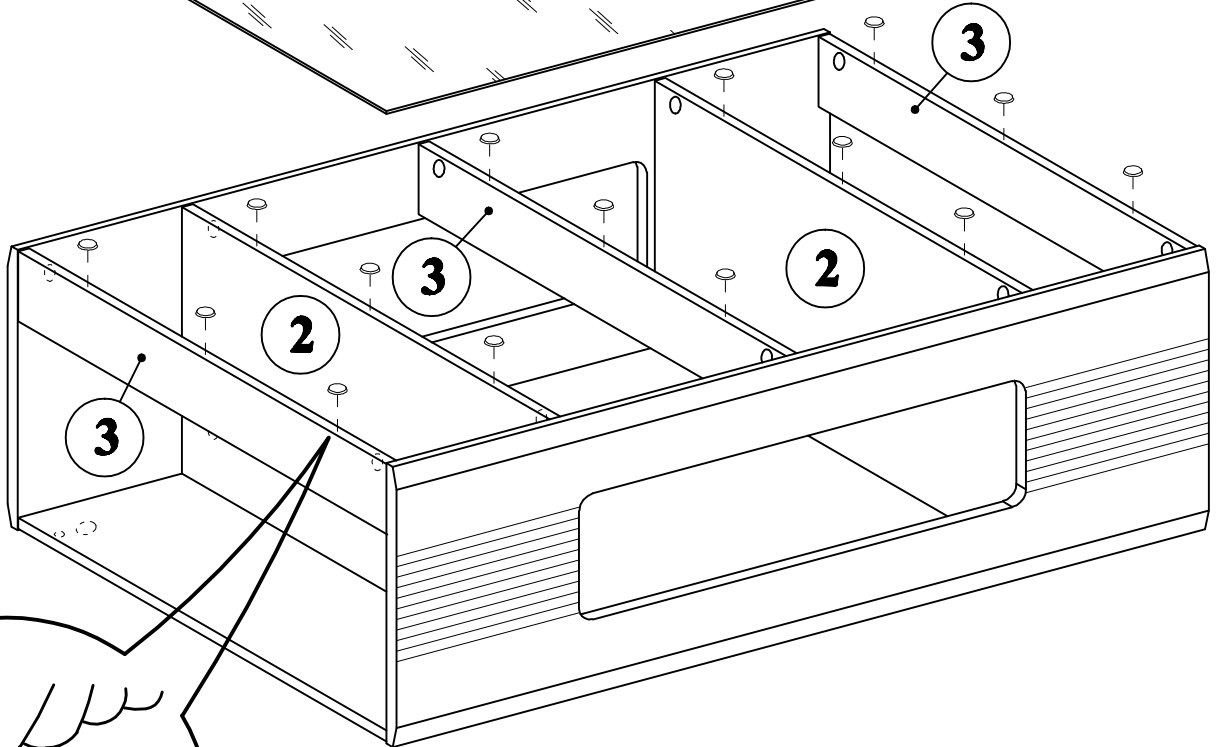
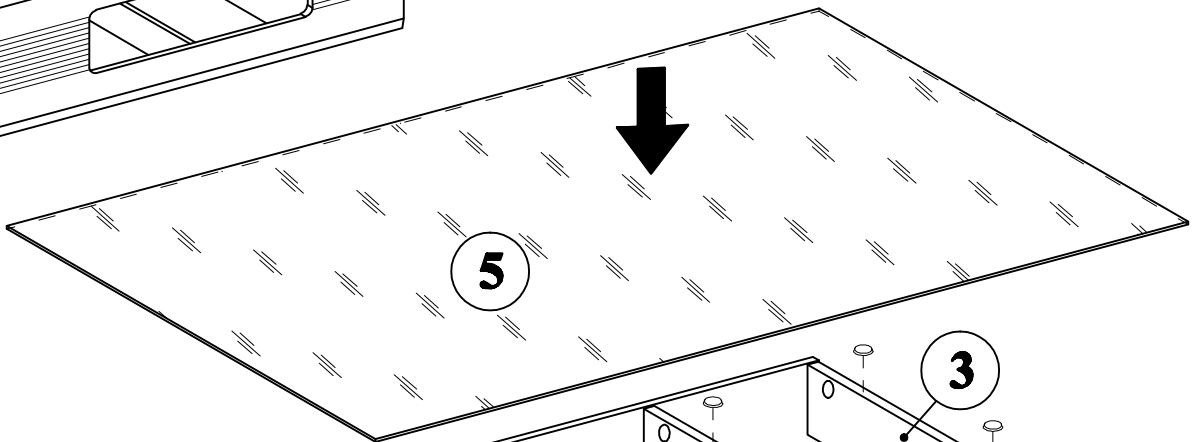
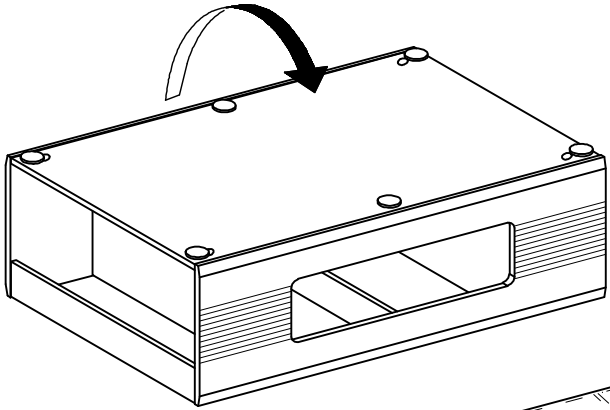
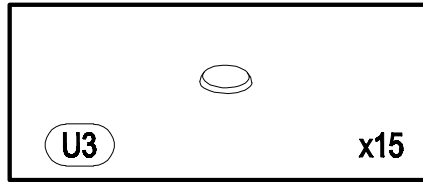


5



ADRIA
COFFEE TABLE

6



ADRIA
COFFEE TABLE

7

