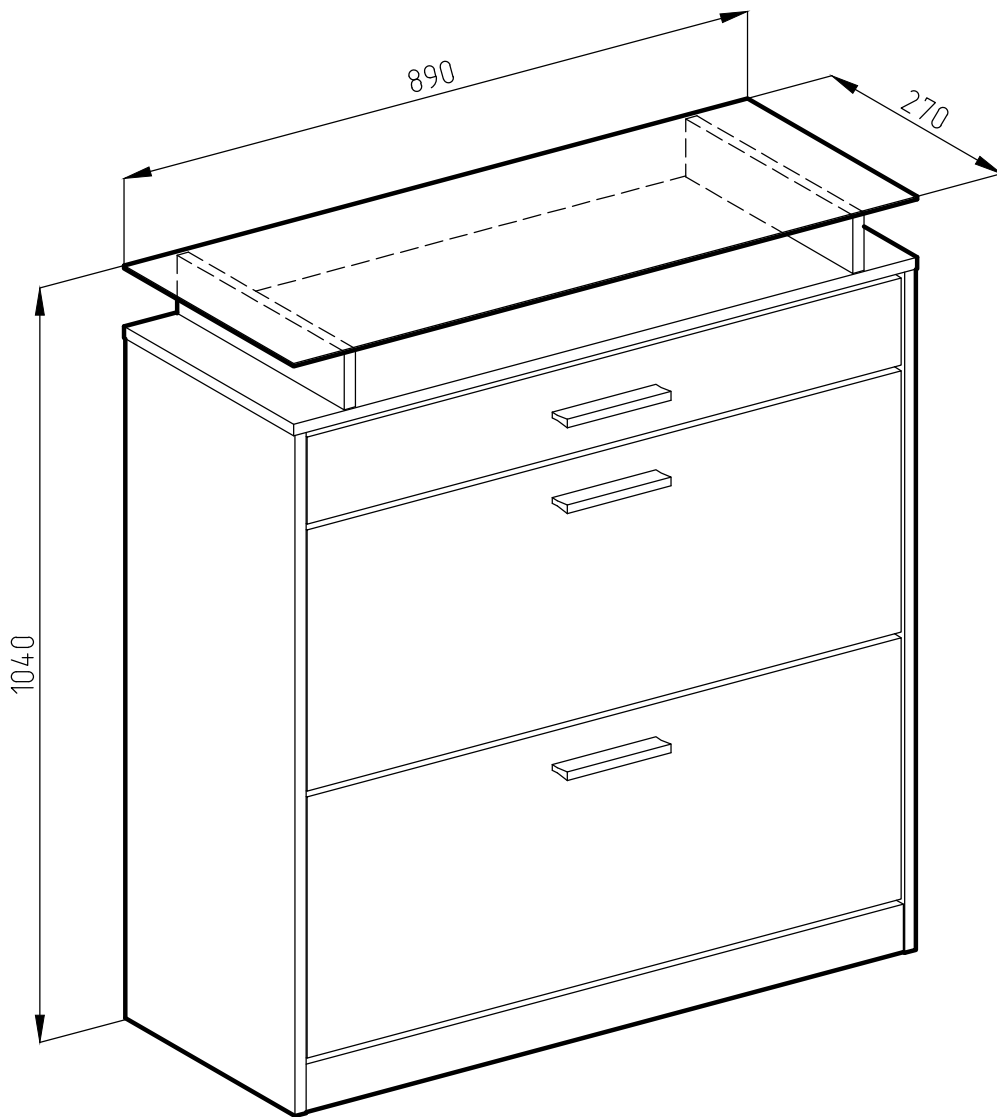
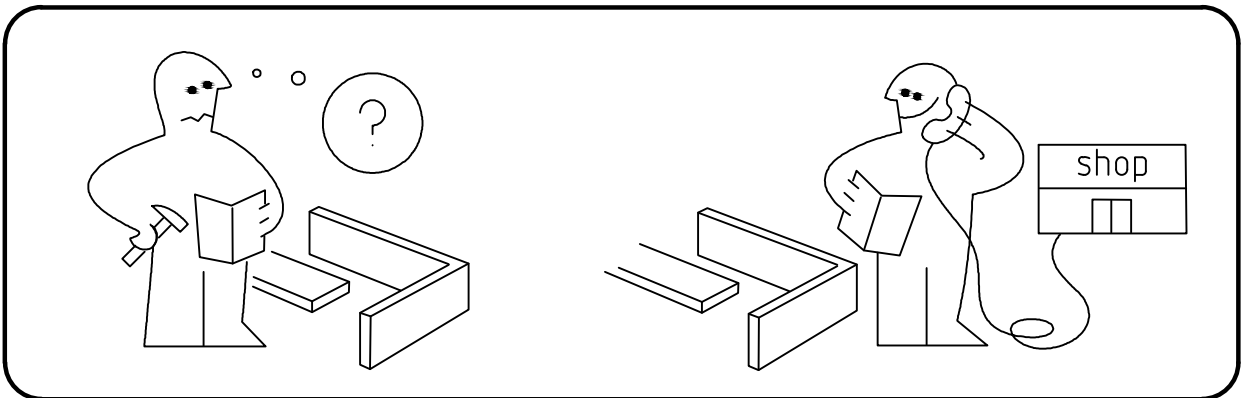
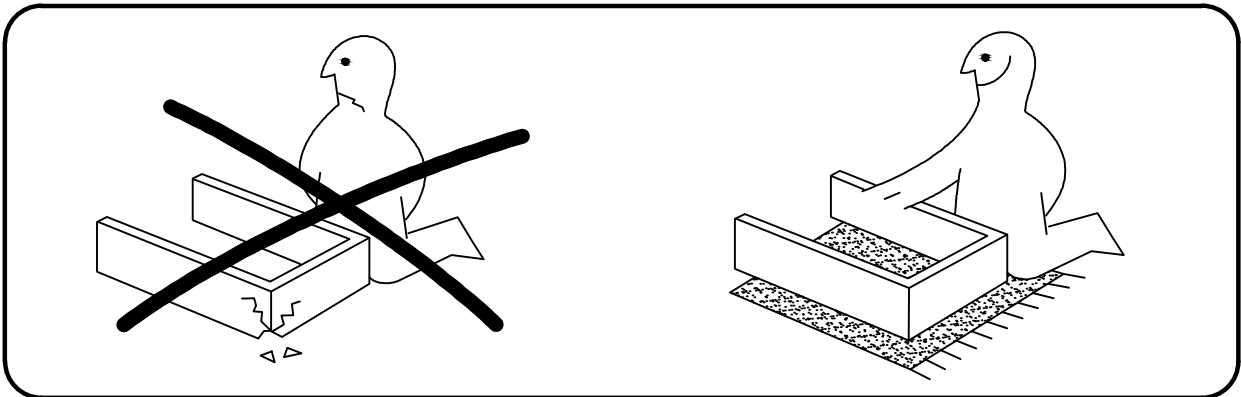
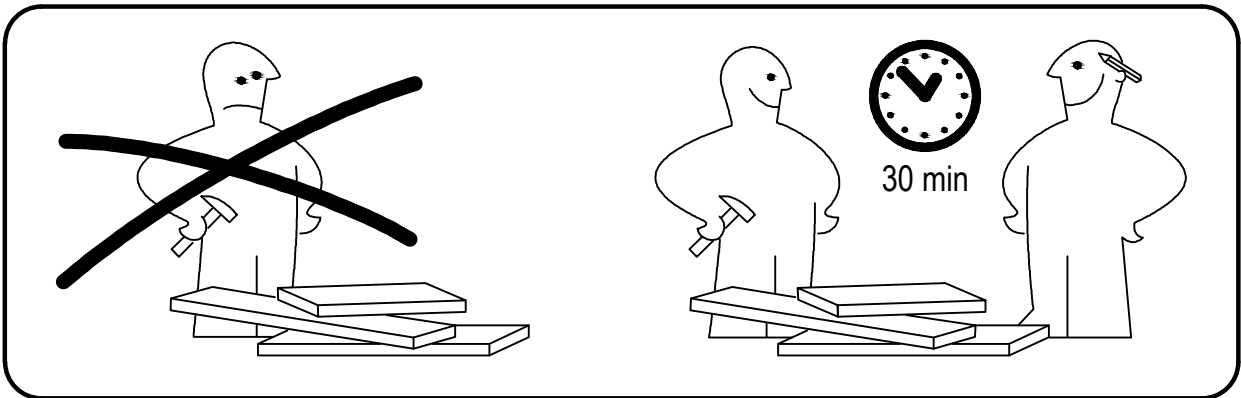
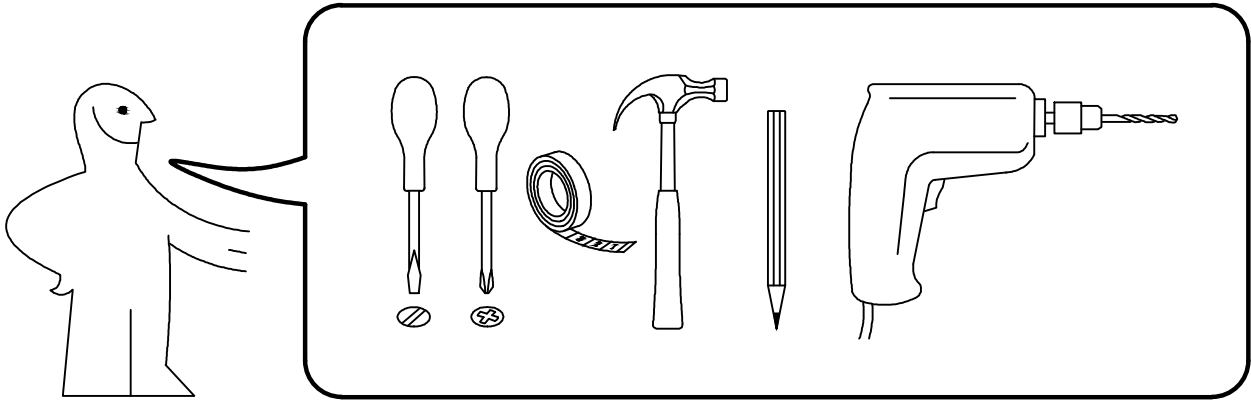
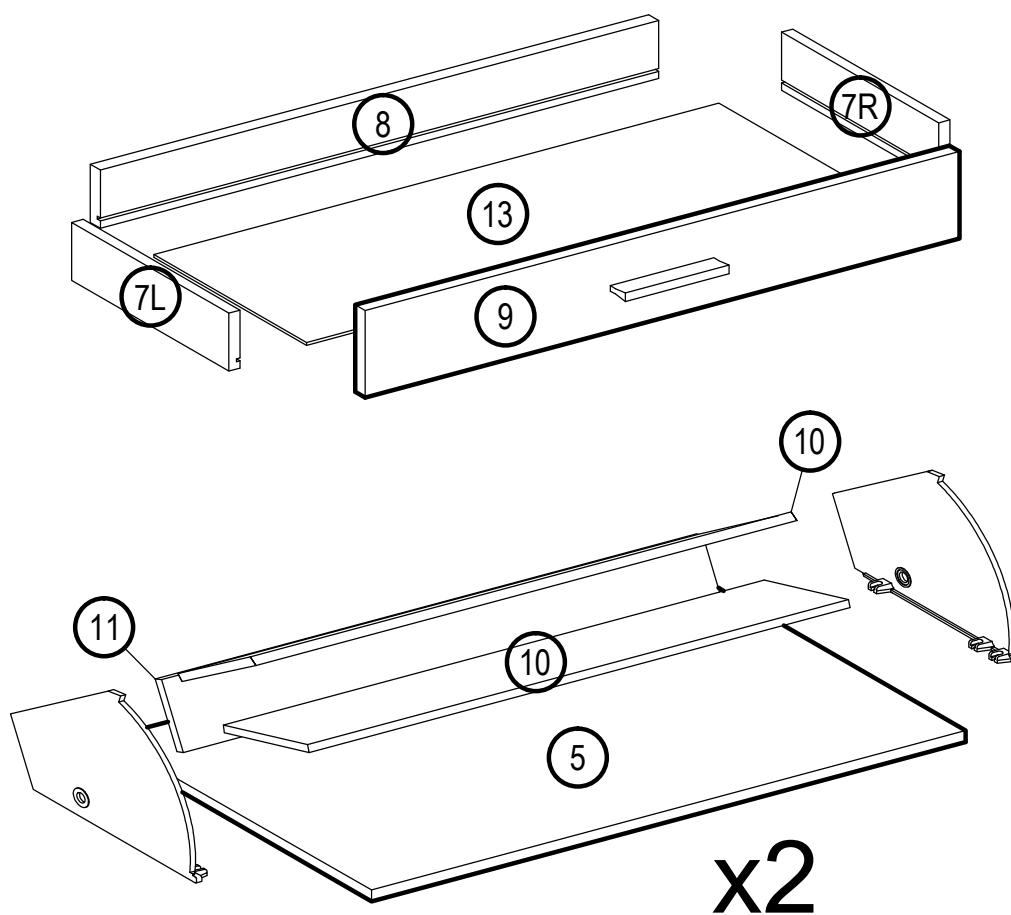


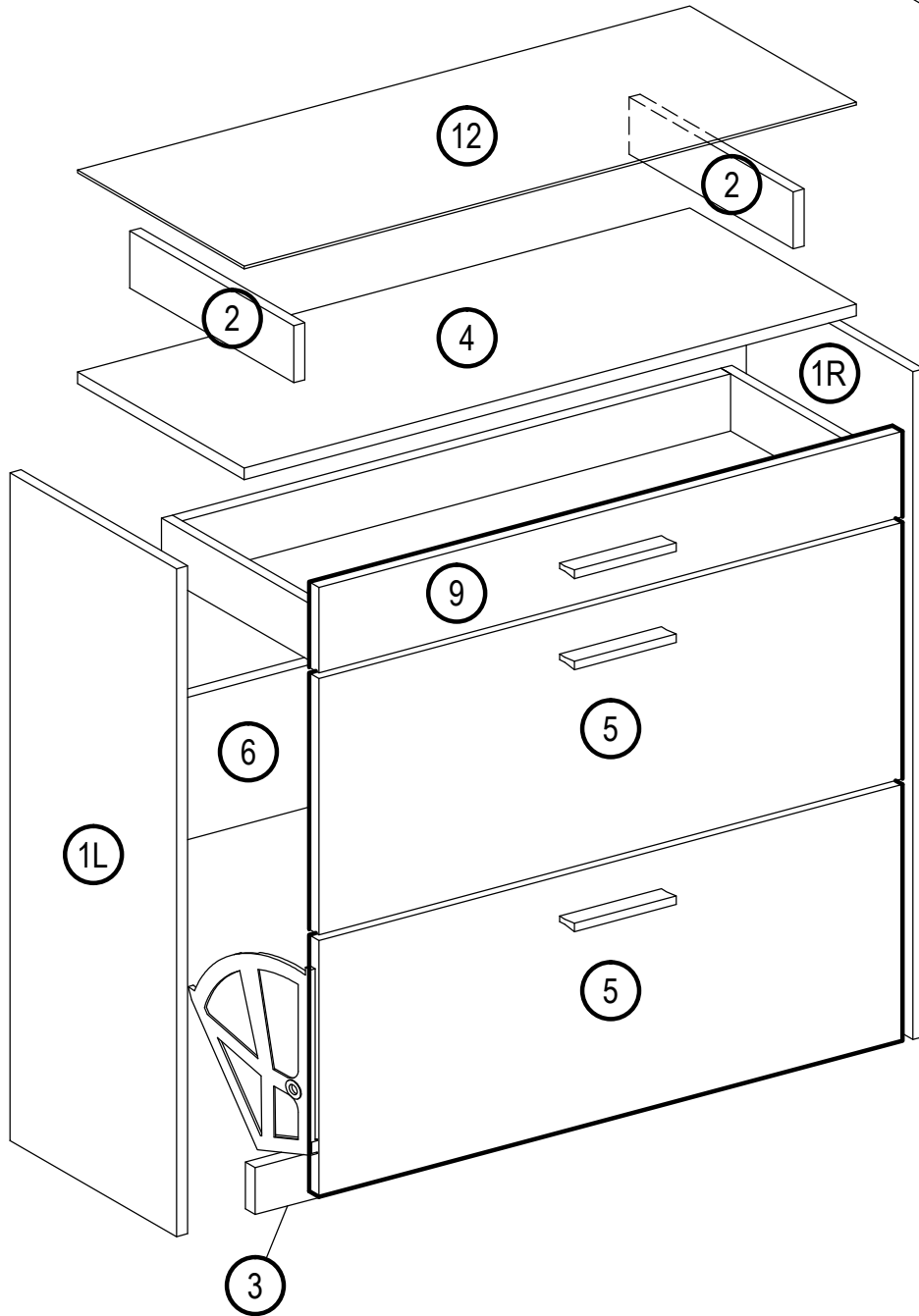
Alex LED

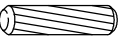


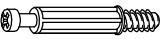



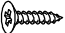
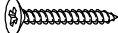



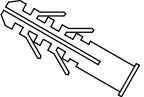
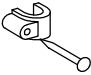

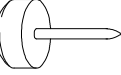

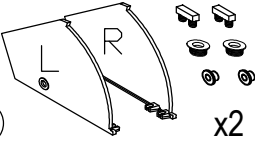
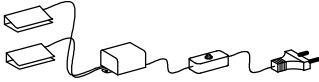
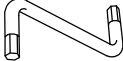



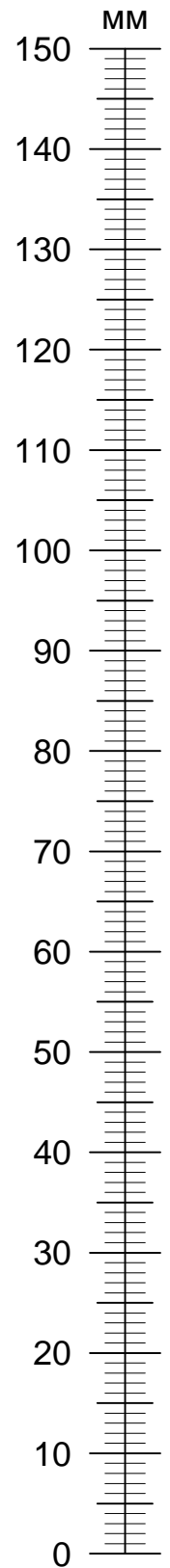


№	a*b	x	№	a*b	x
1L,1R	938x270	2	8	797x80	1
2	80x262	2	9	848x120	1
3	853x66	1	10	842x142	4
4	890x270	1	11	842x90	2
5	848x360	2	12	890x270	1
6	853x200	1	13	806x243	1
7L,7R	250x80	2			


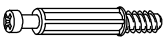





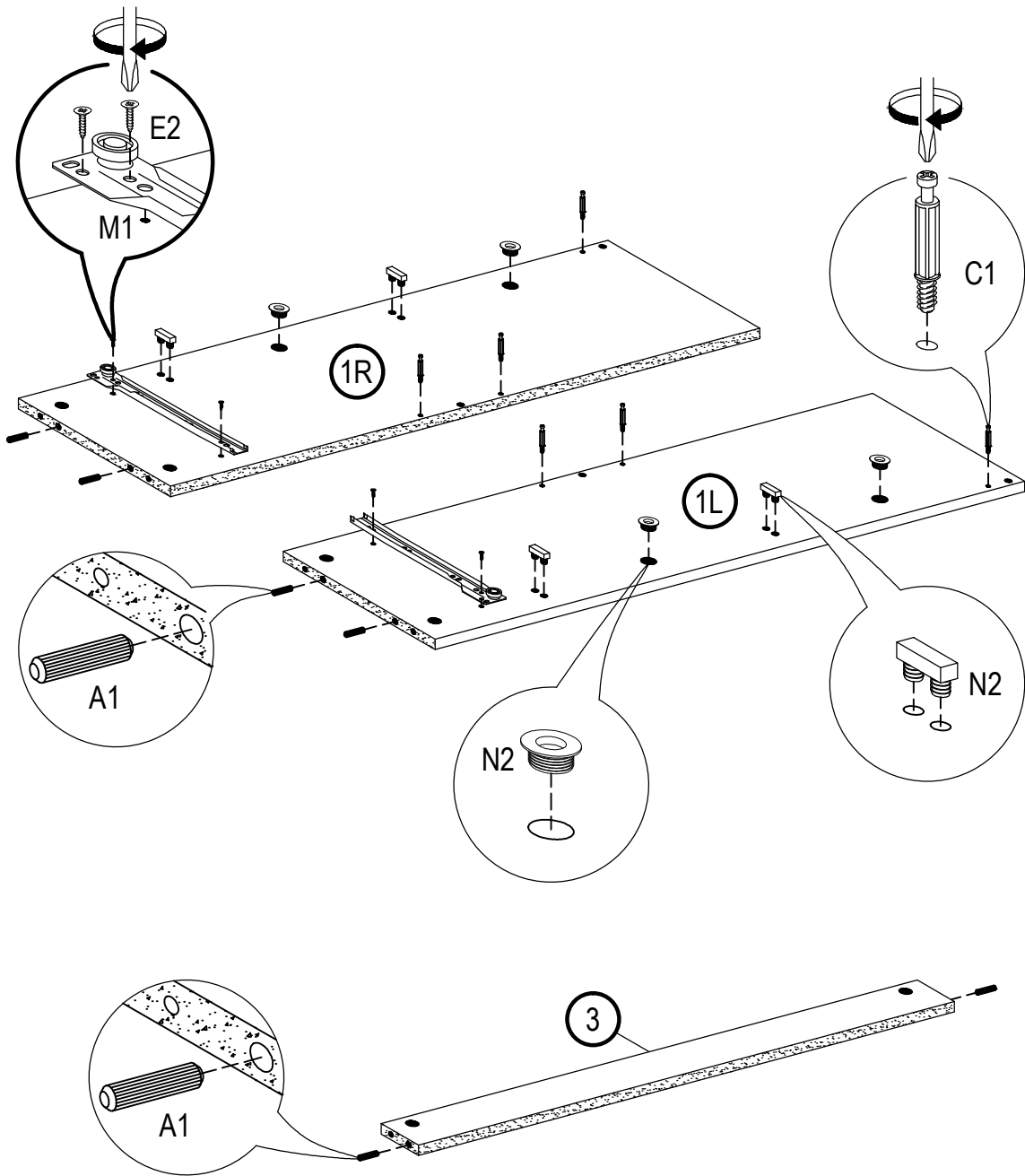


 A1 8*30mm x16	 B x6	 B1 6,3*50mm x6
 C1 5*30mm x12	 D x12	 D1 15*13mm x12
 E2 3*15mm x14	 E5 3,5*16mm x12	 E9 4*30mm x6
 E16 6*60mm x1	 F1 6,3*13mm x12	 F3 5,0*13mm x4
 H5 10*50mm x1	 H8 x4	 I10 x3
 K1 x4	 M1 250mm x1	 N2 x2
 T1 x1	 R4 x1	 U3 x4


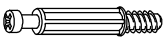

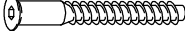


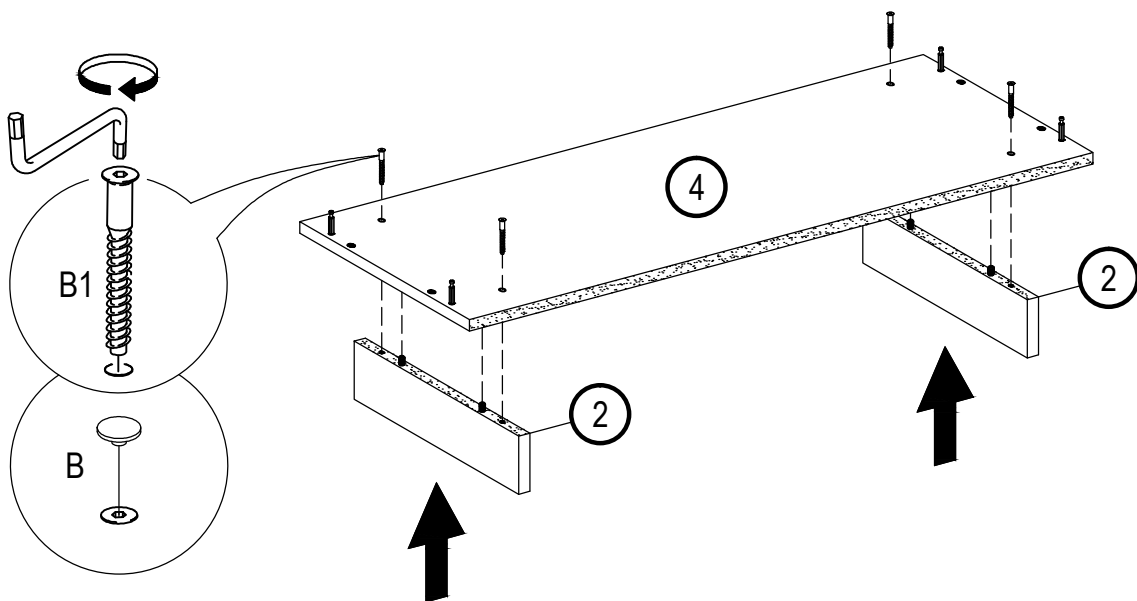
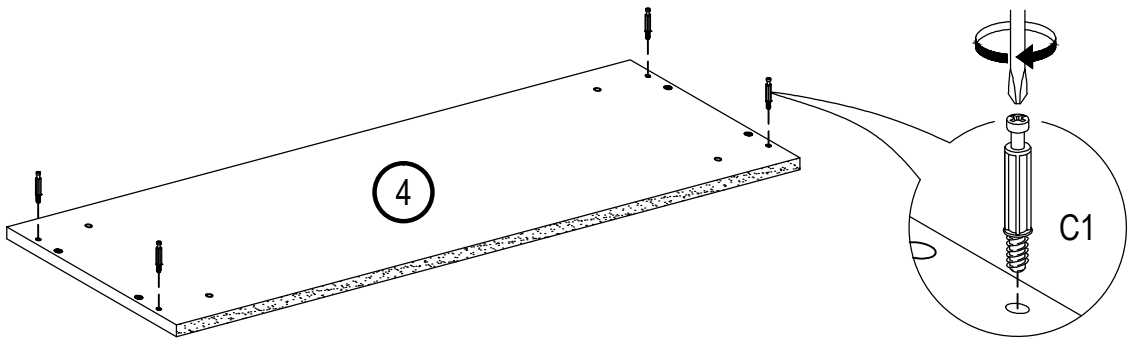
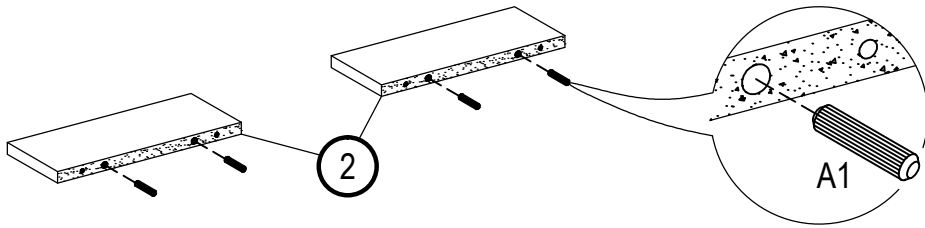
1

 (A1) 8*30mm x6	 (C1) 5*30mm x6	 (E2) 3*15mm x6
 (M1) 250mm x1	 (N2) x2	


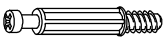


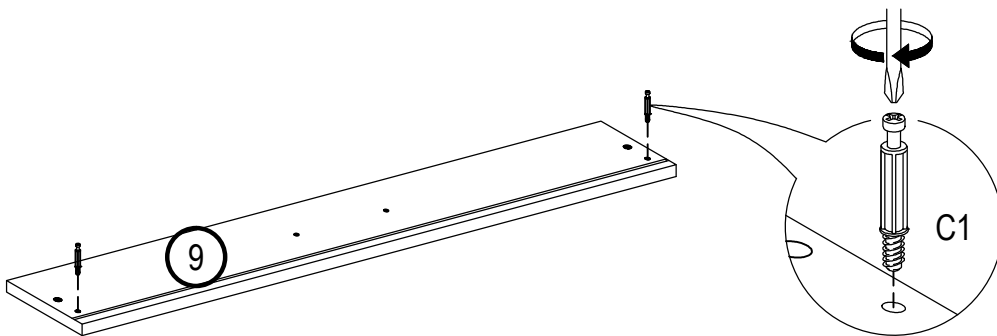
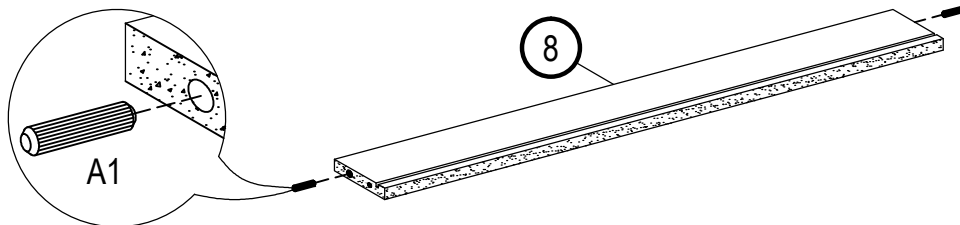
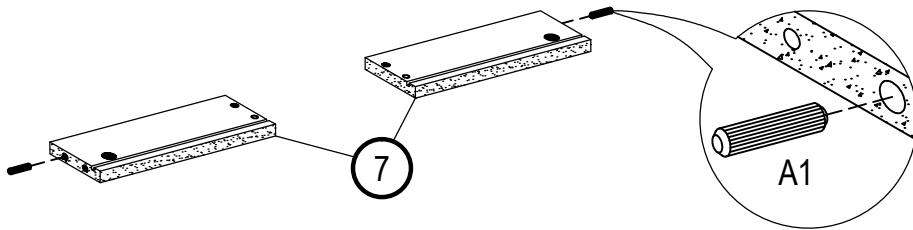
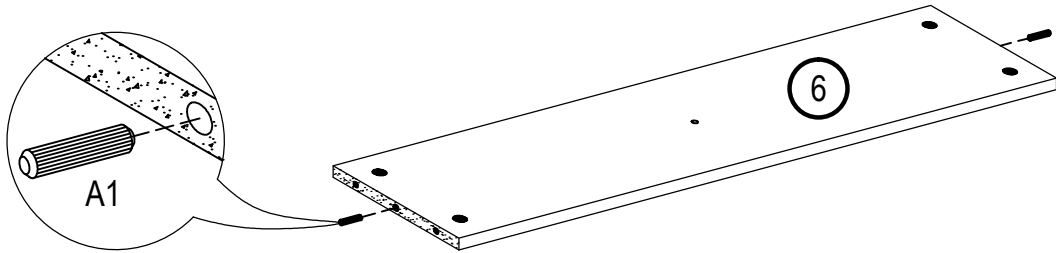
2

 A1 8*30mm x4	 C1 5*30mm x4	 B x4
		 B1 6,3*50mm x4

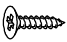

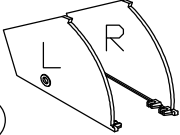


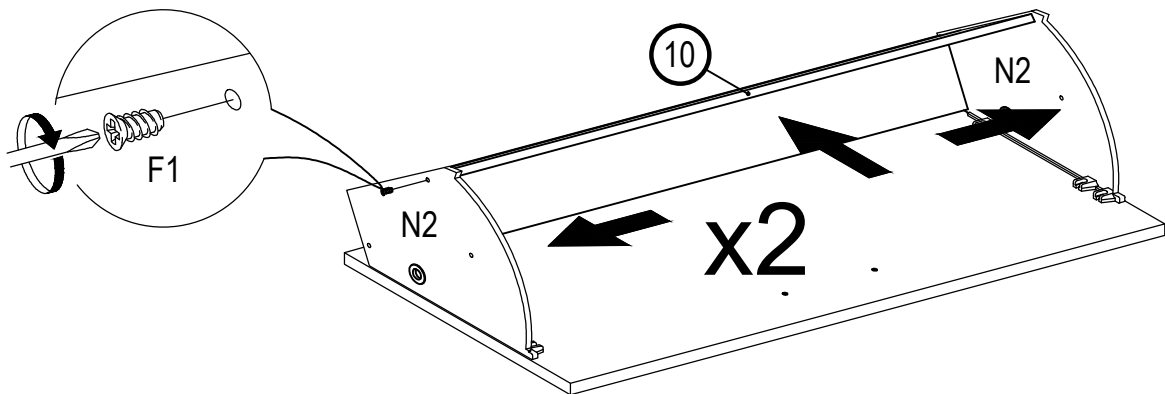
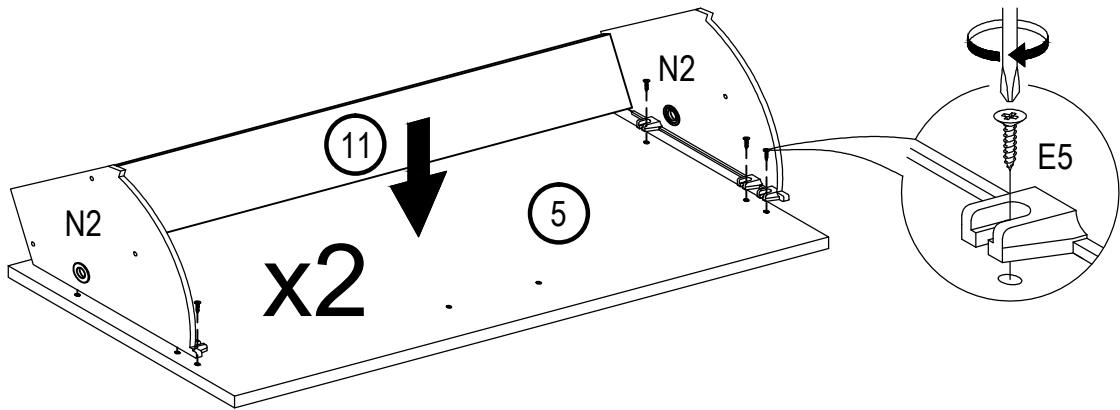
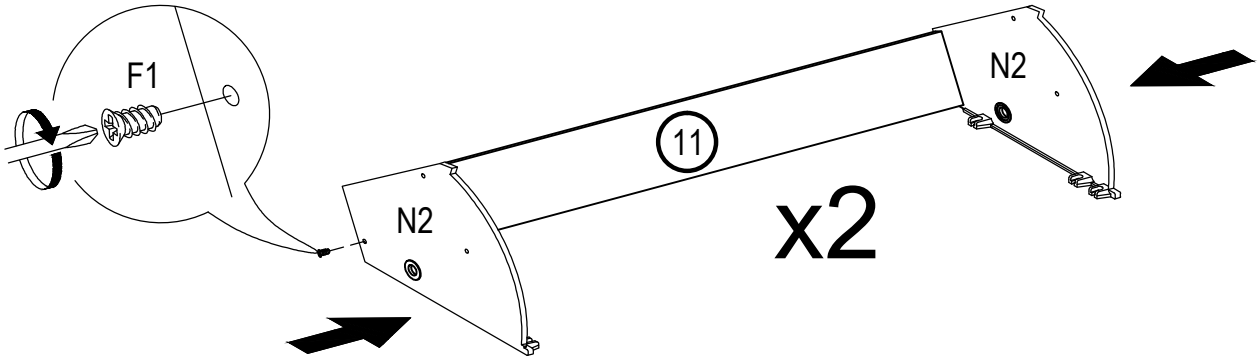
3

	
A1 8*30mm x6	C1 5*30mm x2







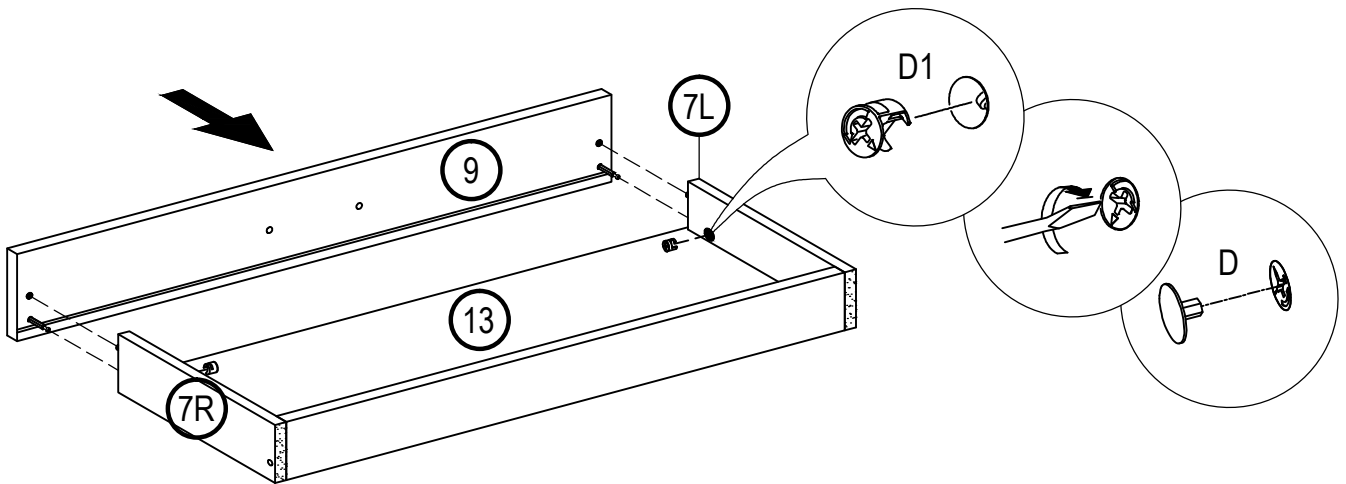
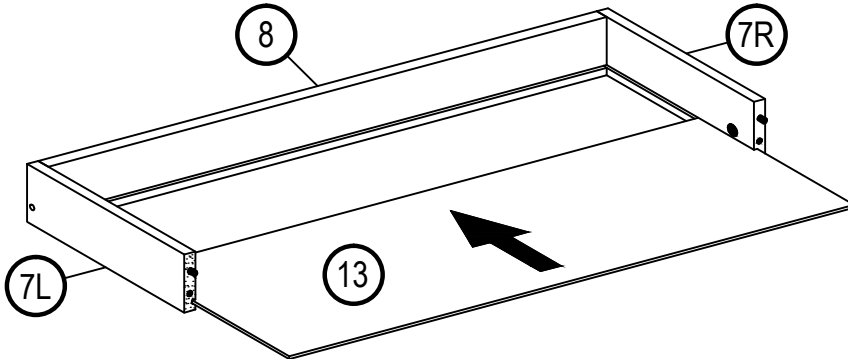
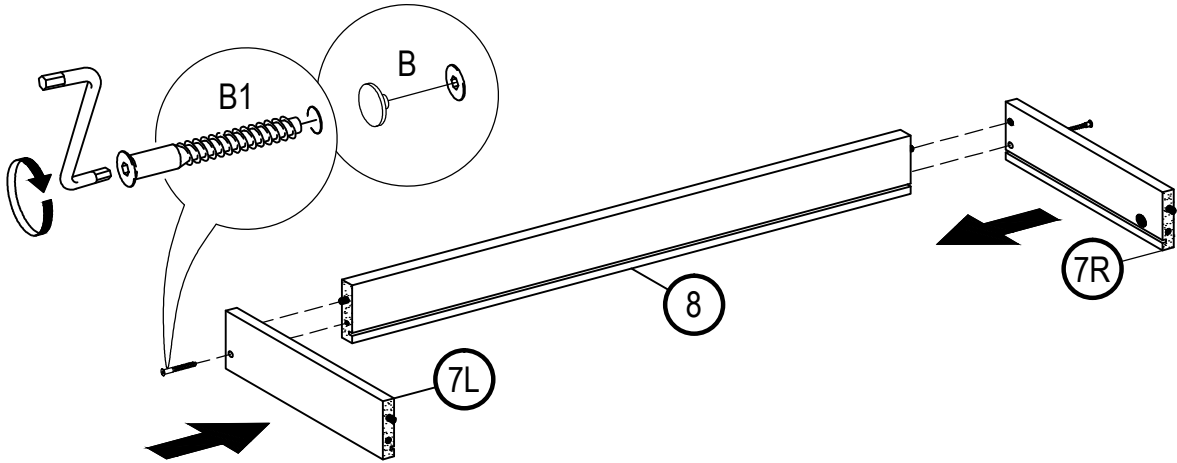
4

 E5 3,5*16mm x12	 F1 6,3*13mm x8	 N2 x2
--	---	--


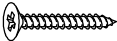

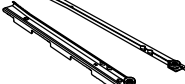


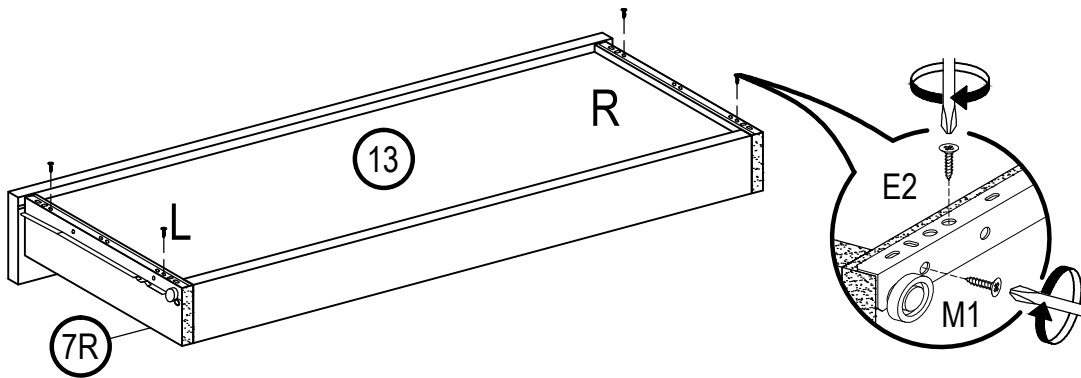
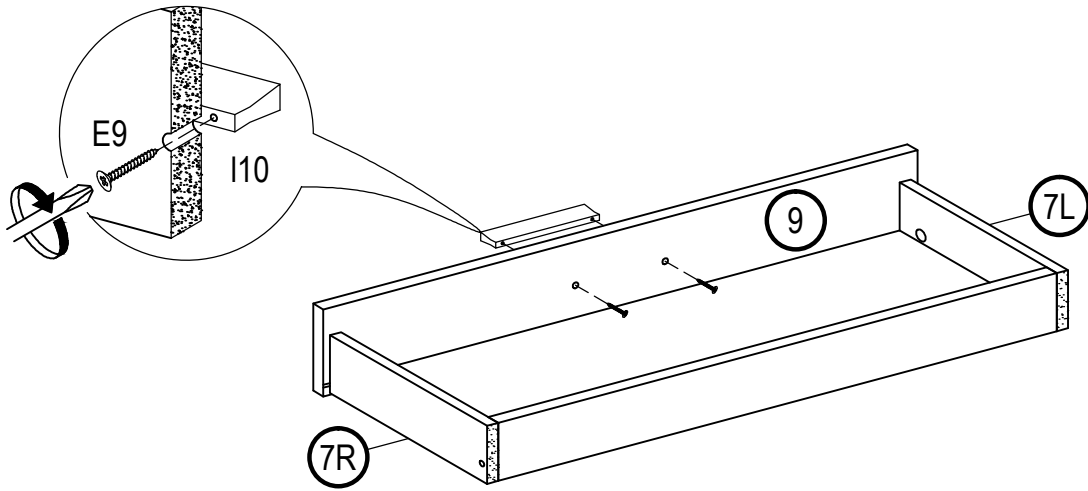
5

 B	x2	 B1	6,3*50mm	x2	 D	x2	
					 D1	15*13mm	x2

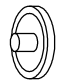



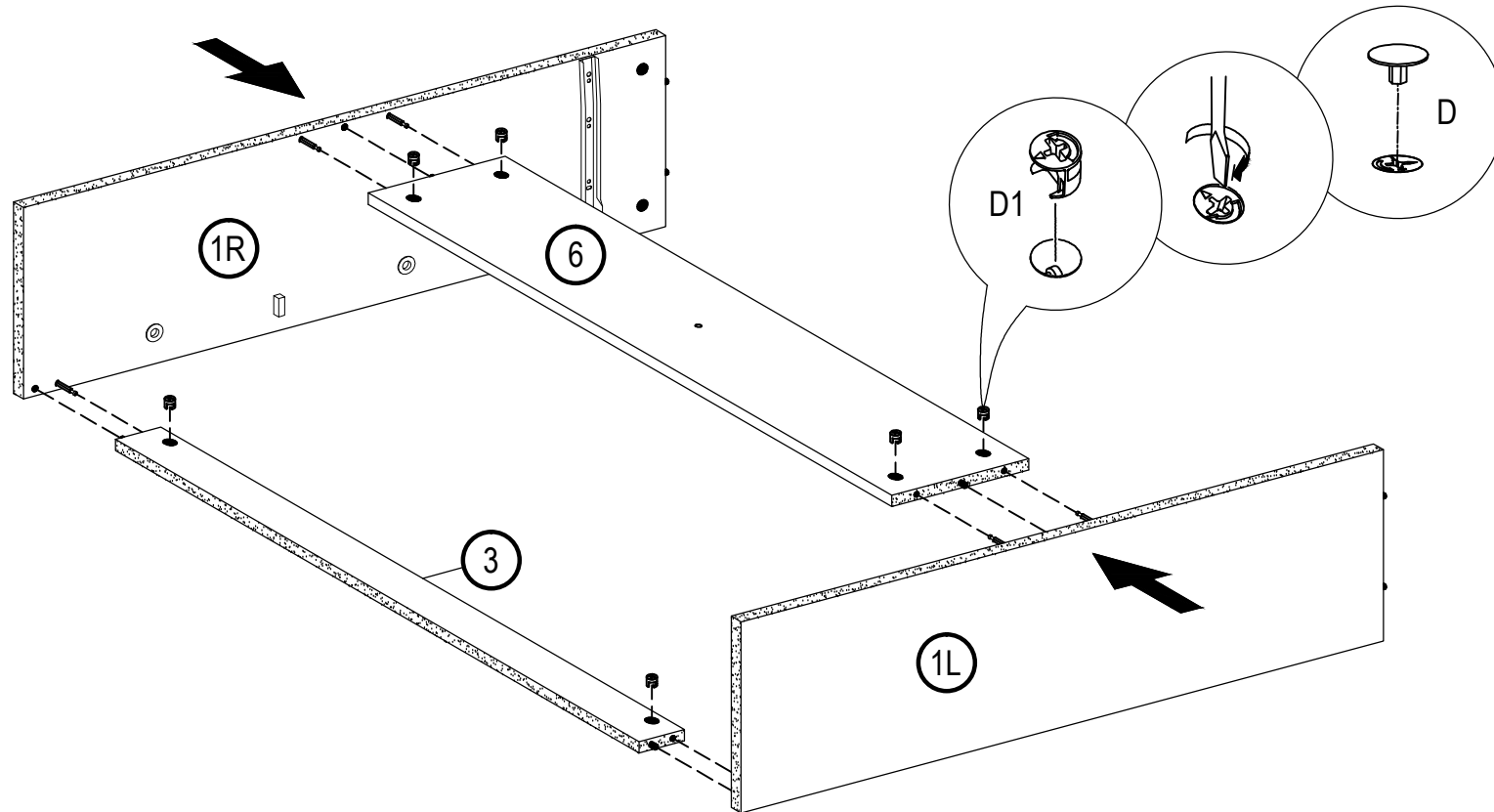
6

 E2 3*15mm x6	 E9 4*30mm x2	 I10 x1
		 M1 250mm x1

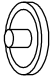



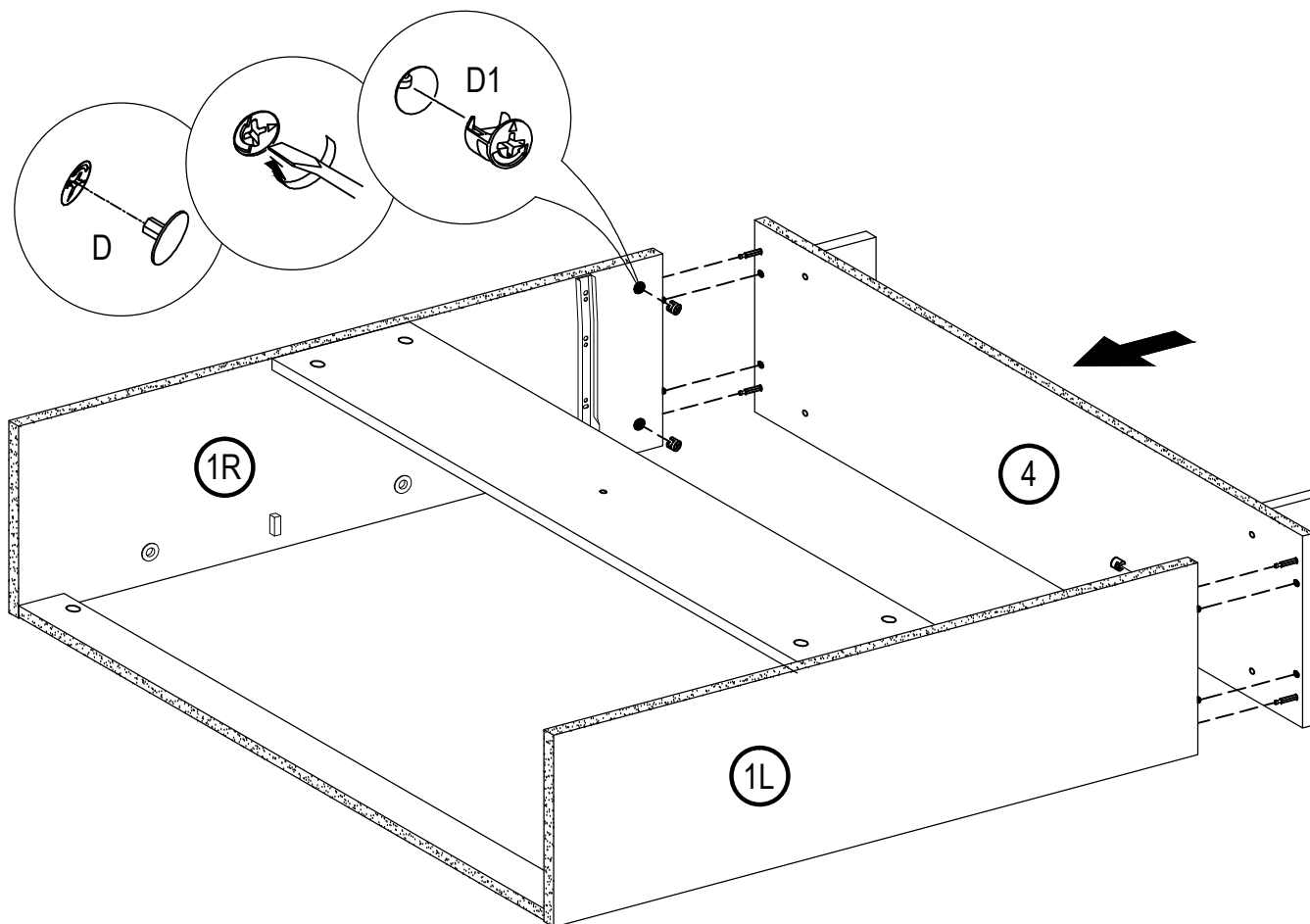
7

 D	x6	 D1	15*13mm	x6
--	----	---	---------	----

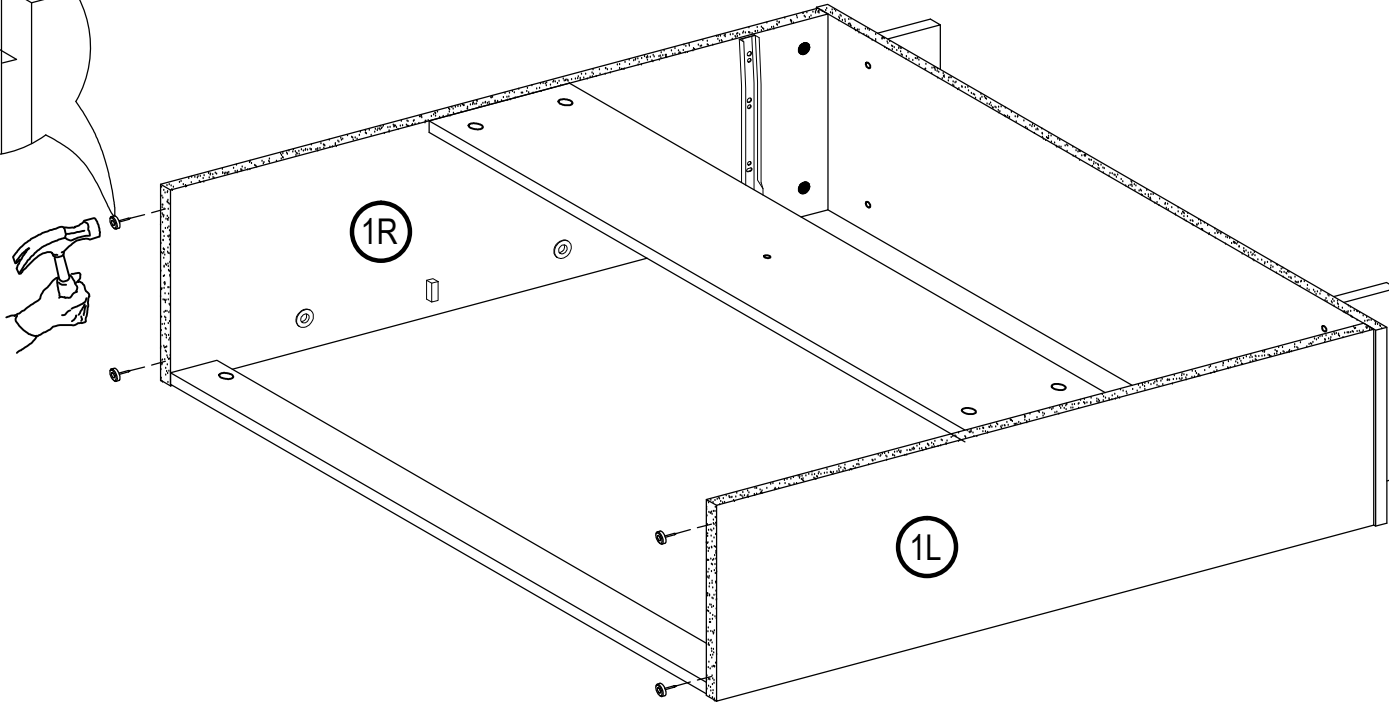
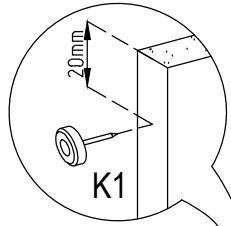
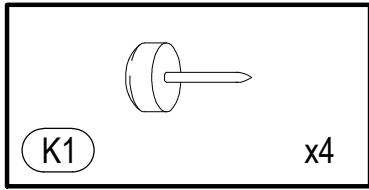


8



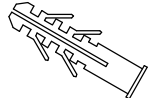
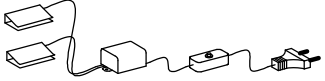
	
D	D1
x4	15*13mm x4

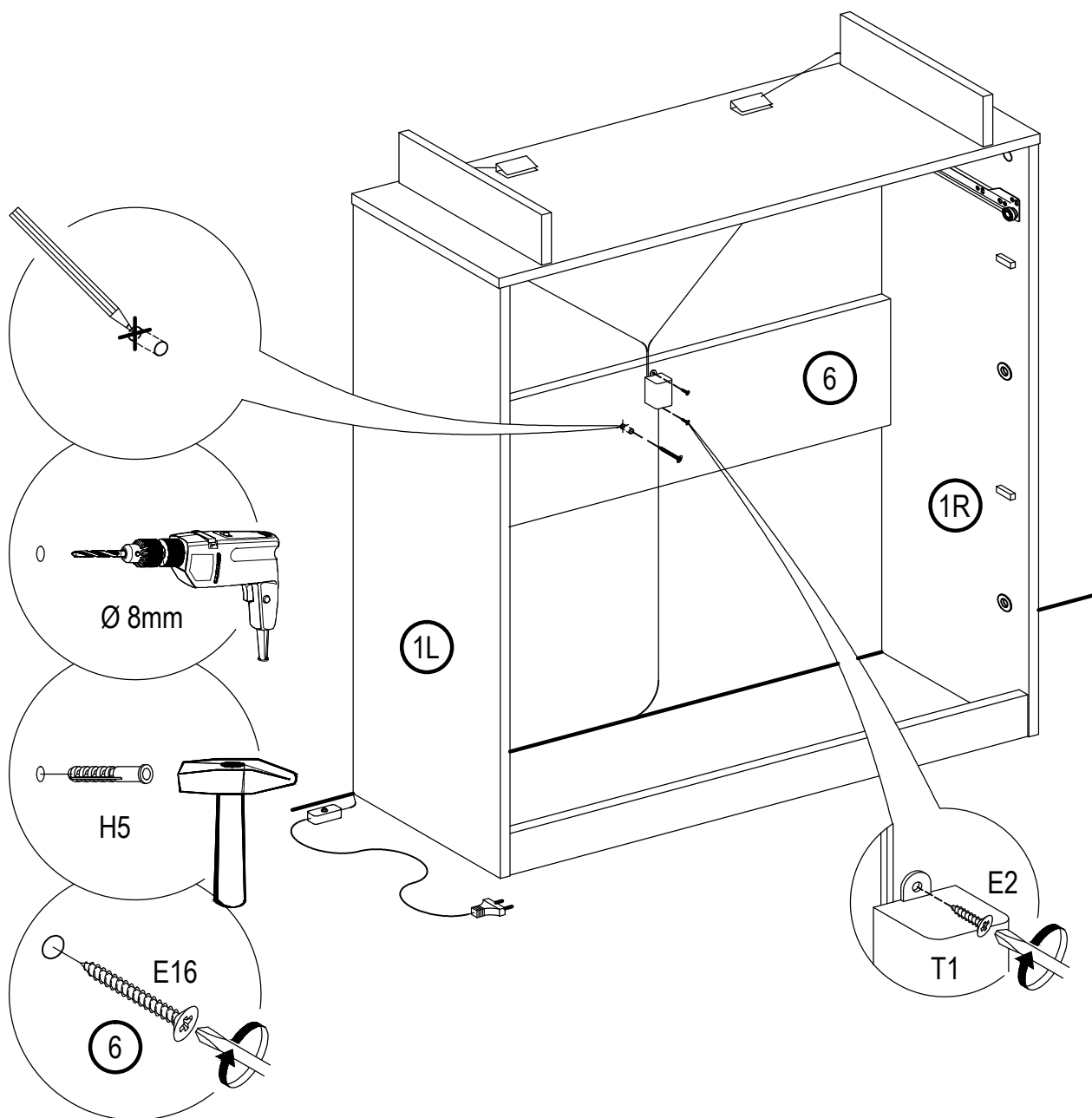


9

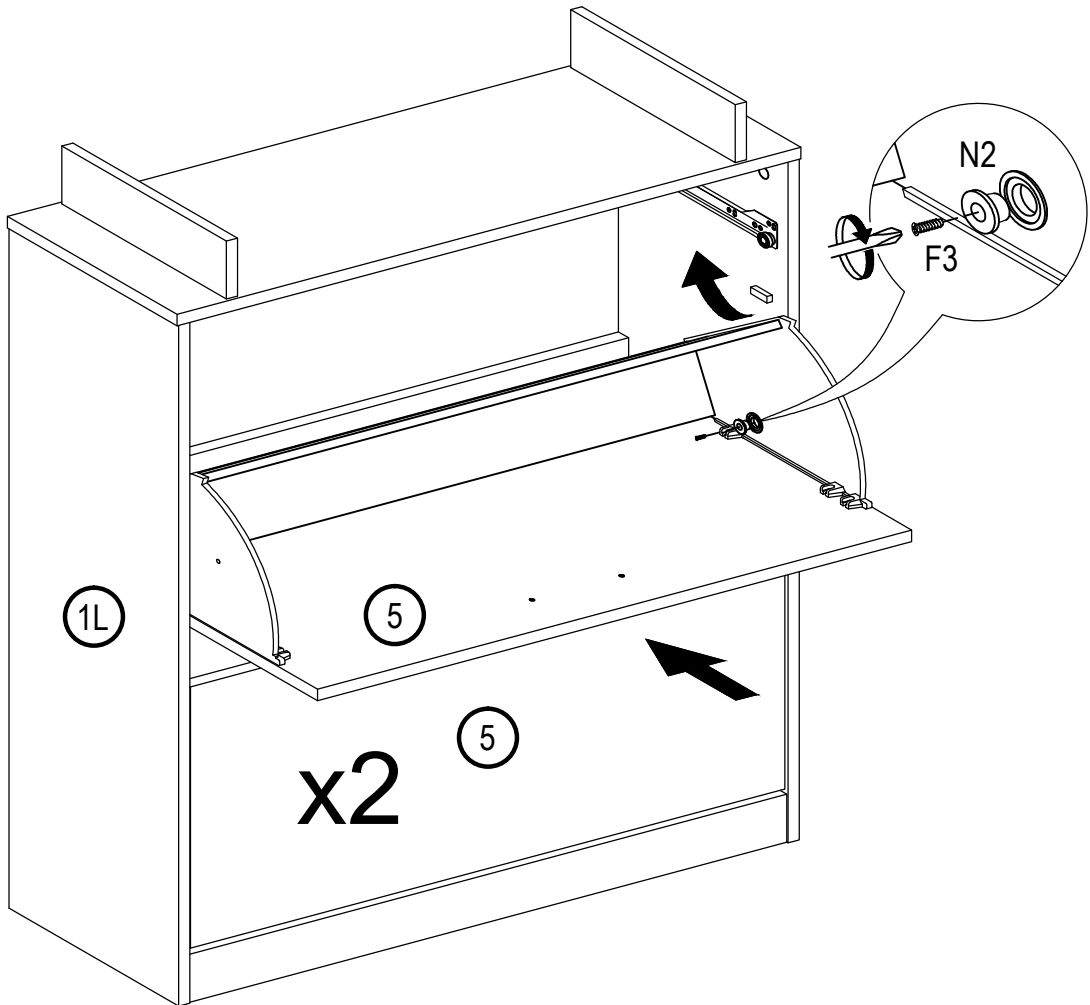
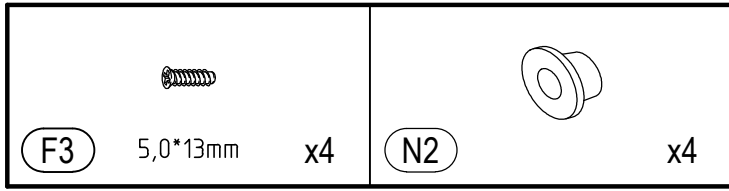


10

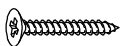


 E2 3*15mm x2	 E16 6*60mm x1	 H5 10*50mm x1
 T1 x1		

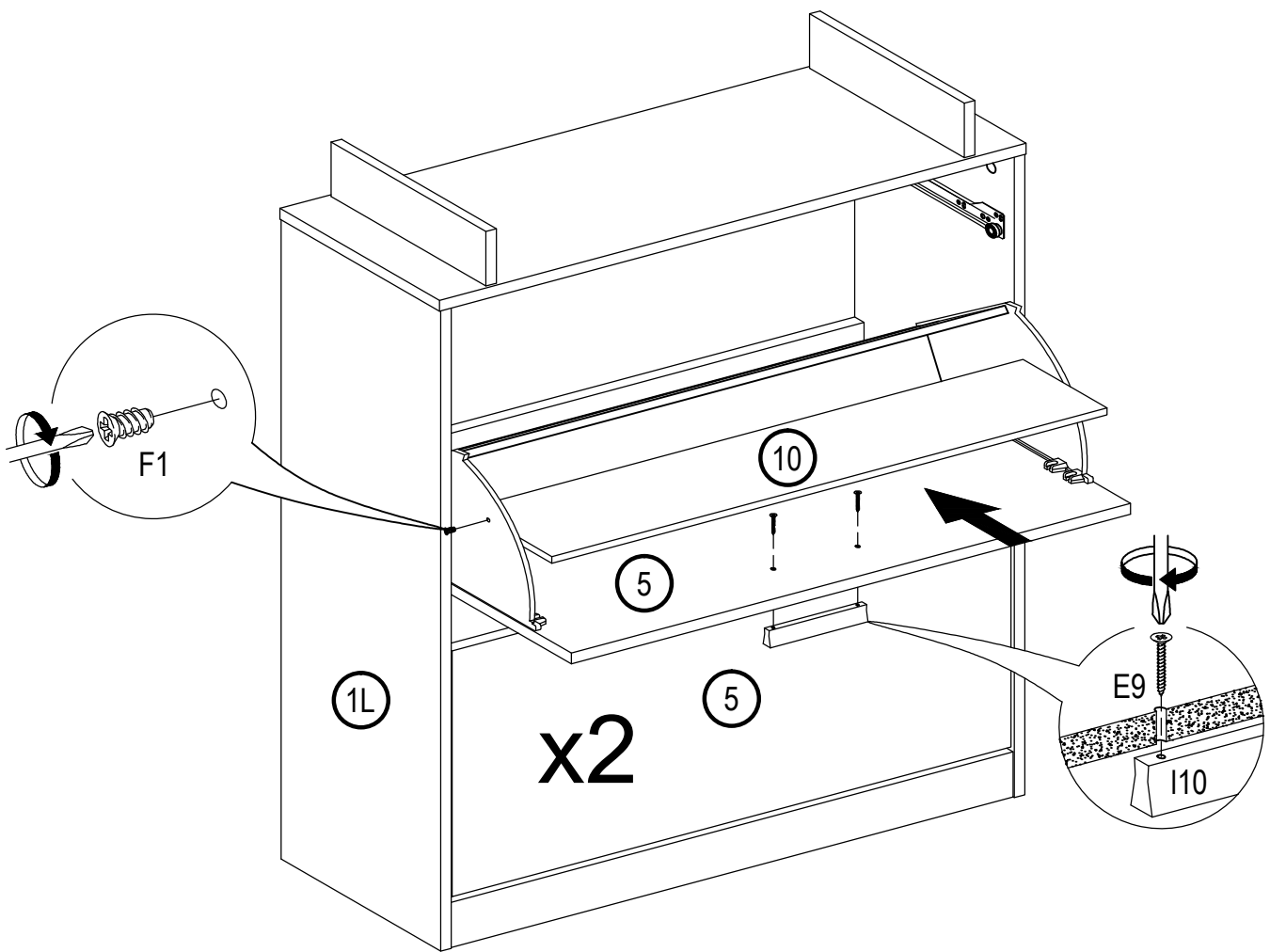


11

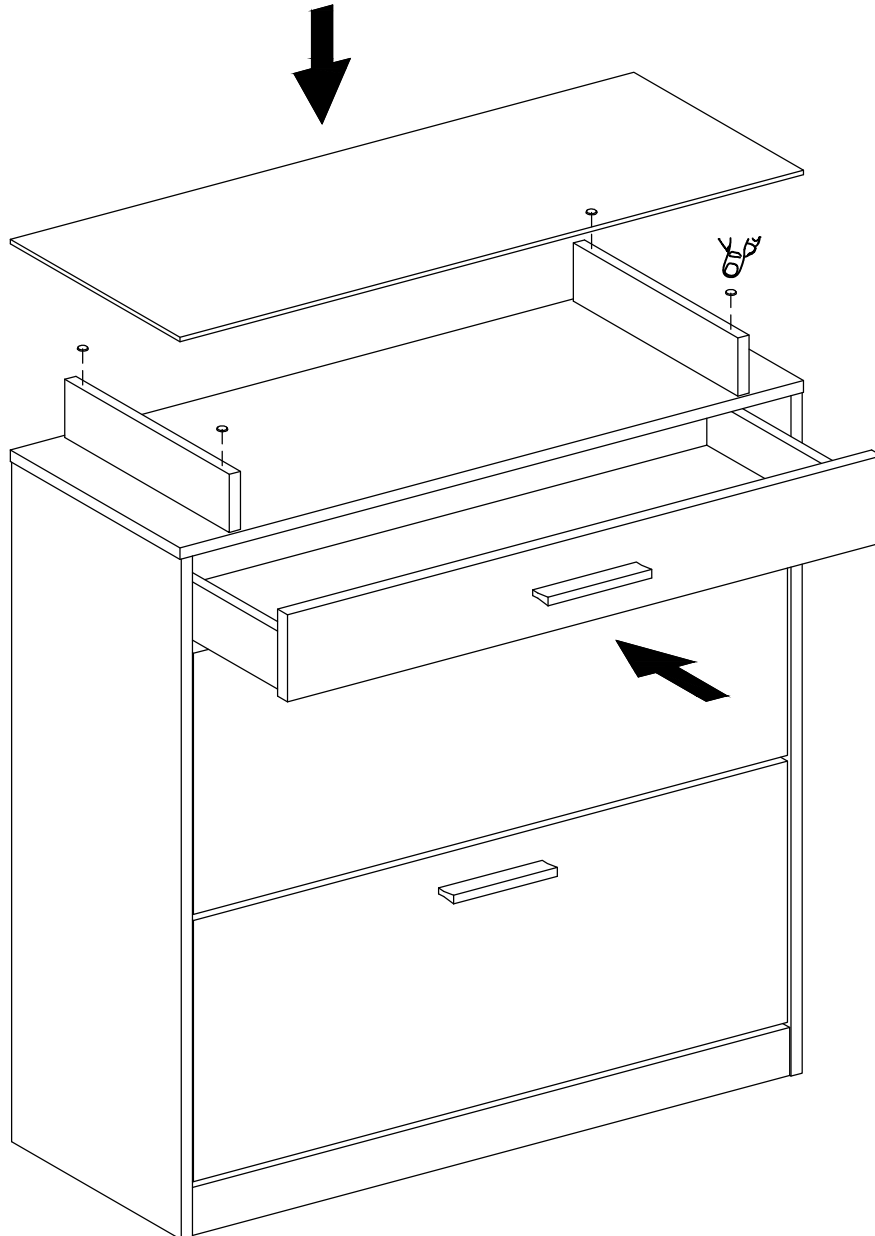
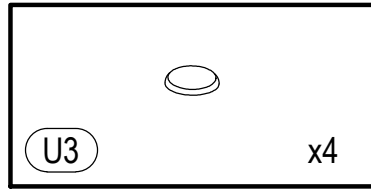


12

 E9 4*30mm x4	 F1 6,3*13mm x4	 I10 x2
---	---	---



13



14

