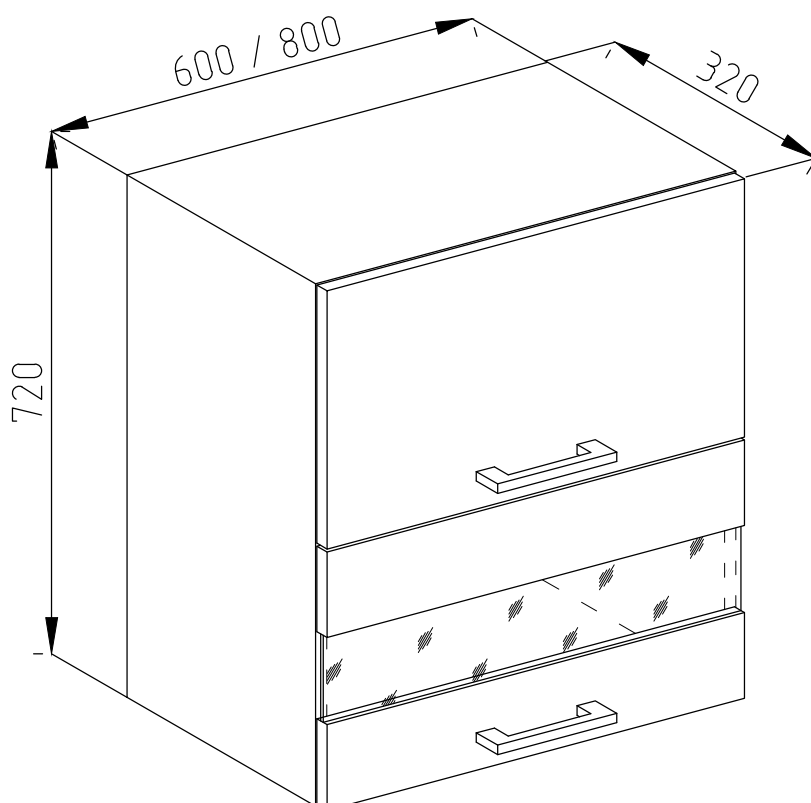
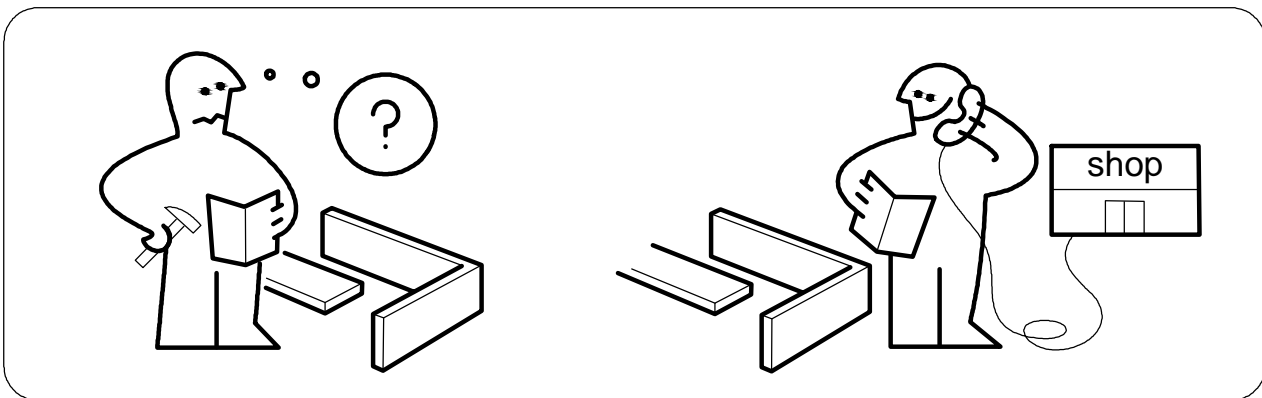
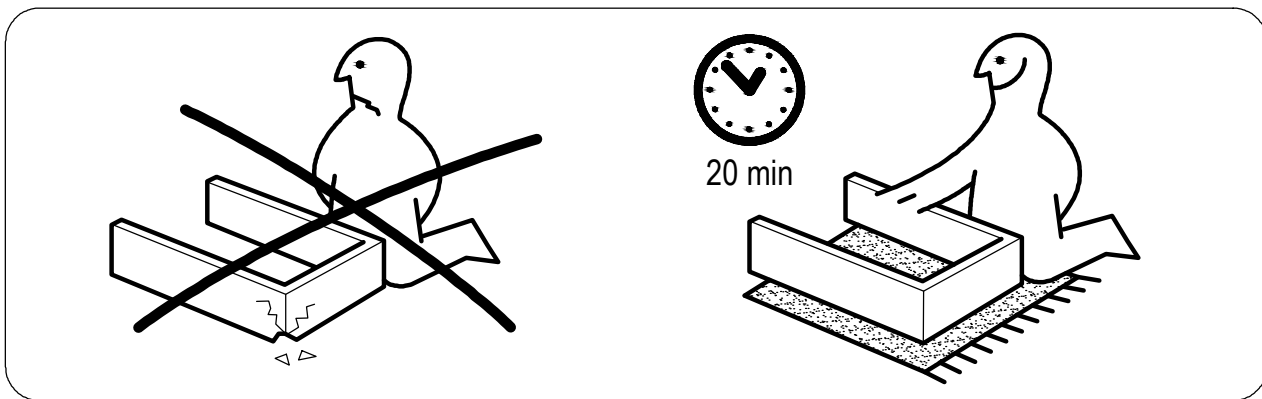
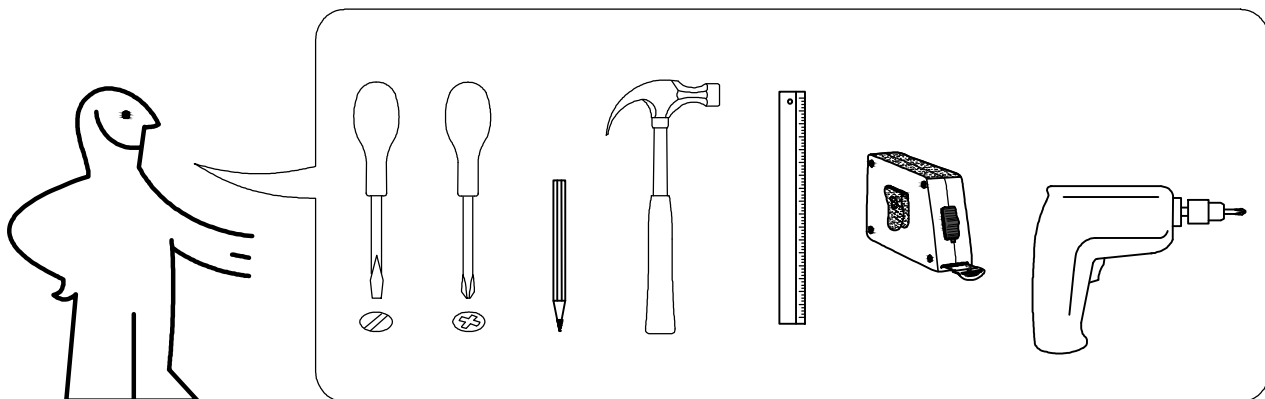




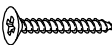



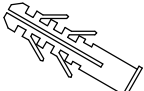

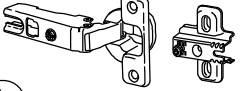
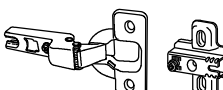

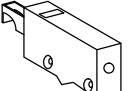
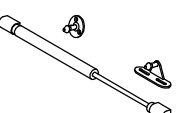
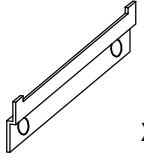




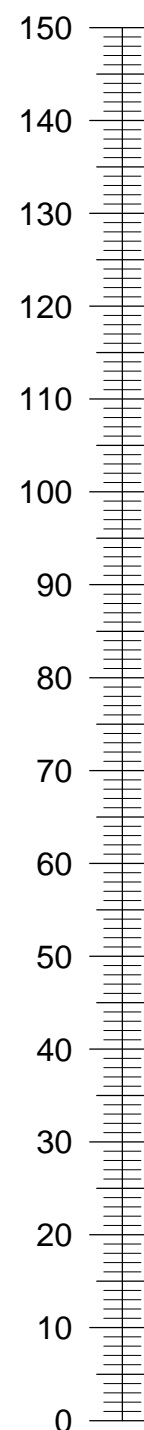
ALINA

U 60 BG1 / U 80 BG1

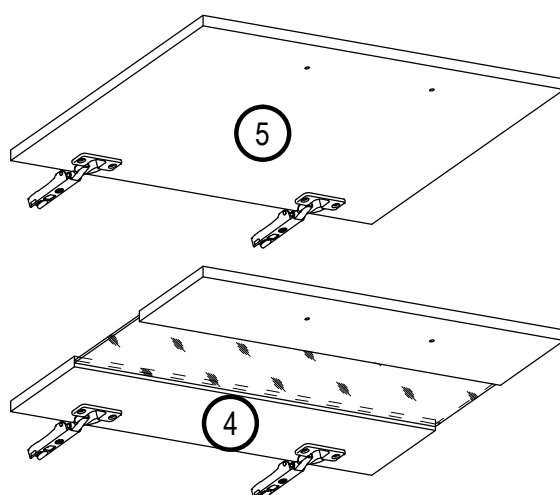
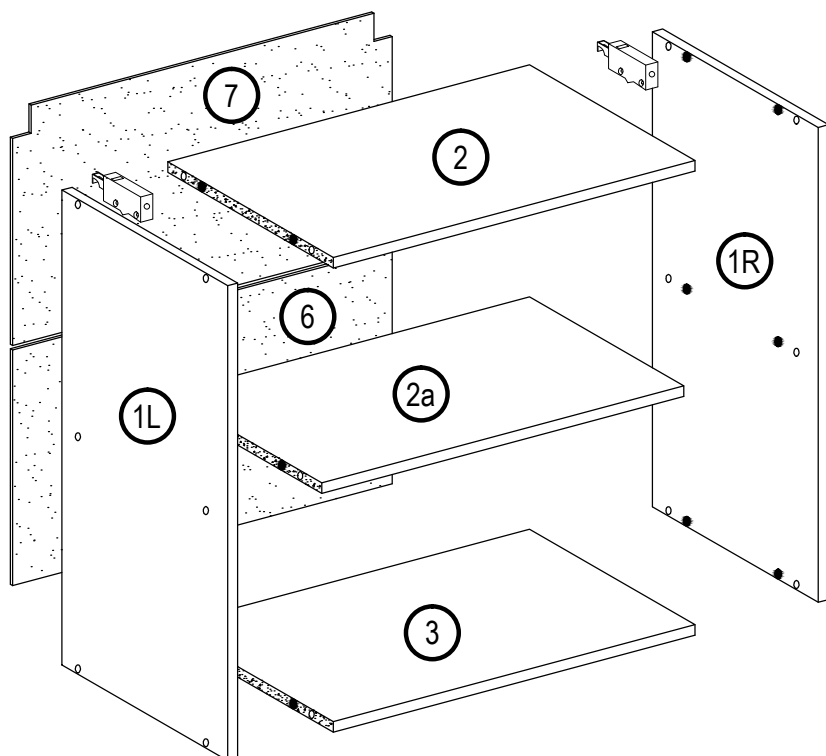
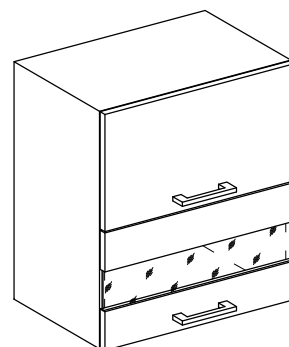








 A1 8*30mm x12	 B ϕ 12mm x12	 B1 6,3*50mm x12
 E8 4*16mm x28	 E11 4*30mm x8	 E13 4*40mm x4
 E20 6*60mm x4	 F1 6,3*13mm x8	 H6 10*50mm x4
 I8 x2	 L1 x2	 L2 x2
 Q1 1.4*25MM 0.01kg	 N1 x2	 N3 x4
 O4 x2	 P1 x1	 U3 x4

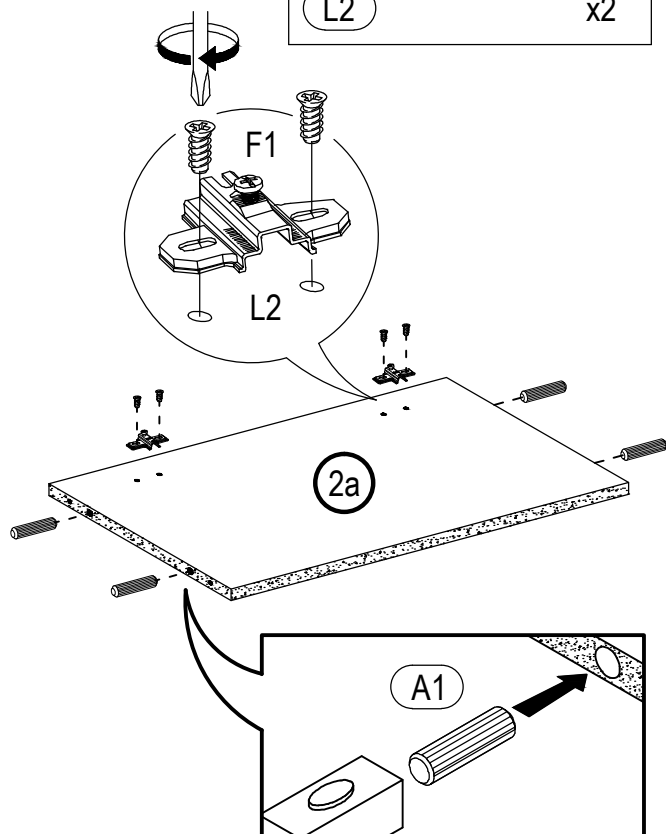
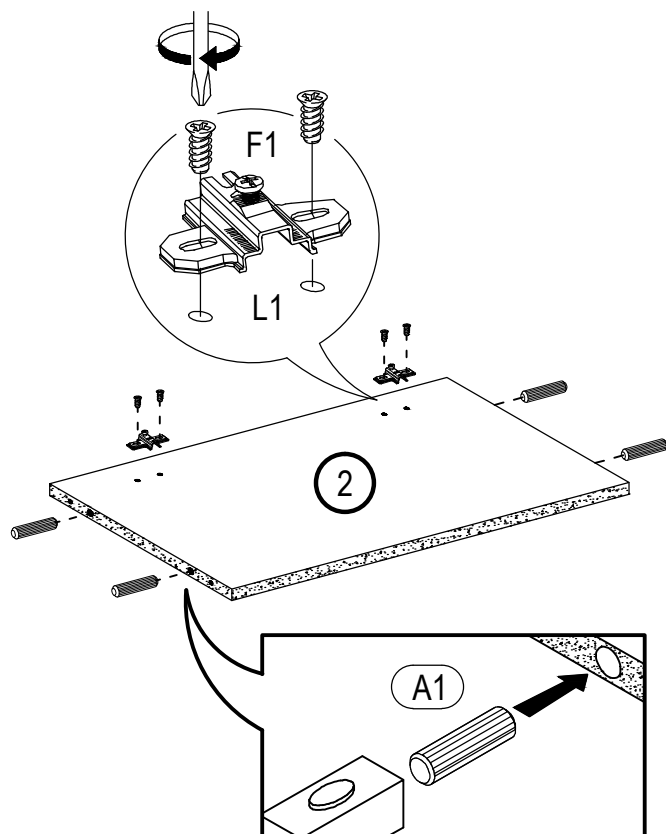


	a*b		M ²
	Å €Á	Å €Á	
1L	720x300	720x300	1
1R	720x300	720x300	1
2	567x300	767x300	1
2a	567x300	767x300	1
3	567x300	767x300	1
4	596x356	796x356	1
5	596x356	796x356	1
6	596x357	796x357	1
7	596x357	796x357	1




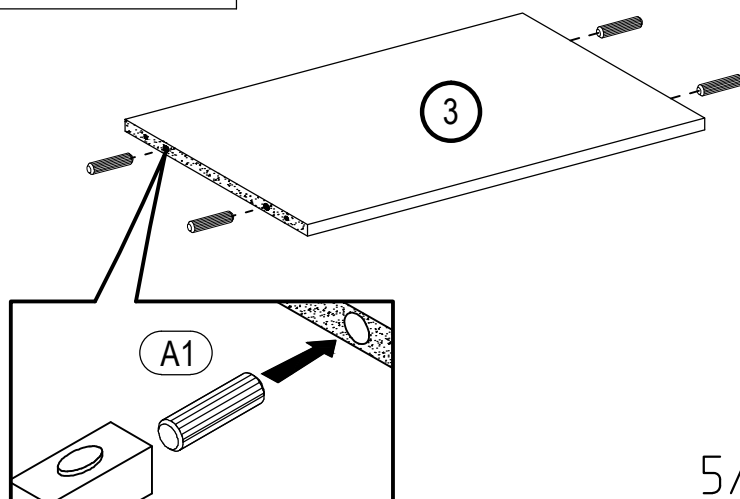
1

 <p>A1 8*30mm x8</p>	 <p>F1 6,3*13mm x8</p>	 <p>L1 x2</p>
		 <p>L2 x2</p>

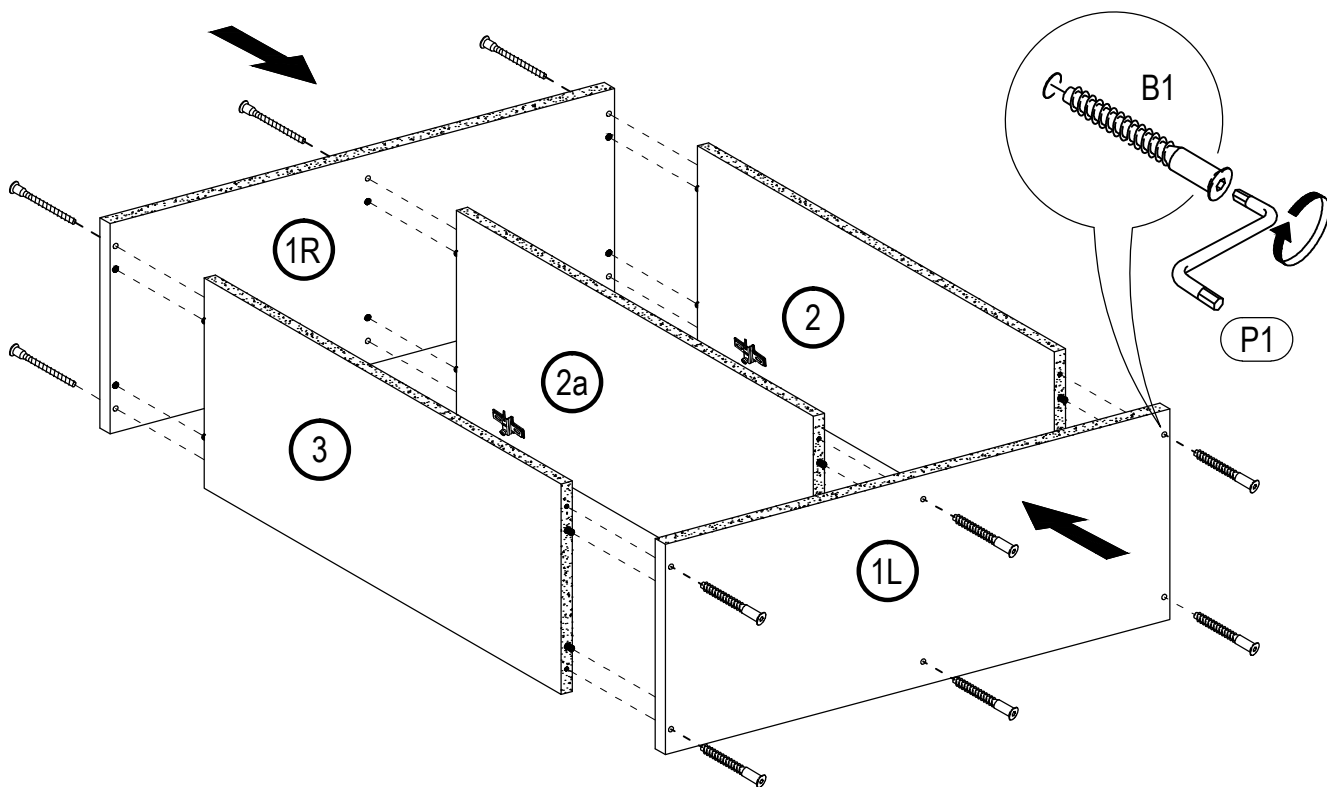
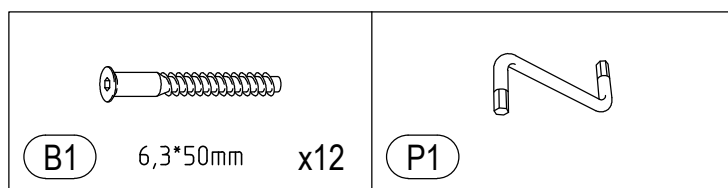


2

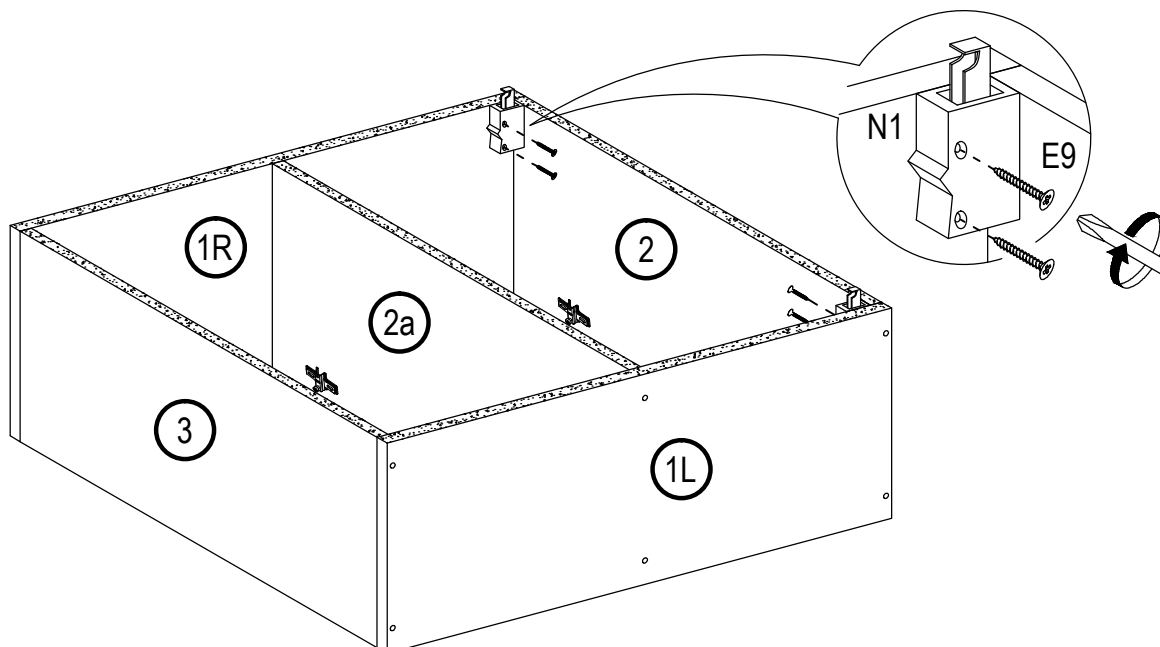
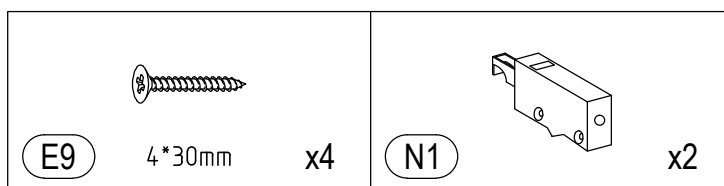
 <p>A1 8*30mm x4</p>
--



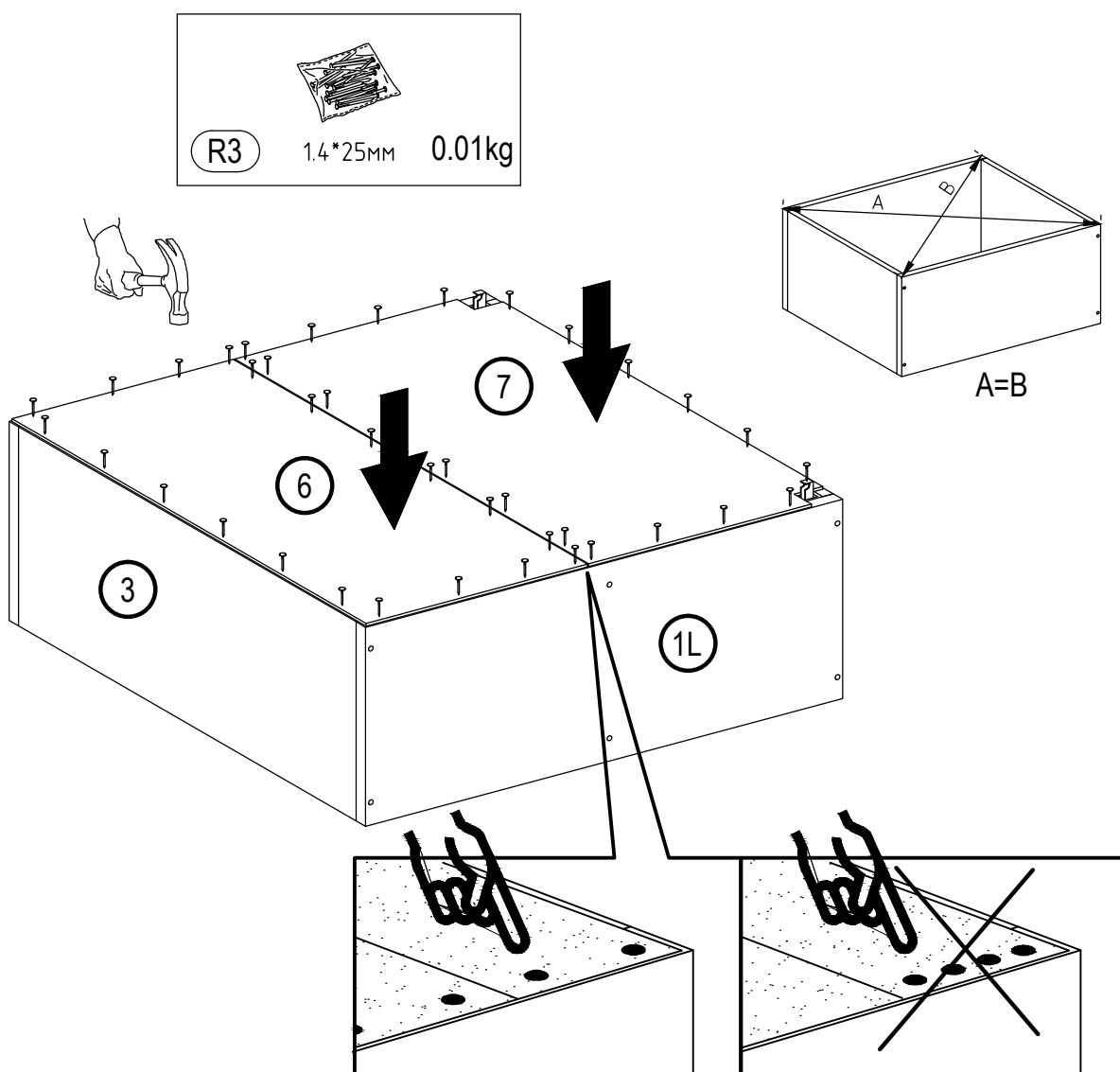
3



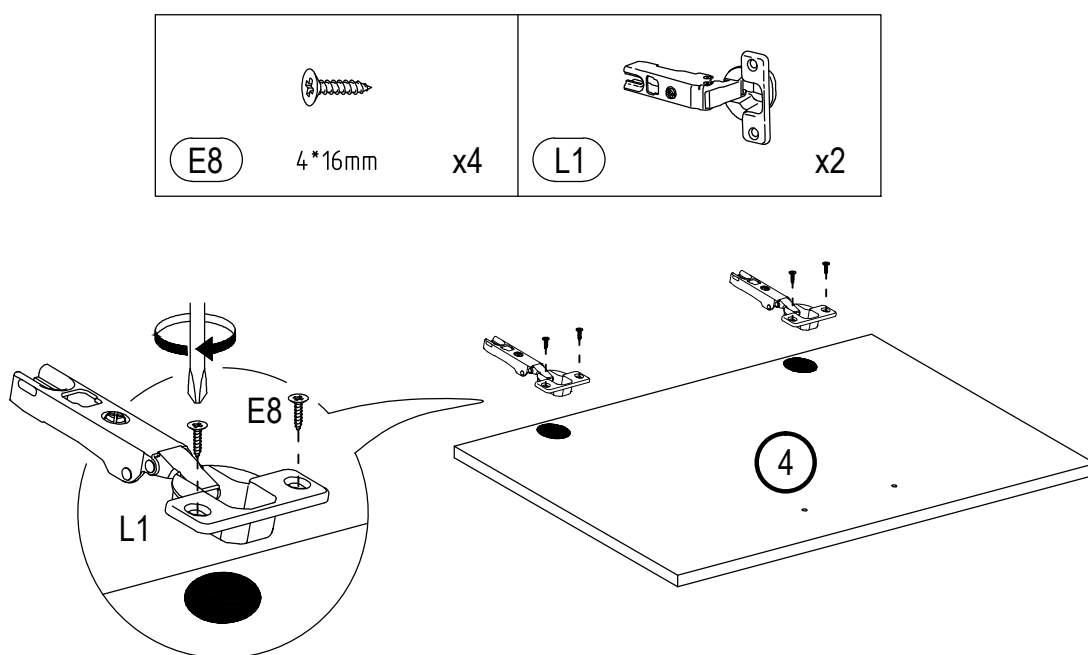
4



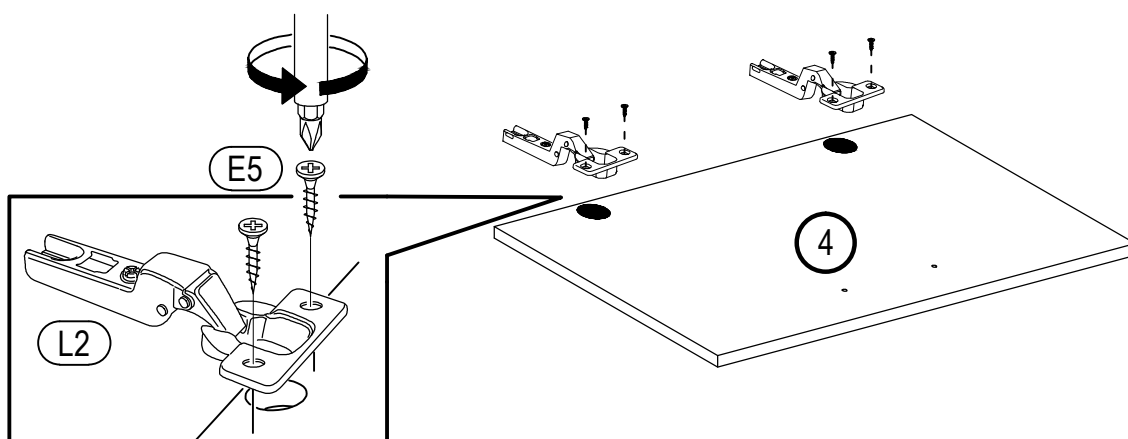
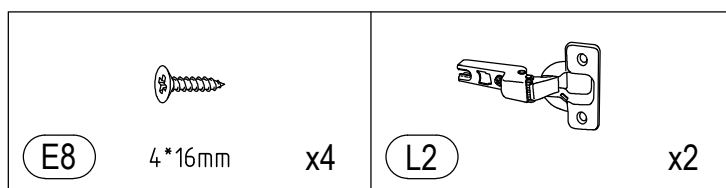
5



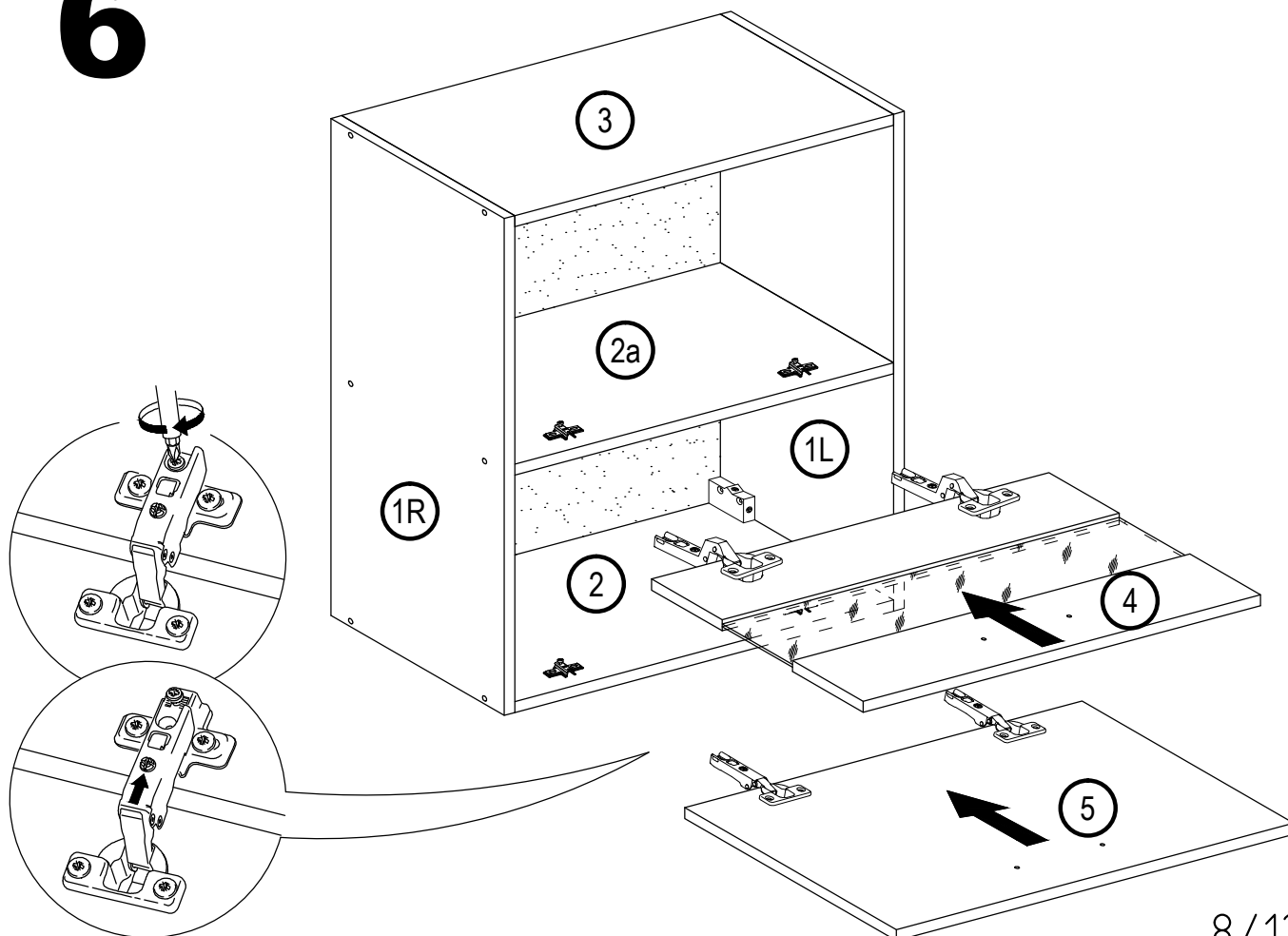
6



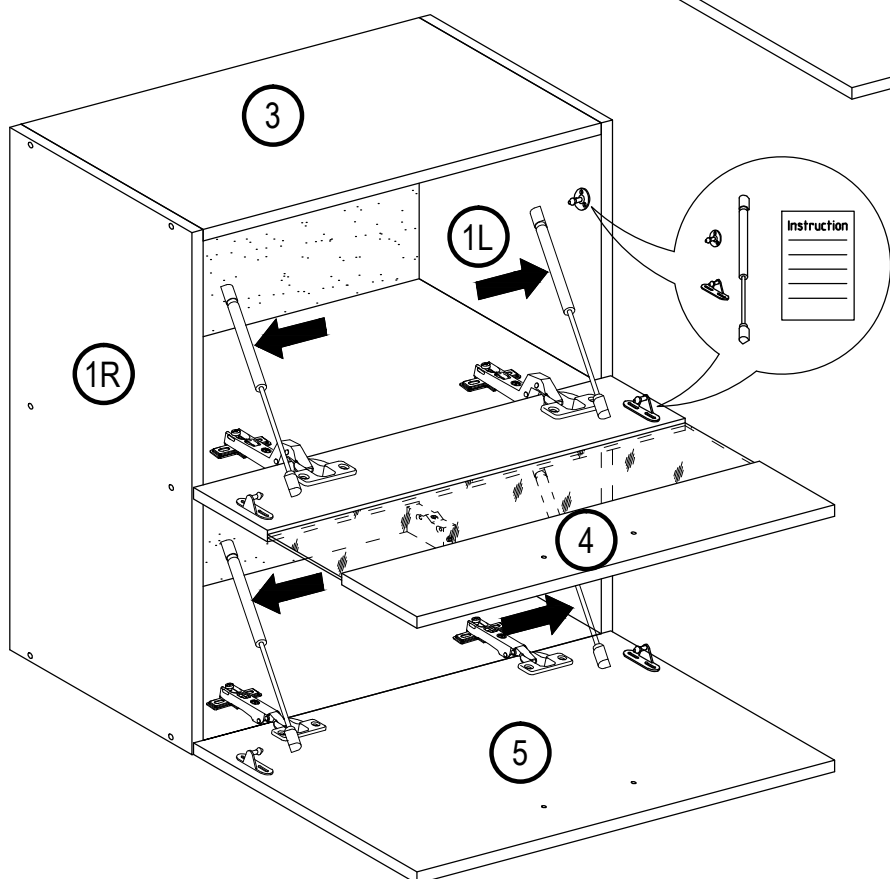
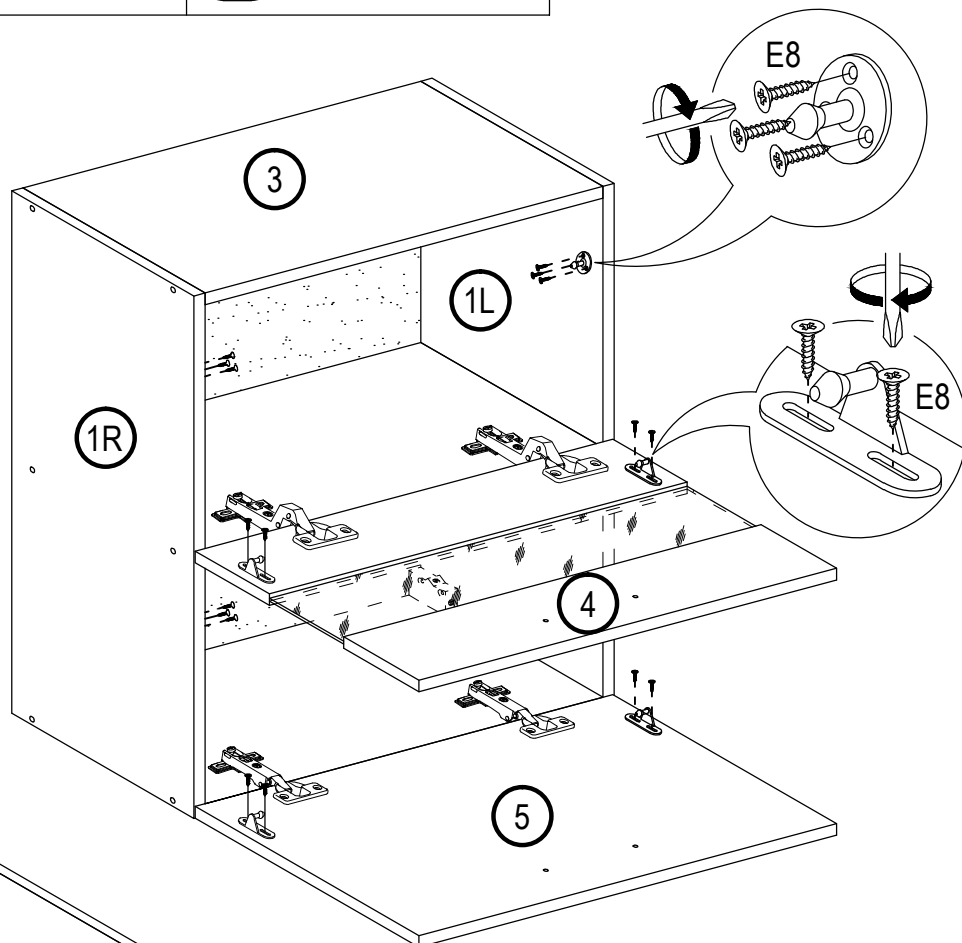
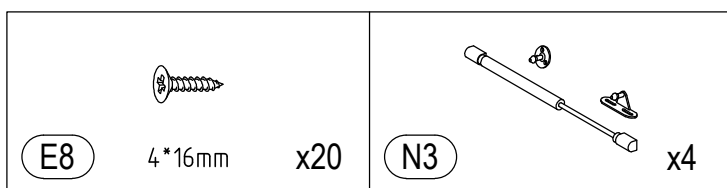
2







6



7



 E13 4*4.0mm x4	 I8 x2	 B x12	 U3 x4
--	---	--	---

8

