

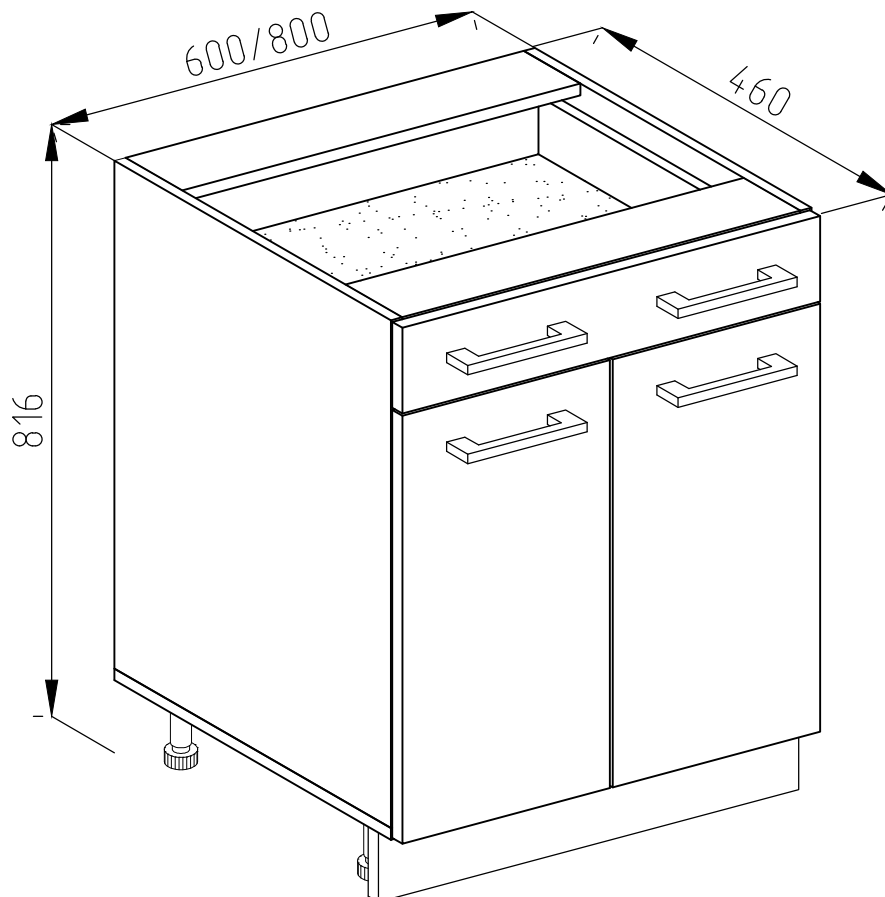
# MARTHA

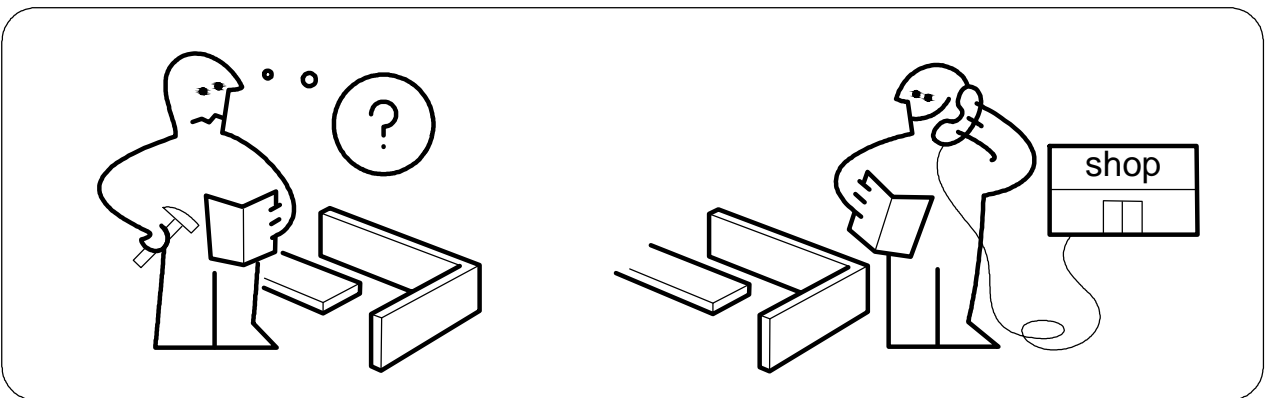
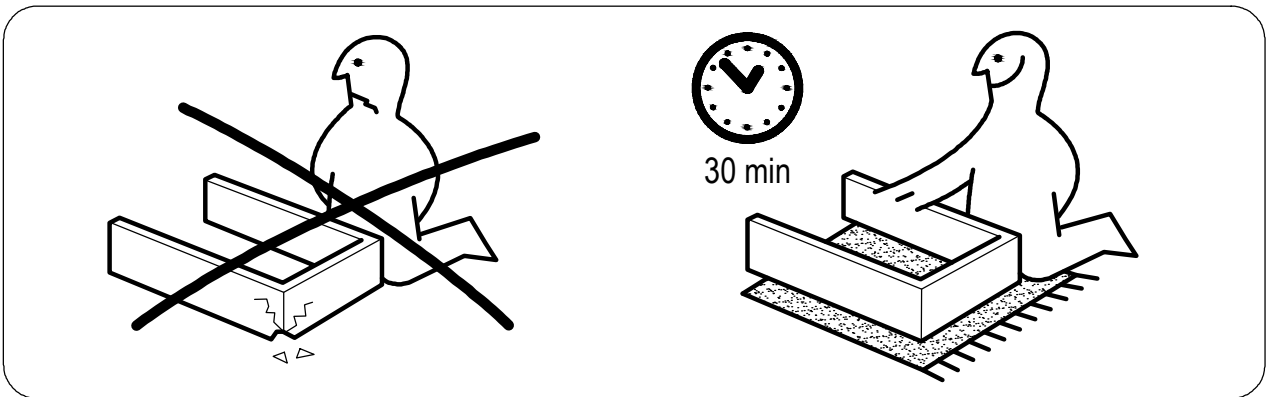
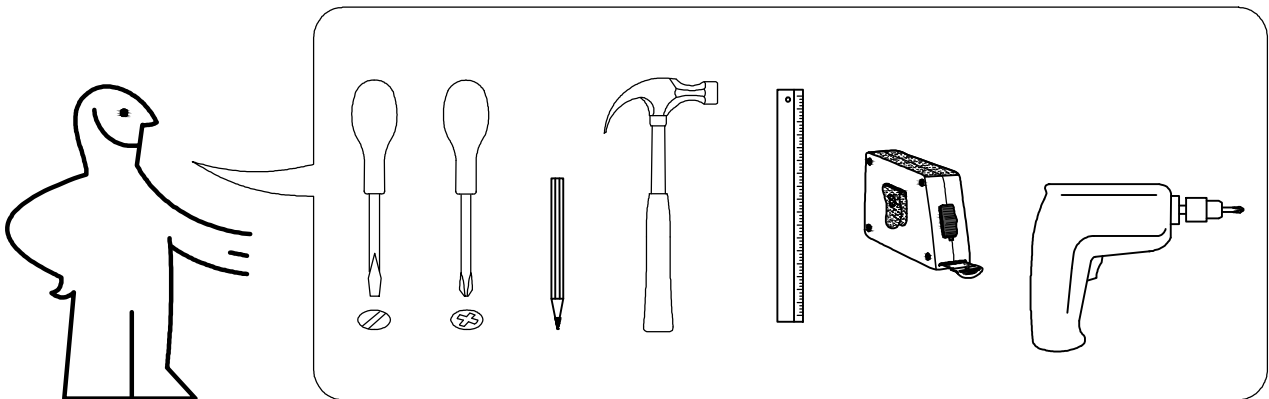
---

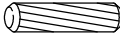












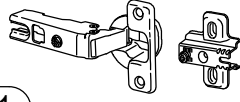

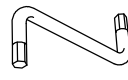

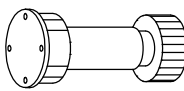
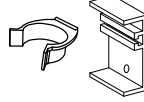

# ALINA

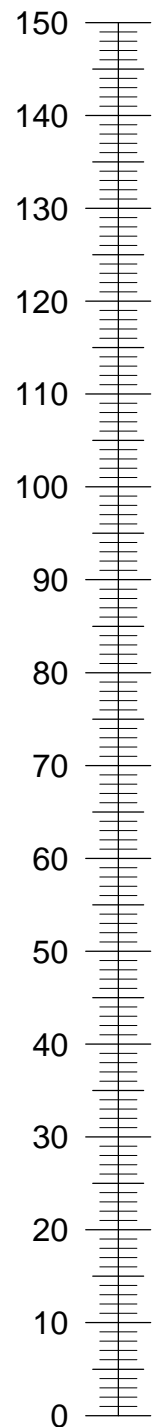
---

D 60 DDr / D 80 DDr



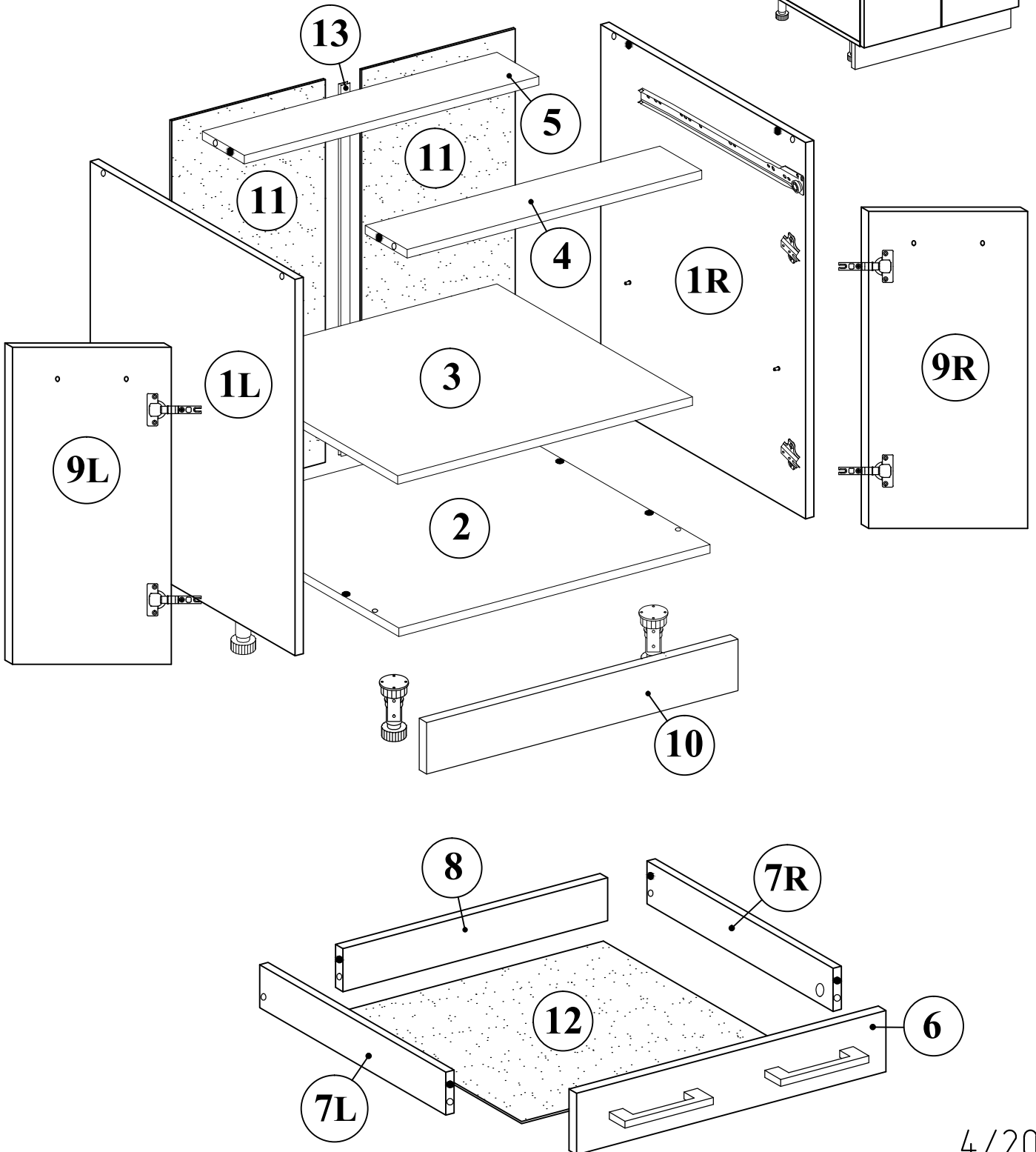
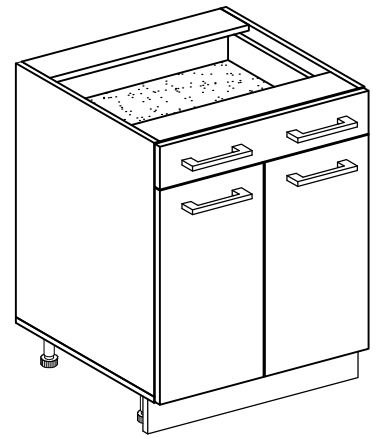


 <b>A1</b> 8*30mm x12	 <b>B</b> ø12mm x10	 <b>B1</b> 6,3*50mm x10
 <b>D</b> x2	 <b>D1</b> 16mm x2	 <b>C1</b> 5*30mm x2
 <b>E1</b> 3*13mm x10	 <b>E8</b> 4*16mm x28	 <b>E11</b> 4*30mm x8
 <b>E13</b> 4*40mm x8	 <b>F1</b> 6,3*13mm x8	 <b>M1</b> L- 400 x1
 <b>I8</b> x4	 <b>L1</b> x4	 <b>J1</b> 5*16MM x4
 <b>P1</b> x1	 <b>Q1</b> 1.4*25MM 0.02kg	 <b>K2</b> x4
 <b>K3</b> x2	 <b>U3</b> x6	

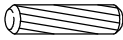



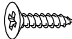
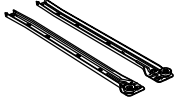


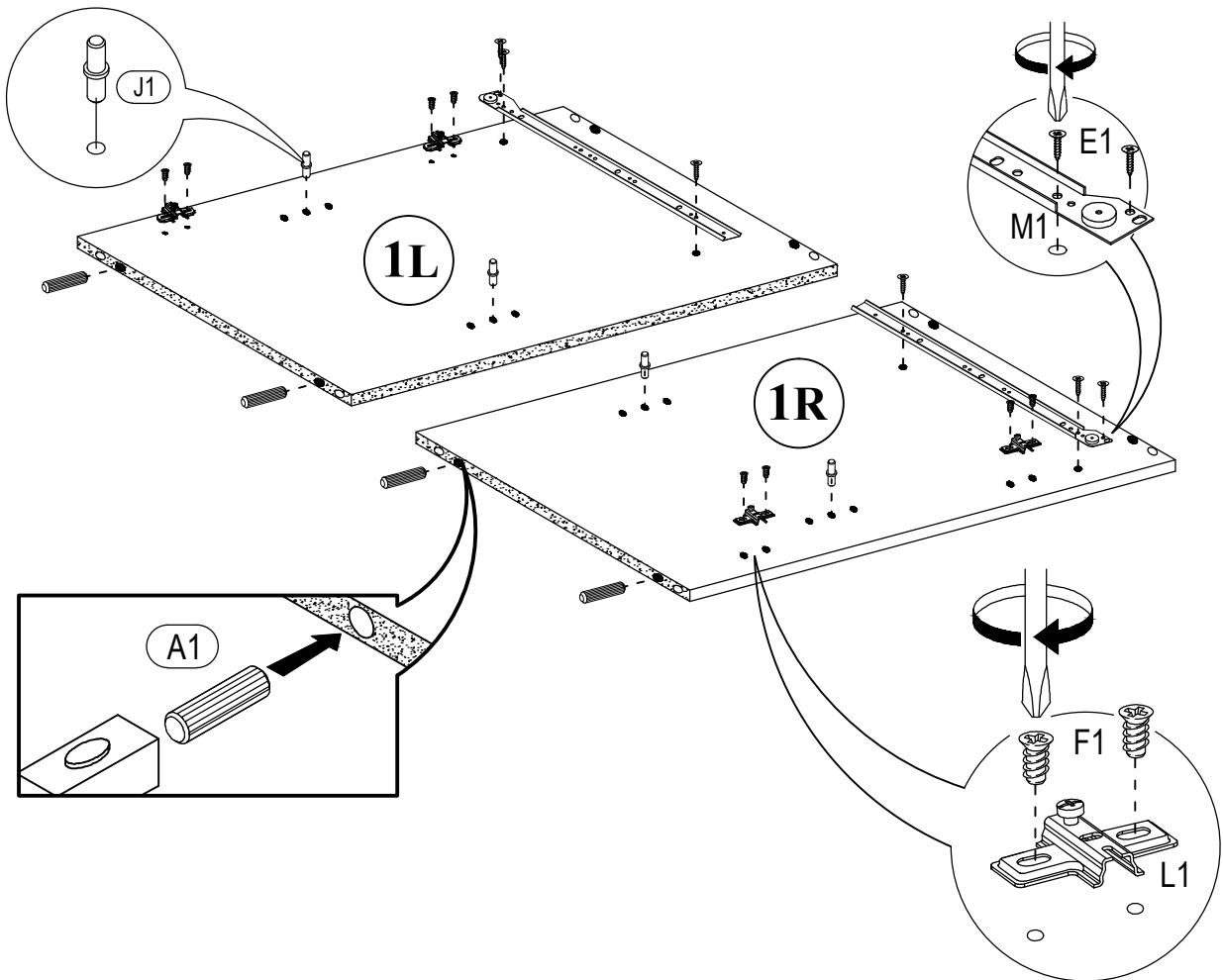
	a*b		M		a*b		M
	î €G	ì €G			î €G	ì €G	
1L	700x440	700x440	1	7 R	400x80	400x80	1
1R	700x440	700x440	1	8	510x80	710x80	1
2	600x440	800x440	1	9 L	296x590	396x590	1
3	567x420	767x420	1	9 R	296x590	396x590	1
4	567x90	767x90	1	10	599x96	799x96	1
5	567x90	767x90	1	11	713x296	713x396	2
6	596x118	796x118	1	12	404x540	404x740	1
7 L	400x80	400x80	1	13	L-682	L-682	1

Martha  
Alina

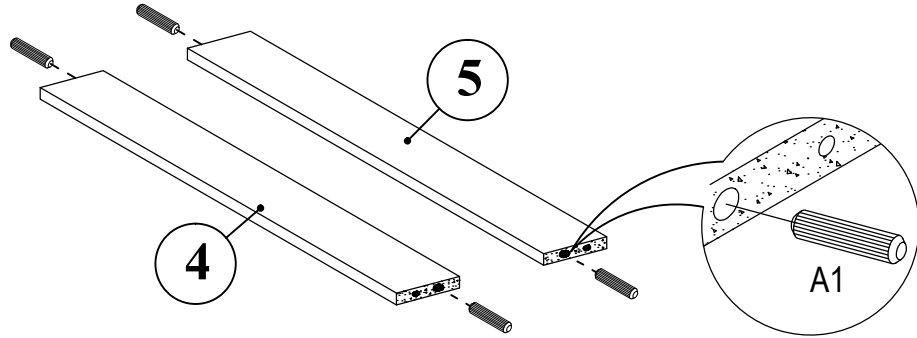
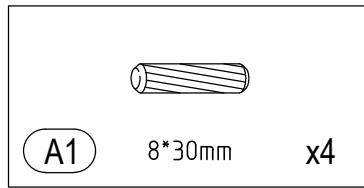


1

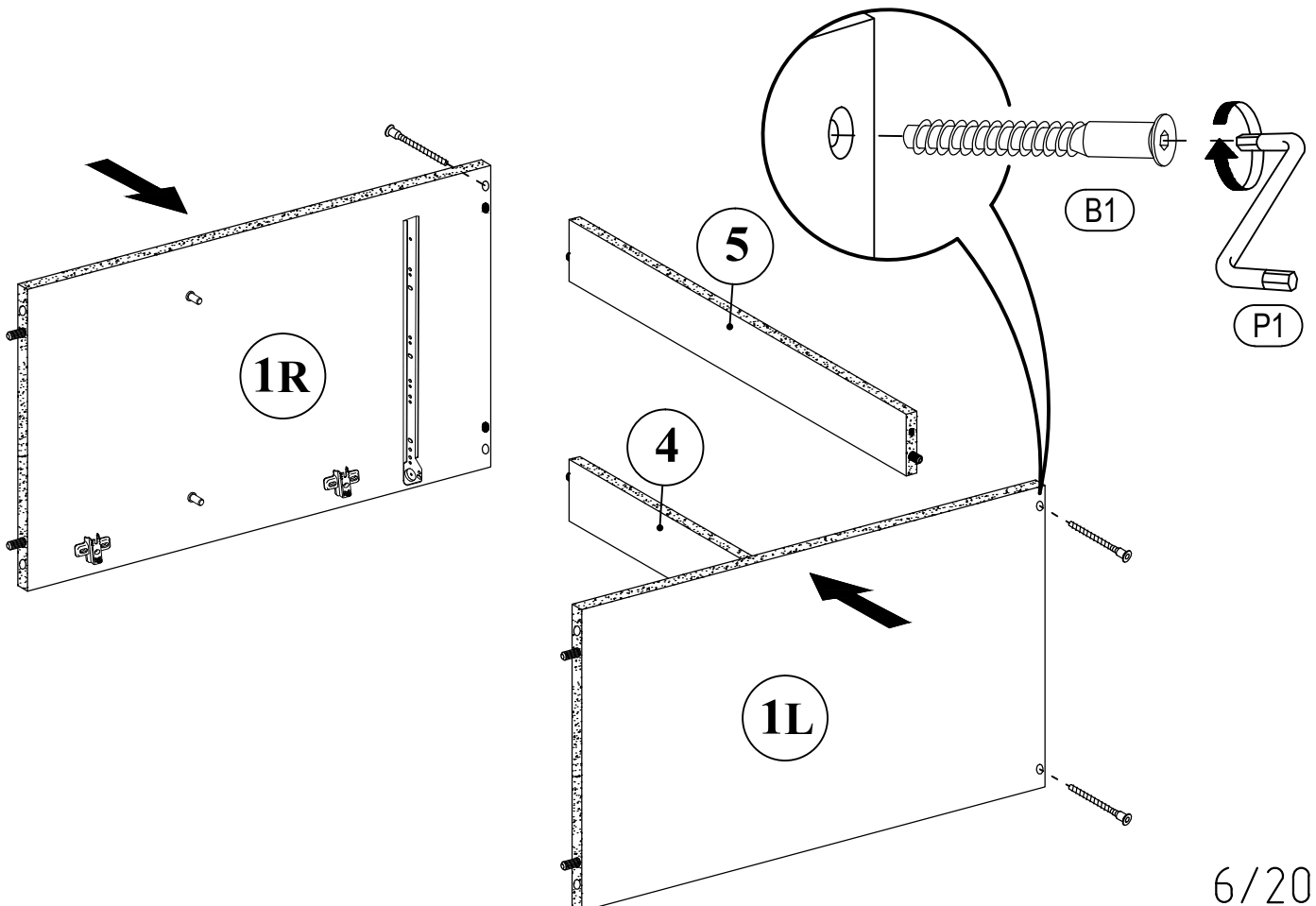
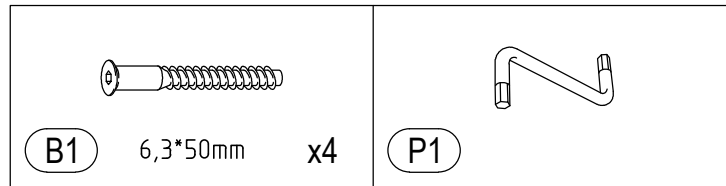
 <b>A1</b> 8*30mm x4	 <b>J1</b> 5*16MM x4	 <b>L1</b> x4
 <b>F1</b> 6,3*13mm x8	 <b>E1</b> 3*13mm x6	 <b>M1</b> L- 400 x1



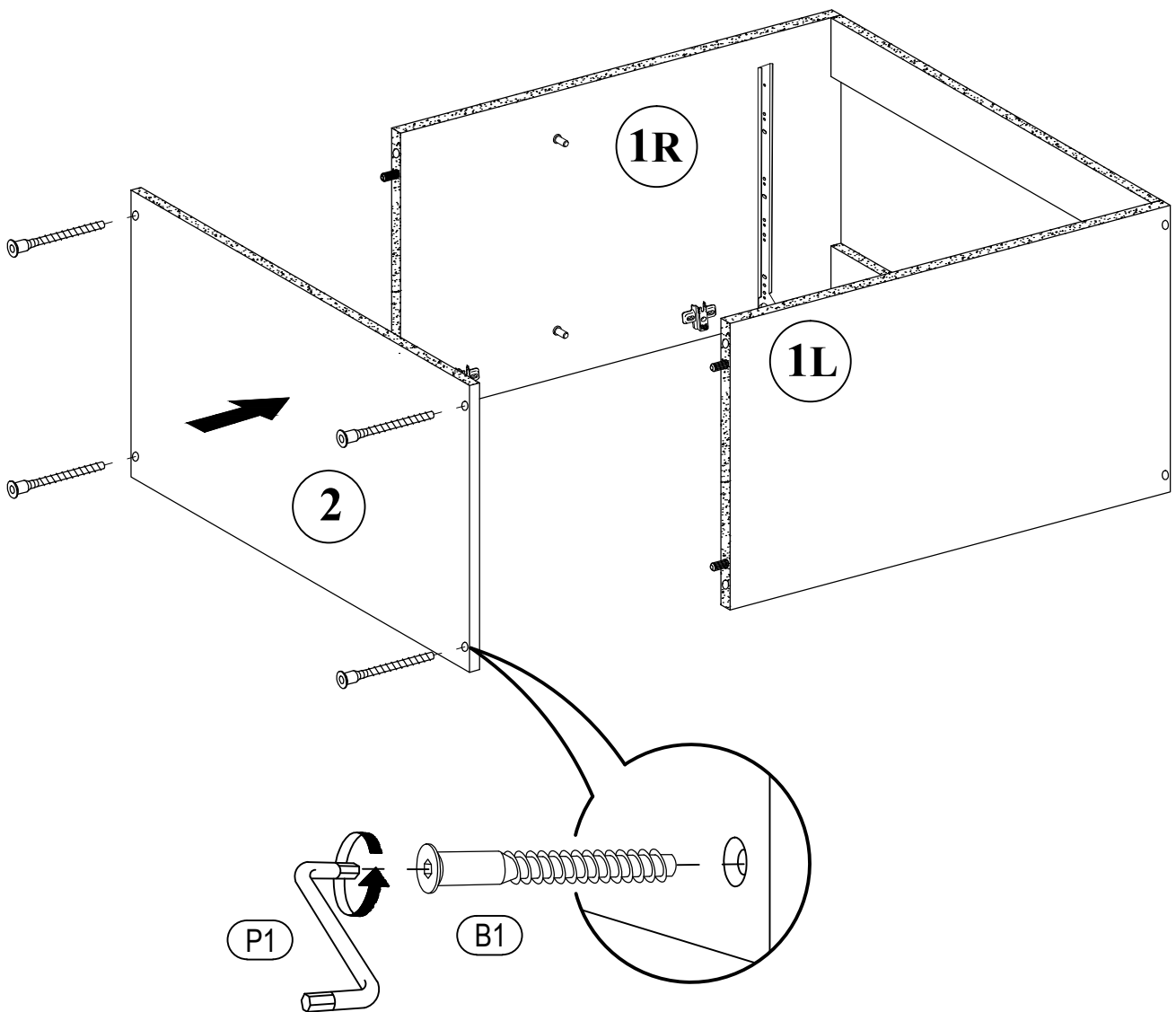
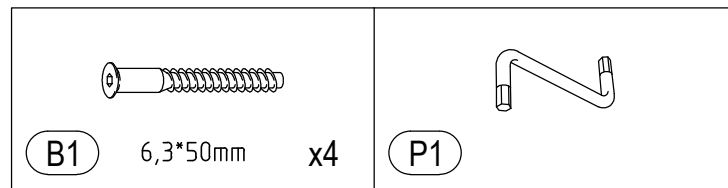
2



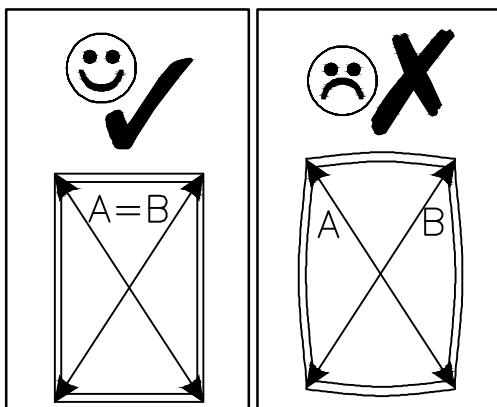
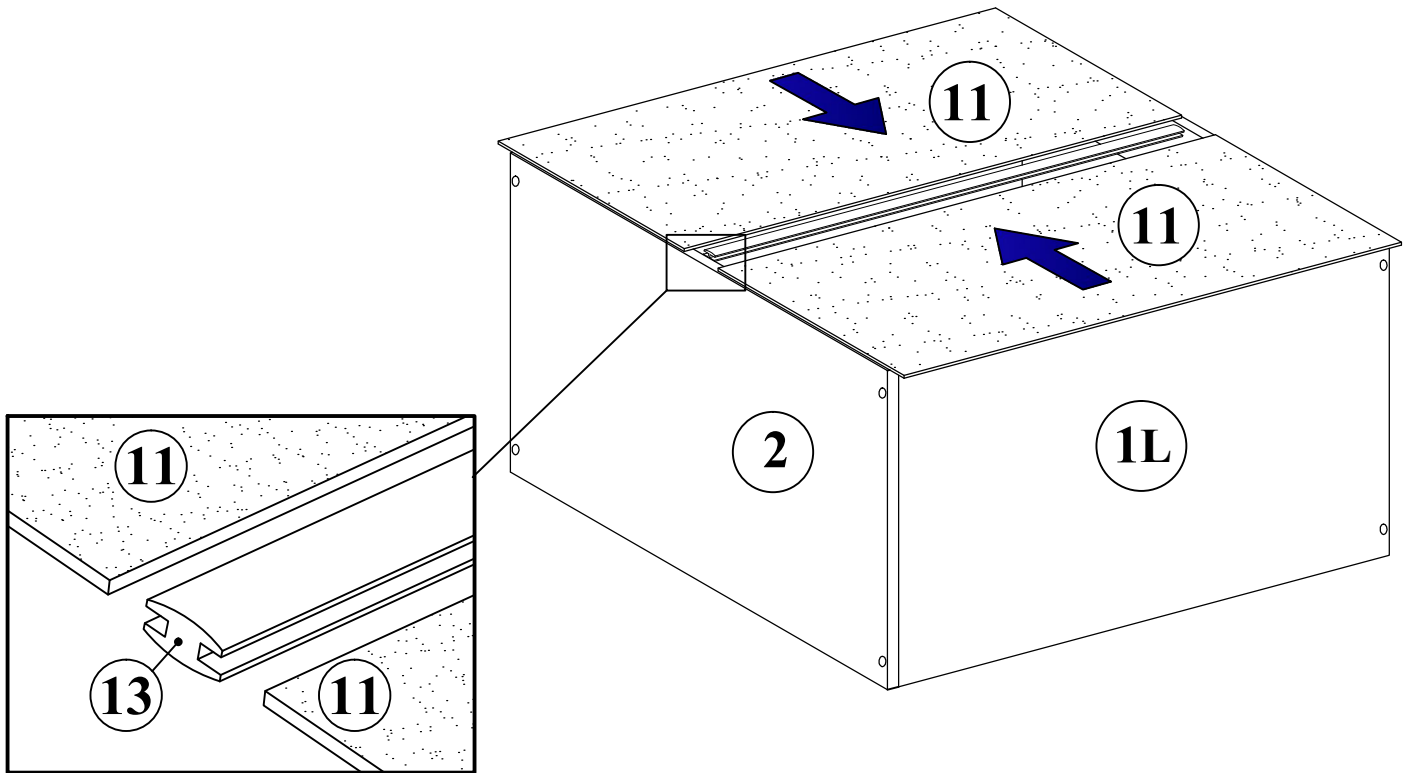
3



4

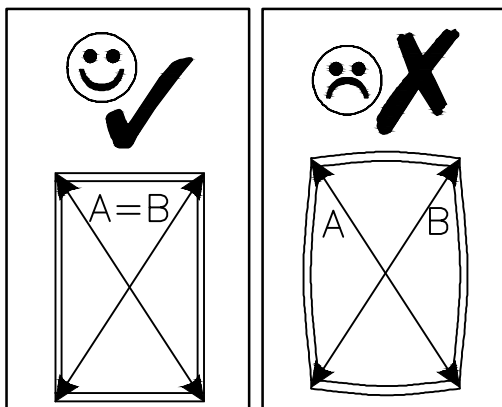
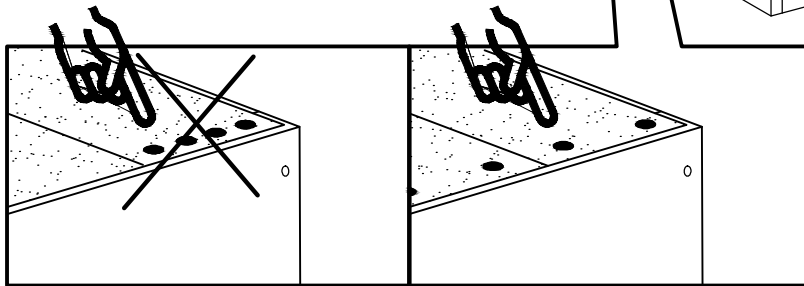
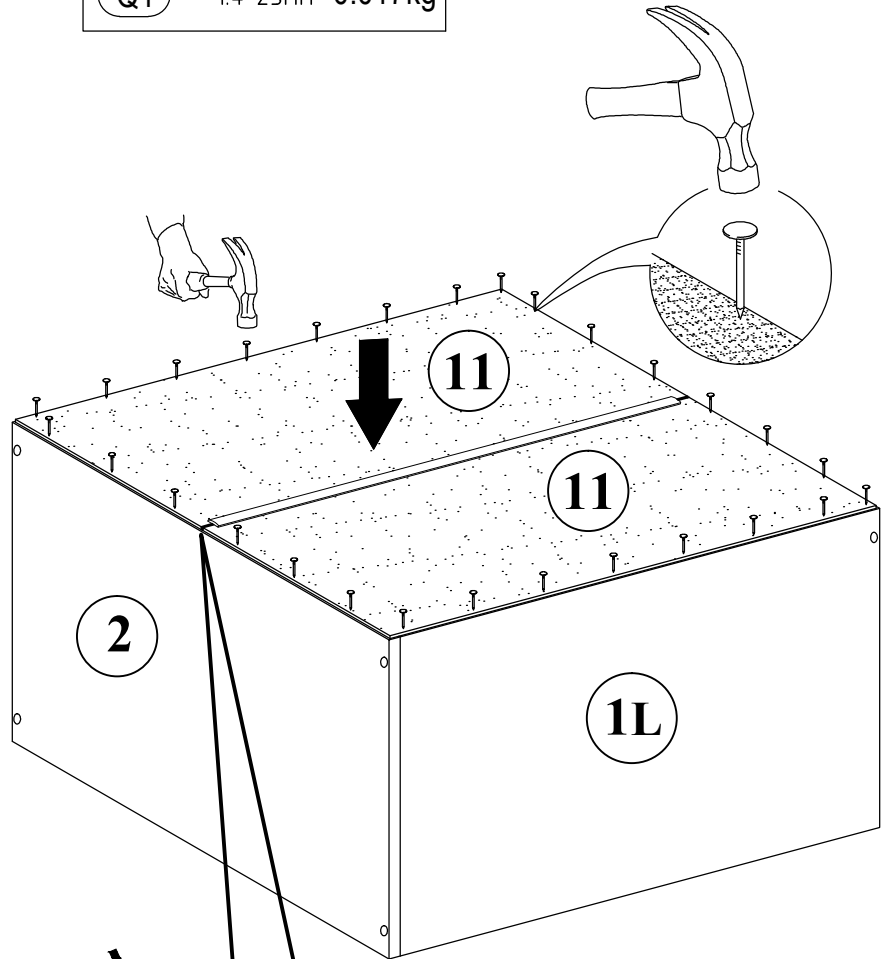
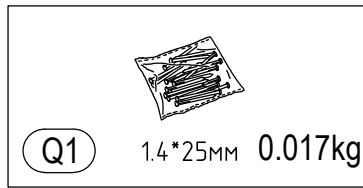


# 5

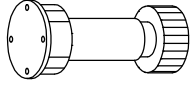
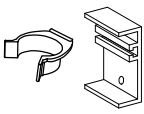
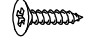


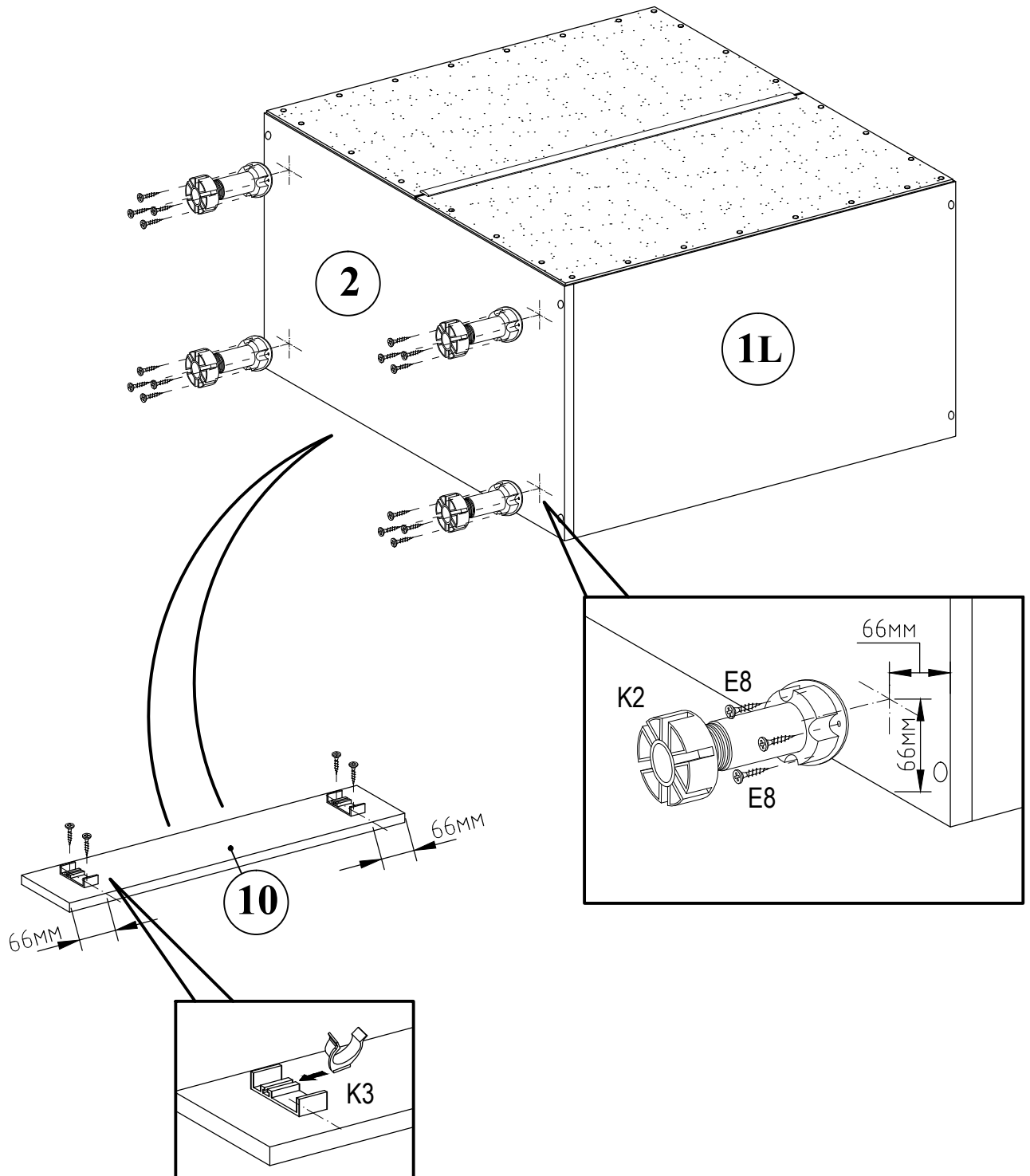


6



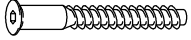
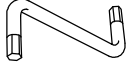


7

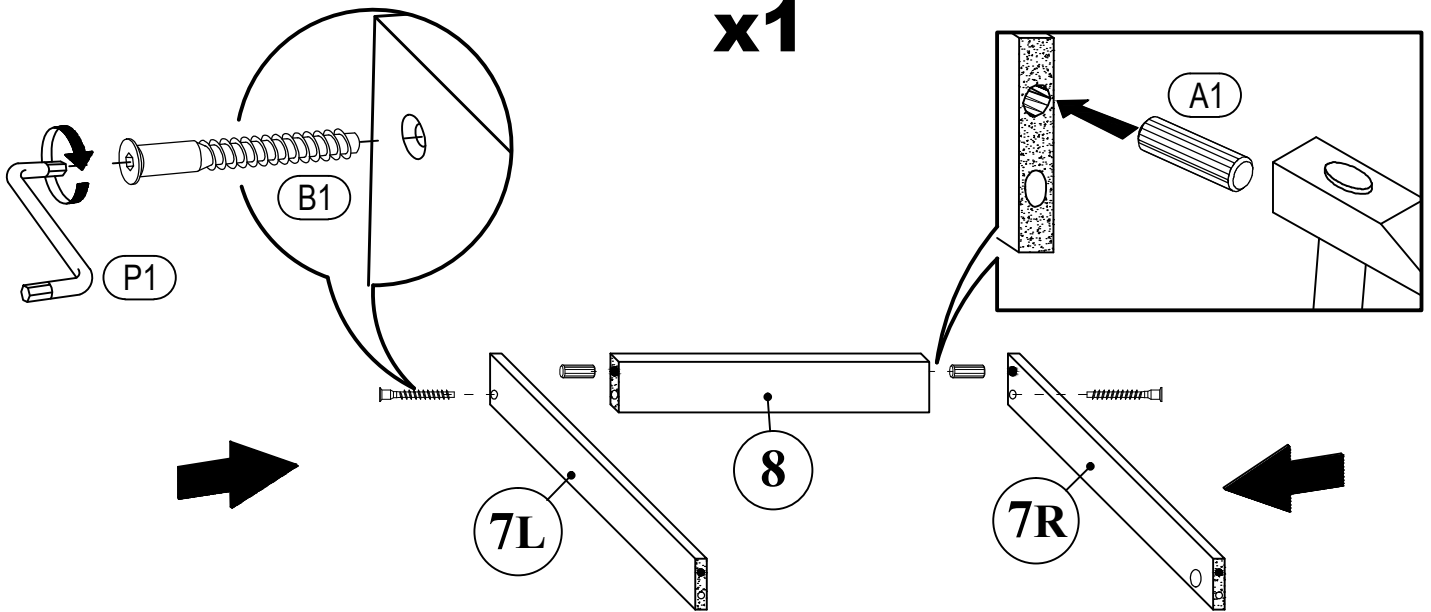
 K2	x4	 K3	x2	 E8	4*16mm	x20
---	----	--	----	---	--------	-----



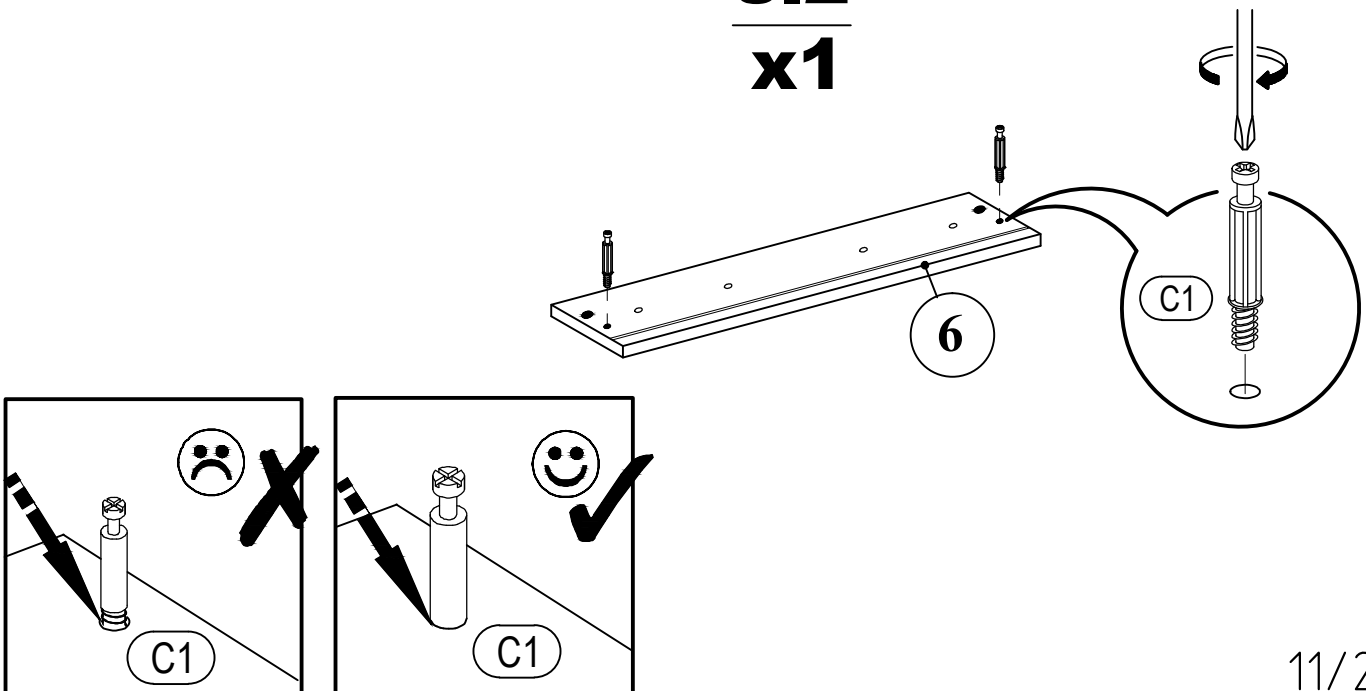
8

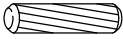

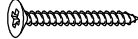

 A1 8*30mm x2	 C1 5*30mm x2	 B1 6,3*50mm x2
		 P1

**8.1**  
**x1**



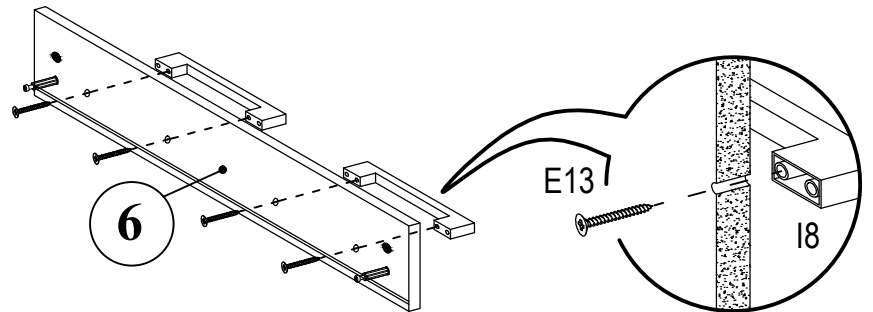
**8.2**  
**x1**



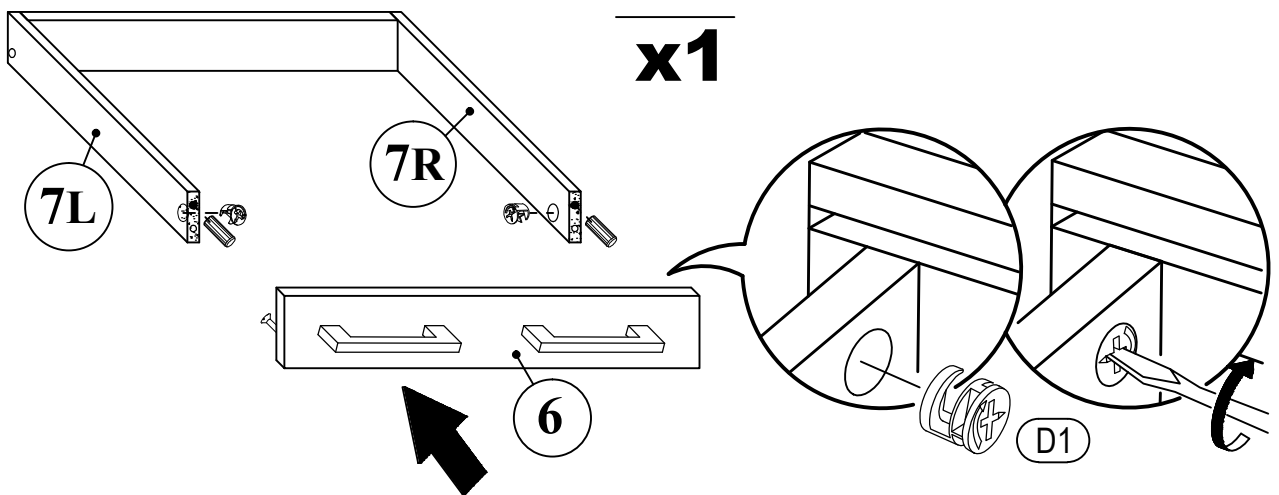
 <b>A1</b> 8*30mm x2	 <b>D1</b> 16mm x2	 <b>E13</b> 4*40mm x4	 <b>I8</b> x2
--	--	--	---

# 8

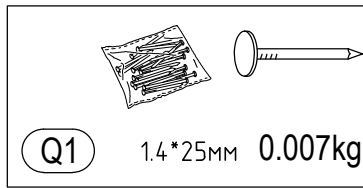
## 8.3 x1



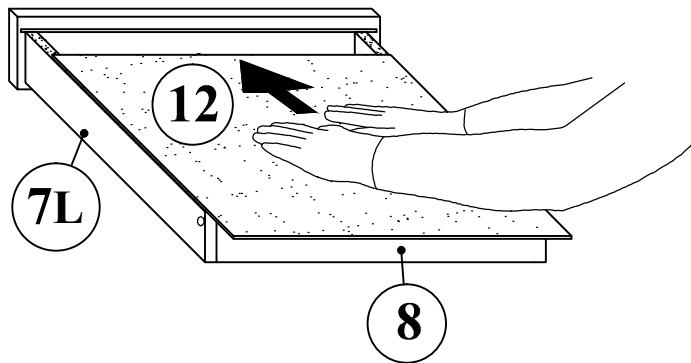
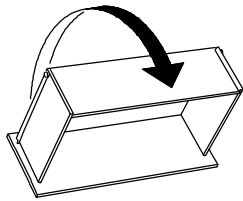
## 8.4 x1



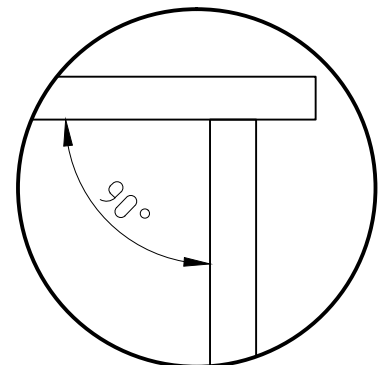
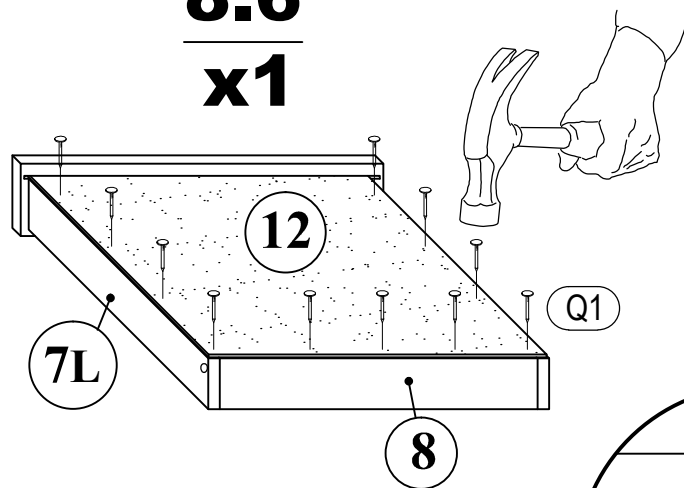
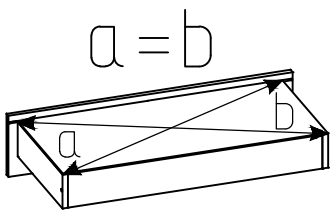
8





**8.5**  
**x1**



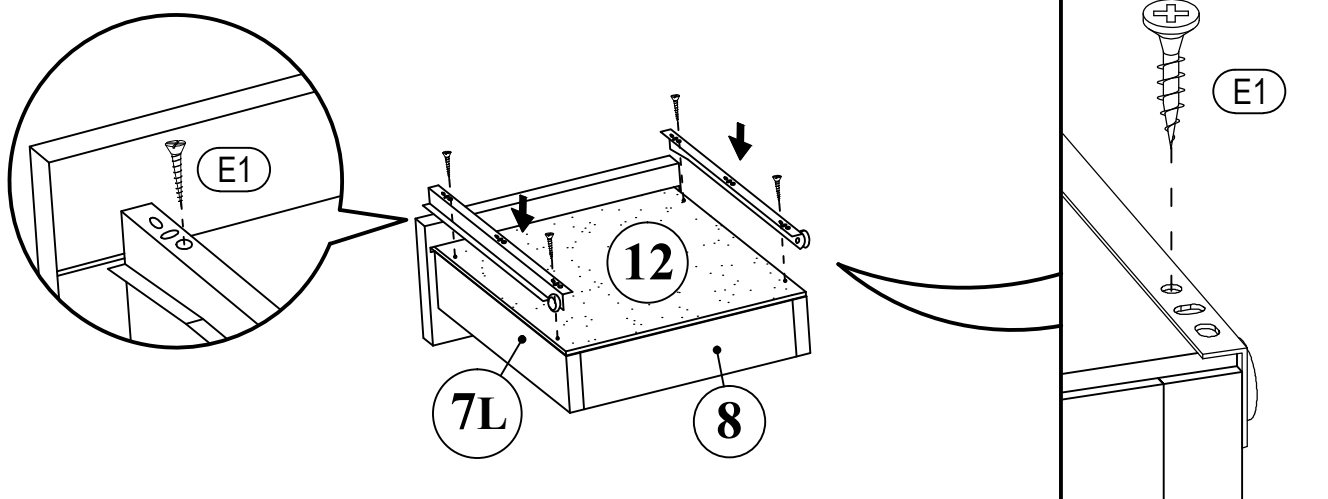
**8.6**  
**x1**




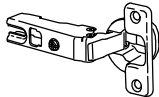
8

 (M1) L-400 x1	 (E1) 3*13mm x4
--	---

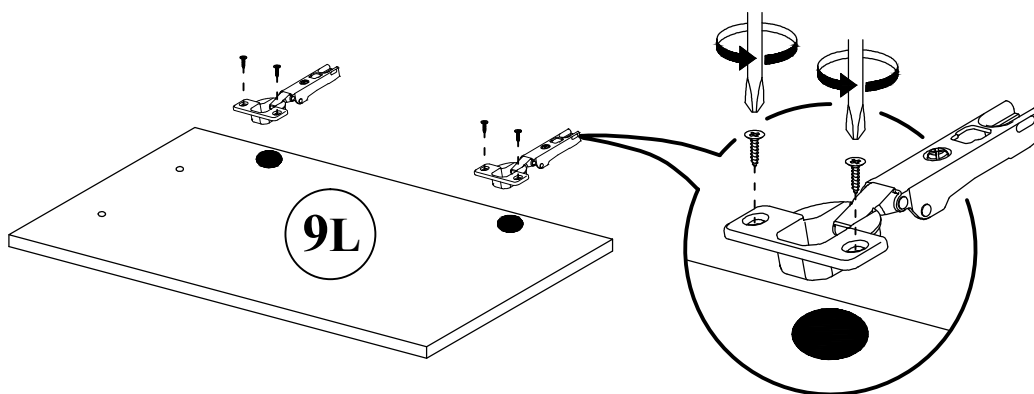
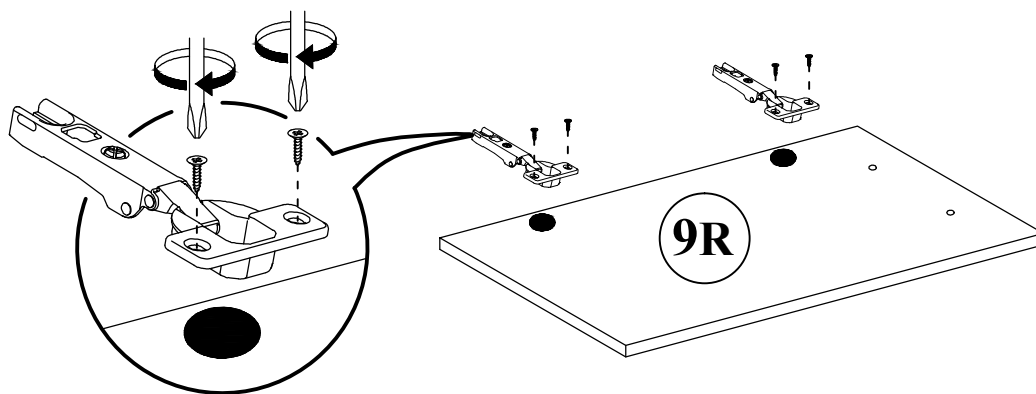
8.7  
x1



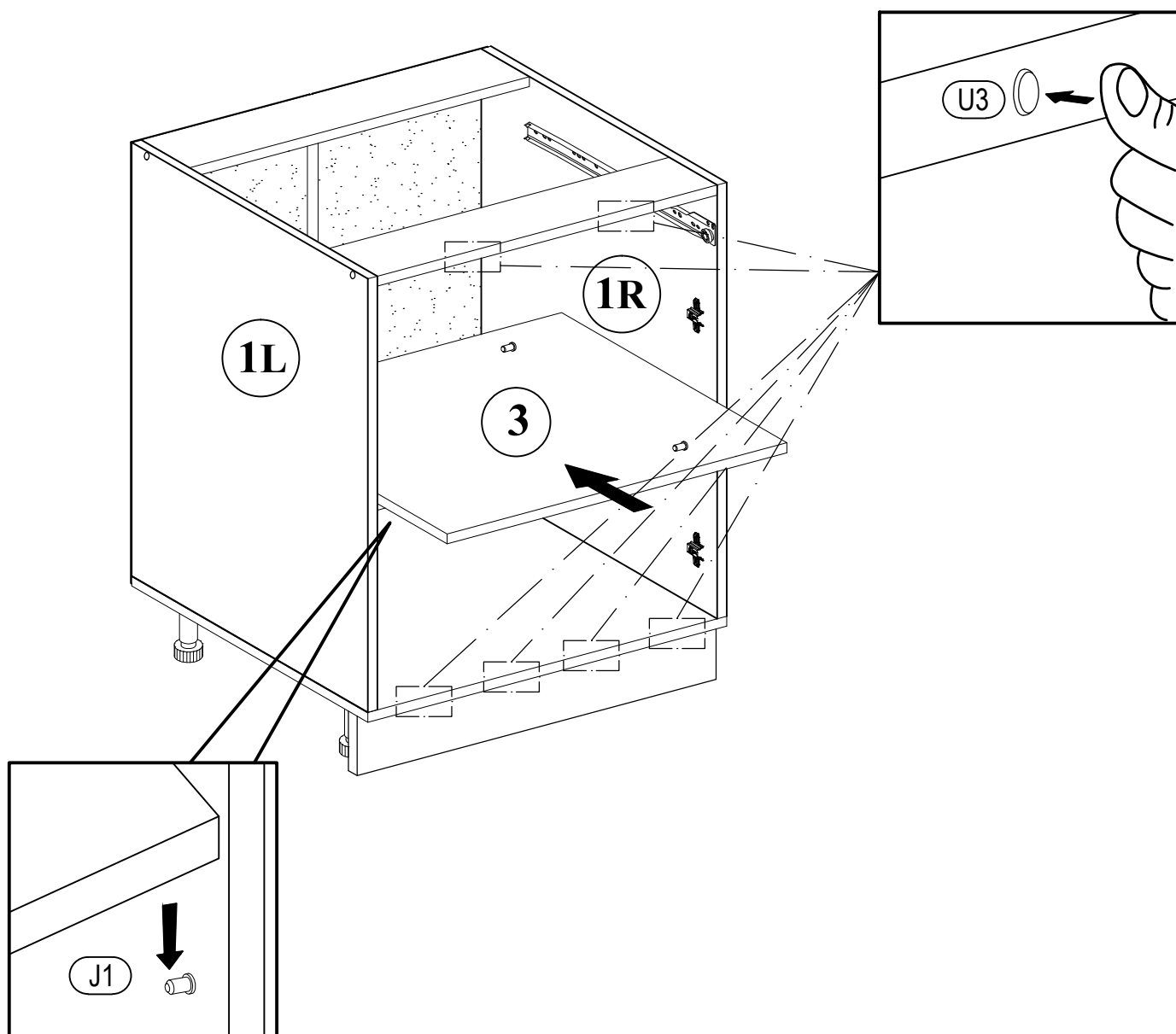
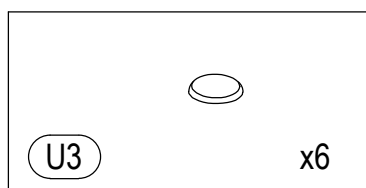
9

	
(E8) 4*16mm x8	(L1) x4

**9.1**  
**x2**

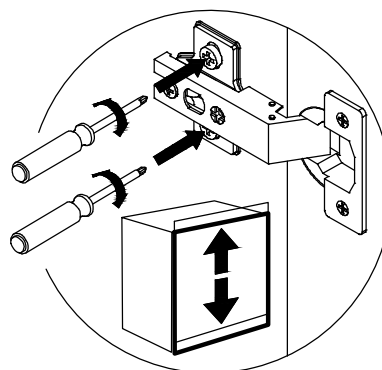
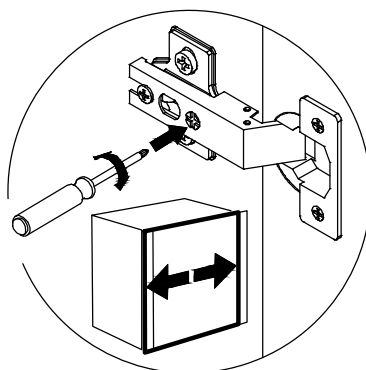
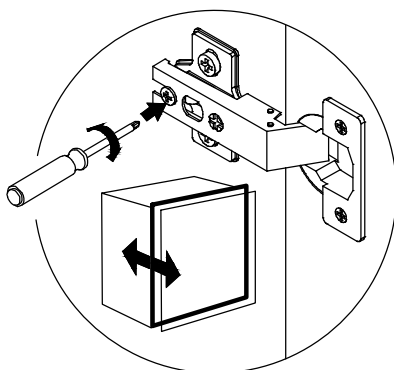
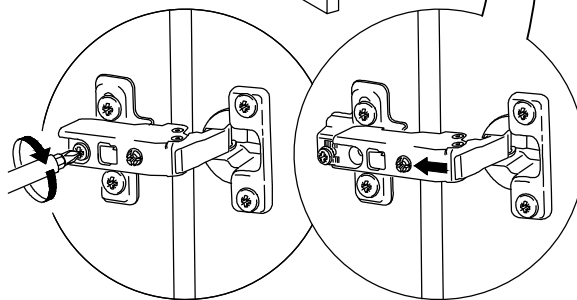
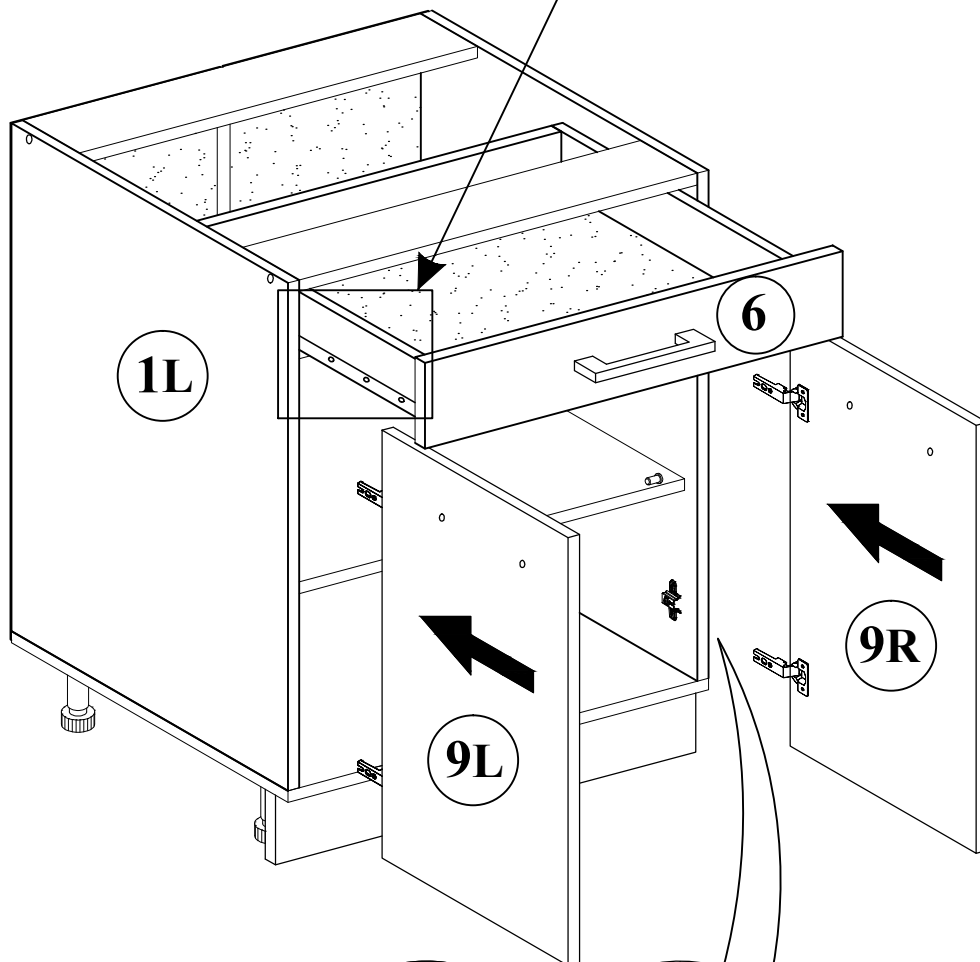
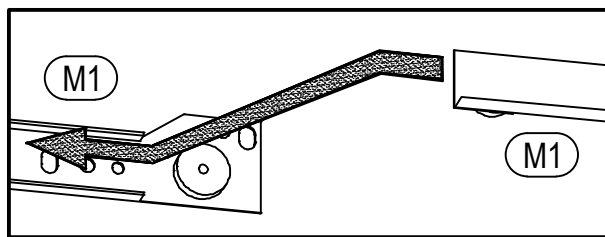


# 10







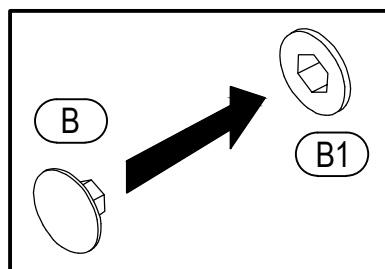
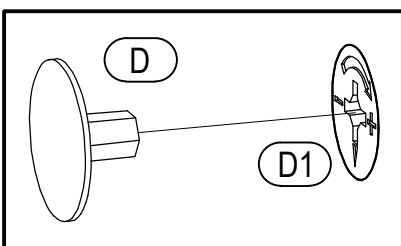
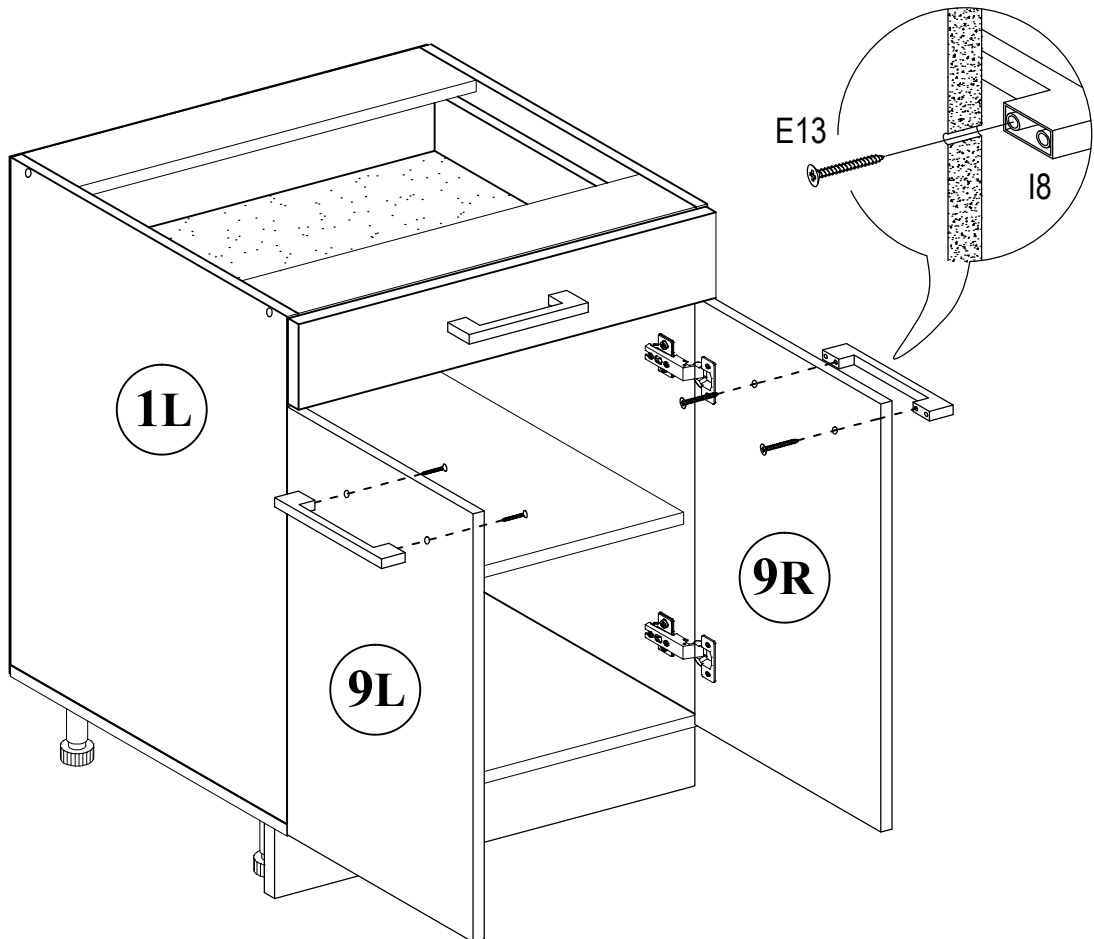


# 11



# 12

 E13 4*40mm x4	 I8 x2	 B x10
 D x2		



# 13

