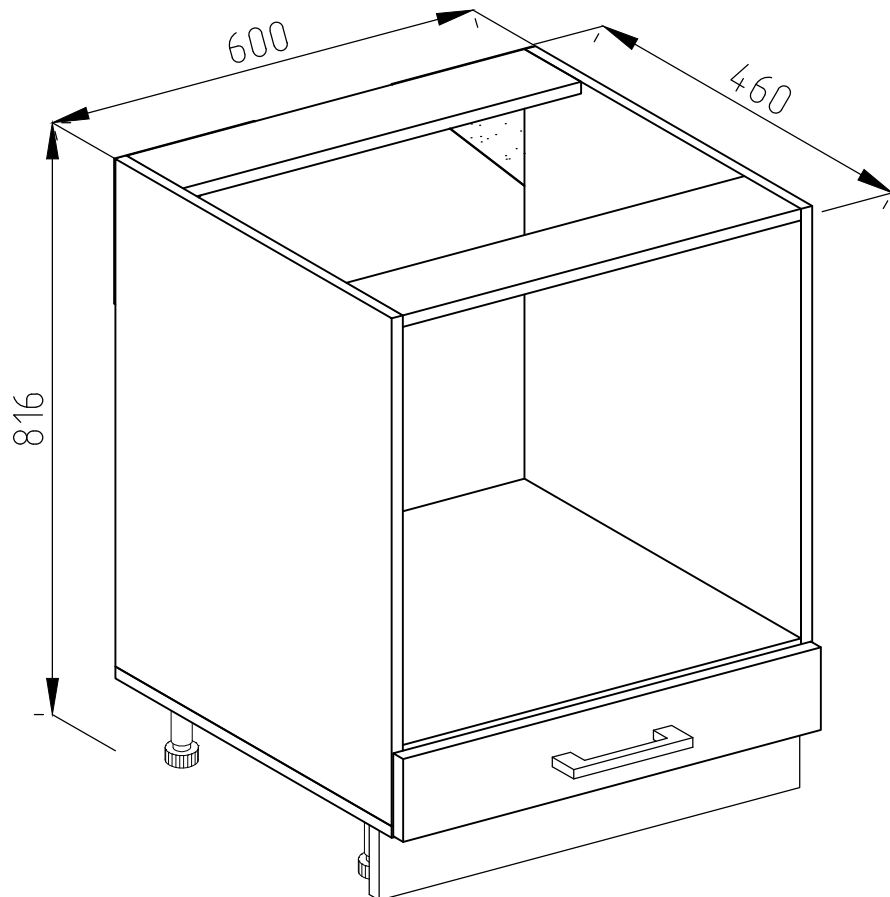
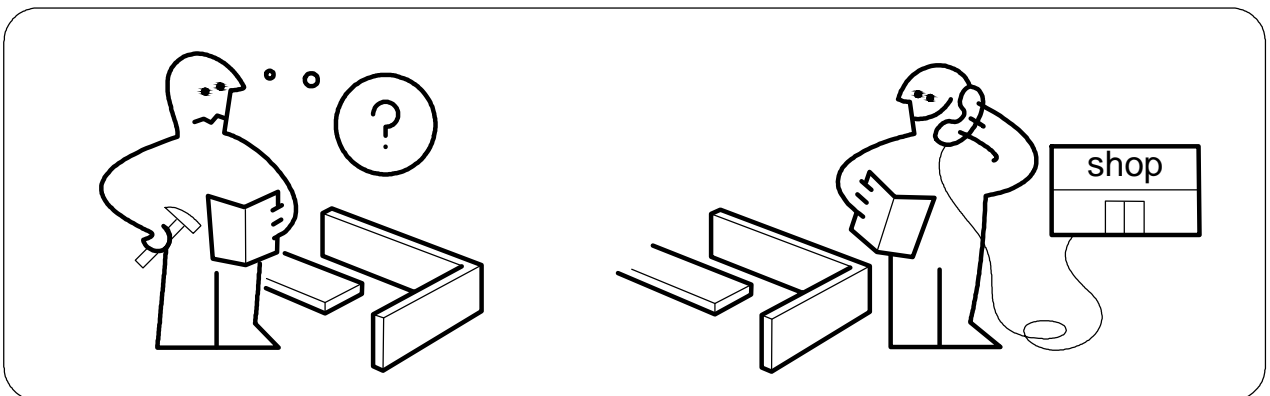
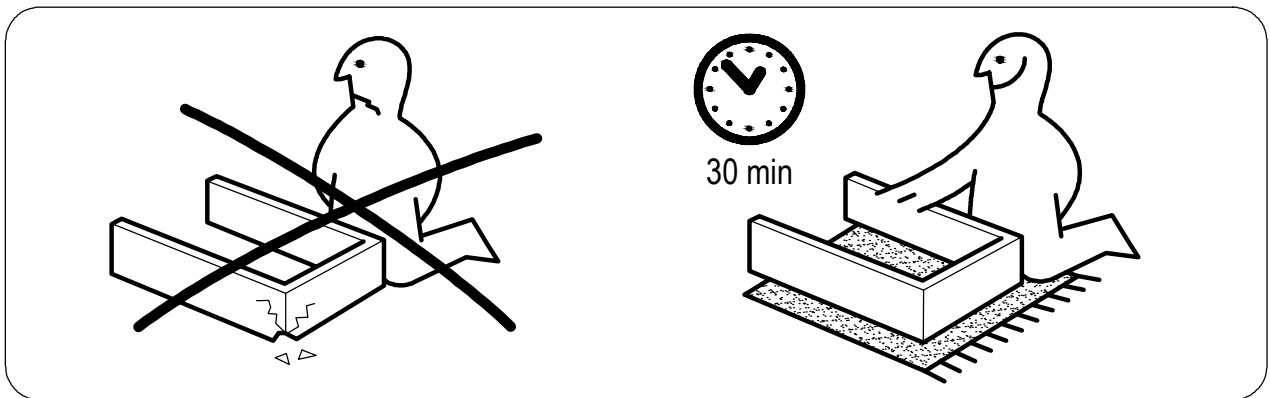
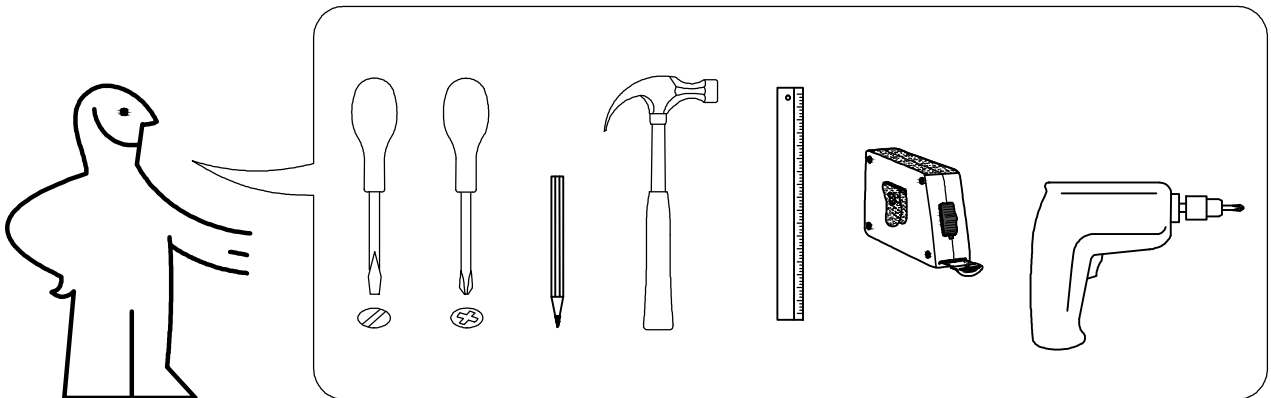










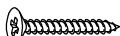



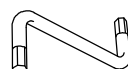

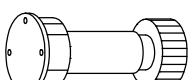
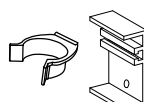

MARTHA

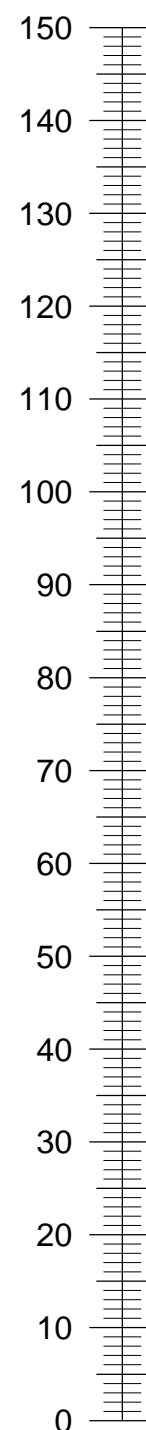
ALINA

D 60 R



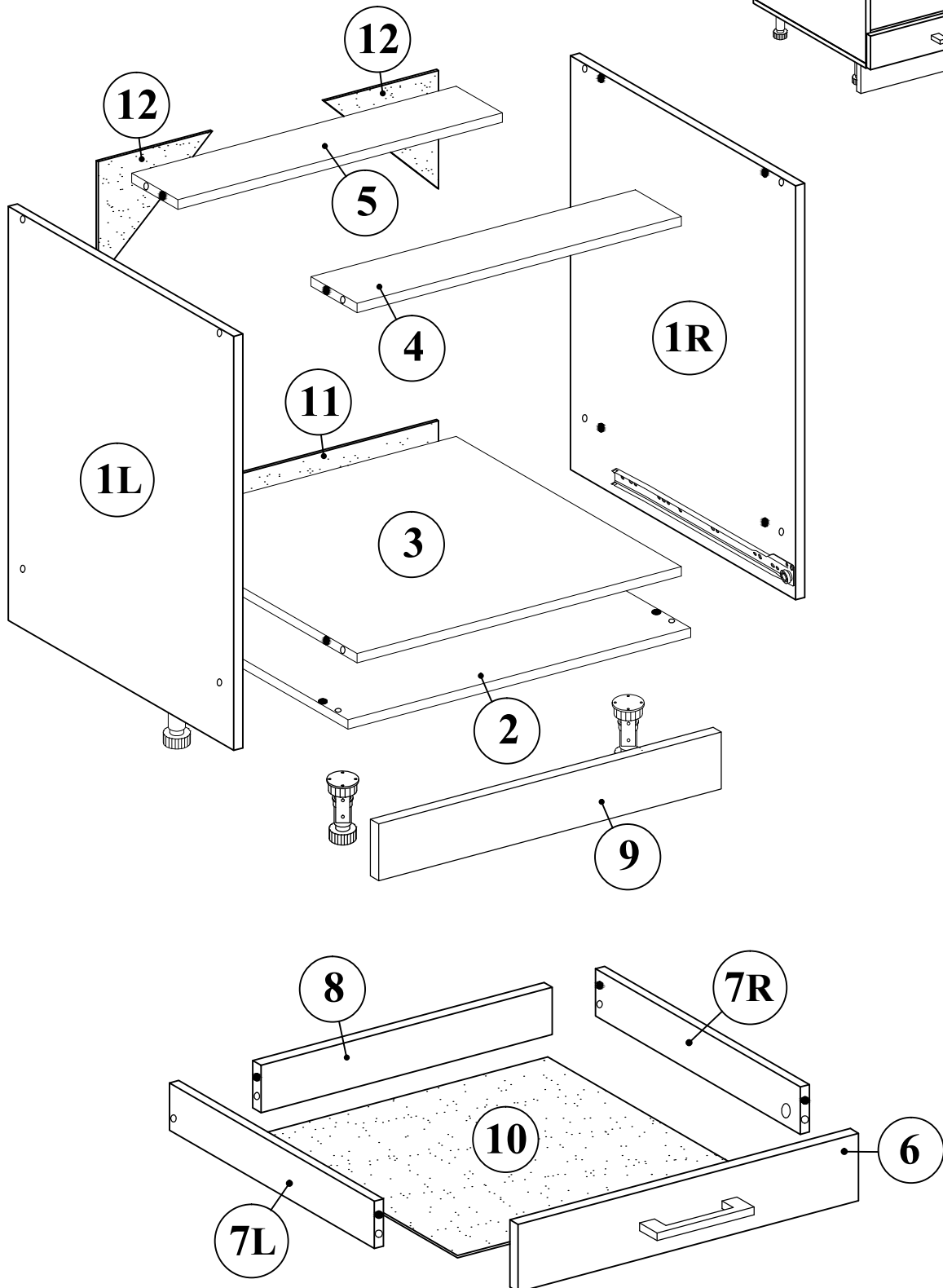
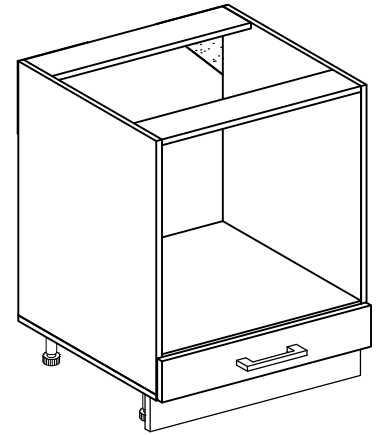





 A1 8*30mm x16	 B ø12mm x14	 B1 6,3*50mm x14
 D x2	 D1 16mm x2	 C1 5*30mm x2
 E2 3,5*16mm x10	 E8 4*16mm x20	 E11 4*30mm x8
 E13 4*40mm x2	 M1 L- 400 x1	 I8 x1
 P1 x1	 Q1 1.4*25MM 0.01kg	 K2 x4
 K3 x2	 U3 x2	



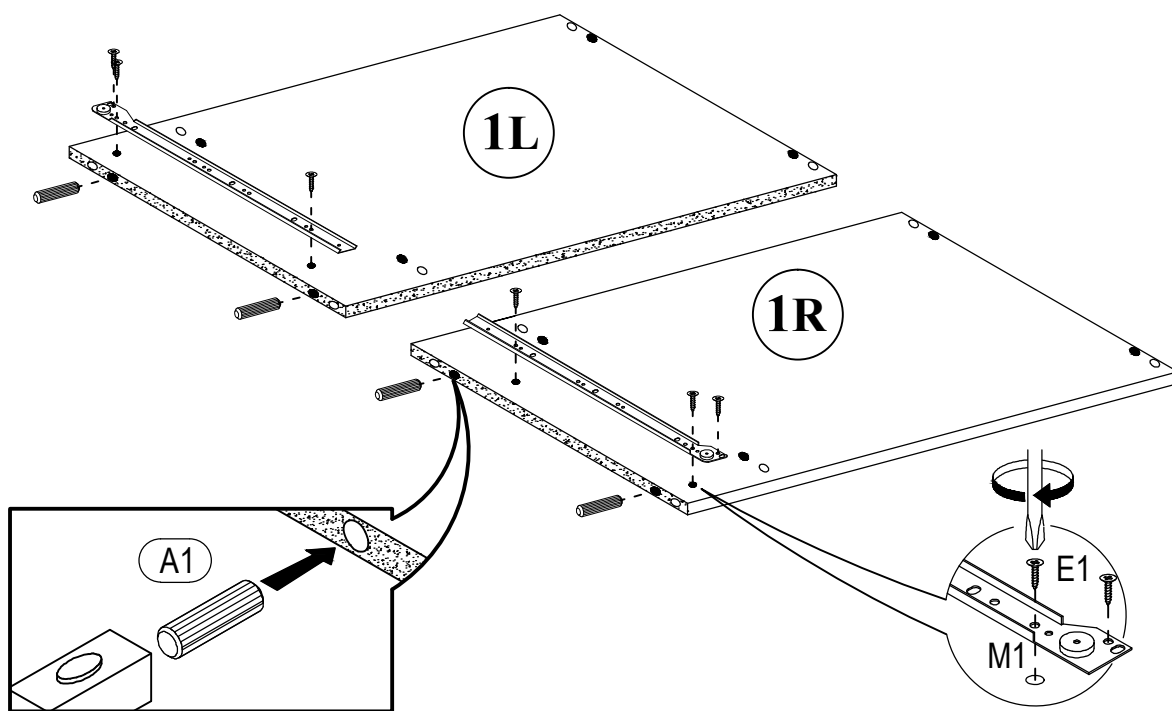
	a*b	M		a*b	M
1L	700x440	1	7 L	400x70	1
1R	700x440	1	7 R	400x70	1
2	600x440	1	8	510x70	1
3	567x440	1	9	599x96	1
4	567x90	1	10	404x540	1
5	567x90	1	11	596x120	1
6	596x114	1	12	200x200	2

Martha
Alina

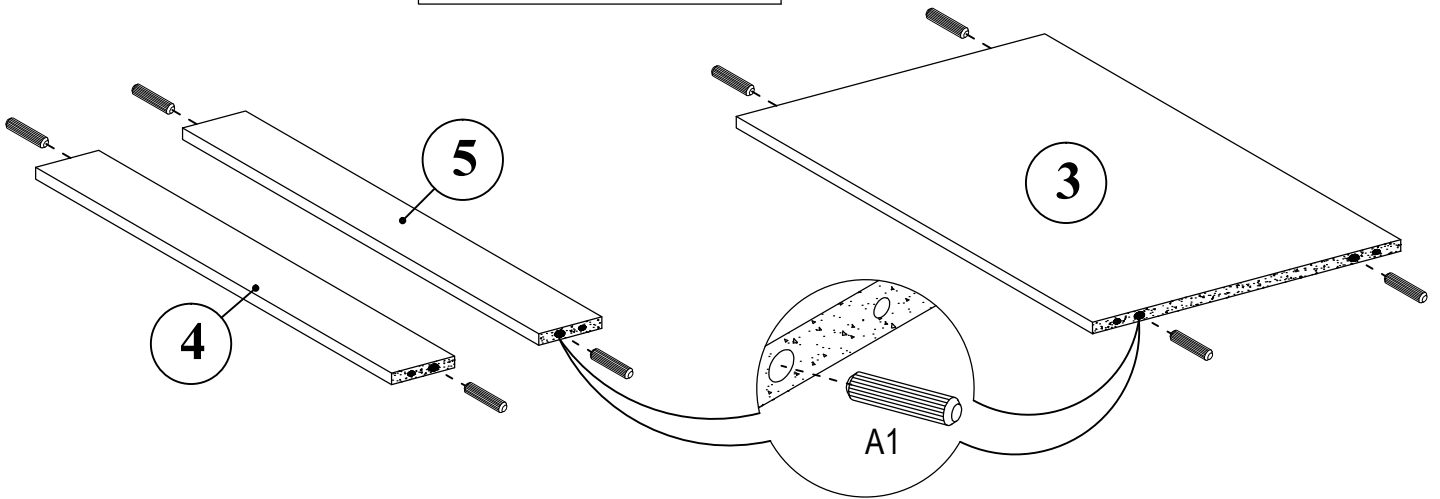
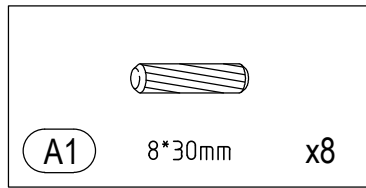


 A1 8*30mm x4	 E1 3,5*16mm x6	 M1 L-400 x1
--	--	---

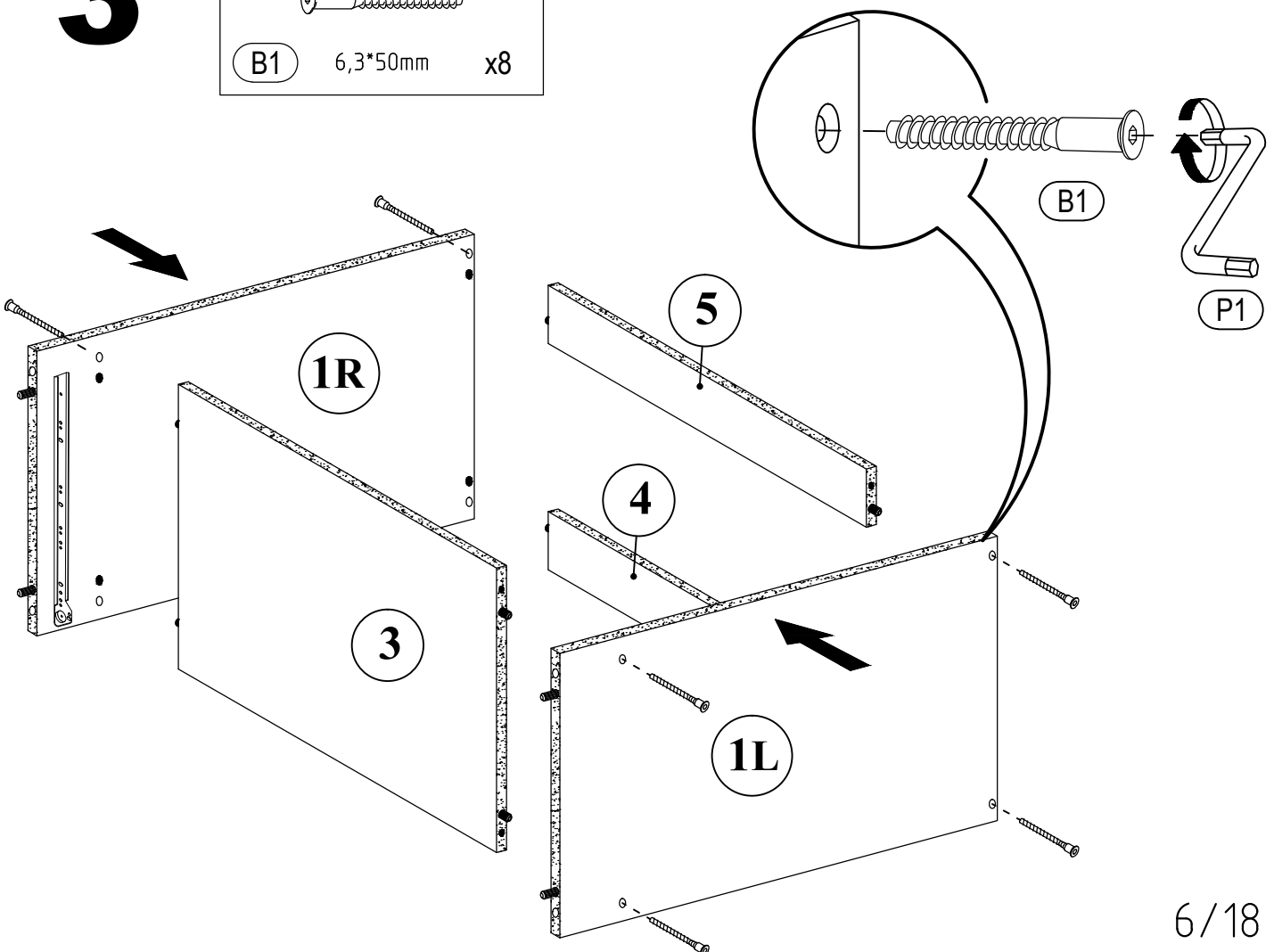
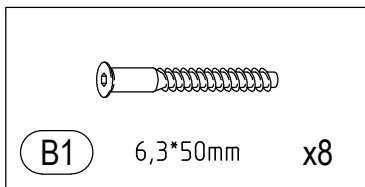
1



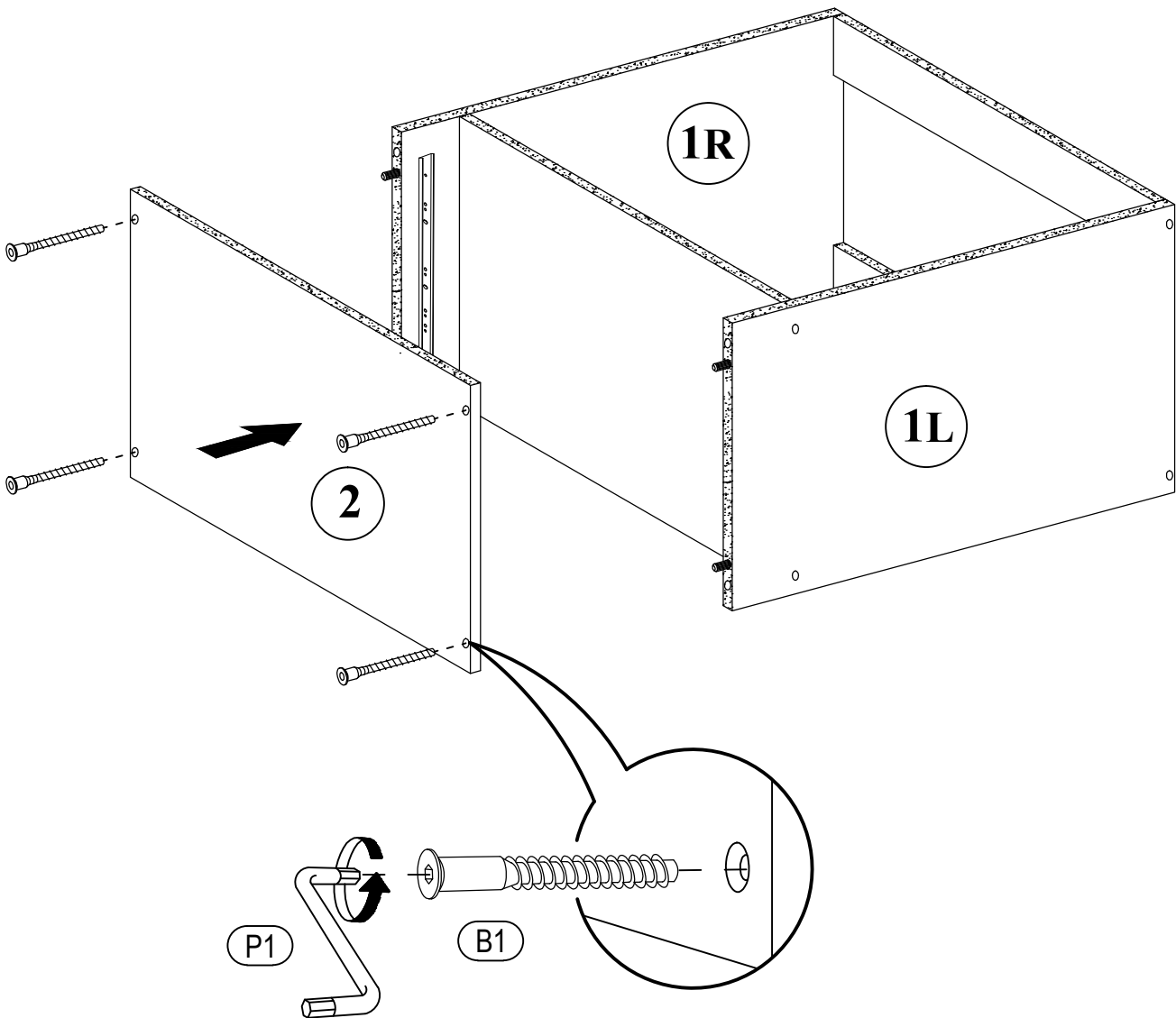
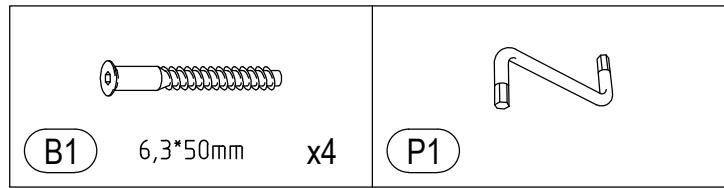
2



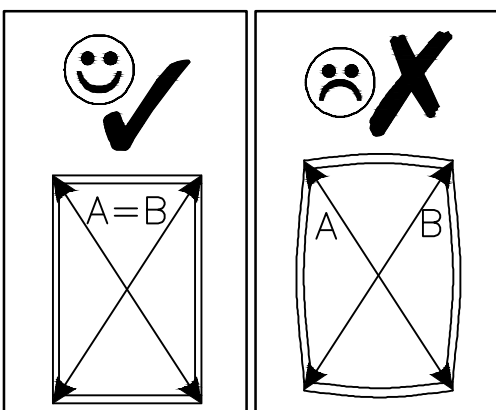
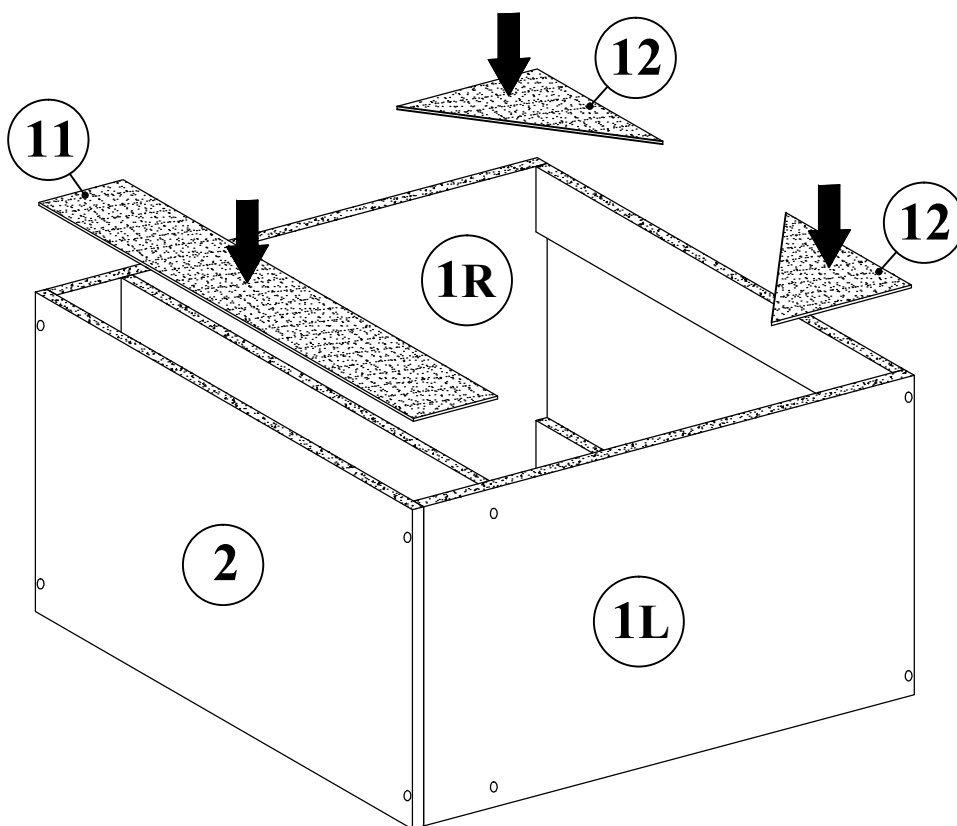
3



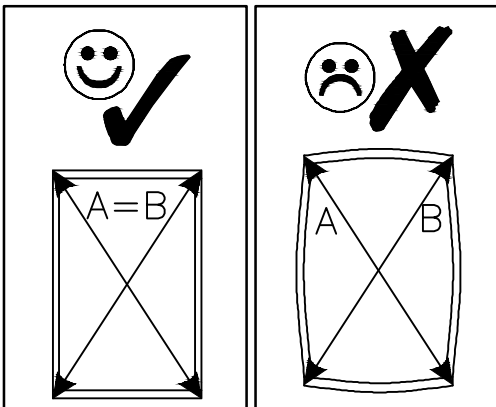
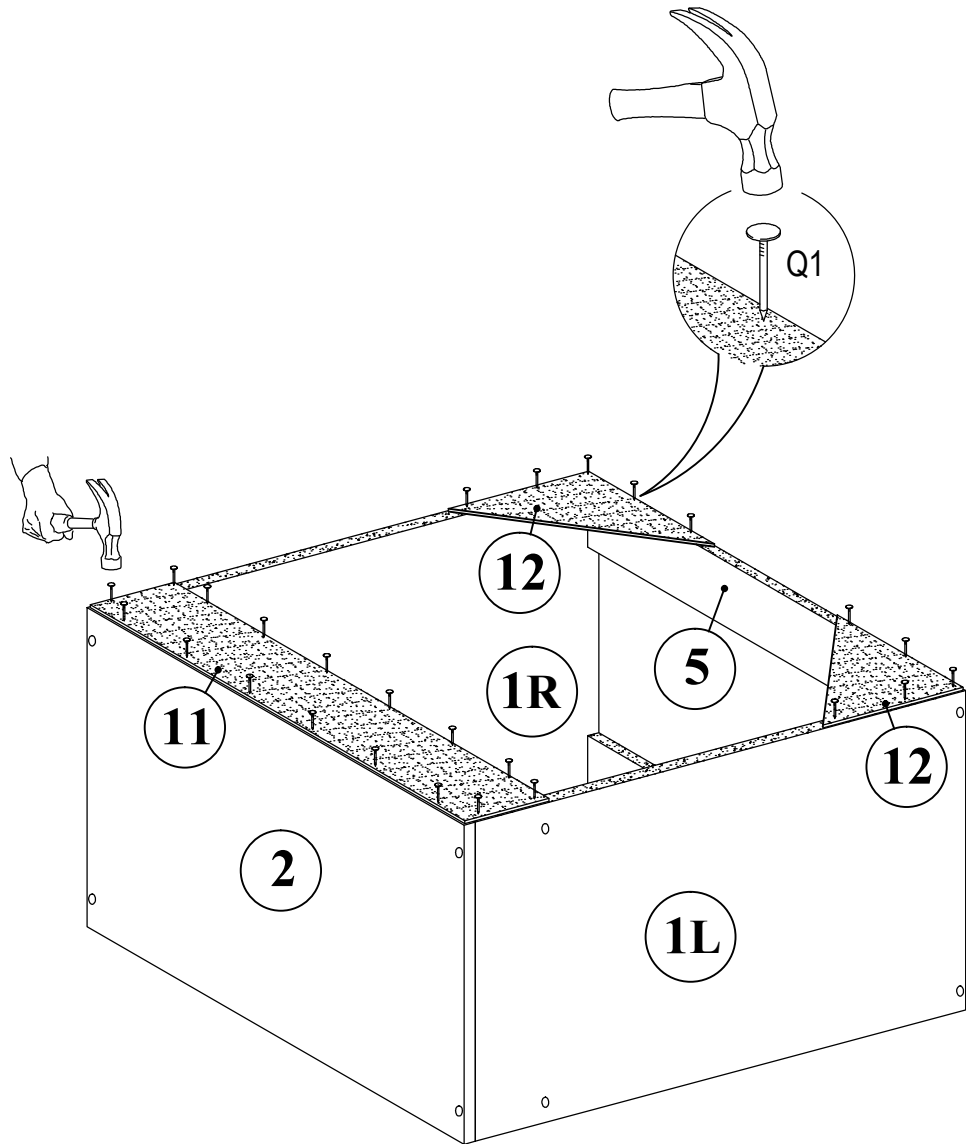
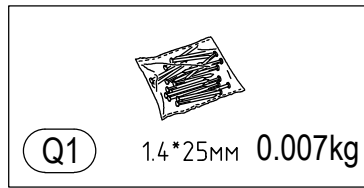
4



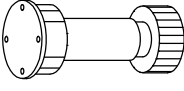
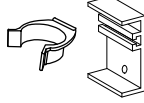
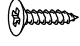
5

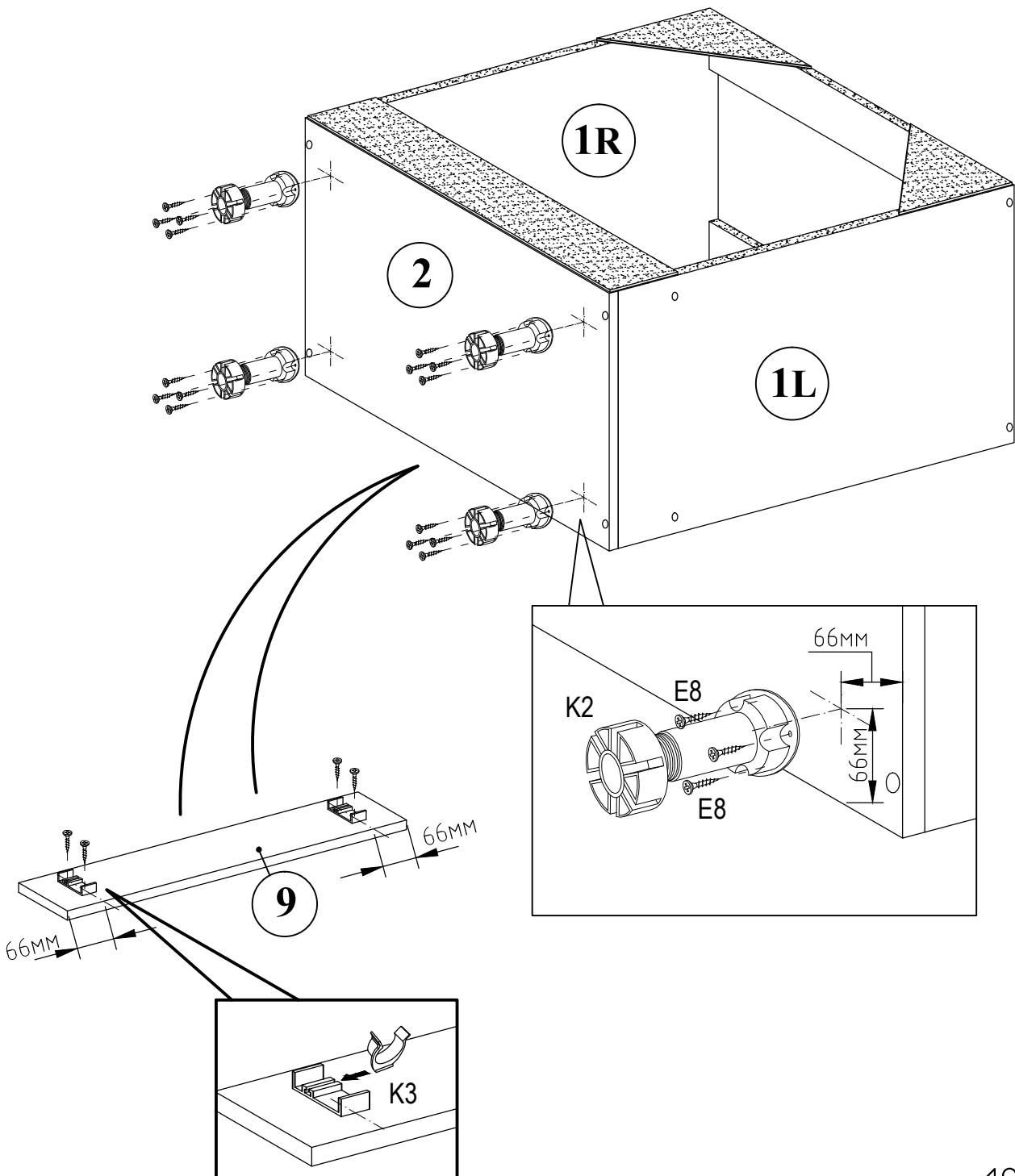


6



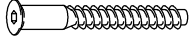
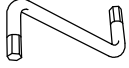


7

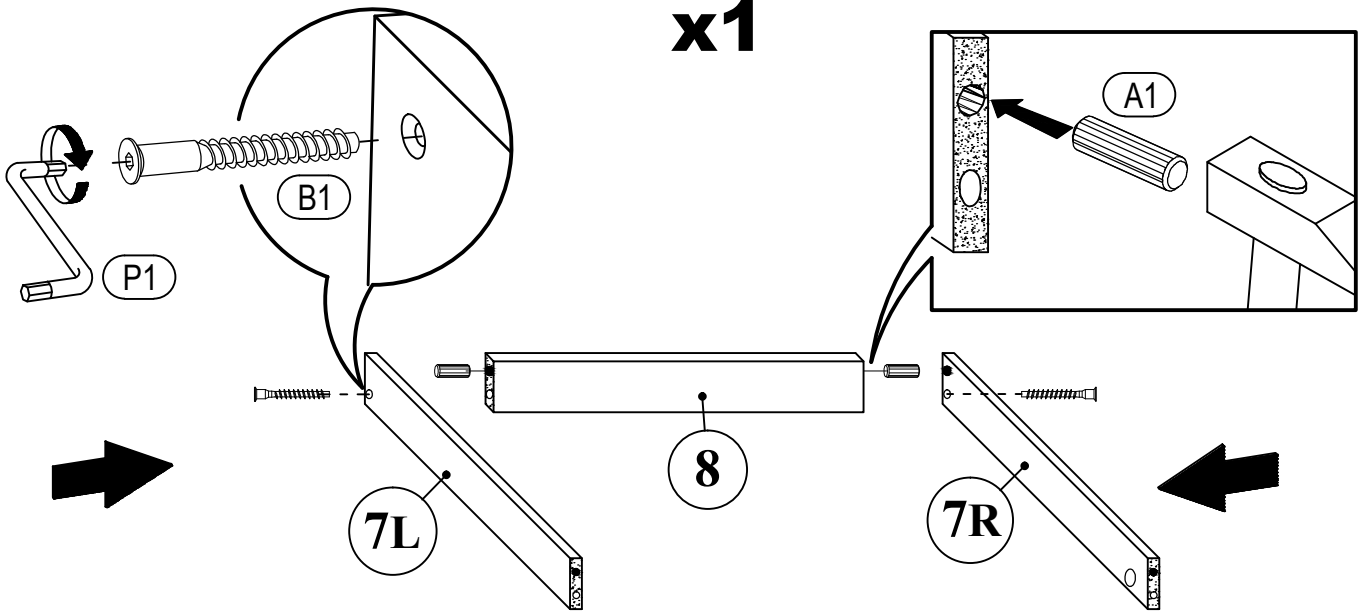
 K2	x4	 K3	x2	 E8	4*16mm	x20
---	----	---	----	---	--------	-----



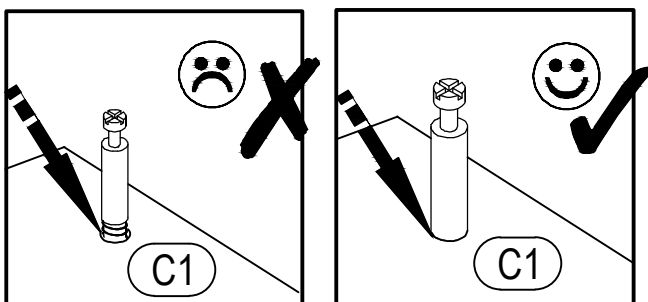
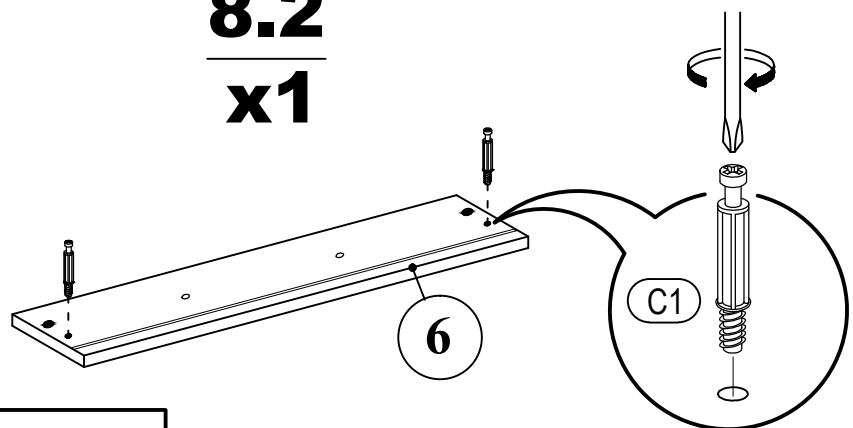
8

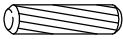

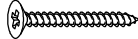

 A1 8*30mm x2	 C1 5*30mm x2	 B1 6,3*50mm x2
		 P1

8.1
x1



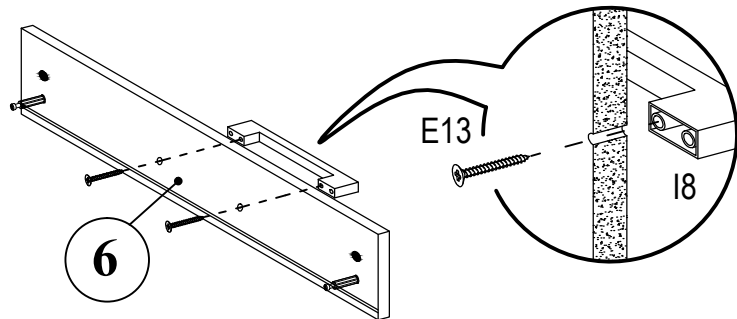
8.2
x1



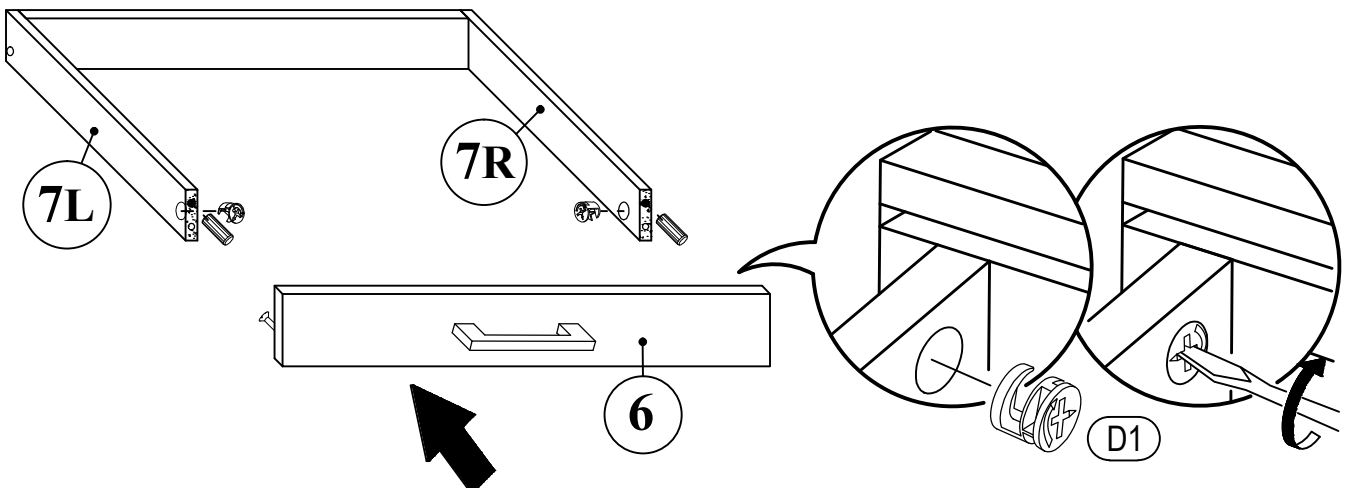
 A1 8*30mm x2	 D1 16mm x2	 E13 4*40mm x2	 I8 x1
---	---	---	--

8

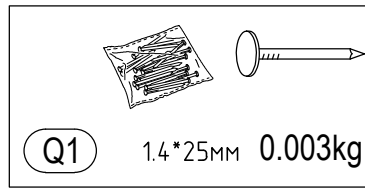
8.3 x1



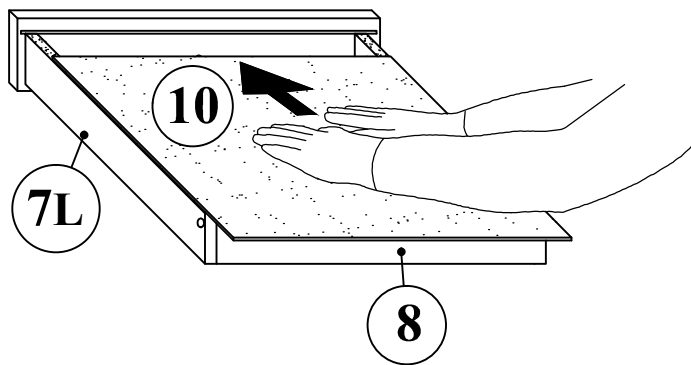
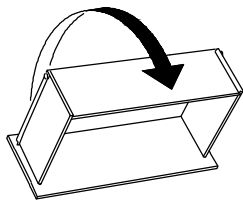
8.4 x1



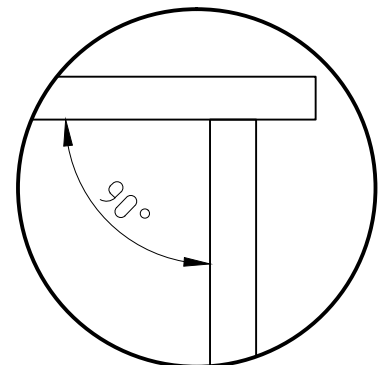
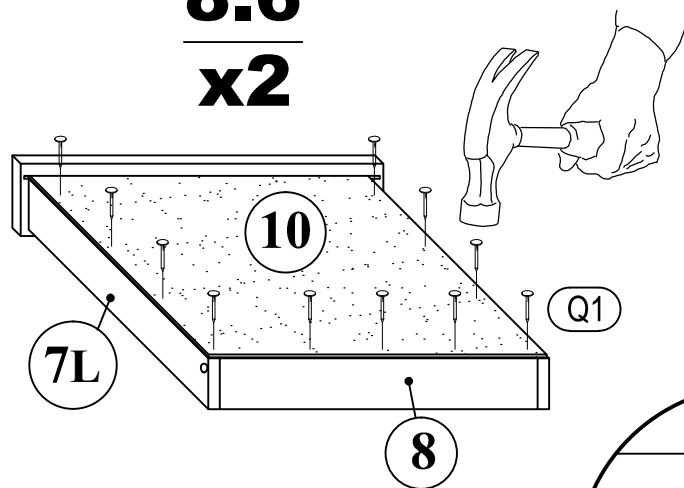
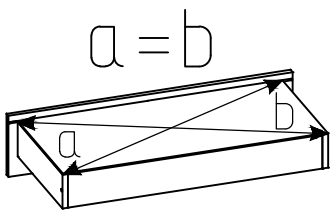
8




8.5
x2



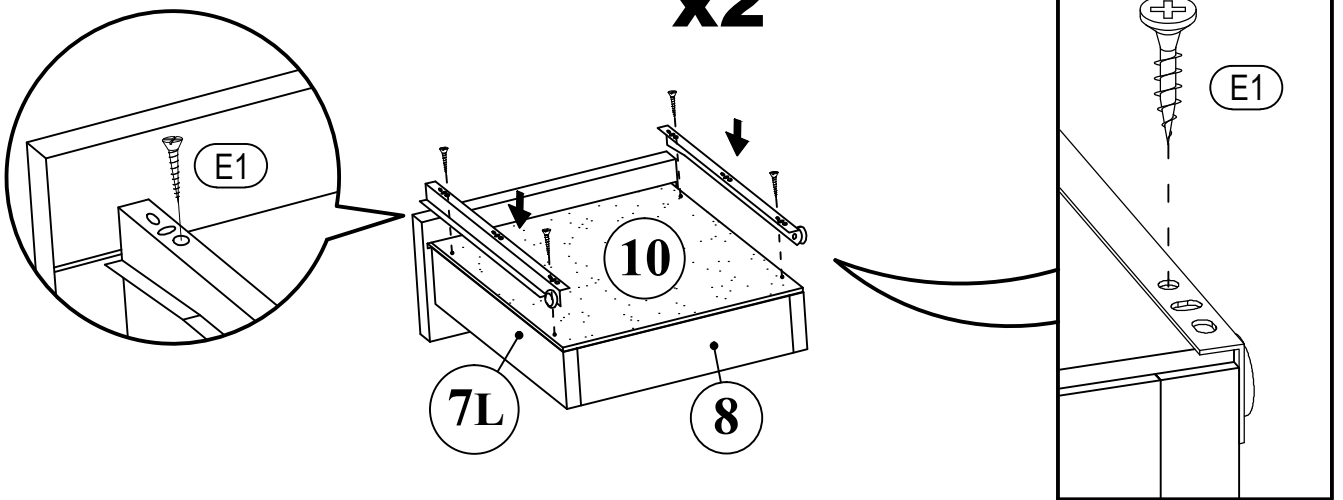
8.6
x2






8

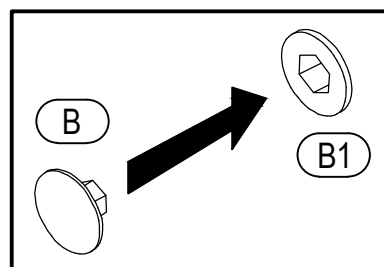
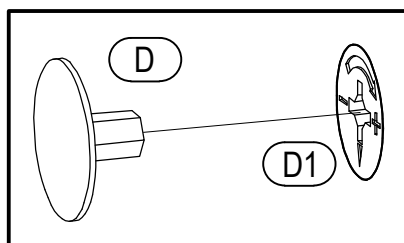
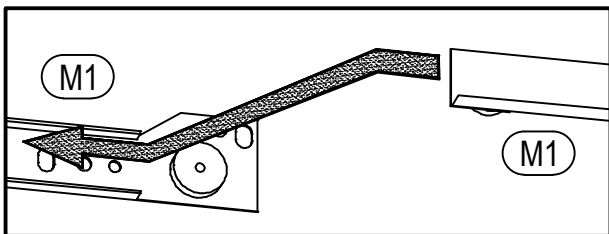
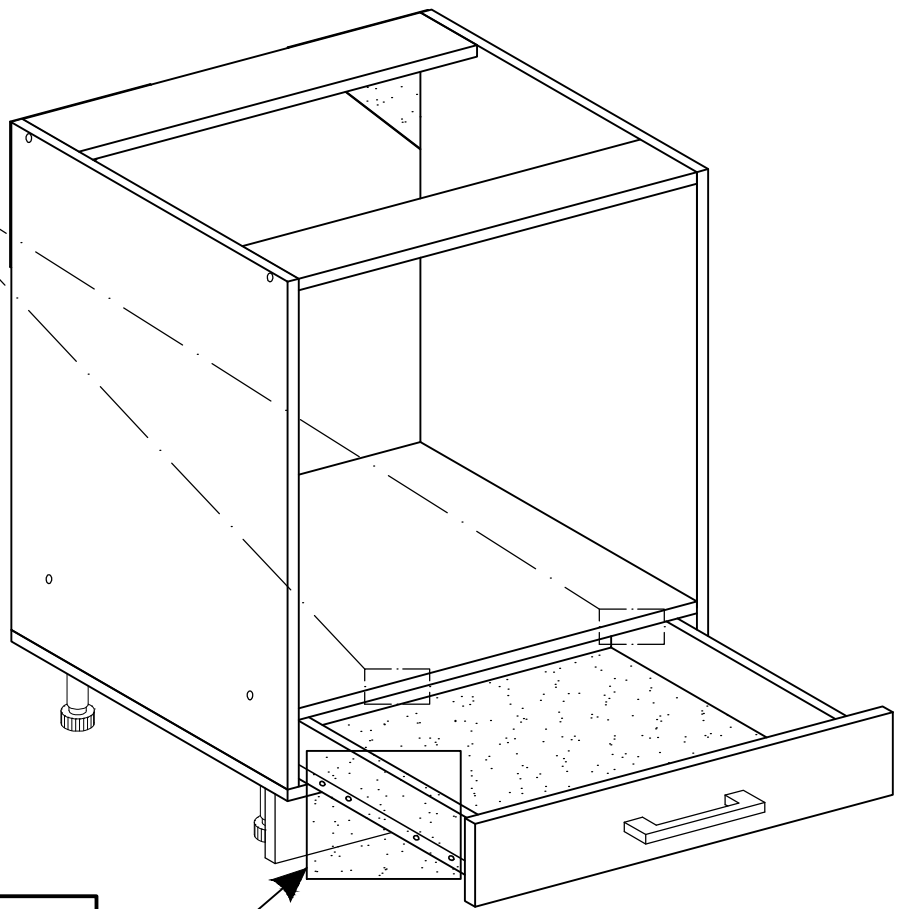
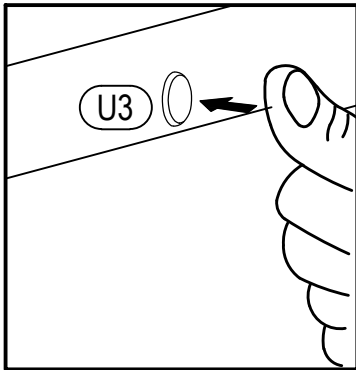
 (E1) 3,5*16mm x4	 (M1) L-400 x1
--	---

8.7
x2

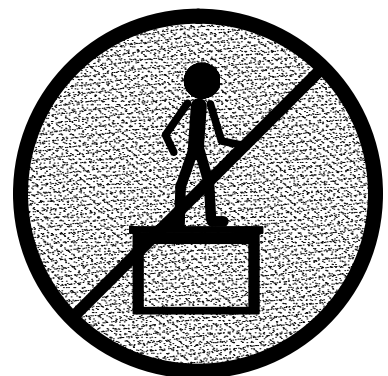
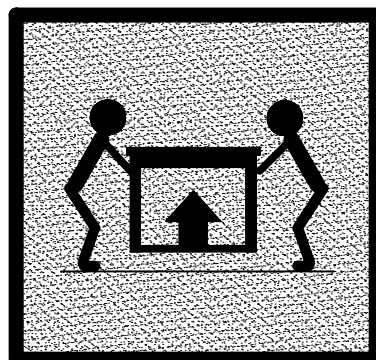
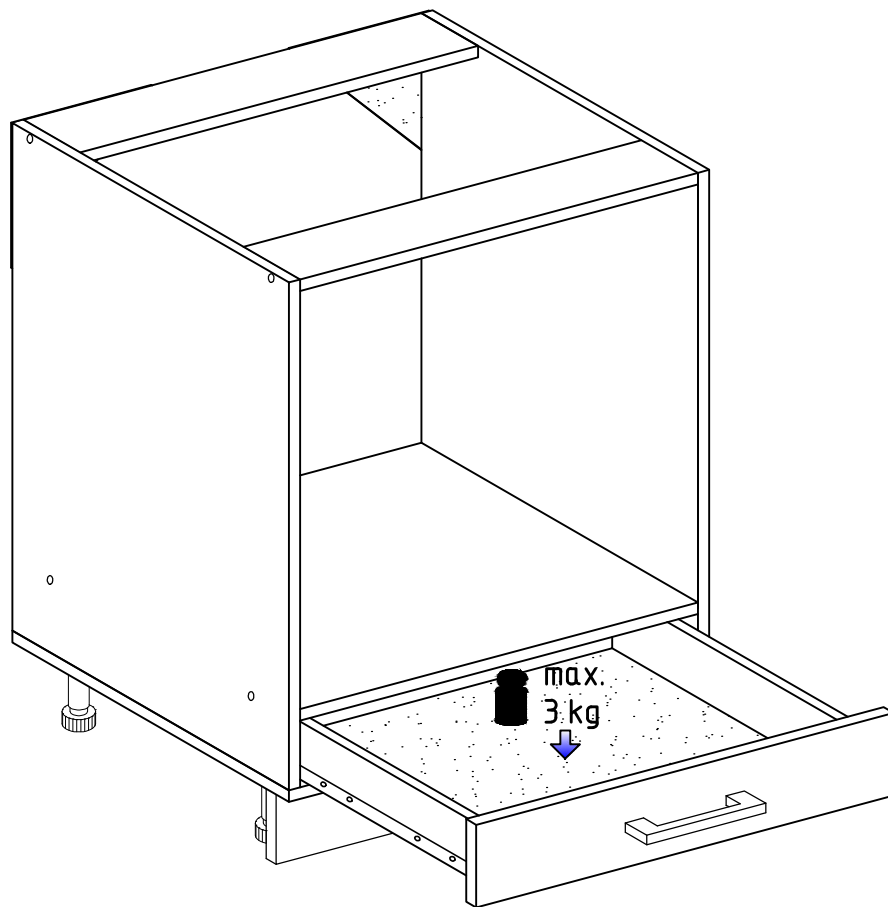


9

 B	x10	 D	x2	 U3	x2
--	-----	--	----	---	----



10



11

