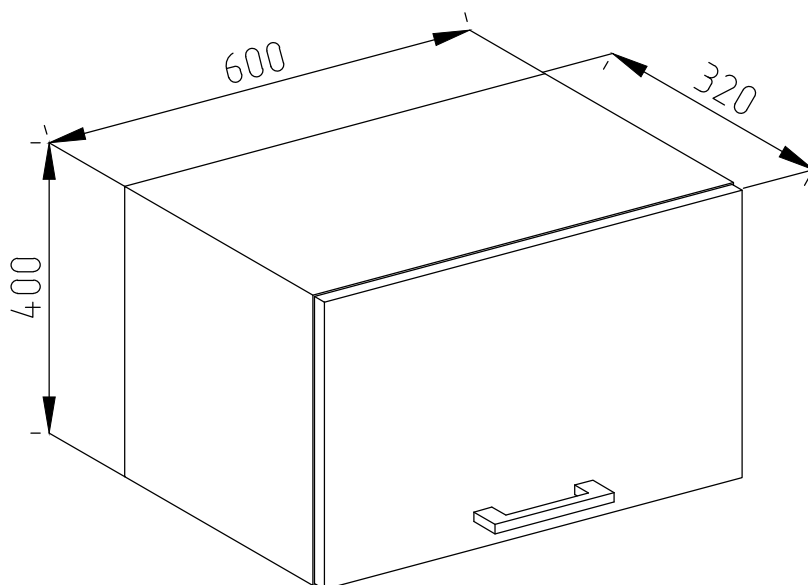
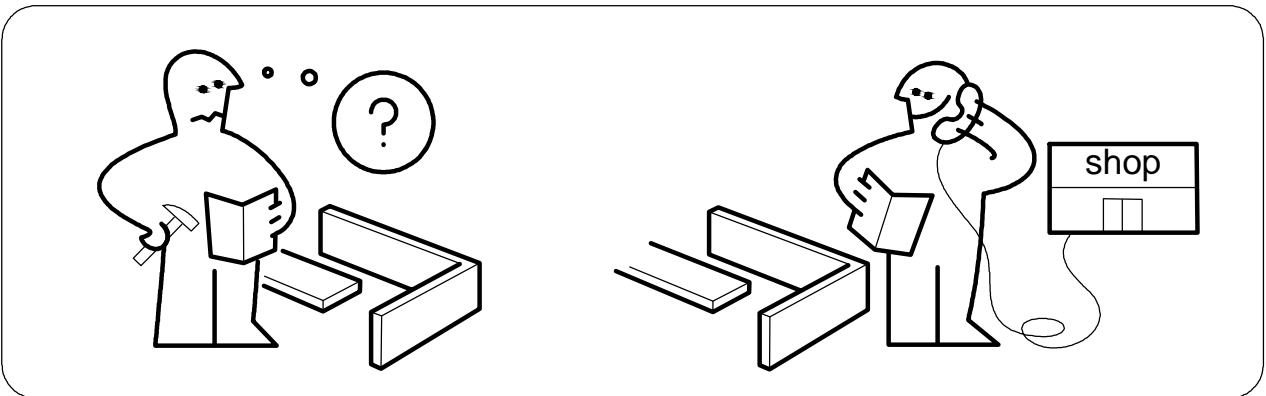
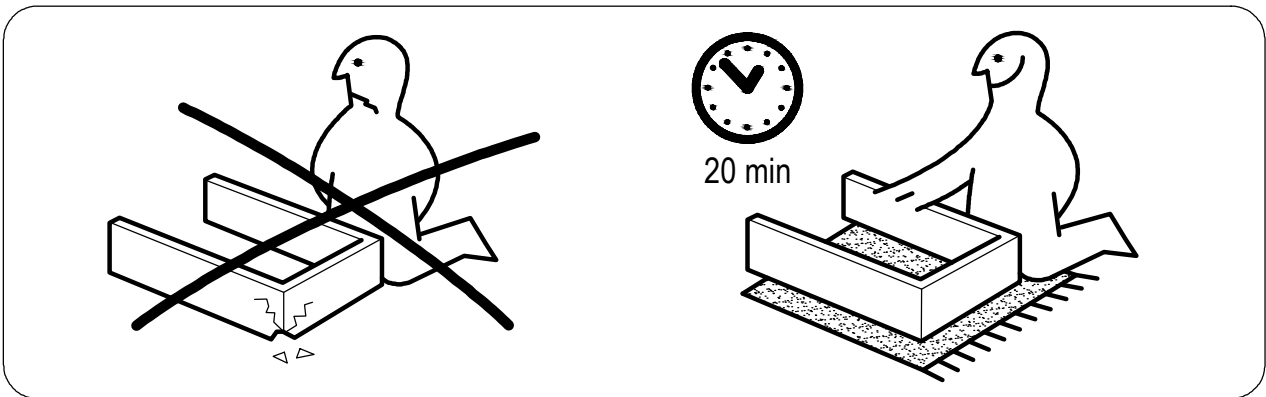
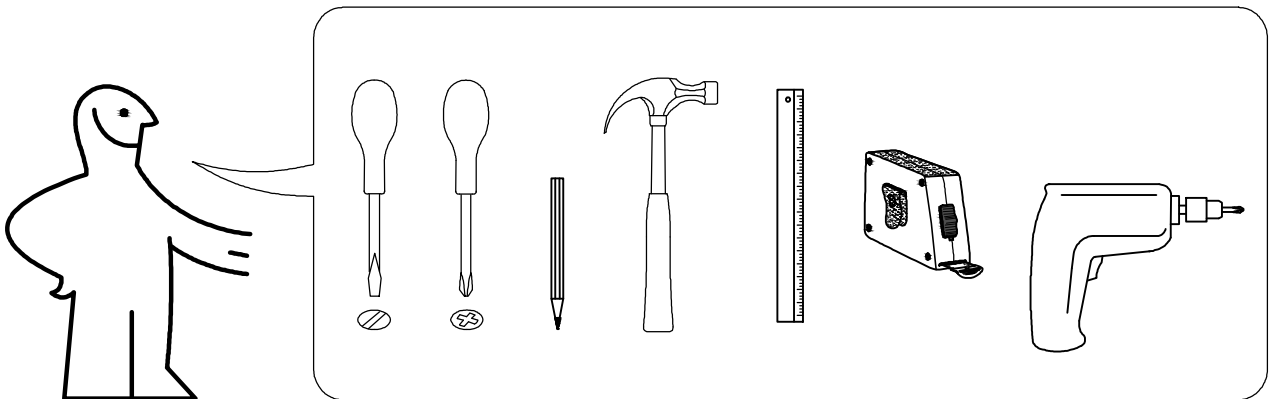





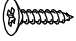

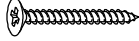
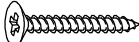

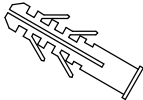

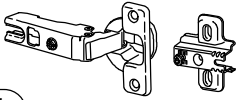

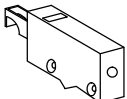
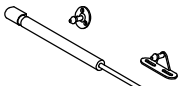
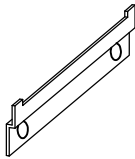
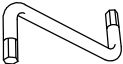

MARTHA

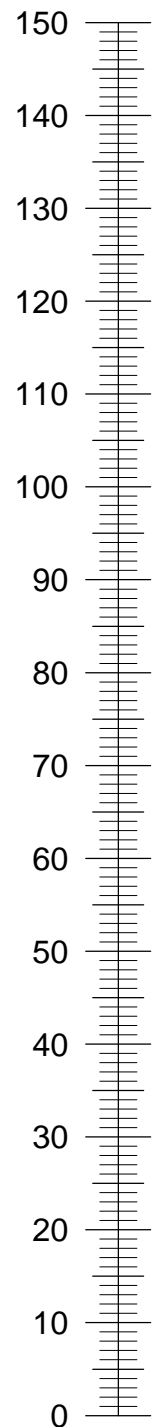
ALINA

Окап 60



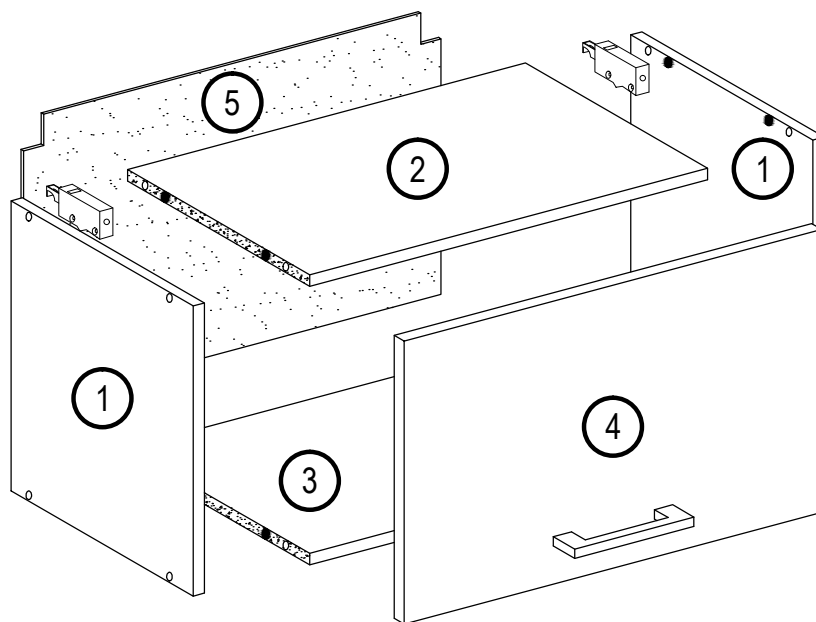
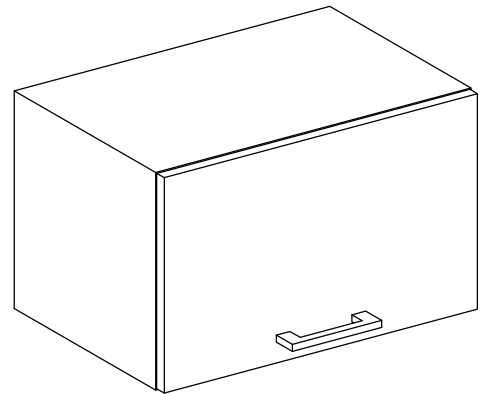


 A1 8*30mm x8	 B \varnothing 12mm x8	 B1 6,3*50mm x8
 E8 4*16mm x14	 E11 4*30mm x8	 E13 4*40mm x2
 E20 6*60mm x4	 F1 6,3*13mm x4	 H6 10*50mm x4
 I8 x1	 L1 x2	 Q1 1.4*25mm 0.01kg
 N1 x2	 N3 x2	 O4 x2
 P1 x1	 U3 x2	

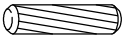




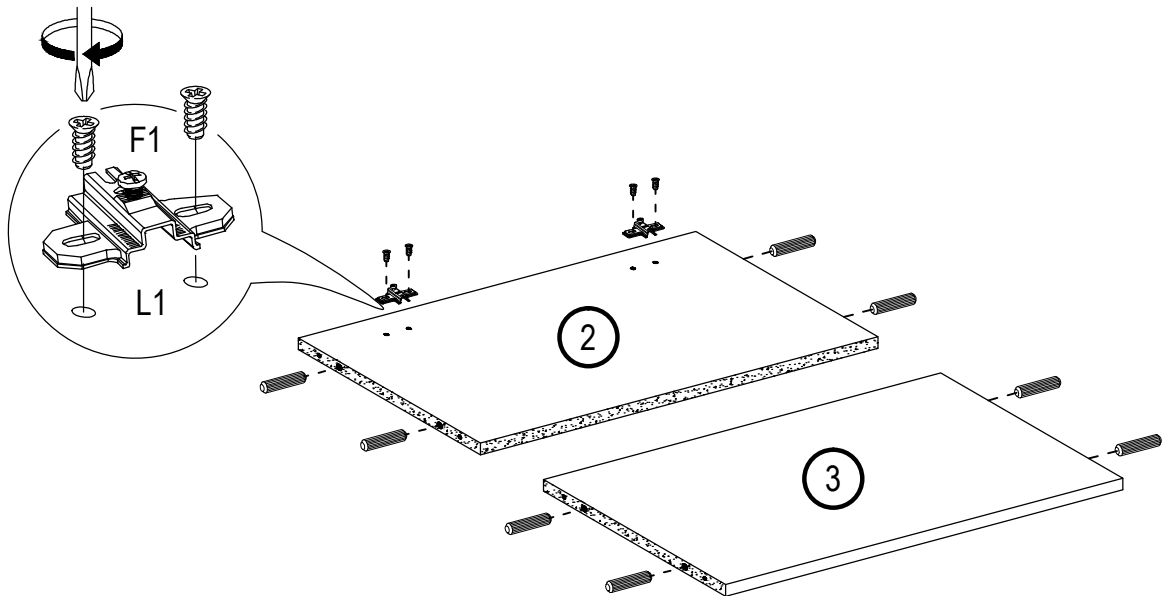
	a*b	M ²
1	400x300	2
2	567x300	1
3	567x300	1
4	596x396	1
5	596x396	1

*Martha
Alina*


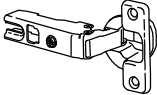


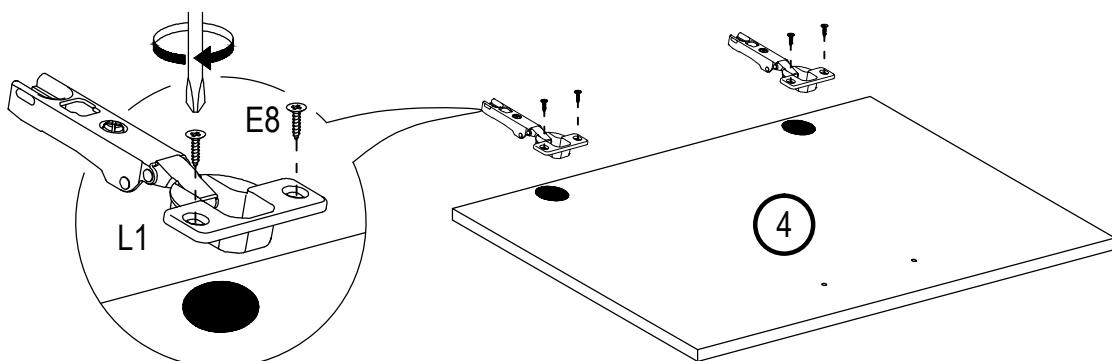
1

 A1 8*30mm x8	 F1 6,3*13mm x4	 L1 x2
---	---	--

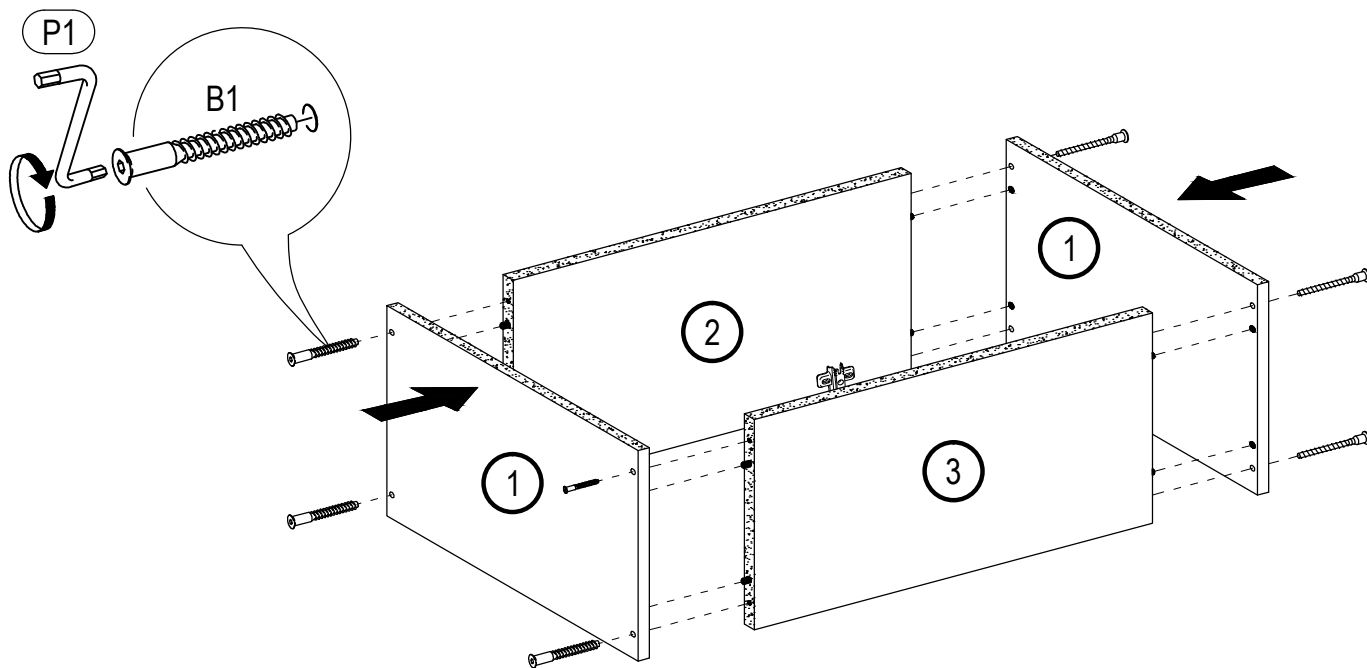
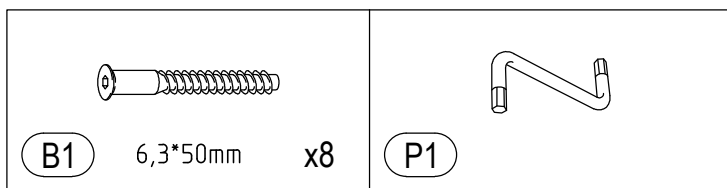


2

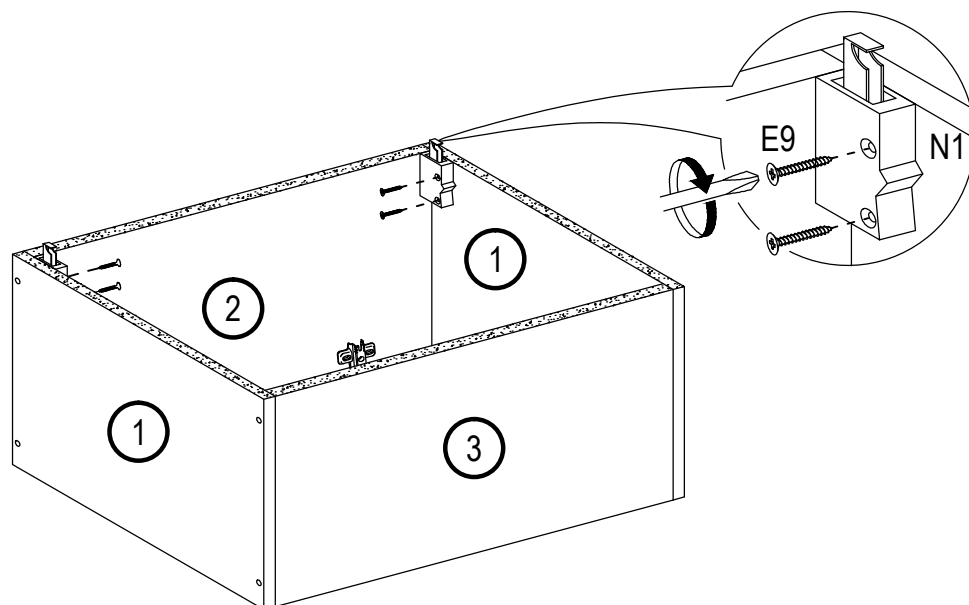
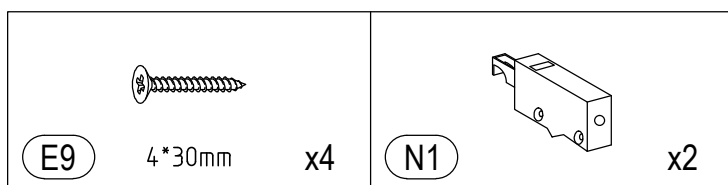
 E8 4*16mm x4	 L1 x2
---	--



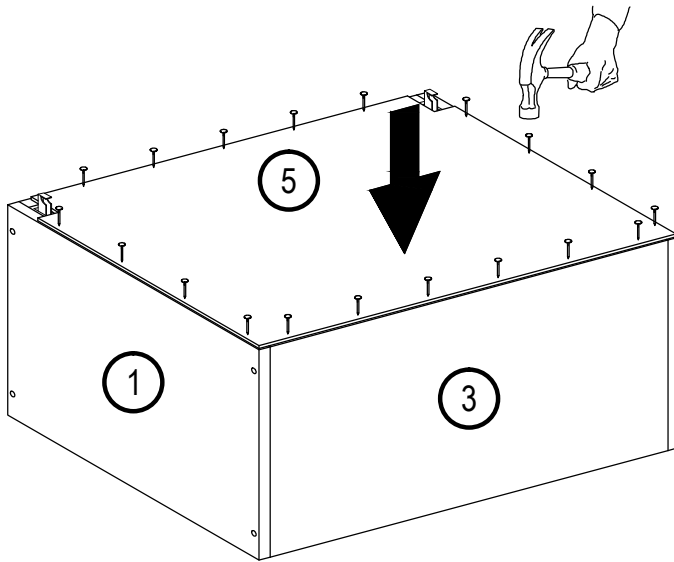
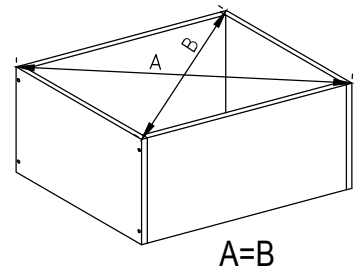
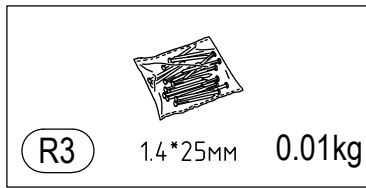
3



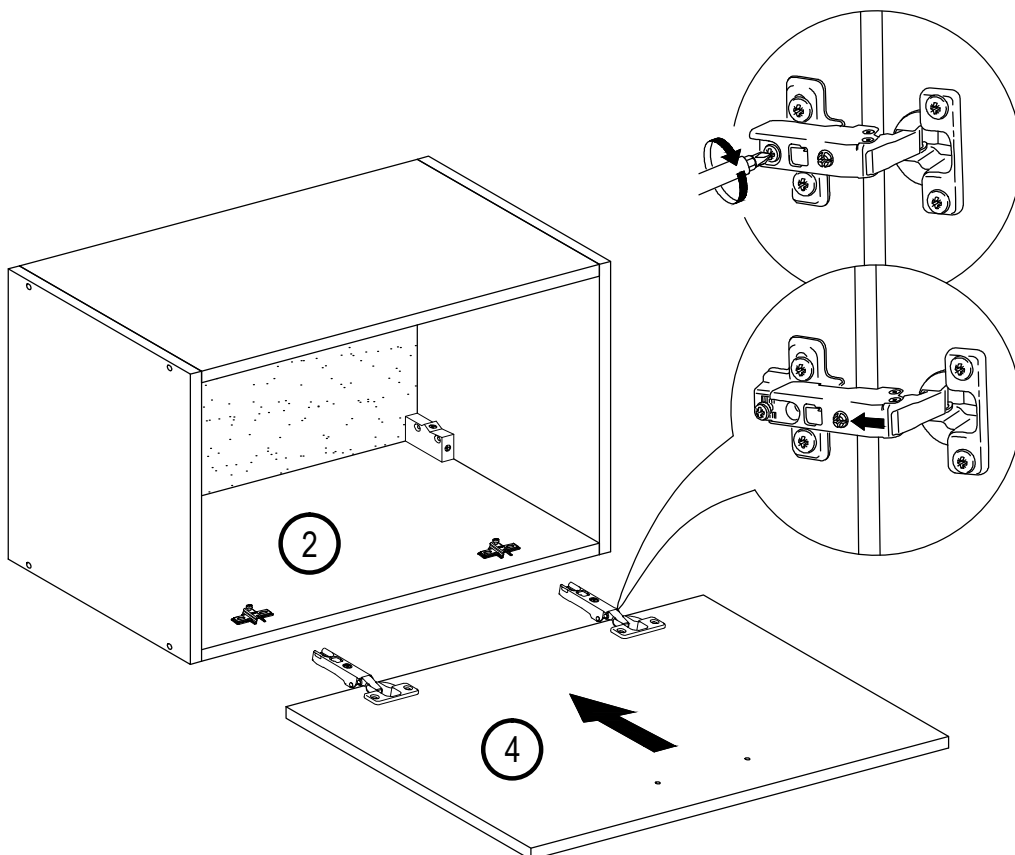
4



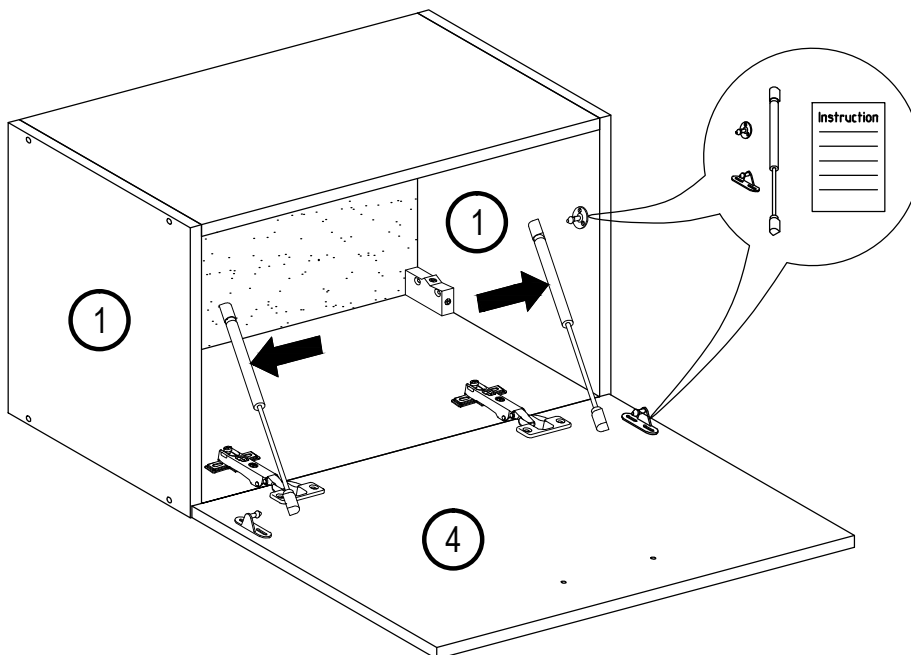
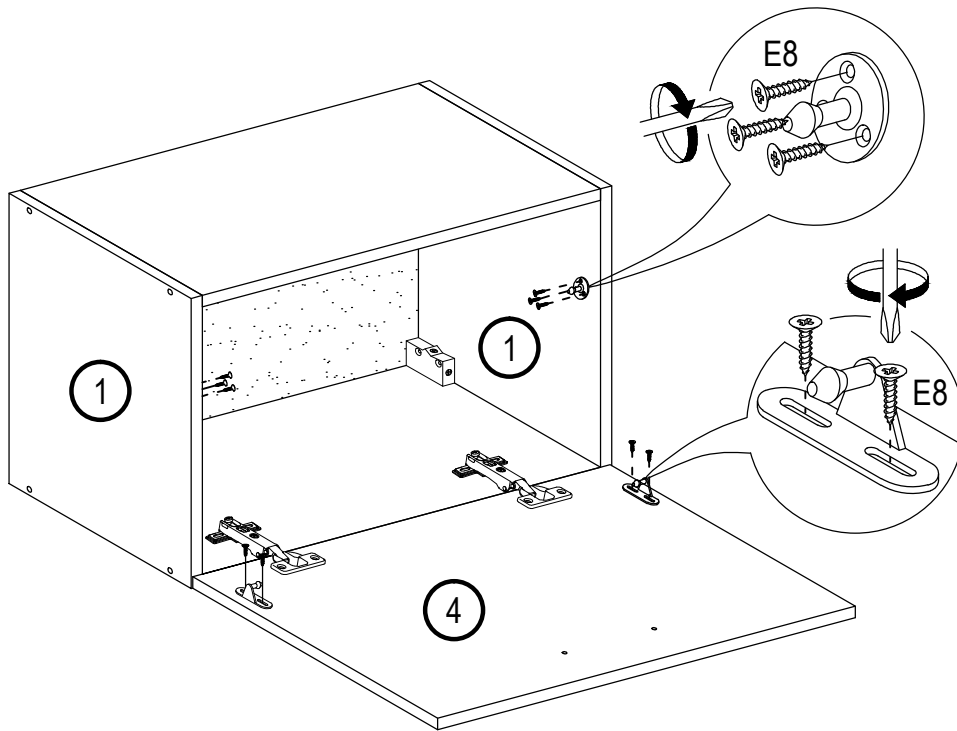
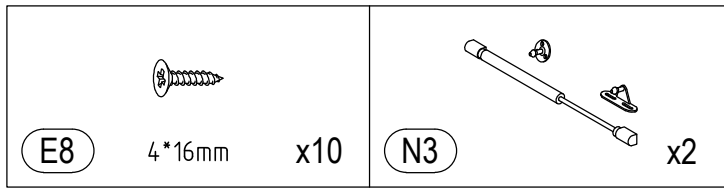
5





6

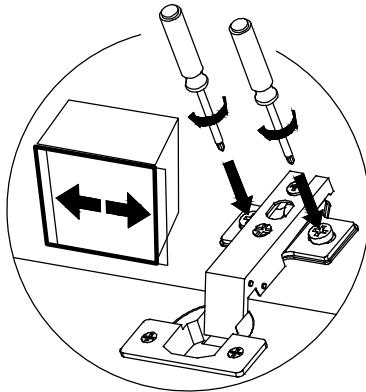
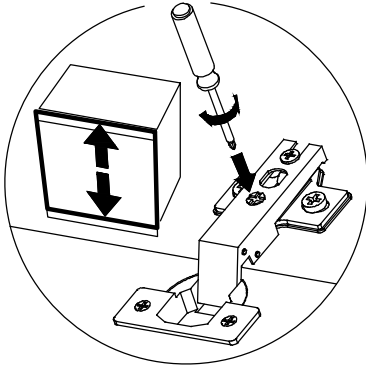
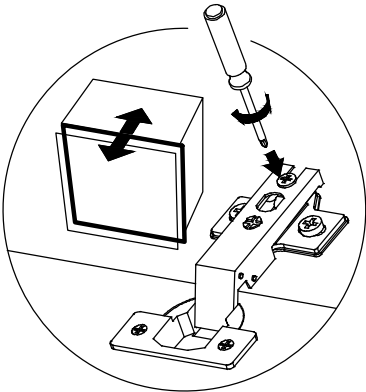
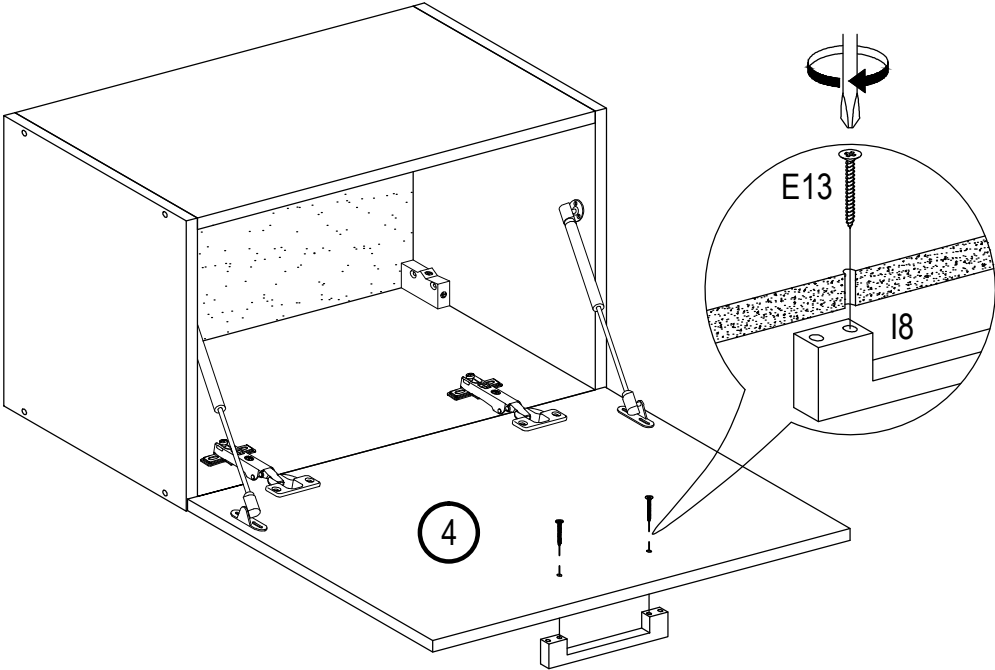


7



8

	
E13 4*40mm x2	I8 x1



9

