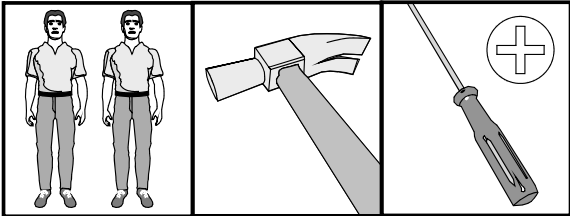
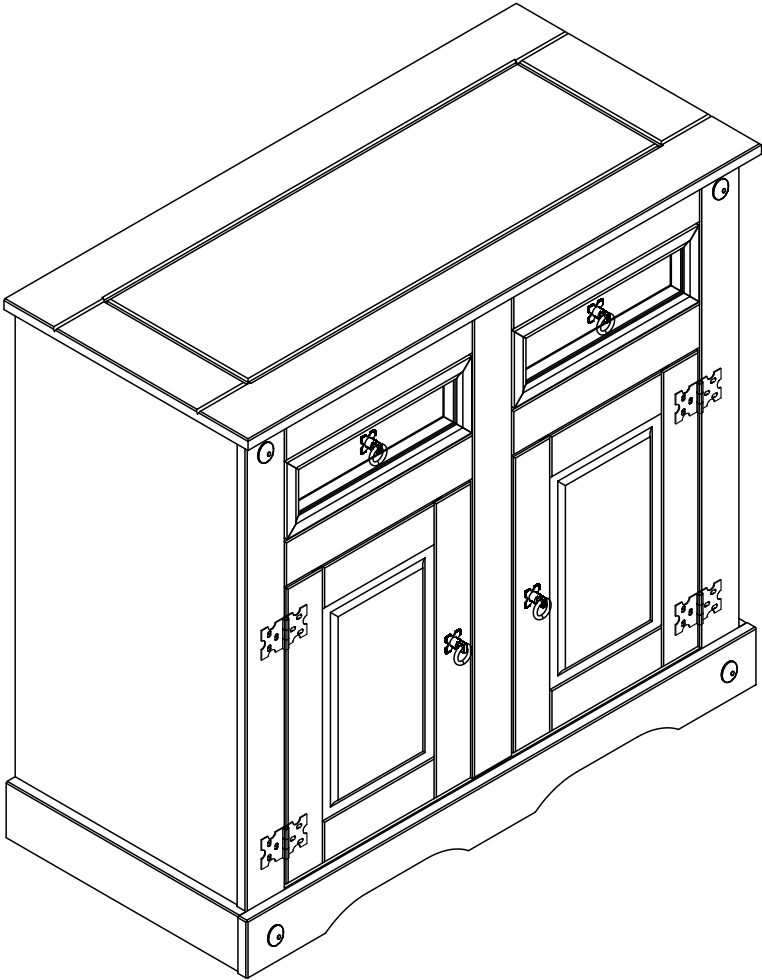
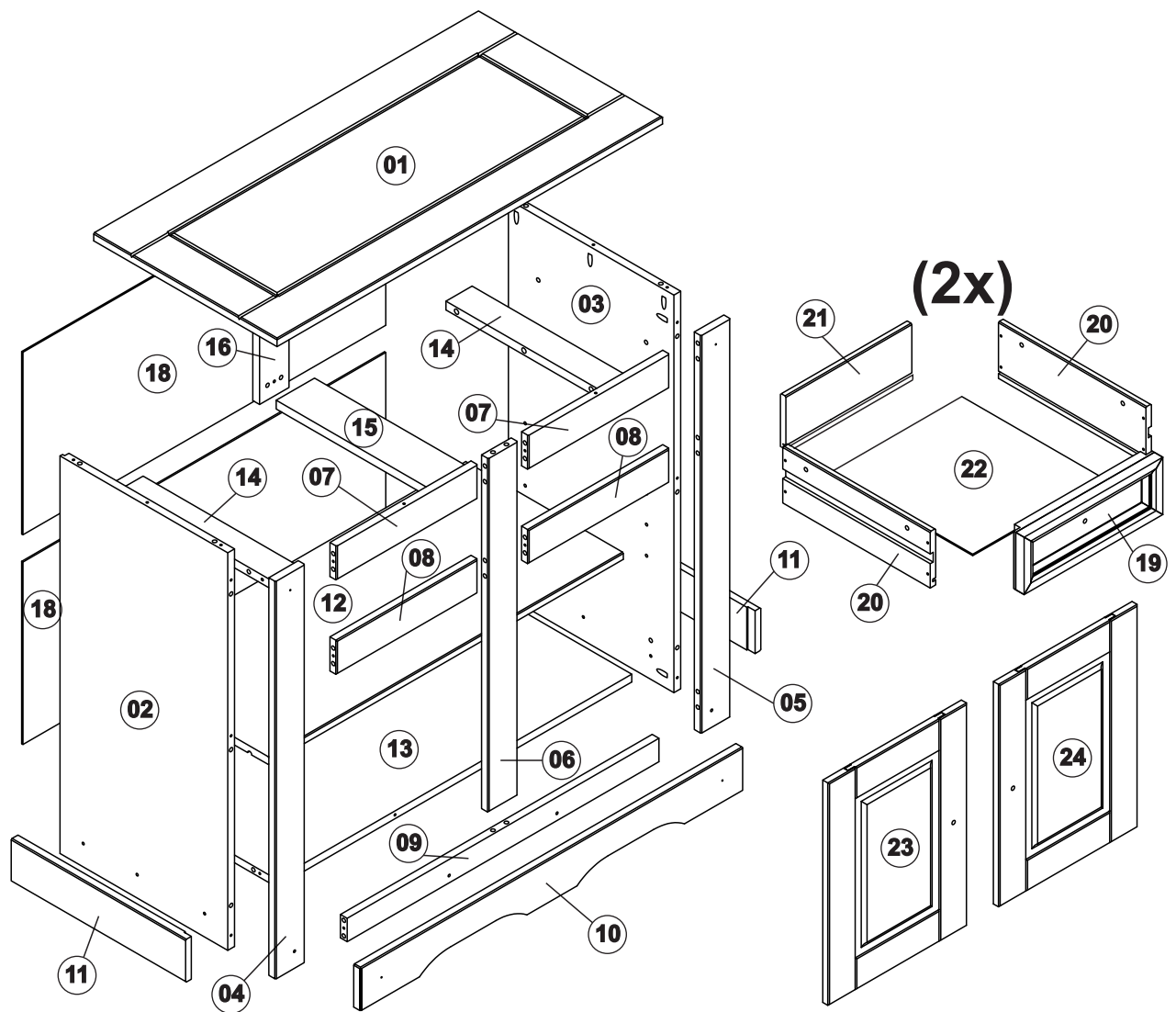


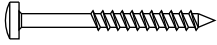


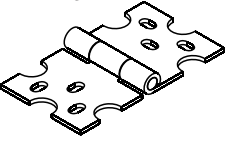




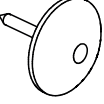


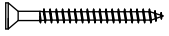


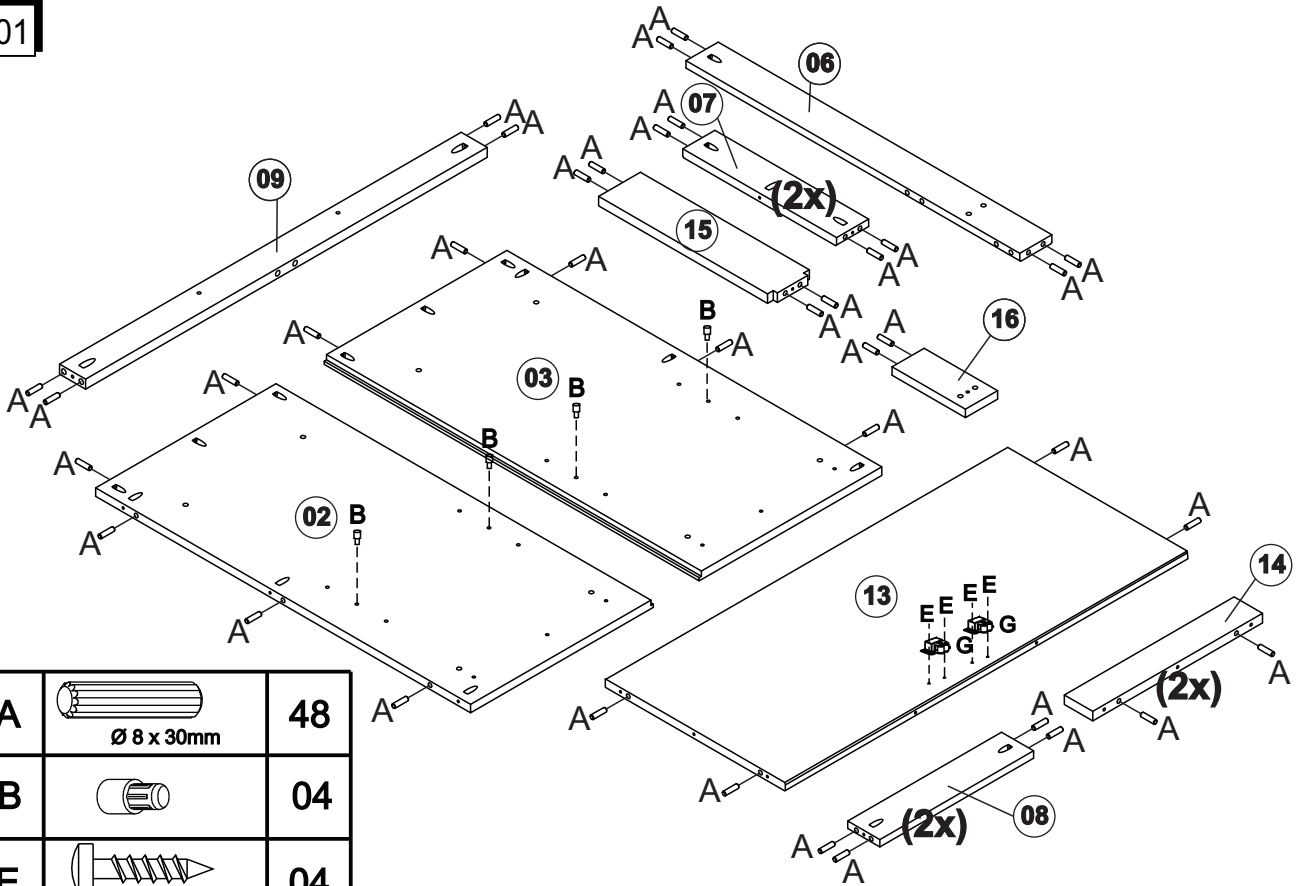
ARIZONA 2



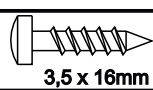





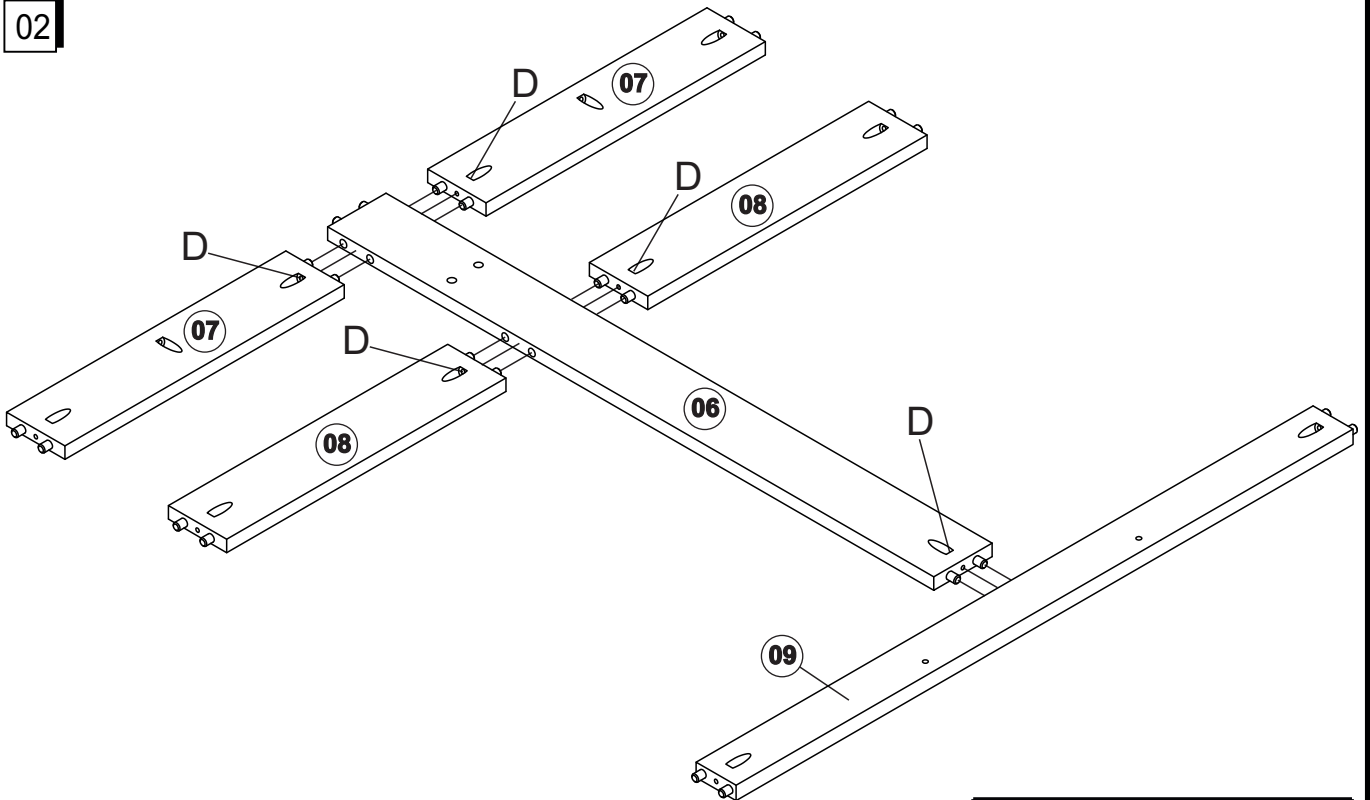
<p>A x 52</p>  <p>8,0 x 30mm</p>	<p>B x 04</p> 	<p>C x 06</p>  <p>4,5 x 50mm</p>	<p>D x 45</p>  <p>3,5 x 30mm</p>	
<p>E x 32</p>  <p>3,5 x 16mm</p>	<p>F x 04</p> 	<p>G x 02</p> 	<p>H x 04</p>  <p>Ø 3/16 x 5/8mm</p>	
<p>I x 52</p> 	<p>J x 04</p> 	<p>K x 04</p> 	<p>L x 16</p>  <p>3,0 x 30mm</p>	<p>M x 01</p> 
<p>N x 01</p>  <p>4,0 x 40mm</p>				


01



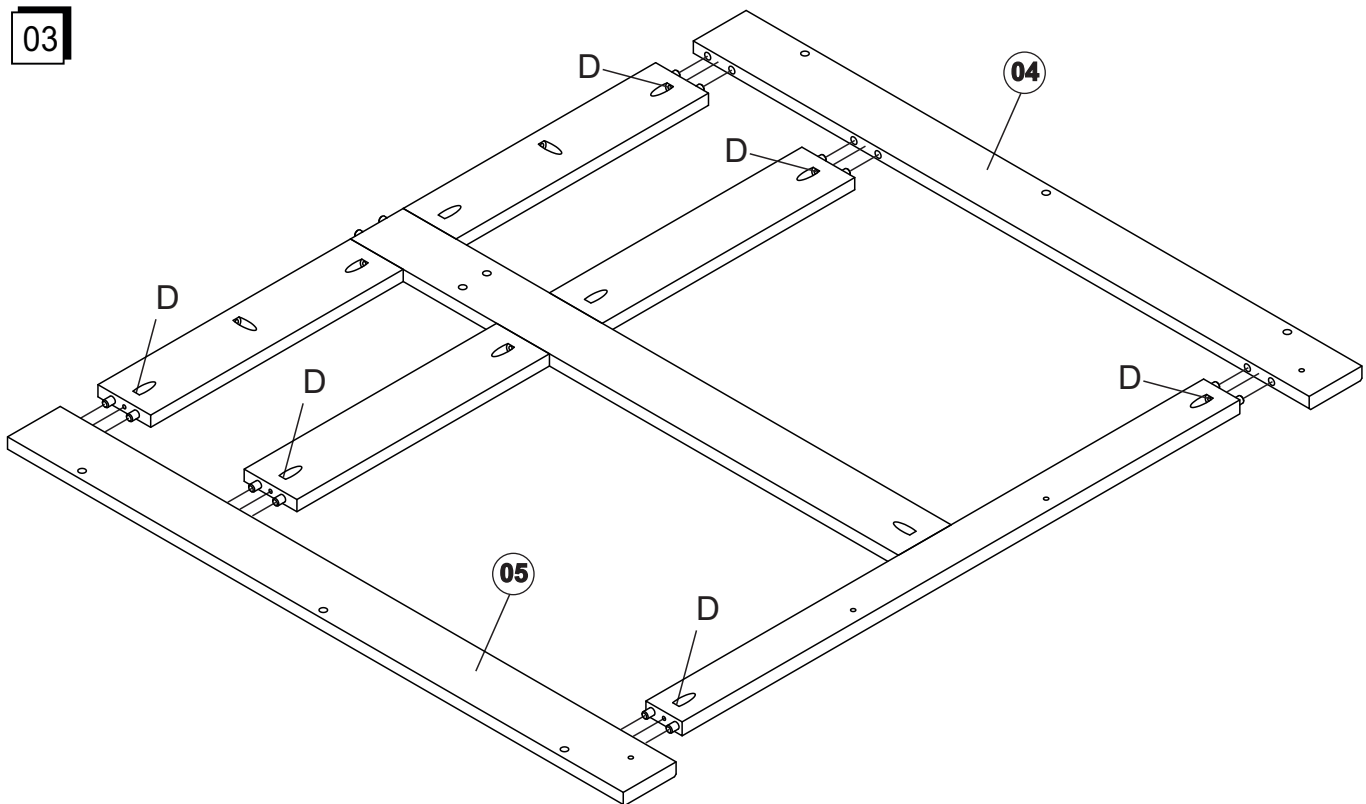
A		48
B		04
E		04
G		02

02



D		05
---	---	----

03



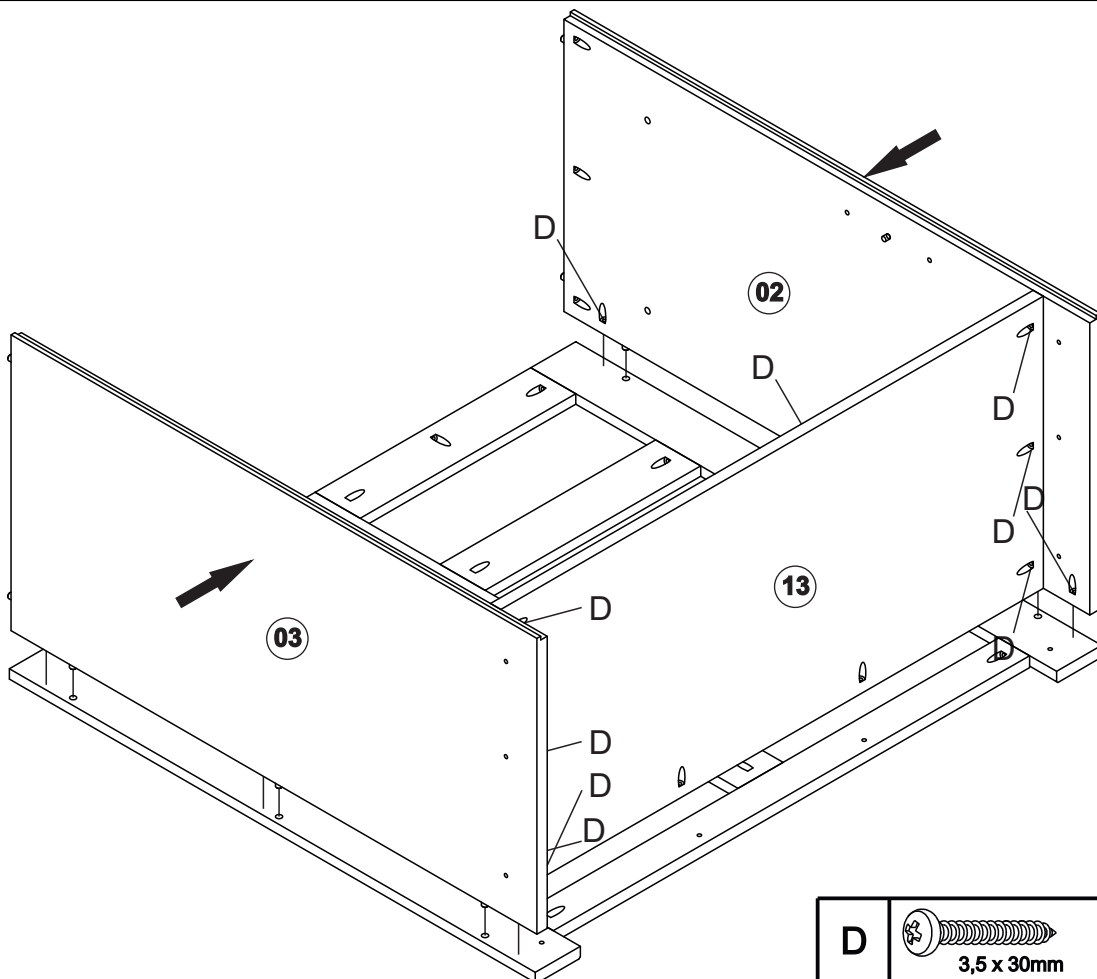
D



3,5 x 30mm

06

04



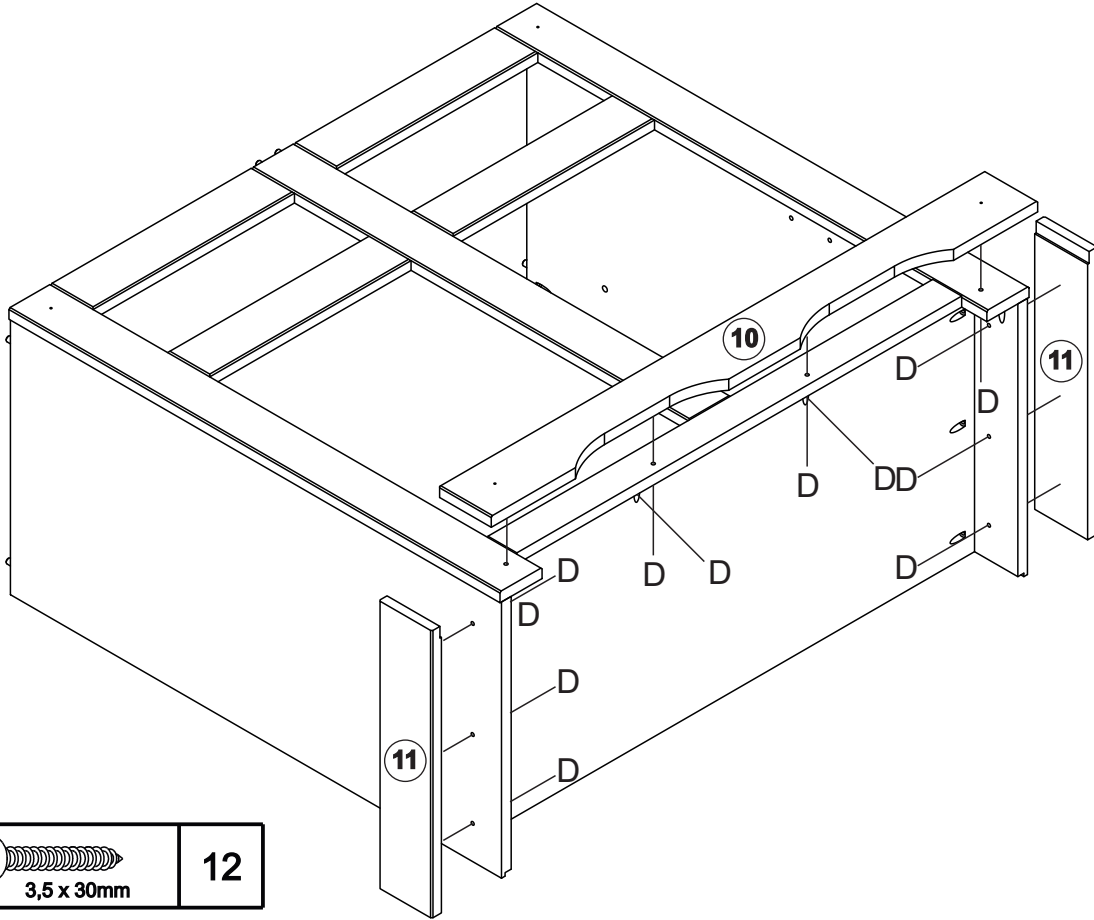
D



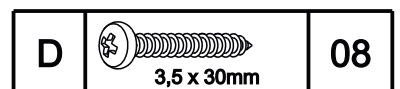
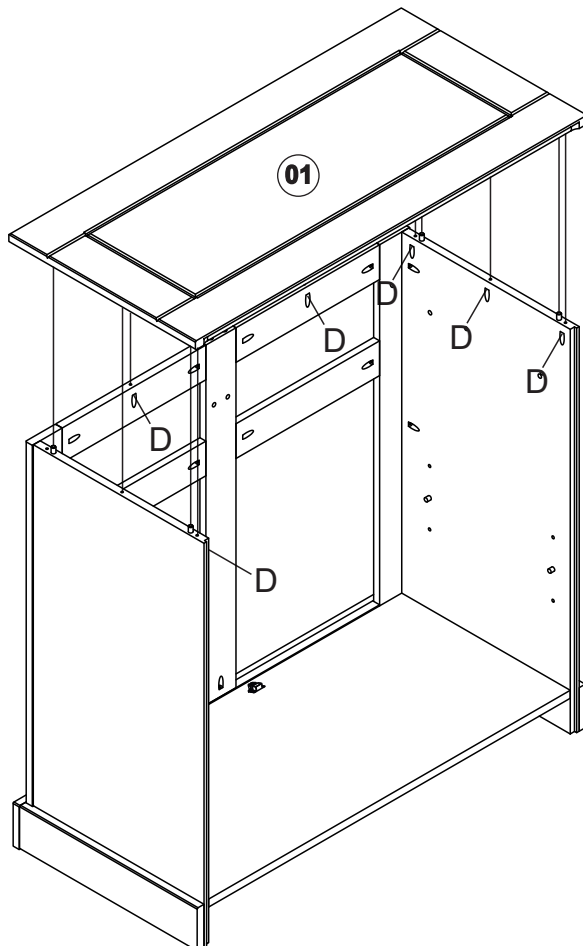
3,5 x 30mm

12

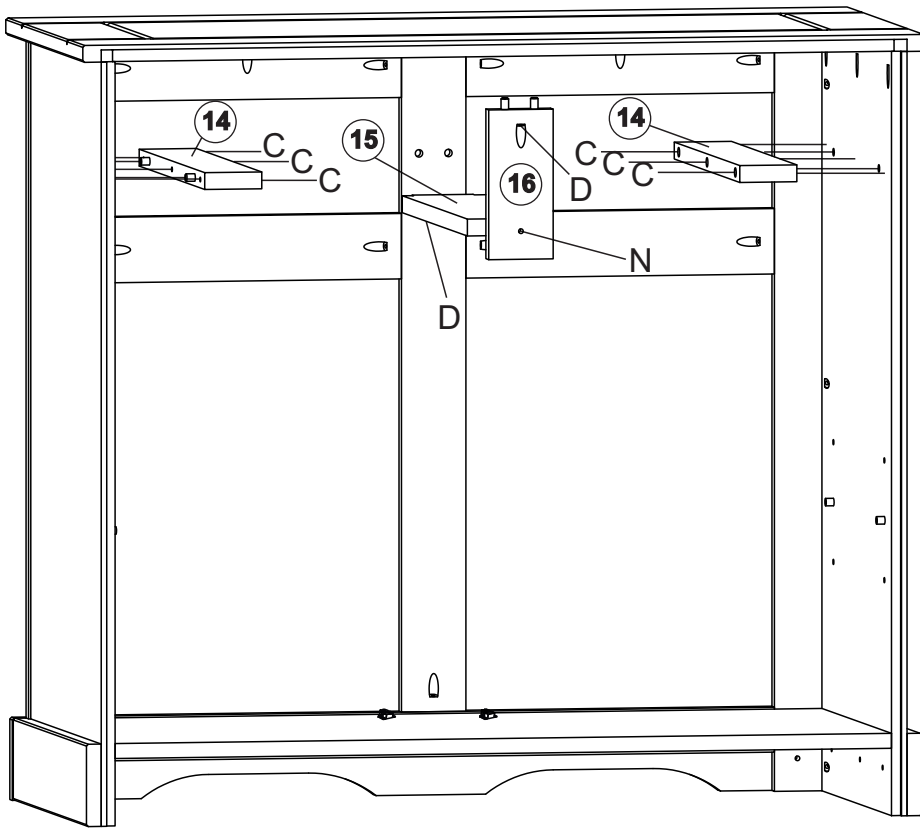
05

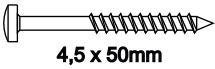




06

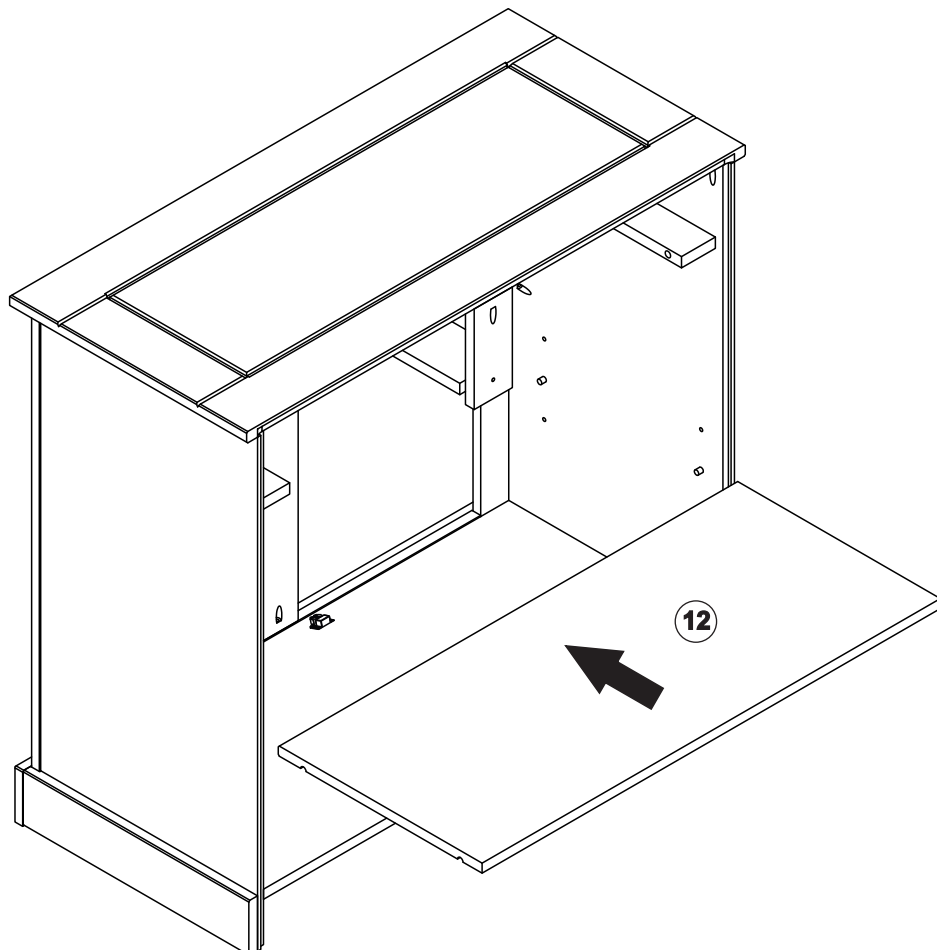


07

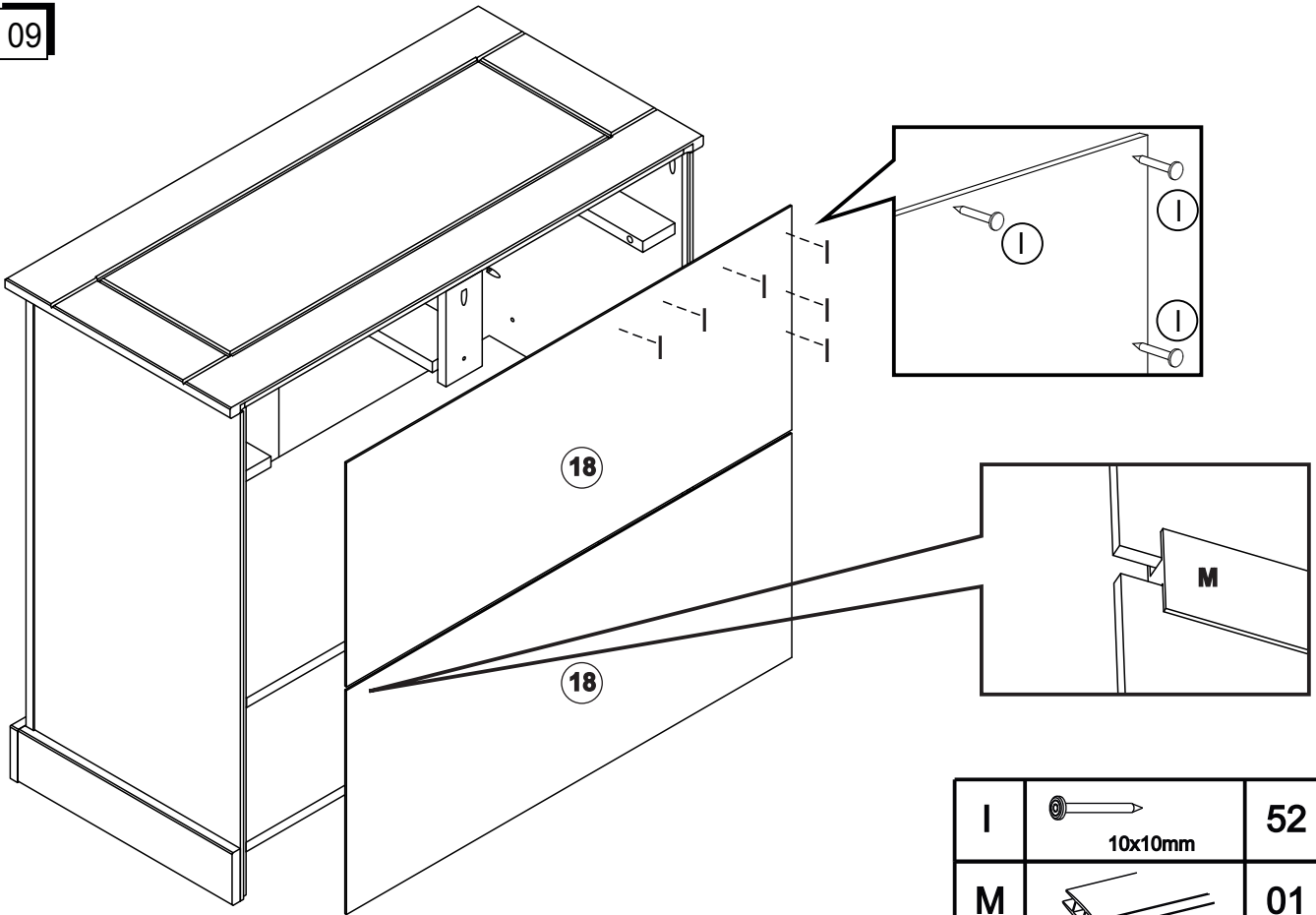



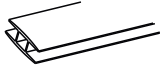
C		06
D		02
N		01

08



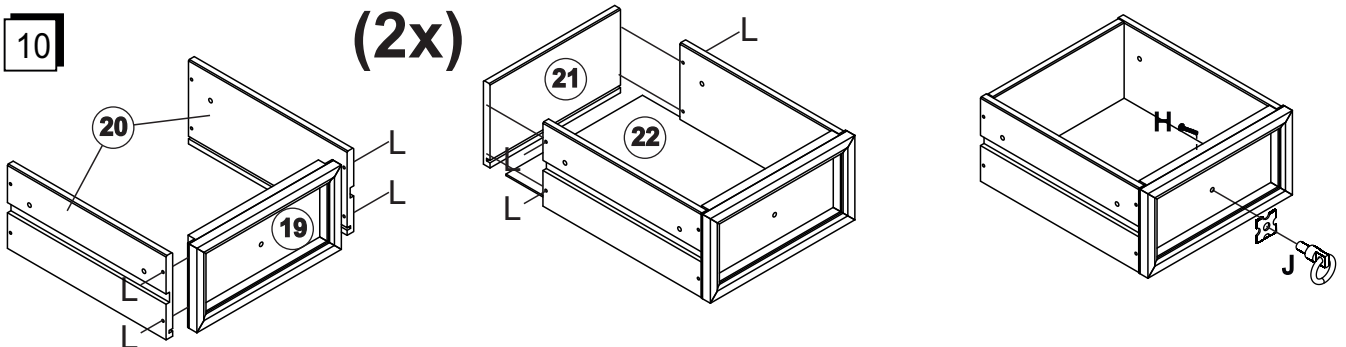
09





I		52
	10x10mm	
M		01

10

(2x)



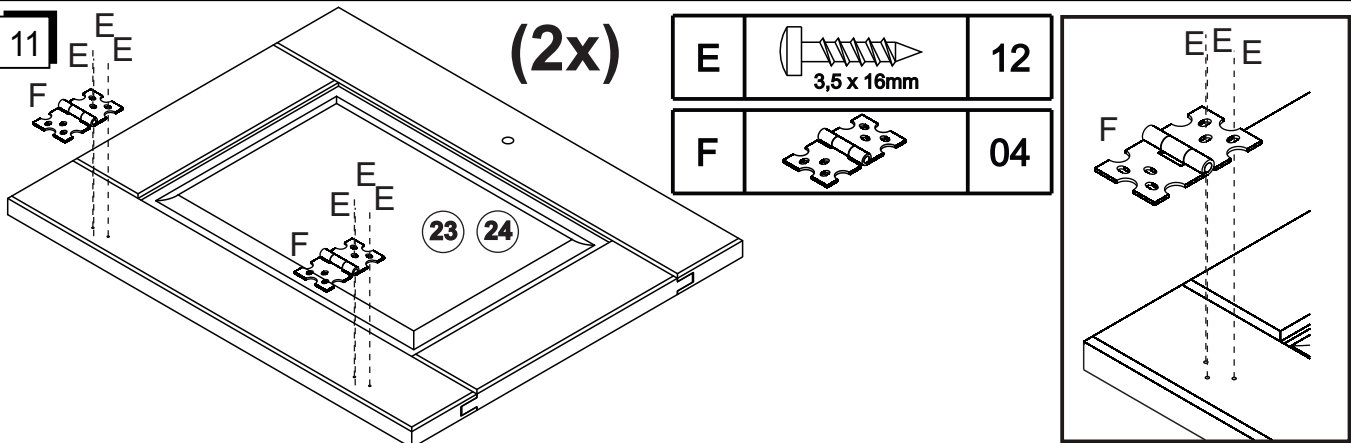
L		16
	3,0 x 30mm	


J		02
---	---	----

H		02
	Ø 3/16 x 5/8mm	

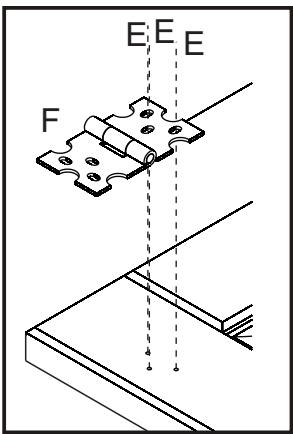
11

(2x)

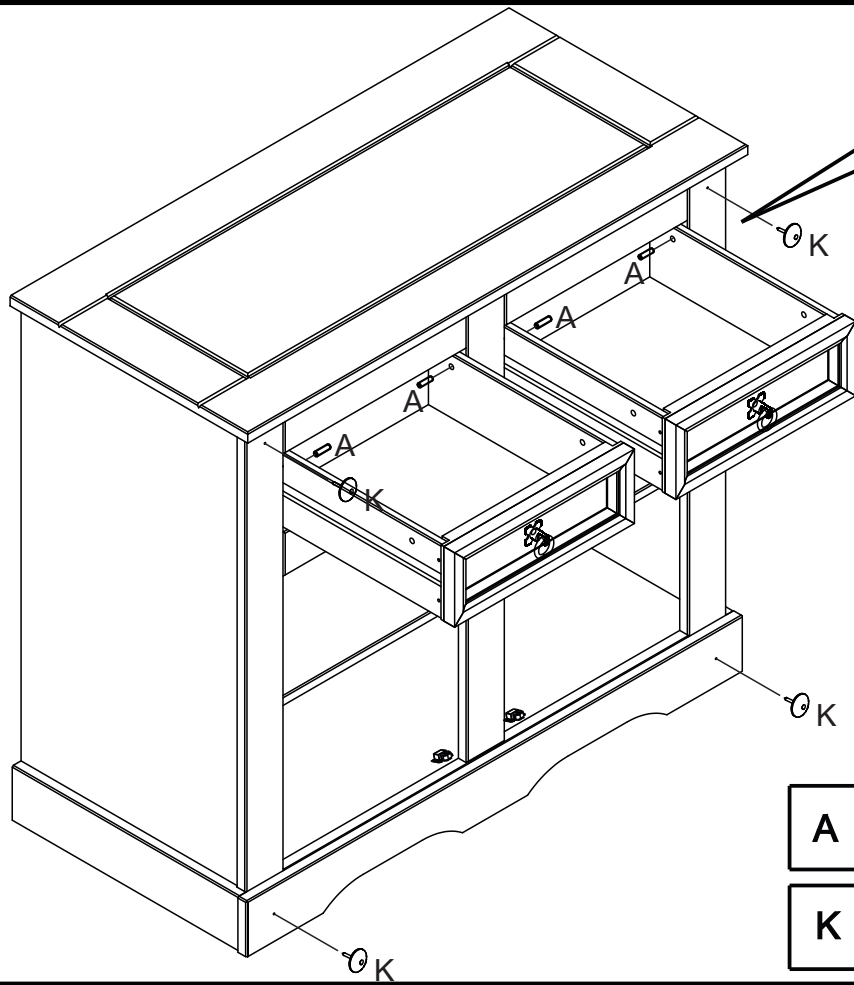




E		12
	3,5 x 16mm	

F		04
---	--	----

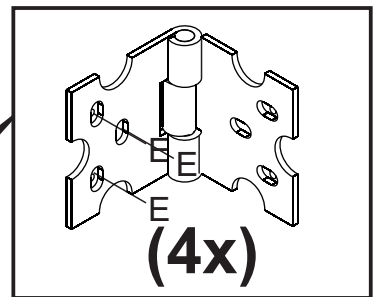
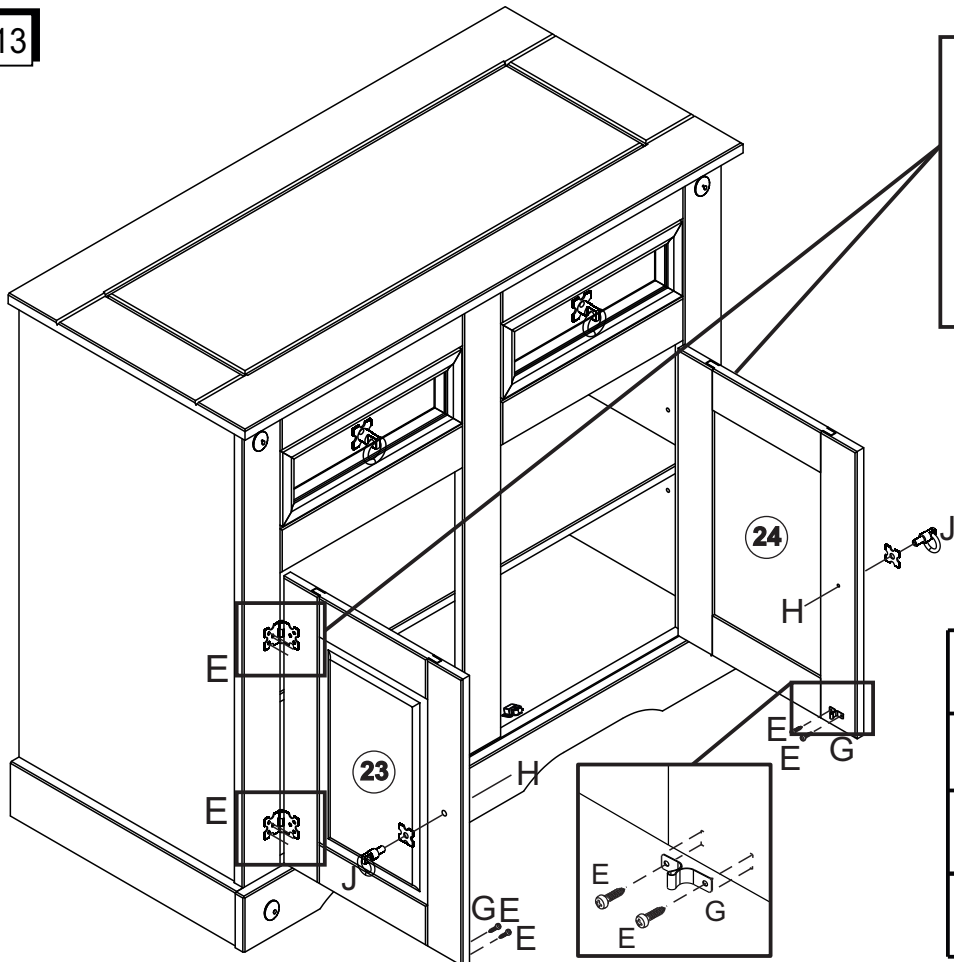



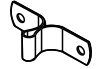


12



A	 Ø 8 x 30mm	04
K		04

13



E	 3,5 x 16mm	16
G		02
H	 Ø 3/16 x 5/8mm	02
J		02