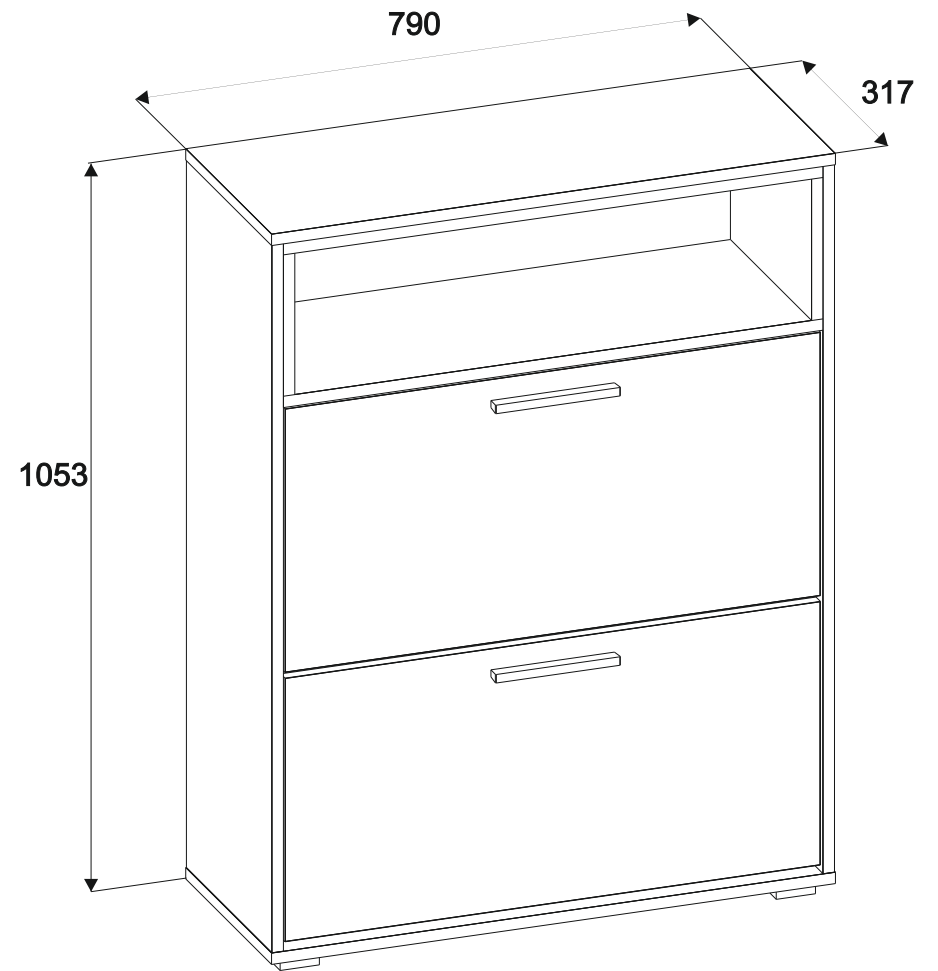
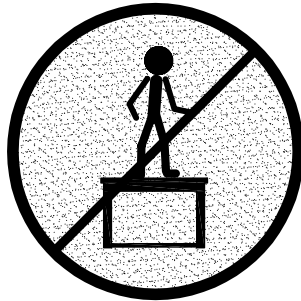
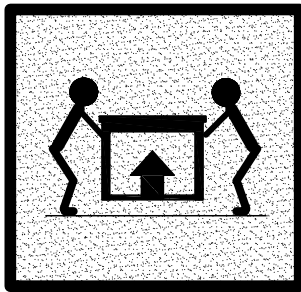
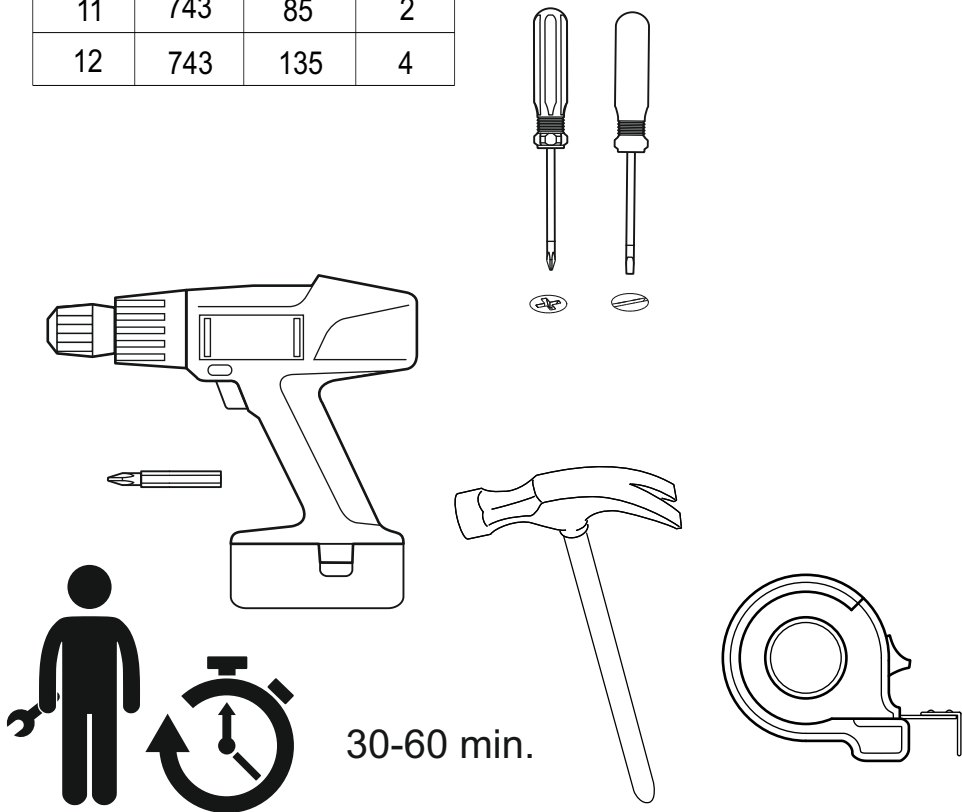


Light:

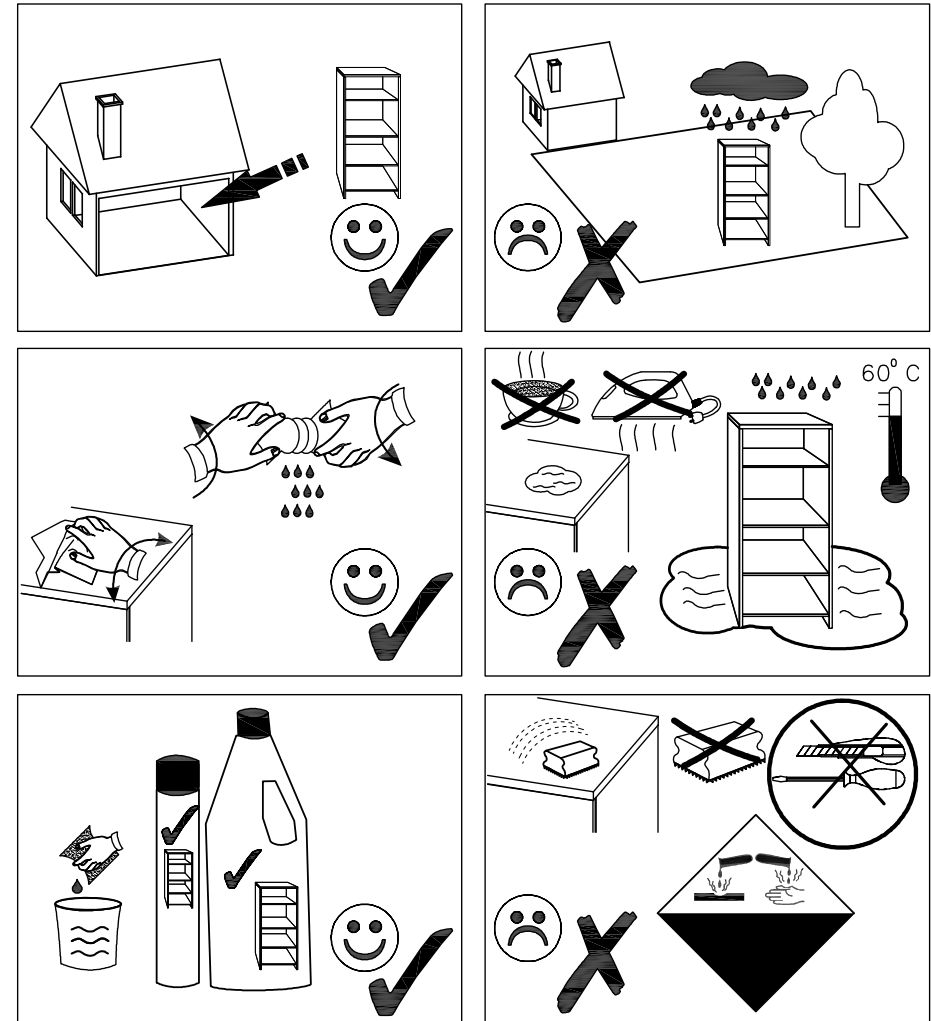
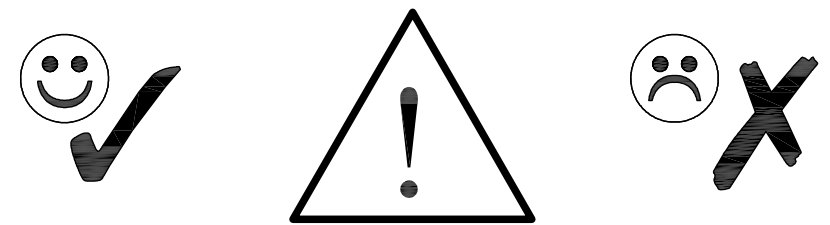
Shoe Unit 08.136



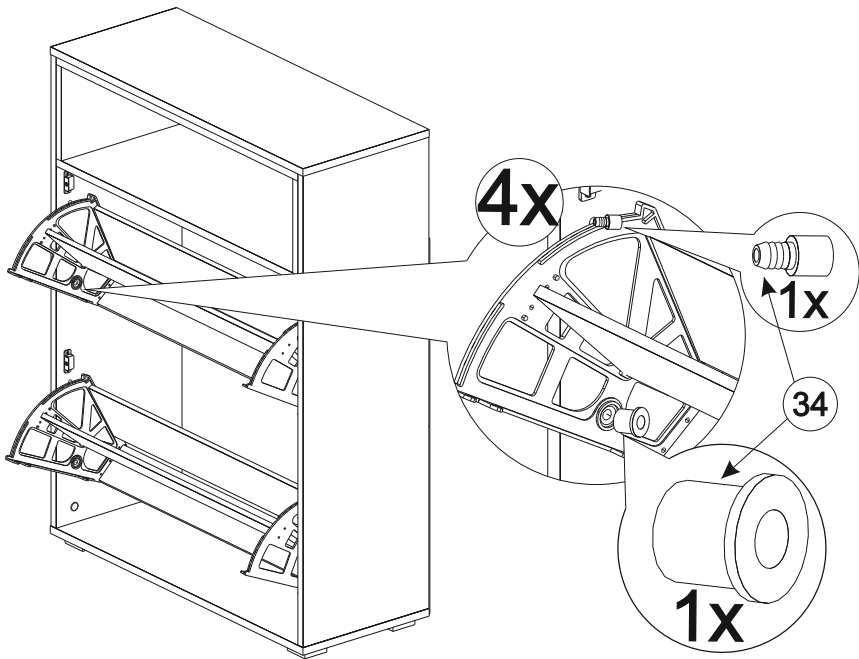
No	a	b	x
1	790	317	1
2	790	317	1
3	1001	316	1
4	1001	316	1
5	752	373	2
6	756	316	1
7	756	316	1
8	200	316	2
9	724	200	1
10	398	784	2
11	743	85	2
12	743	135	4






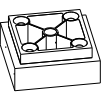

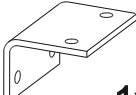





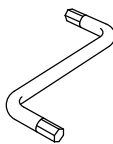
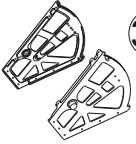



30-60 min.

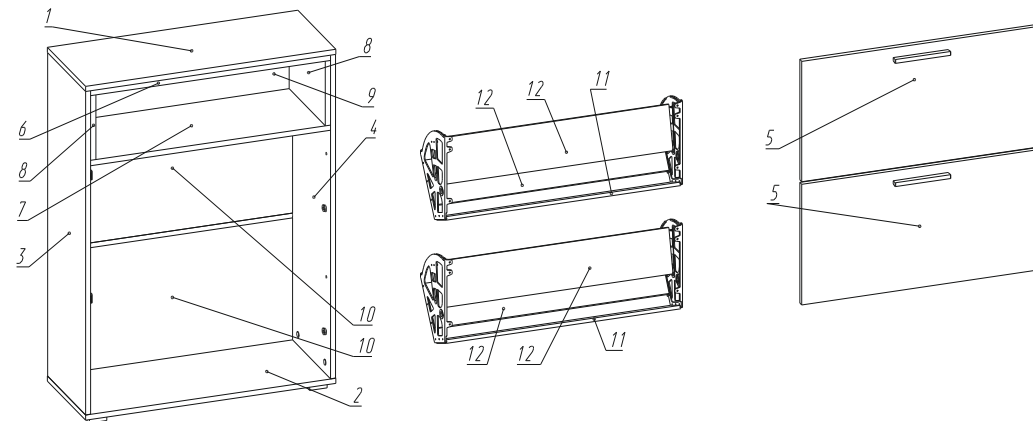
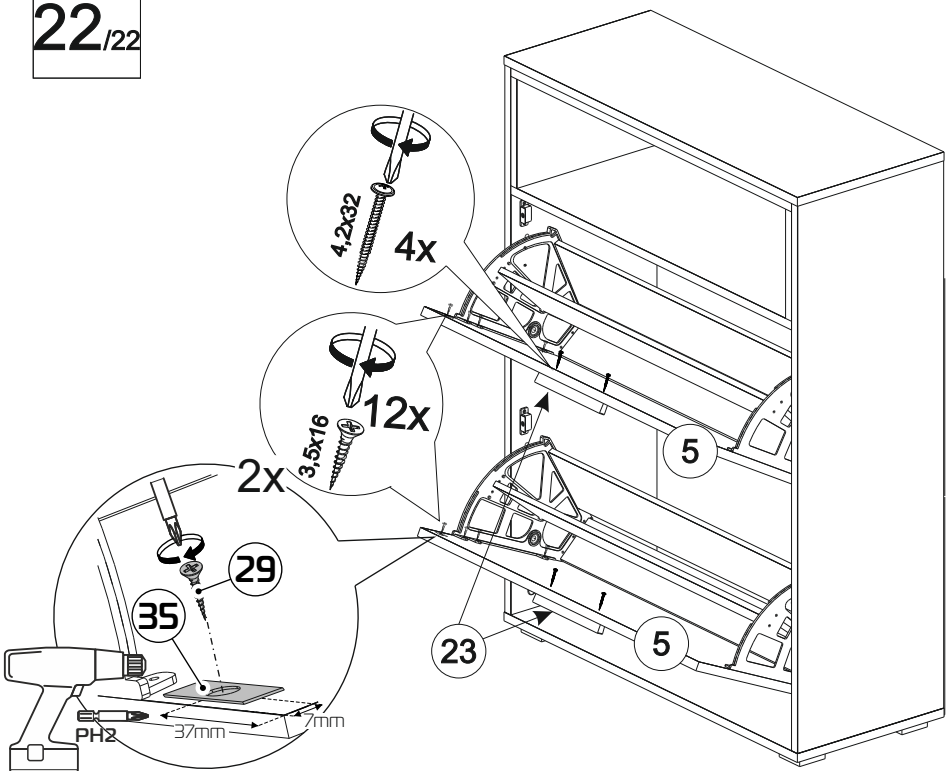


21 / 22

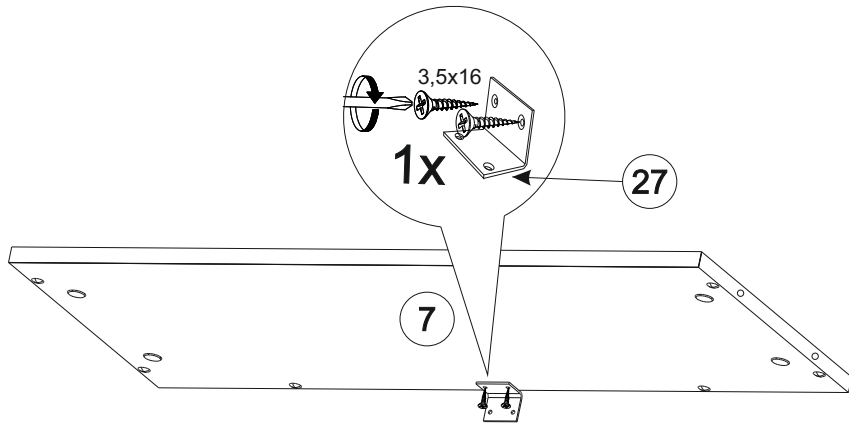


 20 1x	 21 12x	 22 27x	 23 2x	 24 4,2x32 4x
 25 4x	 26 3,5x30 8x	 27 1x	 28 3,5x25 4x	 29 3,5x16 32x
 30 4x	 31 12x	 32 12x	 33 1x	 34 2x
 35 2x				

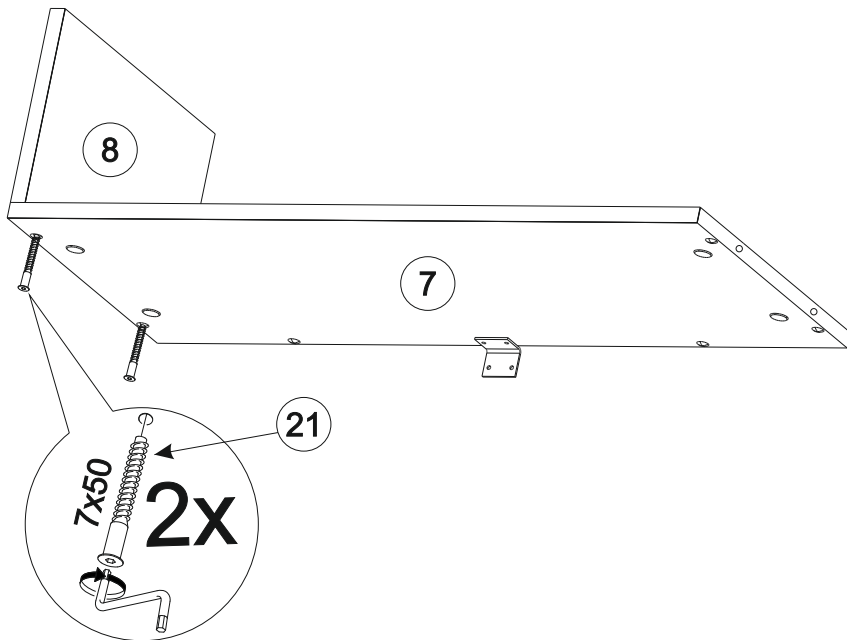
22 / 22



1/22

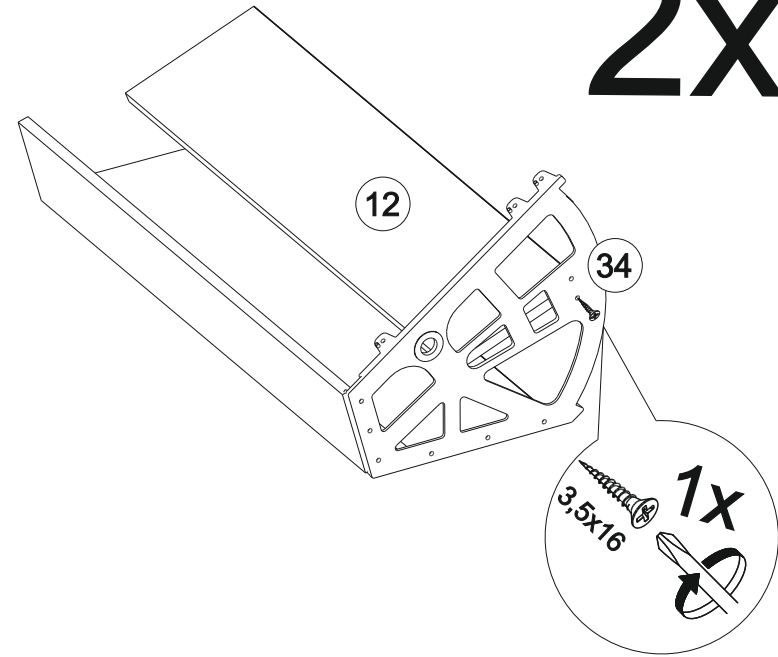


2/22

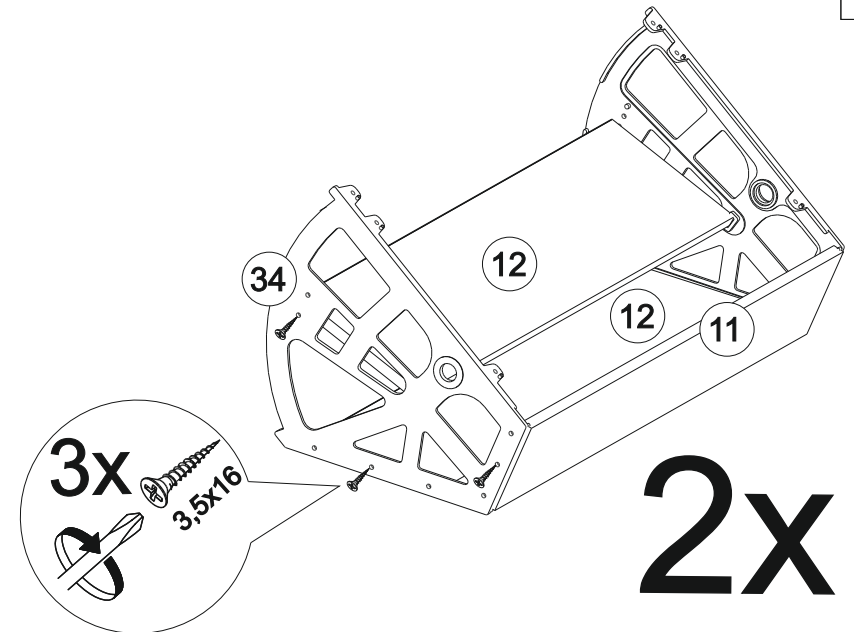


2x

19/22

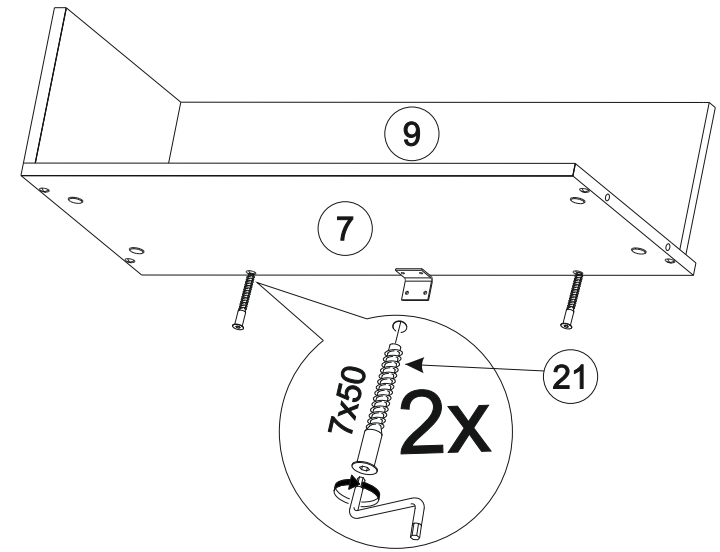
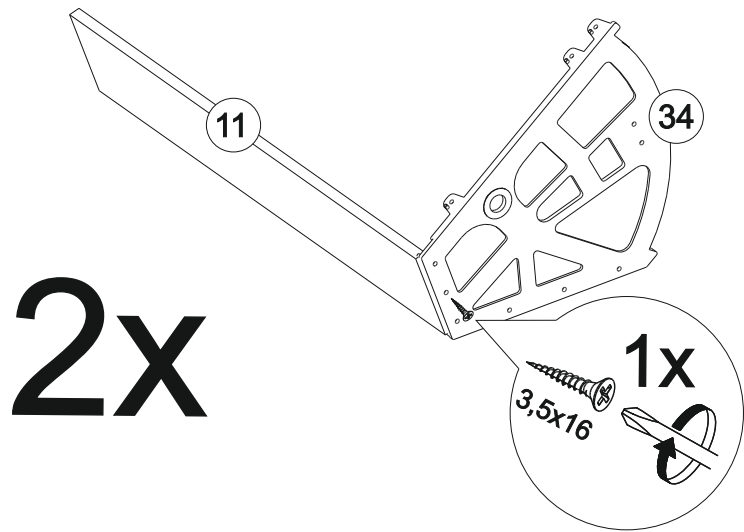


20/22



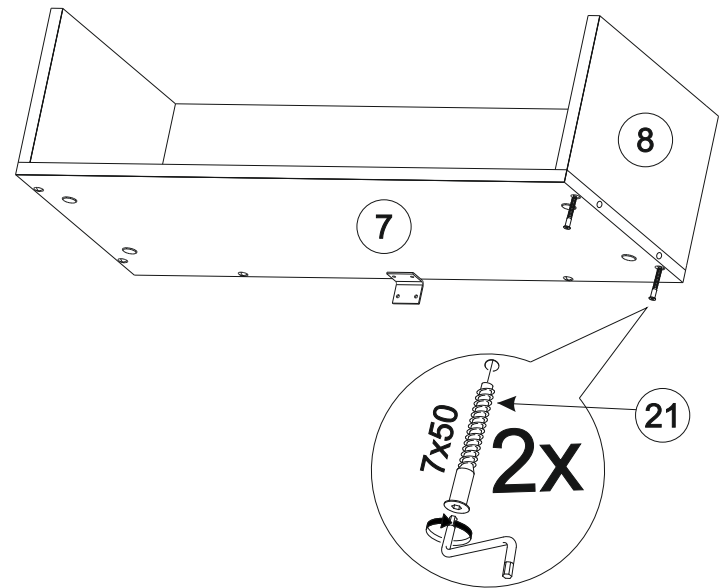
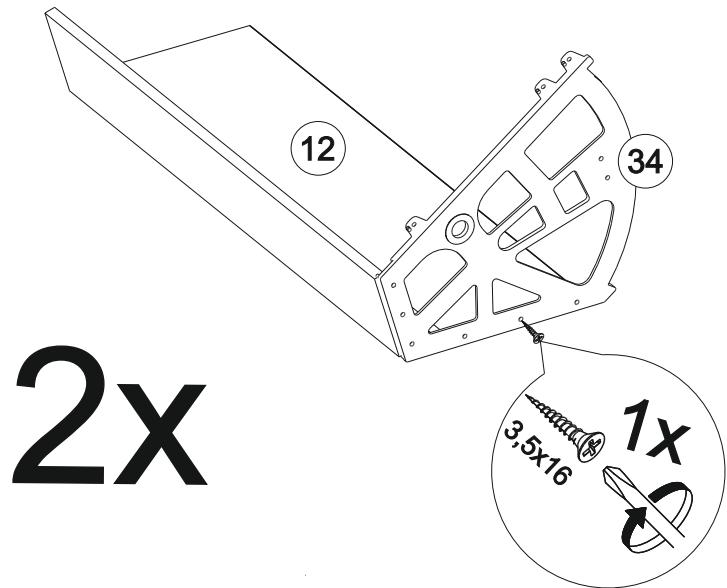
17/22

3/22

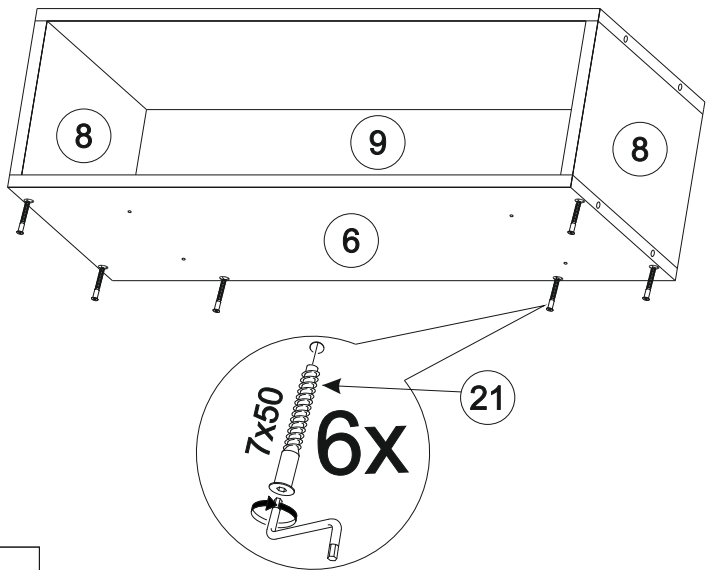


18/22

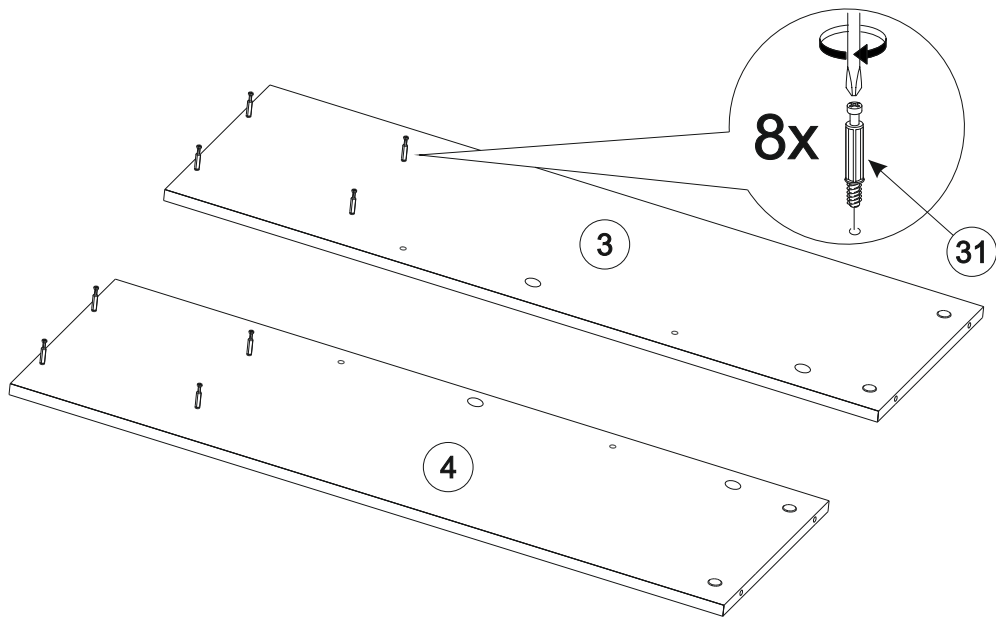
4/22



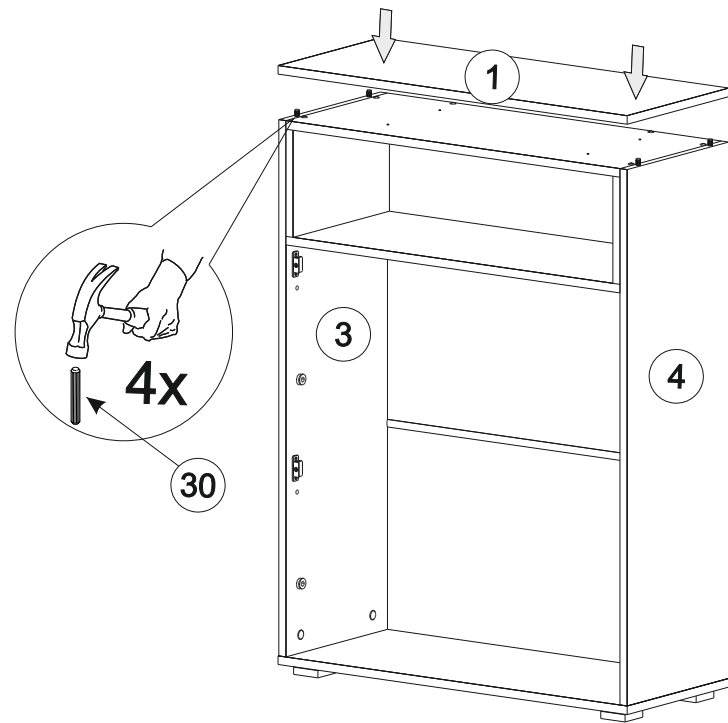
5/22



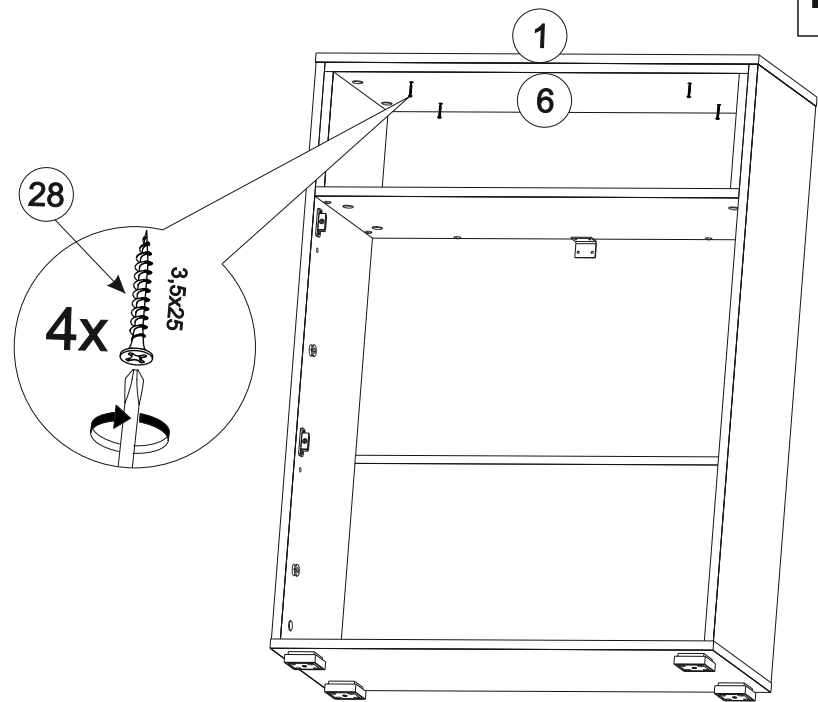
6/22



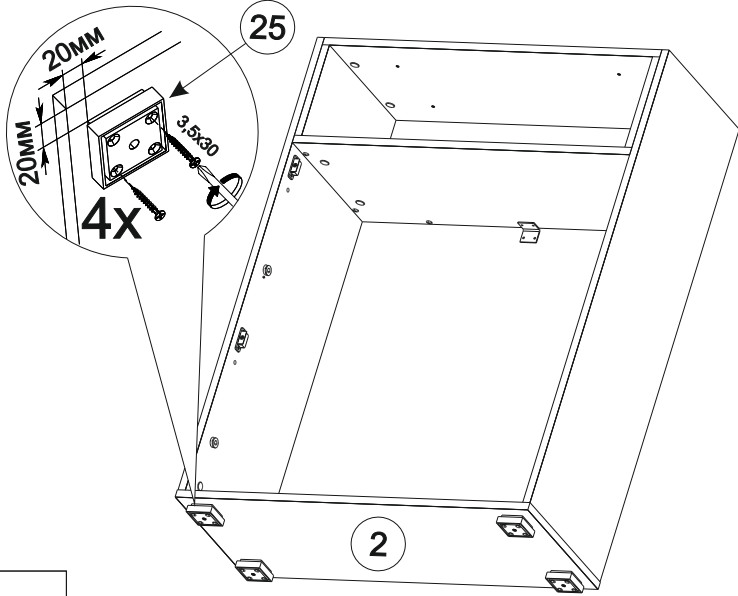
15/22



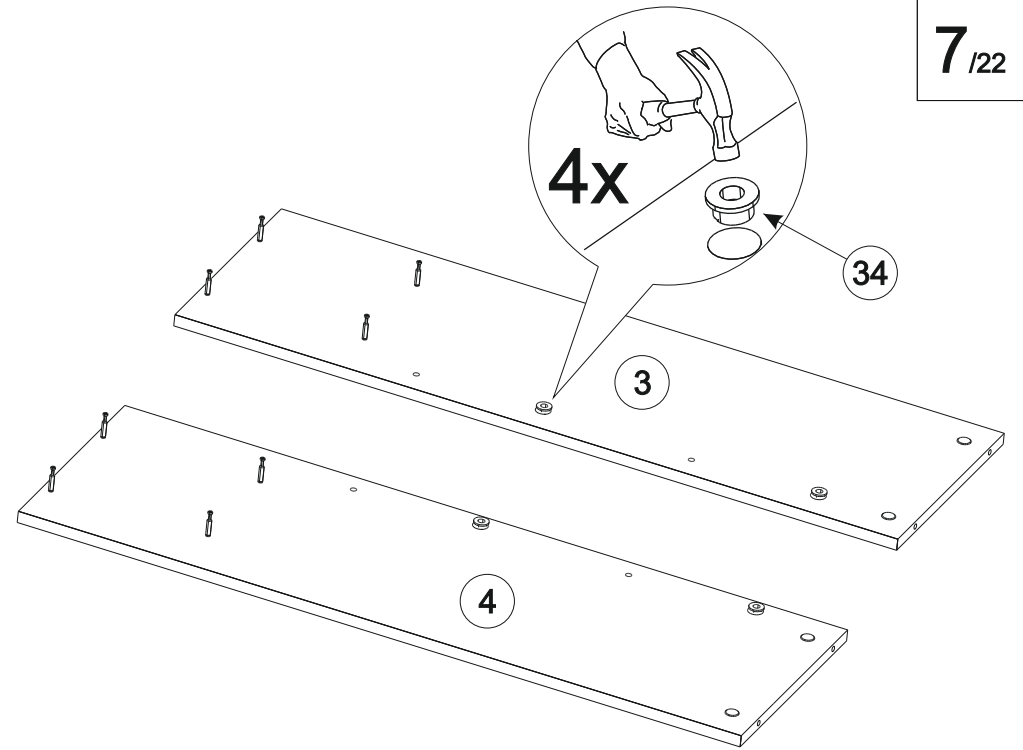
16/22



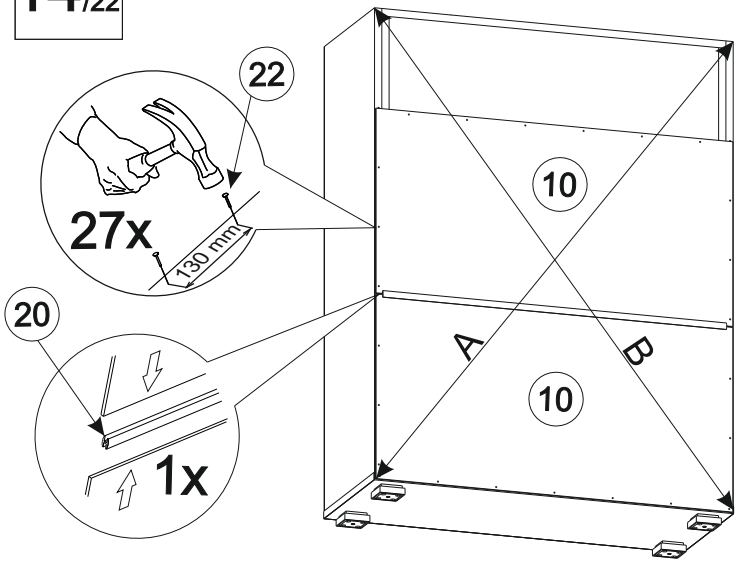
13/22



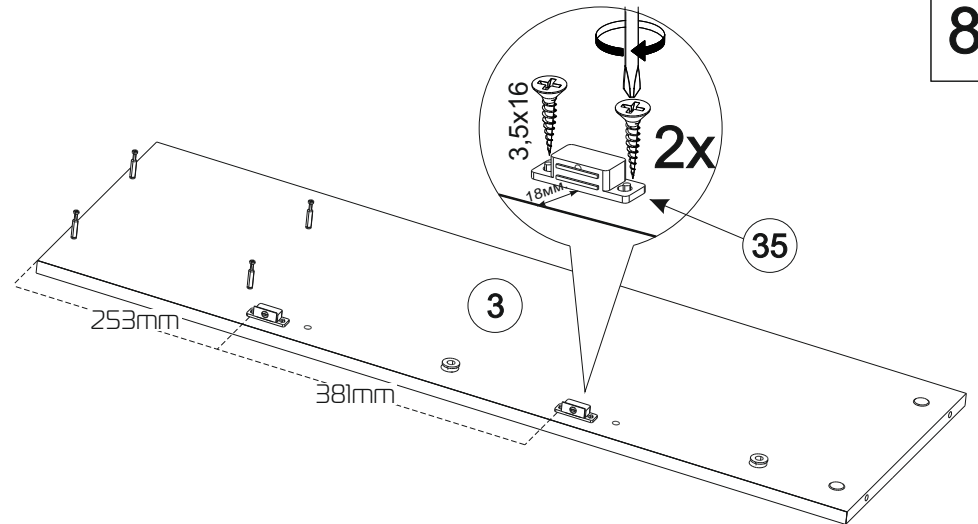
7/22



14/22

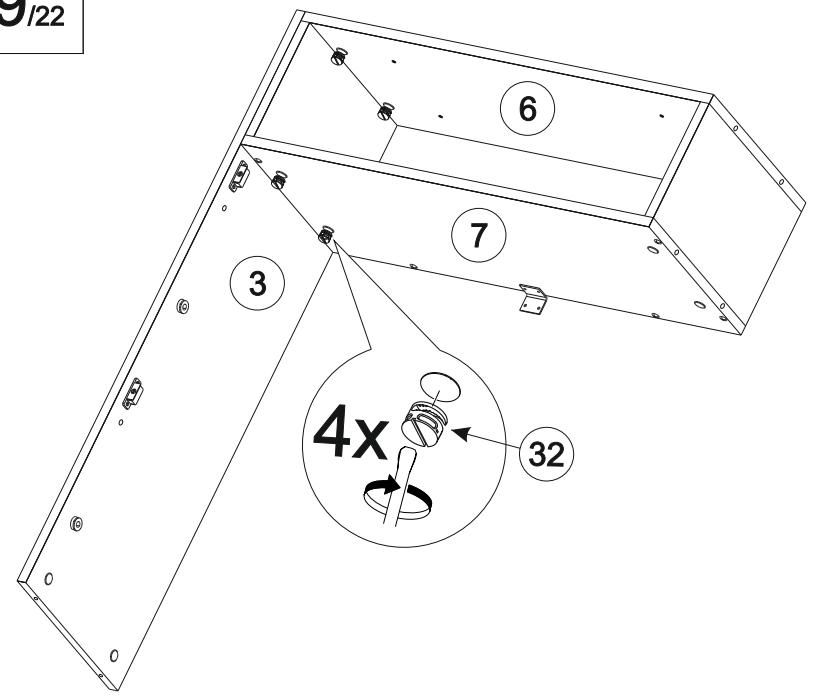


8/22

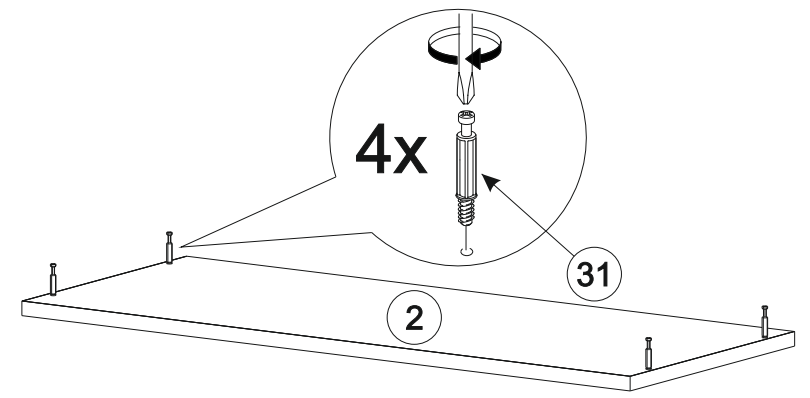


 **A=B**

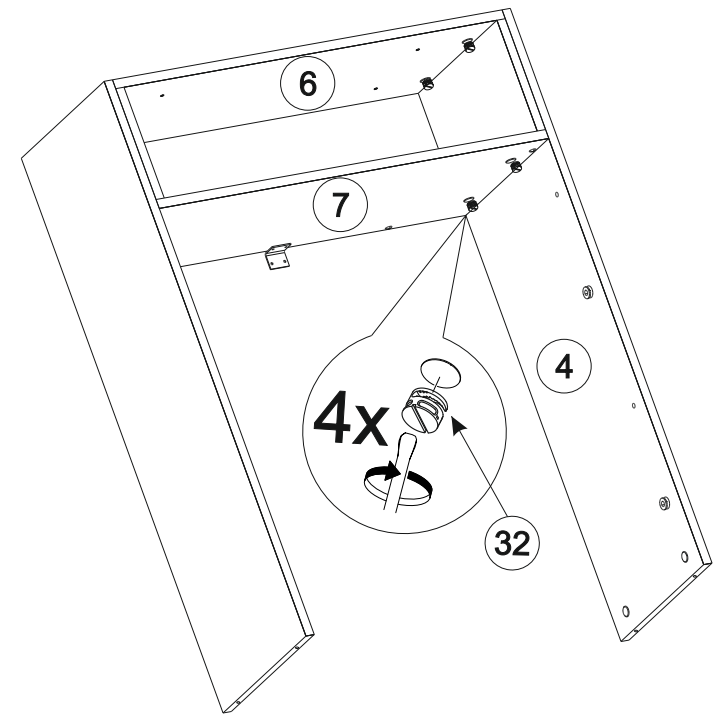
9/22



11/22



10/22



12/22

