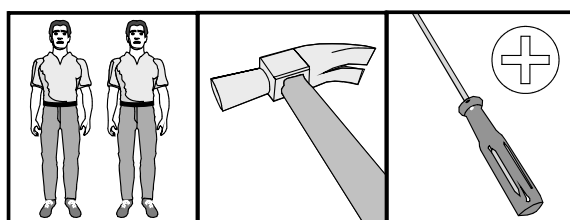
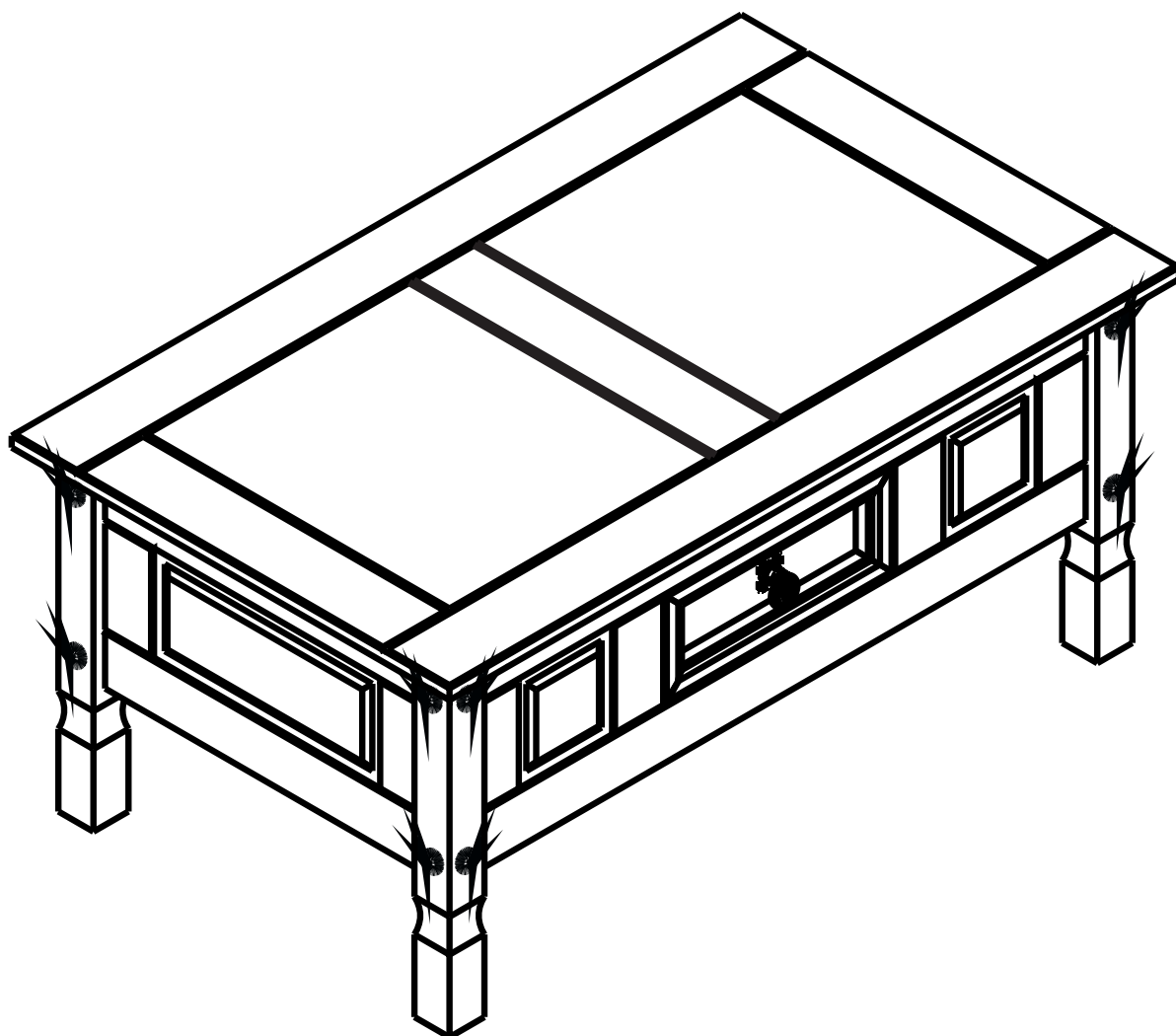
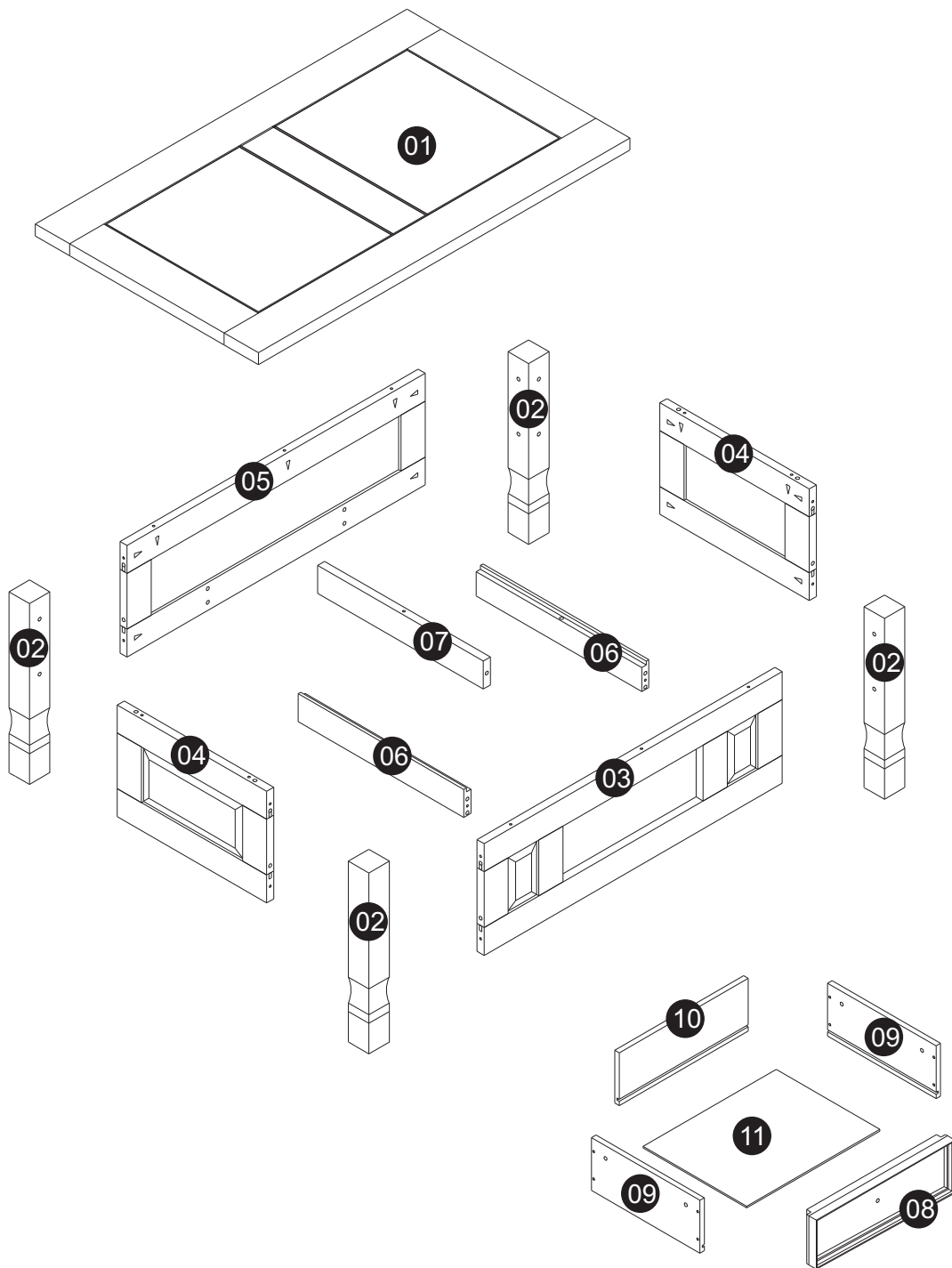





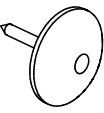



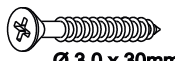
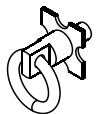

Klubska miza MEXIKO/ Coffee table MEXIKO

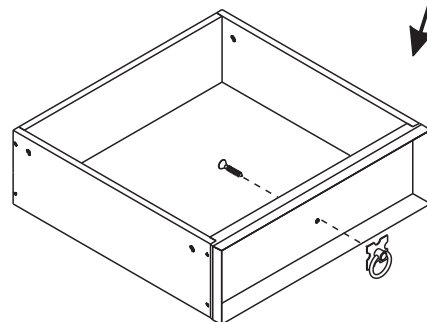
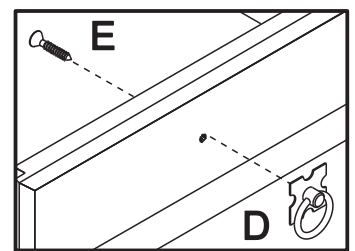
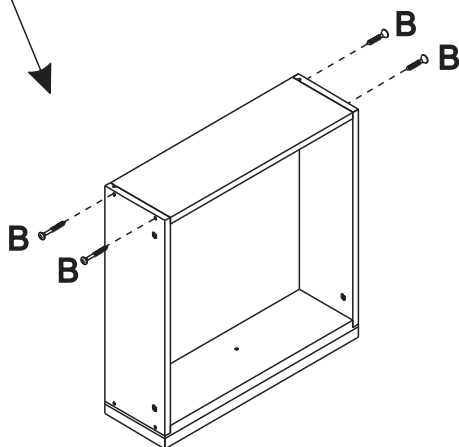
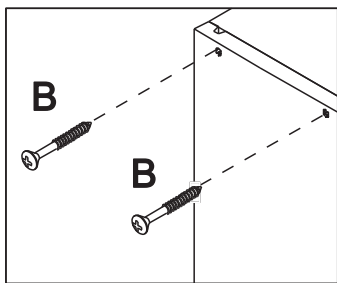
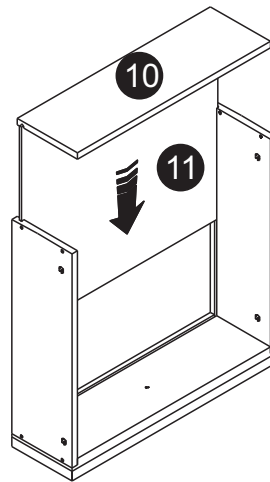
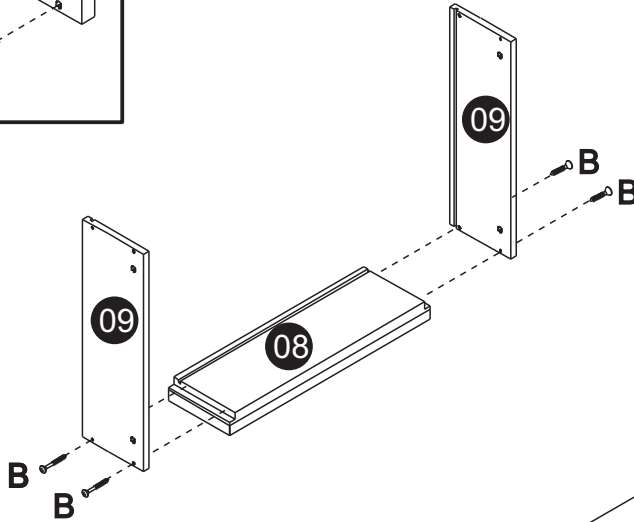
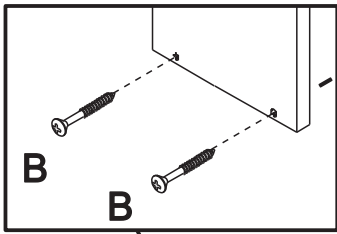




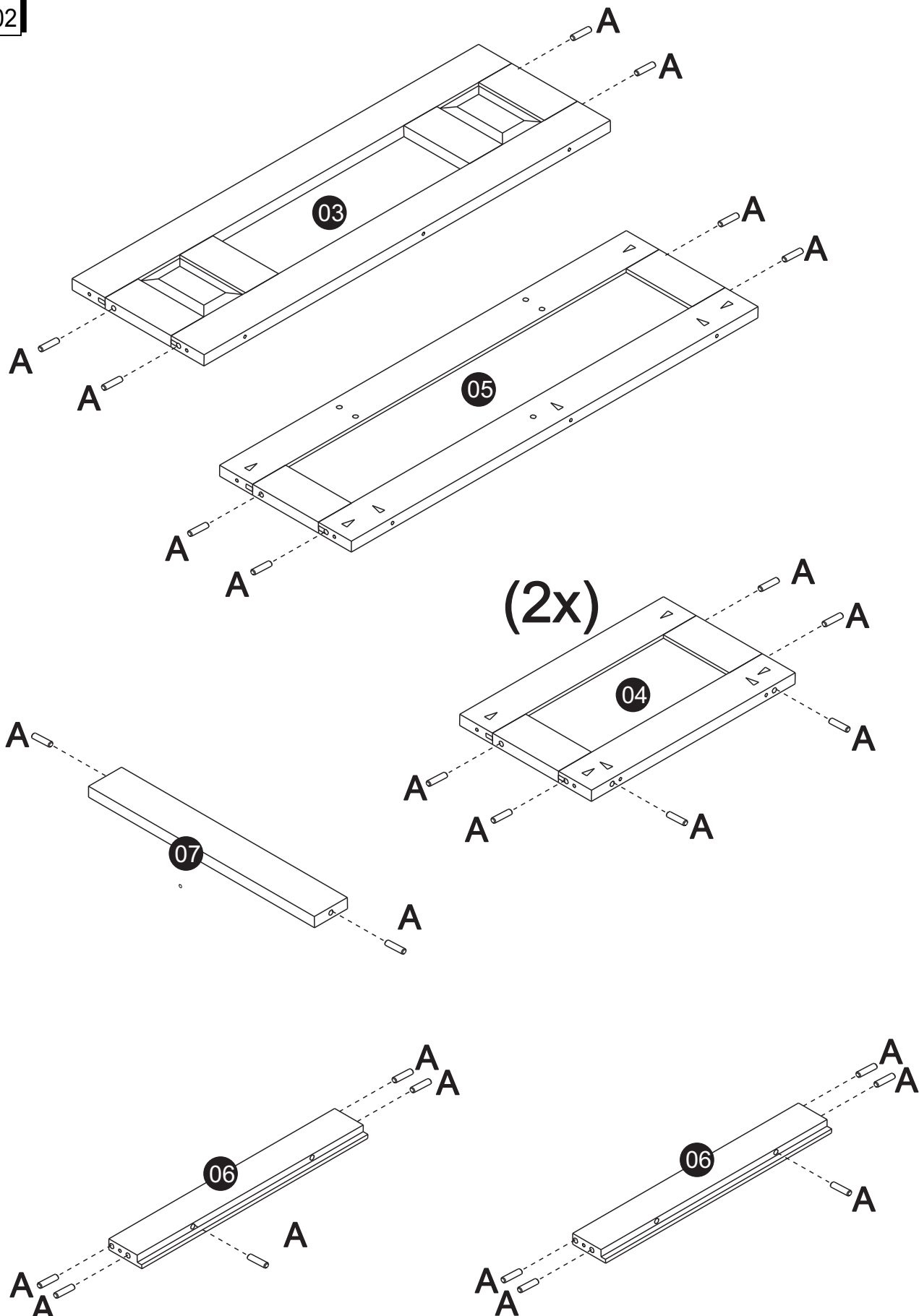
<p>A x 34</p>  <p>8,0 x 30mm</p>	<p>B x 08</p>  <p>3,0 x 30mm</p>	<p>C x 15</p>  <p>3,5 x 30mm</p>	<p>D x 01</p> 
<p>E x 01</p>  <p>Ø 3/16 x 5/8mm</p>	<p>F x 16</p> 	<p>G x 16</p>  <p>4,0 x 40mm</p>	


01

B	 Ø 3,0 x 30mm	08
D		01
E	 Ø 3/16 x 5/8mm	01

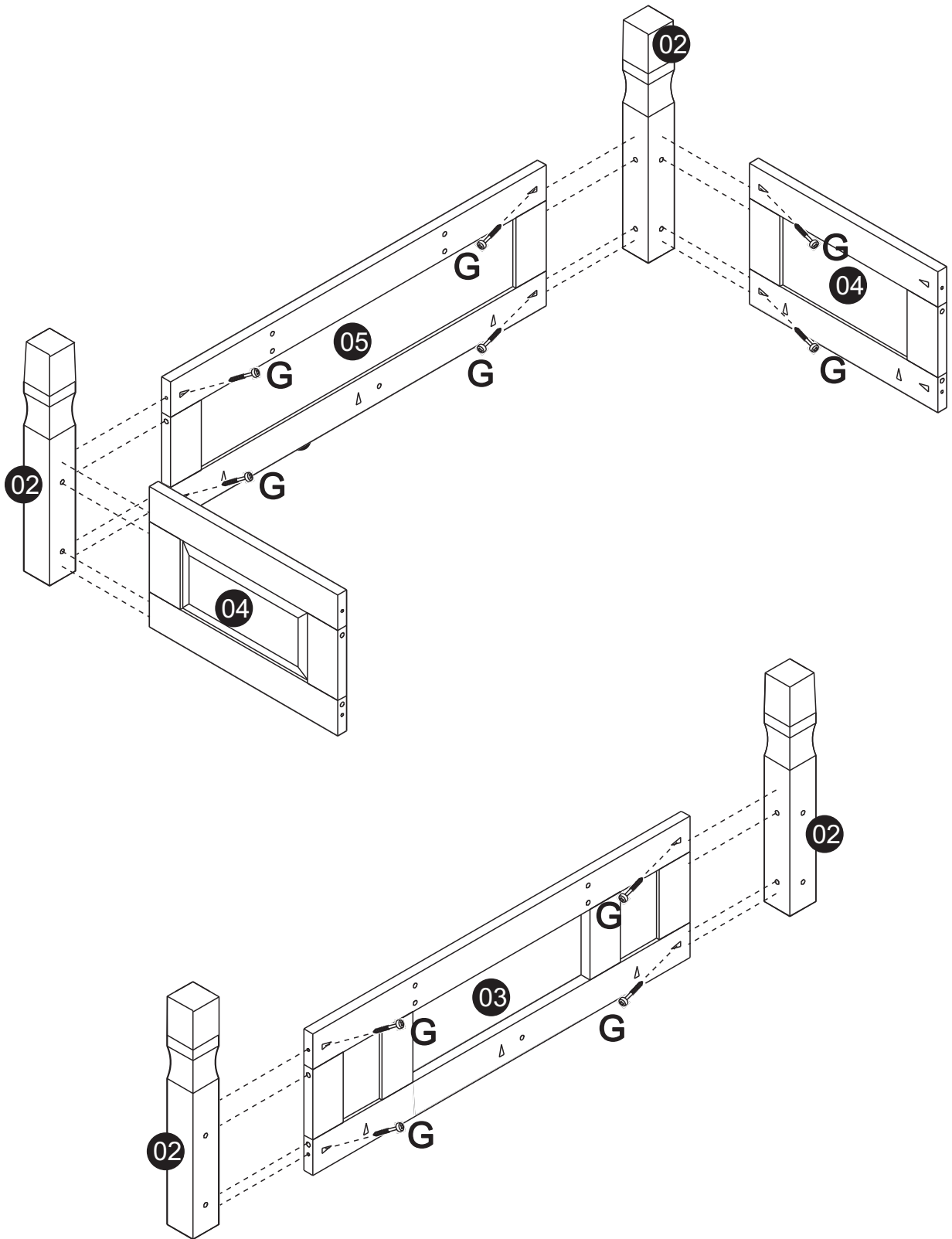



02



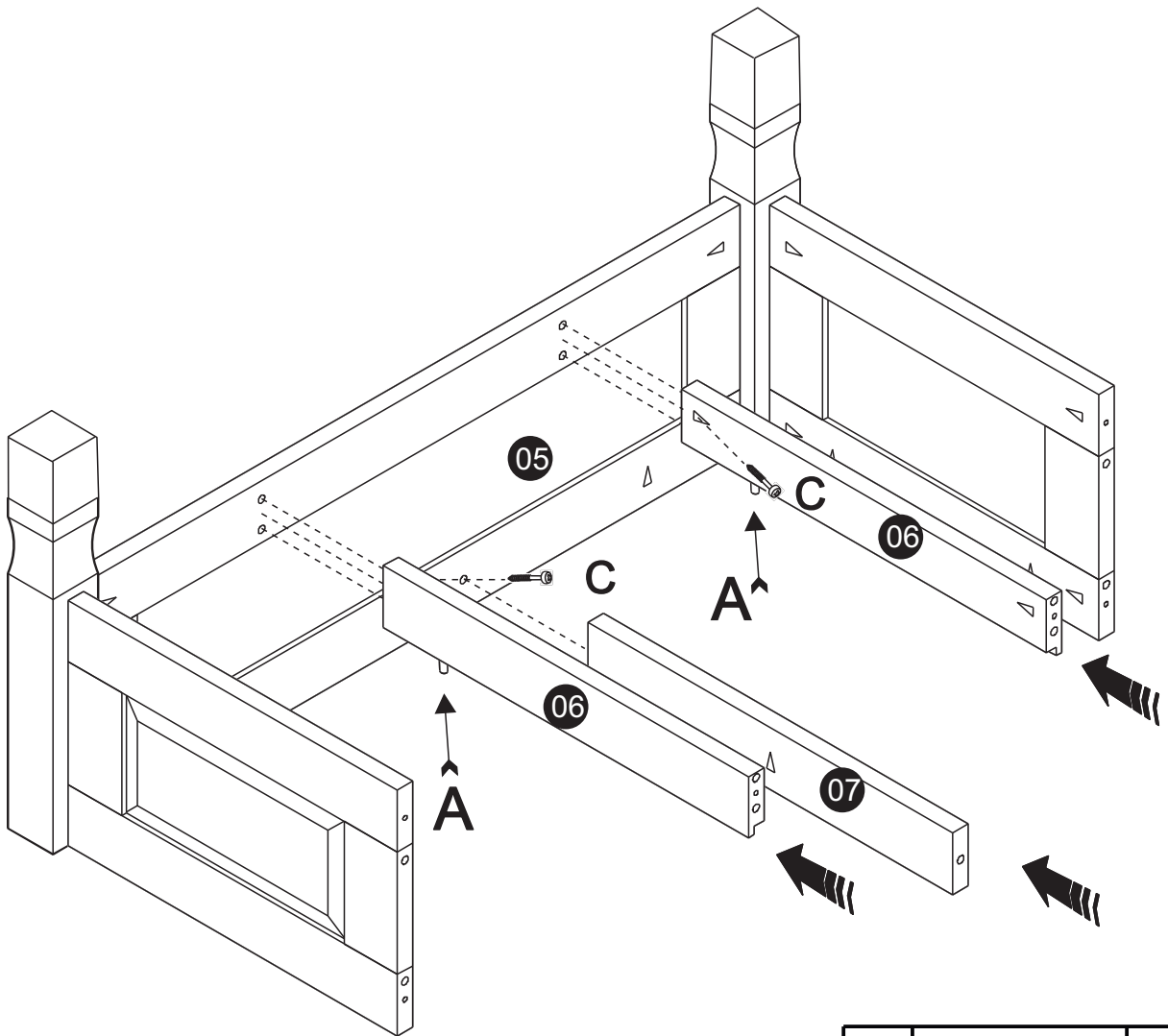
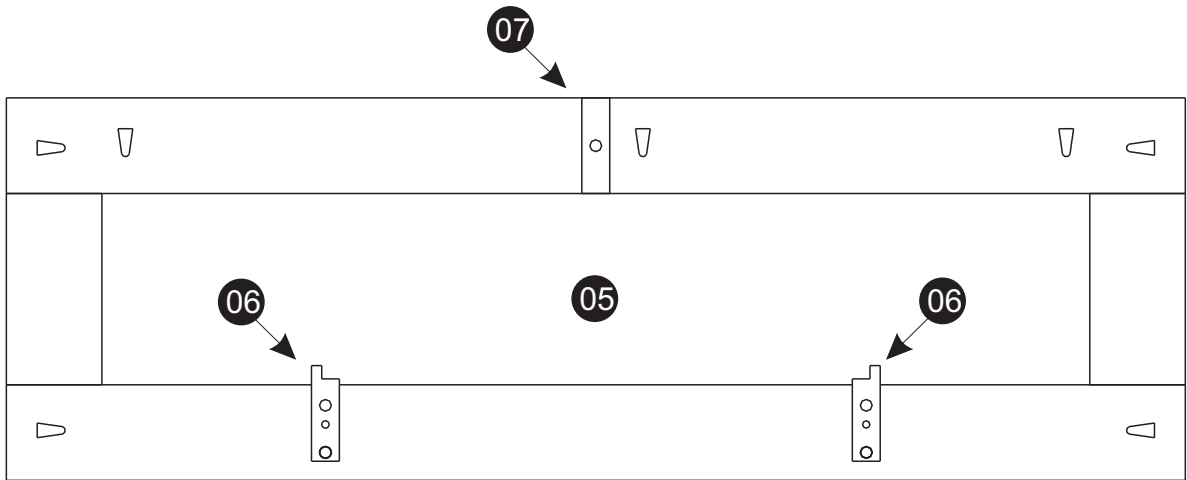
A	 Ø 8 x 30mm	32
---	---	----

03



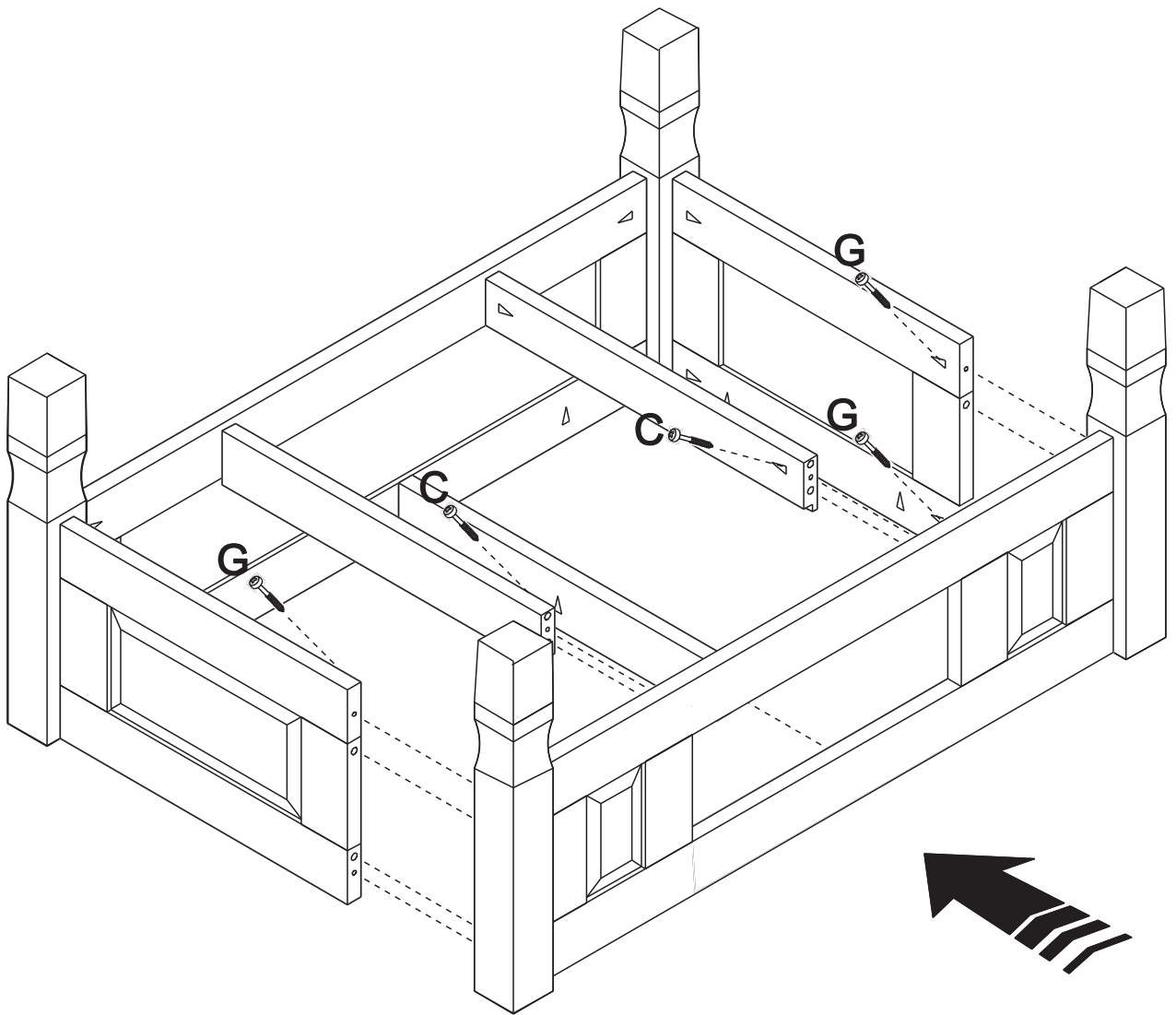
G	 Ø 4,0 x 40mm	12
---	---	----



04



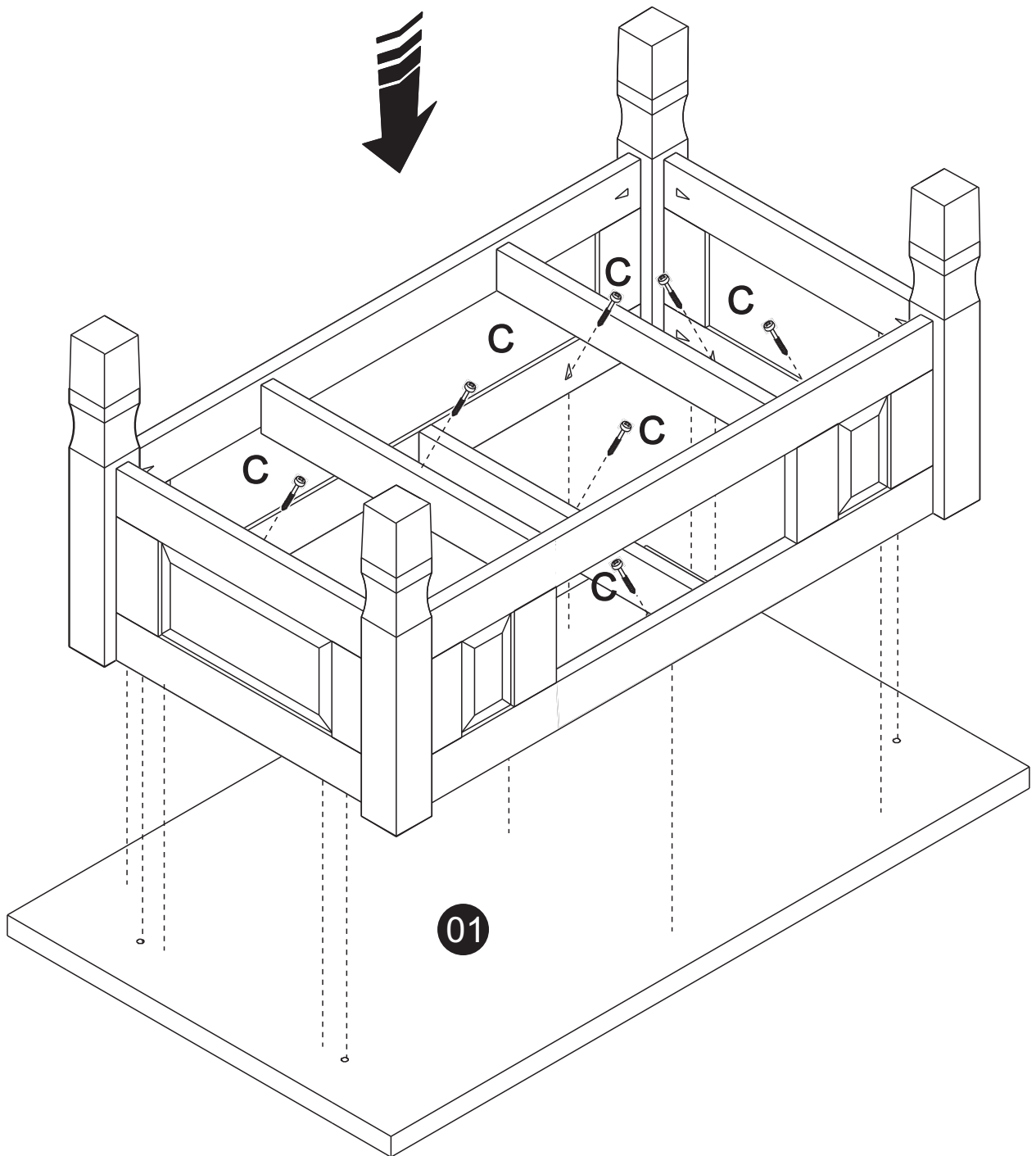
C	 Ø 3,5 x 30mm	02
---	---	----

05



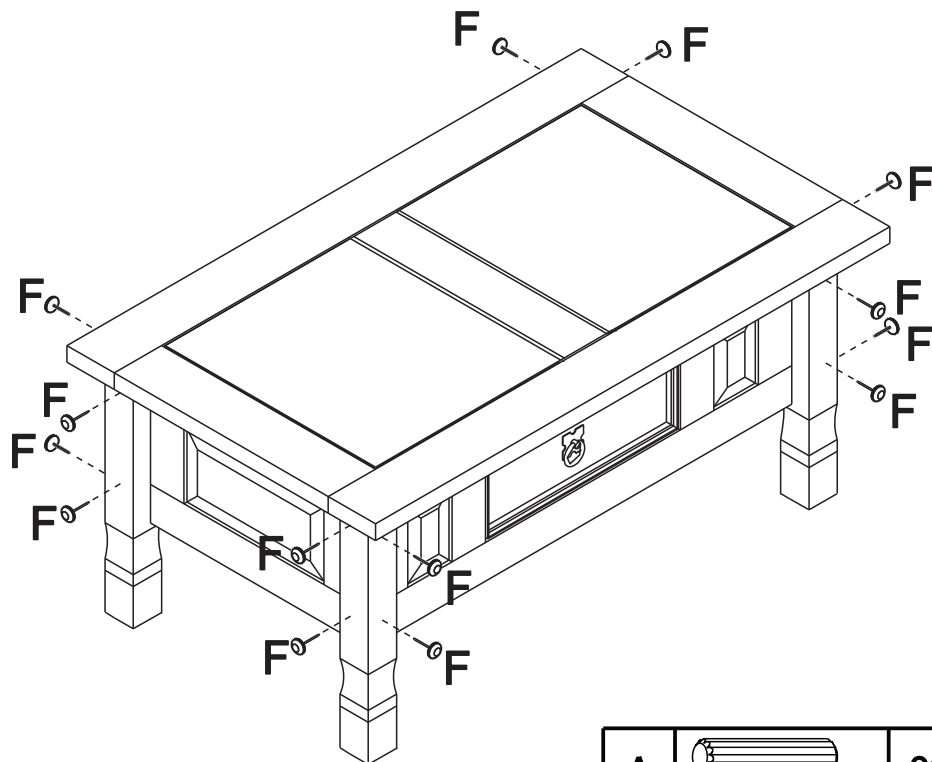
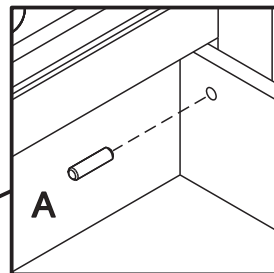
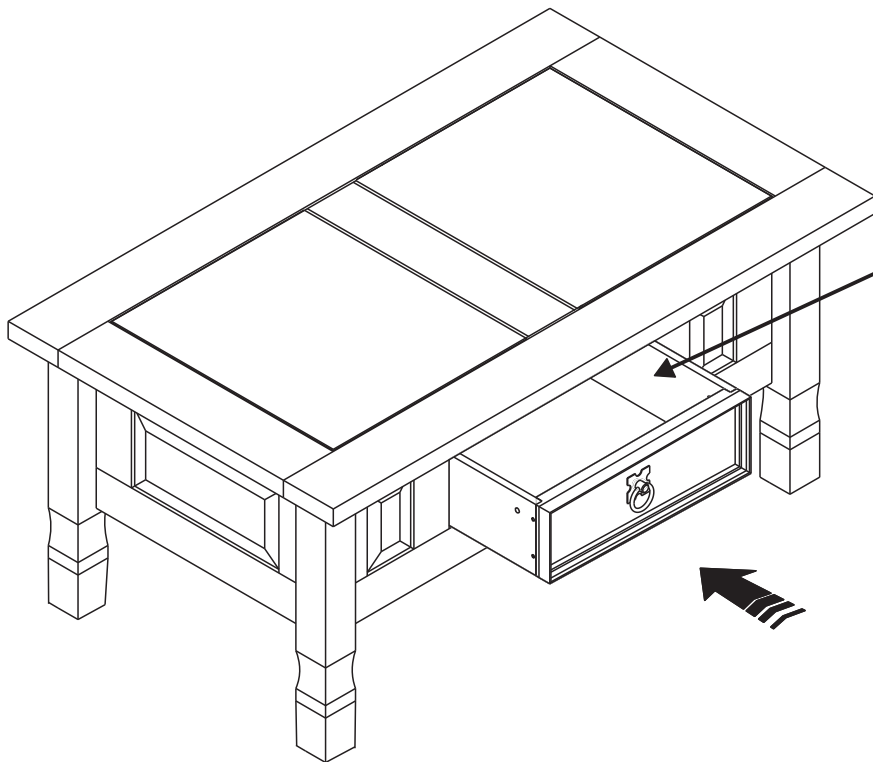
C	 Ø 3,5 x 30mm	02
G	 Ø 4,0 x 40mm	04



06



C	 Ø 3,5 x 30mm	11
---	---	----

07



A	 Ø 8 x 30mm	02
F		16