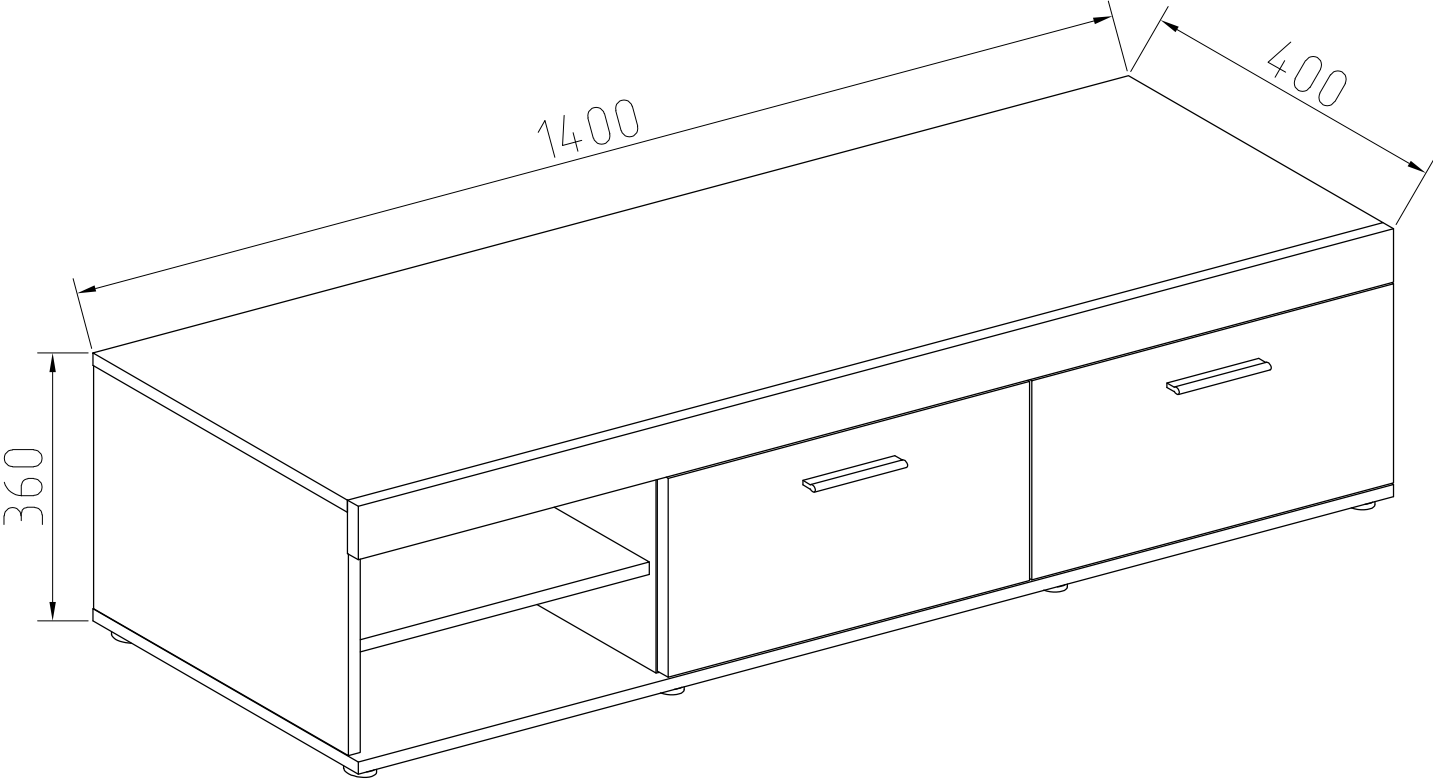
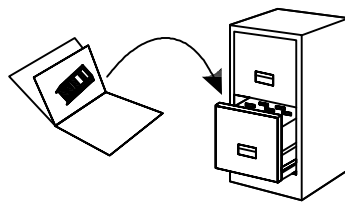
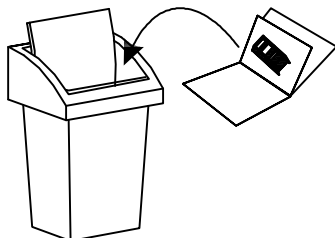
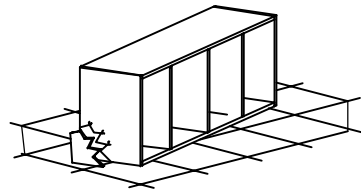
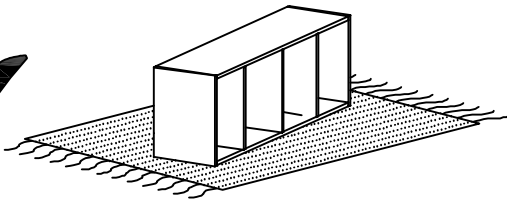
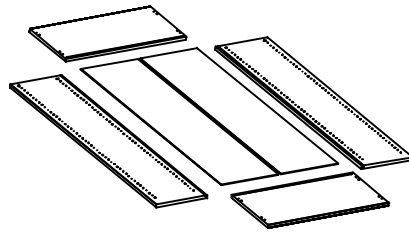
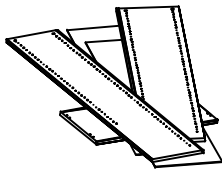
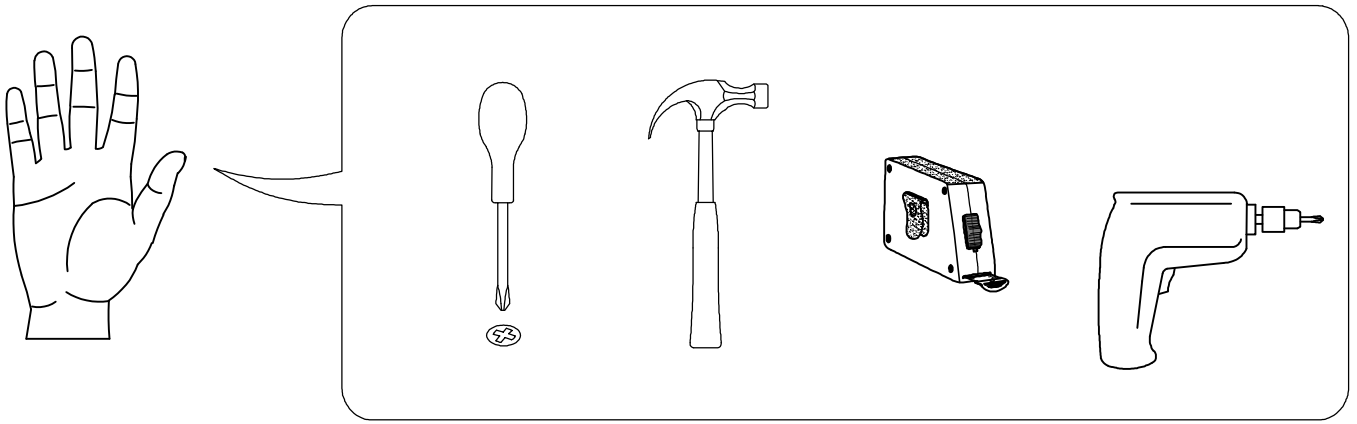

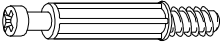

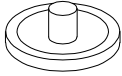
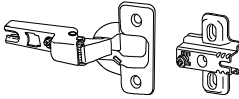
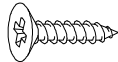
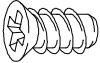

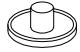

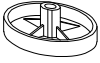

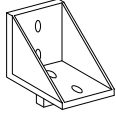
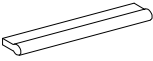

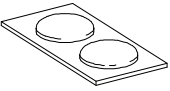



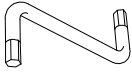
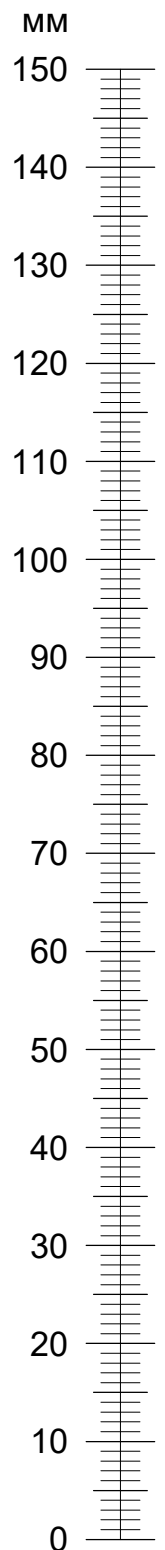


# IVOR

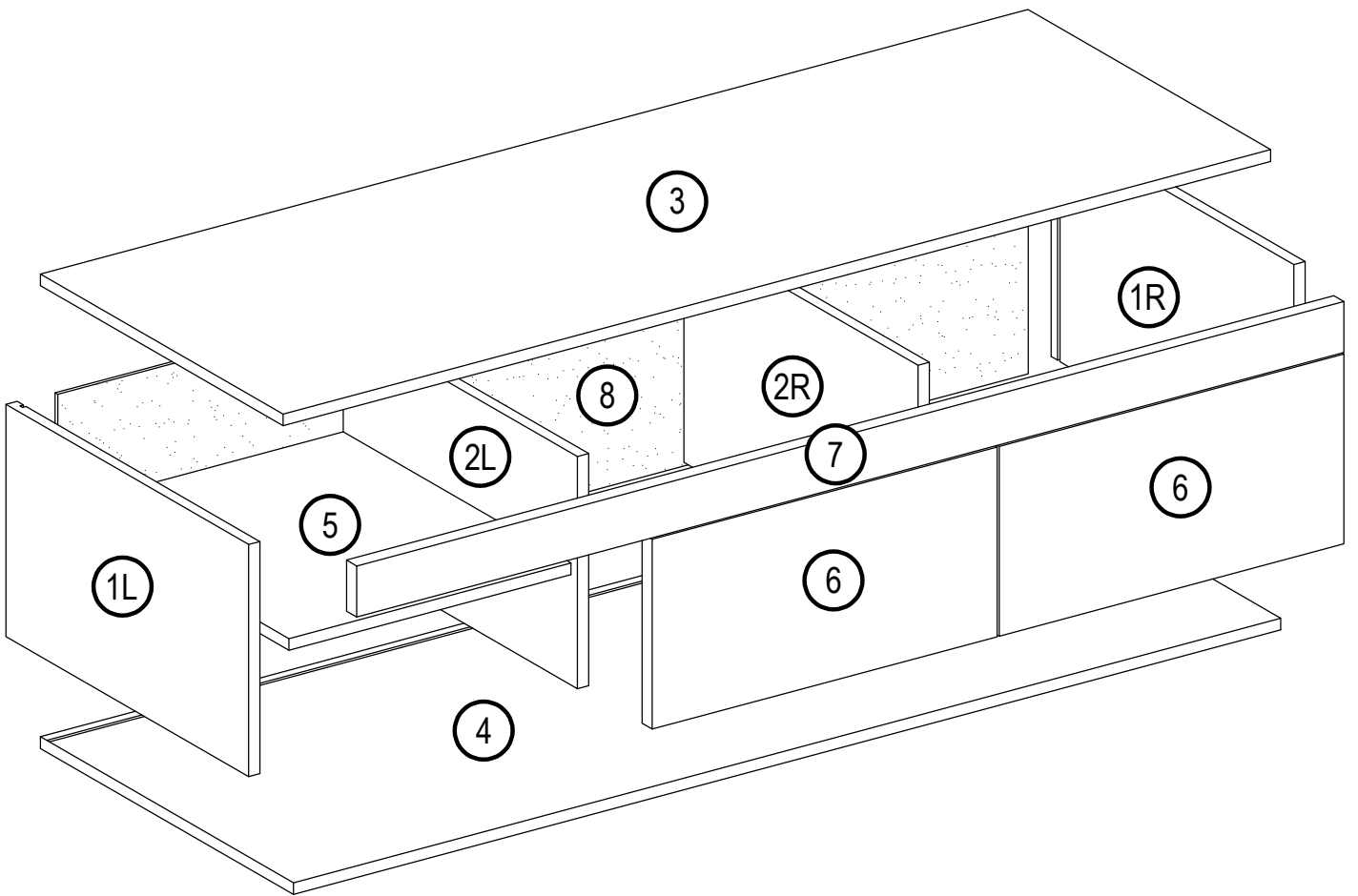




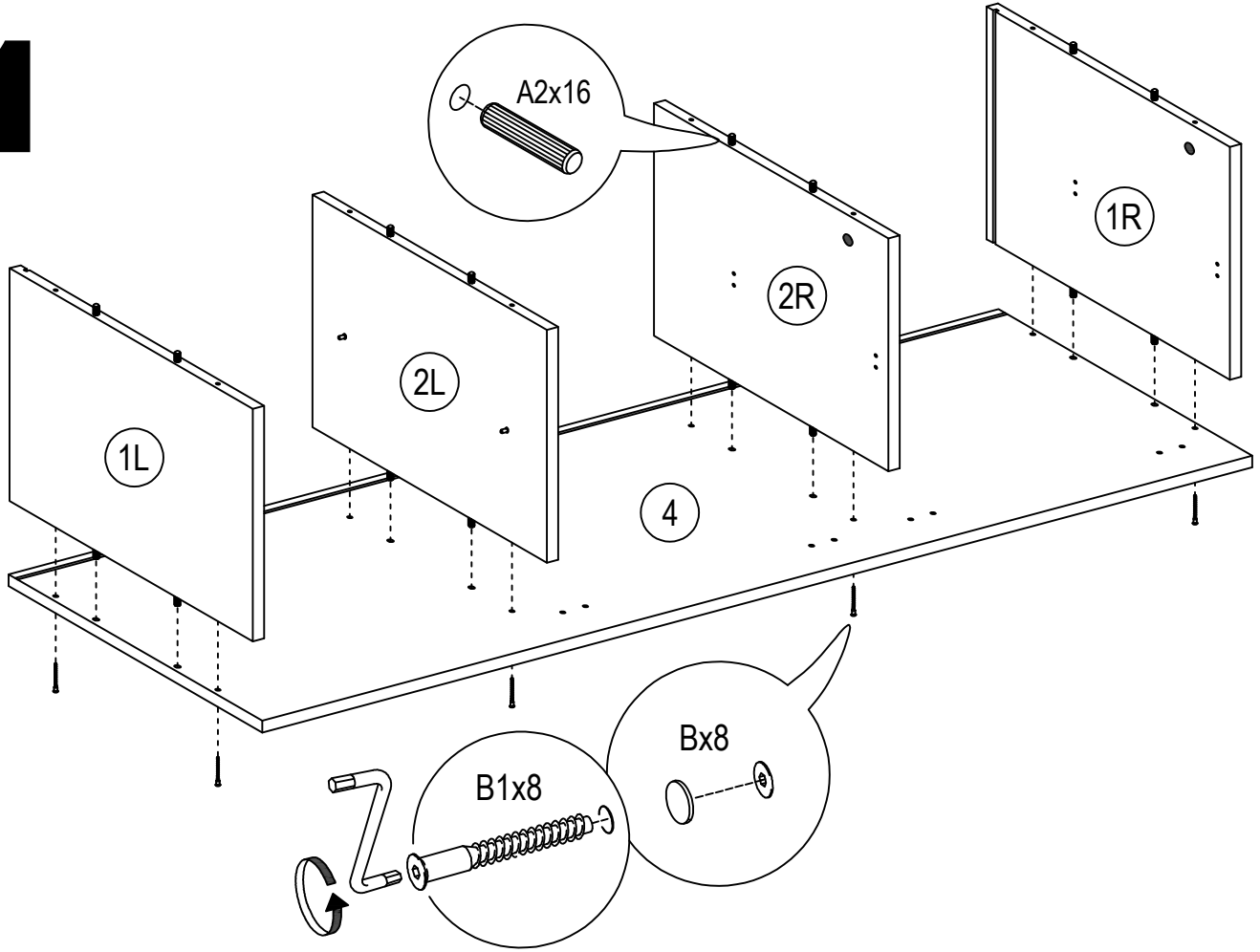
 <b>J1</b> 5*16mm x4	 <b>C1</b> 6*43mm x8	 <b>D1</b> 15/16 x8
 <b>D</b> $\phi$ 20mm x8	 <b>L2</b> x4	 <b>E11</b> 4*16mm x28
 <b>F3</b> 6,3*13mm x8	 <b>B1</b> 6,3*50mm x8	 <b>B</b> $\phi$ 12mm x8
 <b>A1</b> 8*30mm x16	 <b>K5</b> x8	 <b>H2</b> x8
 <b>S13</b> x5	 <b>I9</b> x2	 <b>E7</b> 3,5*25mm x4
 <b>U6</b> x3	 <b>N4</b> R + L x1	 <b>E4</b> 3*20mm x8
 <b>E3</b> 3*15mm x6	 <b>R4</b> N°4 x1	



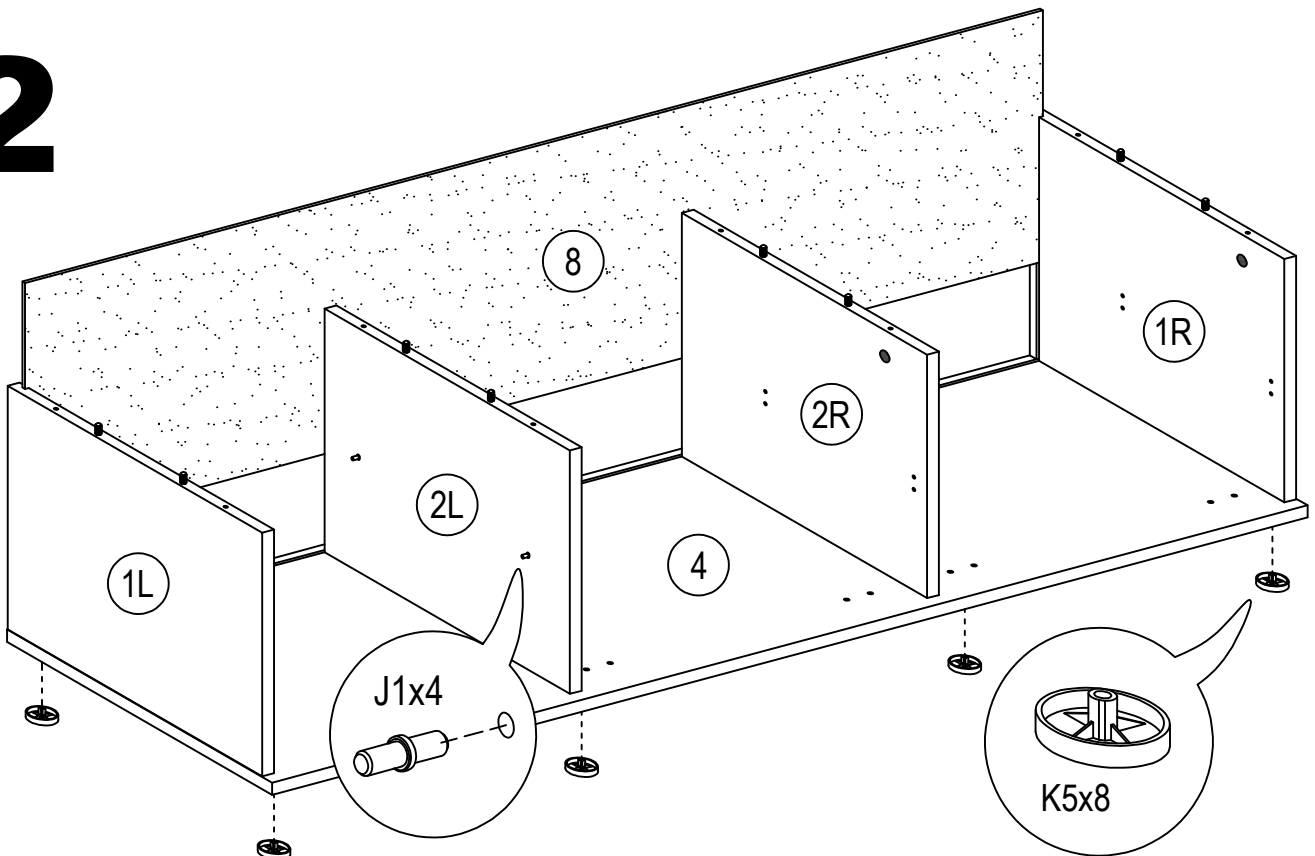
N°	a * b	X	N°	a * b	X
1R	318x384	1	4	1400x400	1
1L	318x384	1	5	399x360	1
2R	318x370	1	6	489x260	2
2L	318x370	1	7	1400x70	1
3	1400x384	1	8	1375x328	1



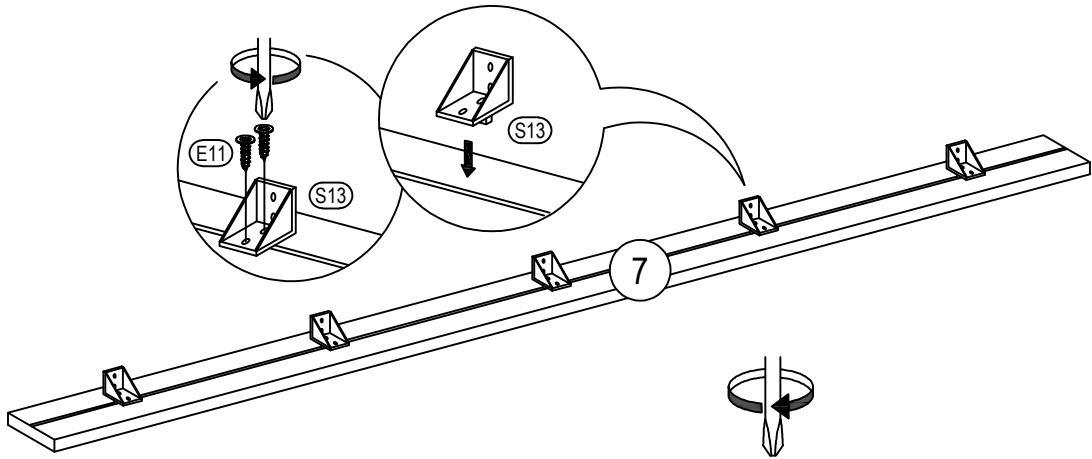
# 1



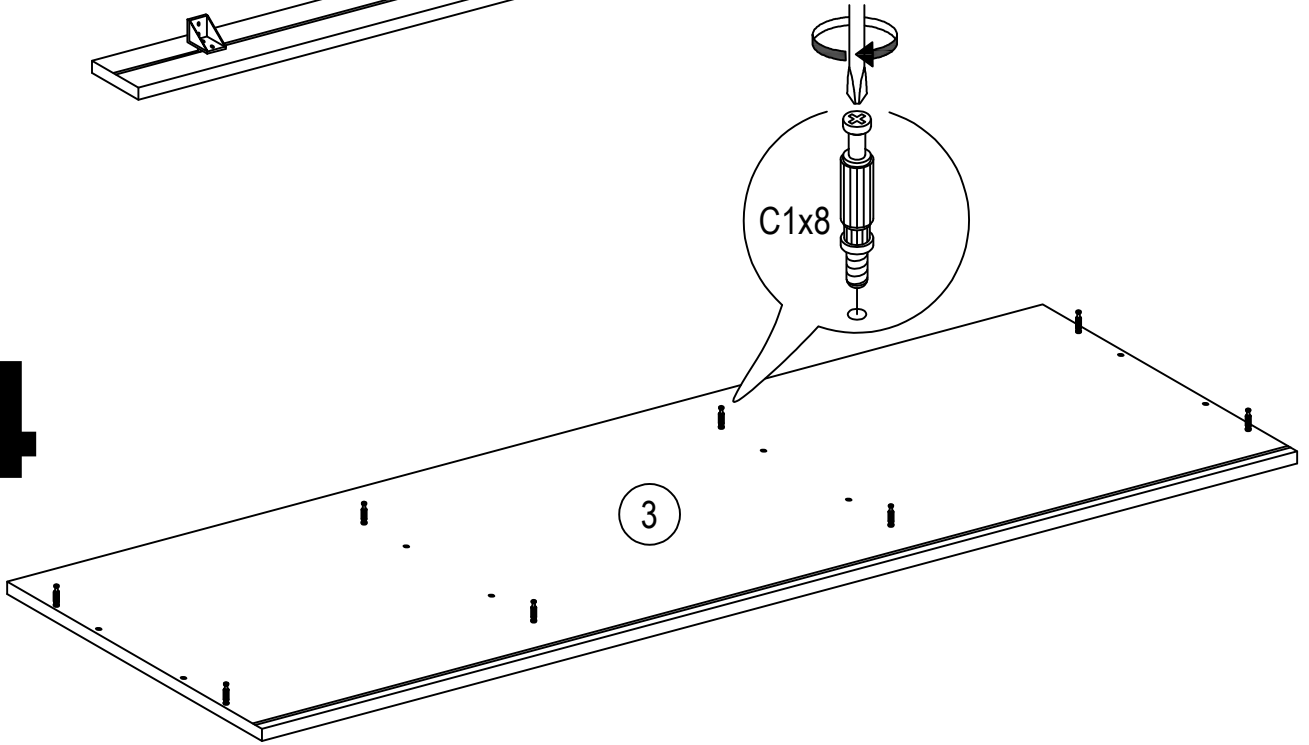
# 2



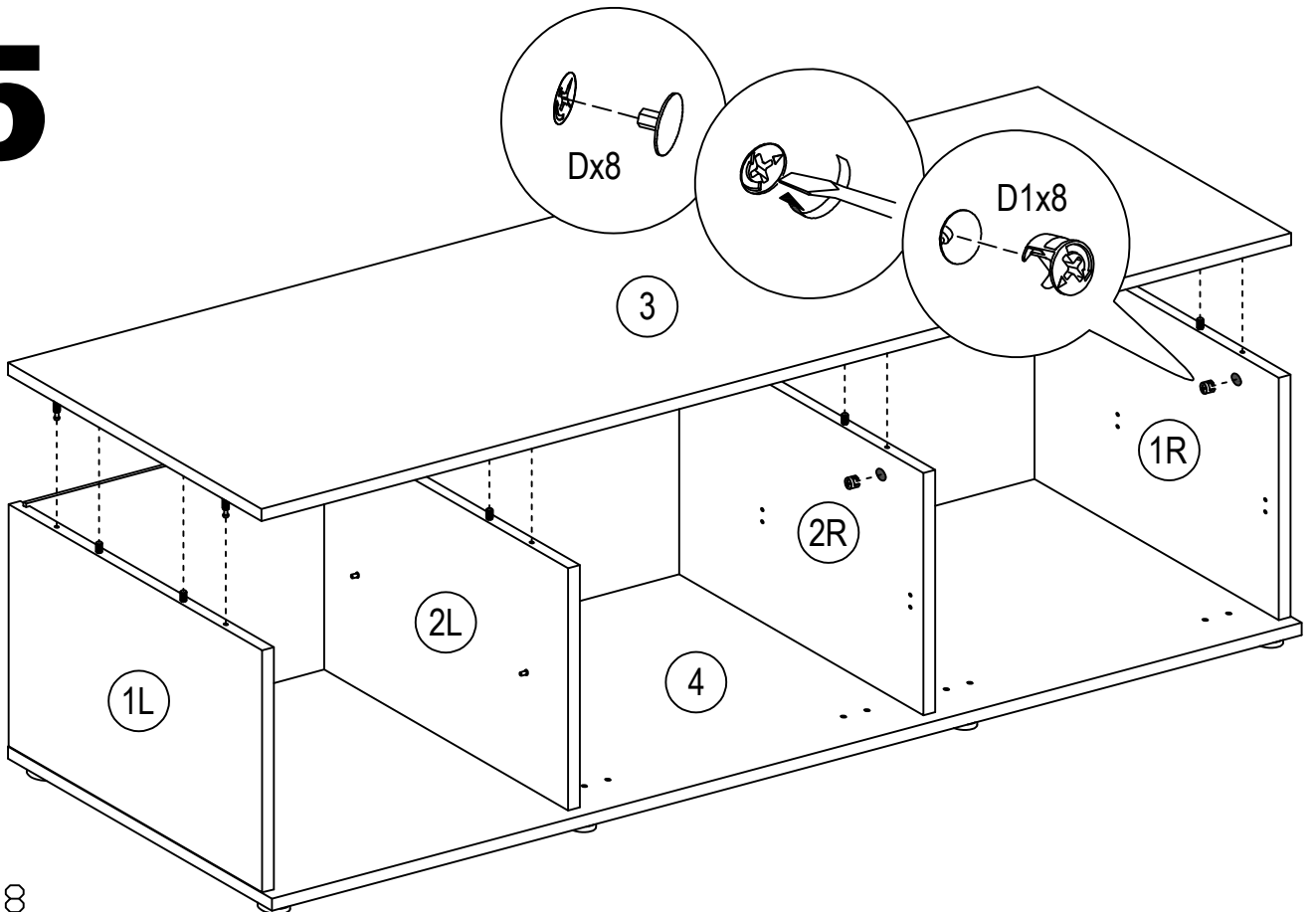
# 3



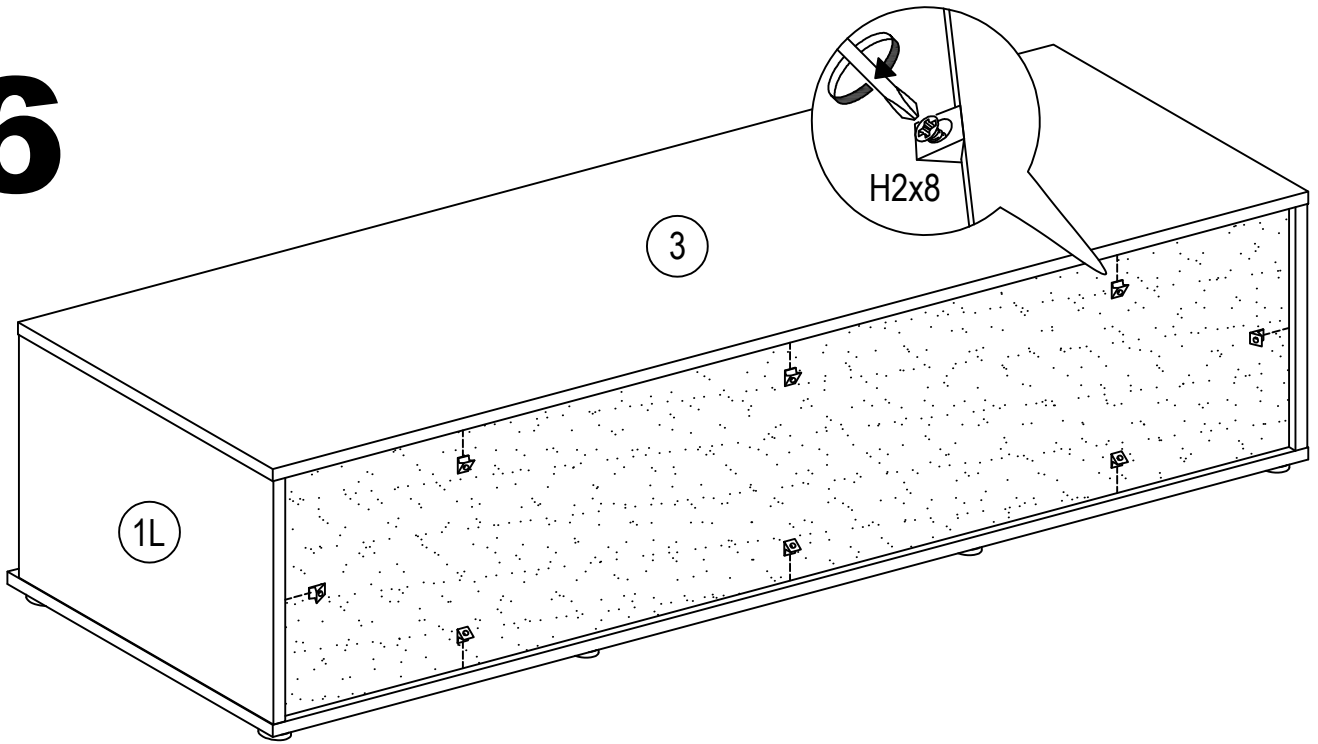
# 4



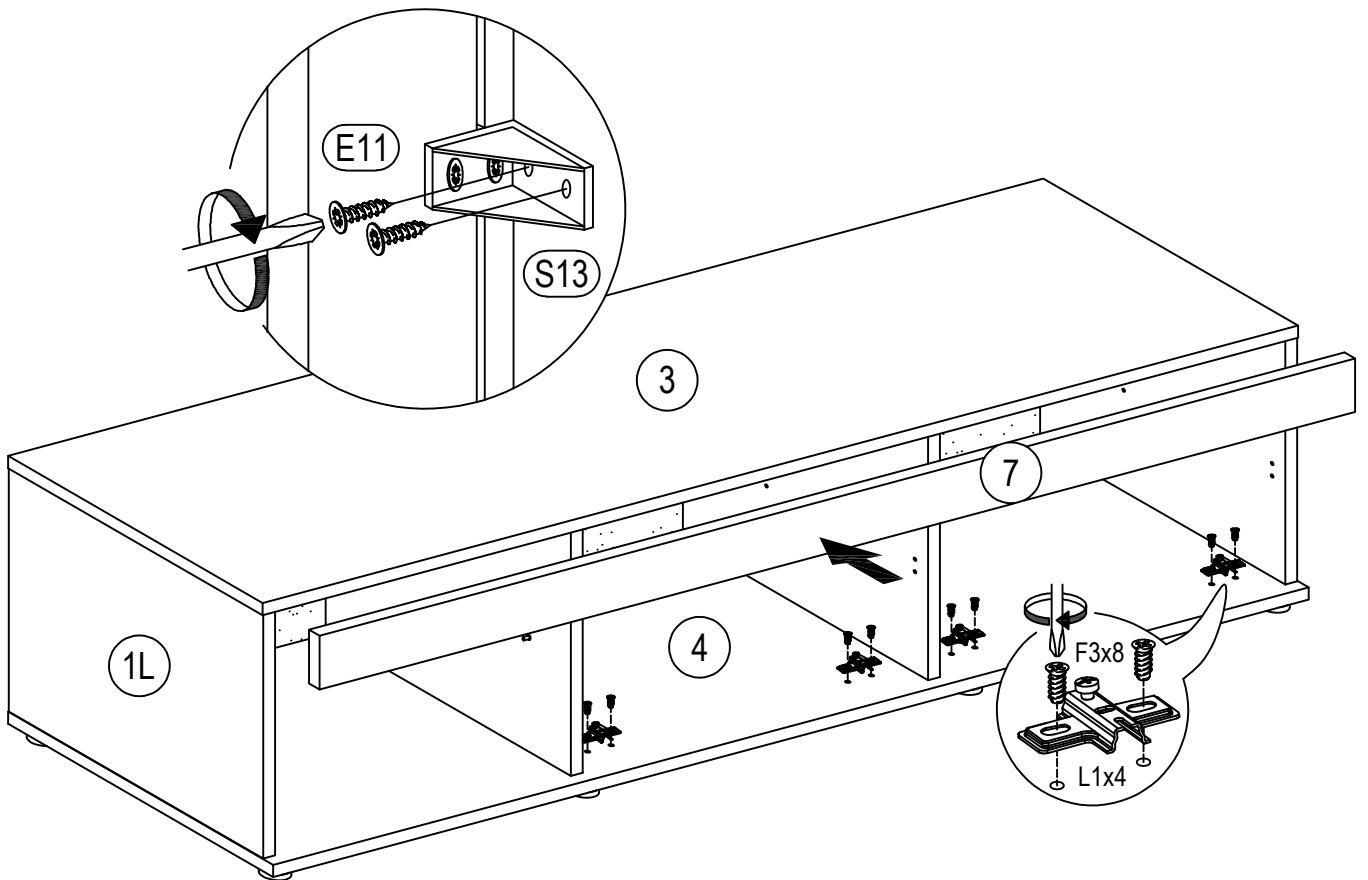
# 5



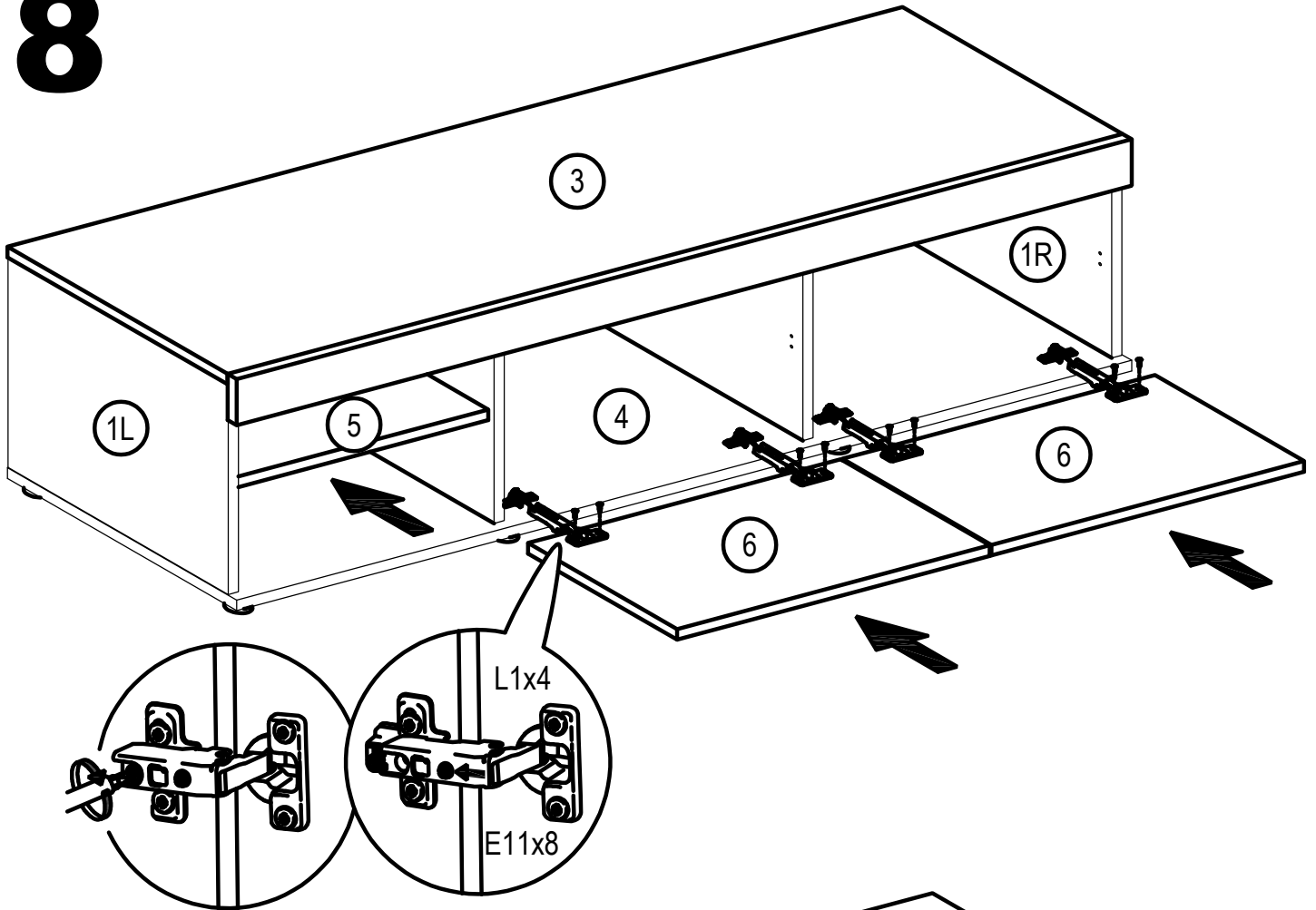
# 6



# 7



# 8



# 9

