

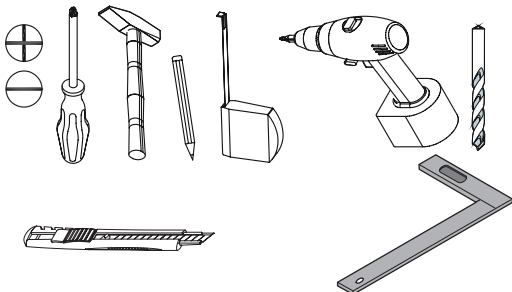
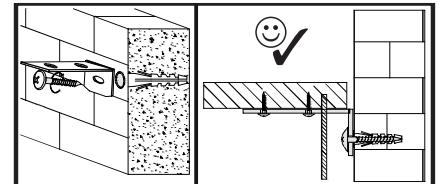
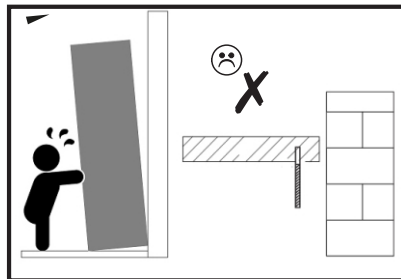
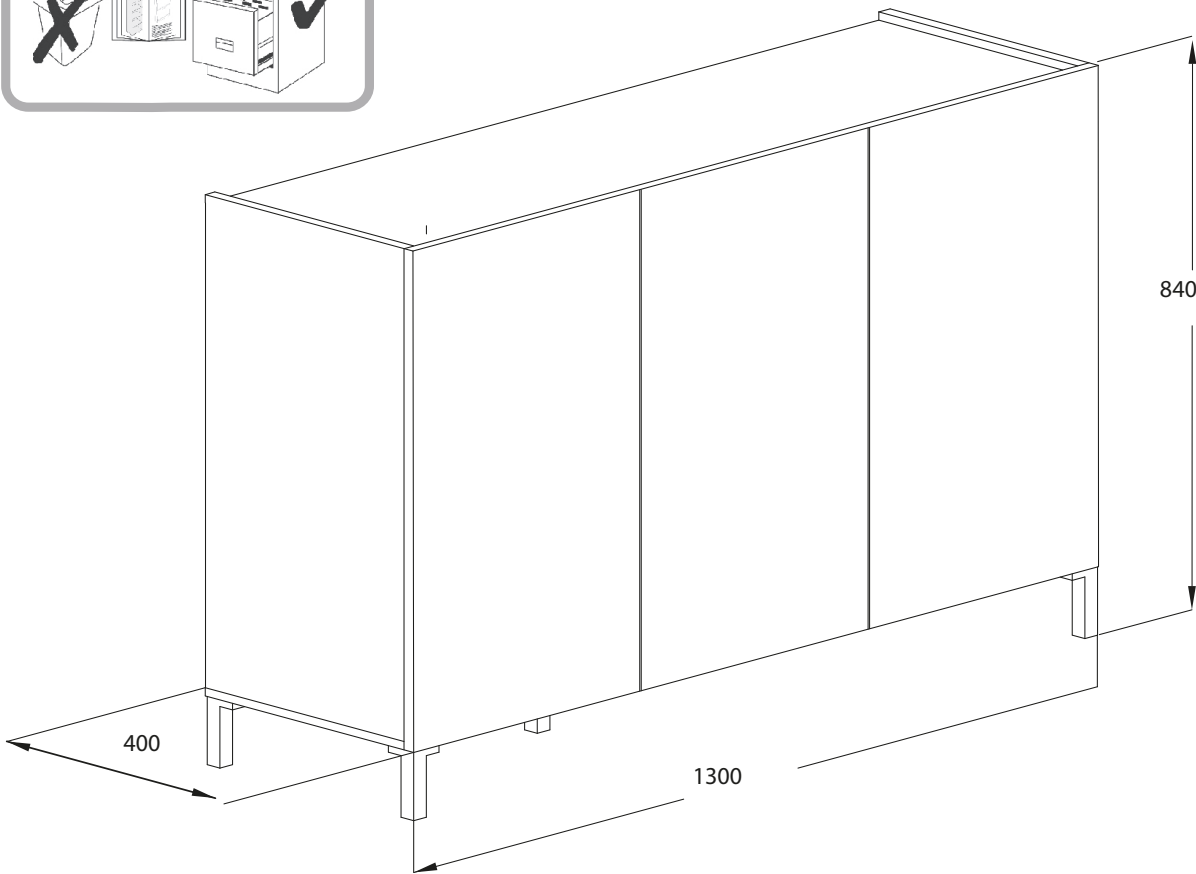
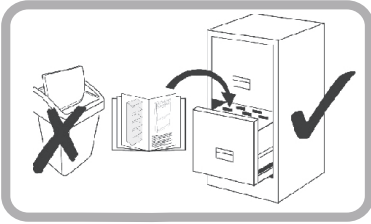
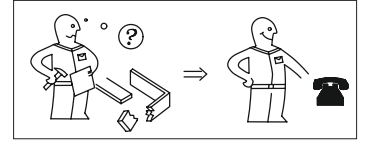
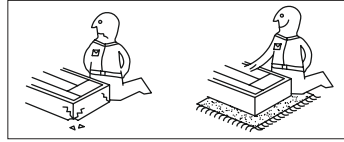
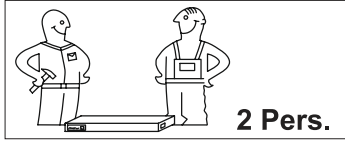
Modello:

**Mike/Eddy**



Elemento:

**4381**



Modello:

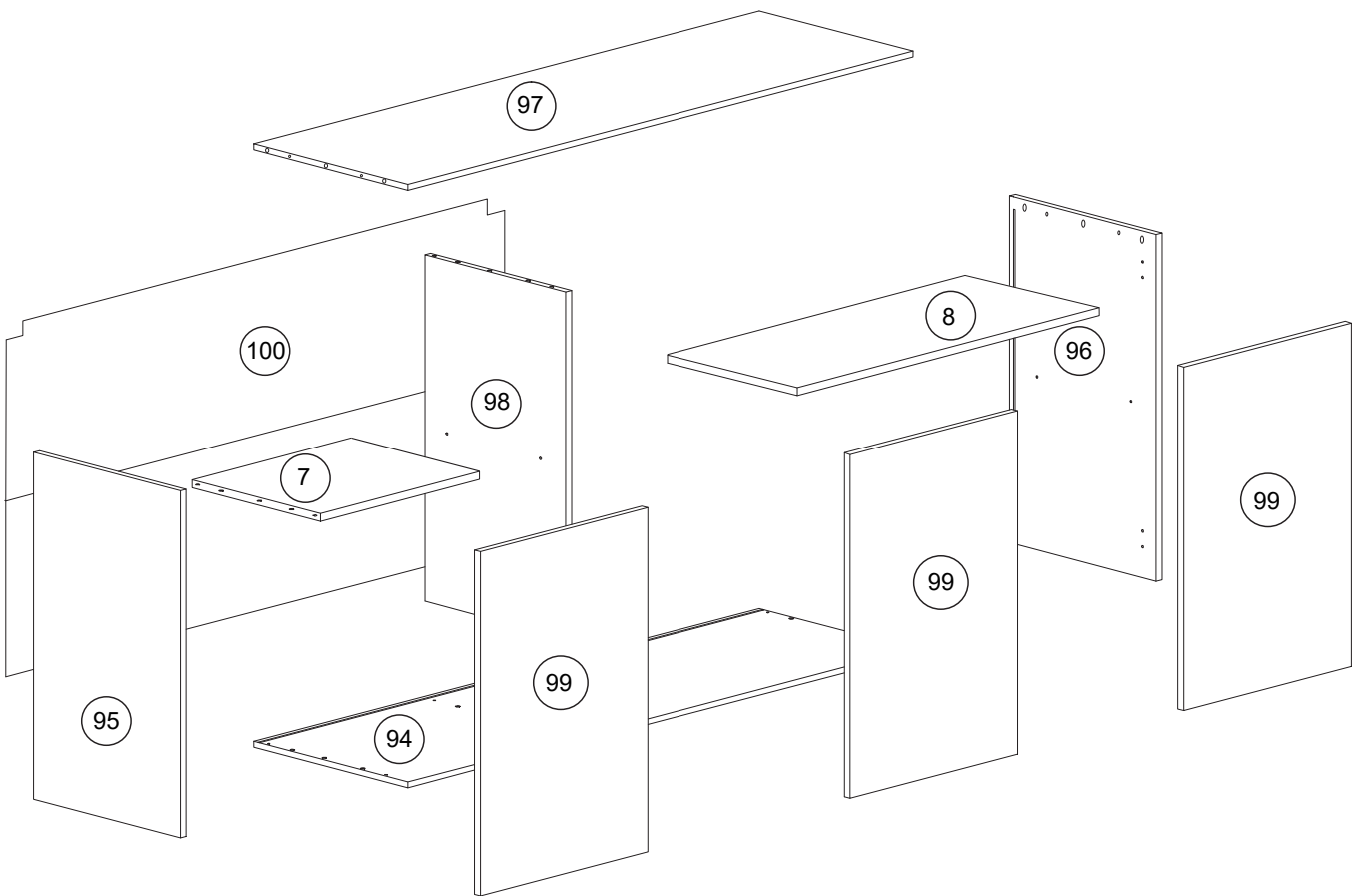
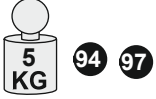
**Mike/Eddy**



Elemento:

**4381**

max.




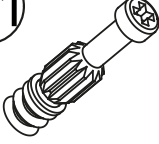


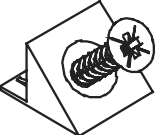
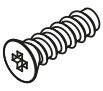
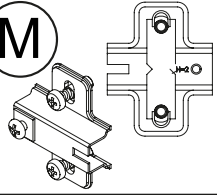
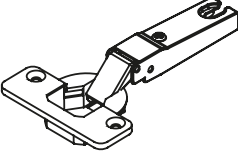
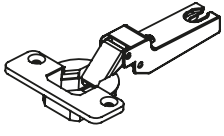
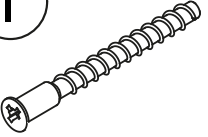
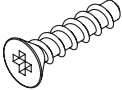
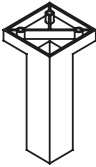

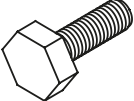
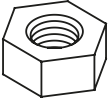
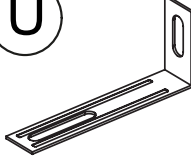

Modello:

**Mike/Eddy**

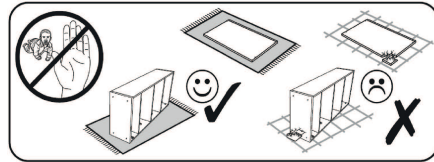
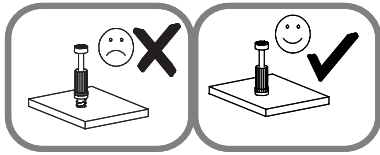


Elemento:

**4381**

<b>A</b> 	<b>B1</b> 	<b>C1</b> 	<b>D</b> 	<b>F</b> 
Ø15X10mm x6	x6	Ø6X30mm x18	x8	x10
<b>H1</b> 	<b>M</b> 	<b>N</b> 	<b>O</b> 	<b>I</b> 
Ø4X20mm x15	x6	15.5mm x4	19mm x2	Ø5X50mm x6
<b>P</b> 	<b>Q</b> 			<b>R</b> 
Ø3,5X15mm x12	x5			Ø16mm x2
<b>S</b> 	<b>T</b> 	<b>U</b> 	<b>V</b> 	
x5	x5	x2	Ø4x12mm x2	

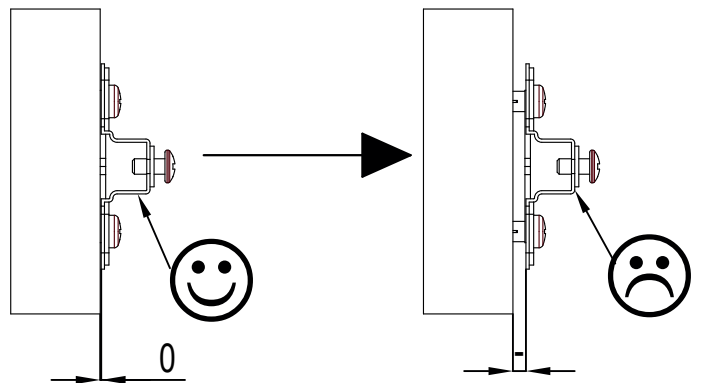
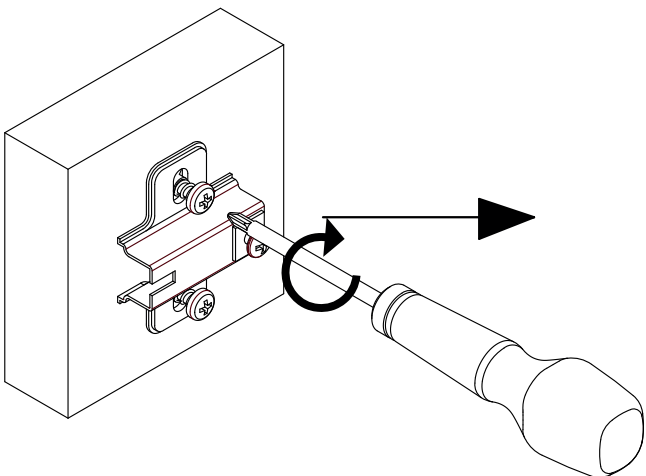
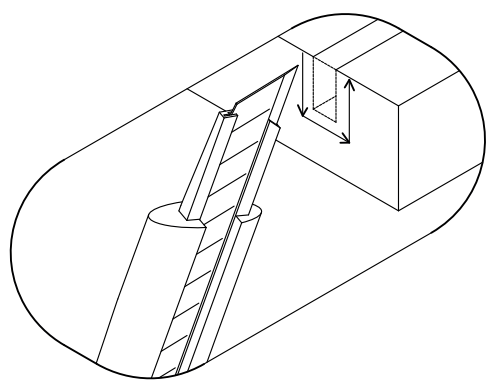
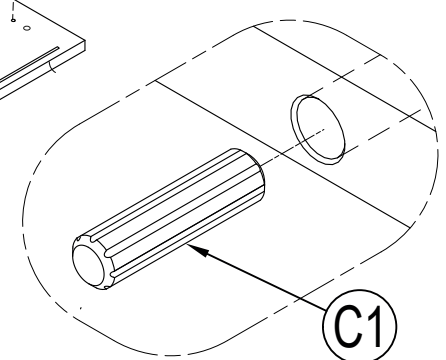
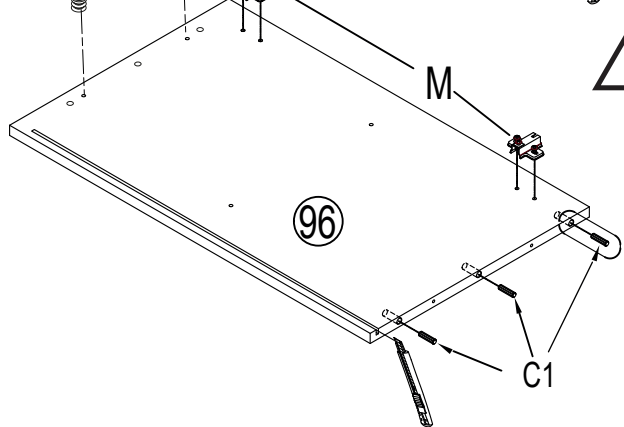
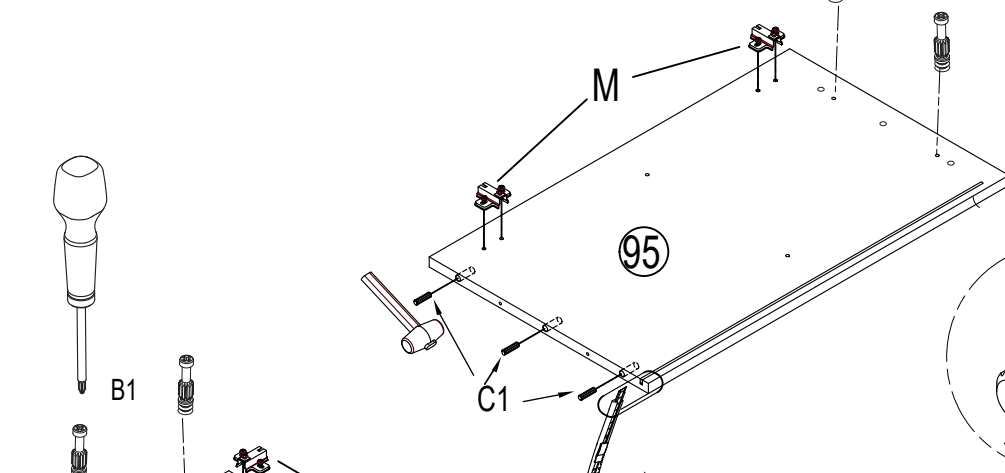
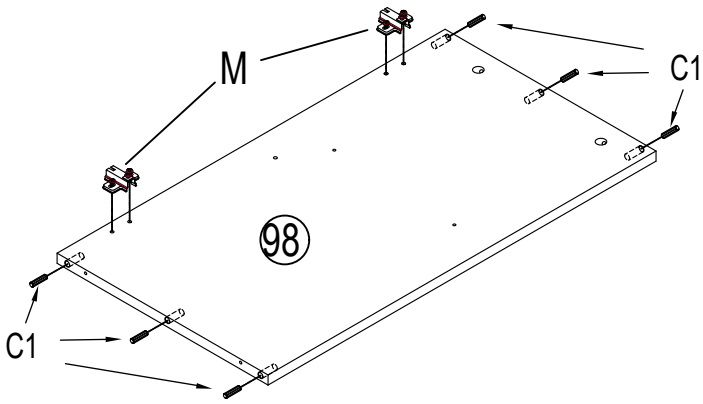
1



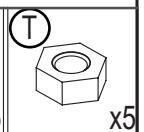
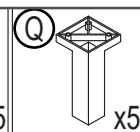
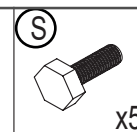
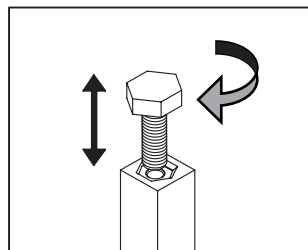
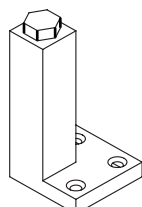
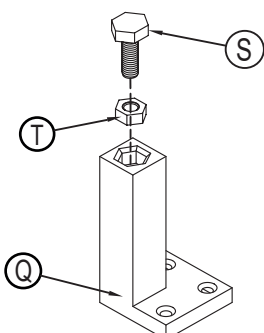
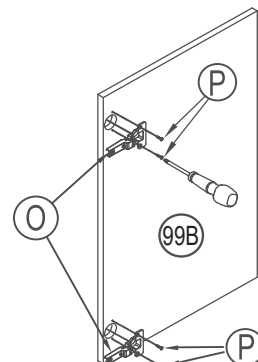
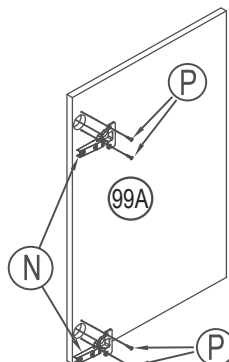
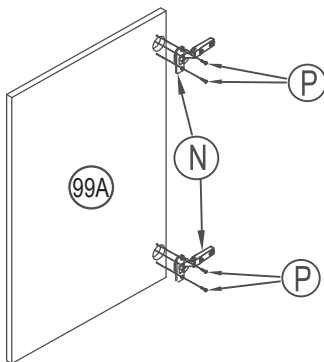
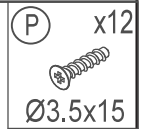
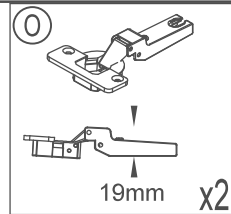
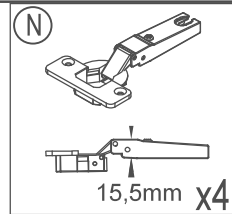
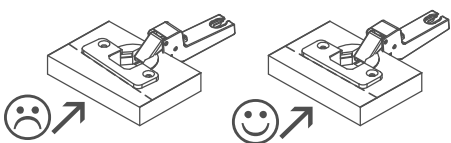
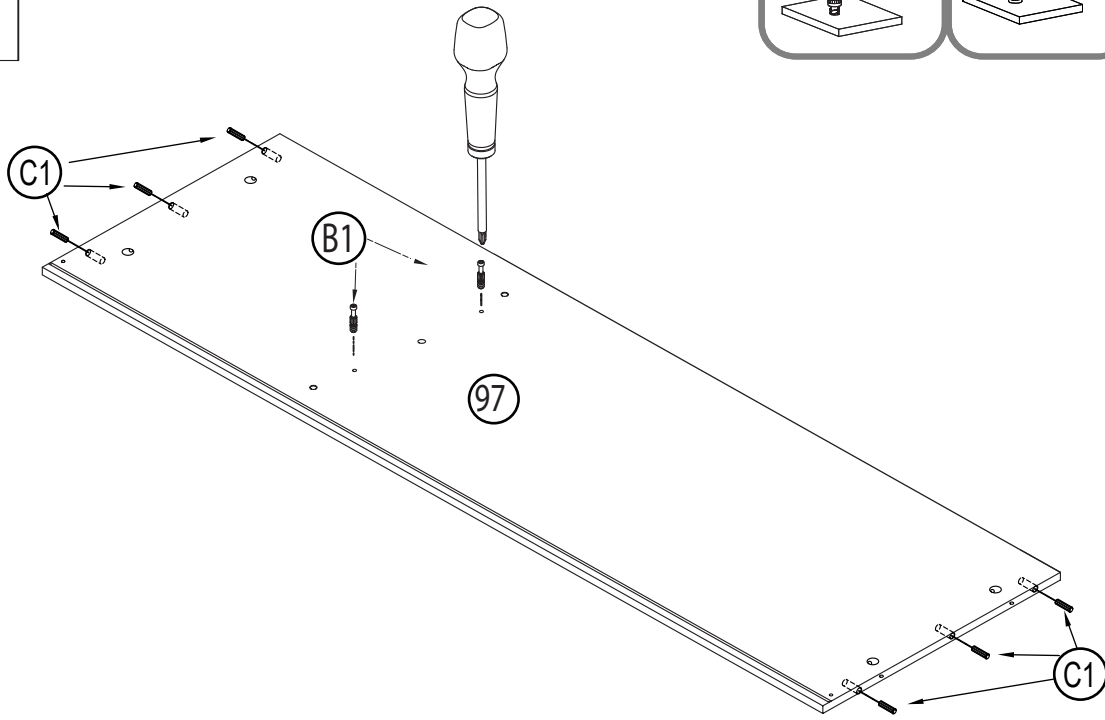
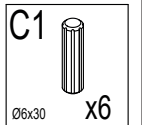
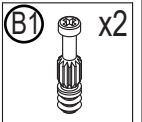
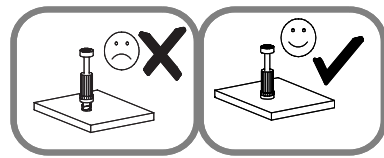
C1  
Ø6x30 x12

M  
H=0  
H2mm x6

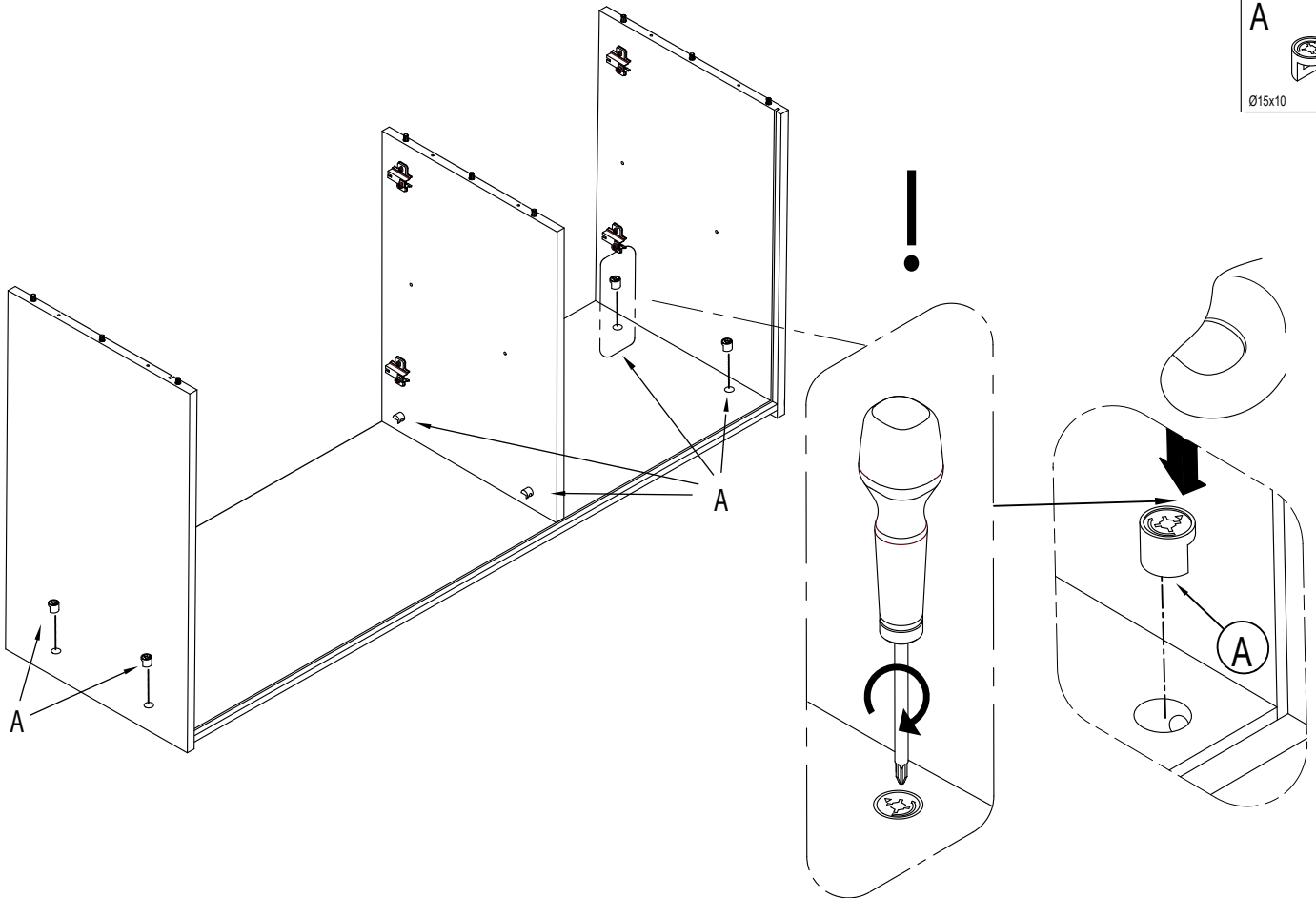
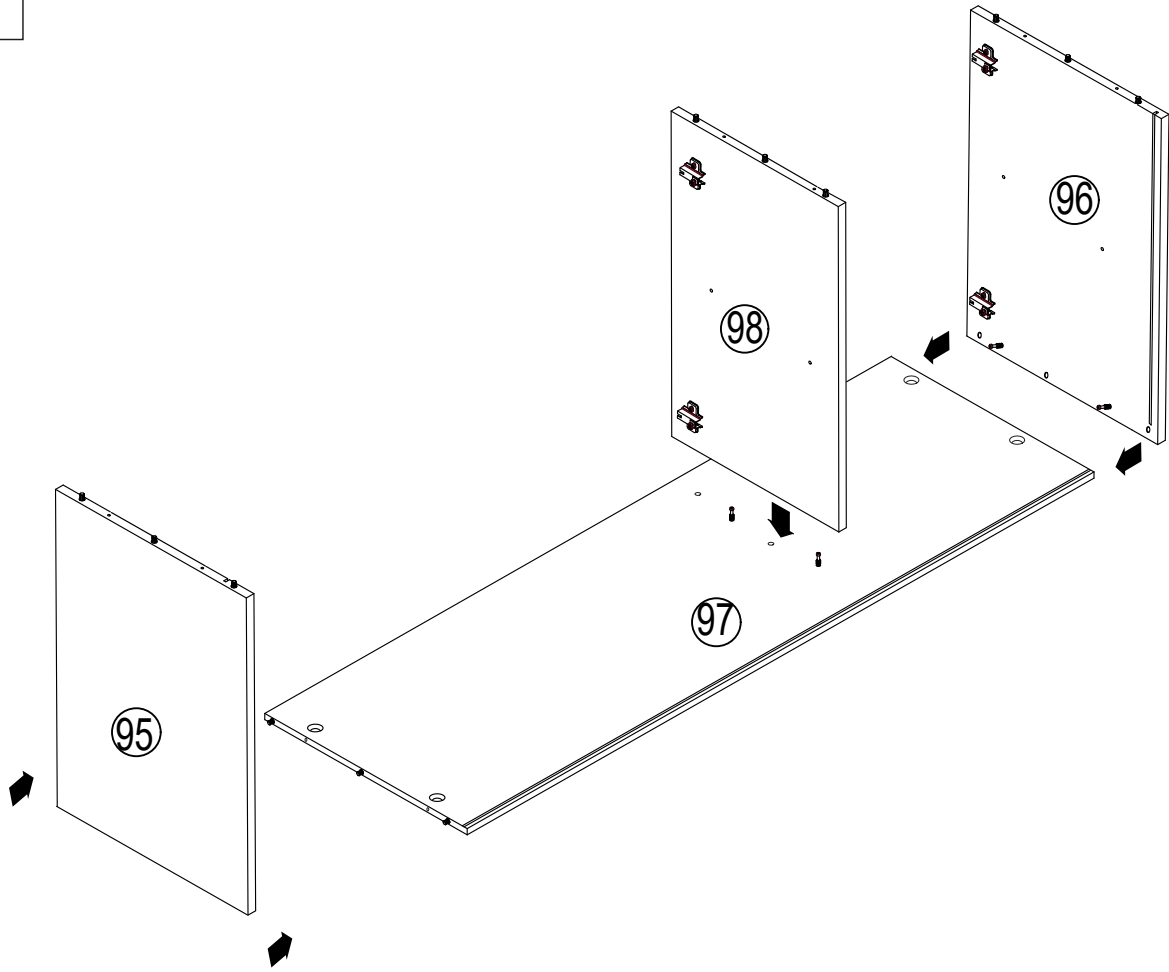
B1 x4



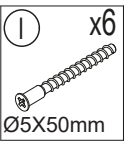
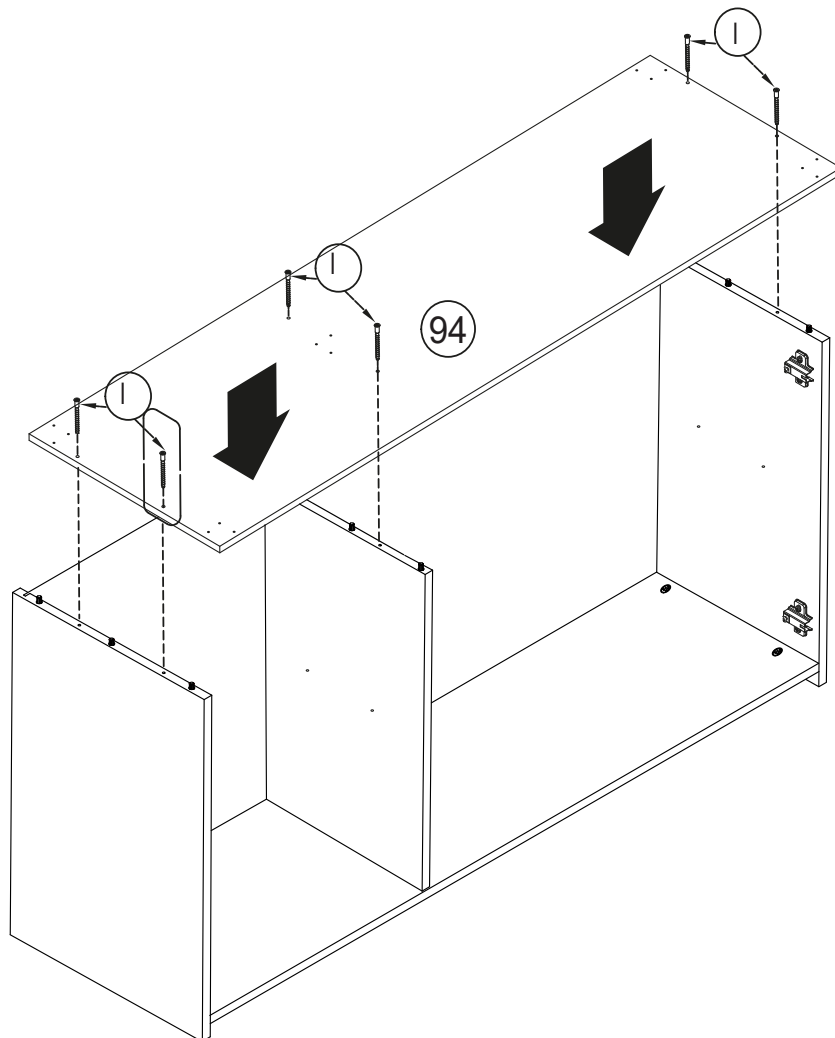
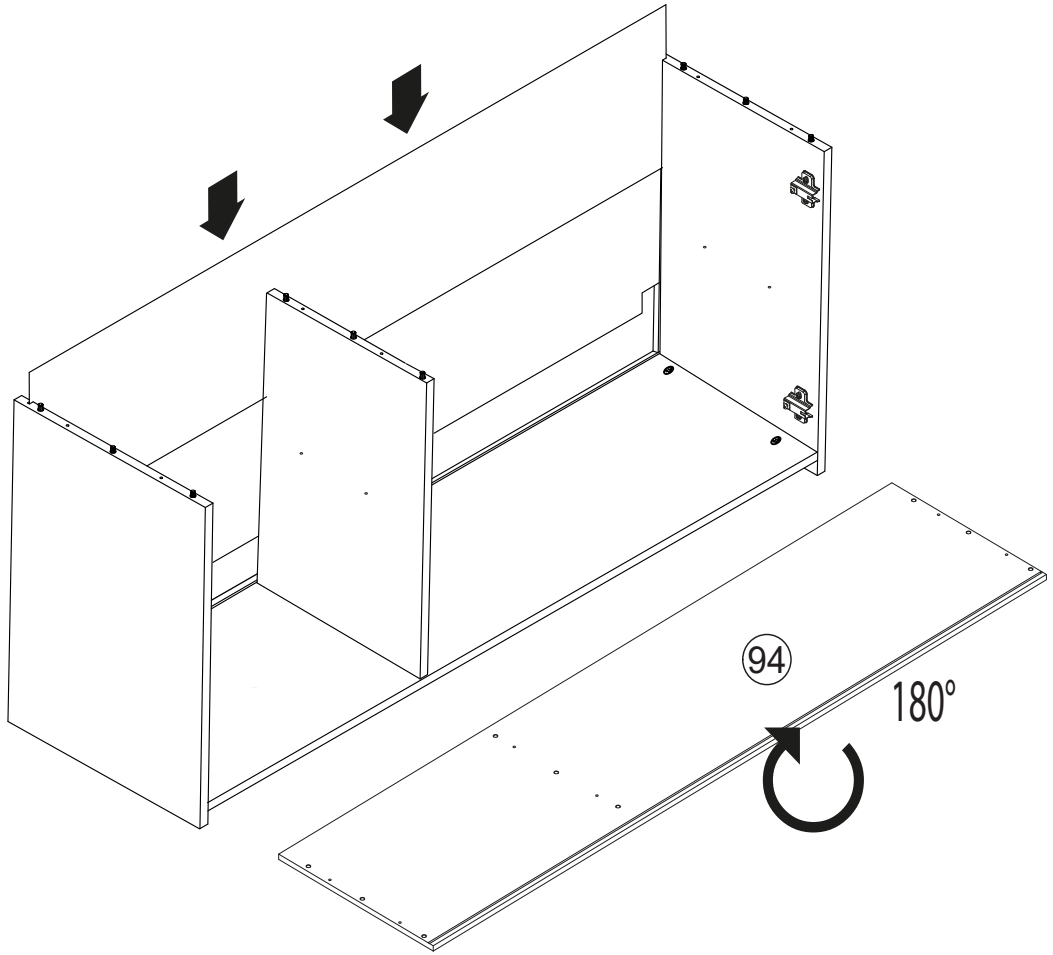
2




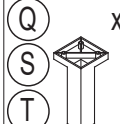
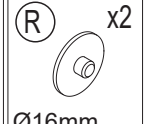
3

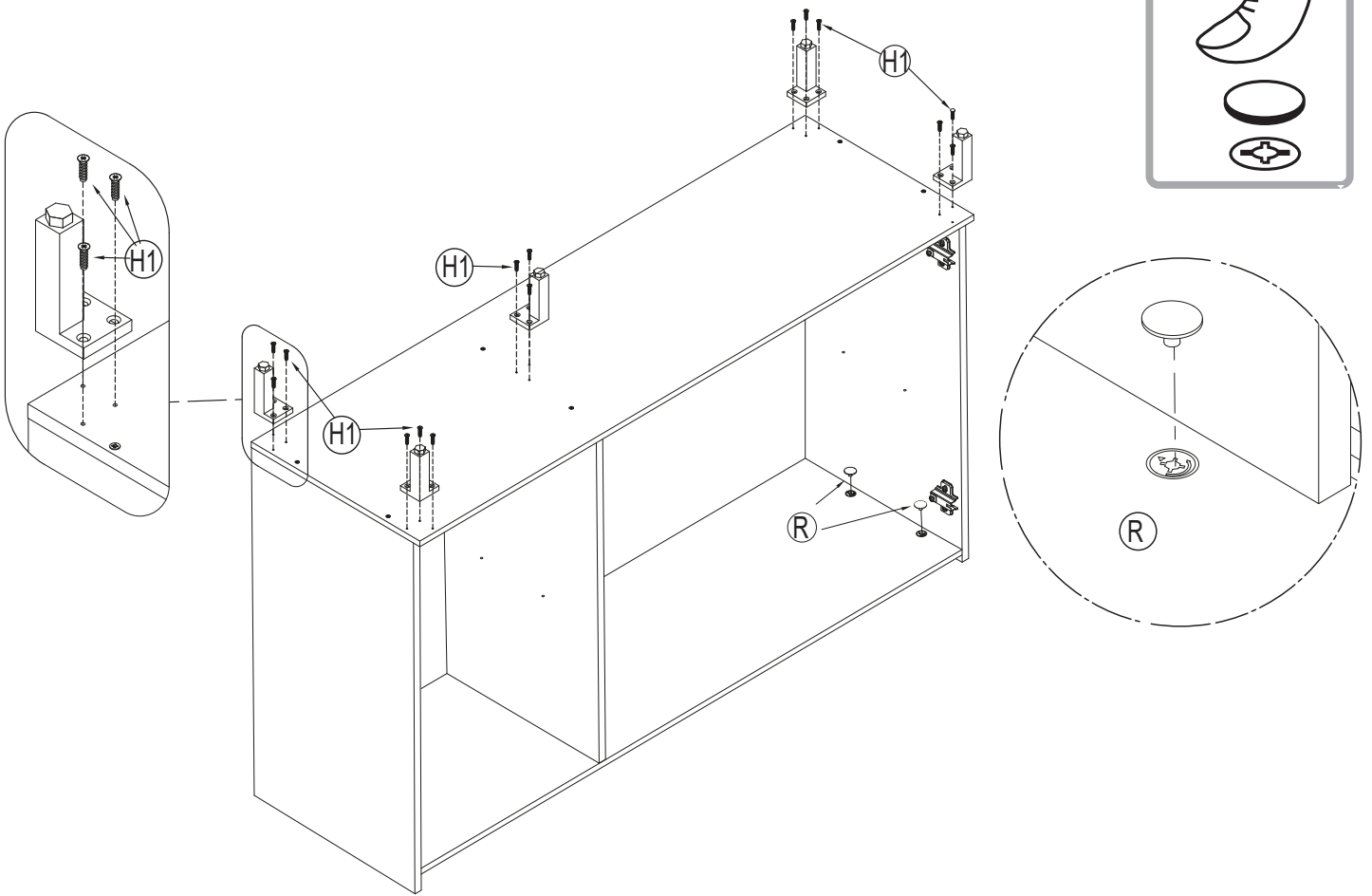


4

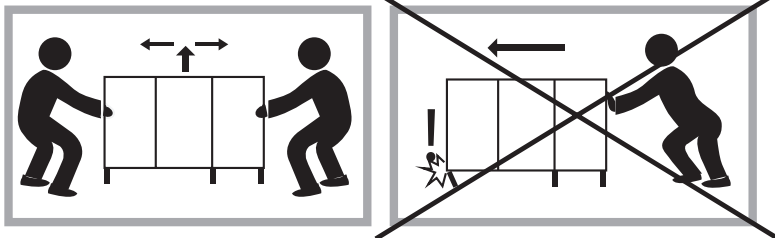


5

 H1 x15 Ø4x20mm	 Q x5 S T	 R x2 Ø16mm
---	--	---




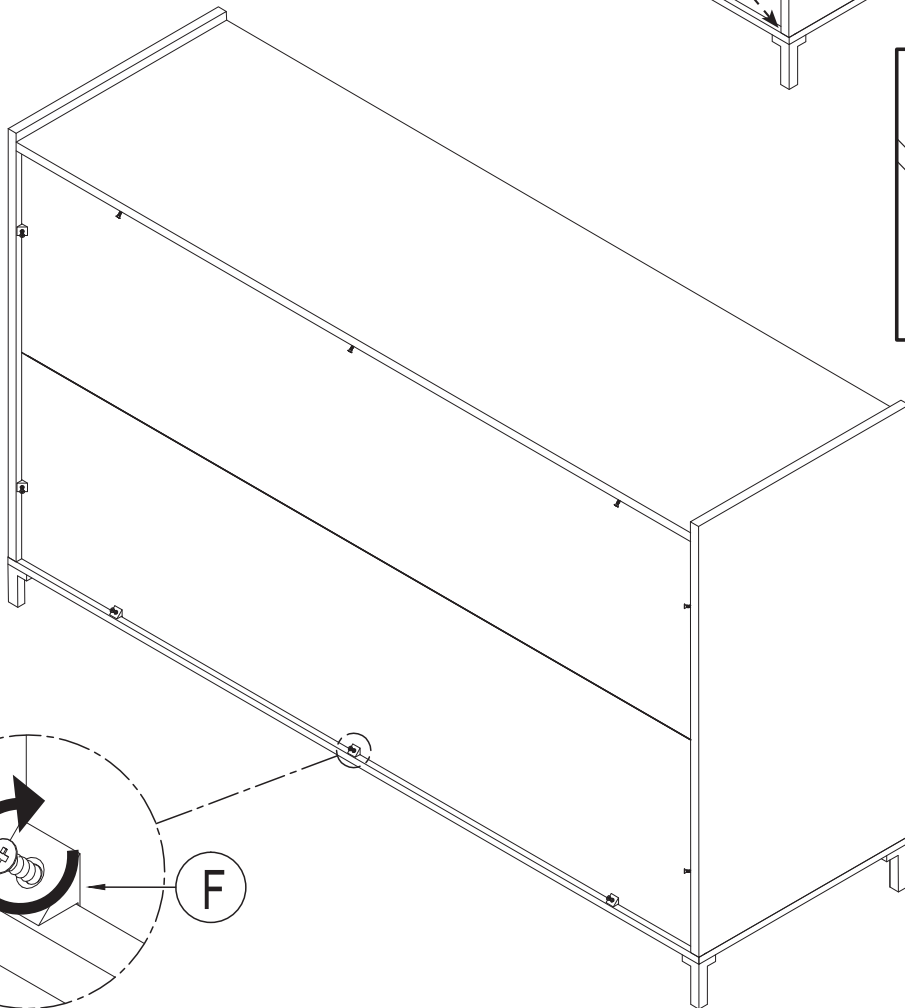
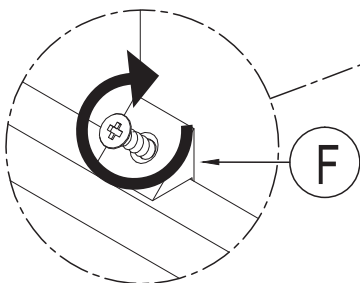
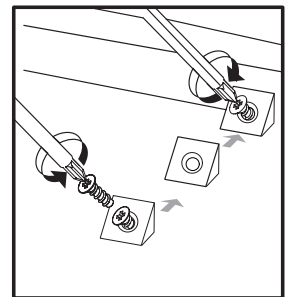
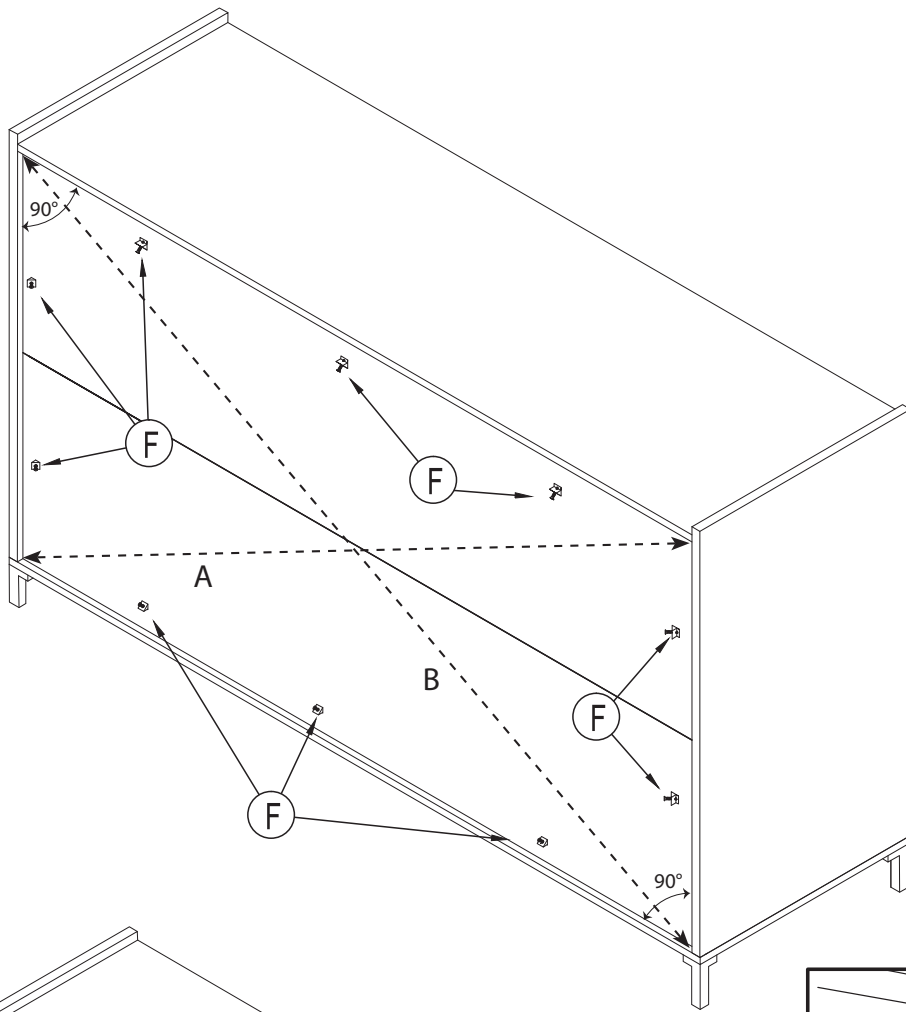
180° 





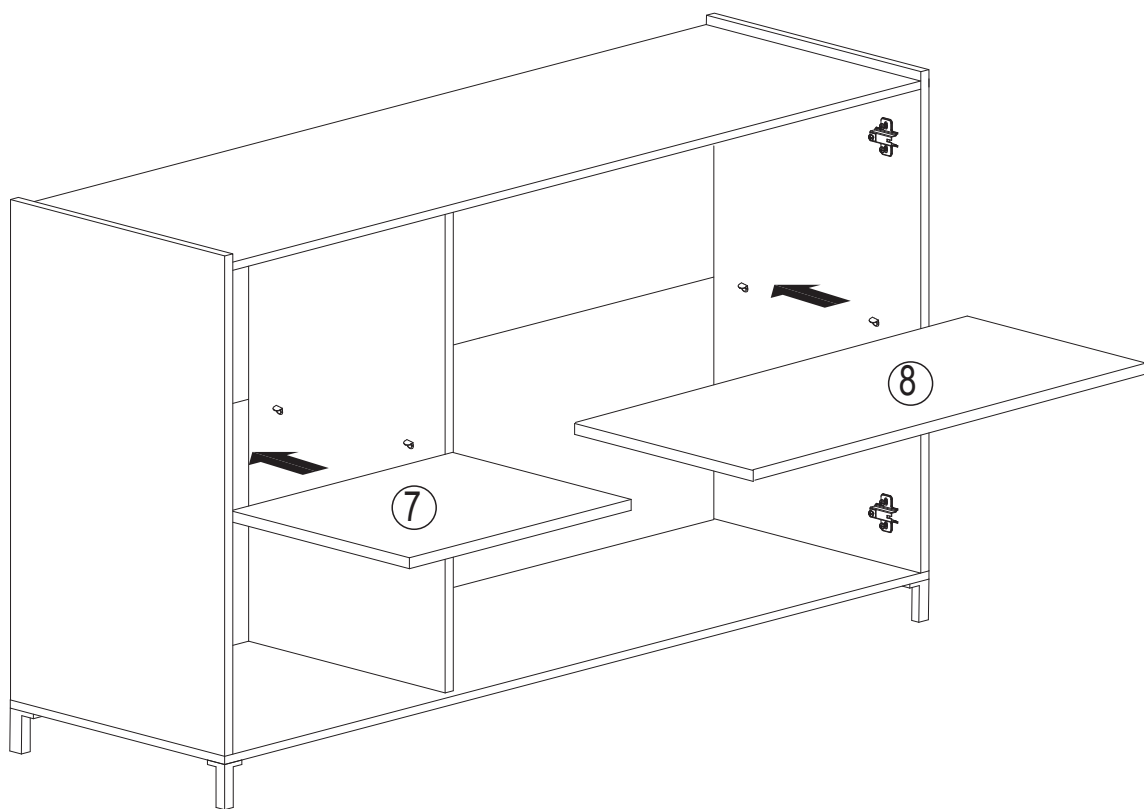
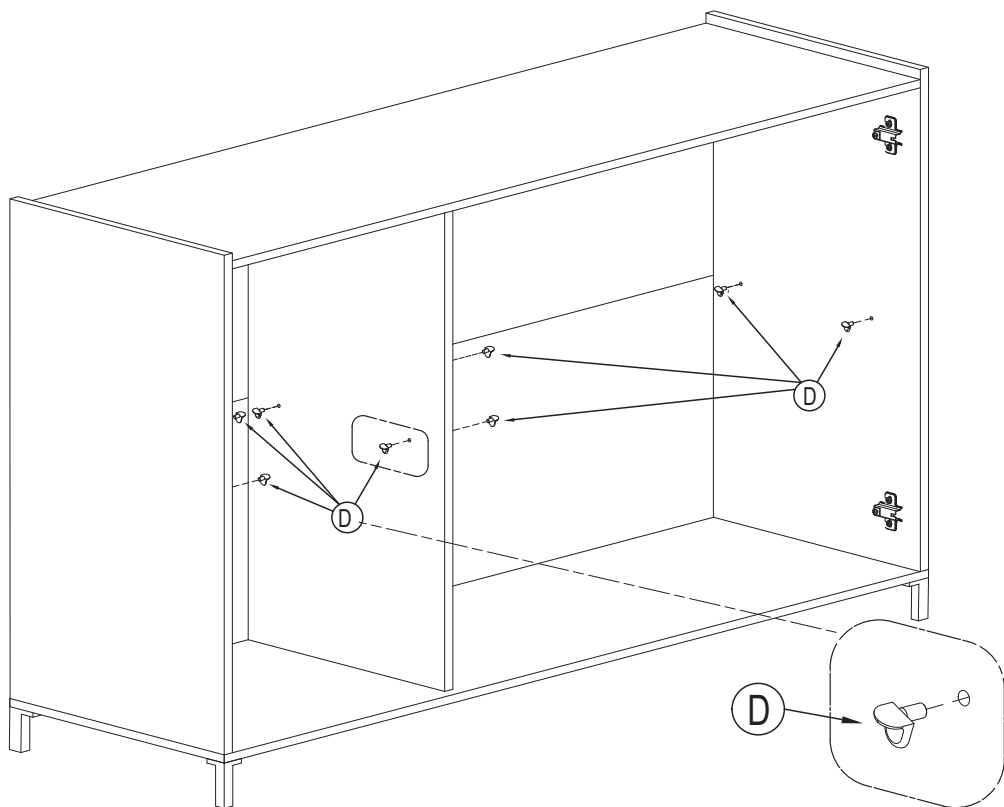
6

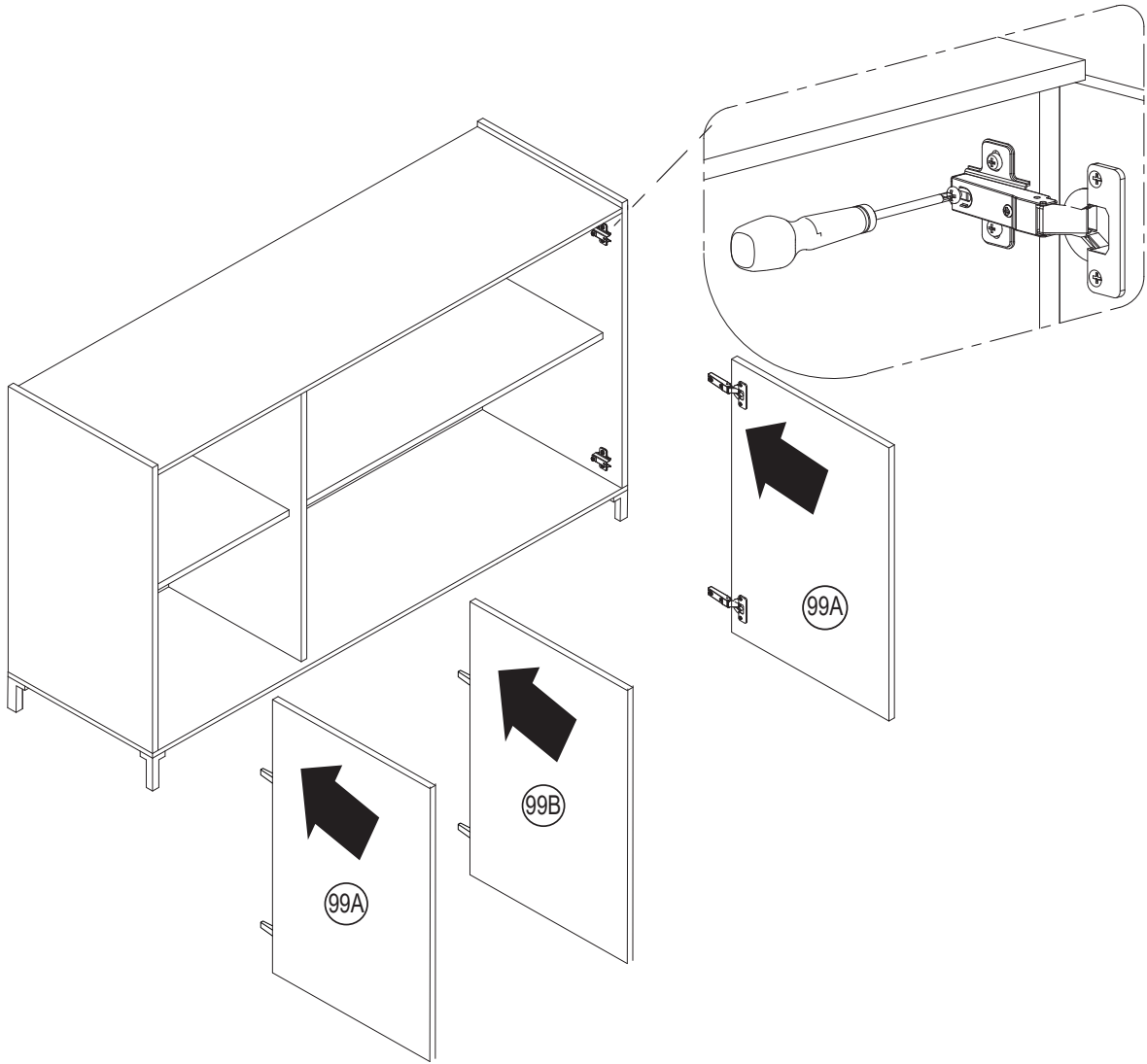
(F) x10  




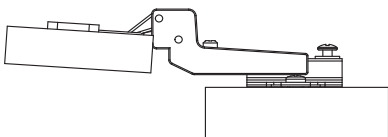
7

D x8

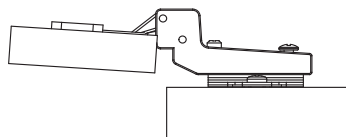




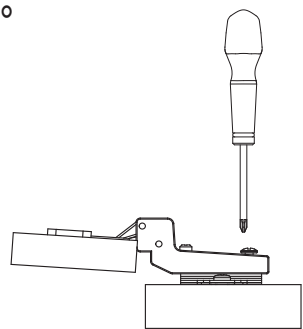
1°



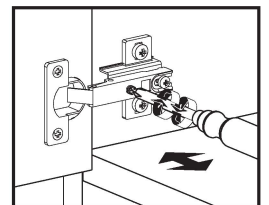
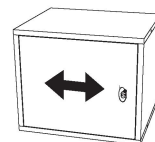
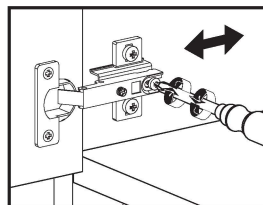
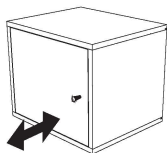
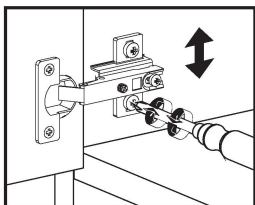
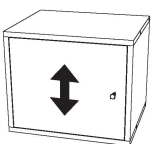
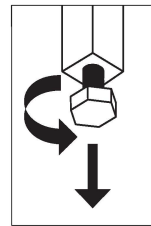
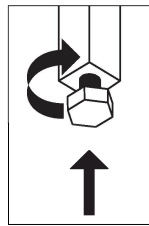
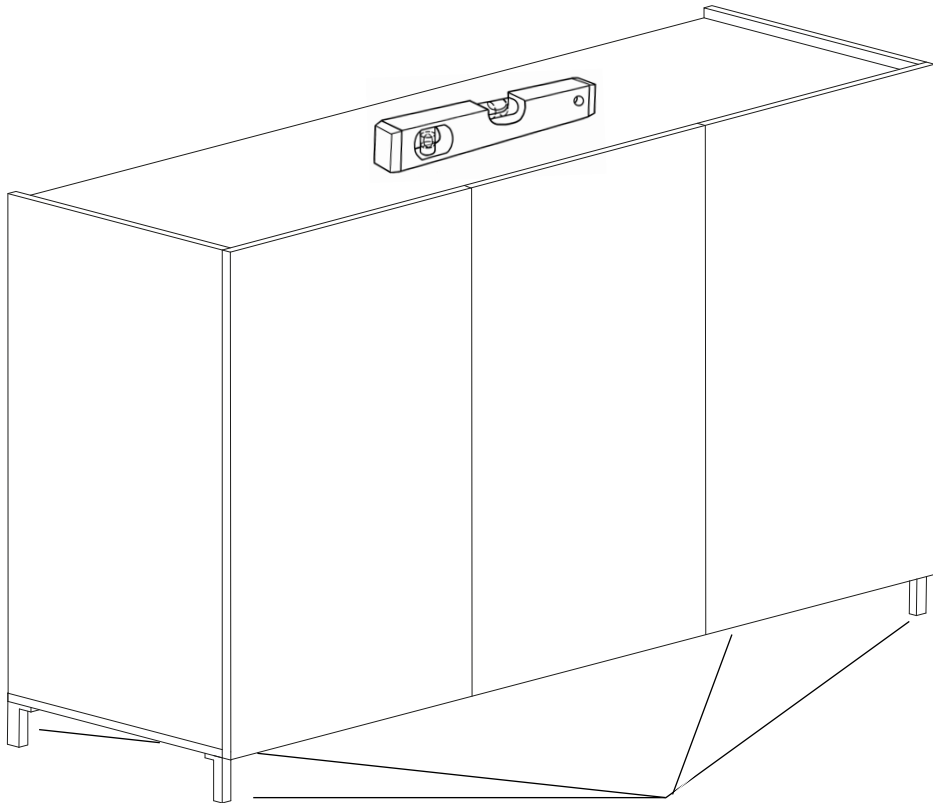
2°



3°



9



10



x2

