

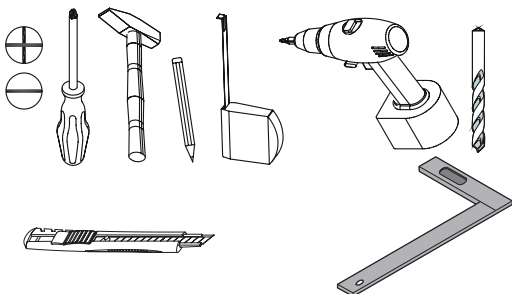
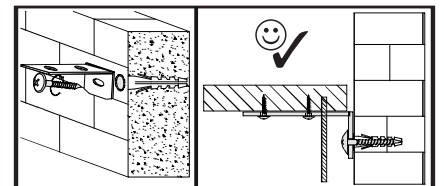
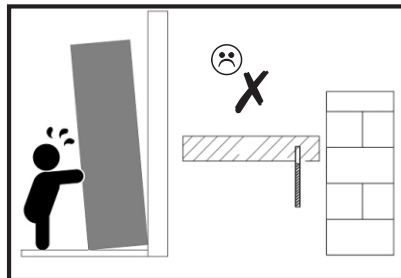
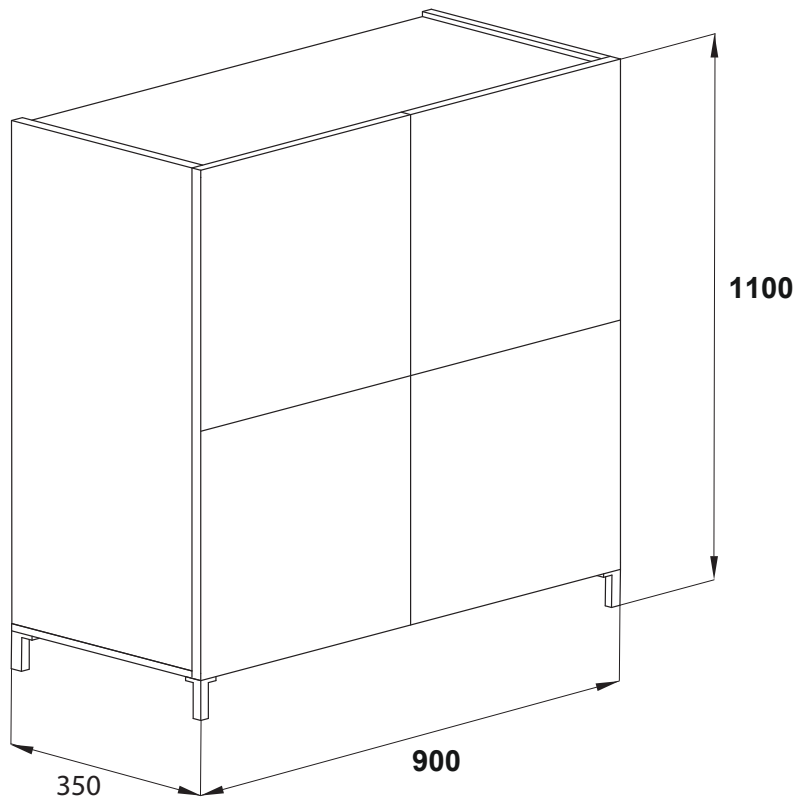
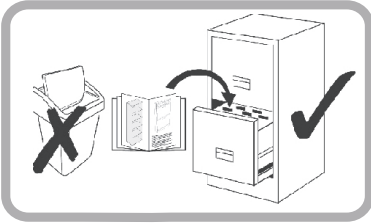
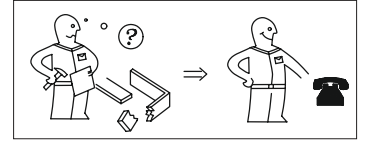
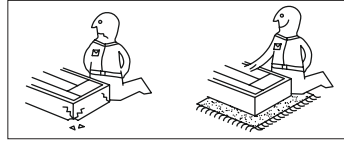
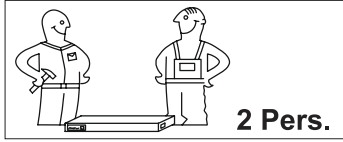
Modello:

Mike/Eddy



Elemento:

4383



Modello:

Mike/Eddy



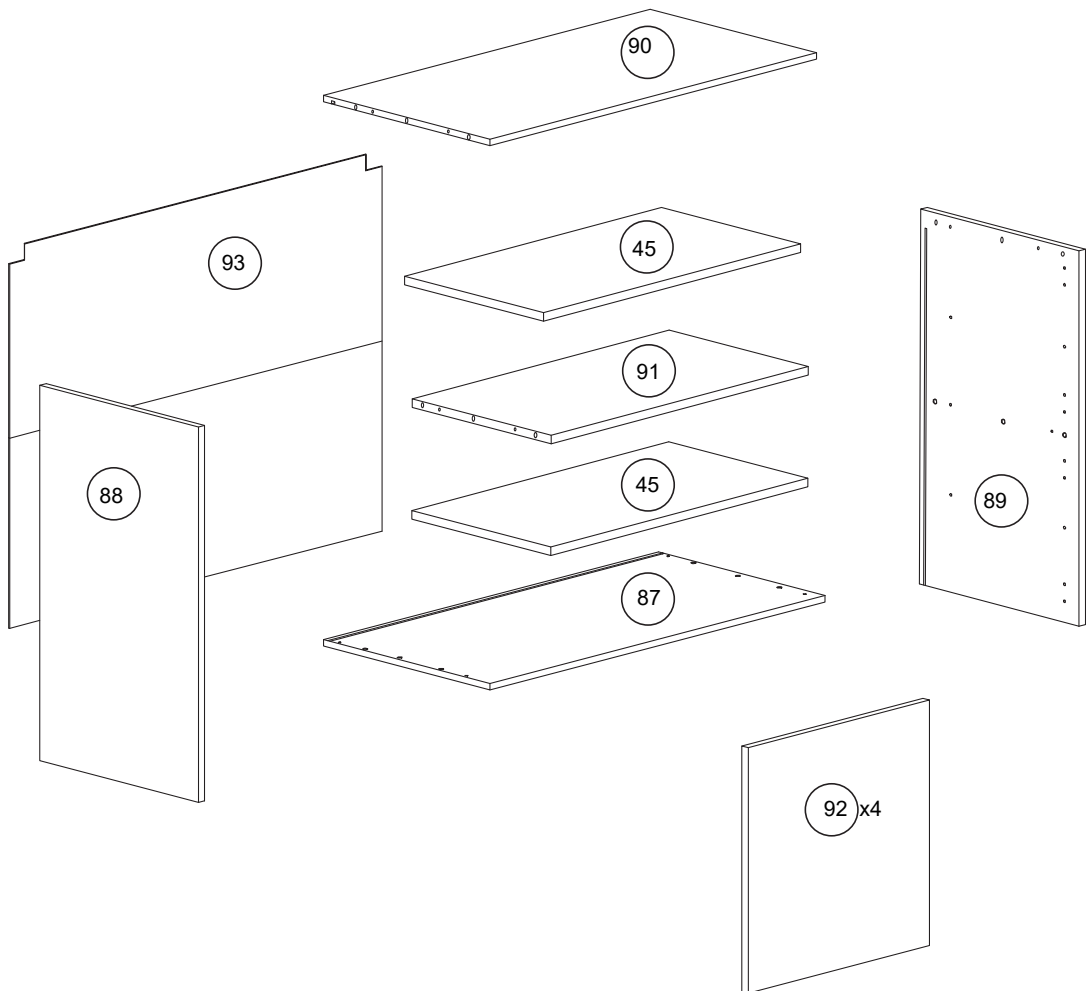
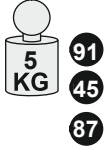
Elemento:

4383

max.



max.



Colli 1/2
87-45-88-89-90-91

Colli 2/2
92-93


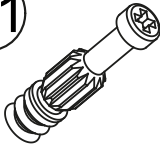


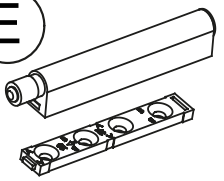
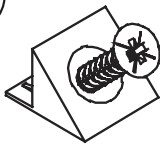


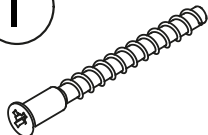
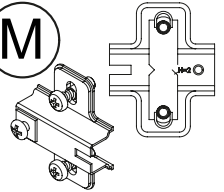
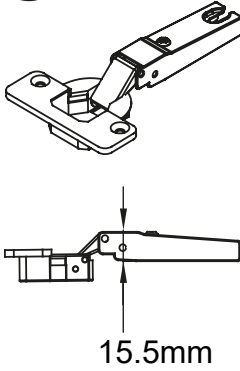
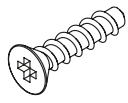
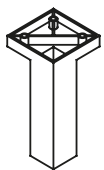

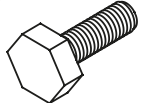
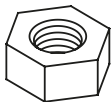
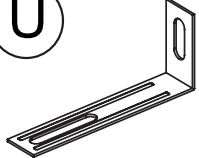

Modello:

Mike/Eddy

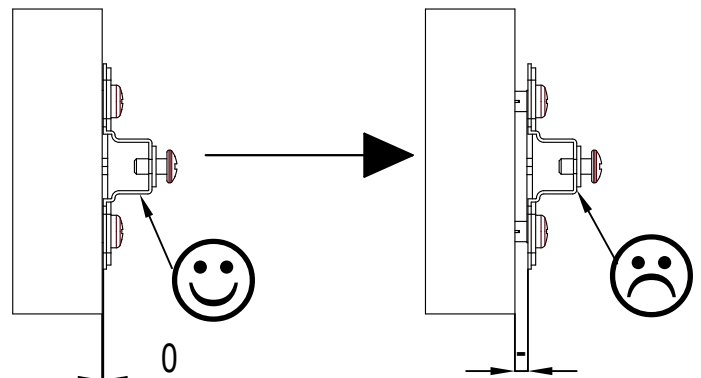
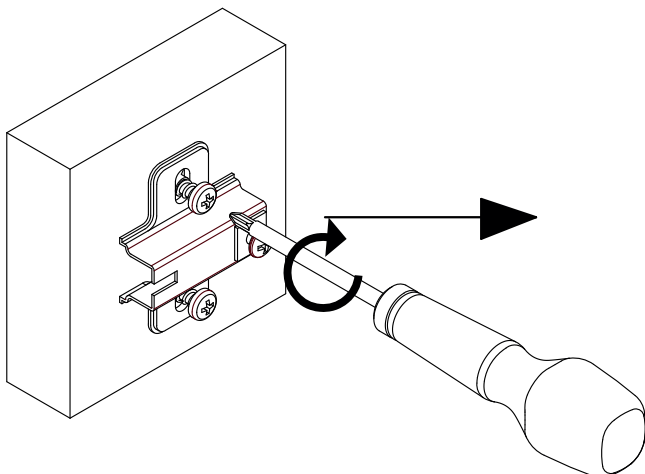
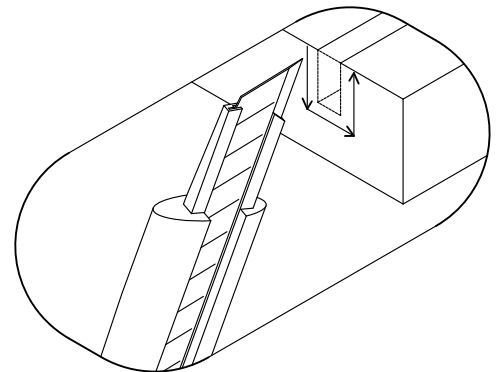
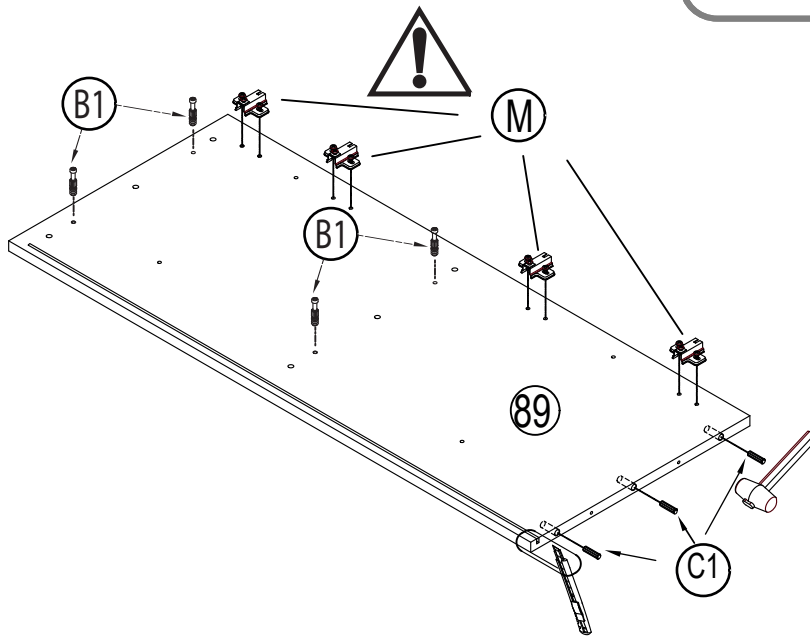
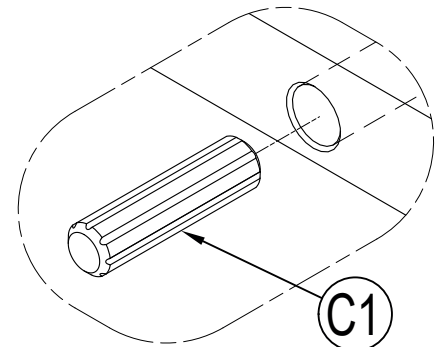
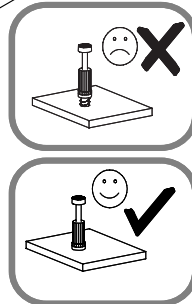
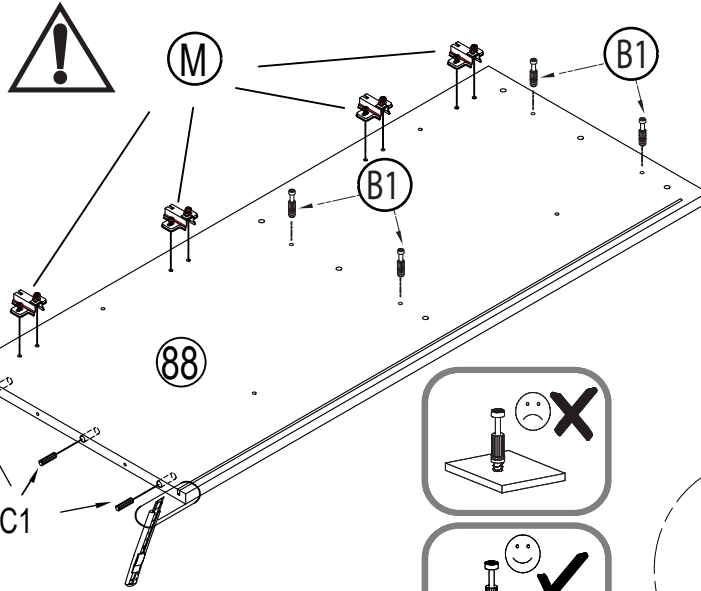
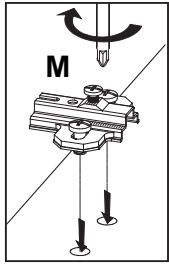
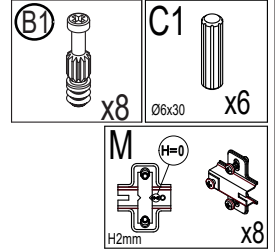
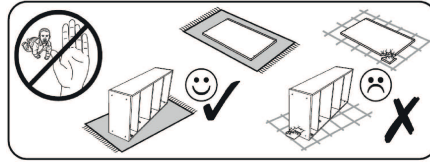


Elemento:

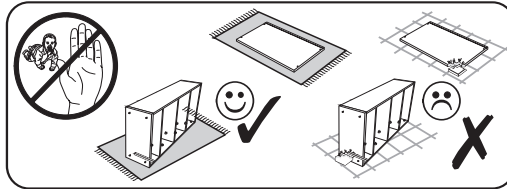
4383

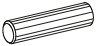
A 	B1 	C1 	D 	E 
Ø15X10mm x8	x8	Ø6X30mm x18	x8	x2
F 	G 	H1 	I 	M 
x12	Ø3,5X12mm x8	Ø4X20mm x12	Ø5X50mm x4	x8
N 	P 	Q 	R 	S 
x8	Ø3,5X15mm x16	x4	Ø16mm x4	x4
T 	U 	V 		
x4	x2	Ø4x12mm x2		

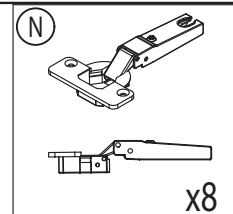
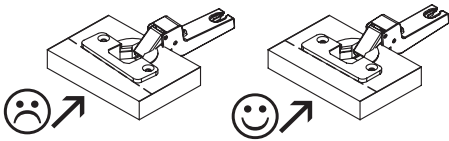
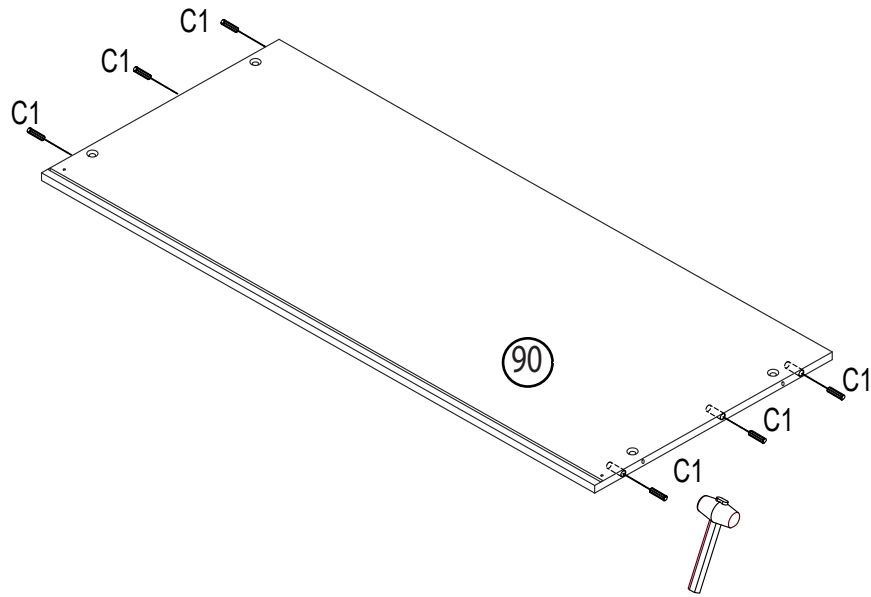
1



2

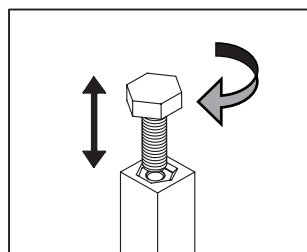
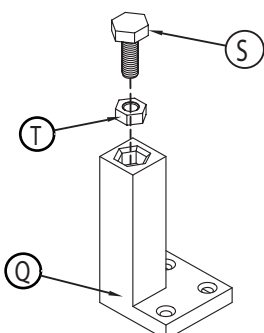
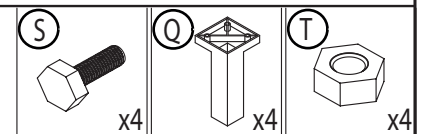
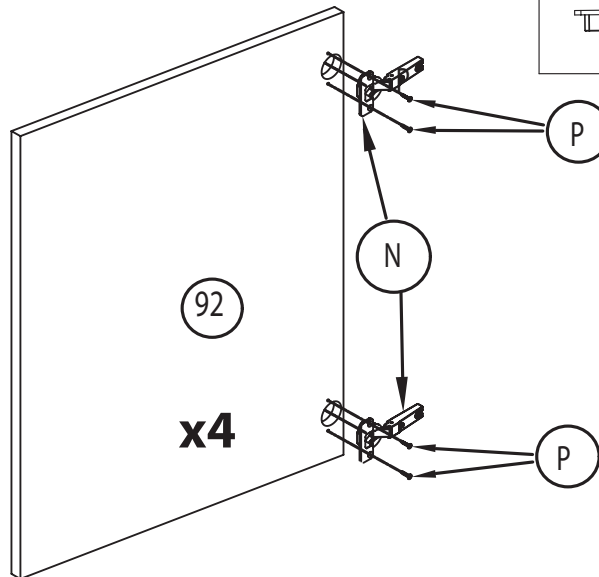


C1 x6




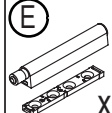


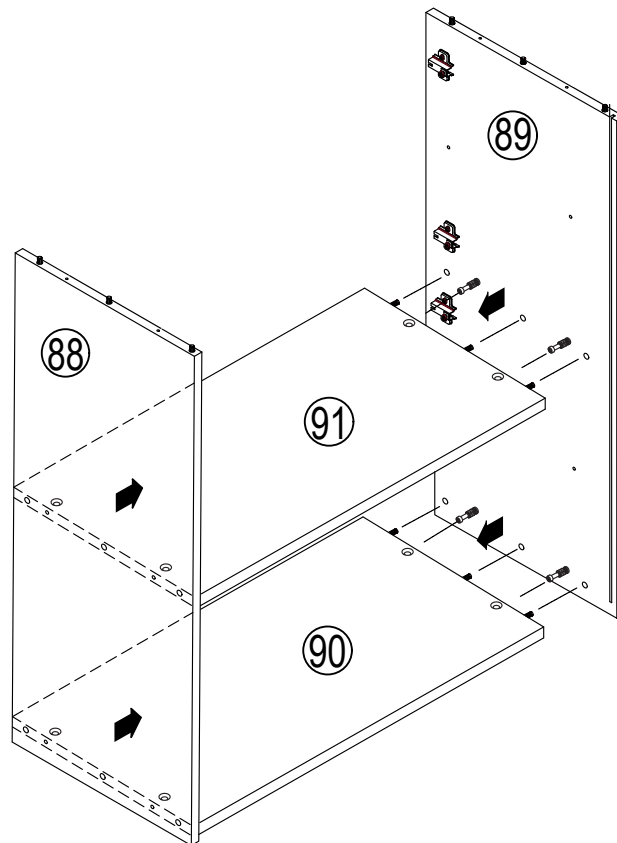
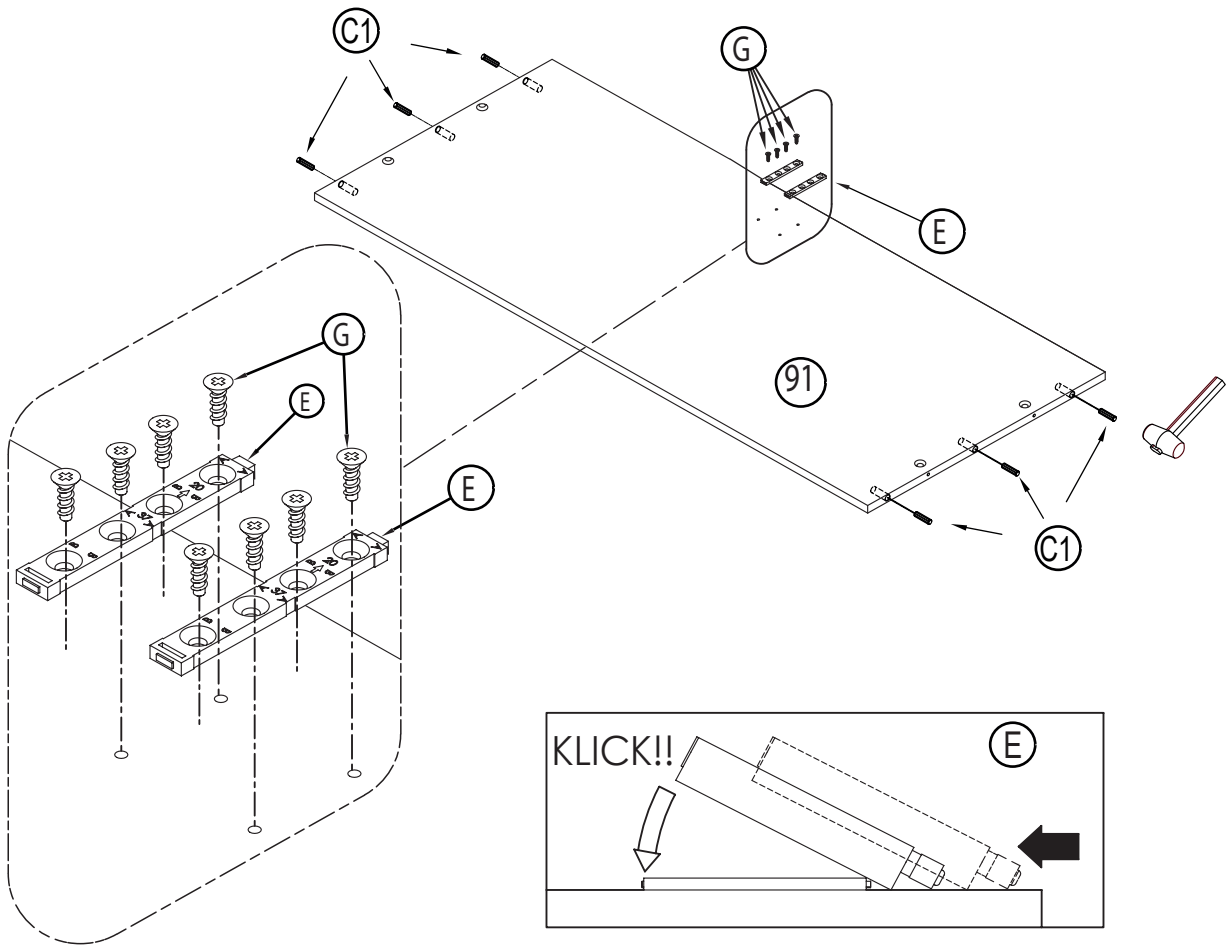
P x16

Ø3.5x15



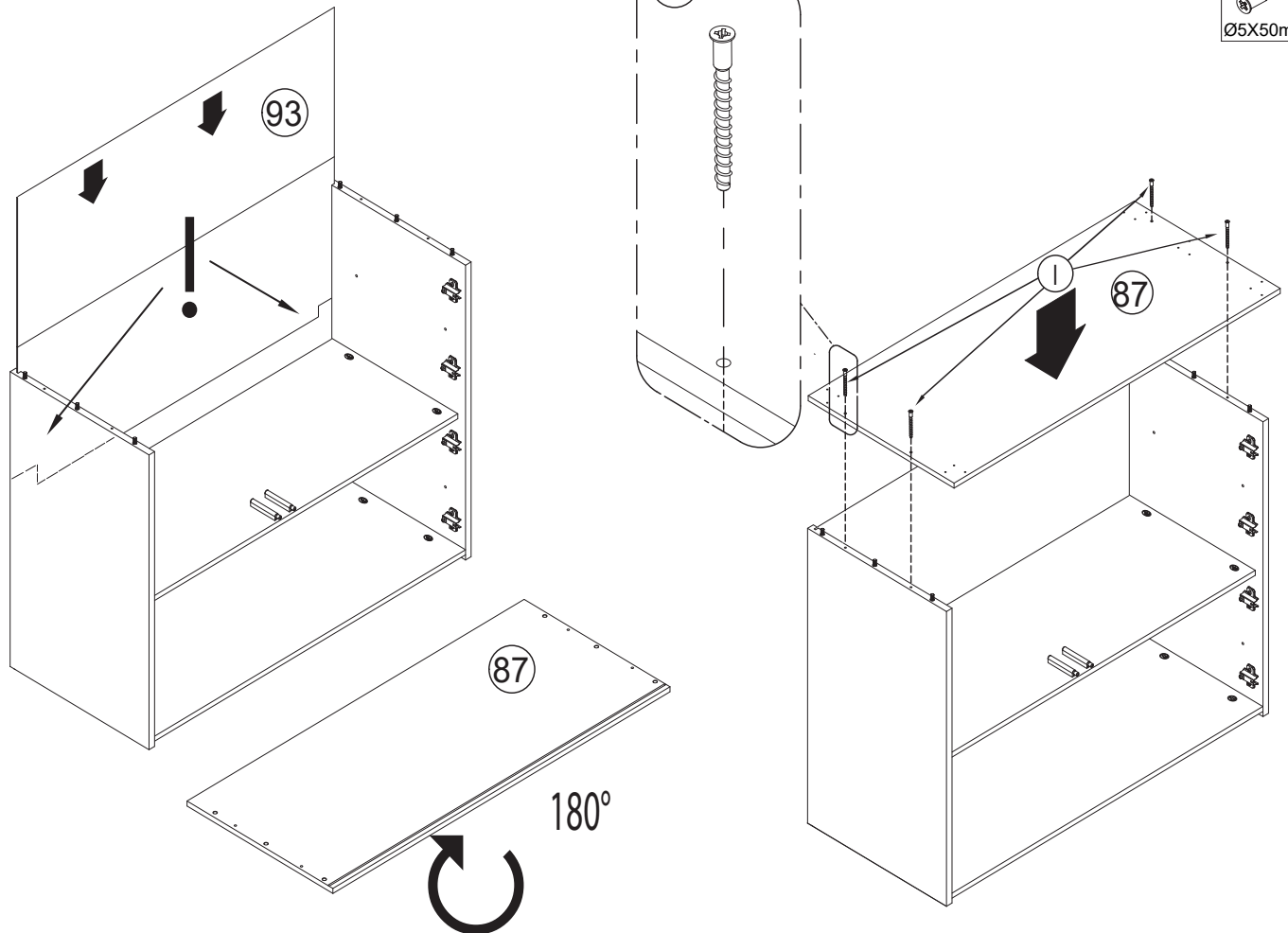
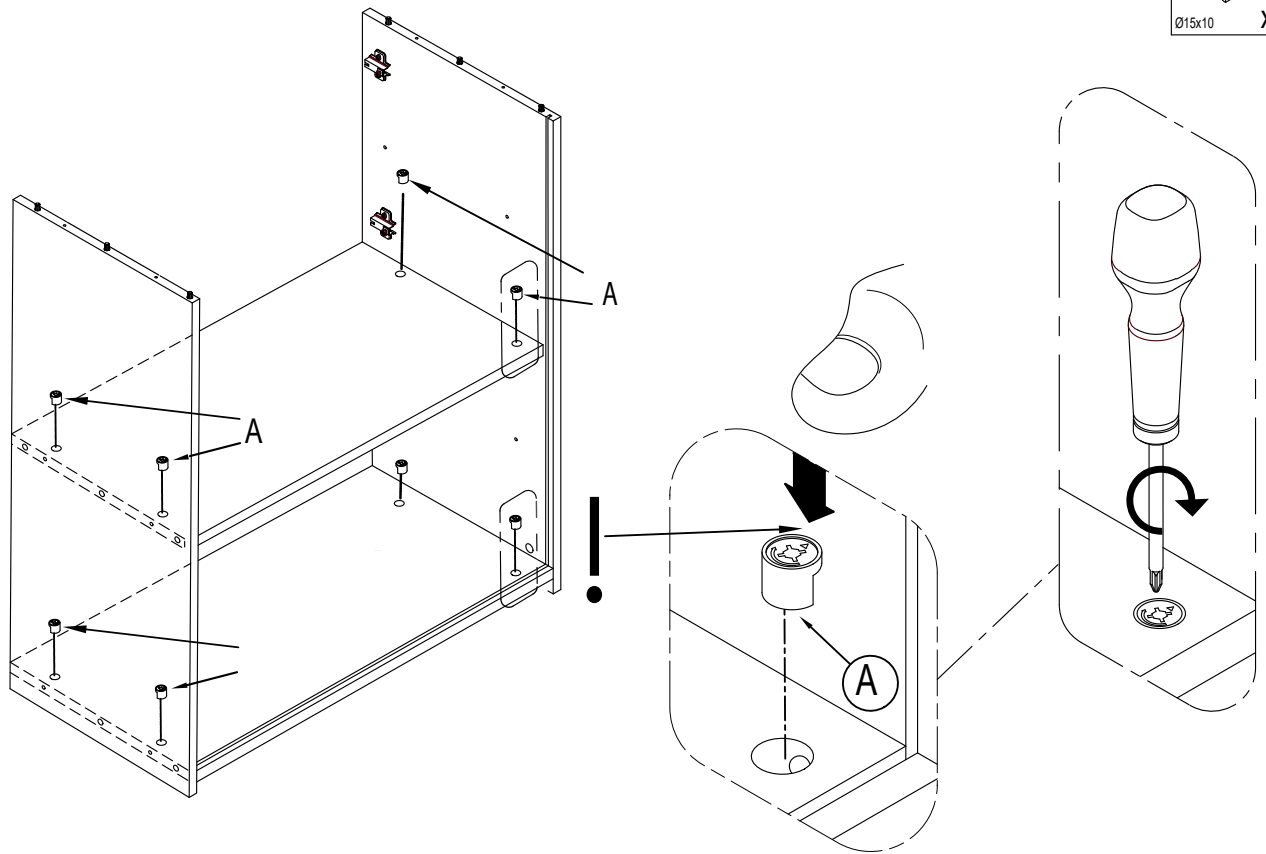
3

C1		G		E	
	Ø6x30	x6	Ø3,5x12mm	x8	x2



4

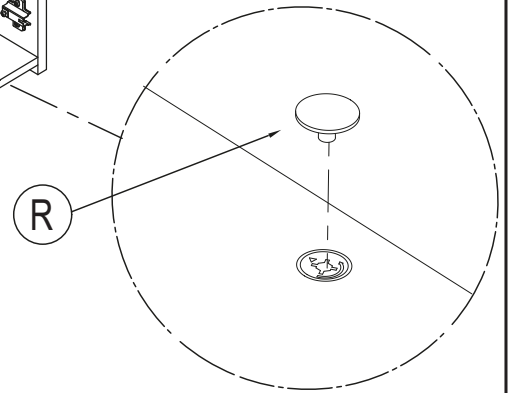
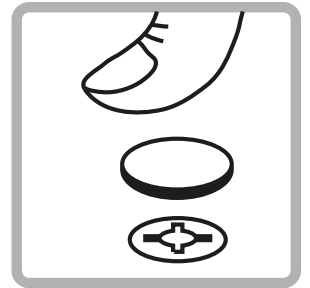
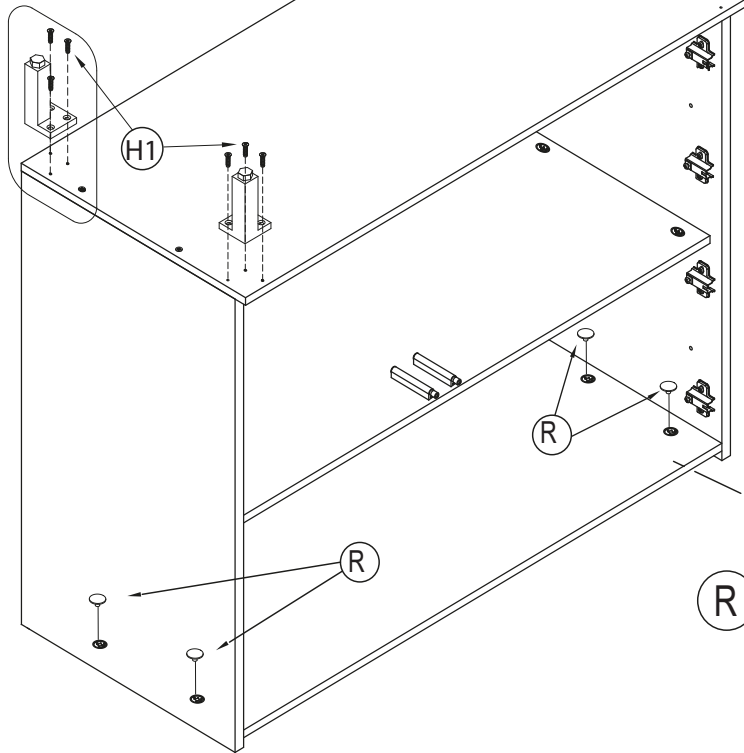
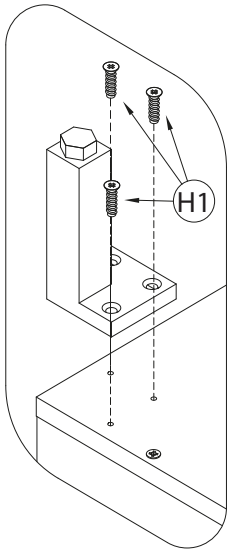
A
Ø15x10 x8



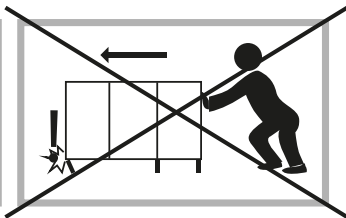
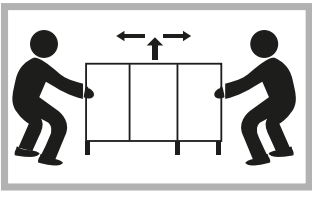
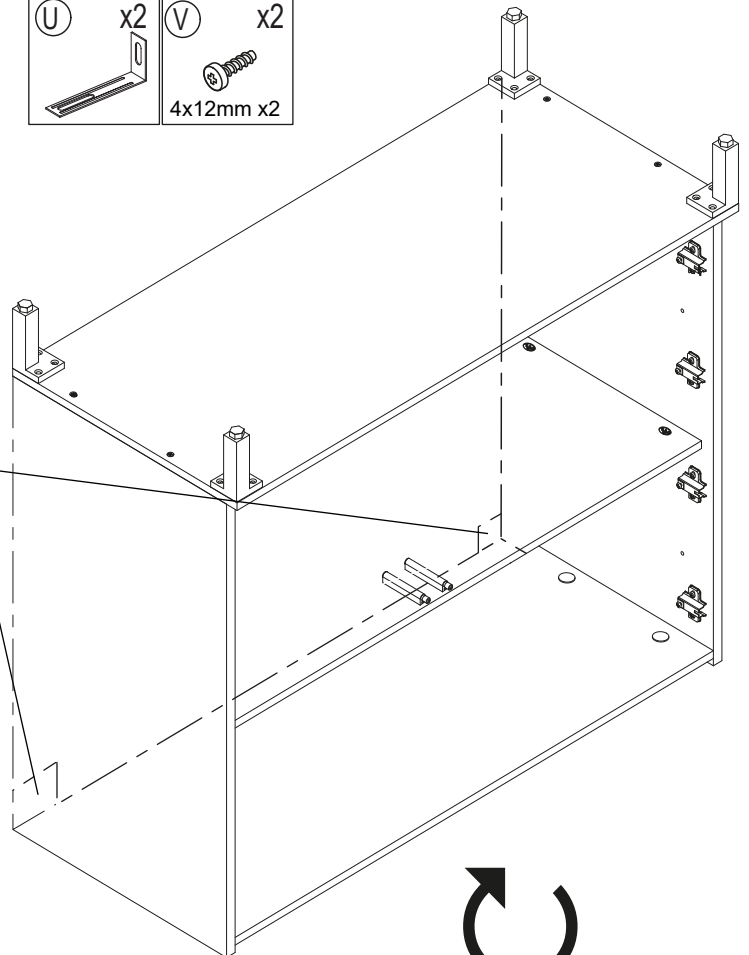
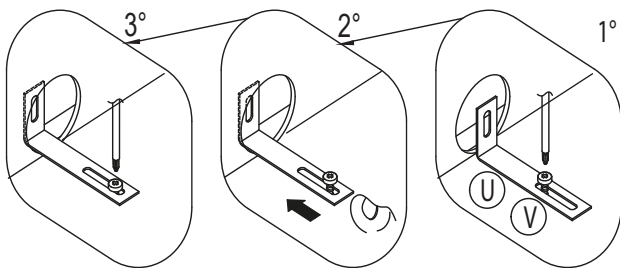
I
Ø5X50mm x4

5

- (H1) x12
Ø4x20mm
- (Q) x4
- (S)
- (T)
- (R) x4
Ø16mm



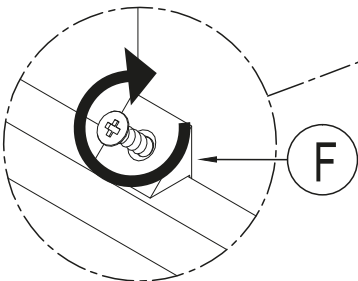
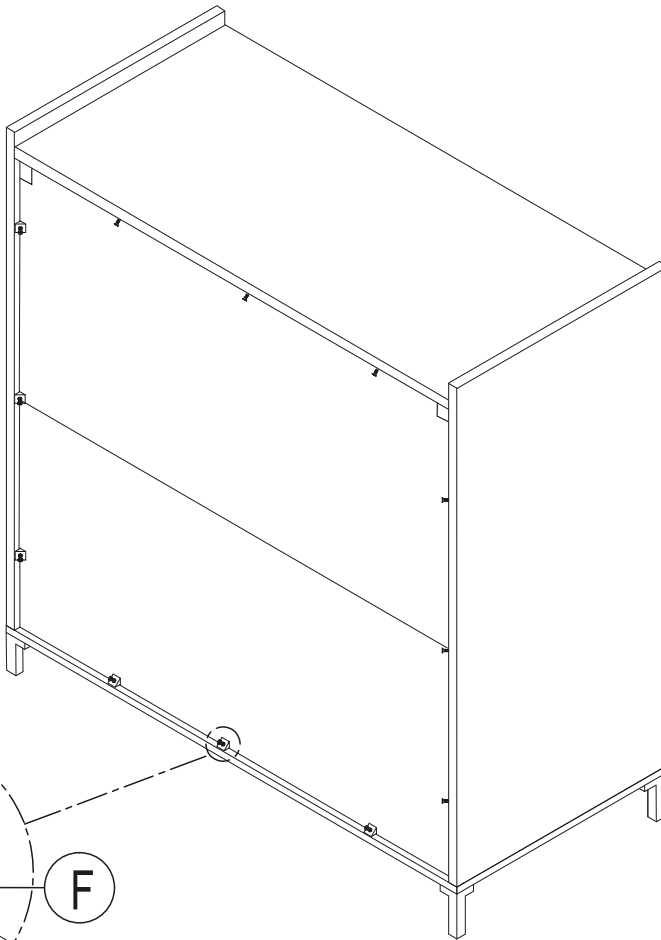
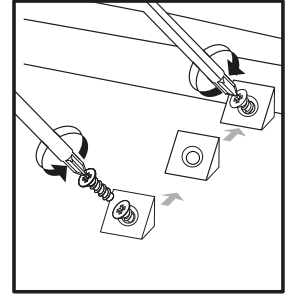
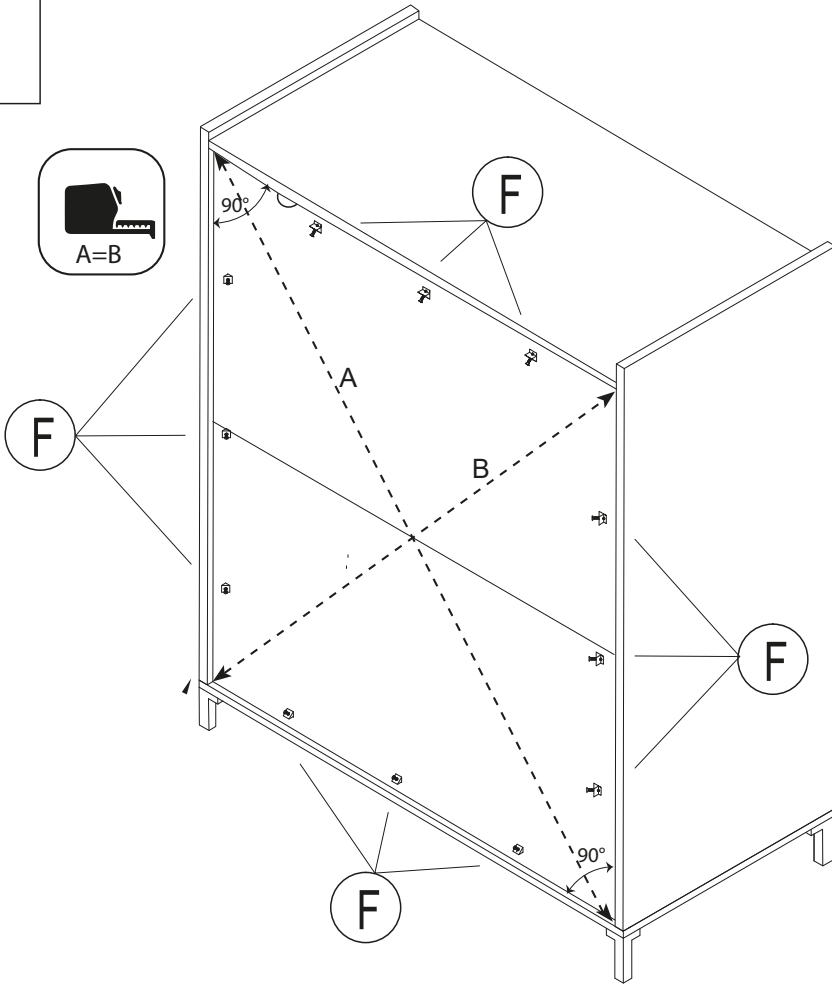
- (U) x2
- (V) x2
4x12mm x2




180°

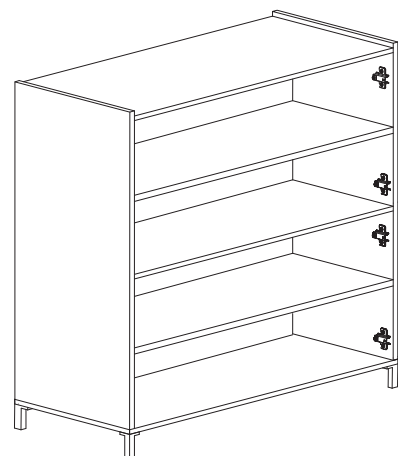
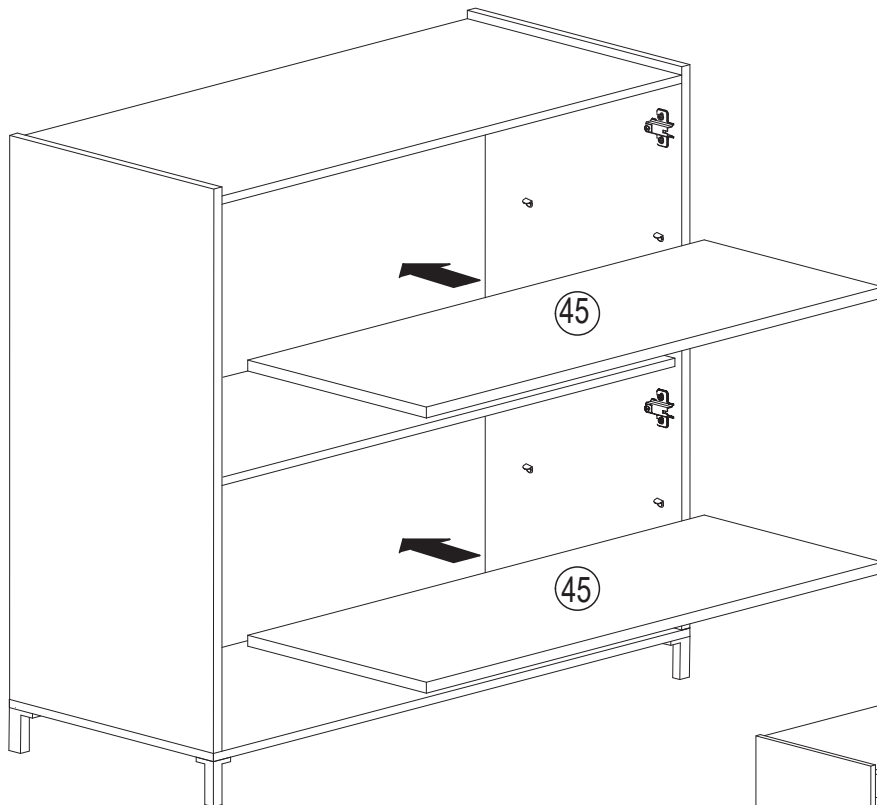
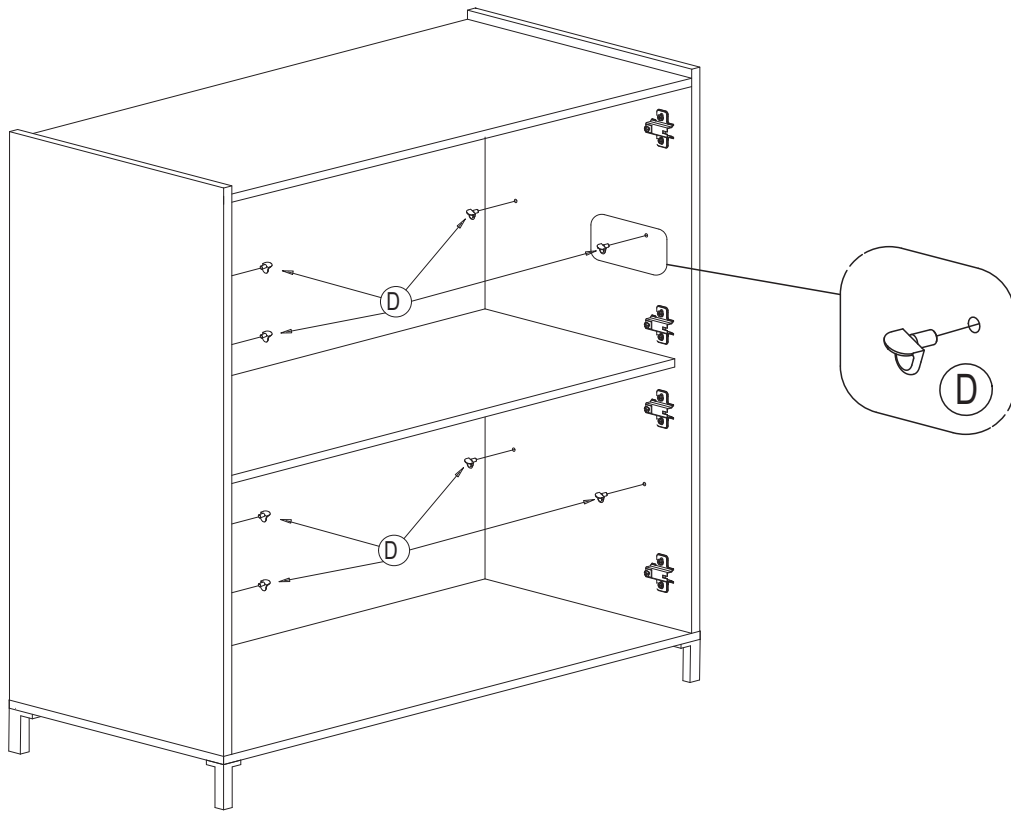
6

(F)
x12

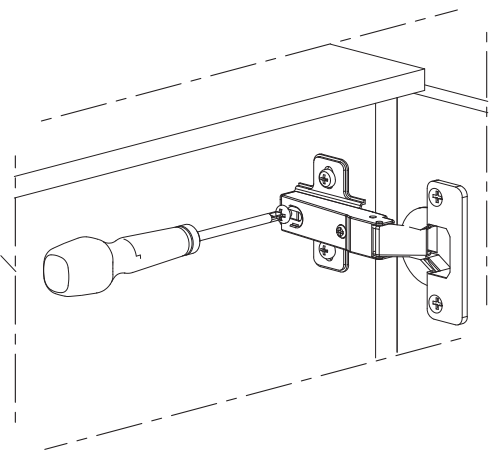
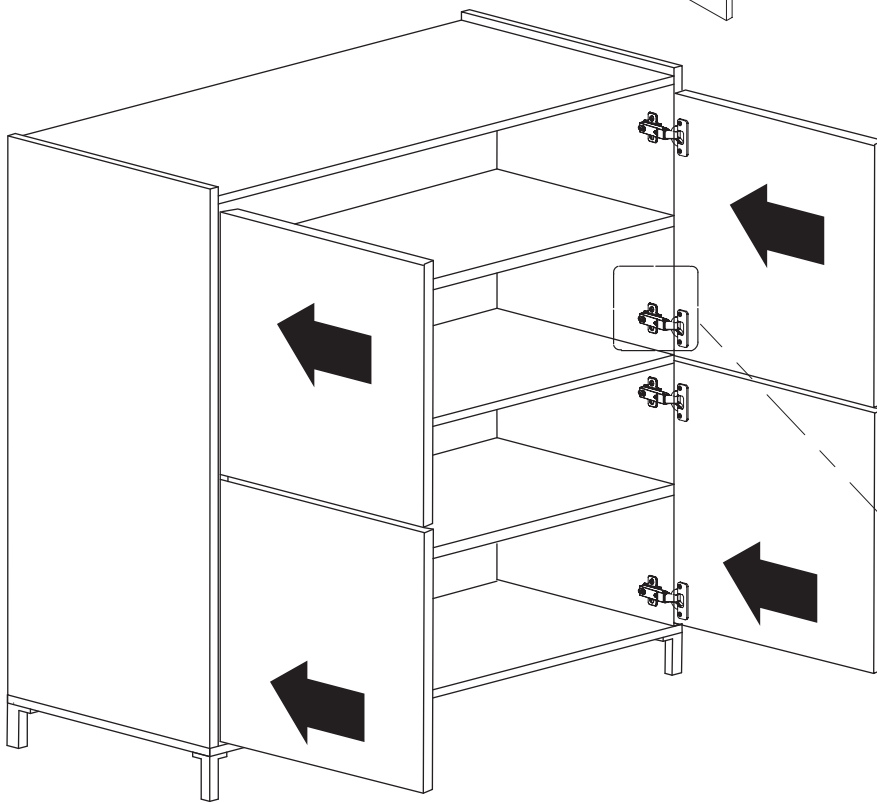
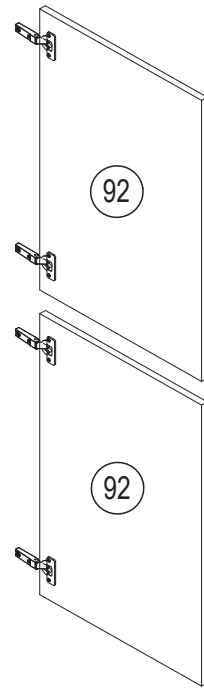
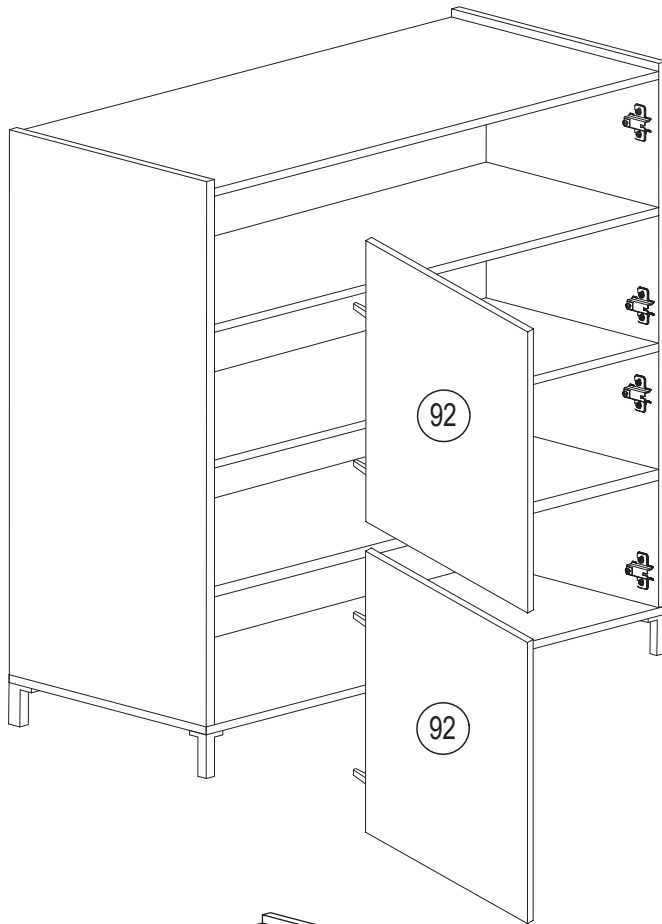


7

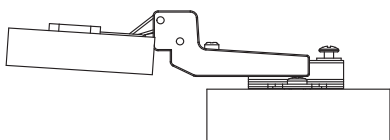
(D) x8




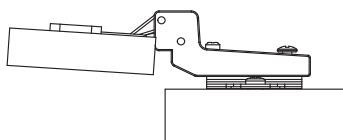
8



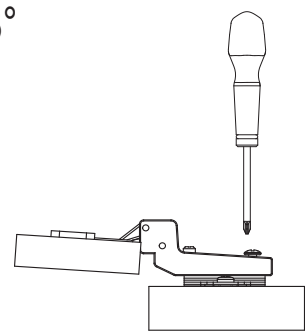
1°



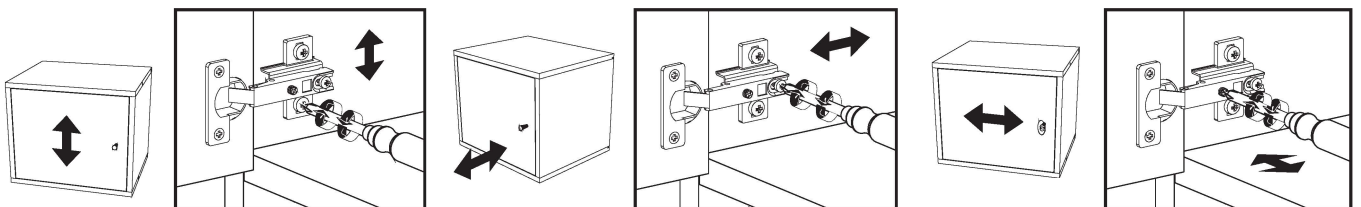
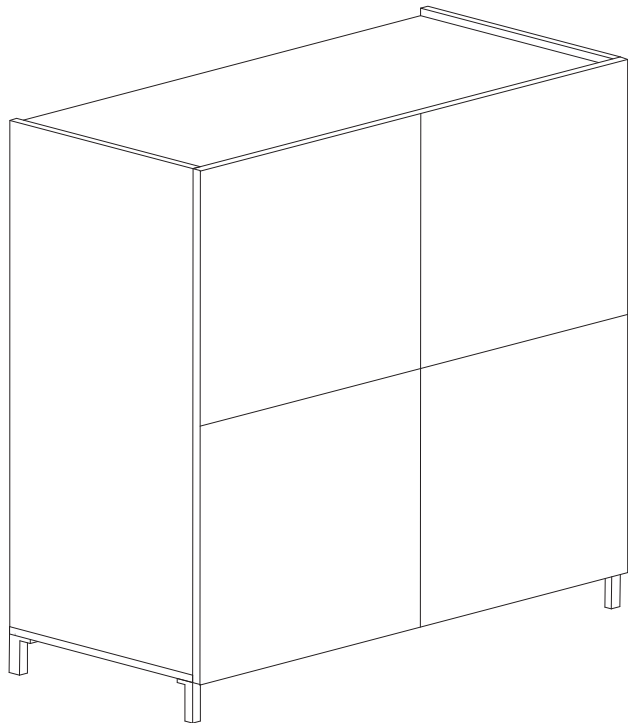
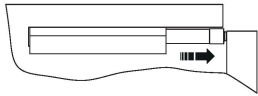
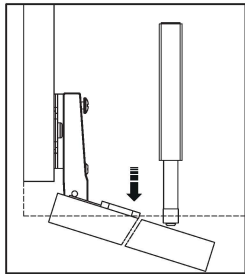
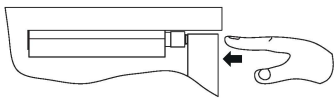
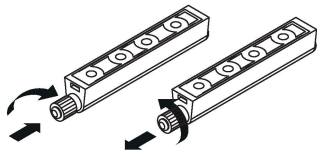
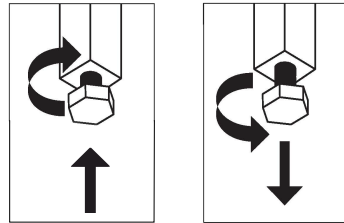
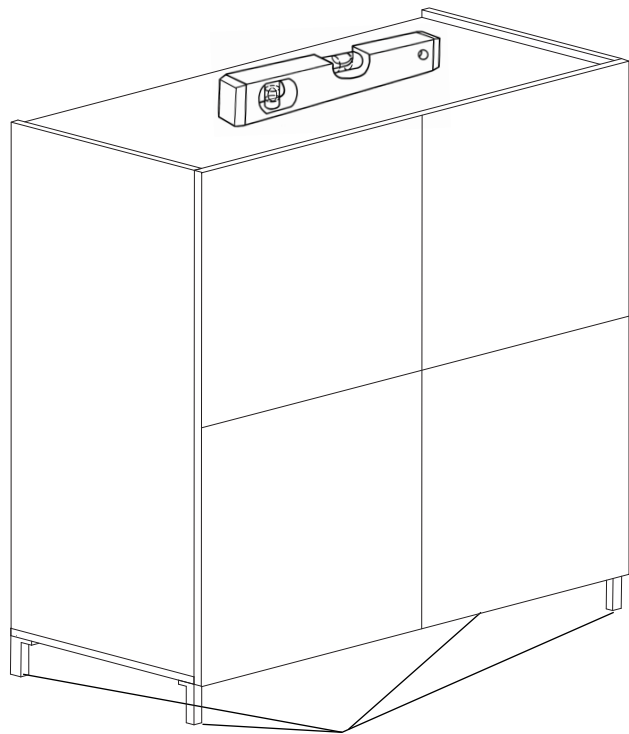
2°



3°



9



10



x2

