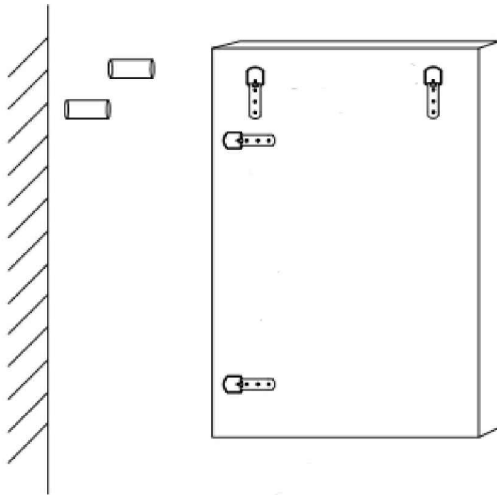


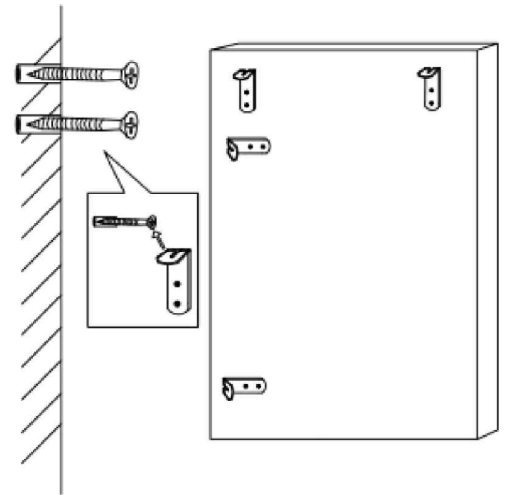
1

Drill two holes in the wall.



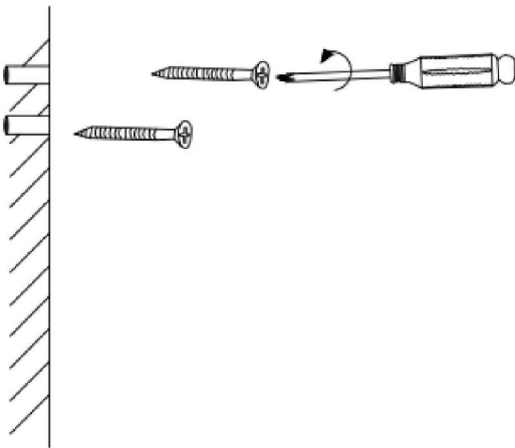
3

Turn the screws to the pins by a driver.



2

Install two pins on the holes.



4

Hang the wall mirror to the screws.

