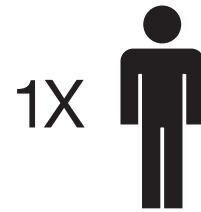
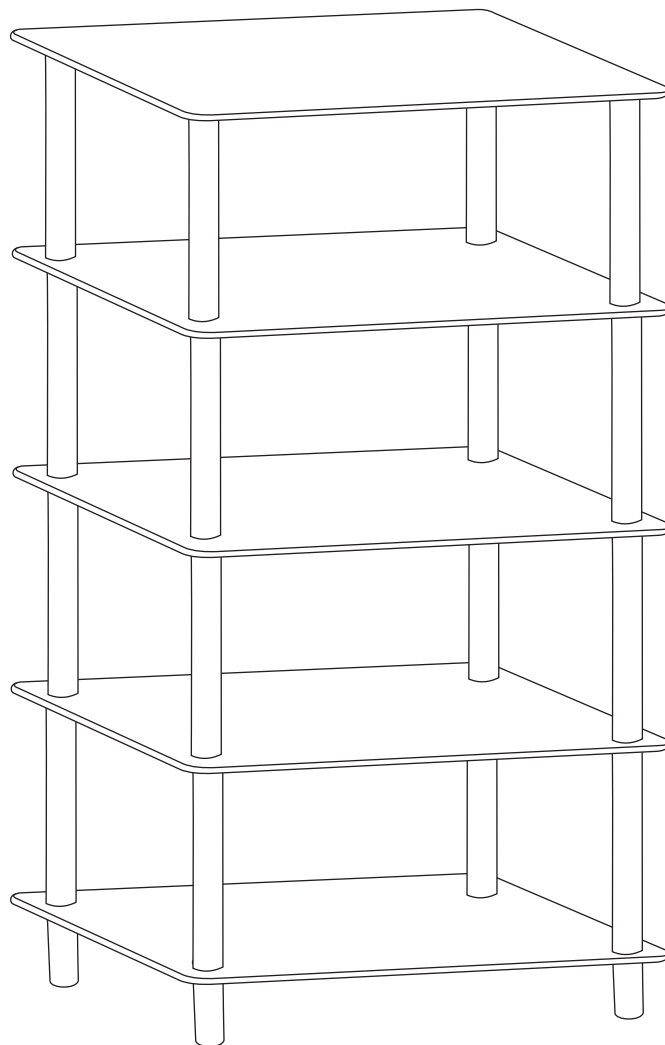
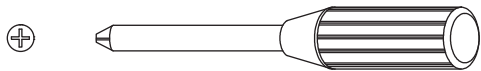


AXL

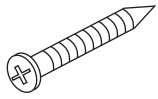
0.5hr



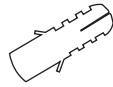
1M x 1M



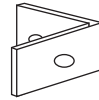
AXL



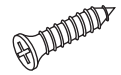
2 x A



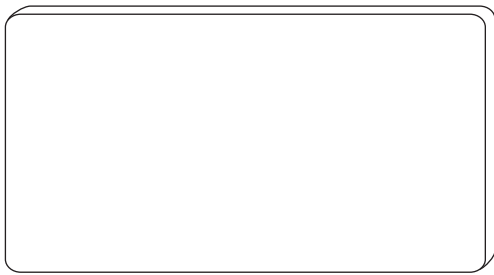
2 x B



2 x C

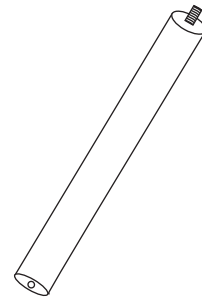


2 x D



1

1 PC



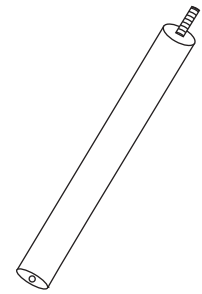
2

4 PCS



3

4 PCS



4

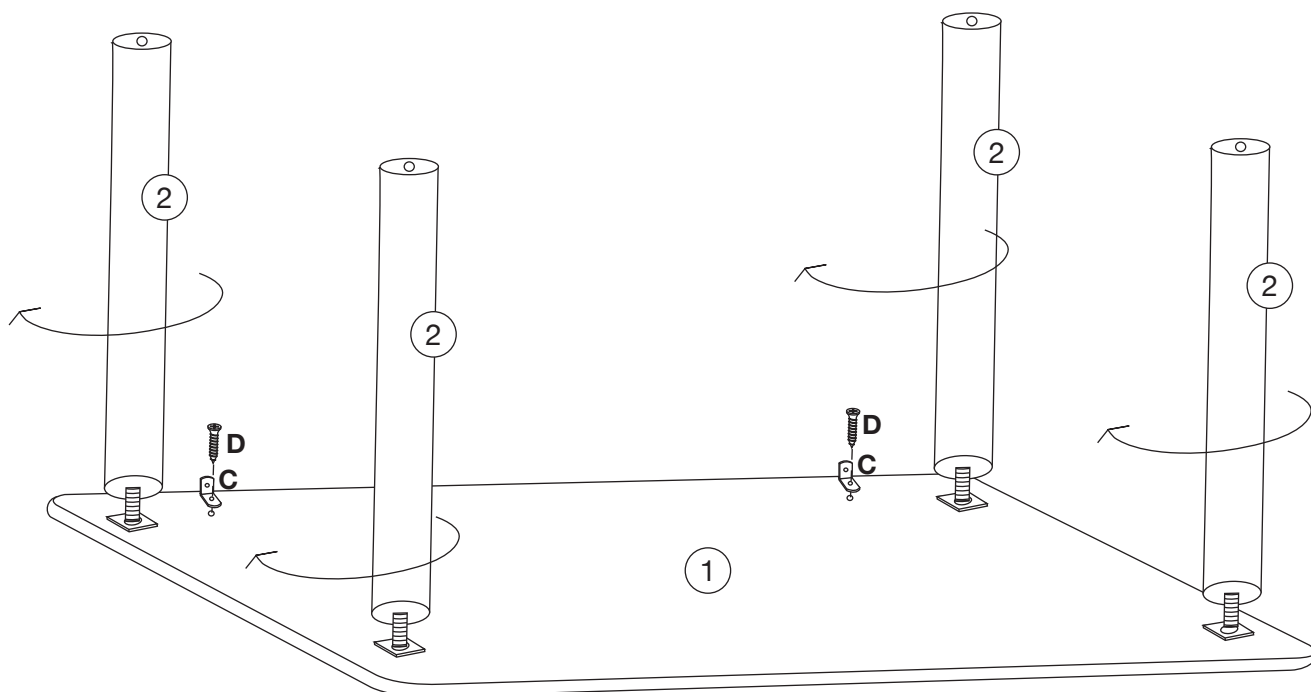
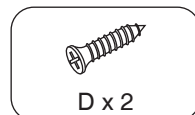
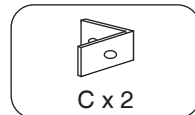
12 PCS



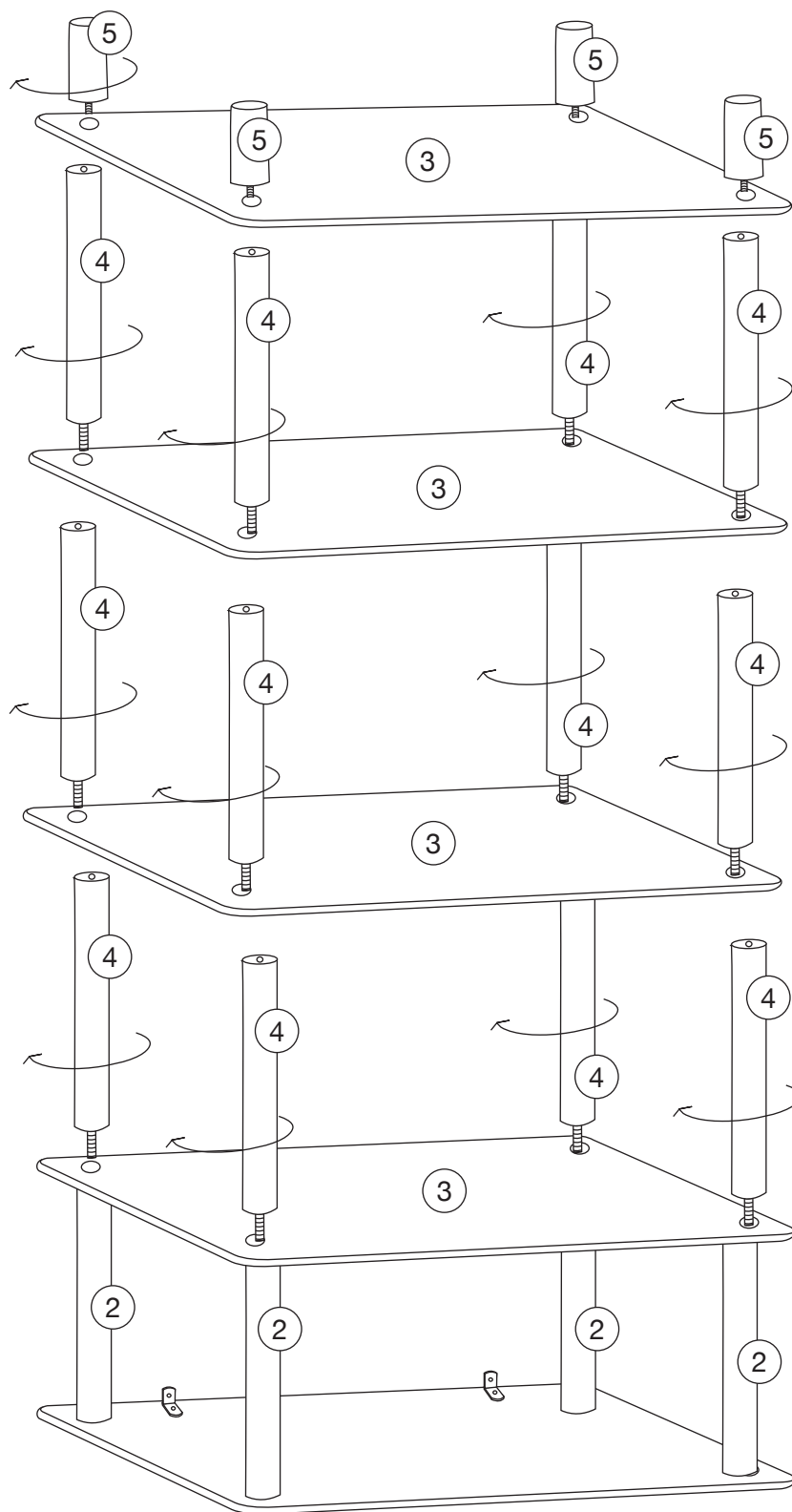
5

4 PCS

1

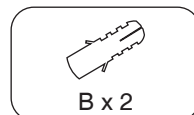
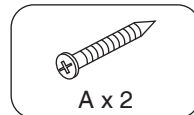
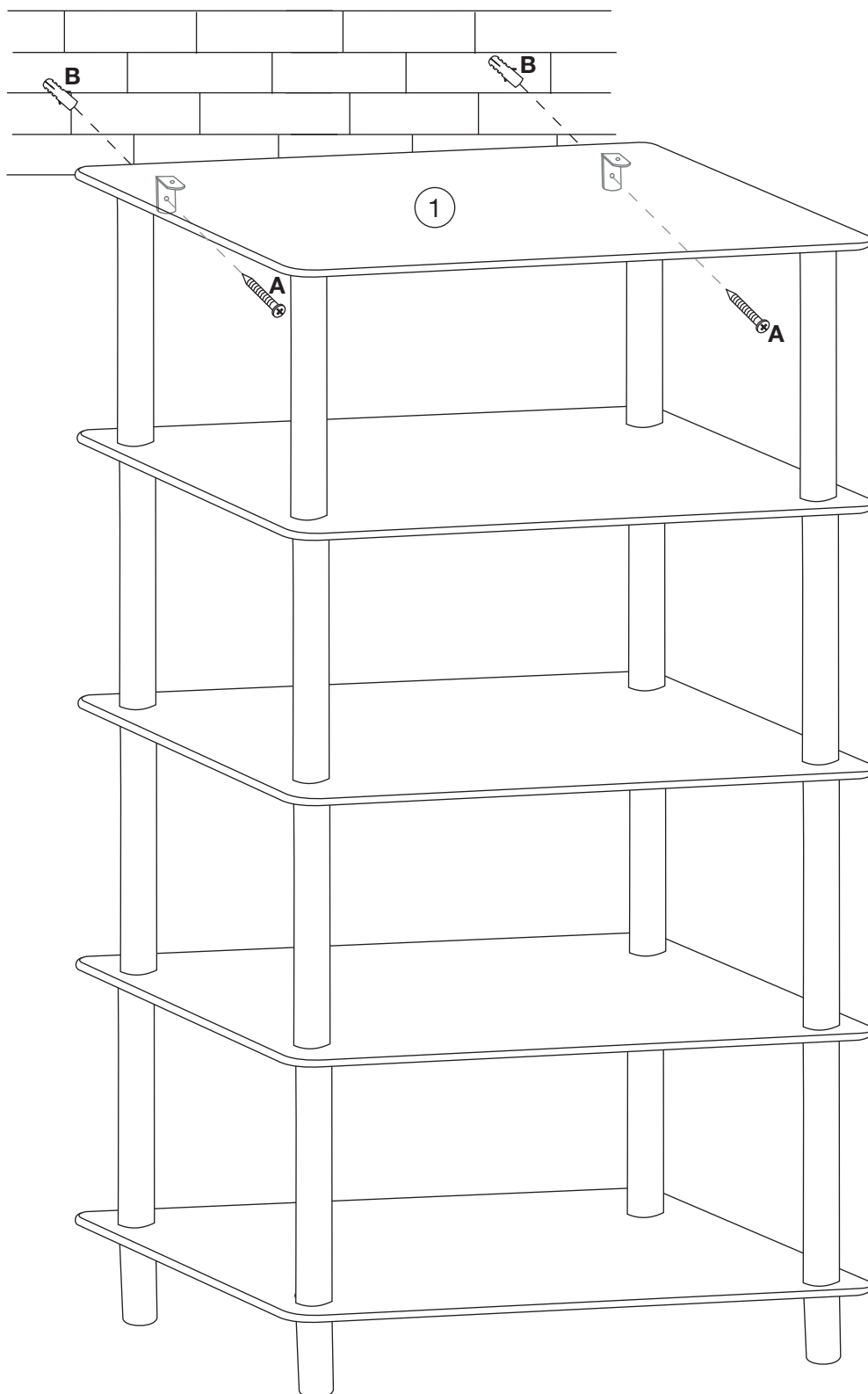


2



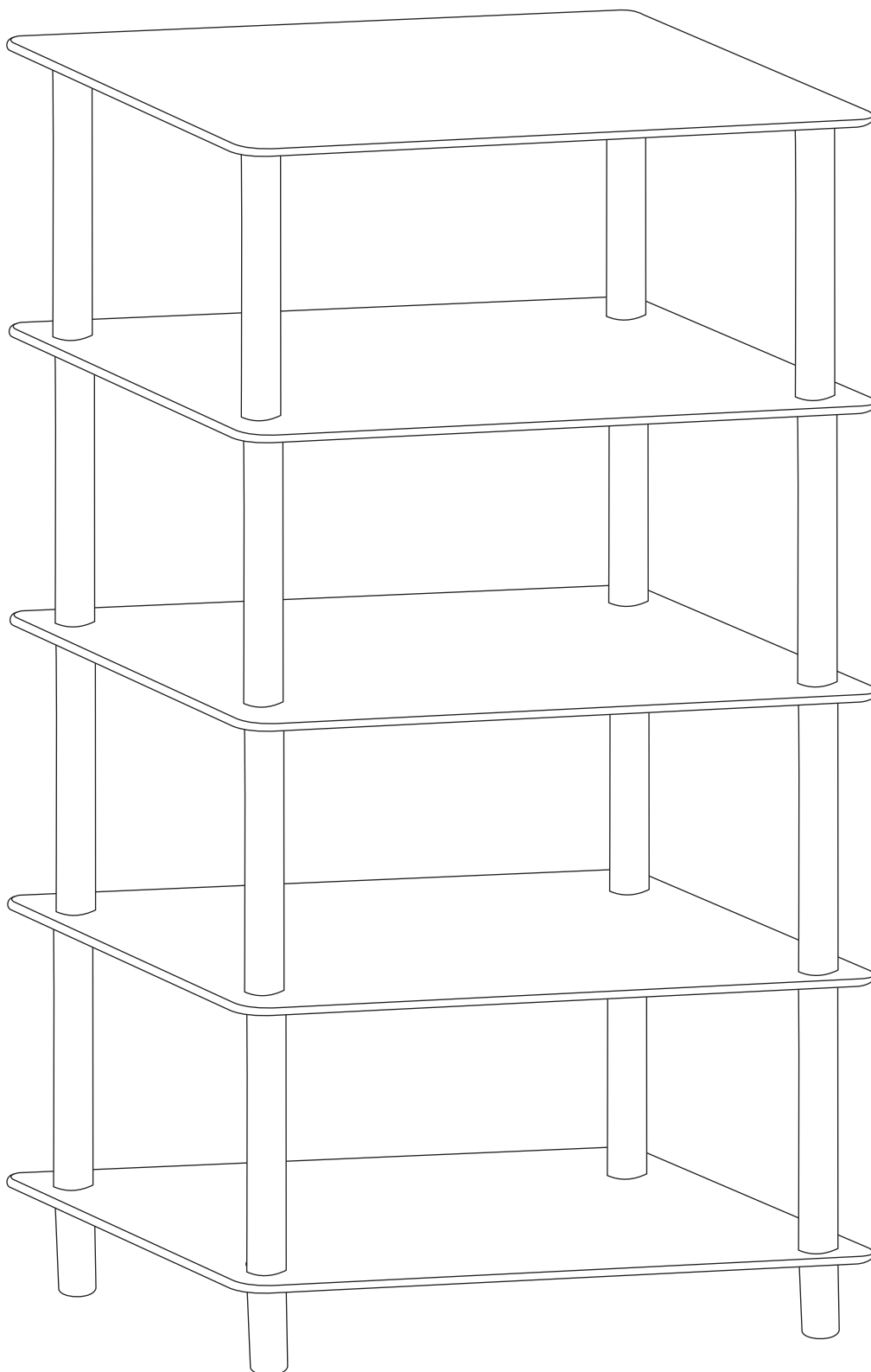
AXL

3



AXL

4



6 / 6