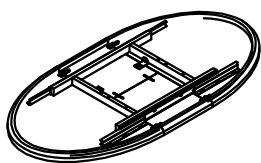
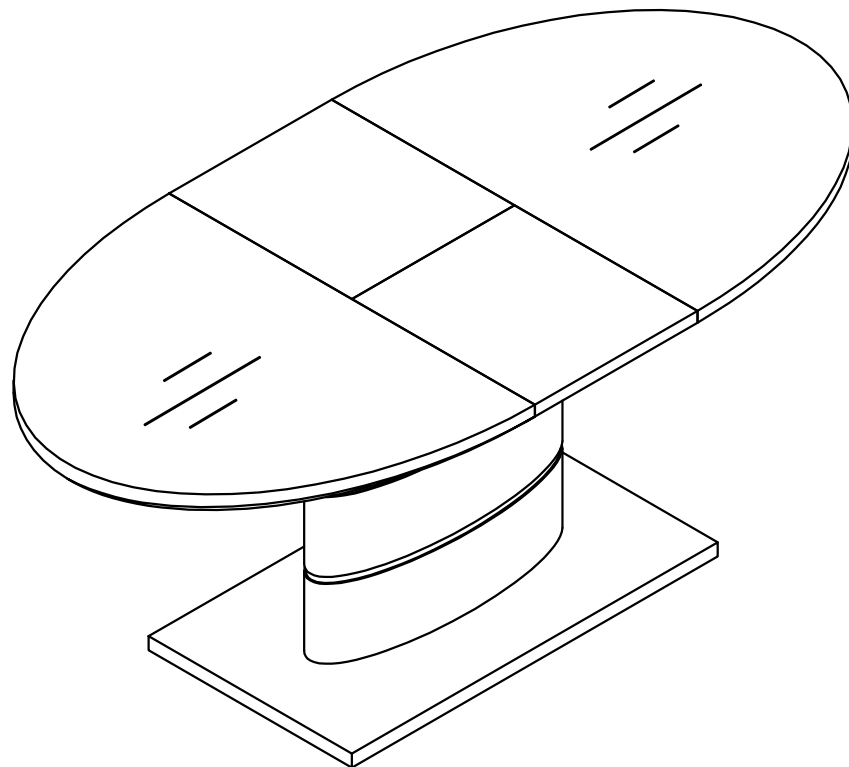
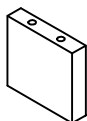


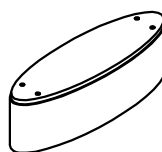
"HAZEL"



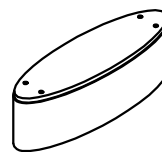
① x1



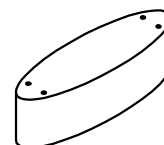
② x2



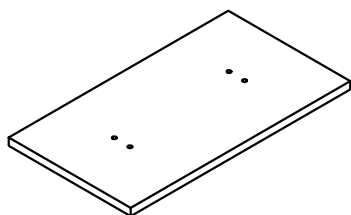
③ x1



④ x1



⑤ x1



⑥ x1

A (M6x13) x2



B (M8) x4



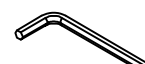
C (∅22x1.5mm) x4



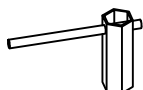
D (M8) x4



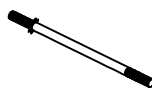
E (M4) x1



Fx1



Gx (M8x690) x4



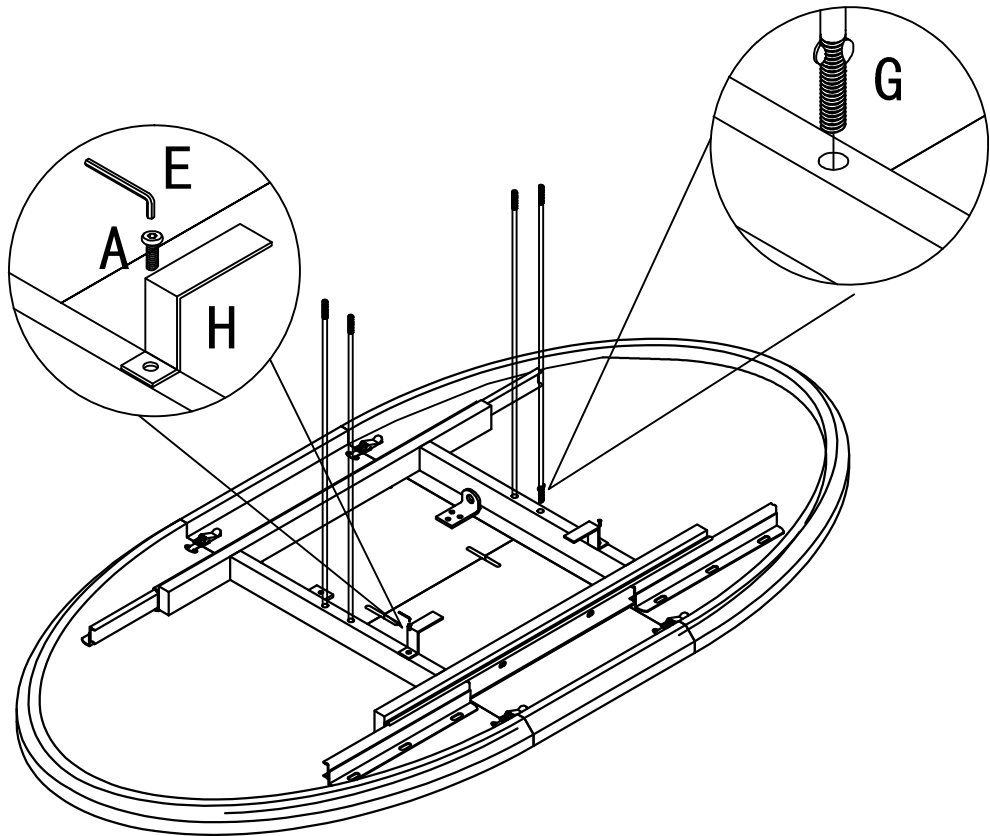
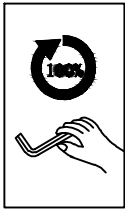
Hx2



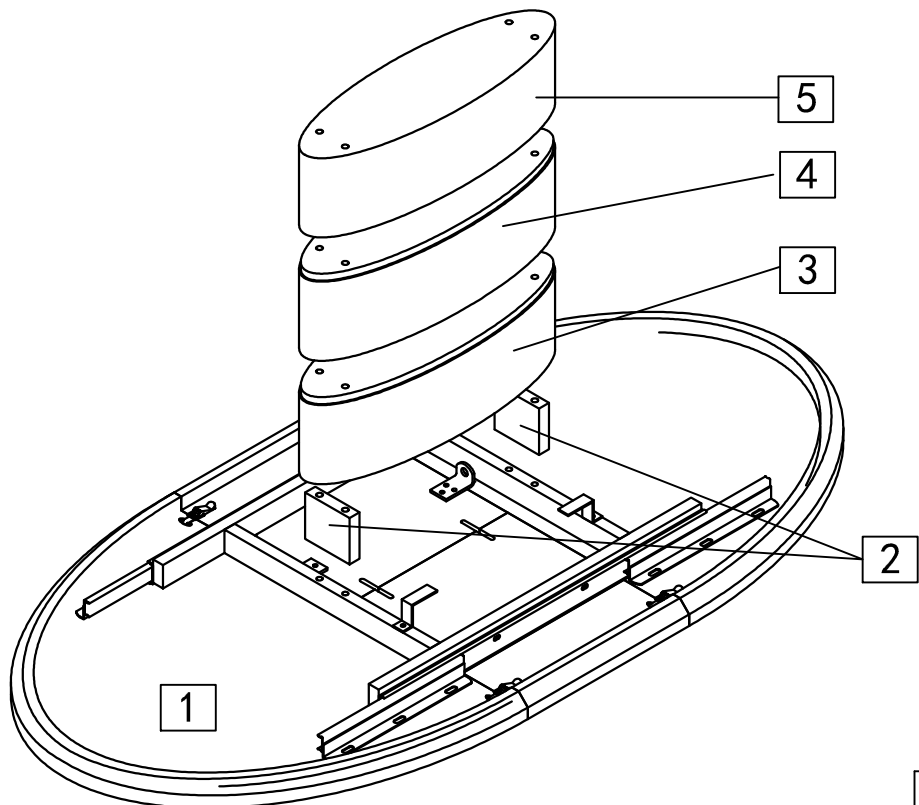
I (M6x15mm) x6



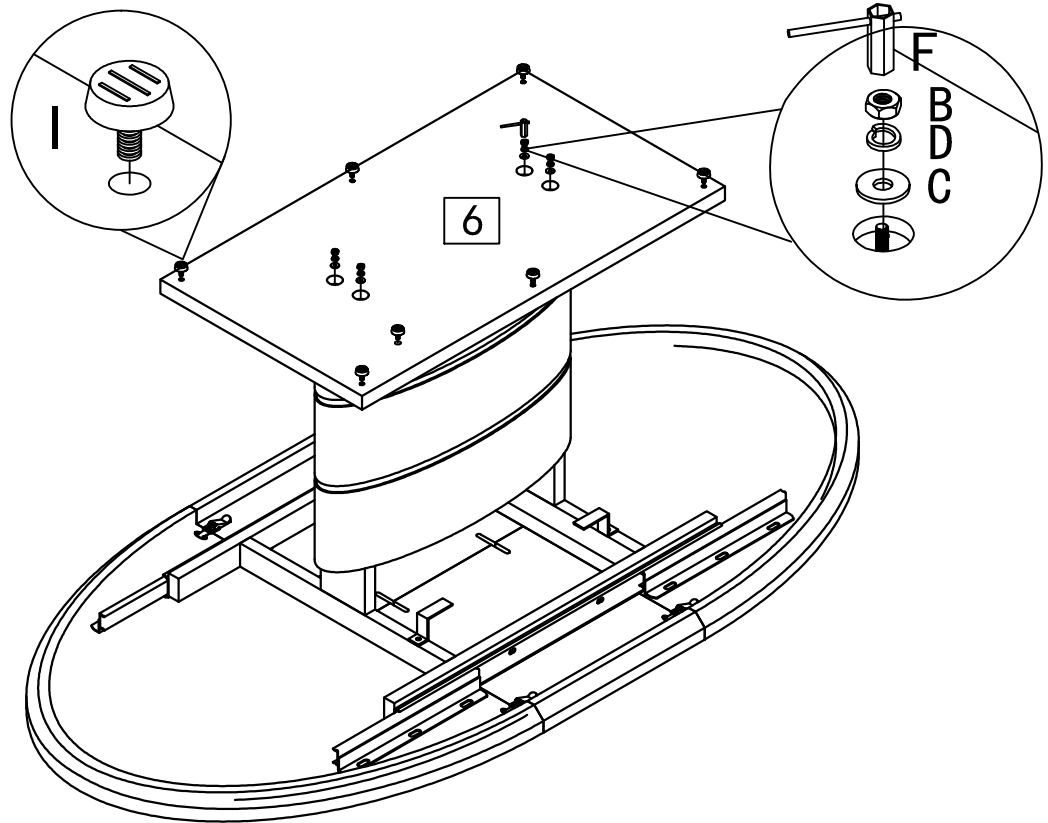
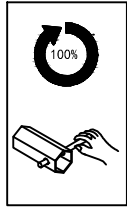
1



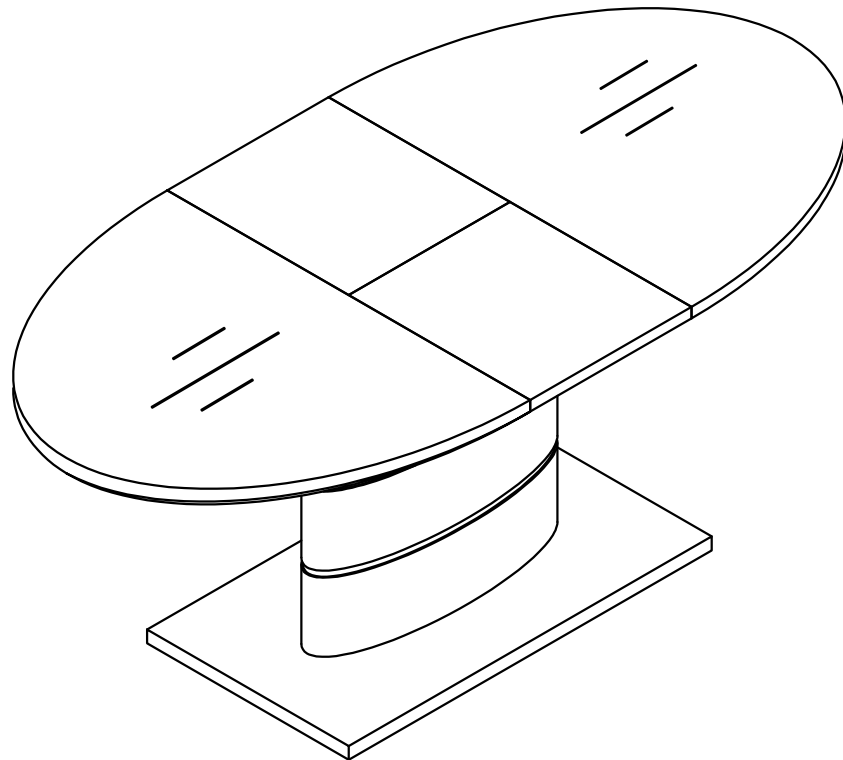
2



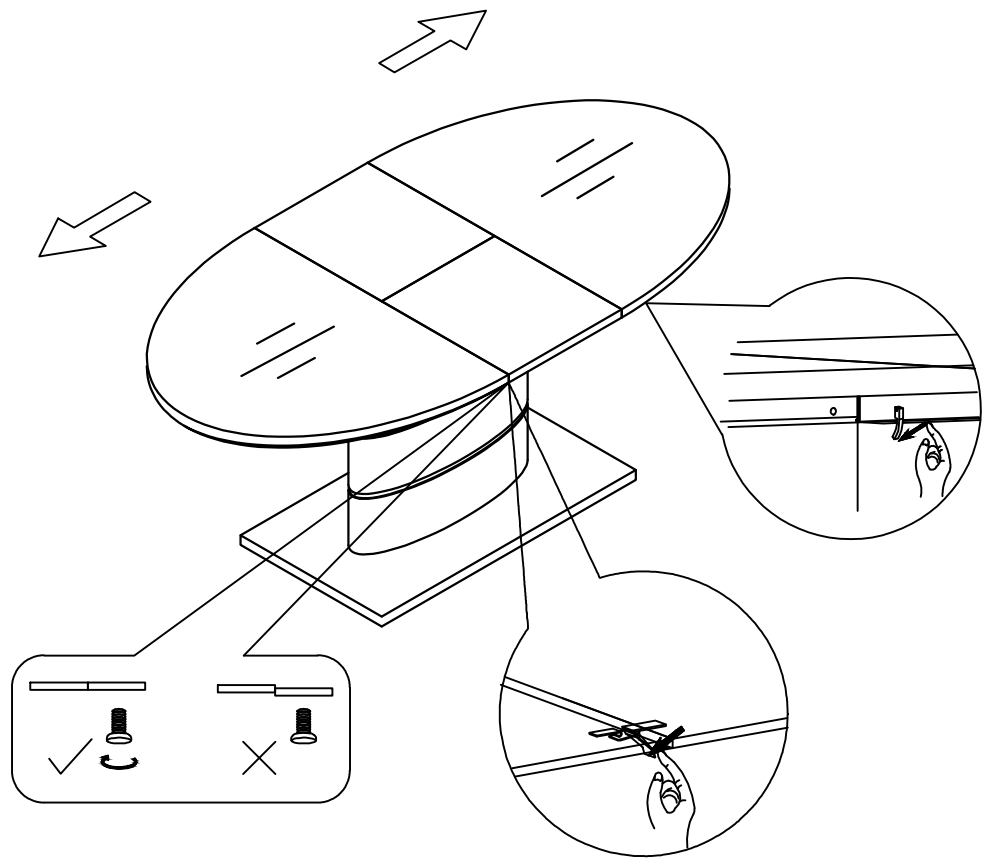
3



4



5



6

