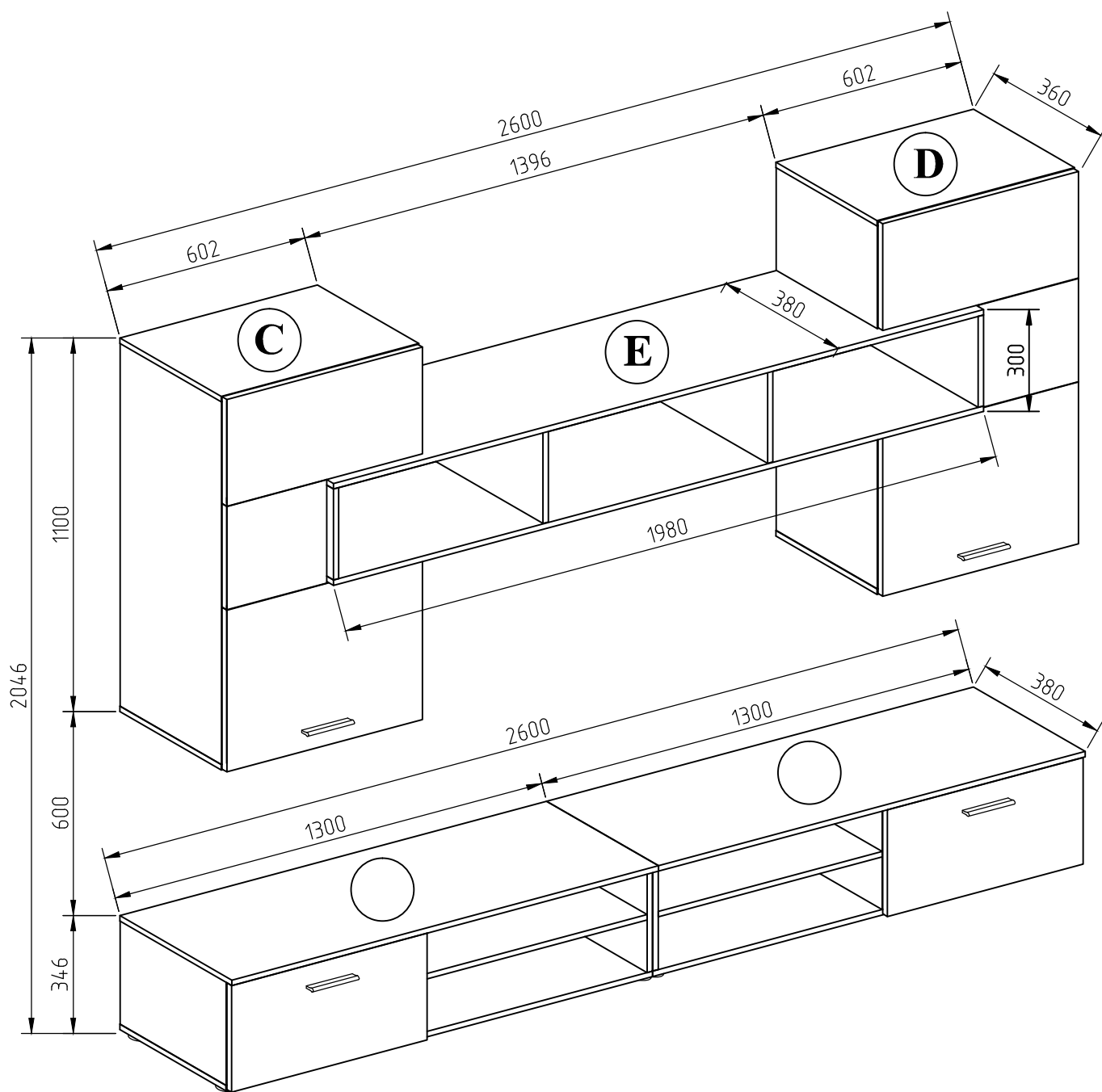
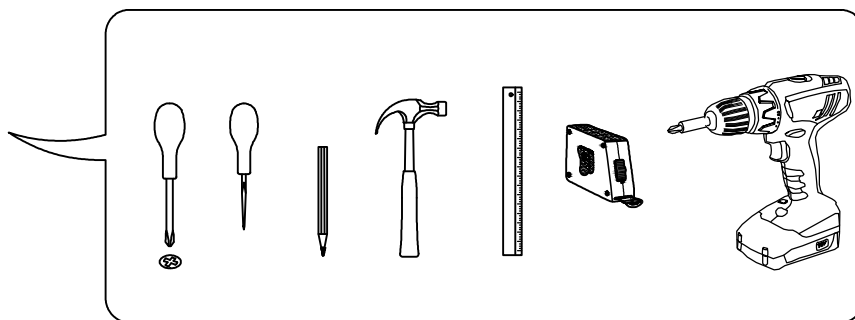
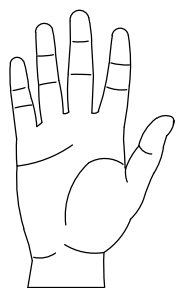




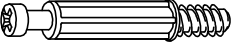
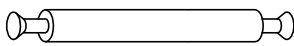
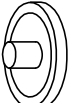
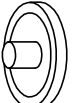


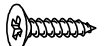
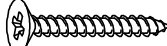






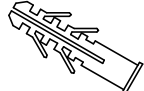
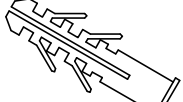




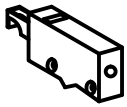


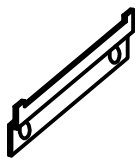
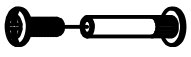

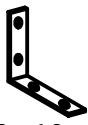



# HALI





 <b>A1</b> 8*30mm x80	 <b>A2</b> 8*50mm x8	 <b>B</b> x12
 <b>B1</b> 6,3*50mm x12	 <b>C1</b> 5*30mm x68	 <b>C2</b> 8*56mm x8
 White <b>D</b> x16	 Sonoma <b>D</b> x68	 <b>D1</b> 16mm x84
 <b>E3</b> 3*20mm x28	 <b>E4</b> 3,5*16 x34	 <b>E11</b> 4*30mm x8
 <b>E15</b> 4*60mm x5	 <b>E21</b> 6*60mm x8	 <b>Ea1</b> 3,5*27mm x8
 <b>Ea2</b> 4,2*16mm x18	 <b>F2</b> 6,3*13mm x20	 <b>H2</b> x52
 <b>H5</b> 8*50mm x5	 <b>H6</b> 10*50mm x8	 <b>I9</b> x4
 <b>J1</b> 5*16mm x16	 <b>K5</b> x10	 <b>L1</b> x10

 <b>(N1)</b> x4	 <b>(N4)</b> 1R+1L x2	 <b>(O1)</b> x12
 <b>(O4)</b> x4	 <b>(Q10)</b> M 4 x6	 <b>(R4)</b> N°4 x1
 <b>(S7)</b> 60x60x15 x2	 <b>(U3)</b> x8	



	a*b	x	N°→...
1L	304x360	x1	1/4
1R	304x360	x1	1/4
2	304x346	x1	1/4
3	1300x380	x1	3/4
4	1300x380	x1	2/4
5	681x330	x1	2/4
6	596x314	x1	2/4
7	579x313	x1	3/4
8	694x313	x1	3/4

**B**

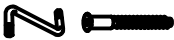
	$a*b$	x	$N^p \rightarrow \dots$
1L	304x360	x1	1/4
1R	304x360	x1	1/4
2	304x346	x1	1/4
3	1300x380	x1	3/4
4	1300x380	x1	2/4
5	681x330	x1	2/4
6	596x314	x1	2/4
7	579x313	x1	3/4
8	694x313	x1	3/4

	$a*b$	x	$N^p \rightarrow \dots$
1L	1068x344	x1	1/4
2R	464x344	x1	4/4
3R	302x344	x1	1/4
4	302x330	x1	4/4
5	602x344	x2	3/4
6	568x330	x1	3/4
7	568x330	x1	3/4
8	567x320	x1	3/4
9a	476x596	x1	4/4
9b	314x596	x1	2/4
9c	304x304	x1	3/4
10	577x460	x1	4/4
11	295x316	x1	4/4
12	577x298	x1	3/4

**D**

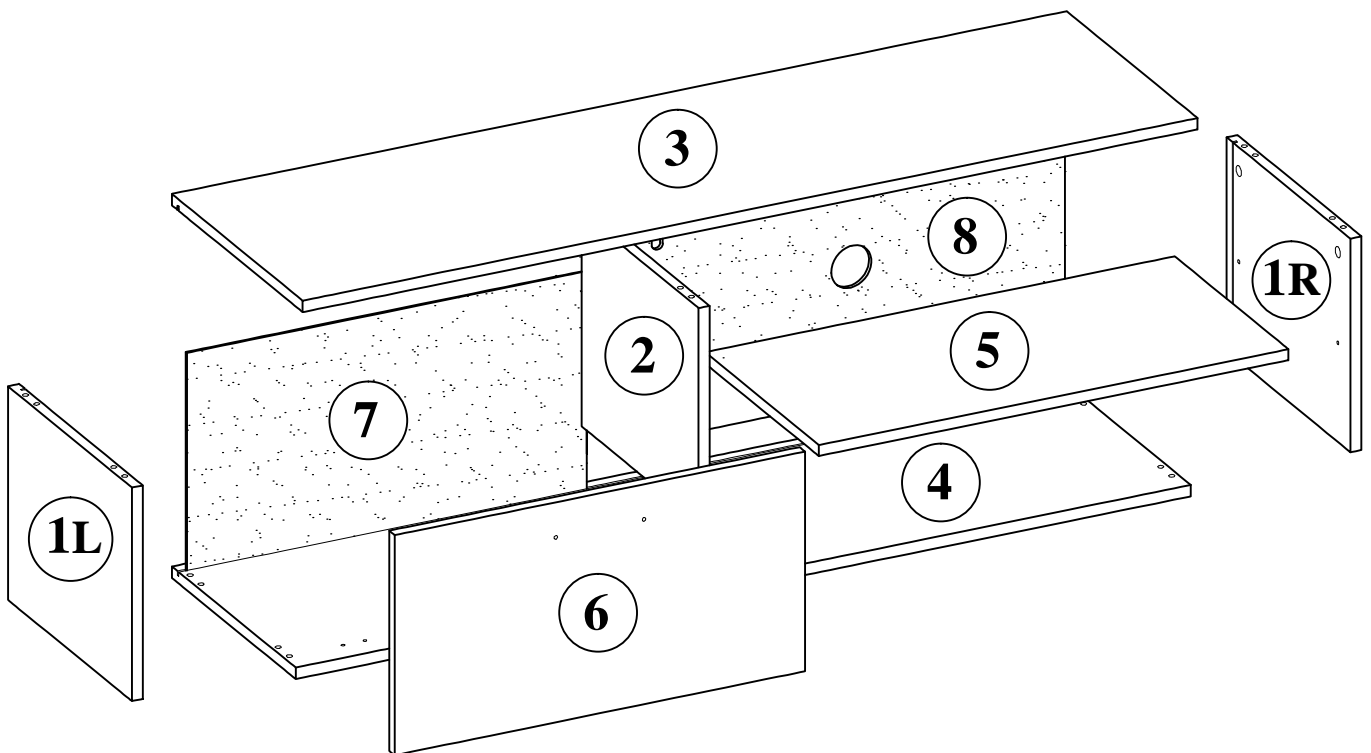
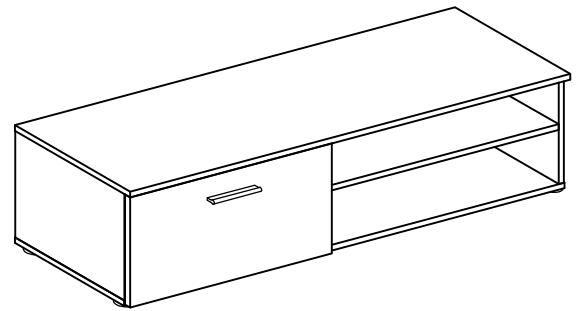
	$a*b$	x	$N^p \rightarrow \dots$
1R	1068x344	x1	1/4
2L	464x344	x1	4/4
3L	302x344	x1	1/4
4	302x330	x1	4/4
5	602x344	x2	2/4
6	568x330	x1	1/4
7	568x330	x1	1/4
8	567x320	x1	3/4
9a	476x596	x1	4/4
9b	314x596	x1	2/4
9c	304x304	x1	3/4
10	577x460	x1	4/4
11	295x316	x1	4/4
12	577x298	x1	3/4

**O**

	$a*b$	x	$N^p \rightarrow \dots$
1	286x380	x2	3/4
2	286x364	x2	3/4
3	1980x380	x2	1/4
4	1957x277	x1	1/4
5	800x80	x1	1/4
		x1	4/4

**A**

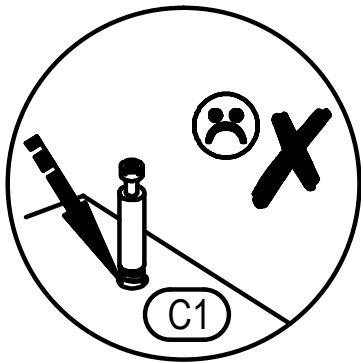
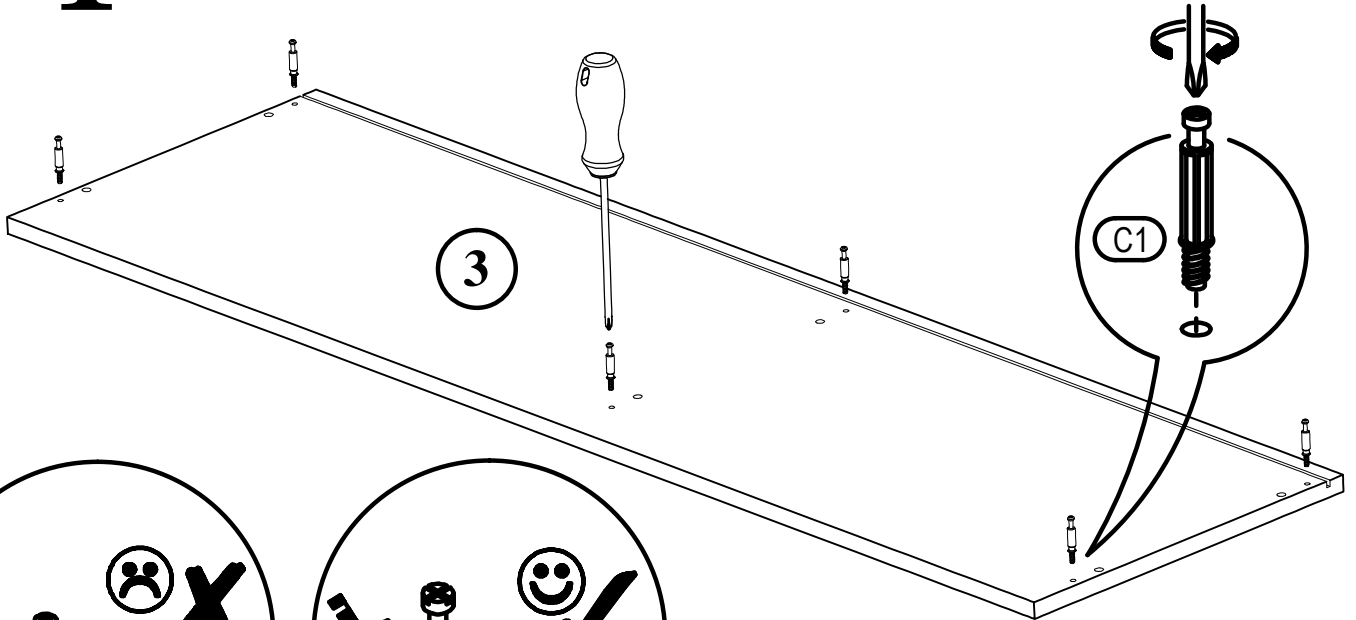
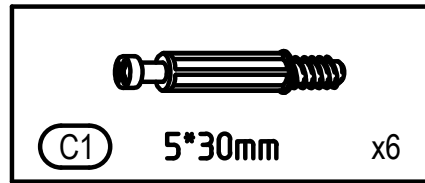
**HALI**



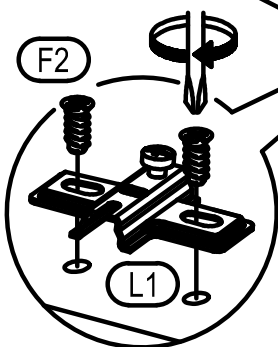
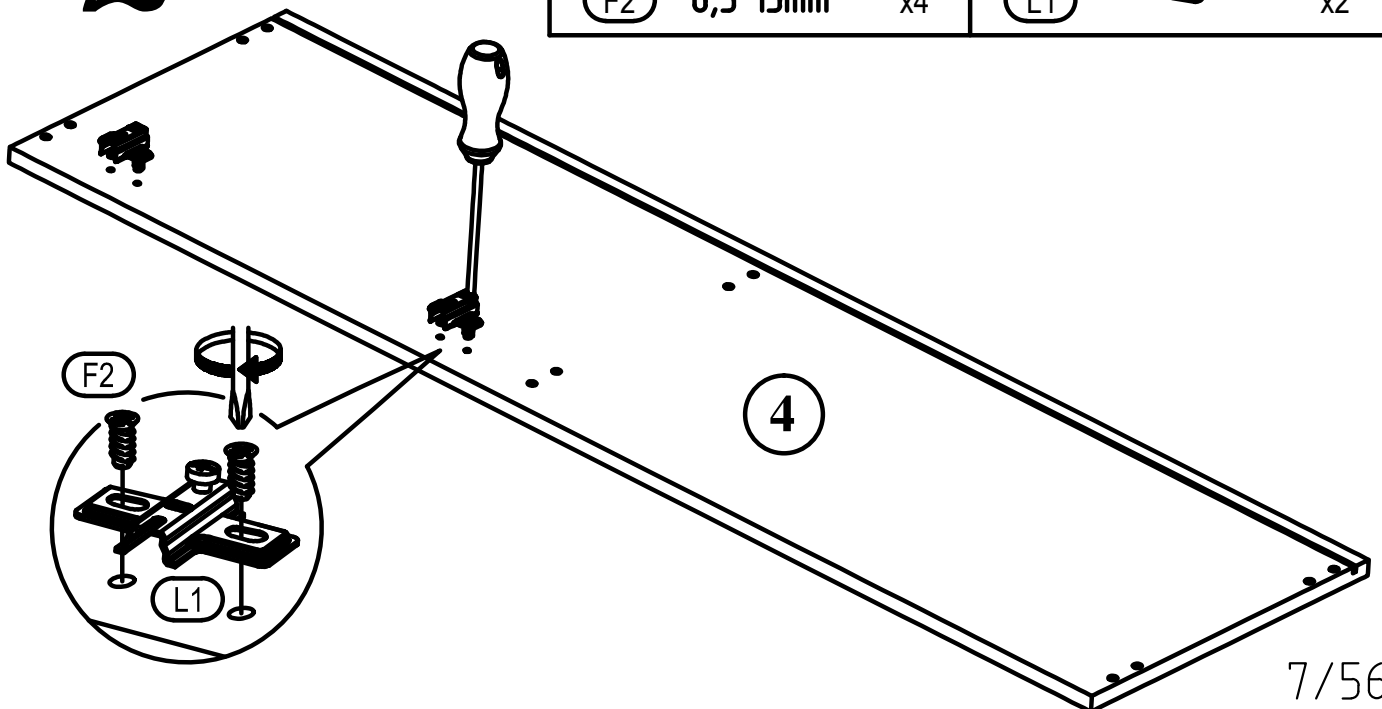
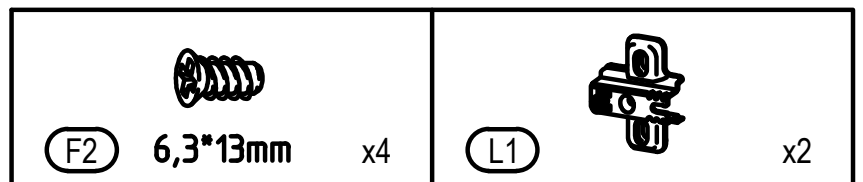
A

HALI

1

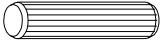

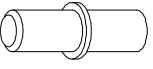


2

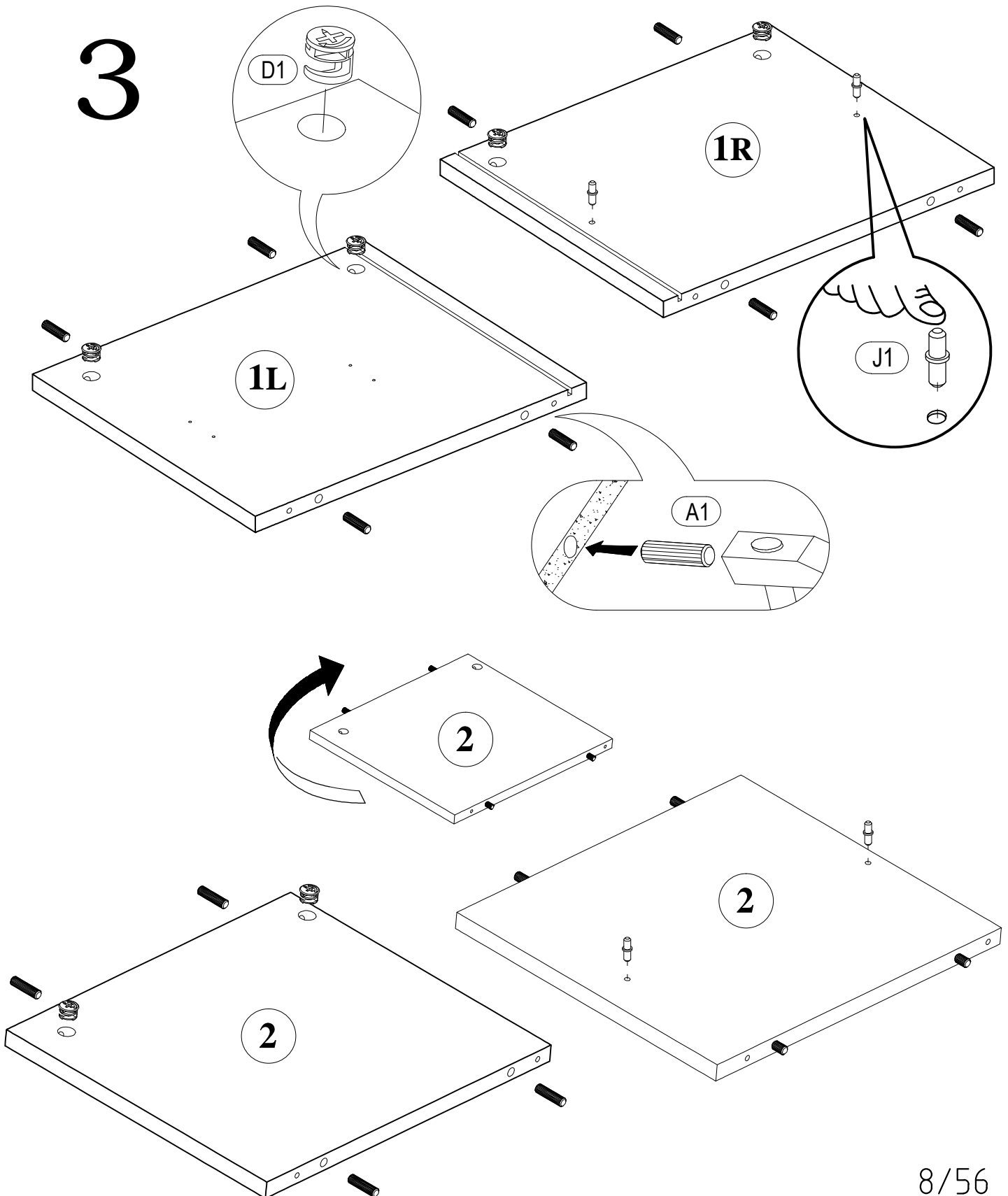


A

HALI

 A1 8*30mm x12	 D1 16mm x6	 J1 5*16mm x4
--	---	---




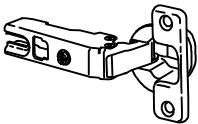
3



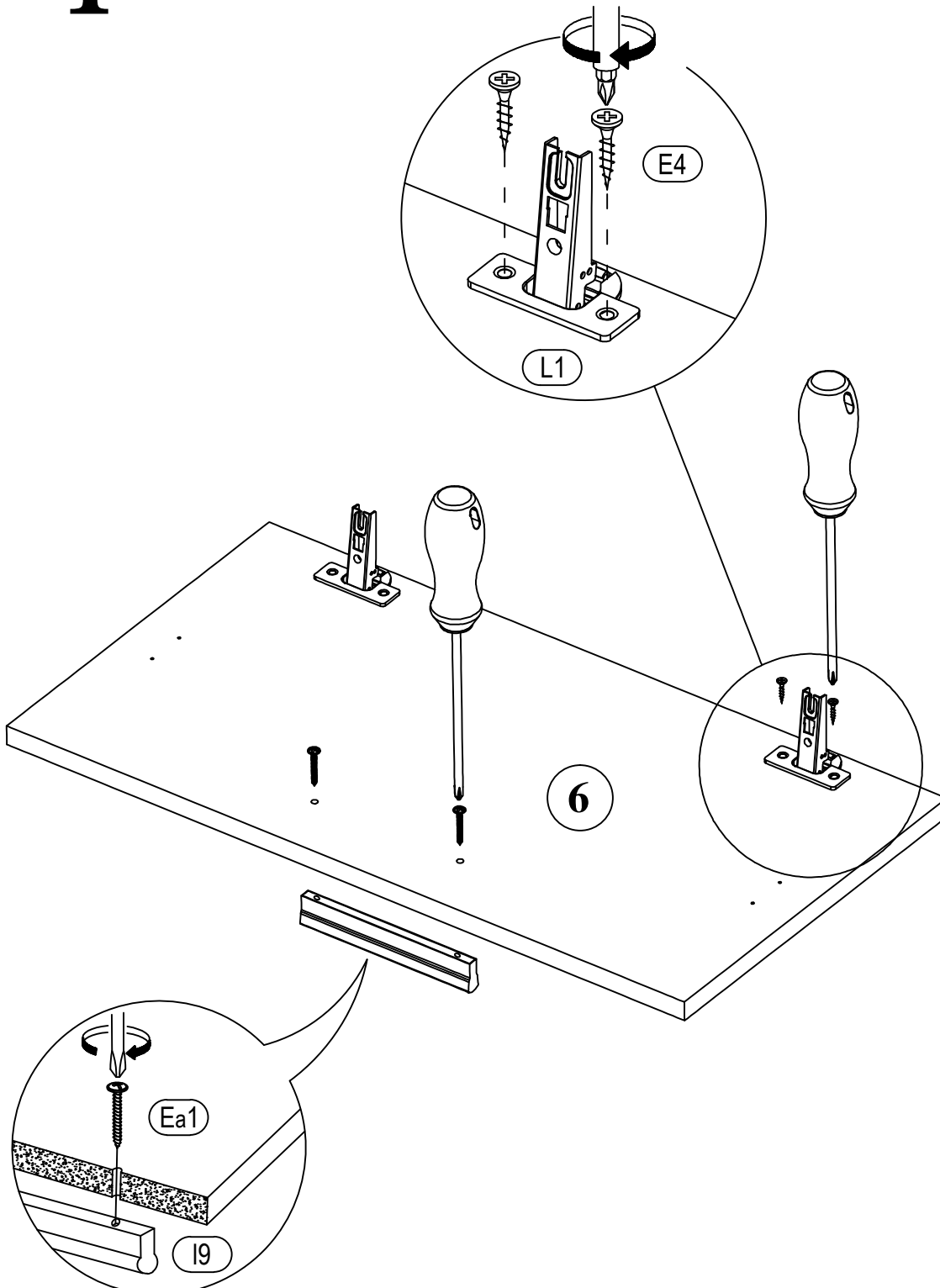


A

HALI

 E4 3,5*16 x4	 Ea1 3,5*27mm x2	 I9 x1
		 L1 x2


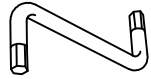
4

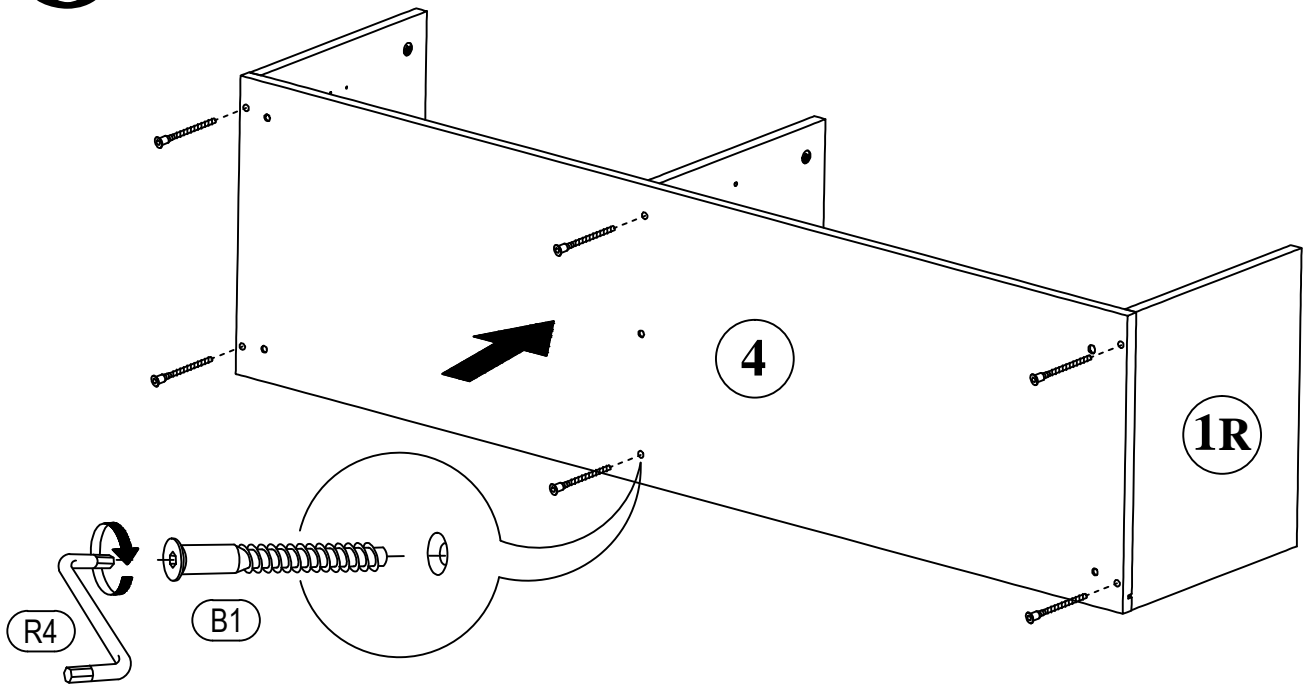


**A**

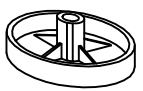
**HALI**

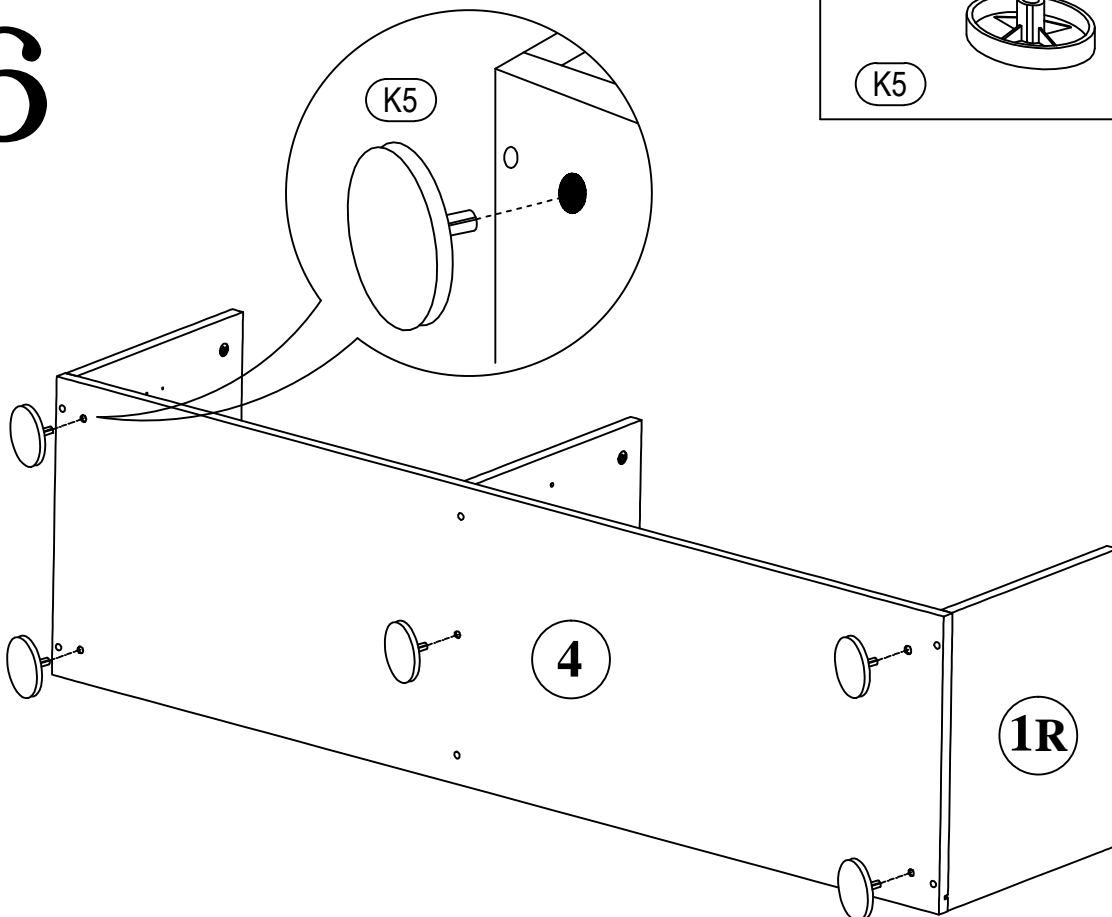
**5**

	
<b>B1</b> 6,3*50mm x6	<b>R4</b> N°4 x1



**6**

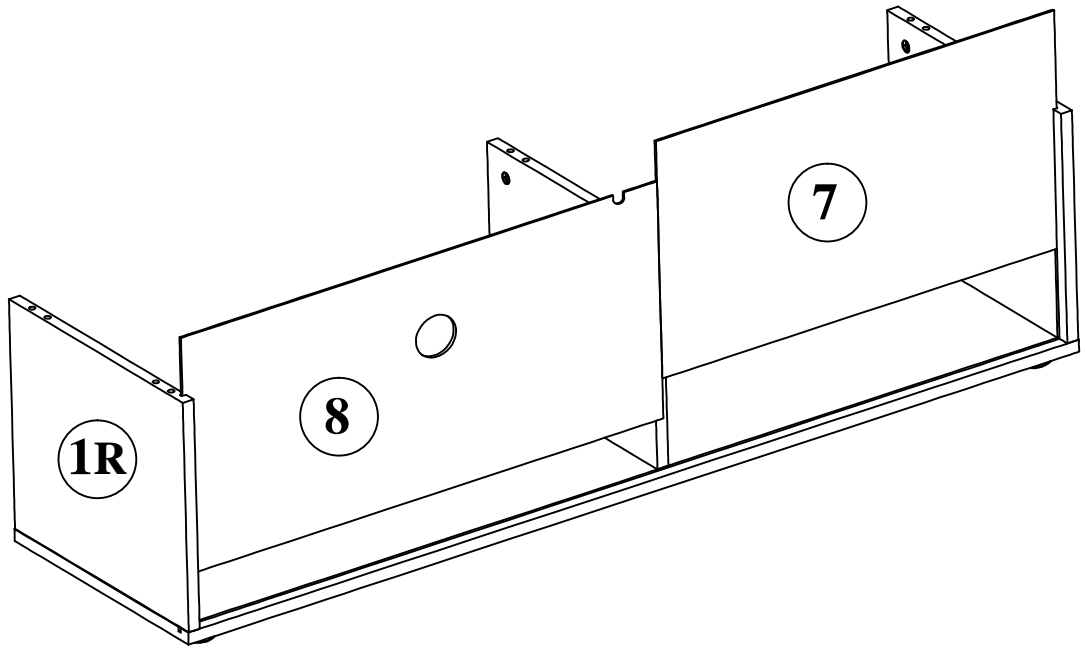

<b>K5</b> x5



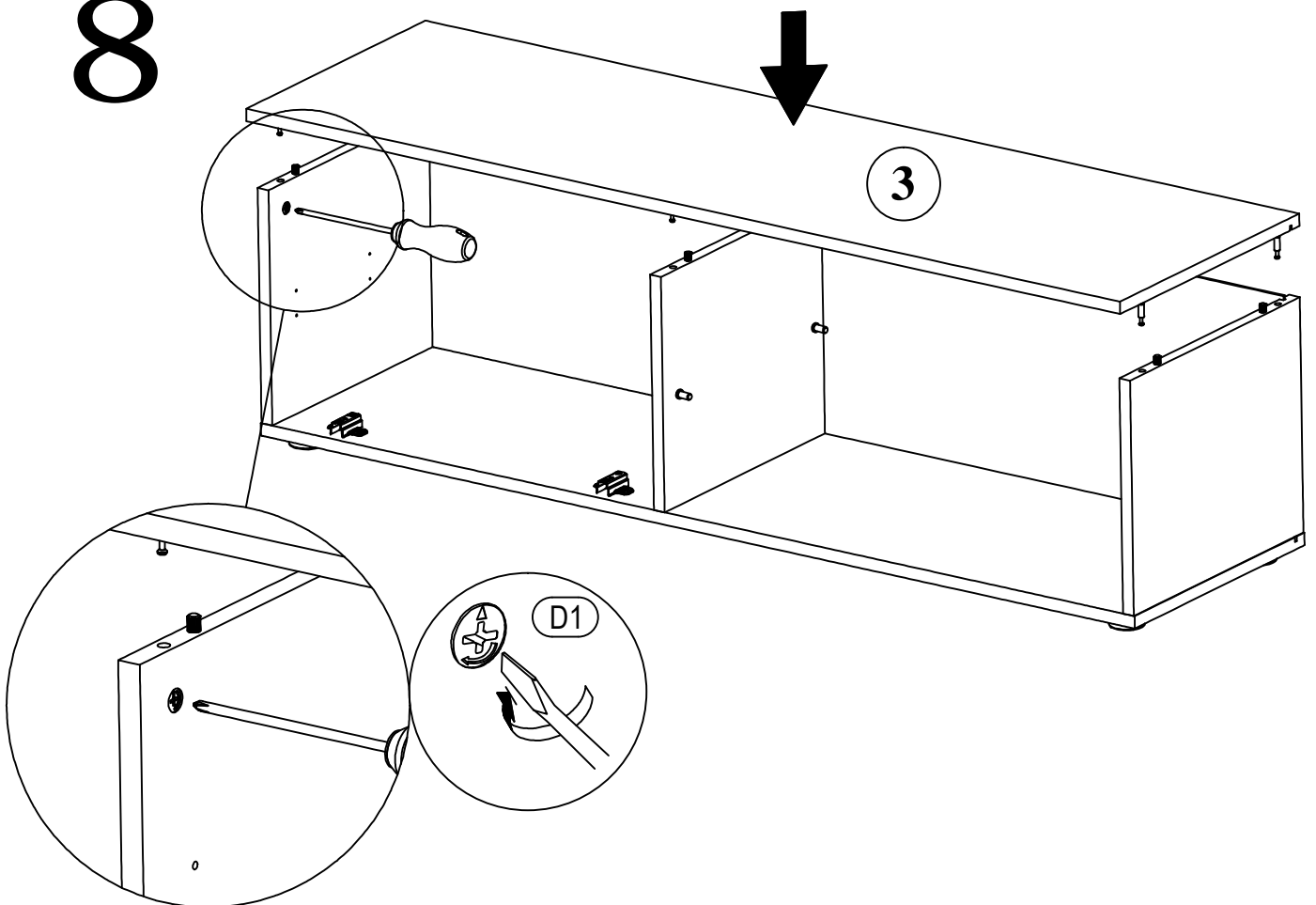
A

HALI

7






8

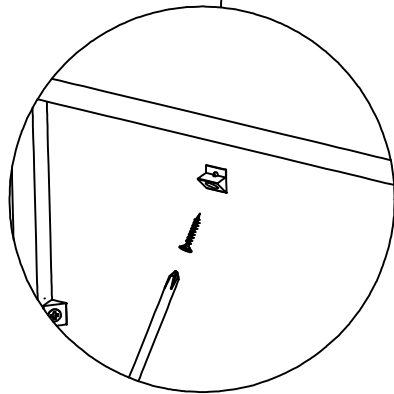
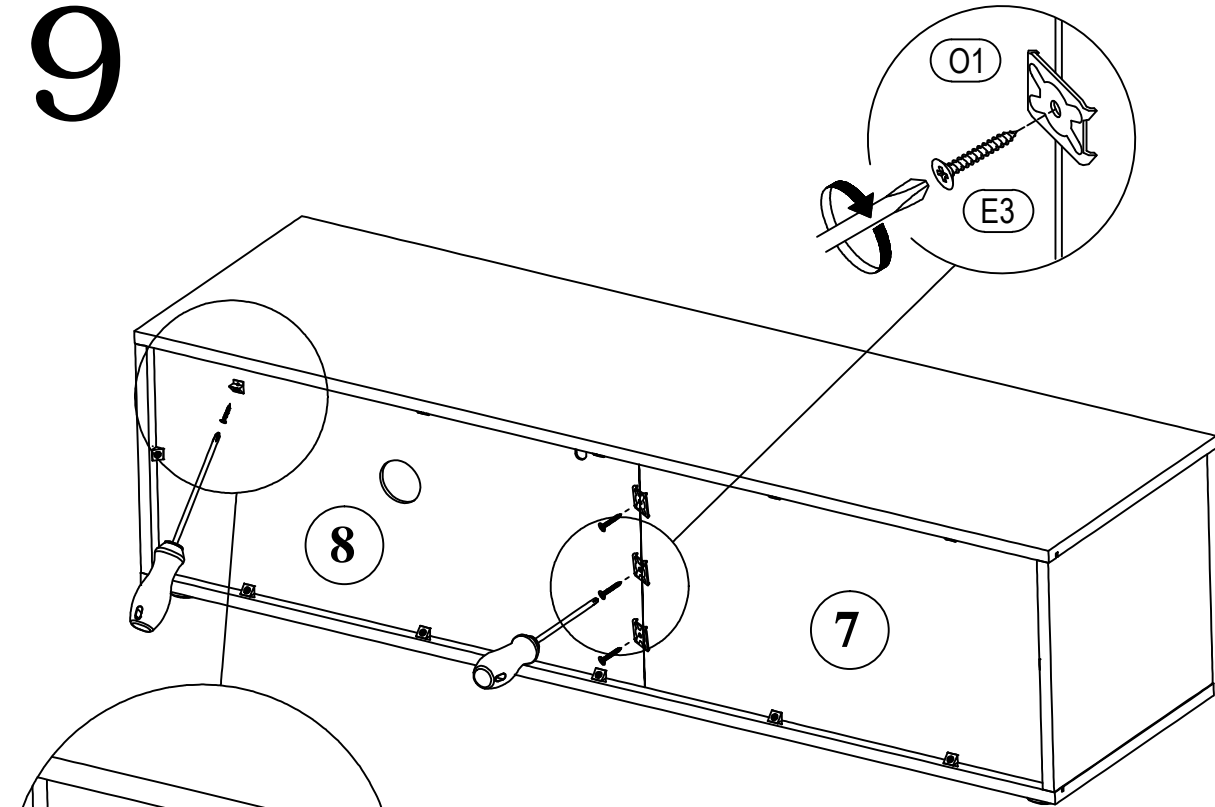


A

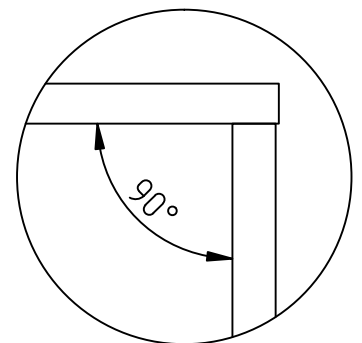
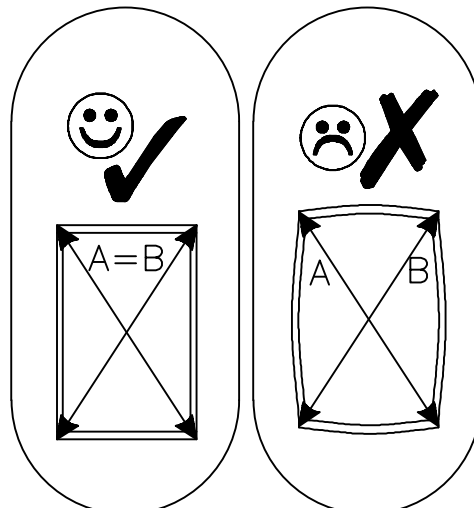
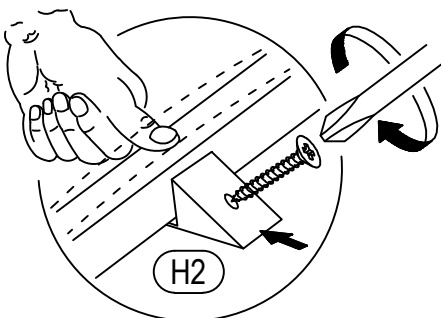
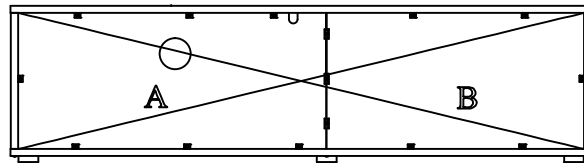
HALI

 E3 3*20mm x3	 H2 x12	 O1 x3
---	---	--

9


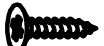





A=B

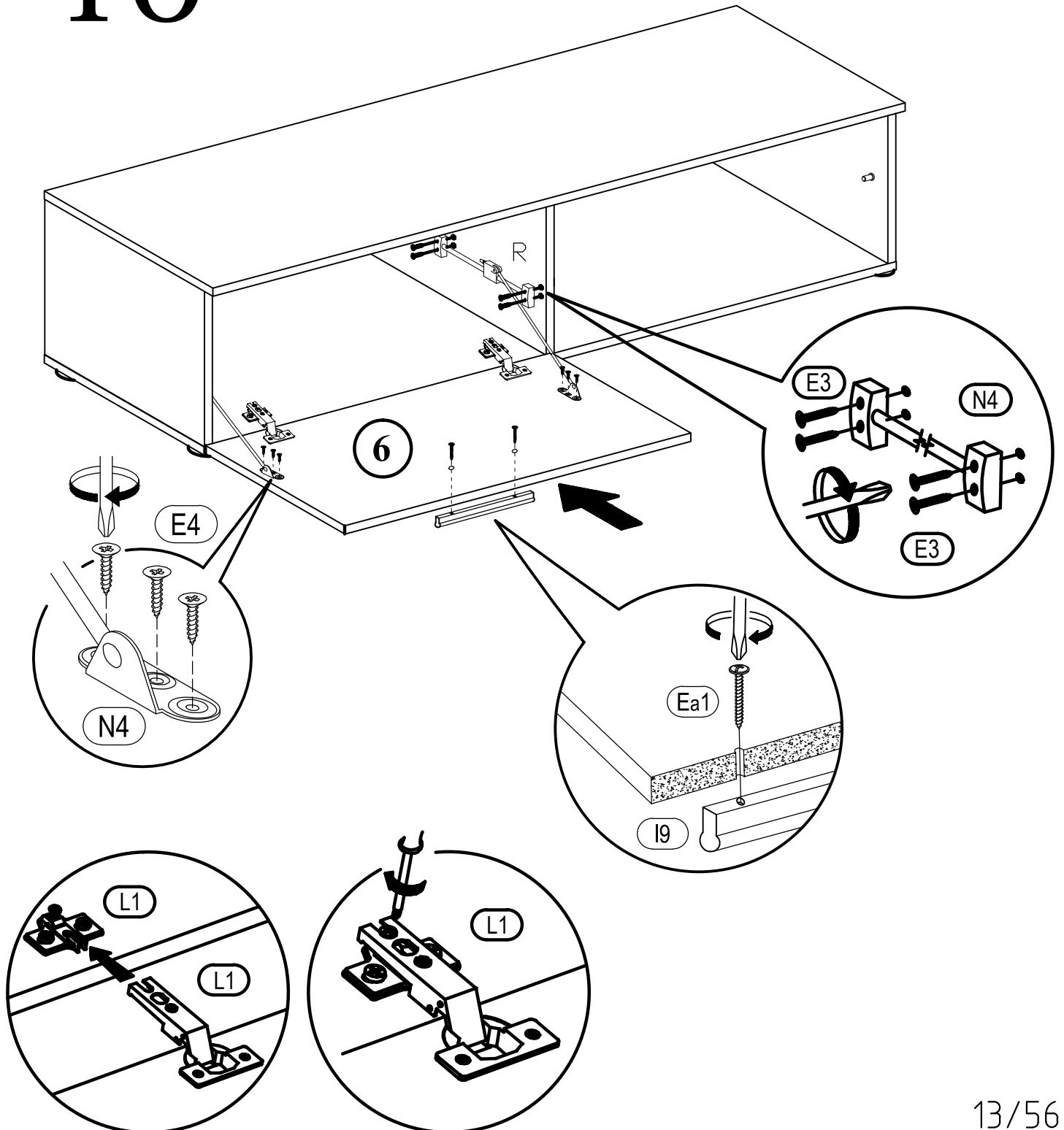


A

HALI




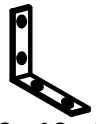
 E3 3*20mm x8	 E4 3,5*16 x6	 Ea1 3,5*27mm x2
	 I9 x1	 N4 1R+1L x1

10

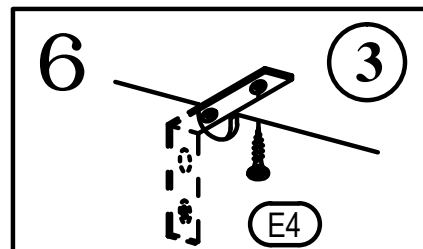
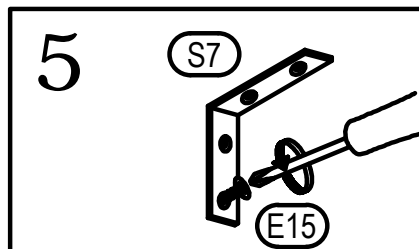
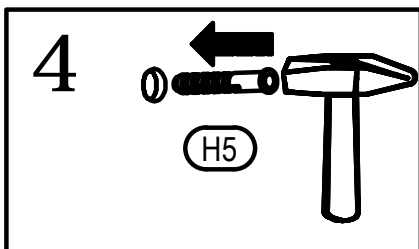
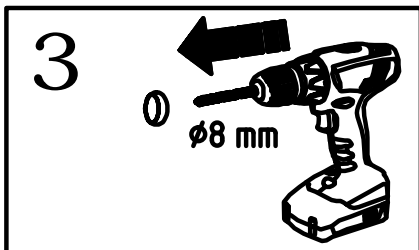
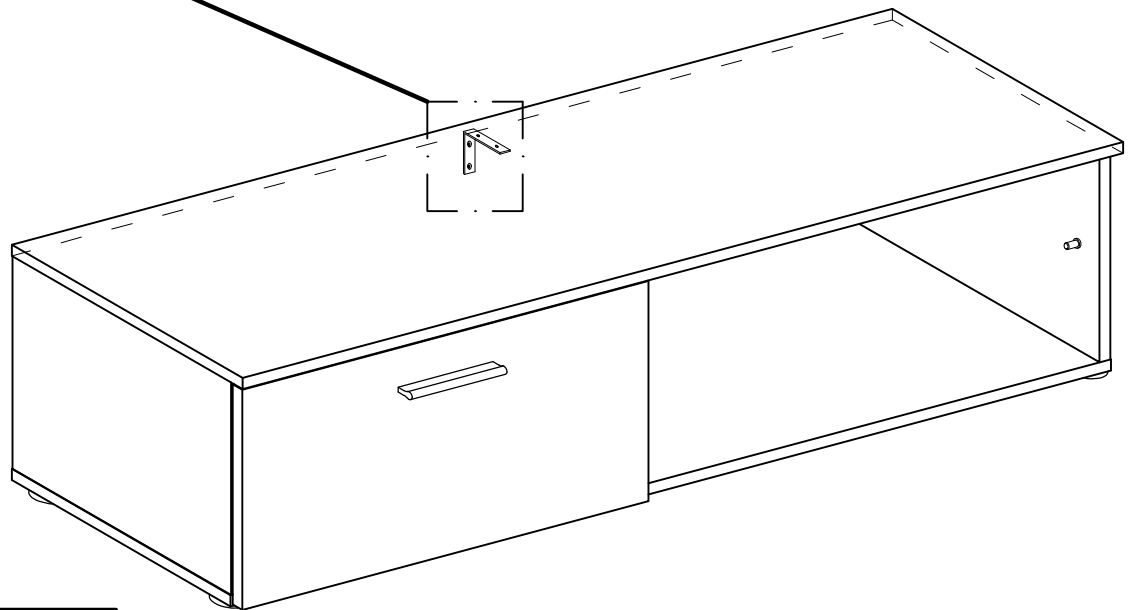
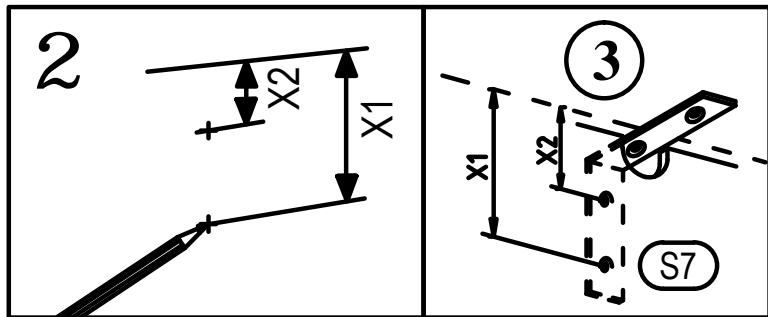
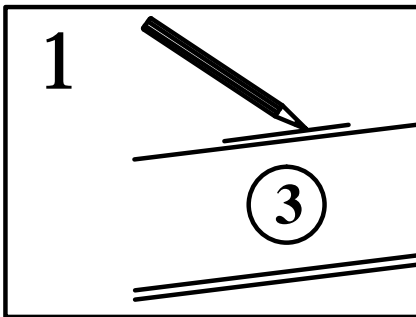


A

HALI

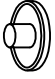
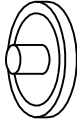

 E4 3,5*16 x1	 E15 4*60mm x1	 H5 8*50mm x1
		 S7 60x60x15 x1

11

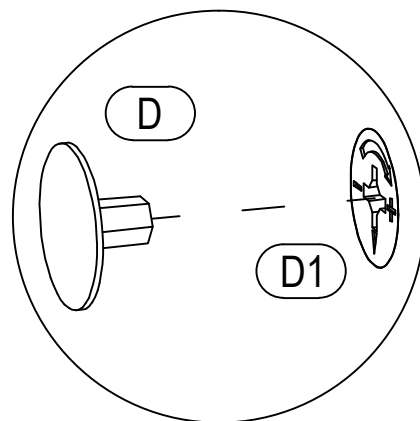
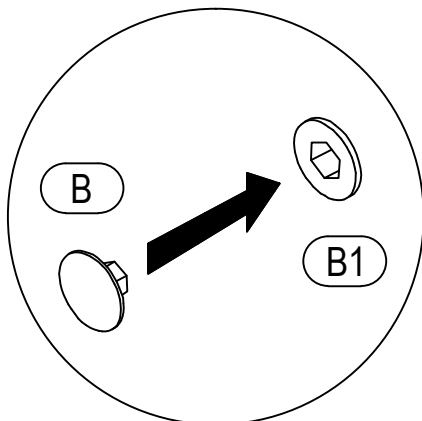
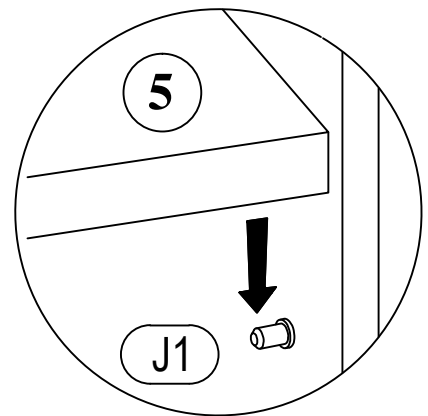
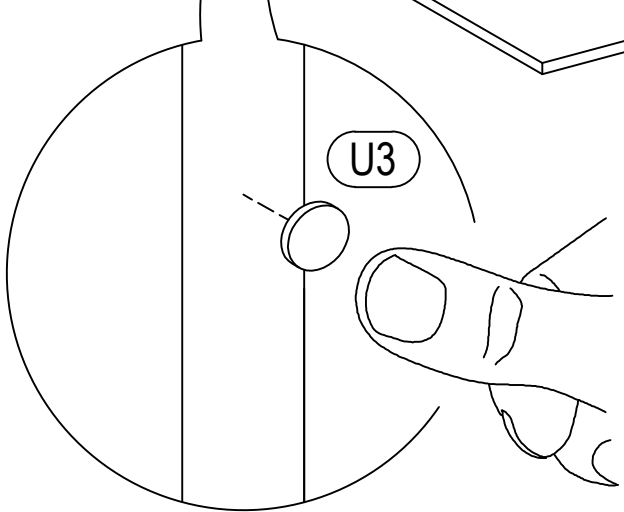
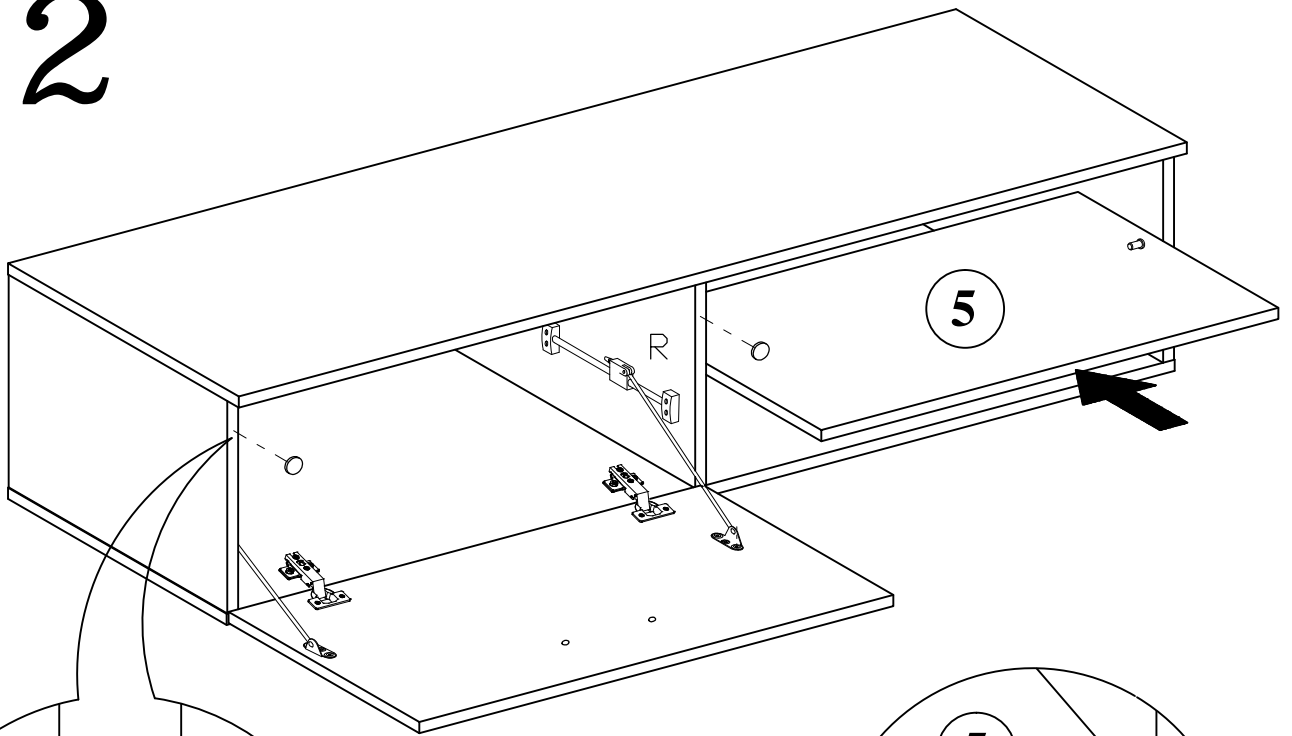


**A**

**HALI**

 <b>B</b>	x6	 <b>D</b>	x6	 <b>U3</b>	x2
---	----	---	----	--	----

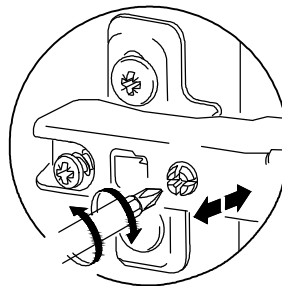
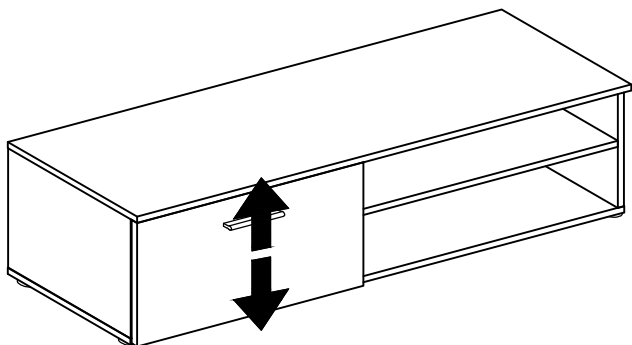
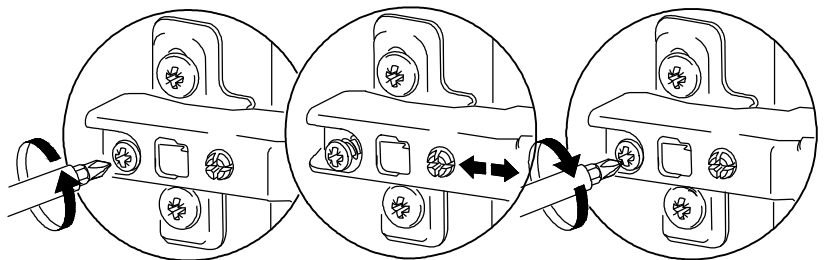
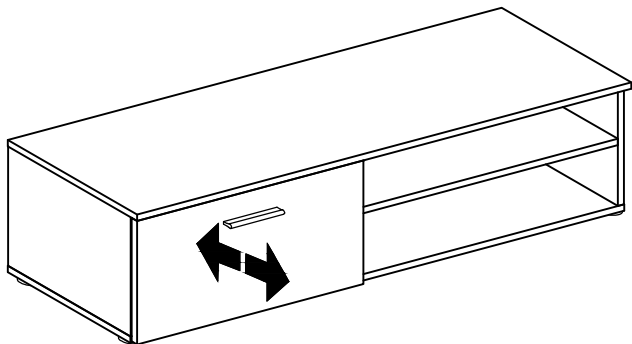
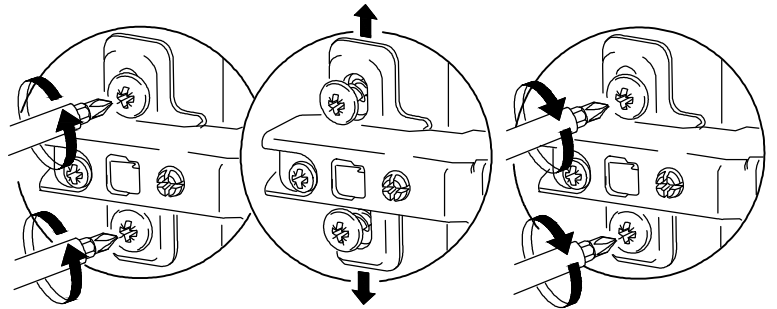
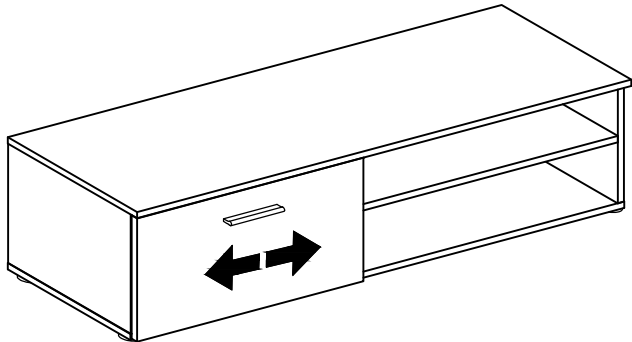
**12**



A

HALI

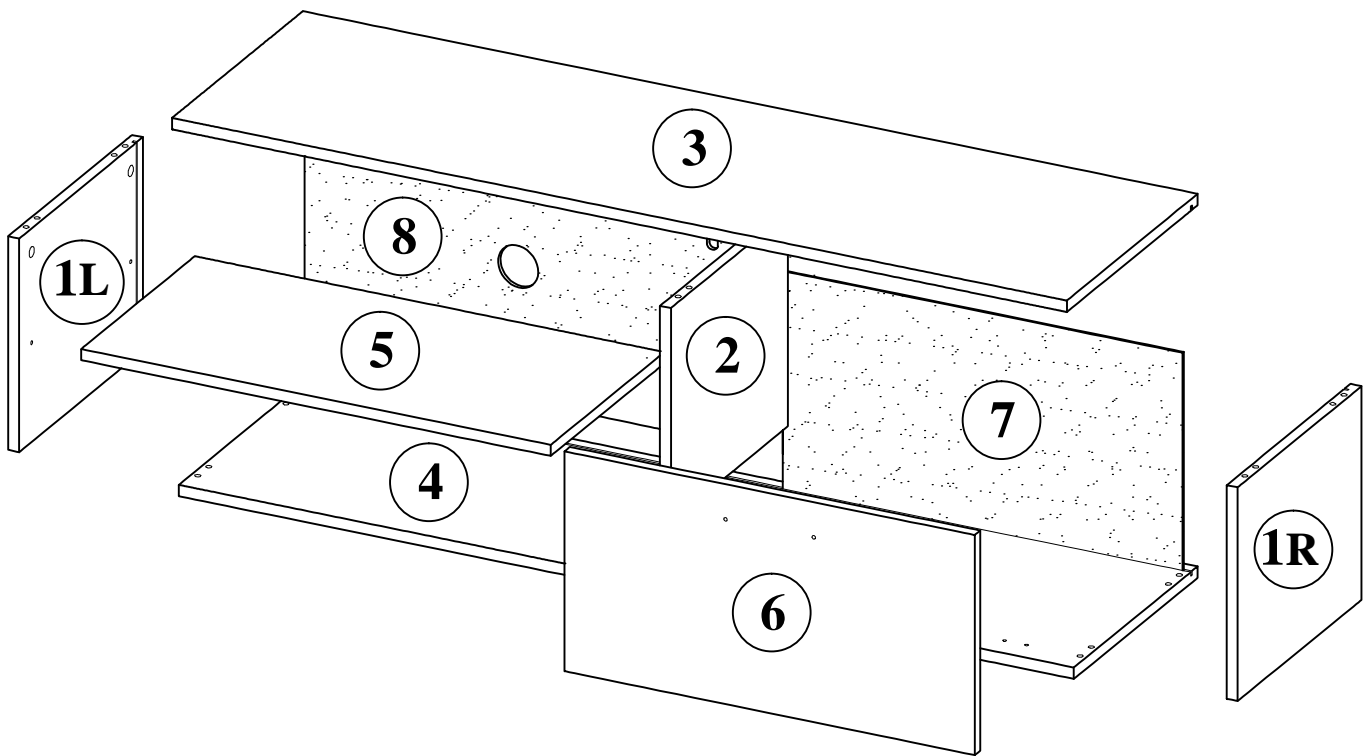
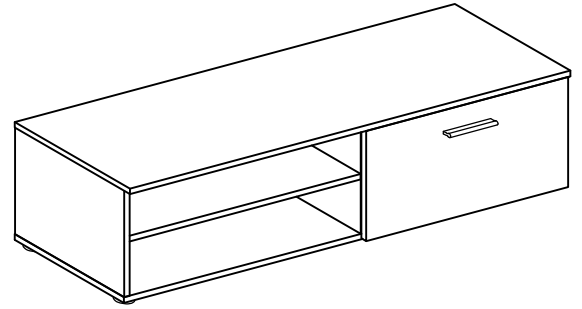
13





**B**

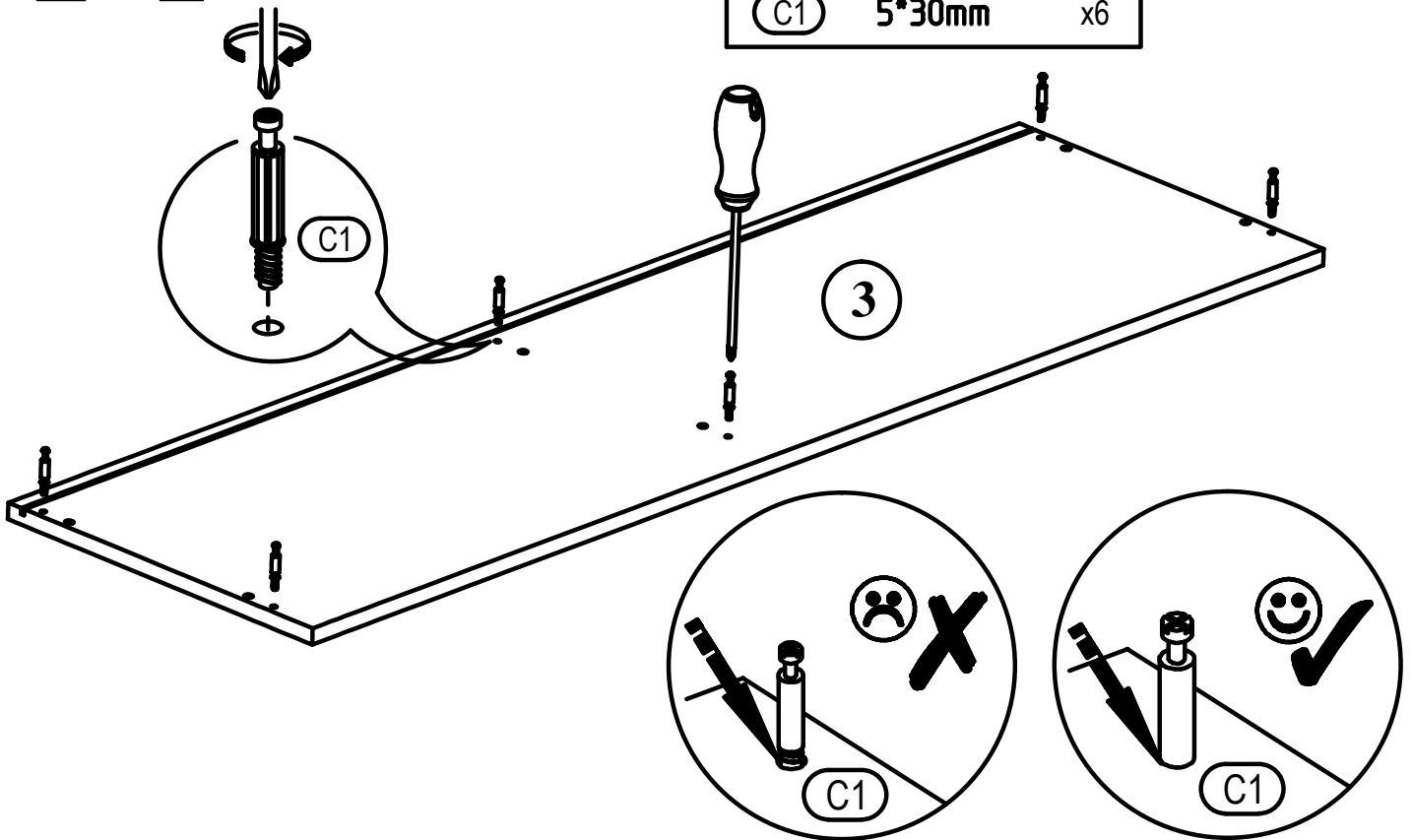
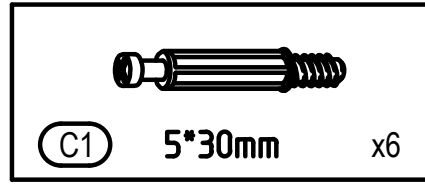
**HALI**



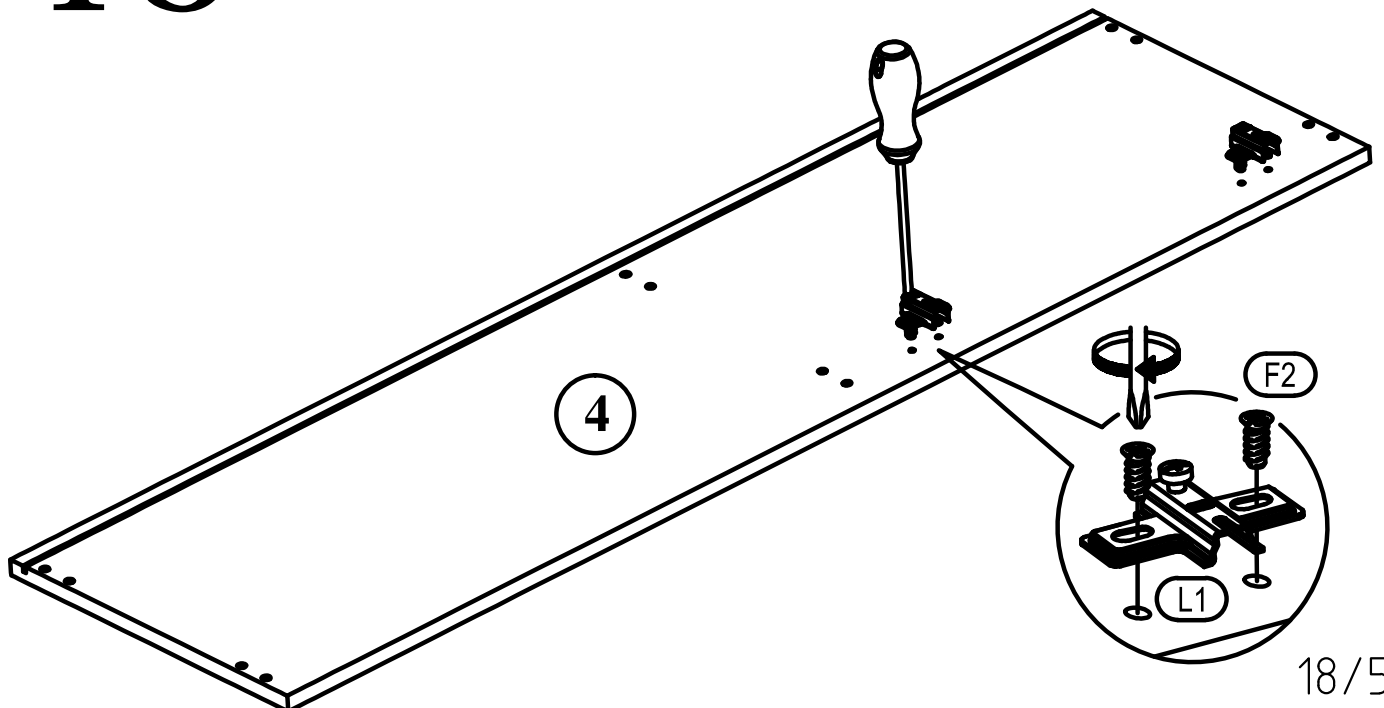
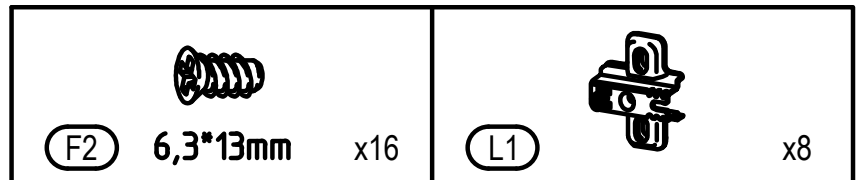
**B**

**HALI**

14






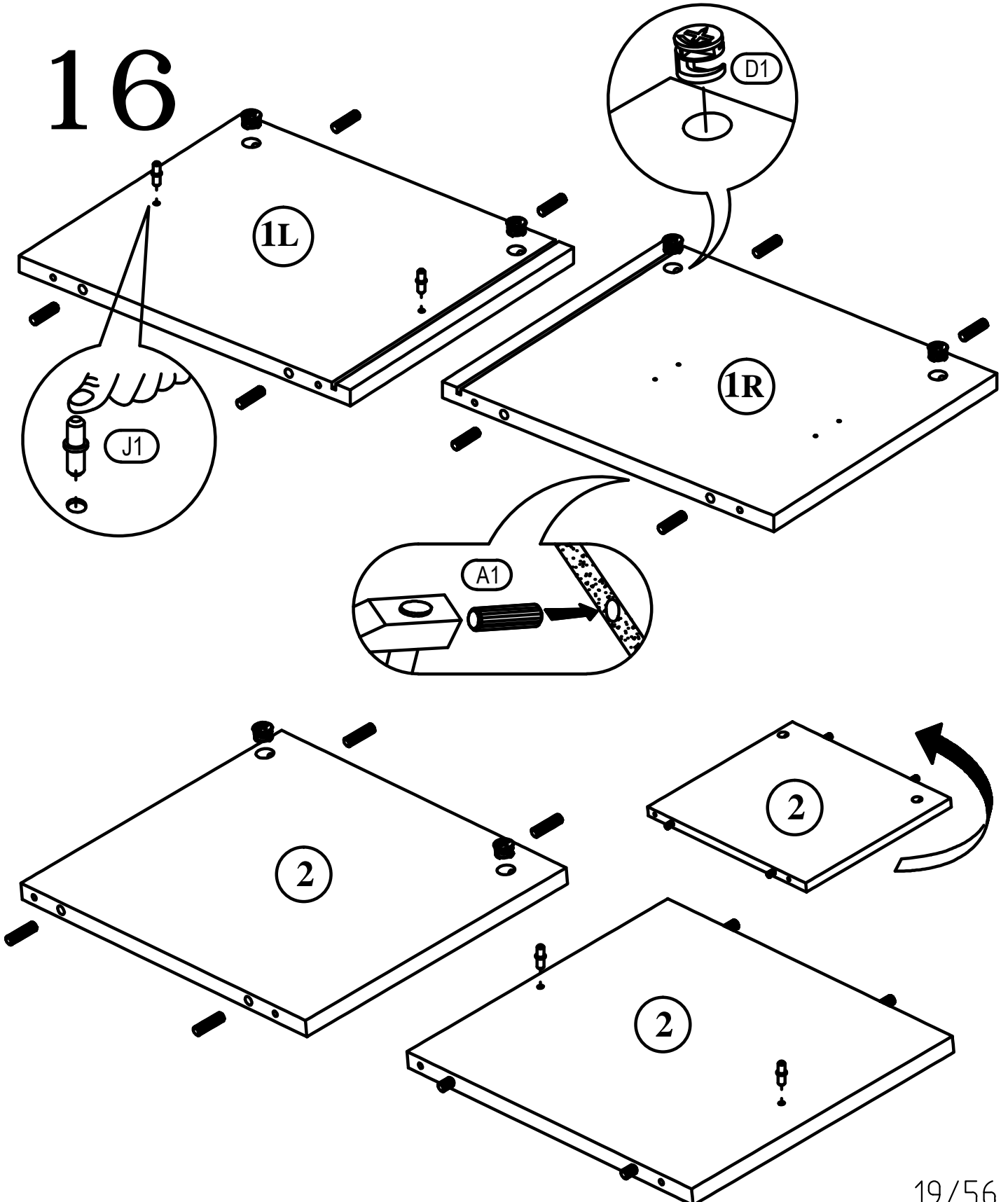
15



**B**




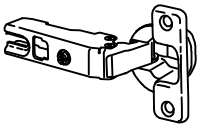
**HALI**

 <b>A1</b> 8*30mm x12	 <b>D1</b> 16mm x6	 <b>J1</b> 5*16mm x4
---	--	--

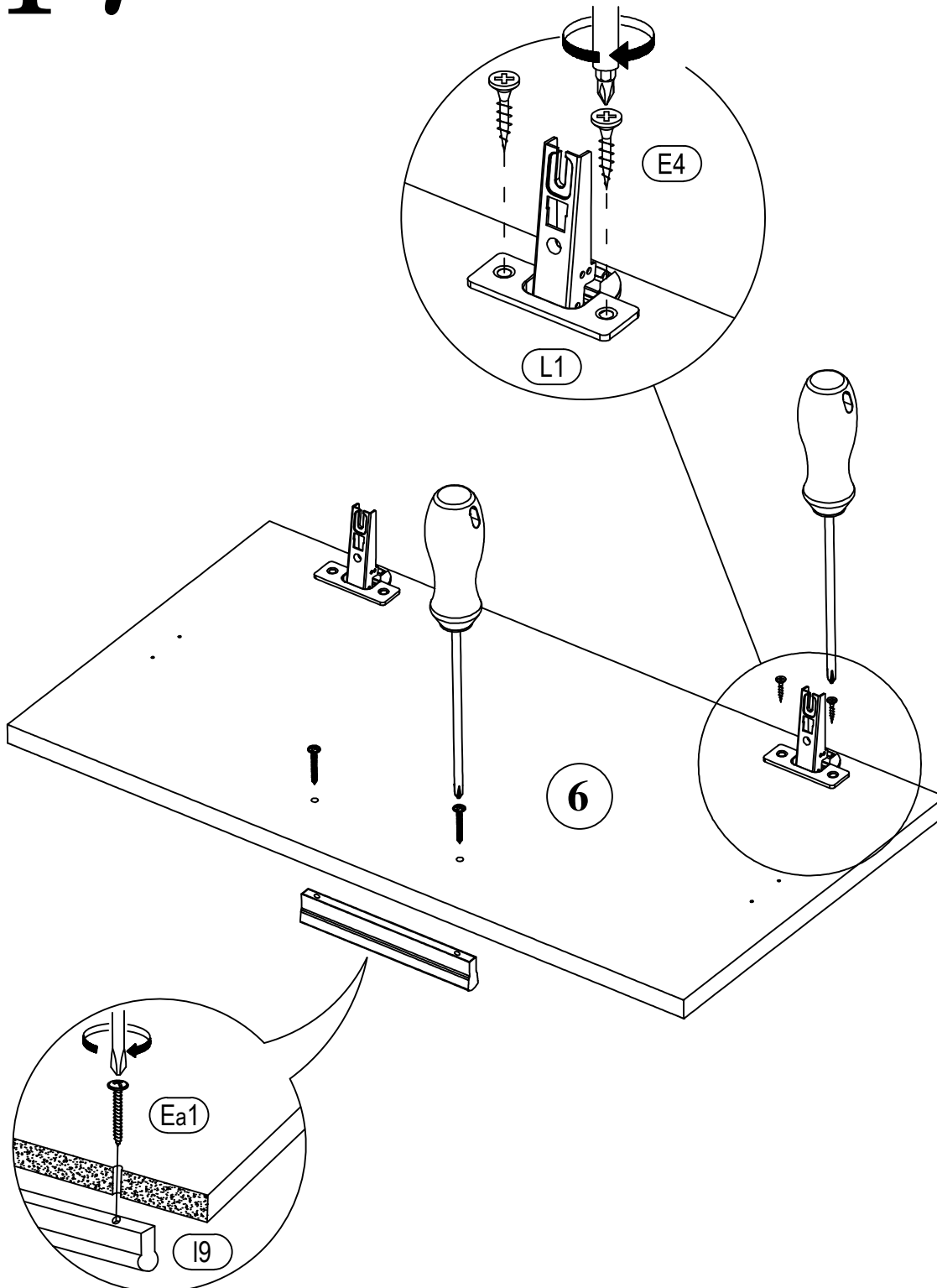


**B**

**HALI**

 <b>(E4)</b> 3,5*16 x4	 <b>(Ea1)</b> 3,5*27mm x2	 <b>(I9)</b> x1
		 <b>(L1)</b> x2


17

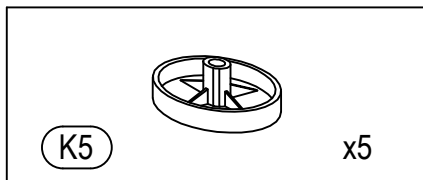
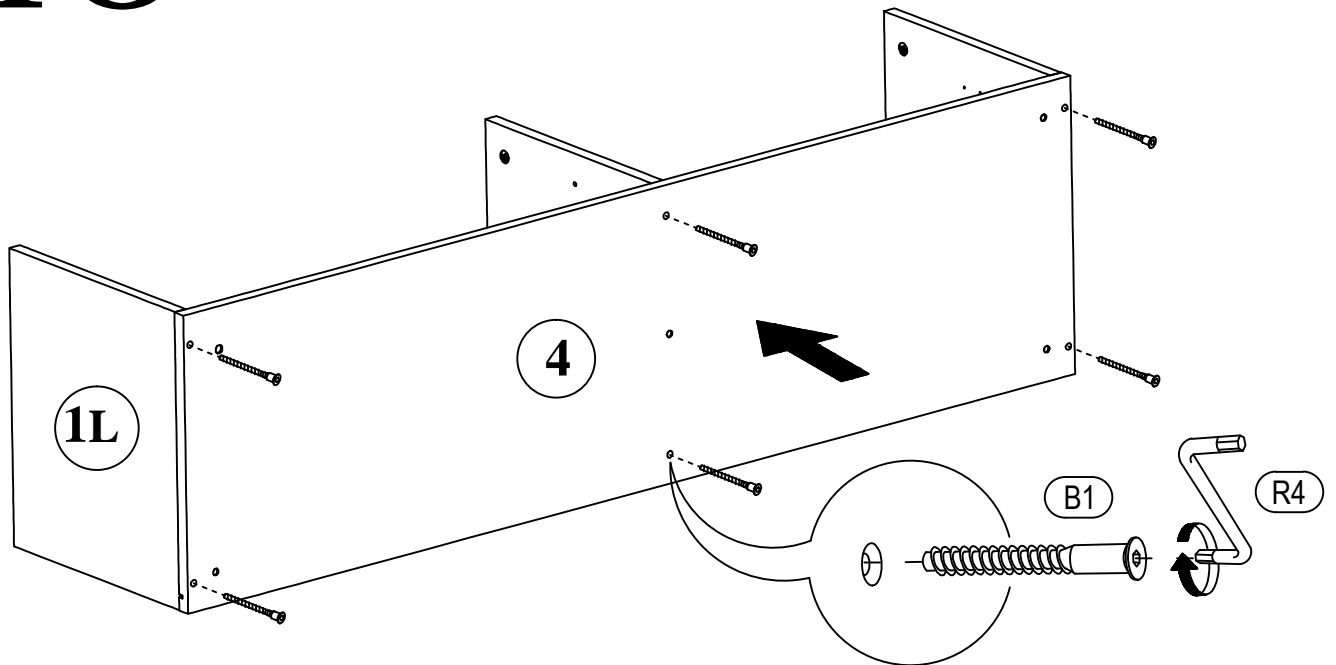


**B**

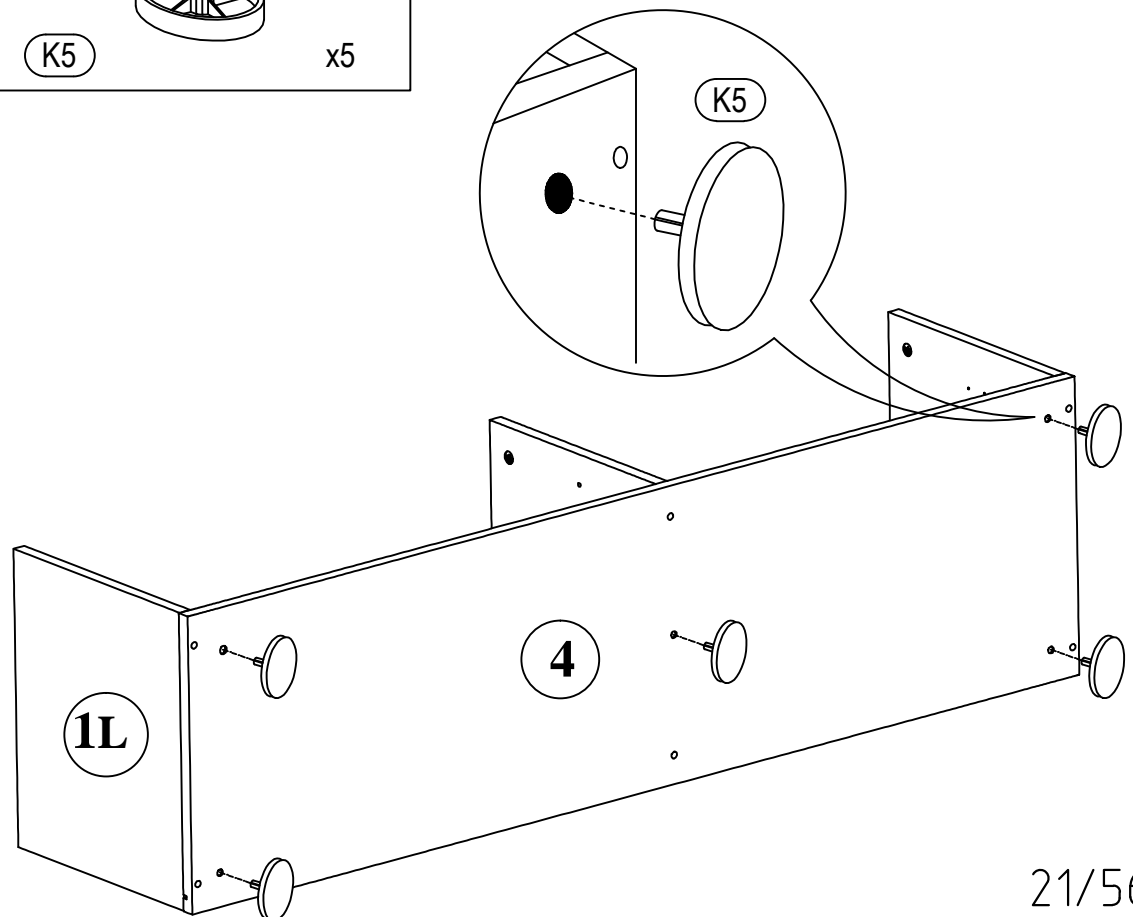
**HALI**

18

	
<b>B1</b> 6,3*50mm x6	<b>R4</b> N°4 x1



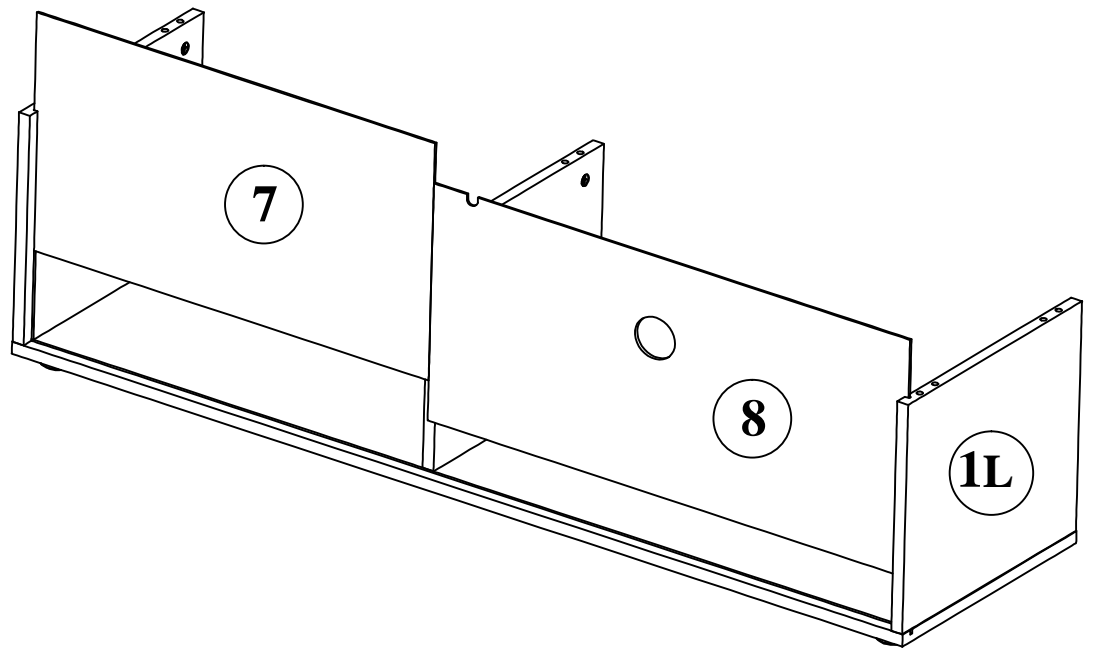
19



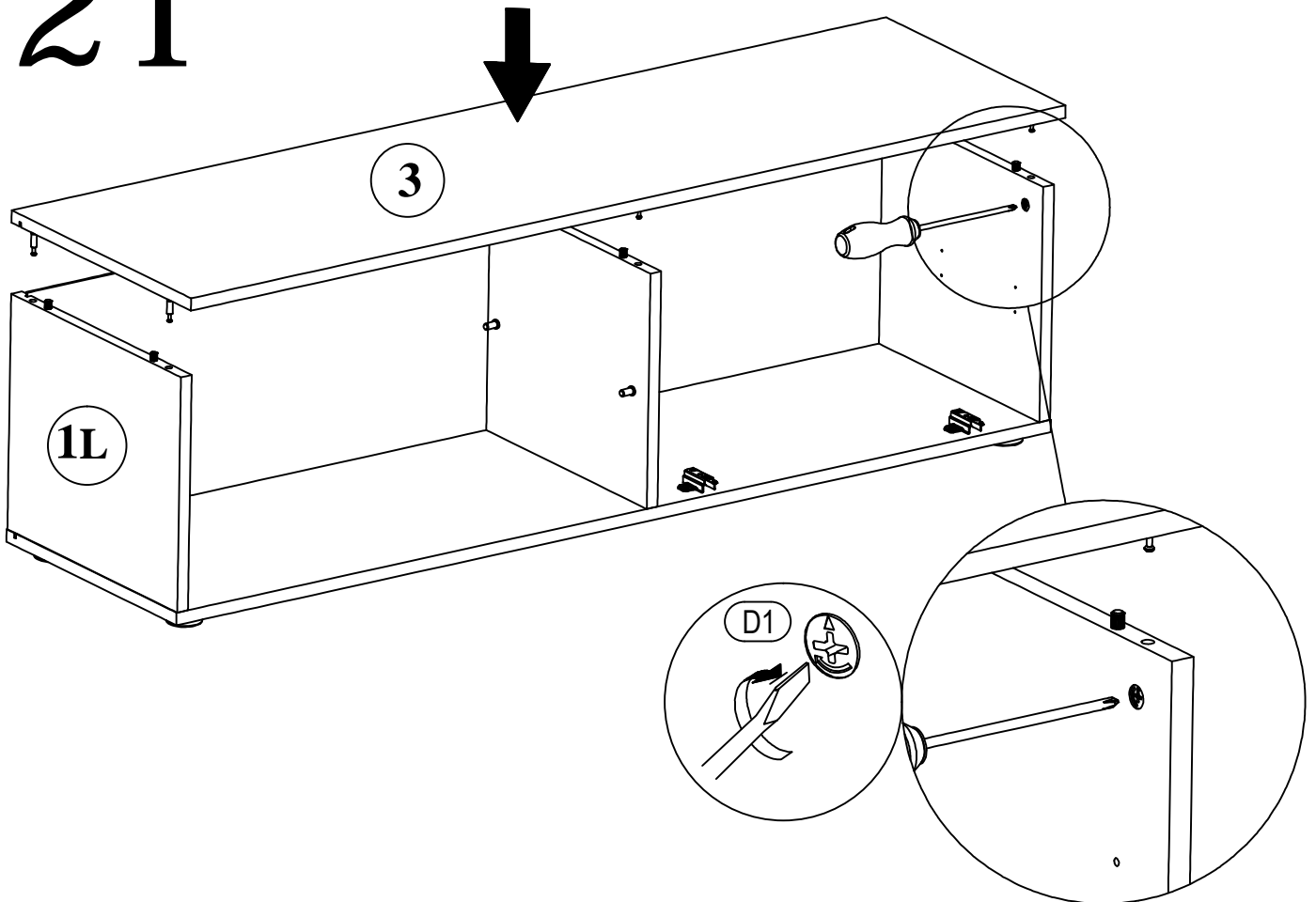
**B**

**HALI**

**20**






**21**

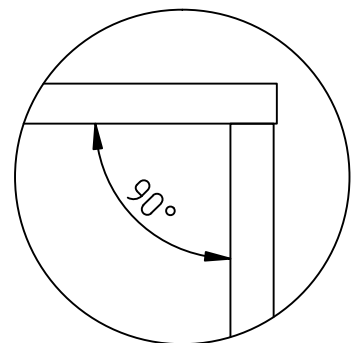
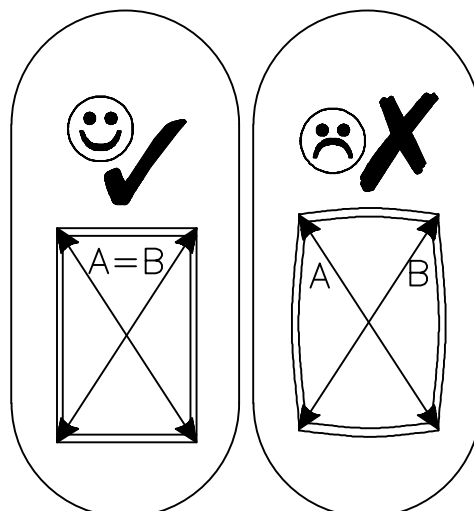
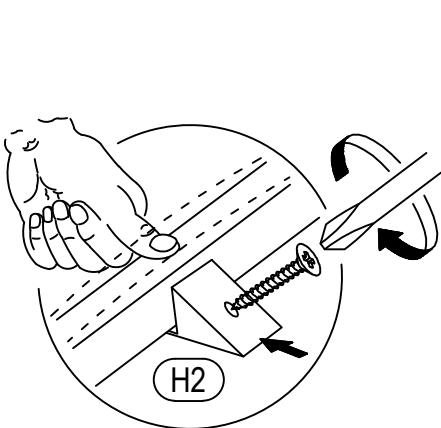
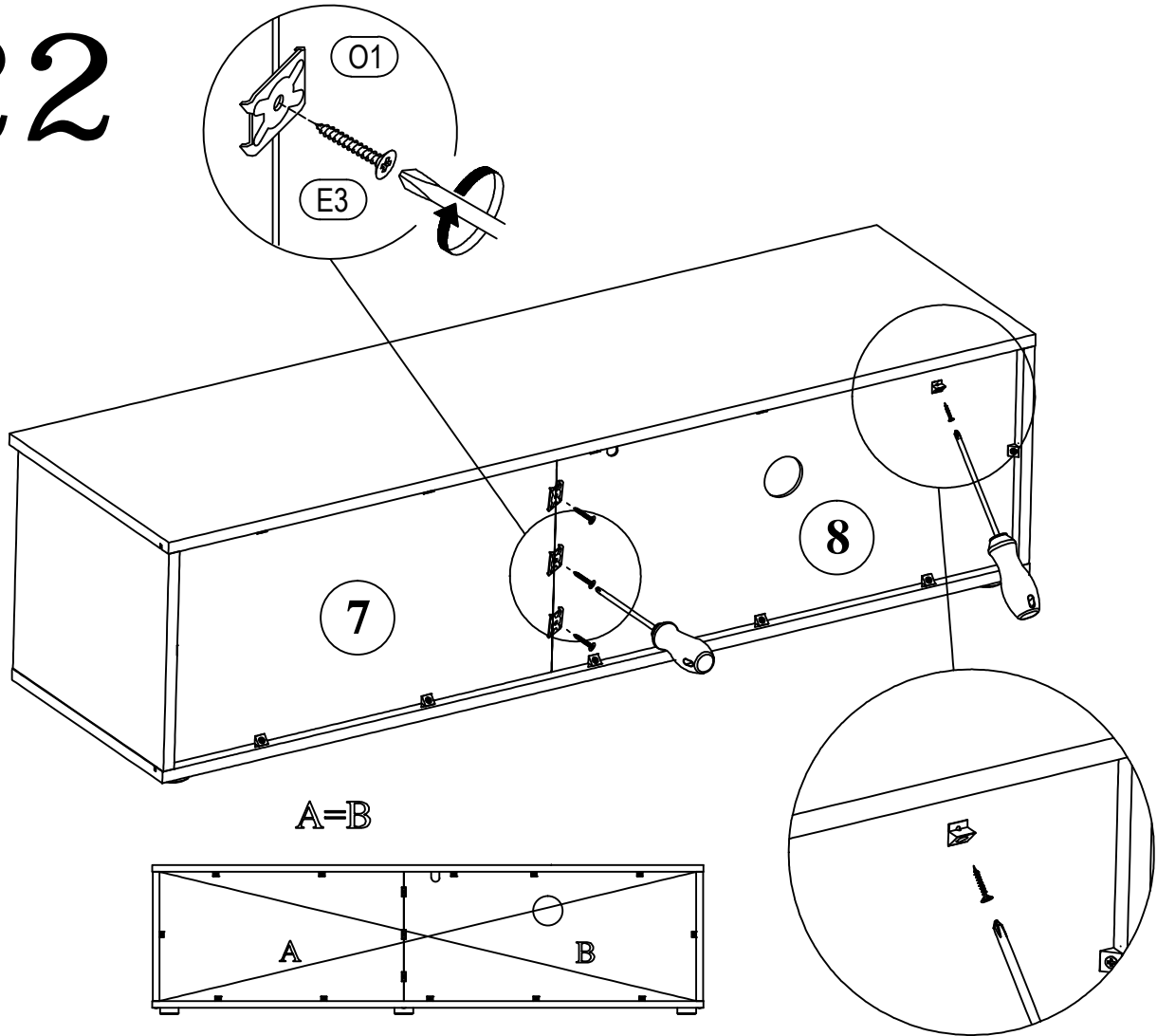


**B**

**HALI**


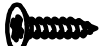



 <b>E3</b> 3*20mm x3	 <b>H2</b> x12	 <b>O1</b> x3
--	--	---

22

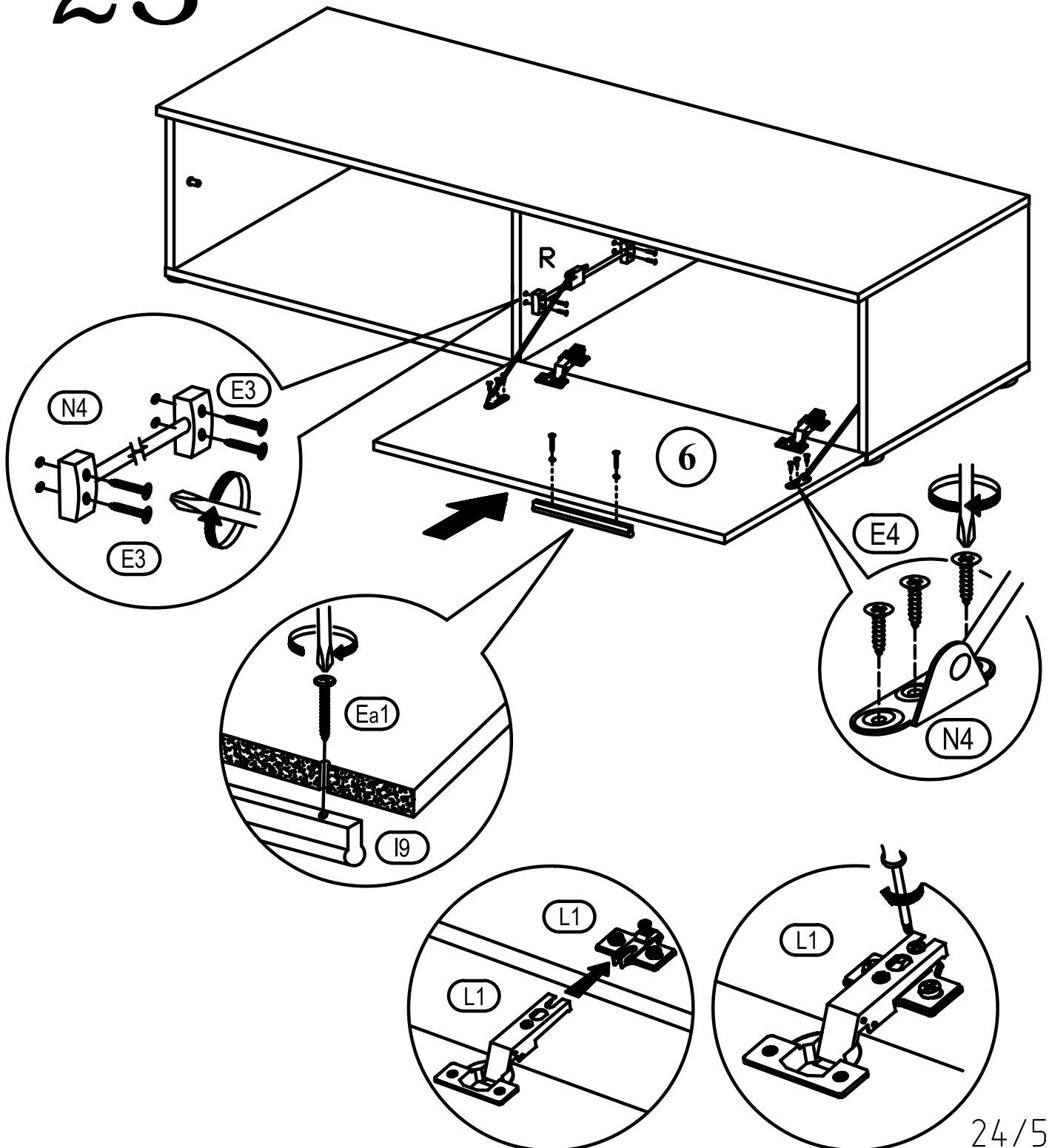


**B**




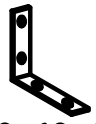
**HALI**

 <b>E3</b> 3*20mm x8	 <b>E4</b> 3,5*16 x6	 <b>Ea1</b> 3,5*27mm x2
	 <b>I9</b> x1	 <b>N4</b> 1R+1L x1

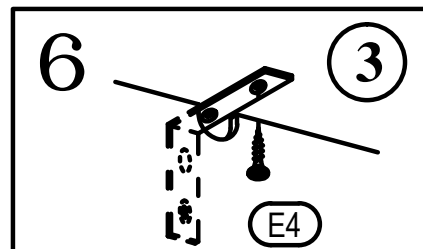
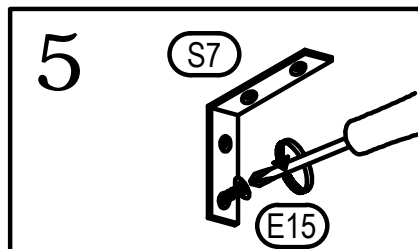
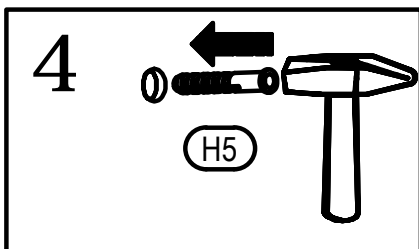
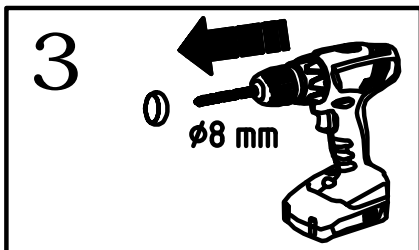
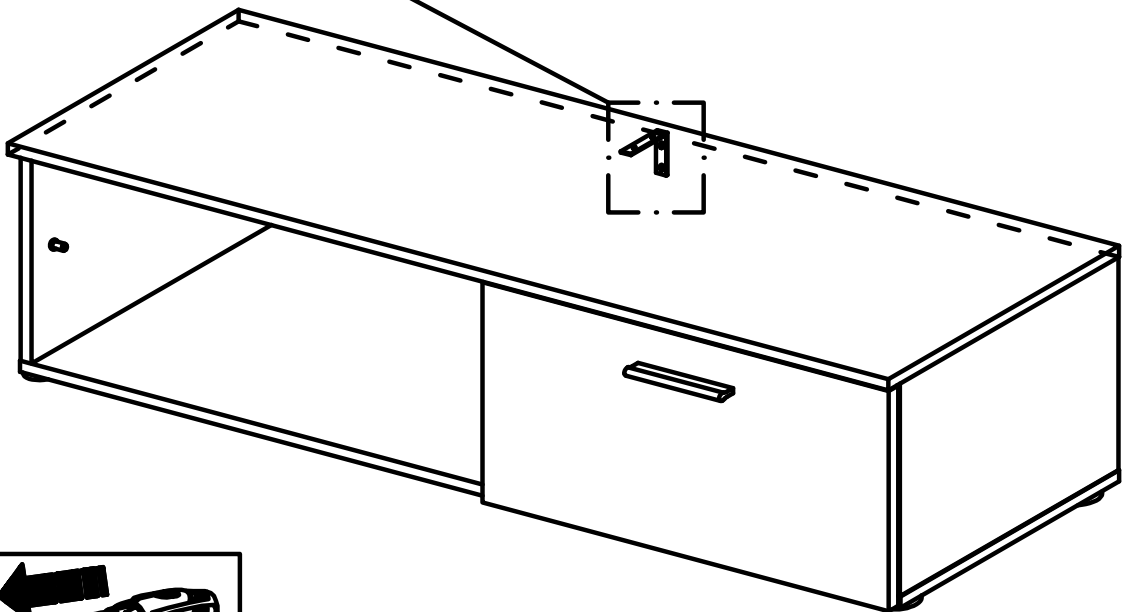
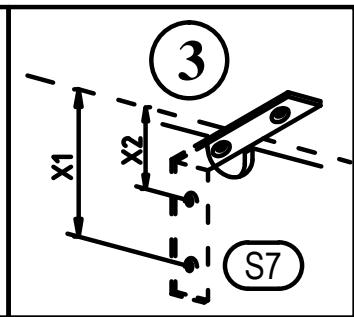
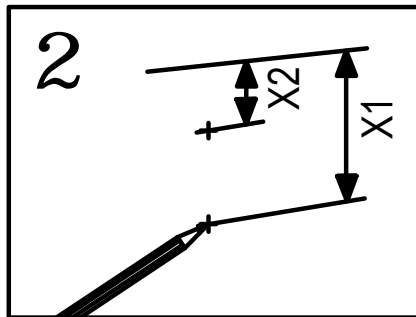
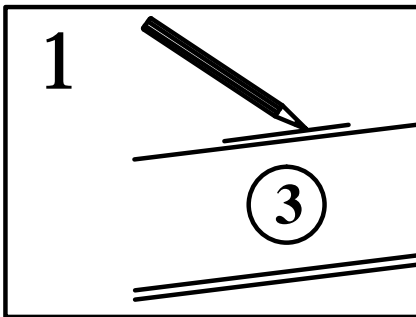
23





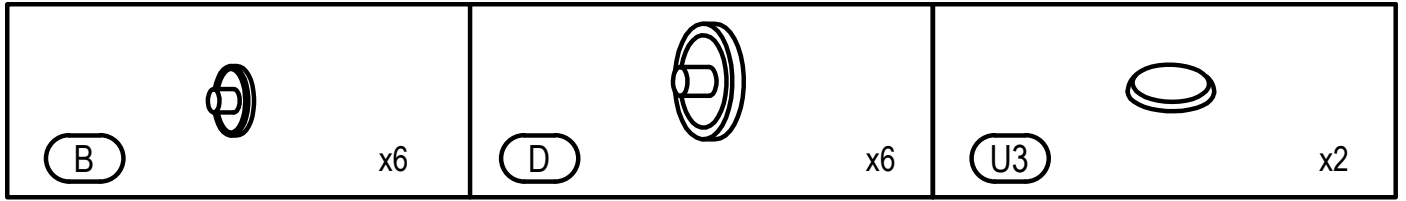
 E4 3,5*16 x1	 E15 4*60mm x1	 H5 8*50mm x1
		 S7 60x60x15 x1

# 24

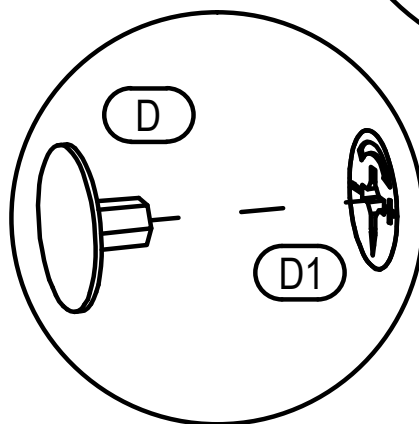
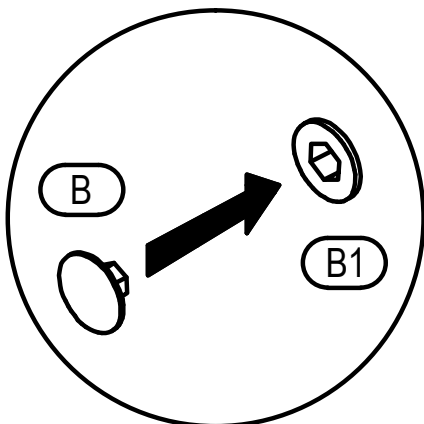
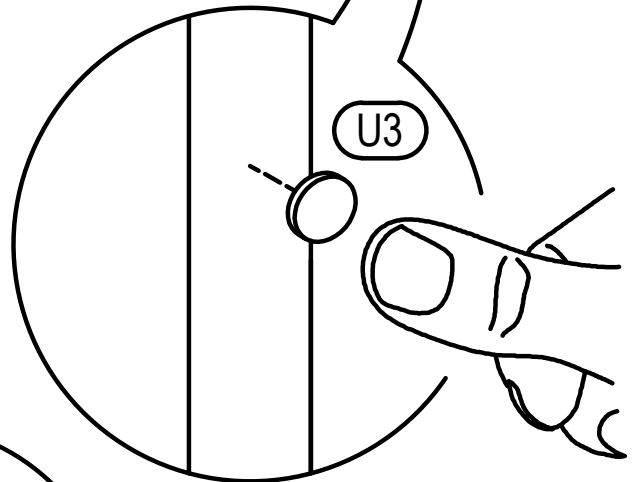
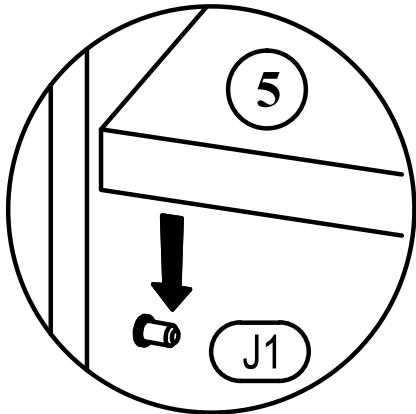
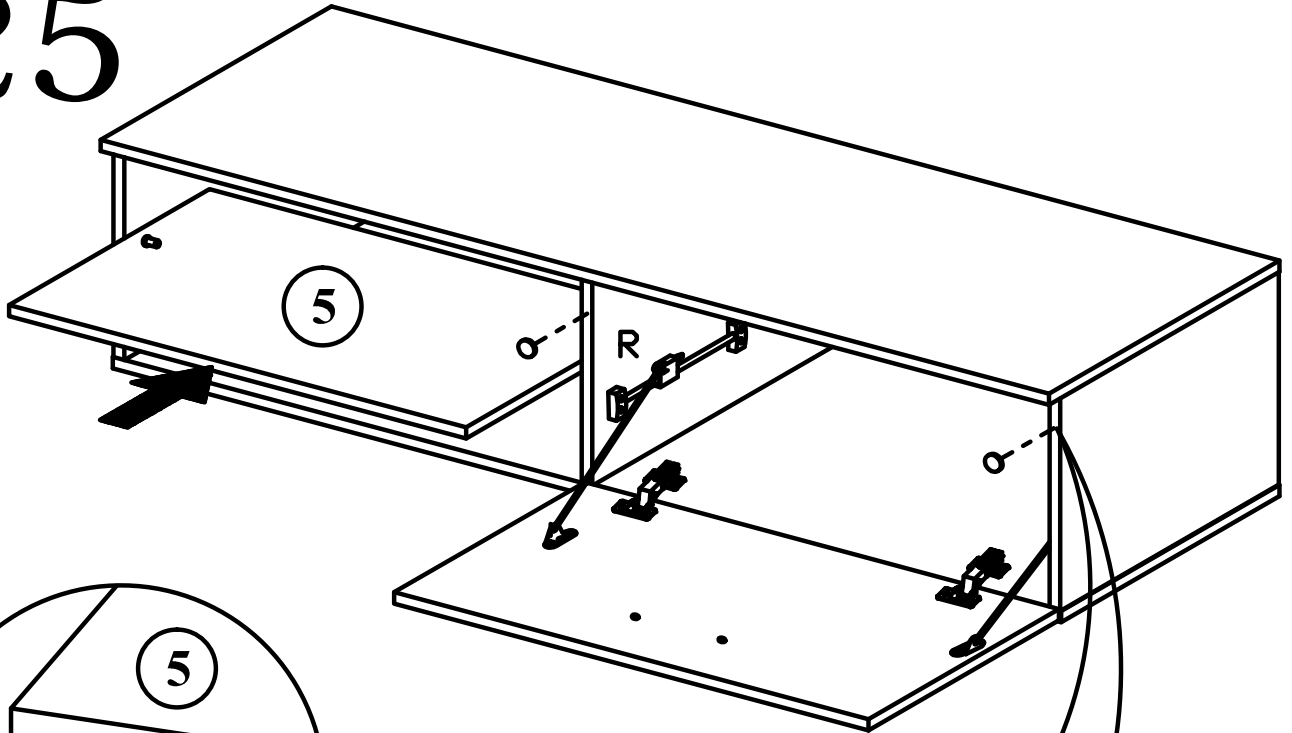


**B**

**HALI**



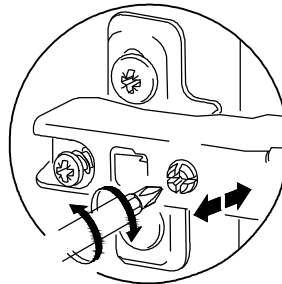
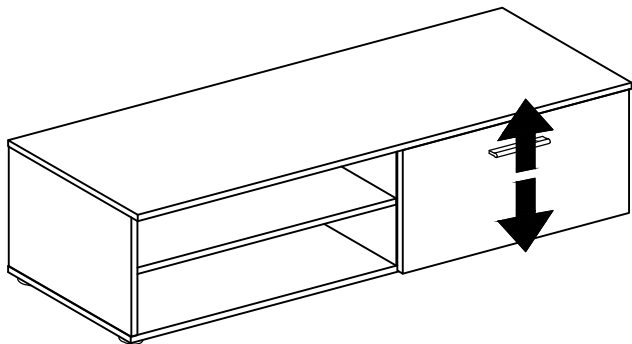
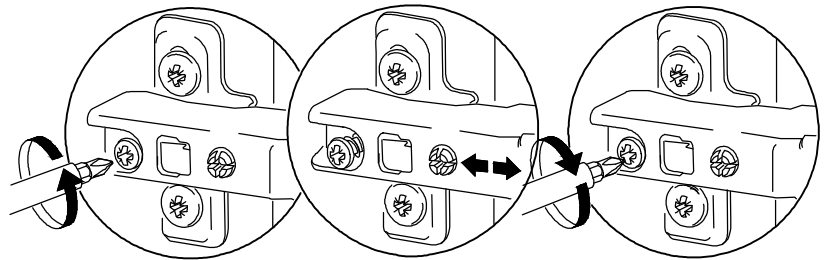
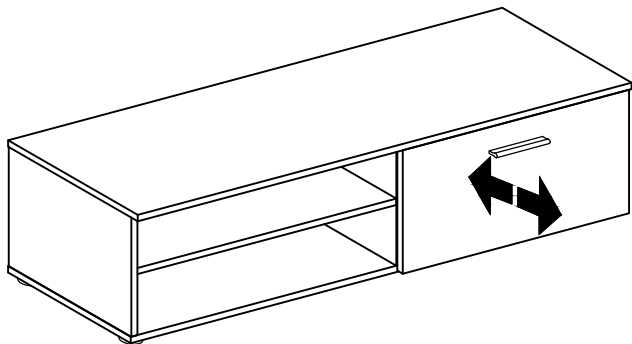
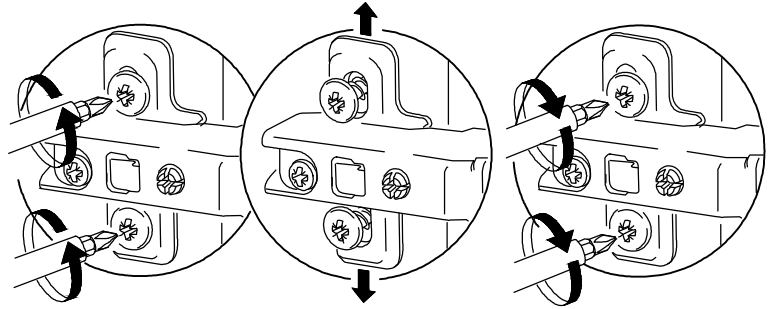
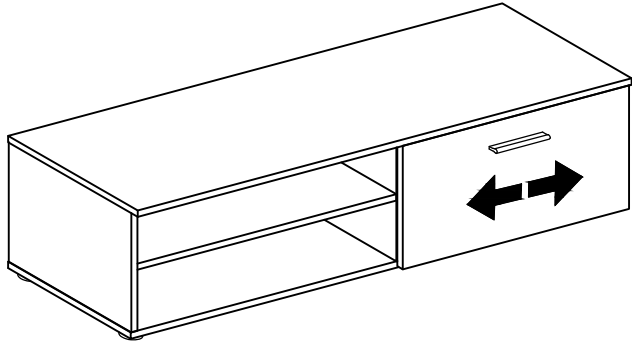
25



**B**

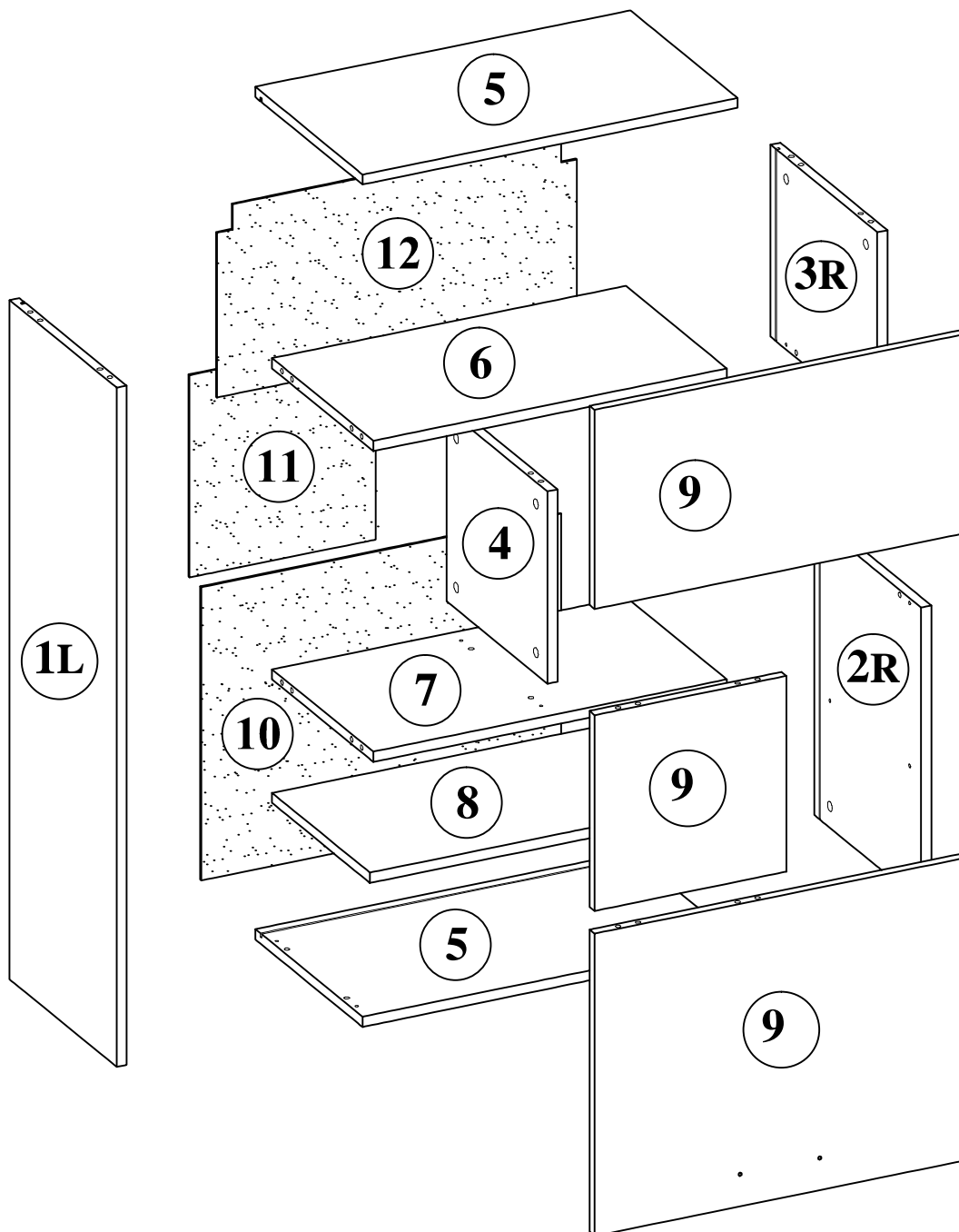
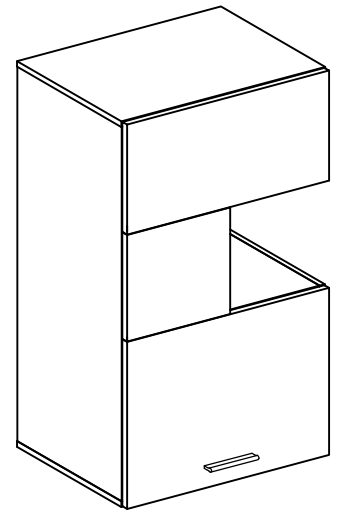
**HALI**

26




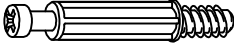

**C**

**HALI**

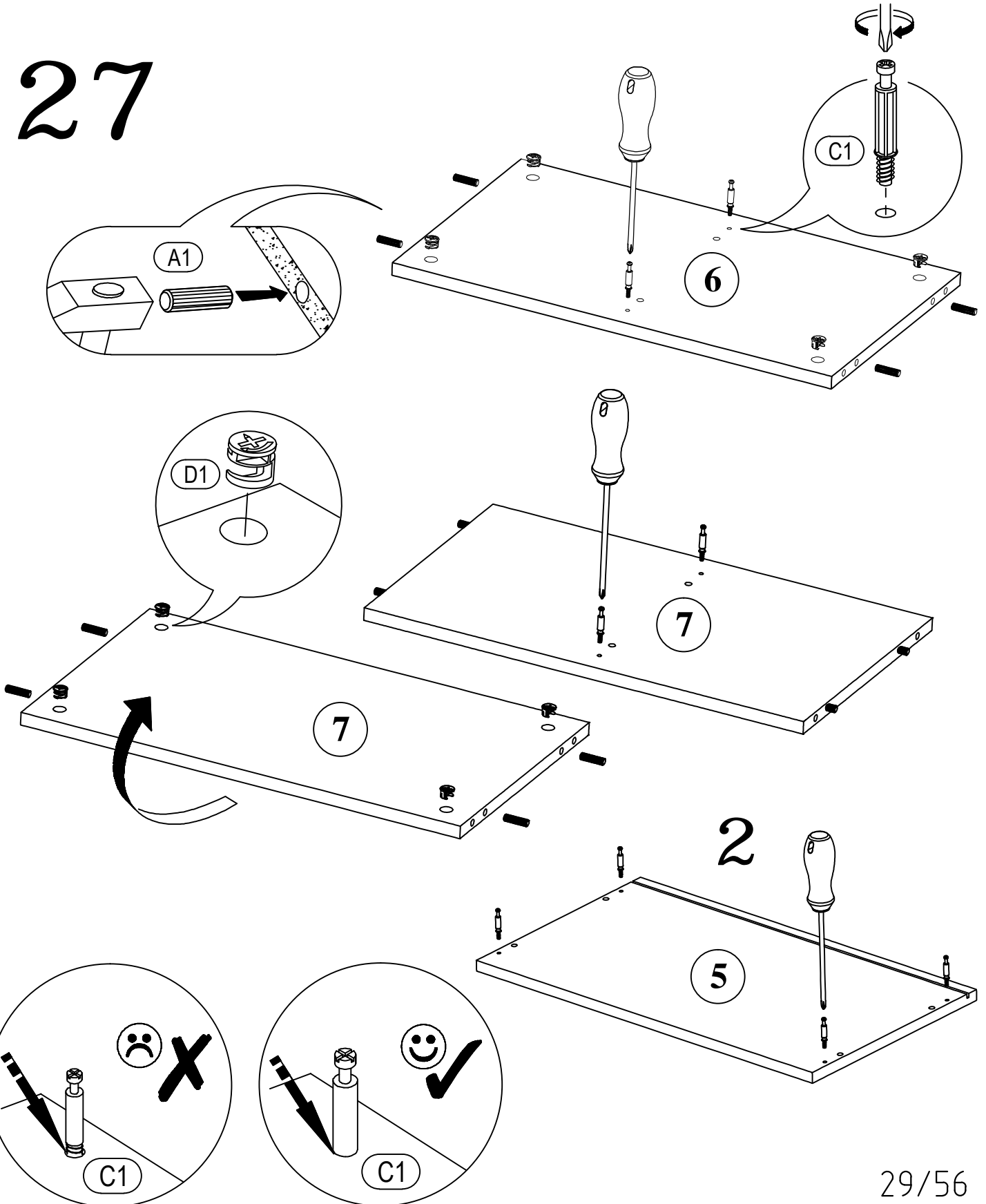



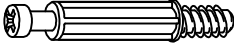




# C

HALI

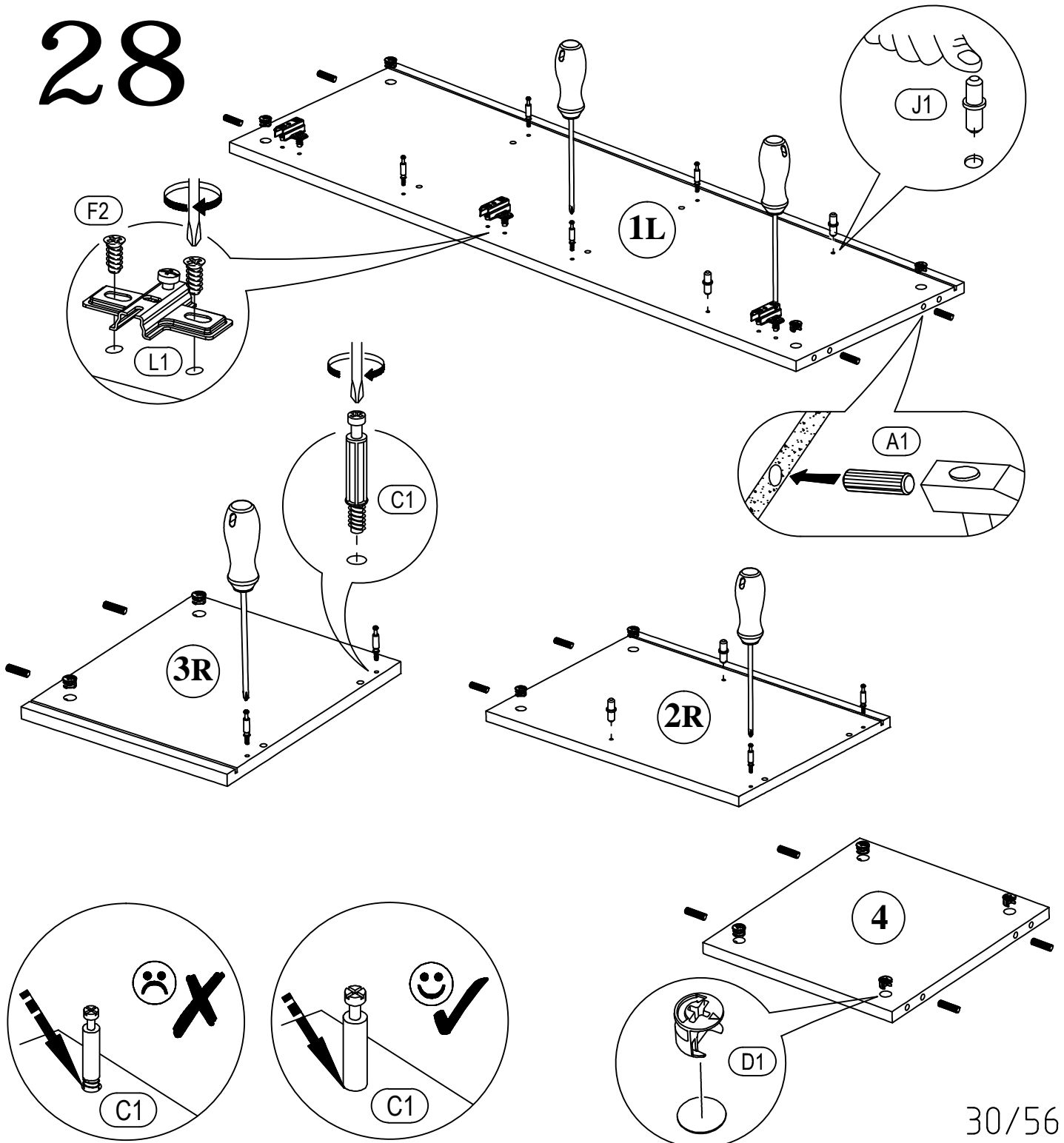
 A1 8*30mm x8	 C1 5*30mm x12	 D1 16mm x8
---	--	---


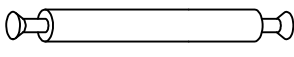

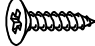
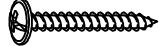

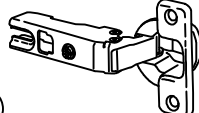
# 27



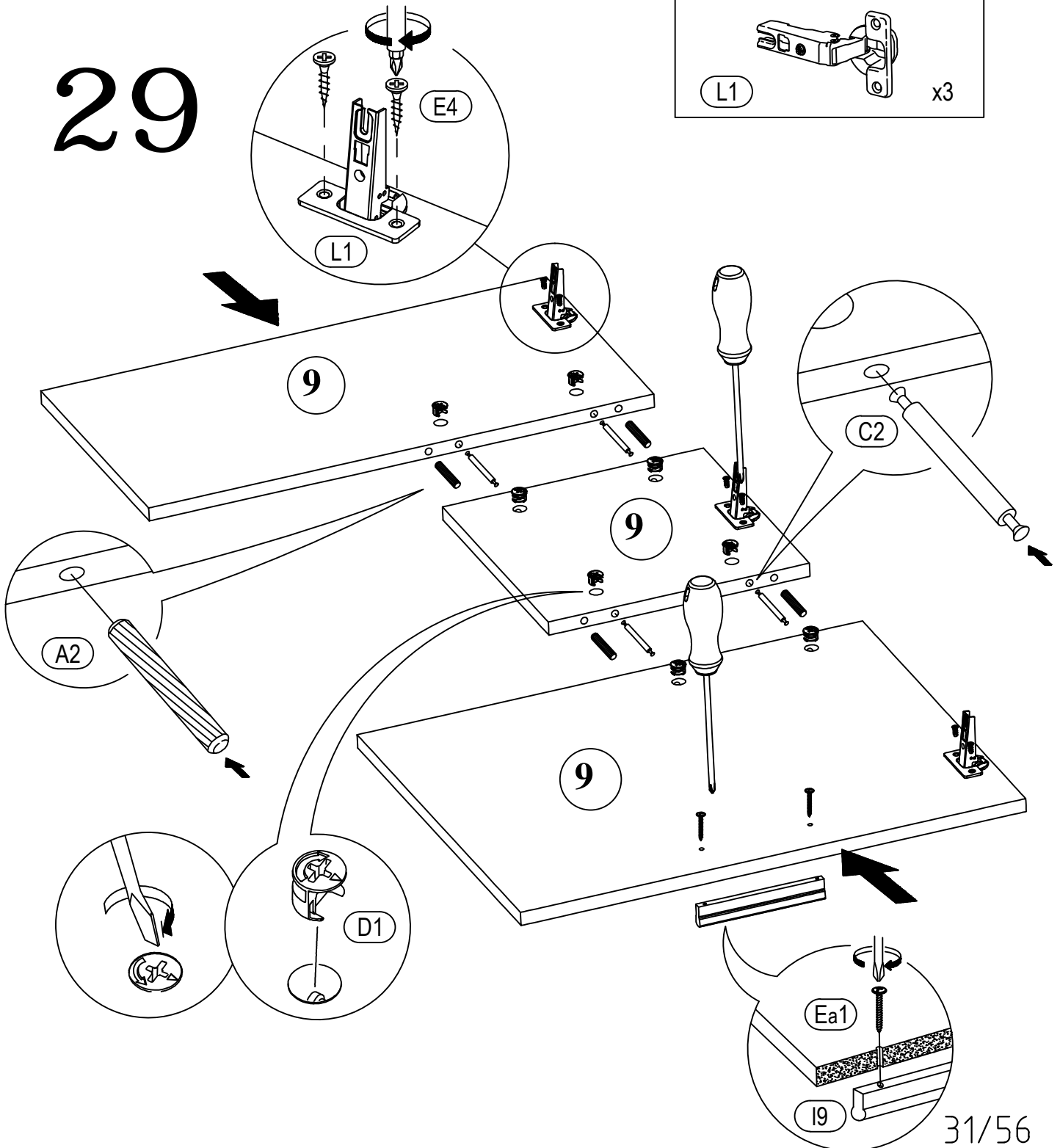
 (A1) 8*30mm x8	 (C1) 5*30mm x8	 (D1) 16mm x12
 (F2) 6,3*13mm x6	 (J1) 5*16mm x4	 (L1) x3

# 28

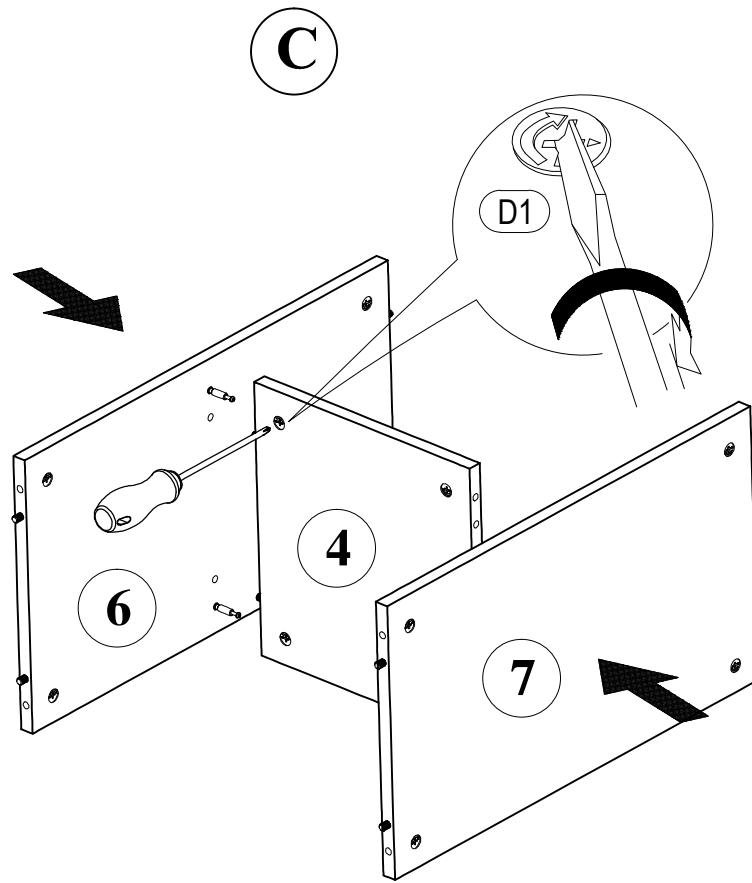


 (A2) 8*50mm x4	 (C2) 8*56mm x4	 (D1) 16mm x8
 (E4) 3,5*16 x6	 (Ea1) 3,5*27mm x2	 (I9) x1
		 (L1) x3

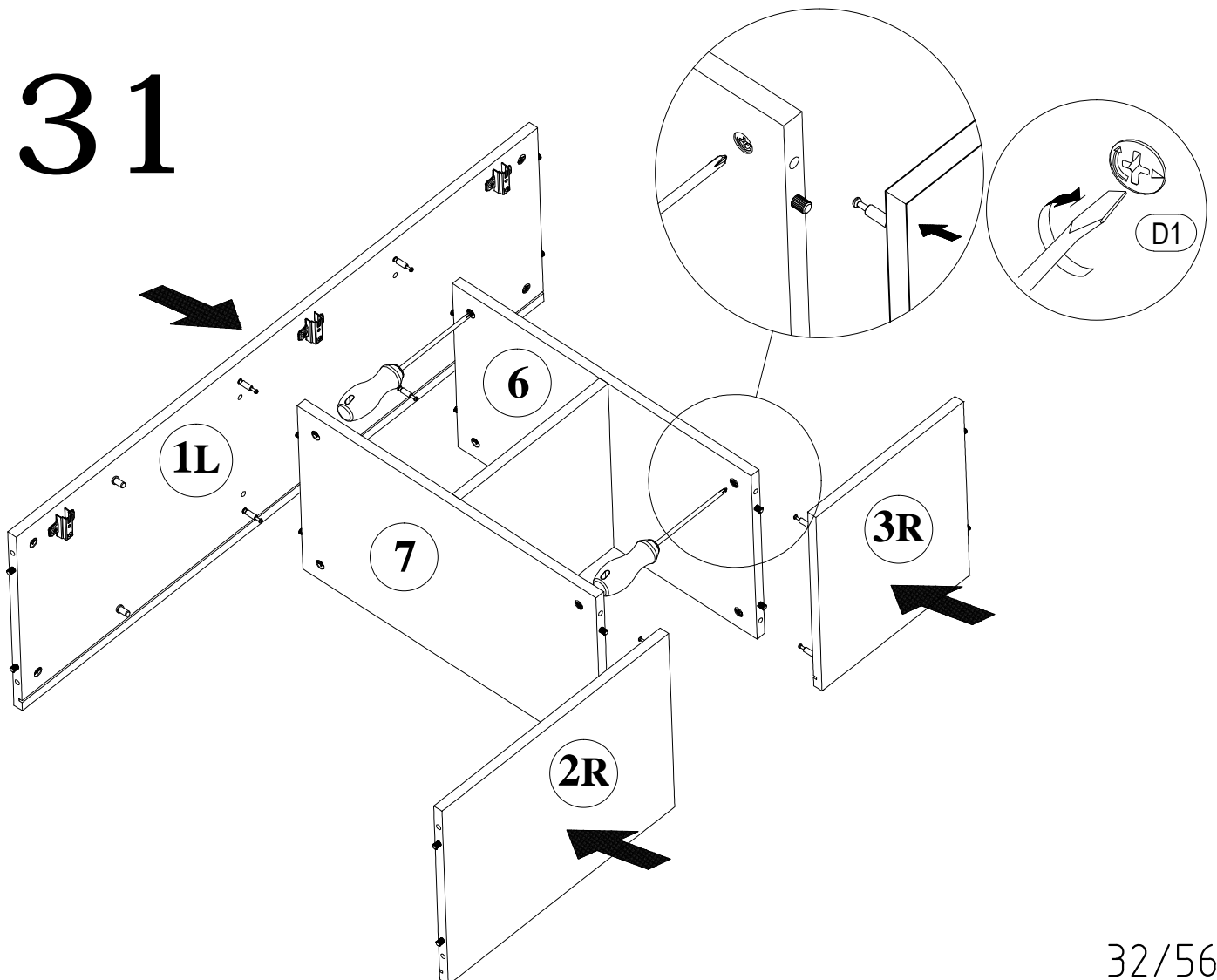
29



30



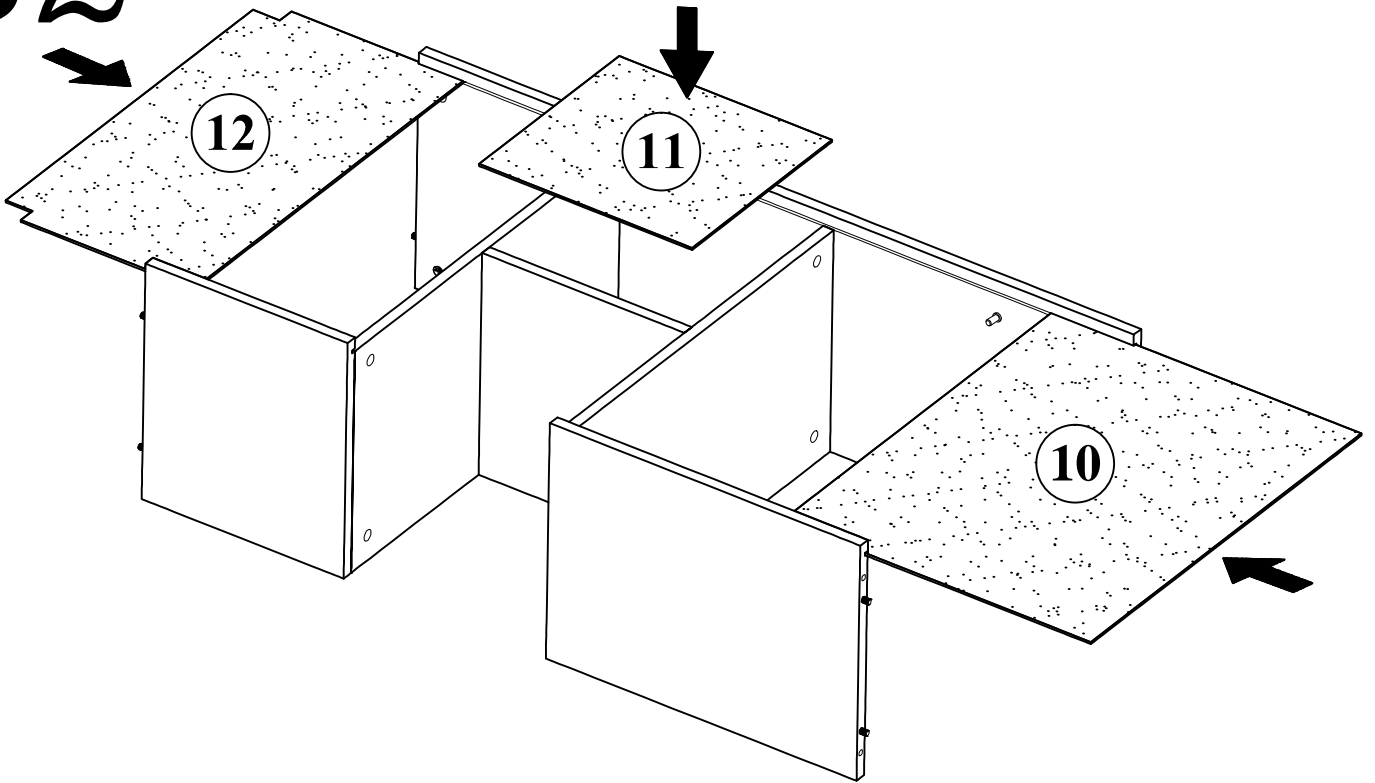
31



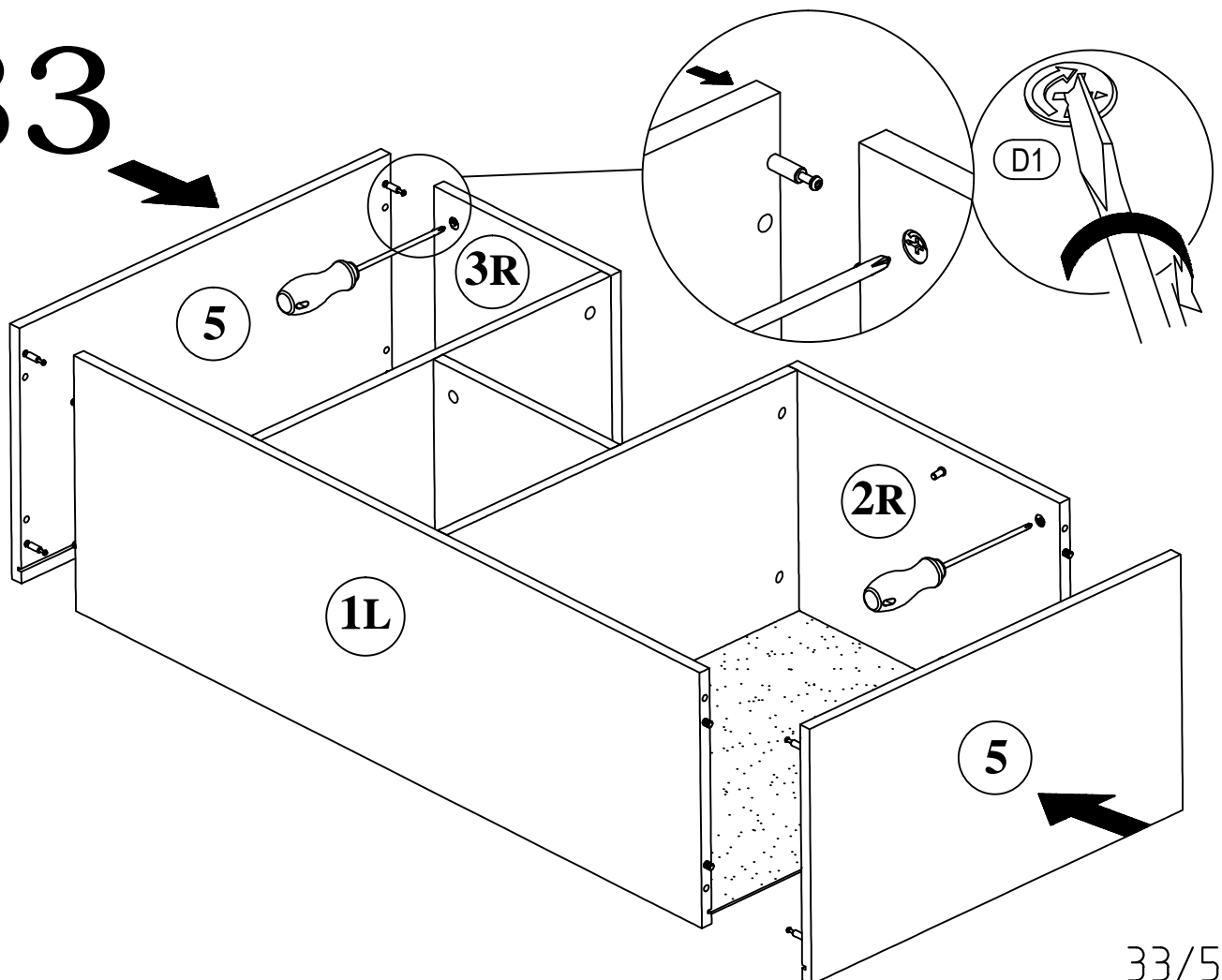


C

32







33



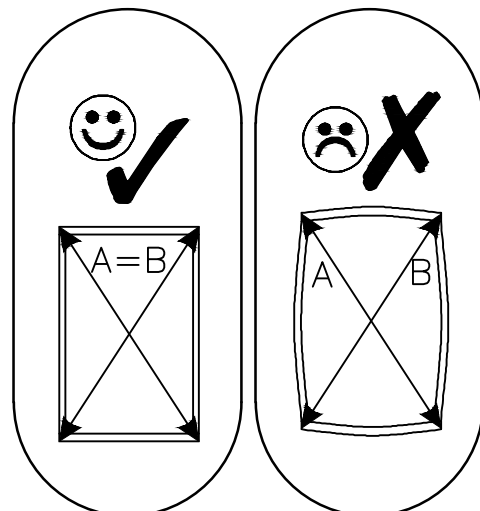
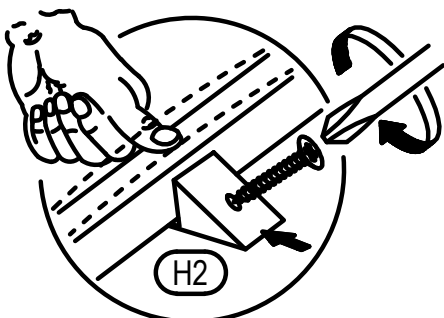
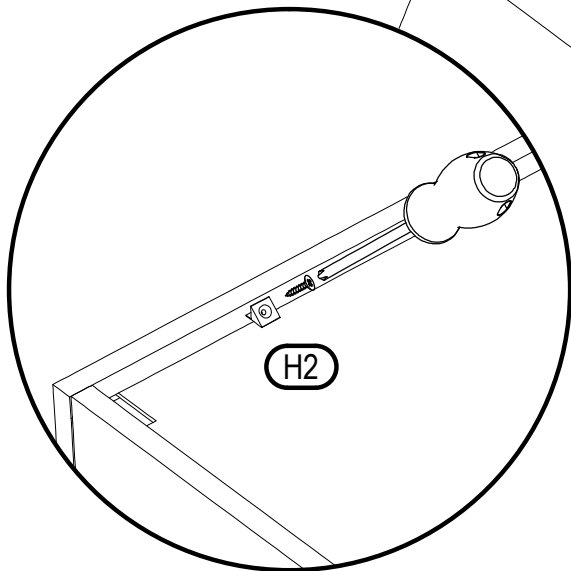
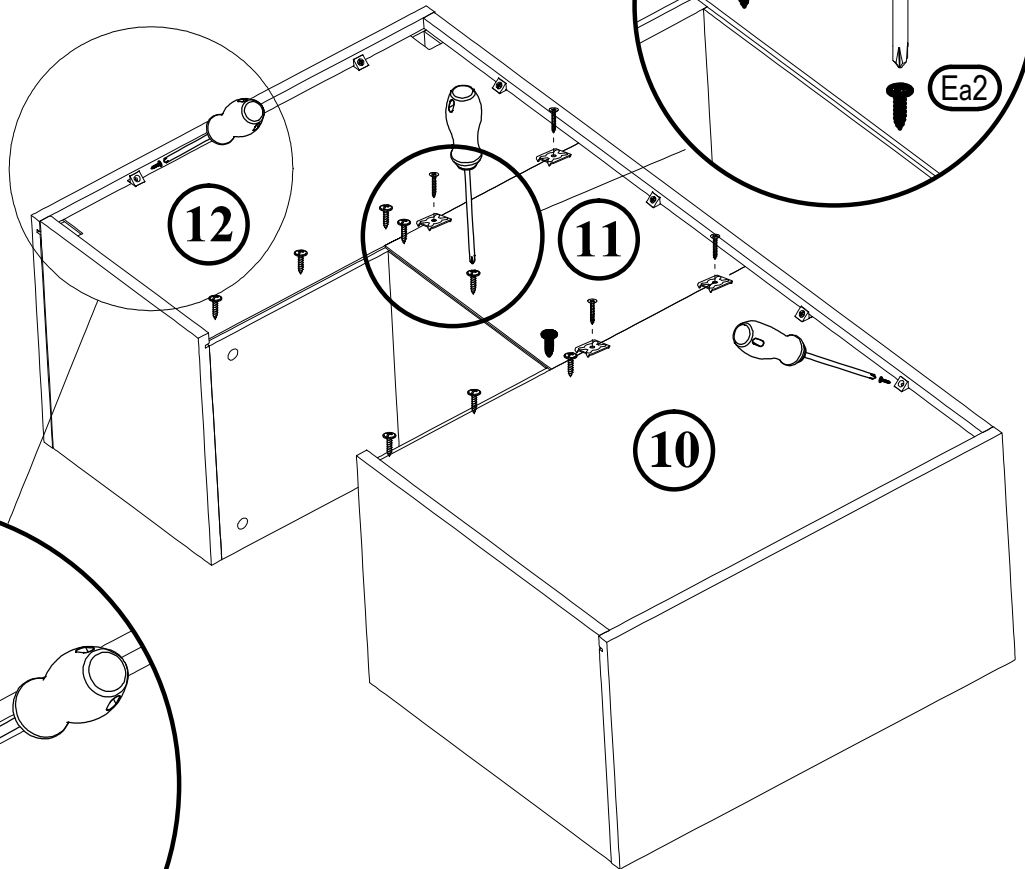
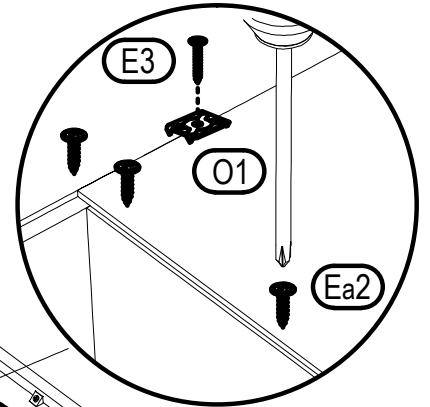
C

HALI

 E3 3*20mm x4	 Ea2 4,2*16mm x9	 H2 x11
---	--	---


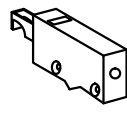
 O1 x4
--

34

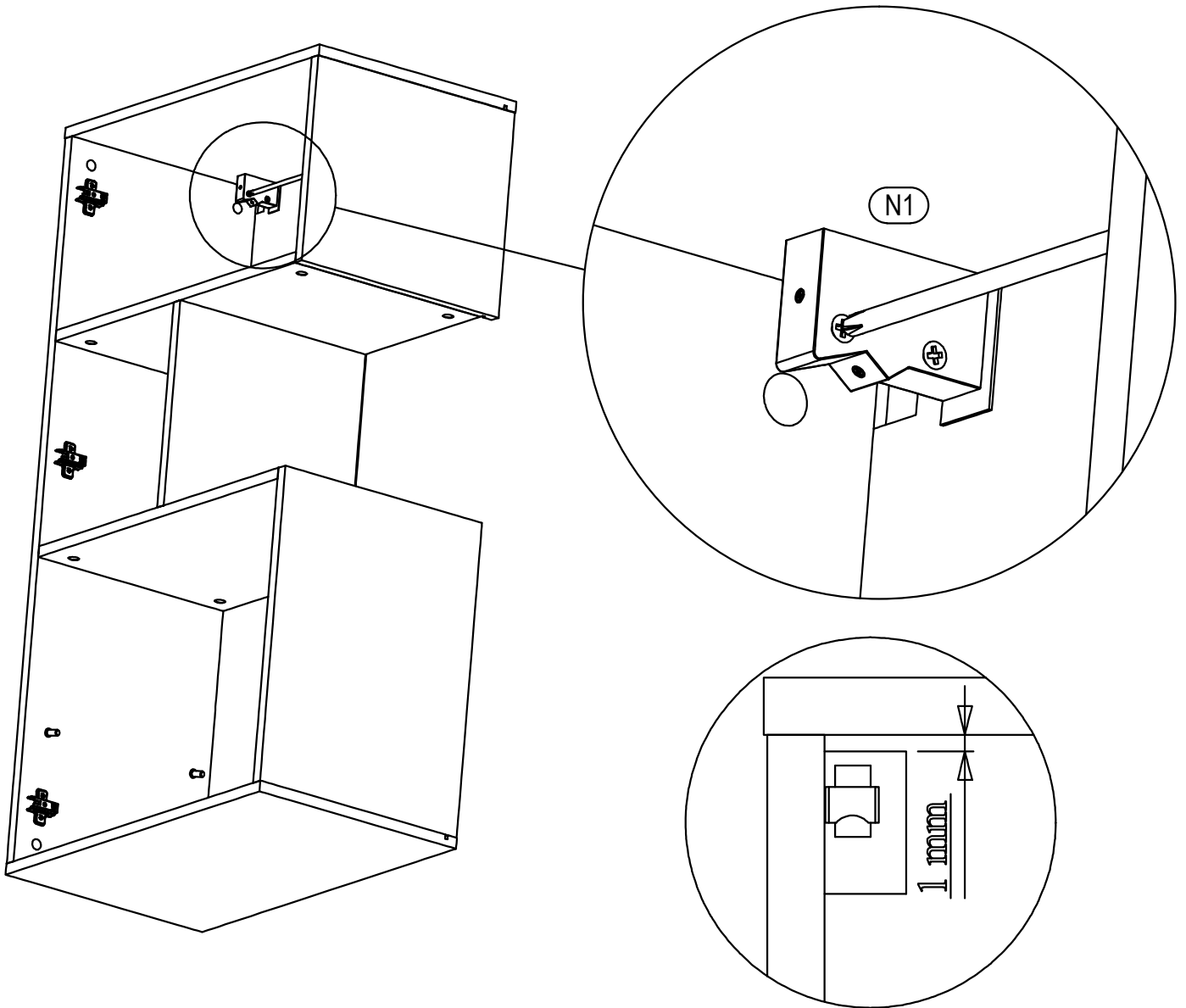


C

HALI

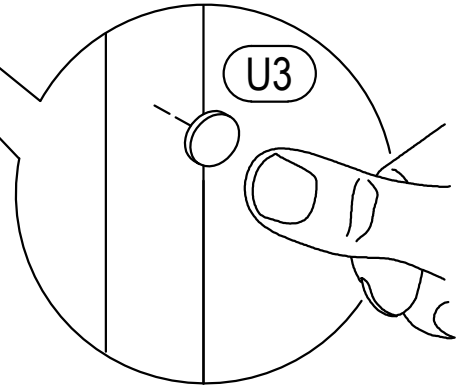
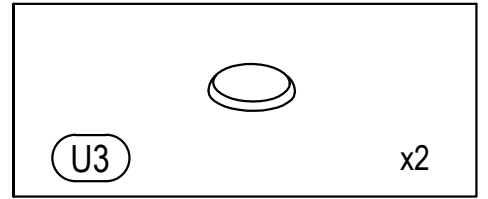
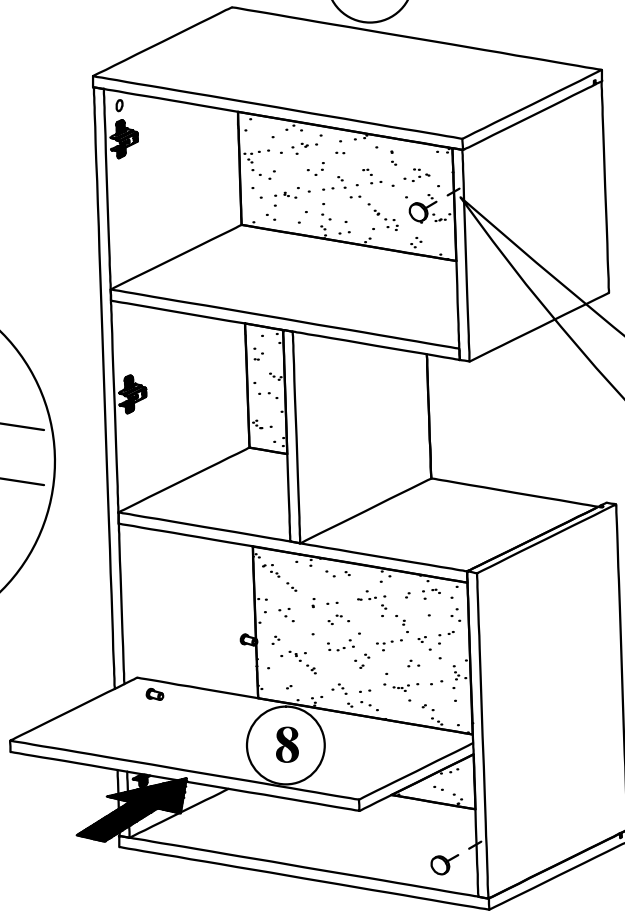
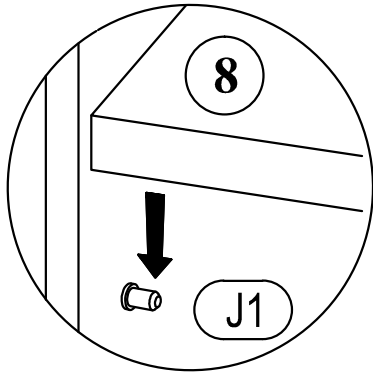
	
(E11) 4*30mm x4	(N1) x2

35

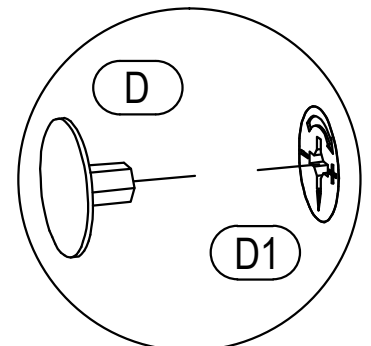
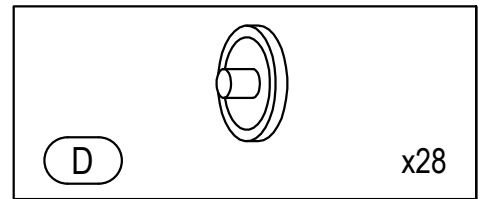
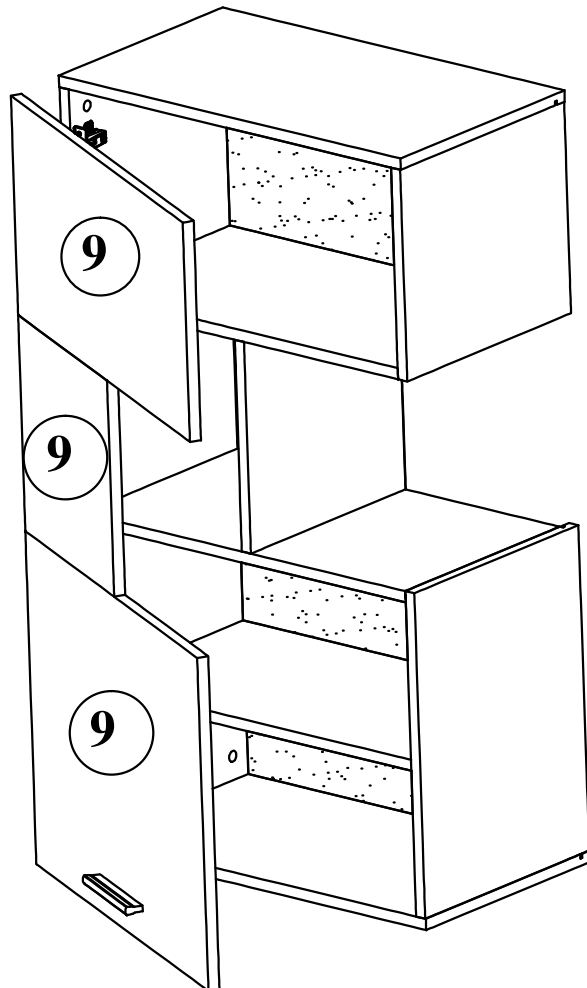
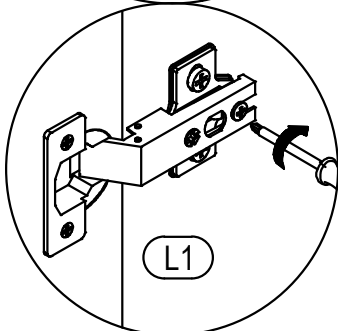
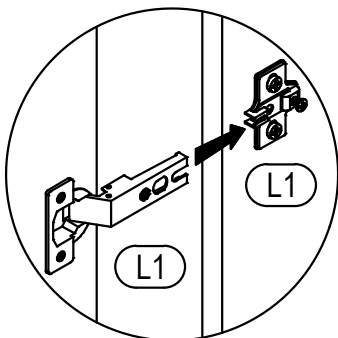


36

C



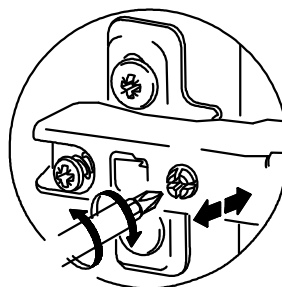
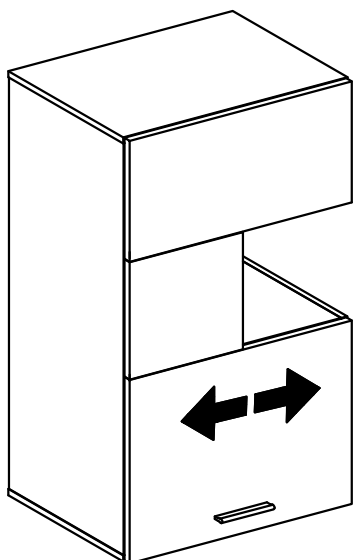
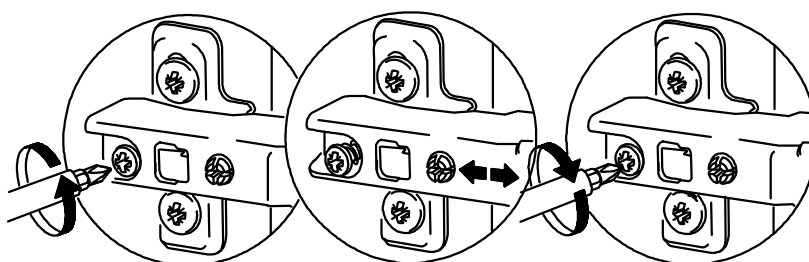
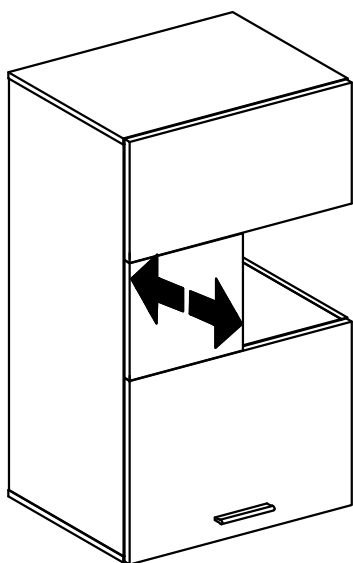
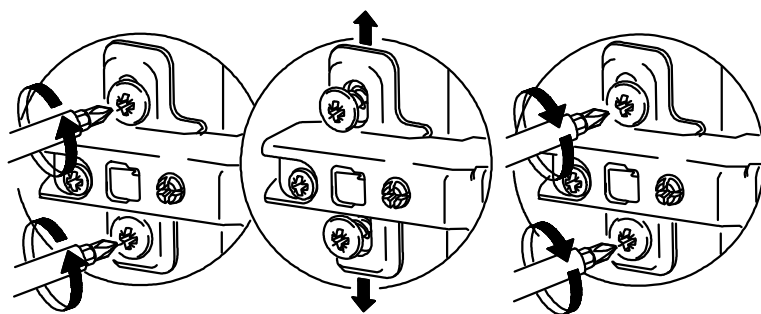
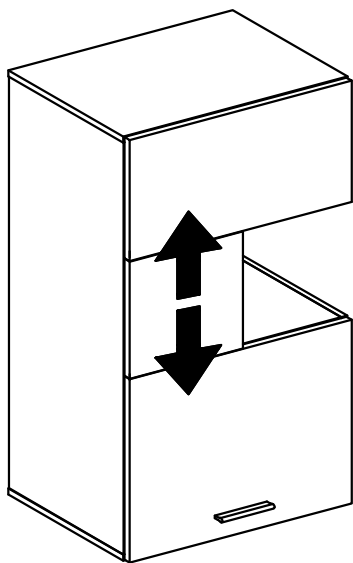
37



# 38

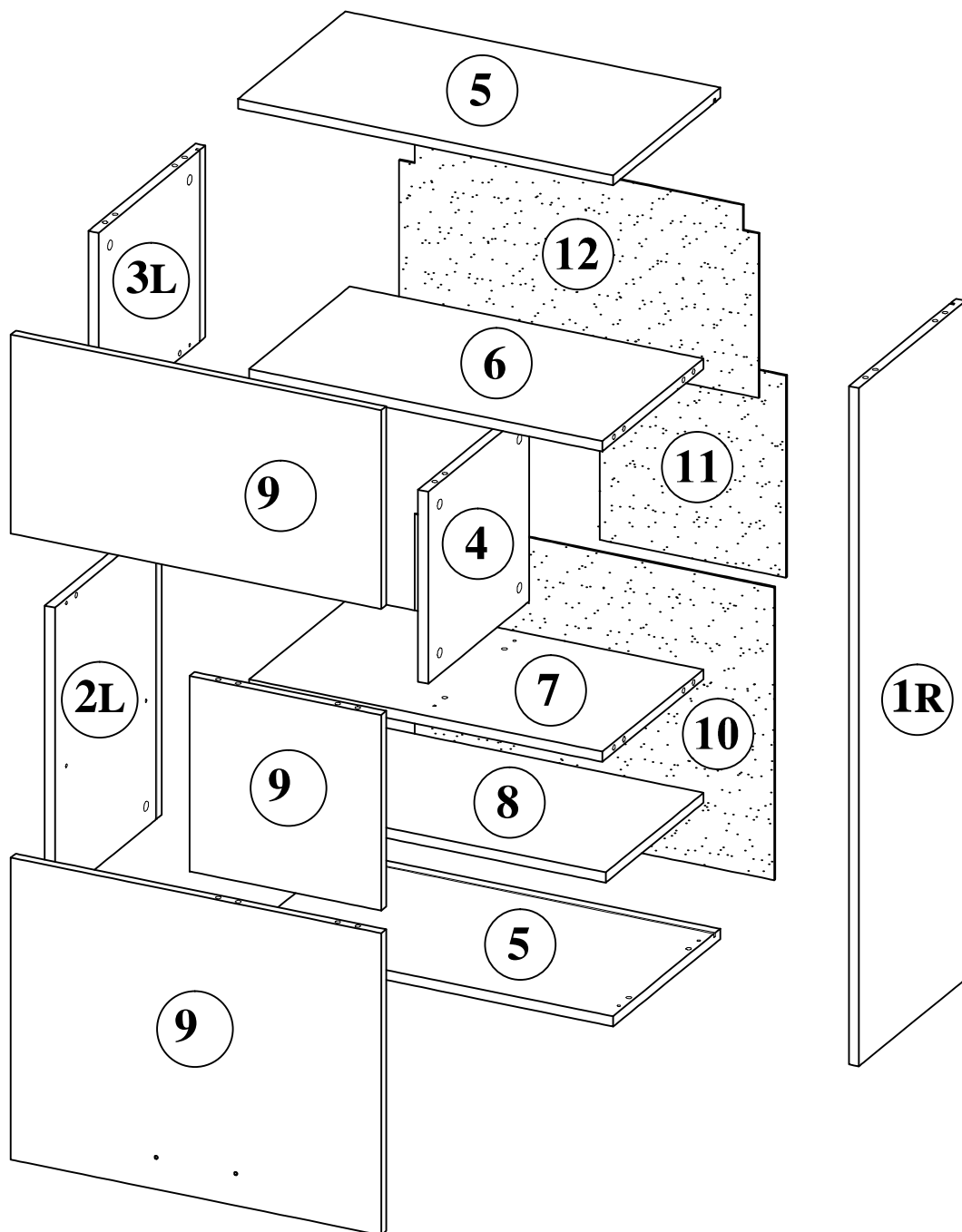
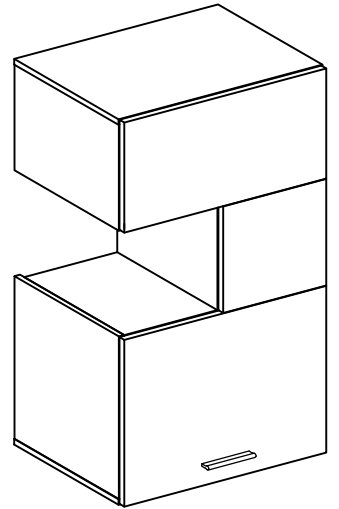
Ⓒ

HALI




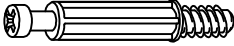

**D**

**HALI**

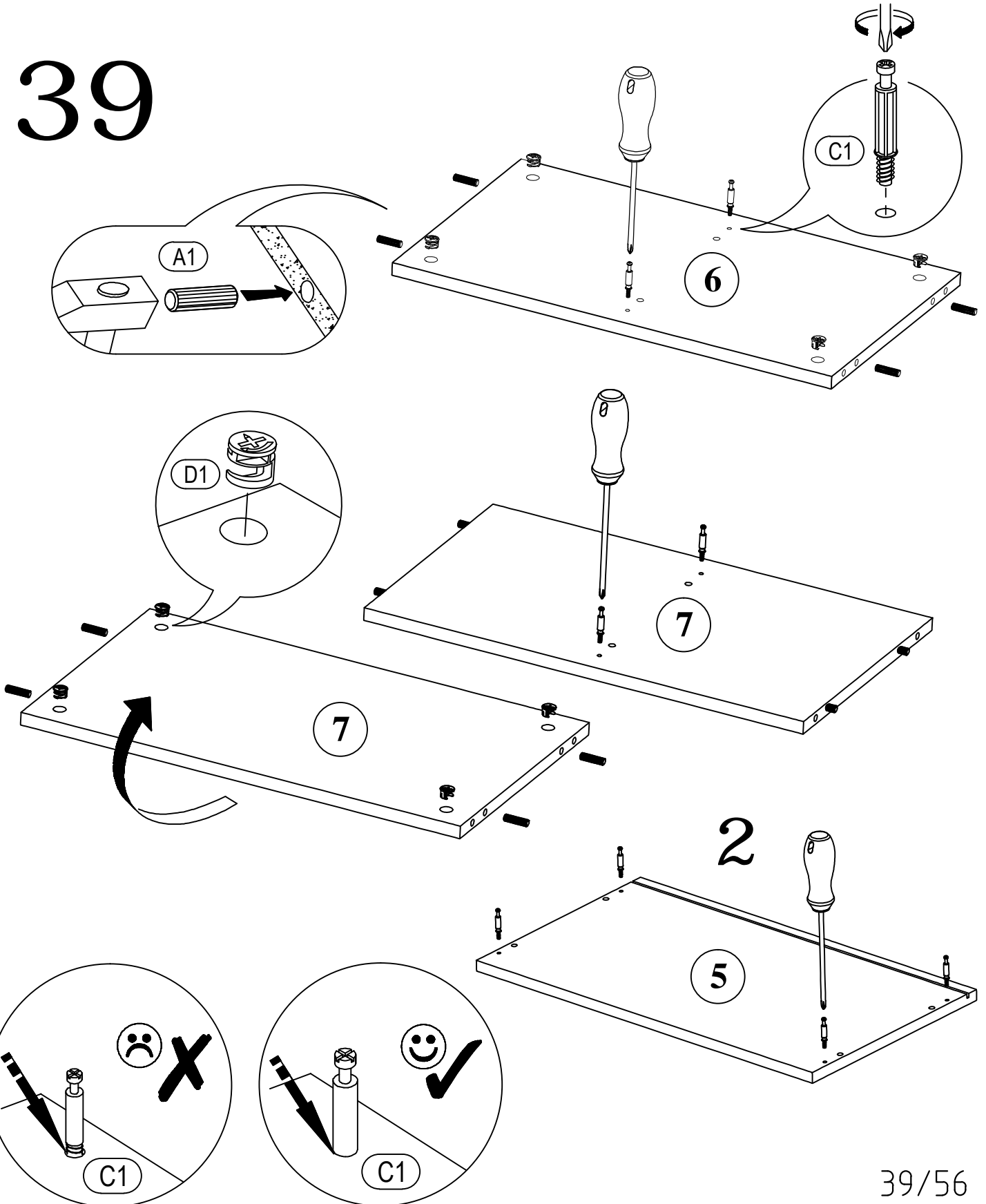


# D

HALI


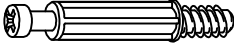




 A1 8*30mm x8	 C1 5*30mm x12	 D1 16mm x8
---	--	---

# 39

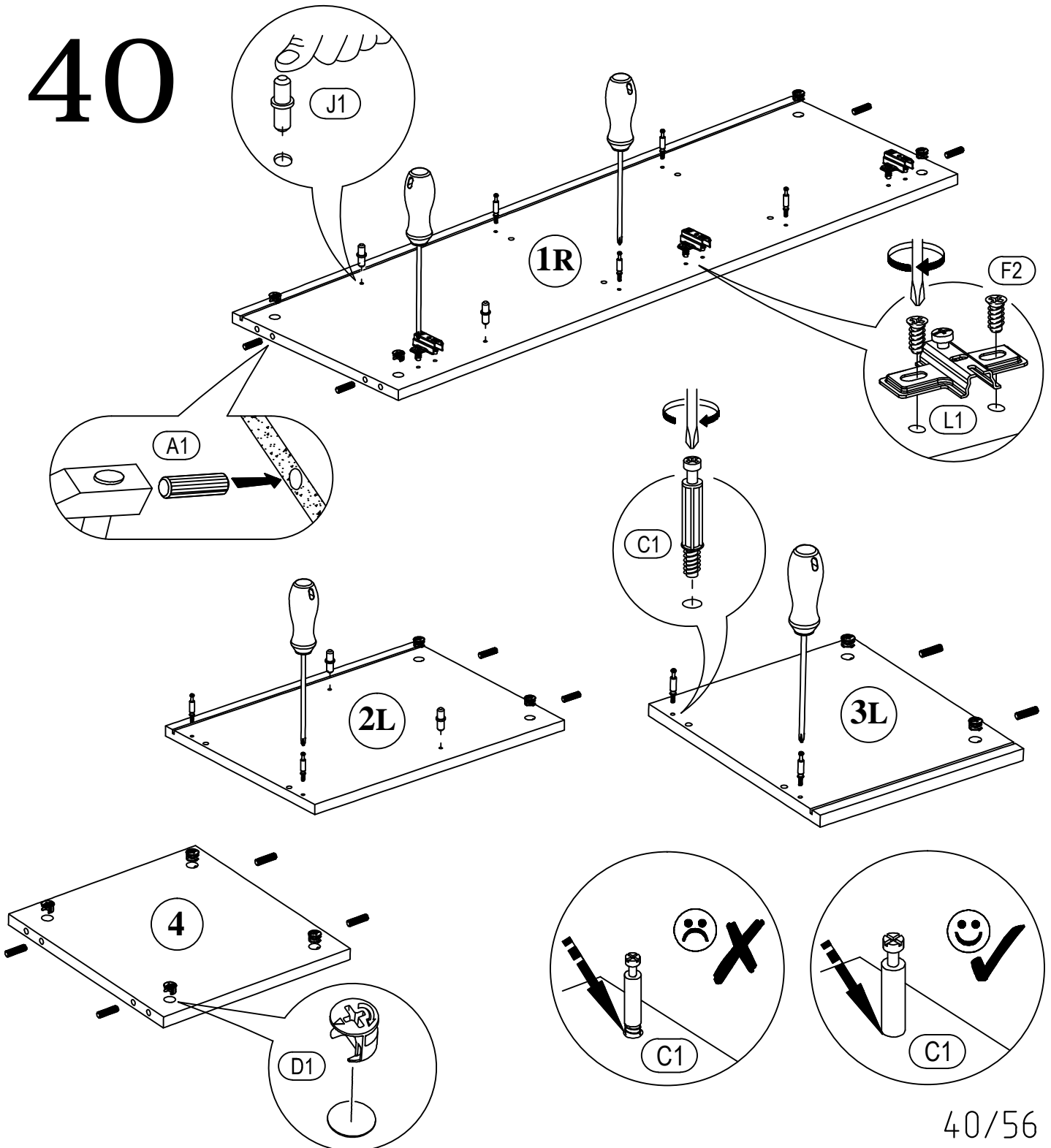


# D

HALI

 (A1) 8*30mm x8	 (C1) 5*30mm x8	 (D1) 16mm x12
 (F2) 6,3*13mm x6	 (J1) 5*16mm x4	 (L1) x3


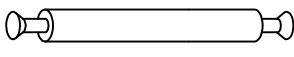

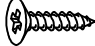
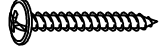

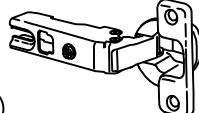
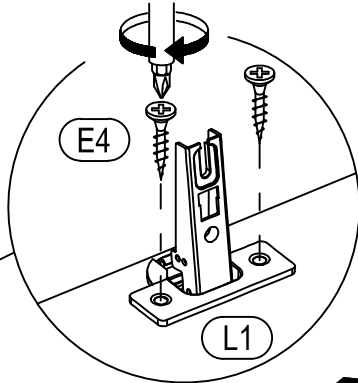
# 40



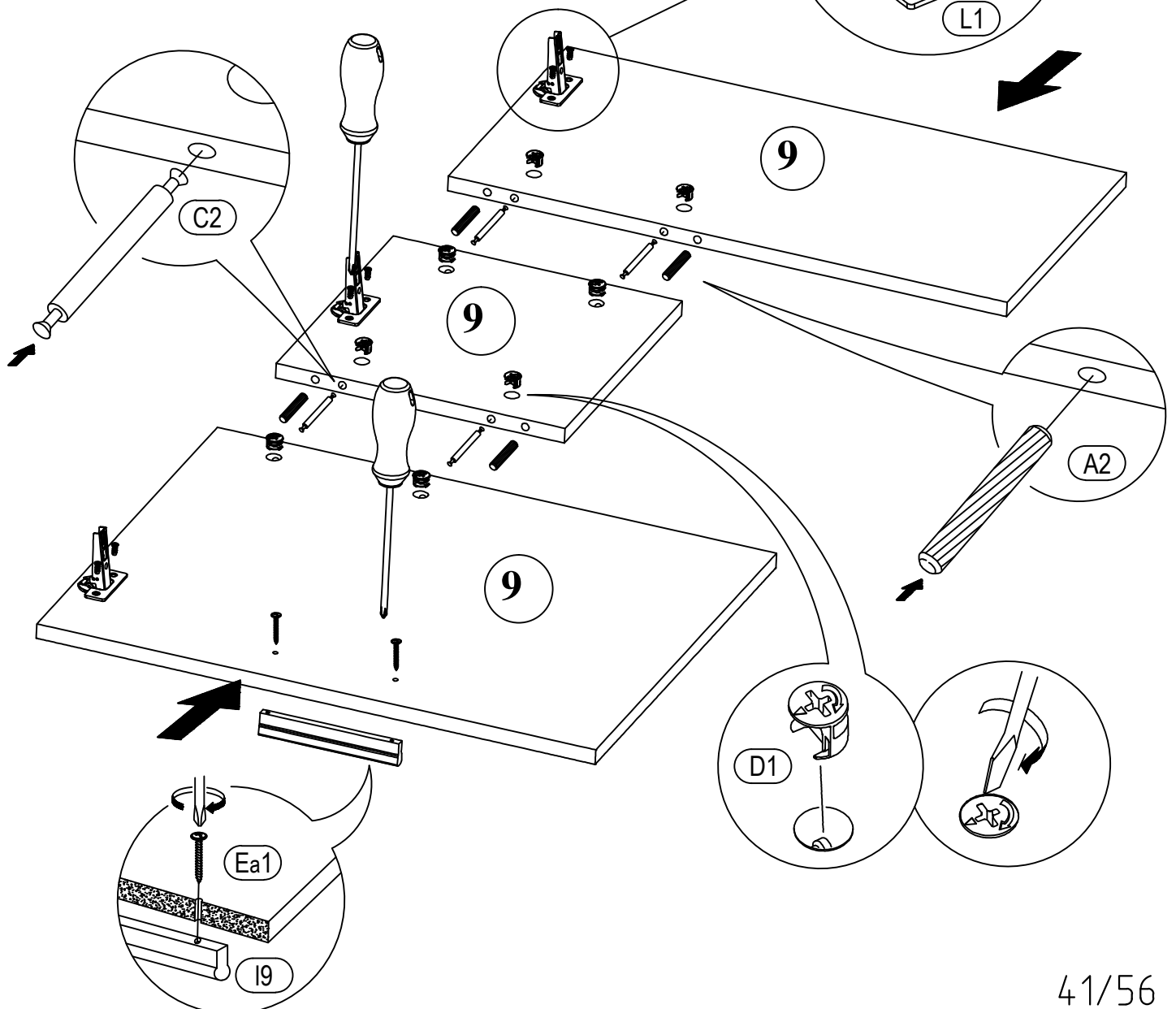


# D

HALI

 (A2) 8*50mm x4	 (C2) 8*56mm x4	 (D1) 16mm x8
 (E4) 3,5*16 x6	 (Ea1) 3,5*27mm x2	 (I9) x1
 (L1) x3		

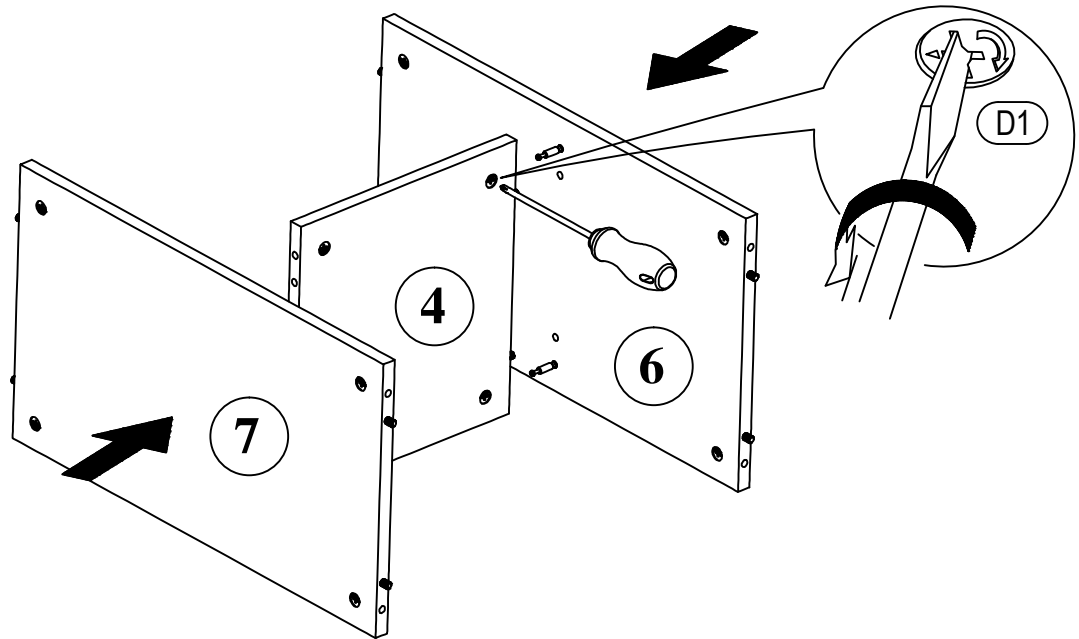
# 41



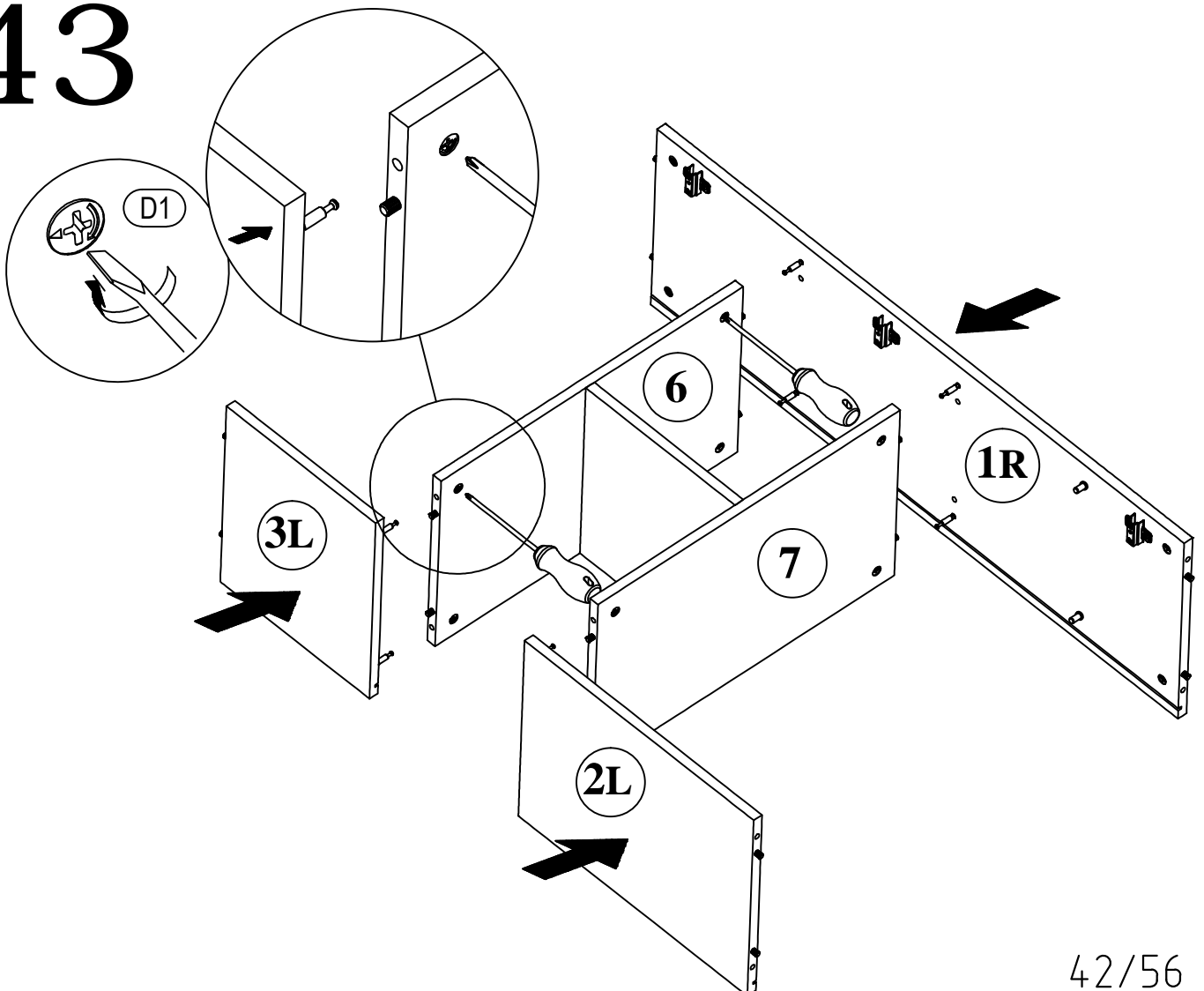
D

HALI

42

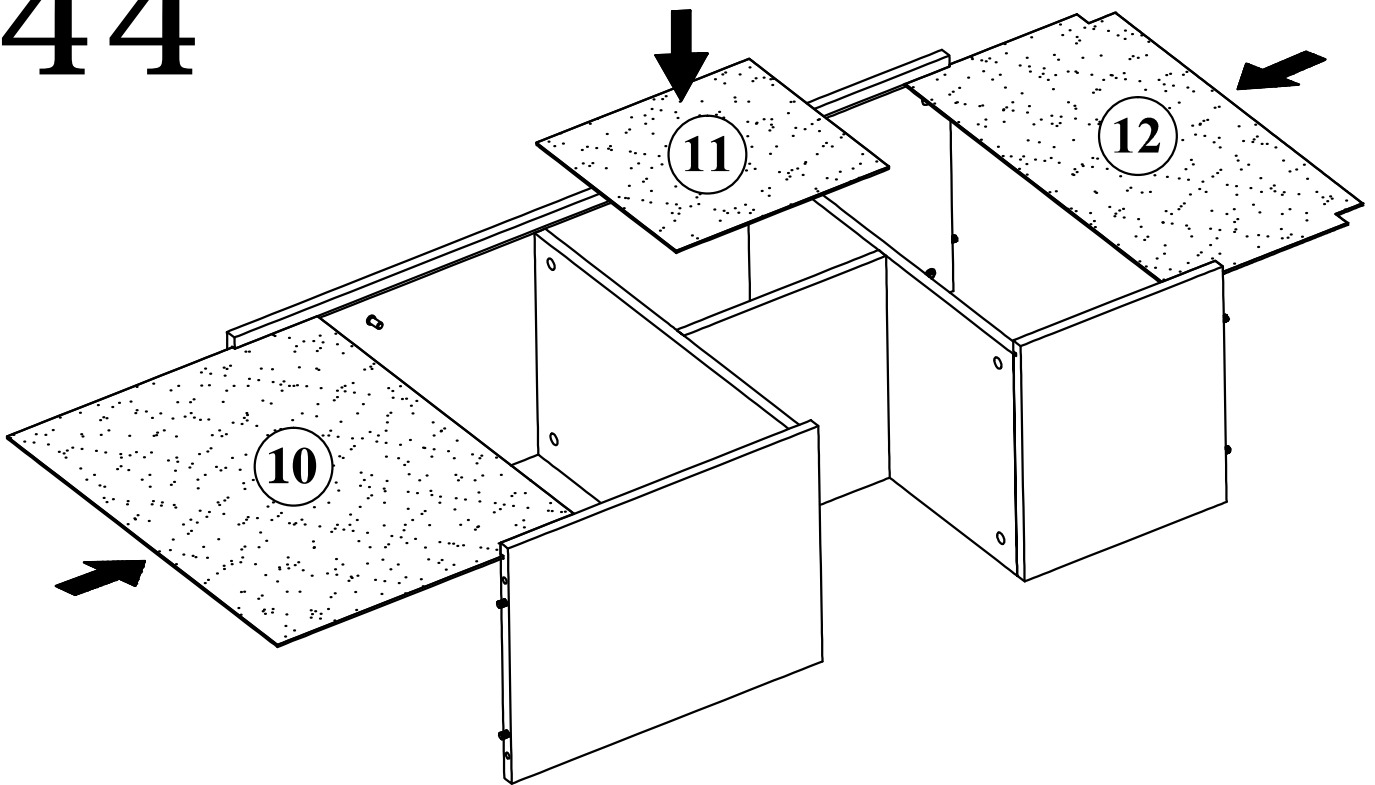


43

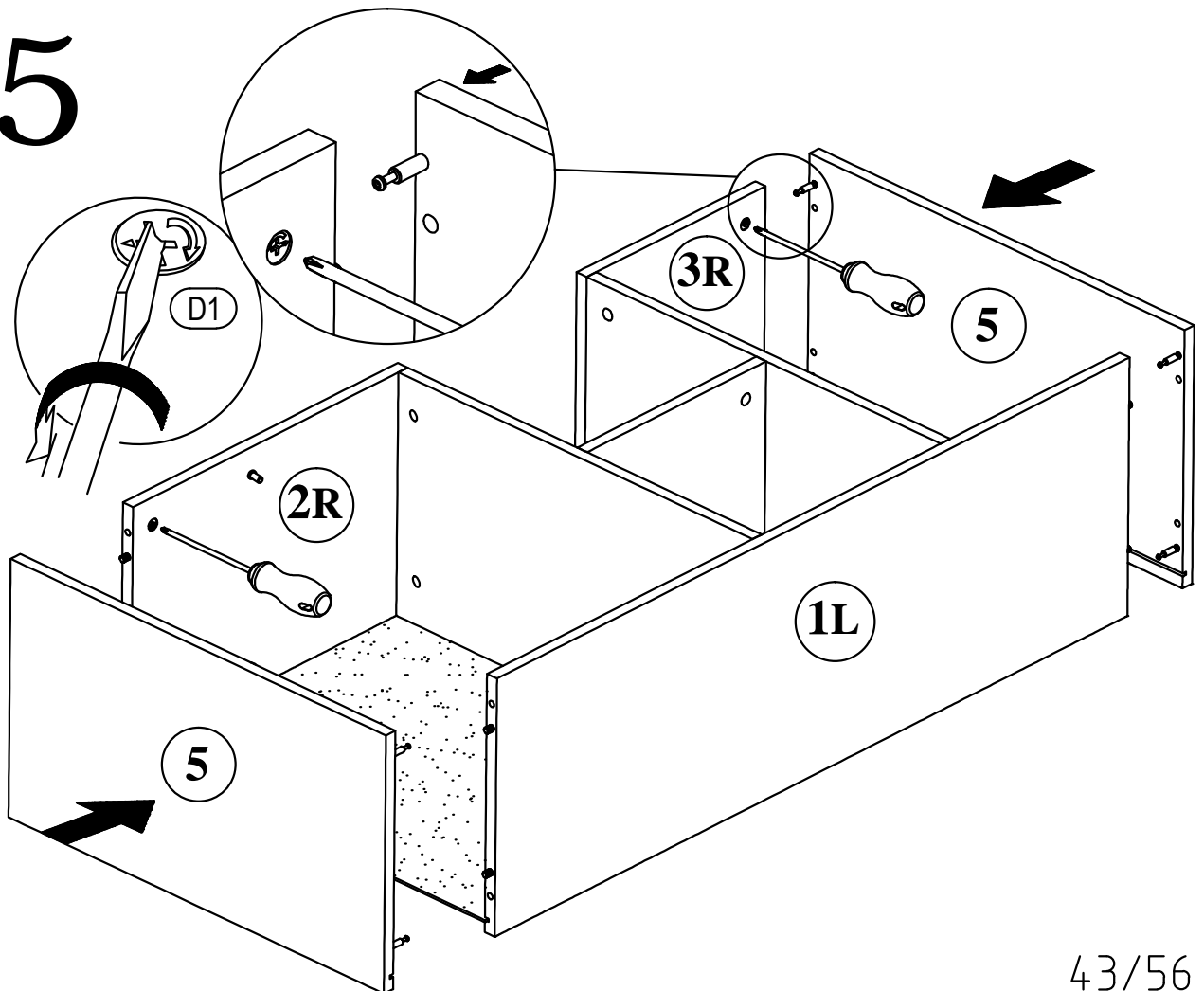


44

D







45

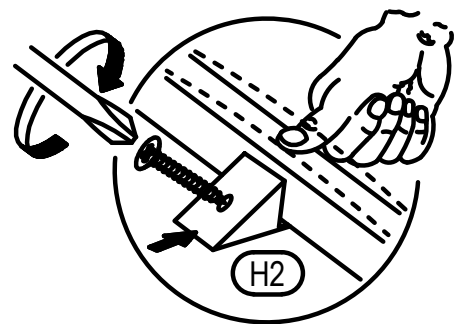
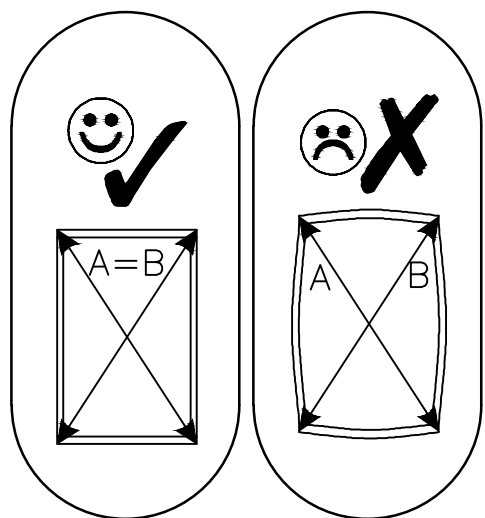
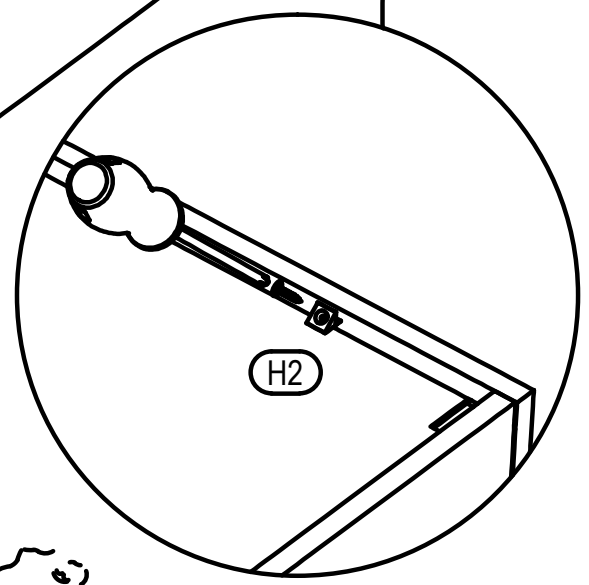
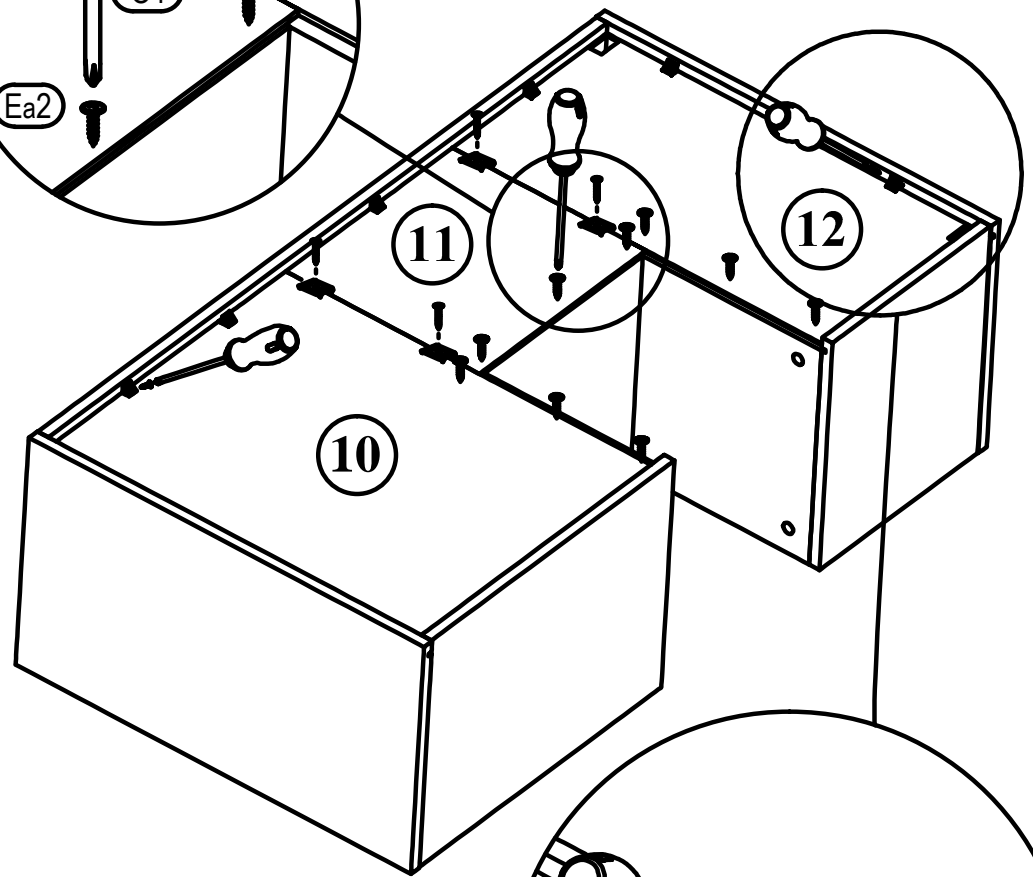
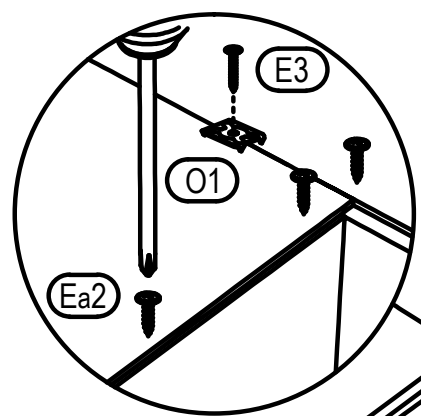


D

HALI


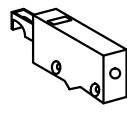
 E3 3*20mm x4	 Ea2 4,2*16mm x9	 H2 x11
		 O1 x4

46

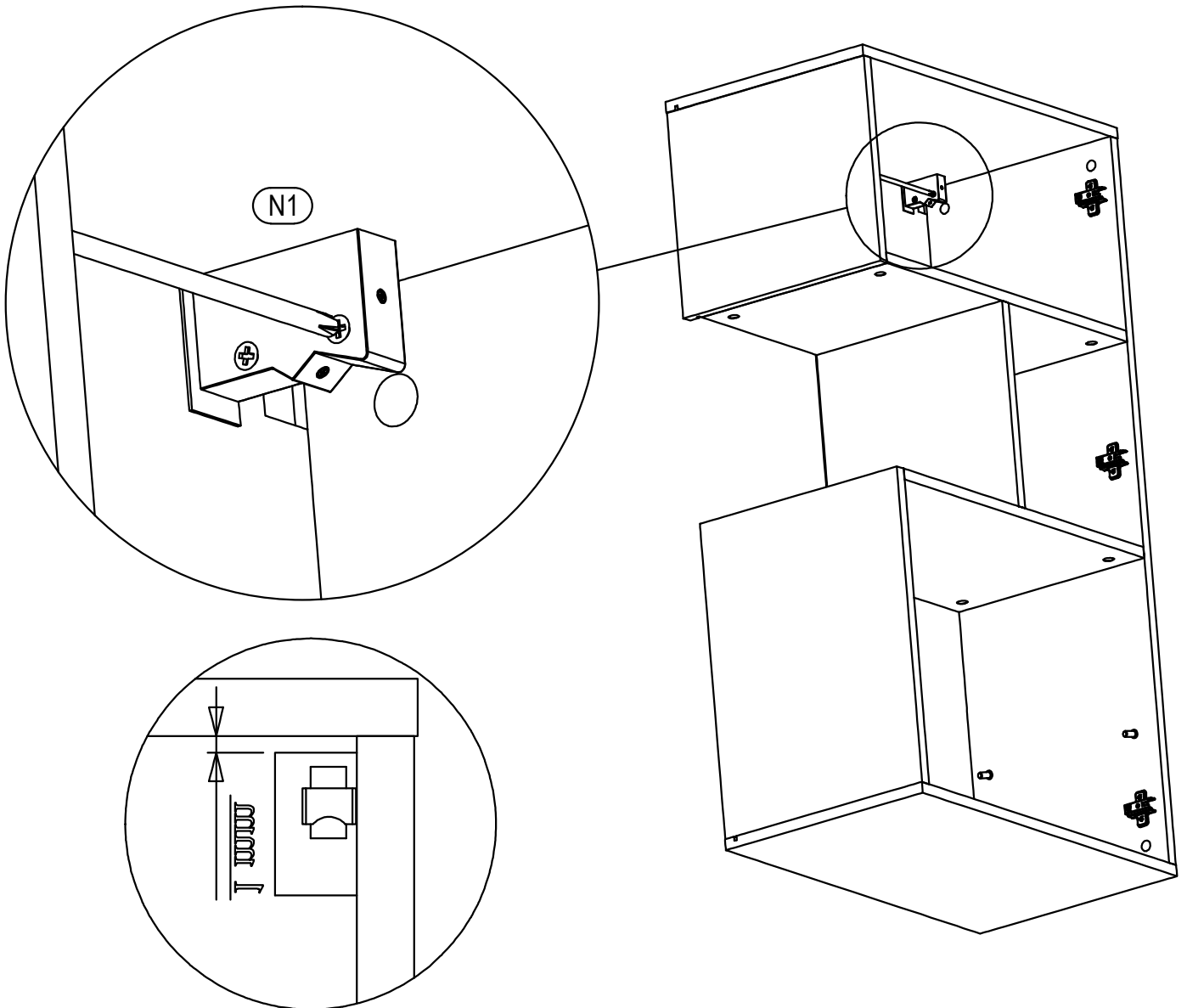


**D**

**HALI**

 (E11) 4*30mm x4	 (N1) x2
--	--

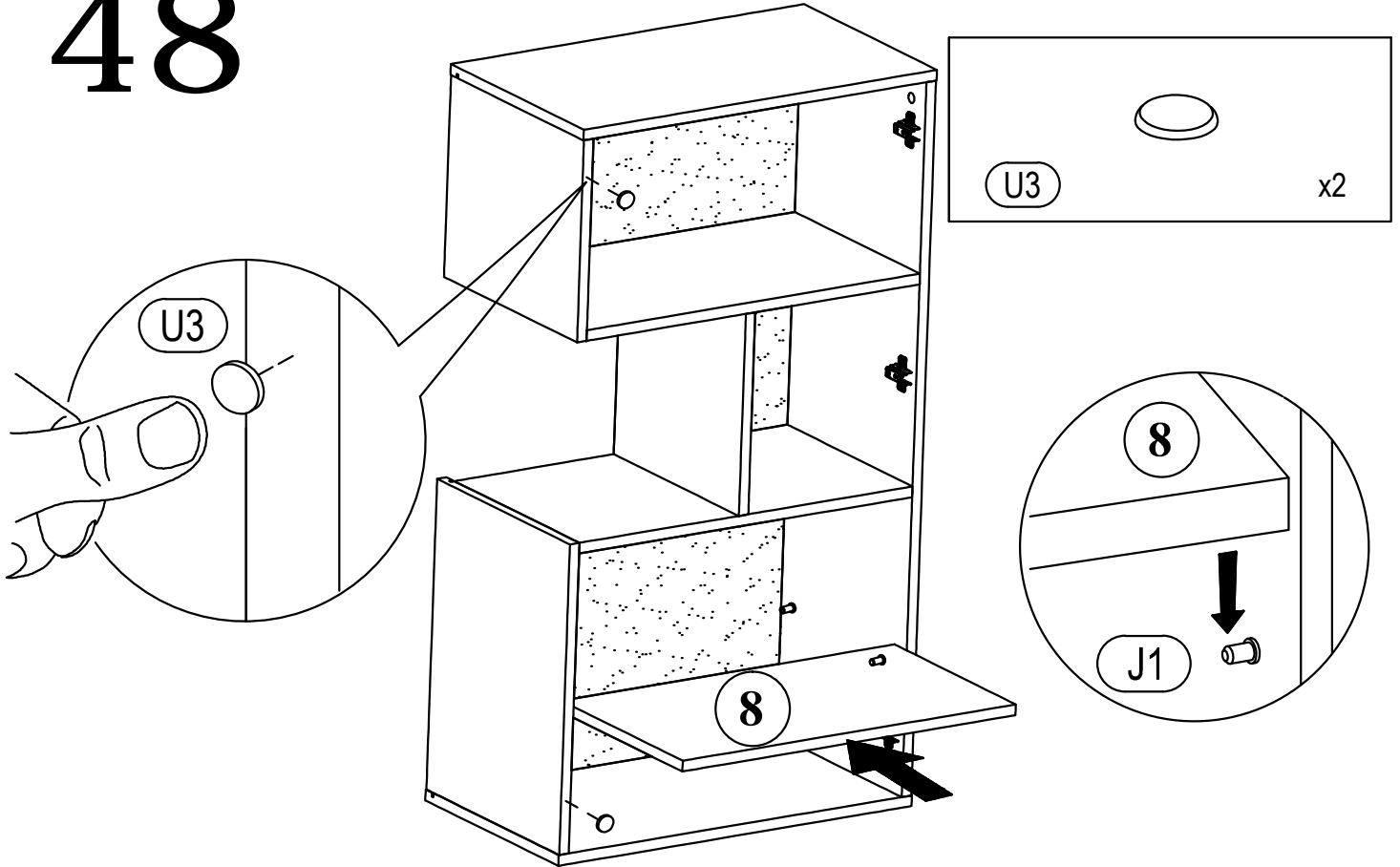
47



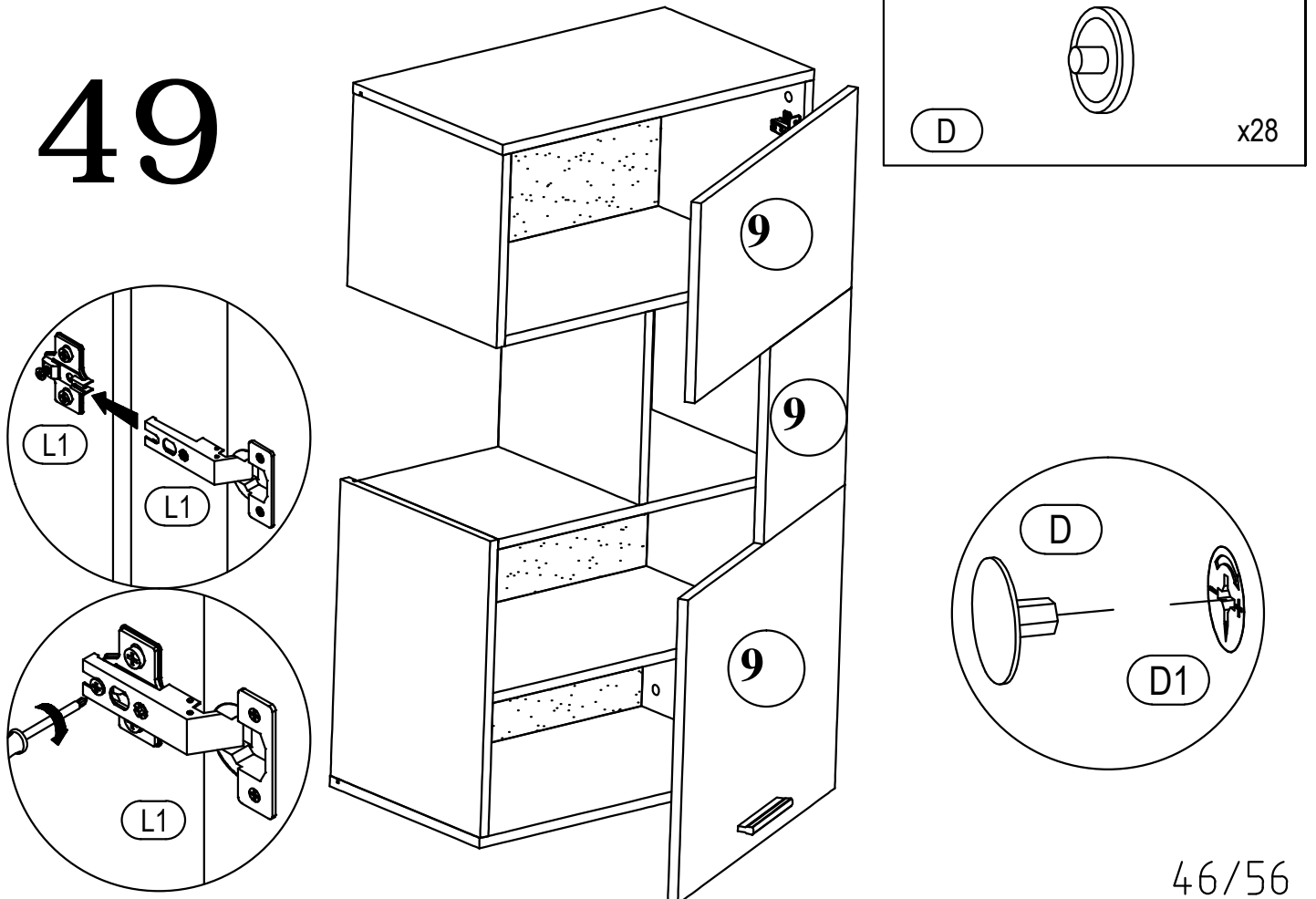
# 48

D

HALI



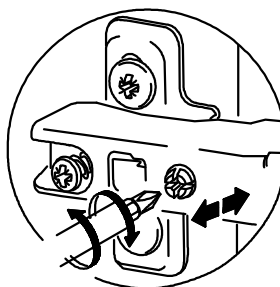
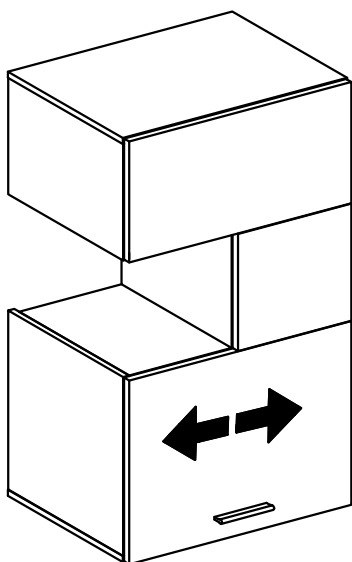
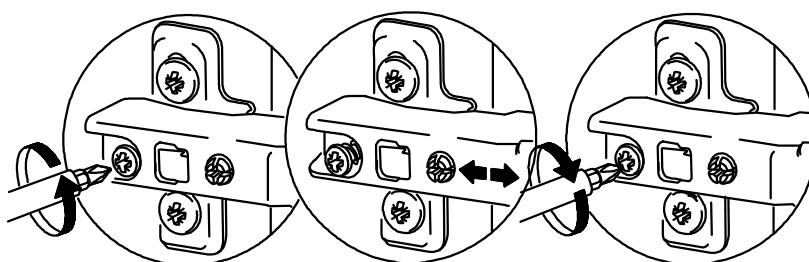
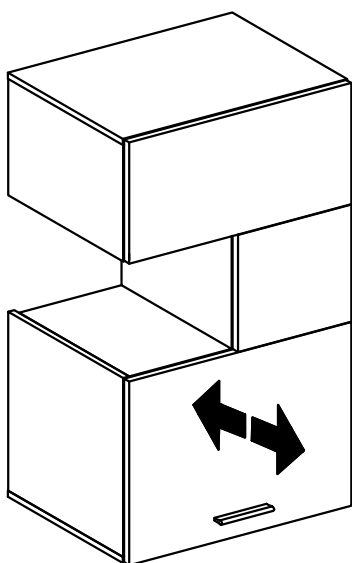
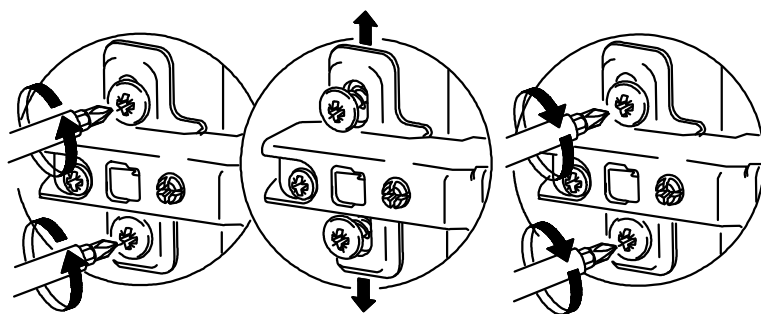
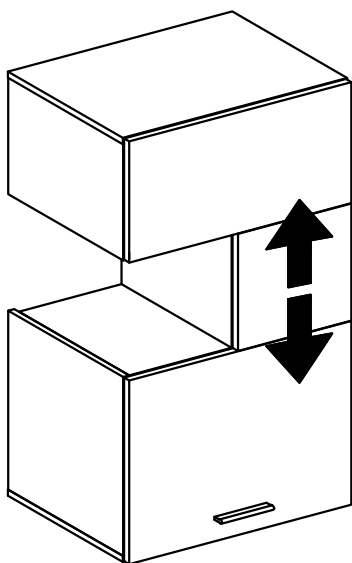
# 49



# 50

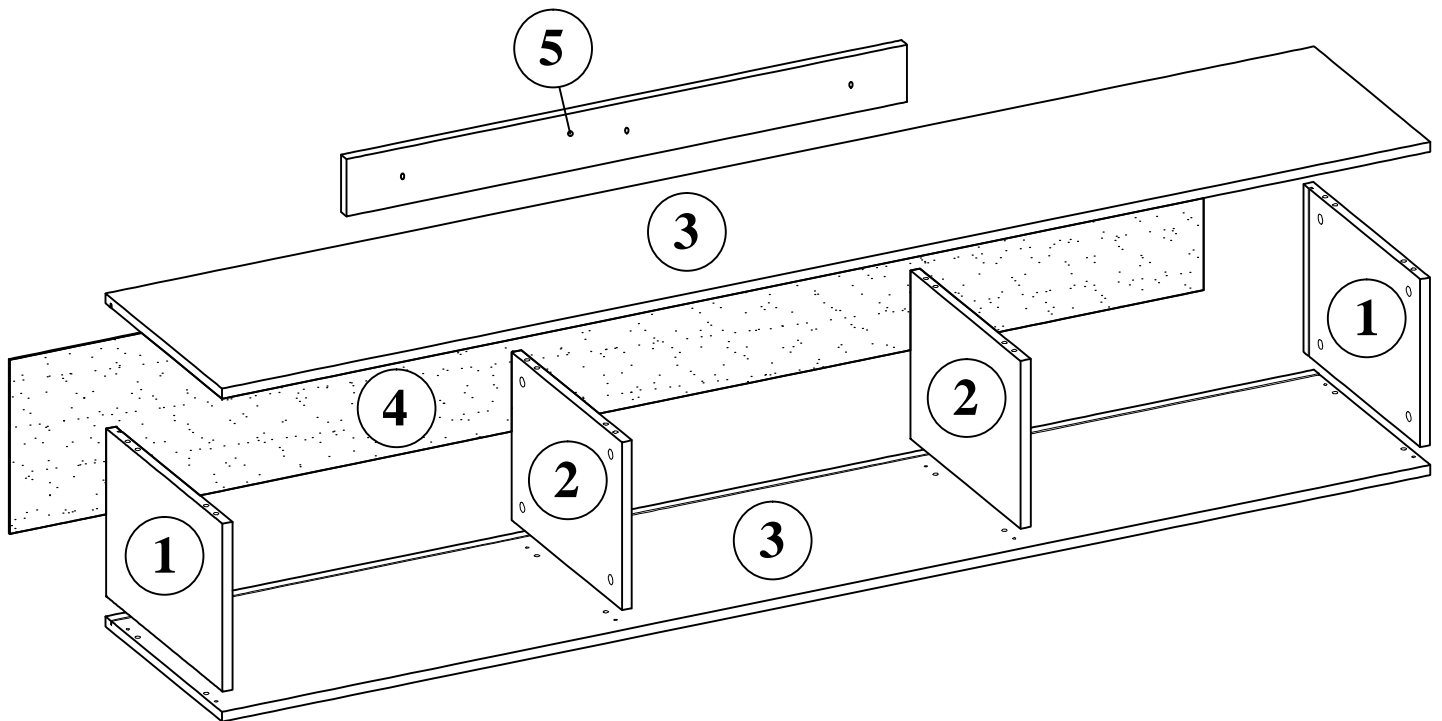
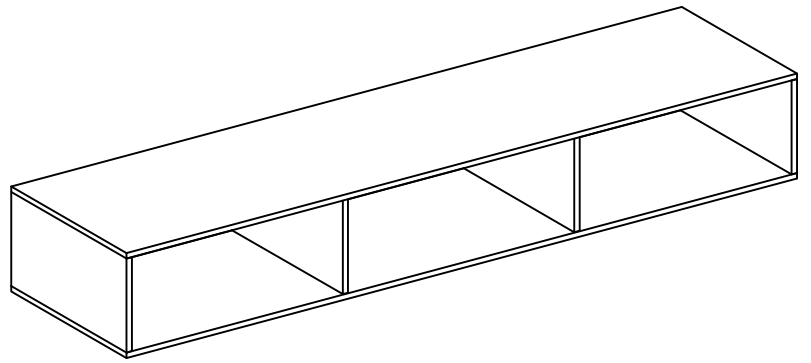
D

HALI



**E**


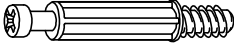

**HALI**





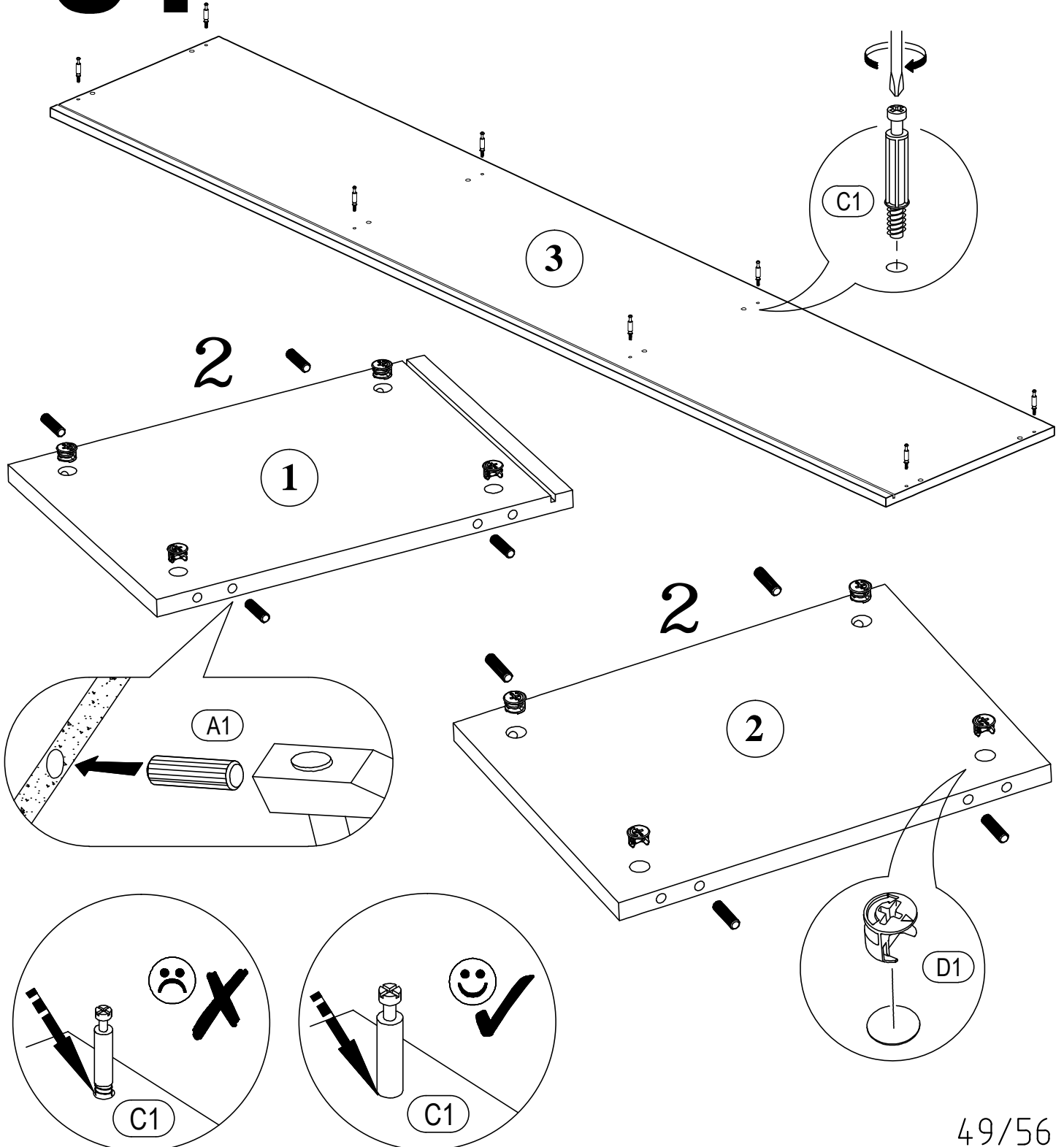
**E**

**HALI**

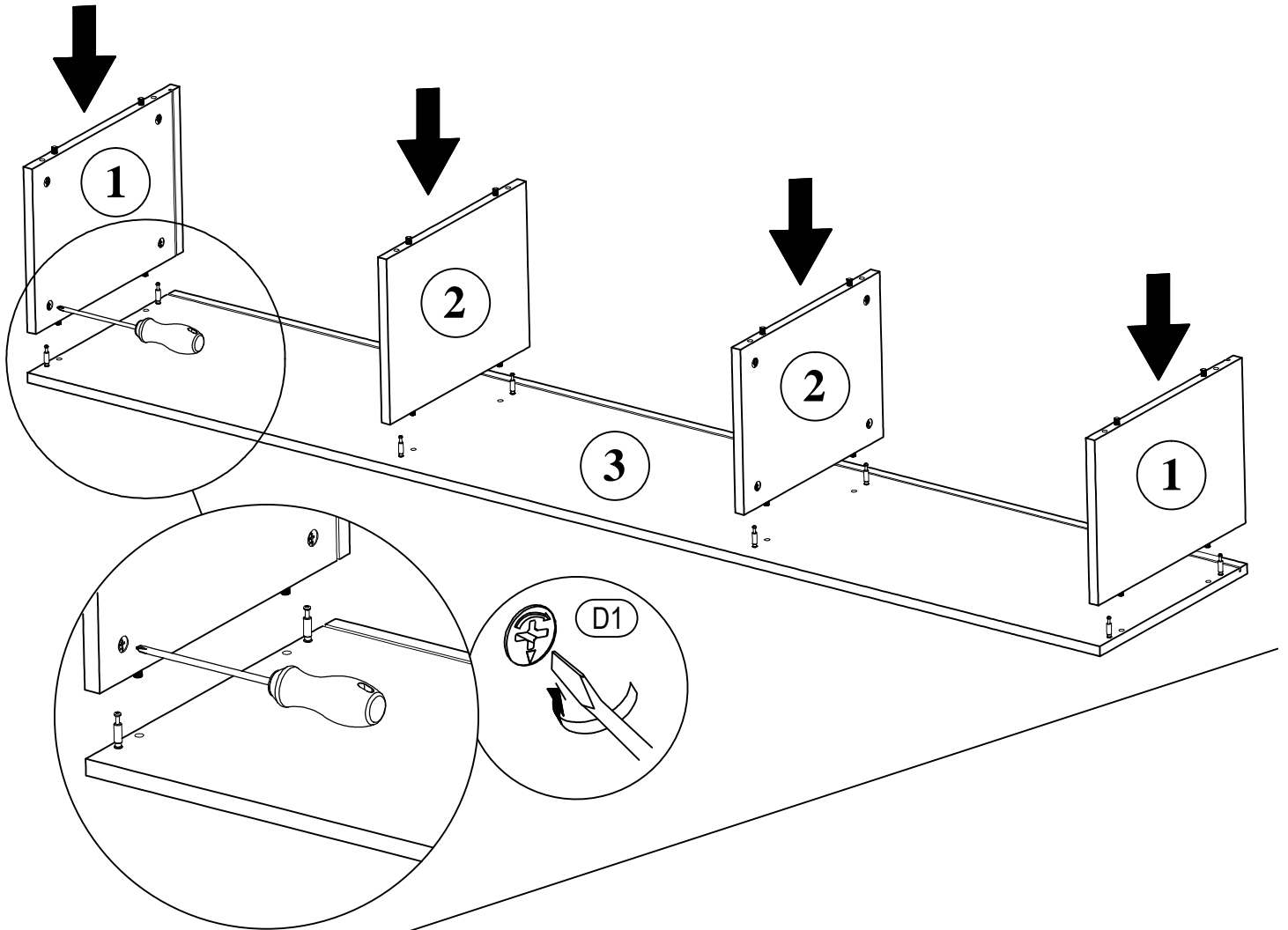
 <b>A1</b> 8*30mm x8	 <b>C1</b> 5*30mm x8	 <b>D1</b> 16mm x8
--	--	--

**51**

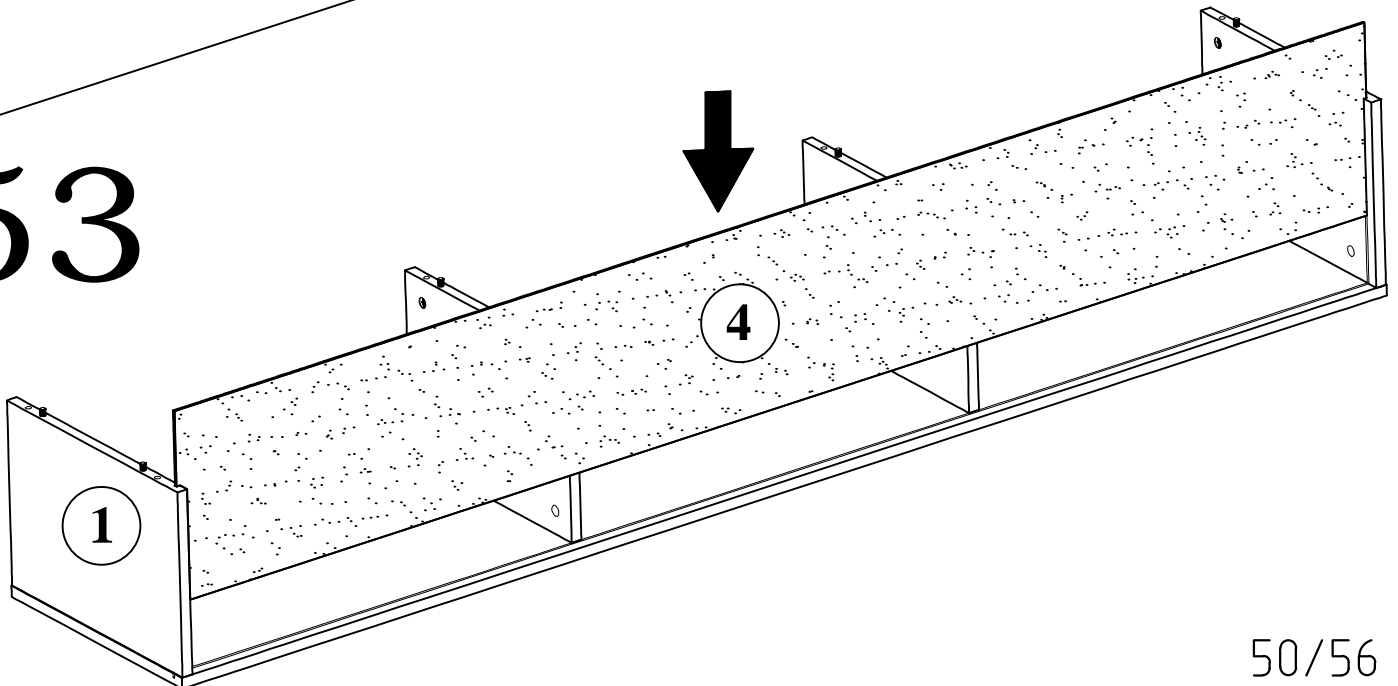
**x2**



52

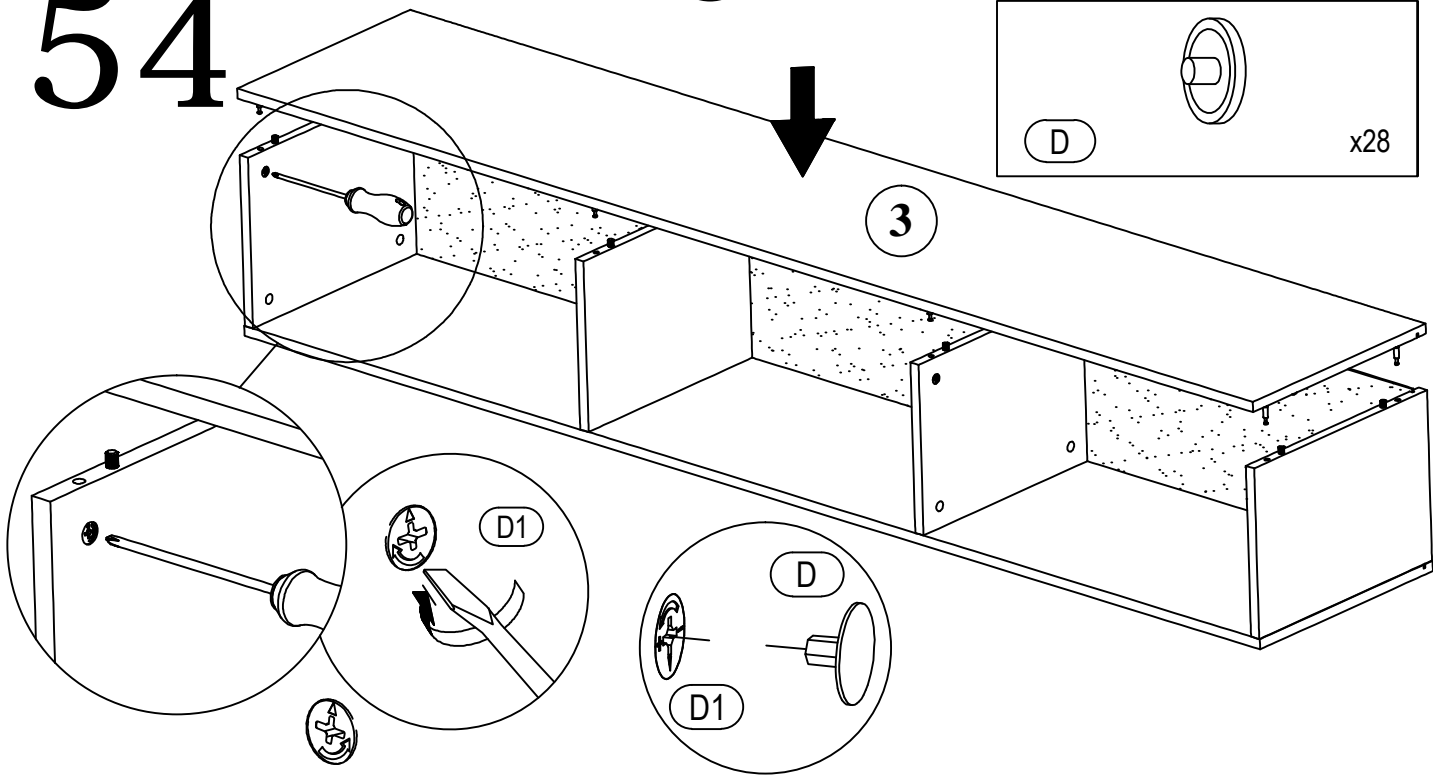


53

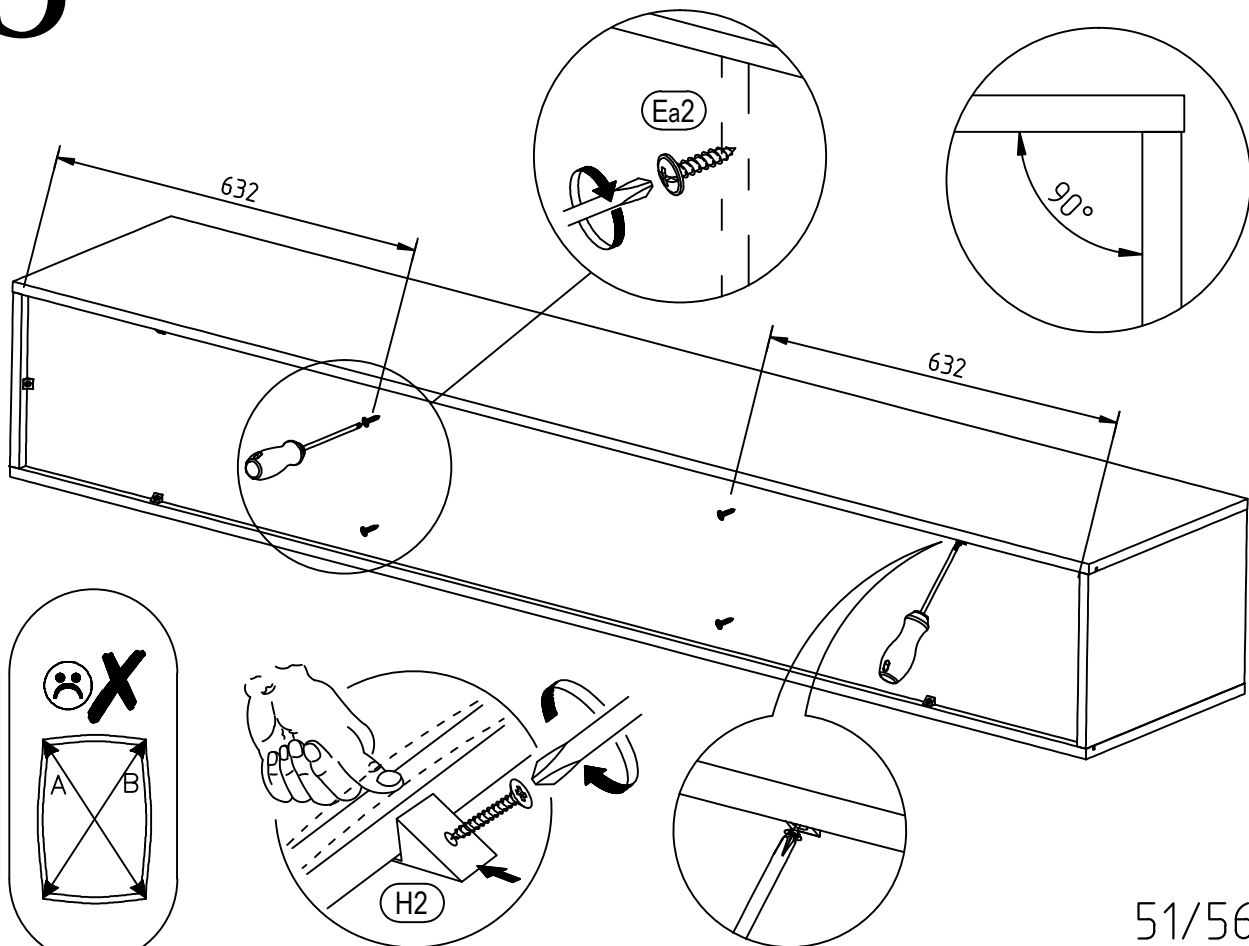
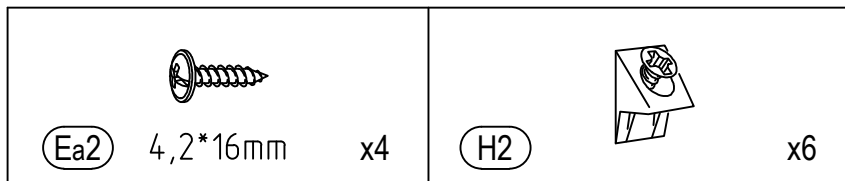


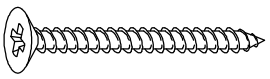
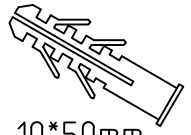
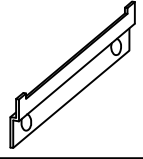
54

E

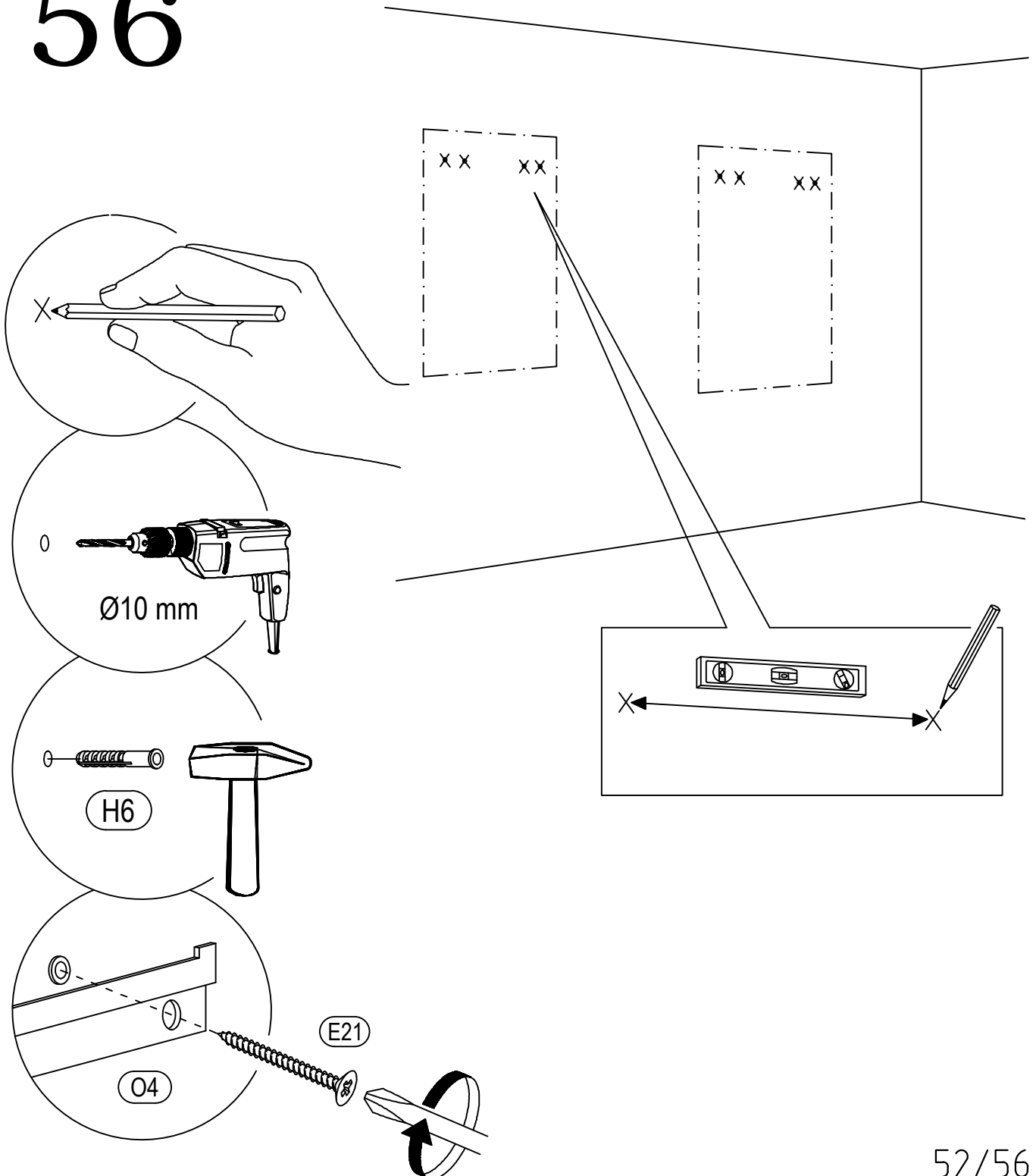


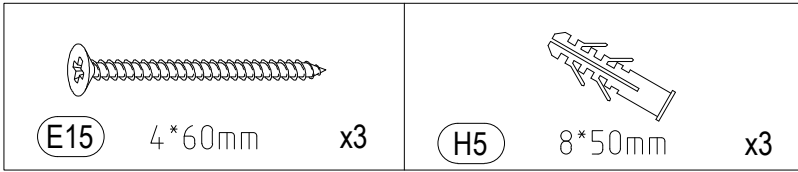
55



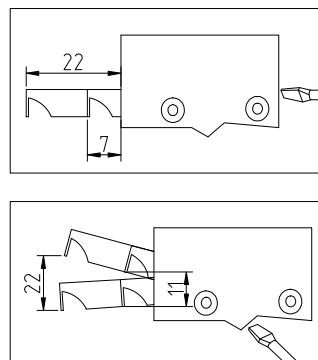
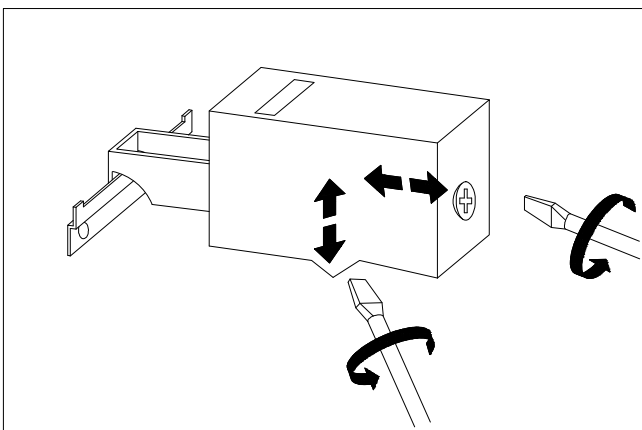
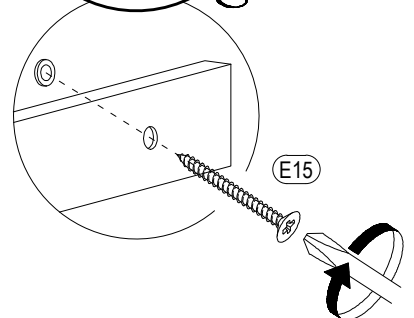
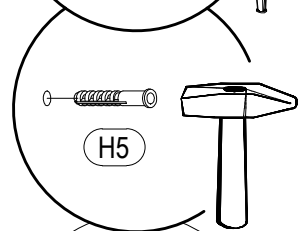
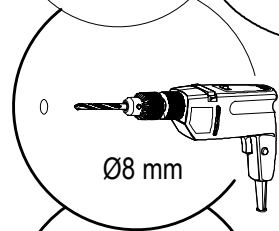
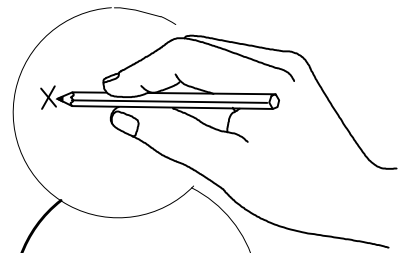
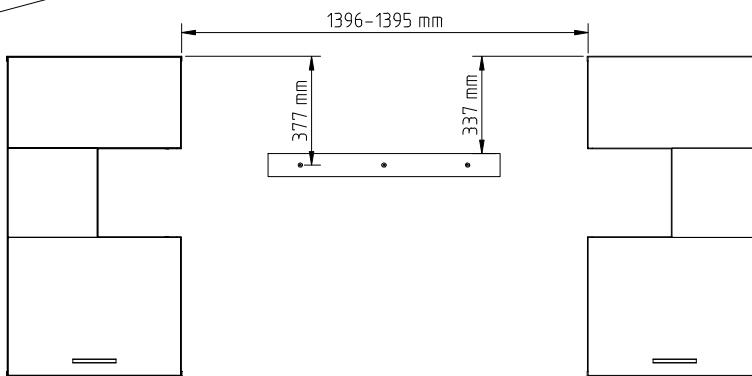
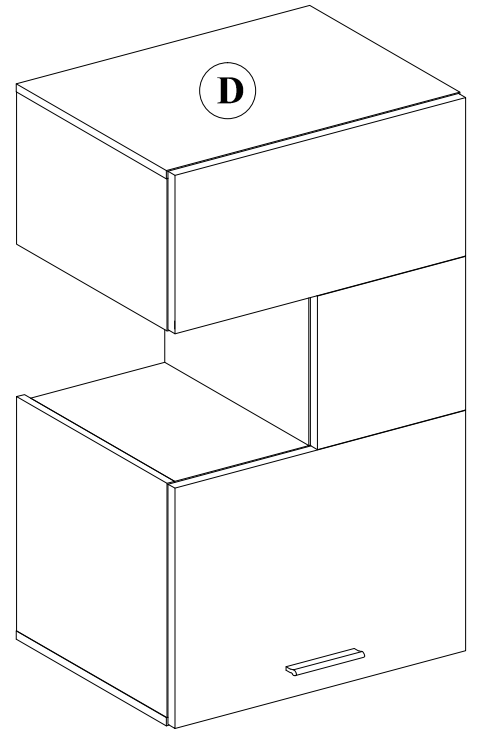
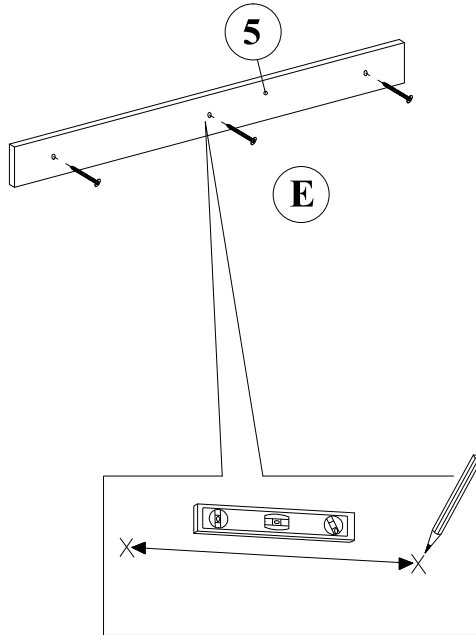
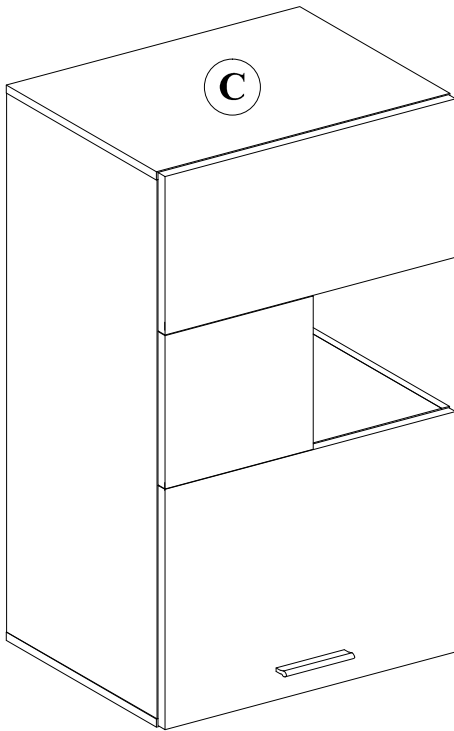
 (E21) 6*60mm x4	 (H6) 10*50mm x4	 (O4) x2
--	--	--

# 56





57



58

