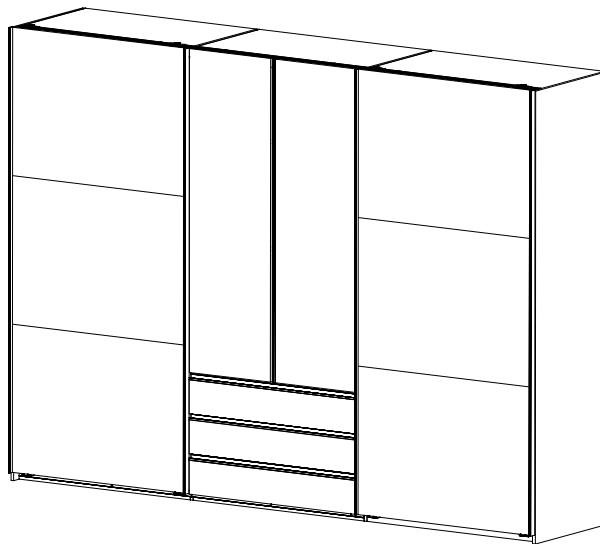
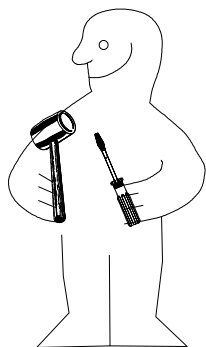
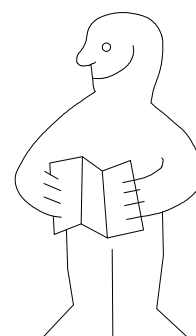
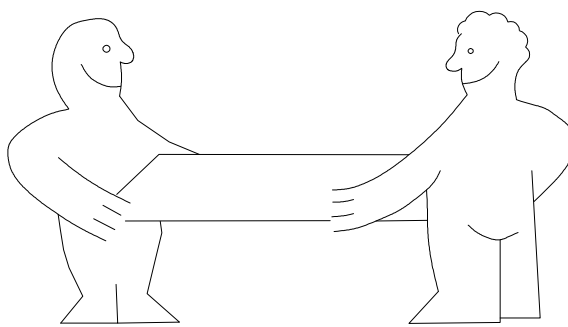
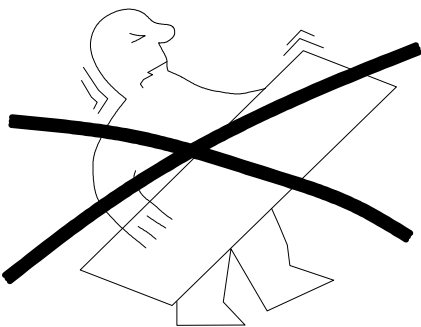




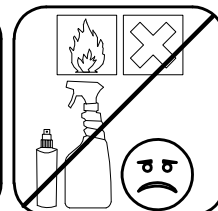
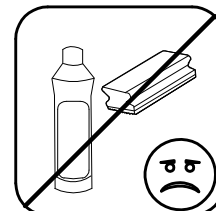
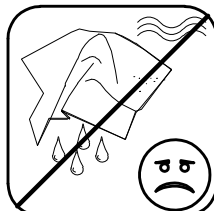
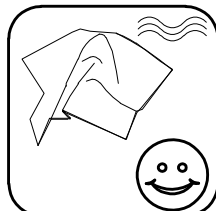
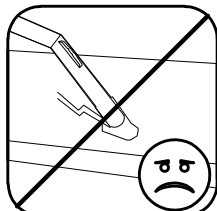
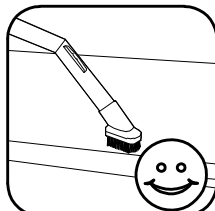
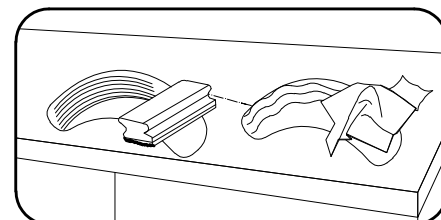
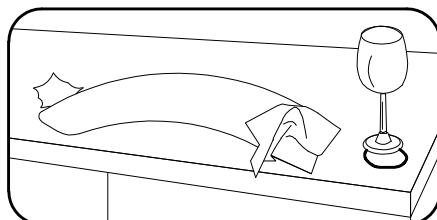
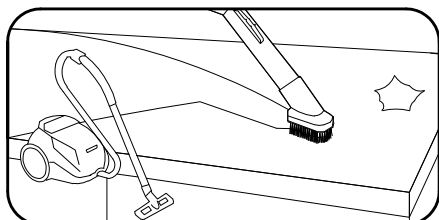
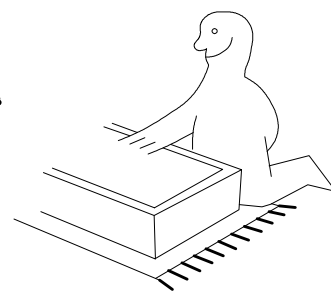
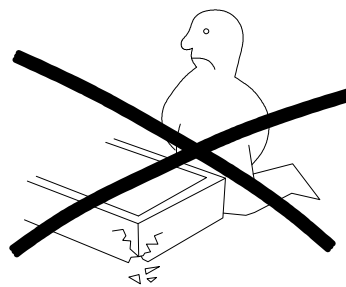
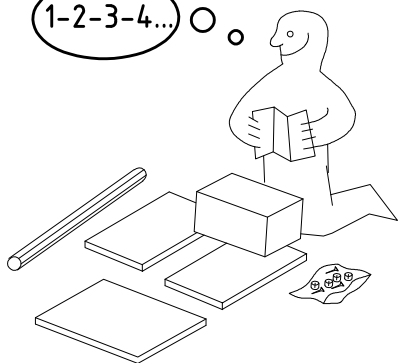
980718


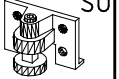

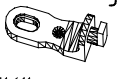

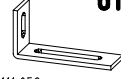
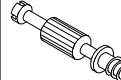


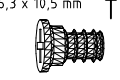
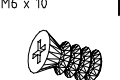

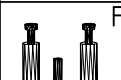
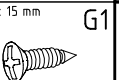
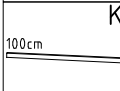

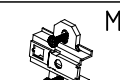
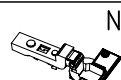


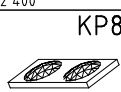
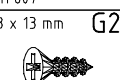
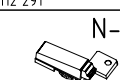
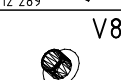


HSP 300 2trg MM-DT



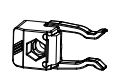


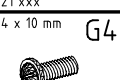
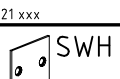
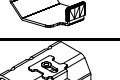
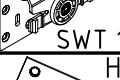
1-2-3-4... ○

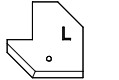
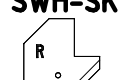

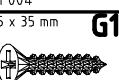

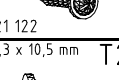



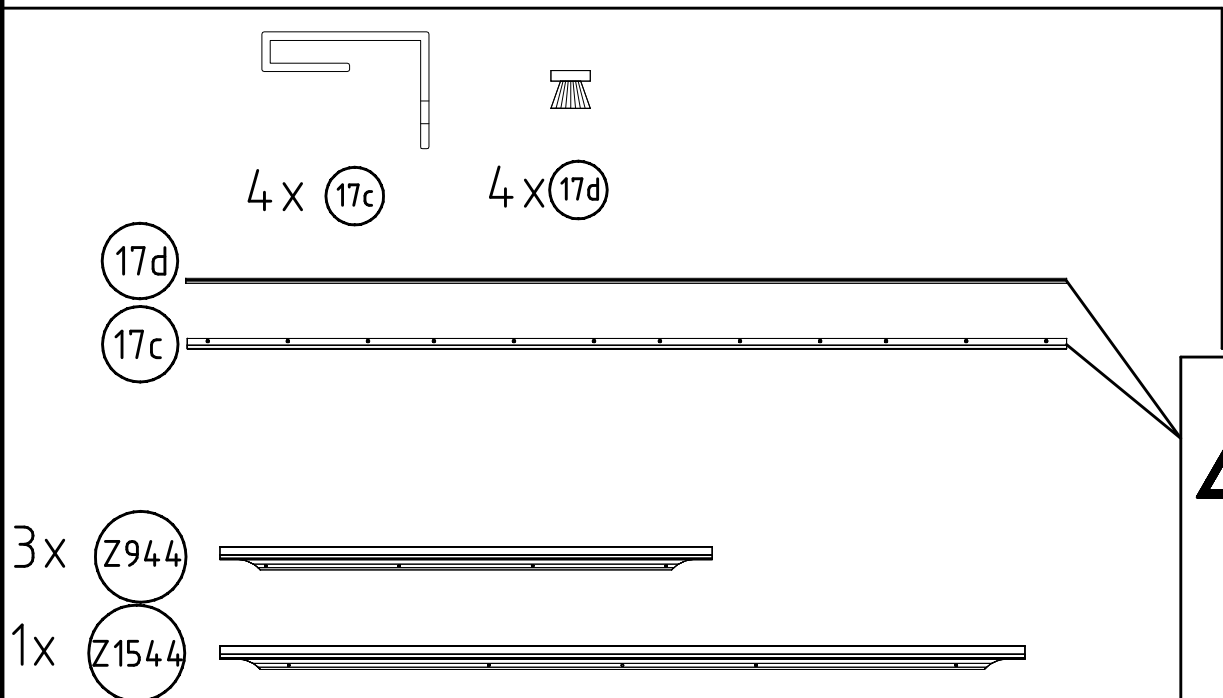
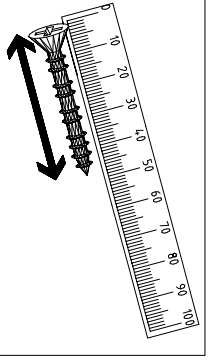
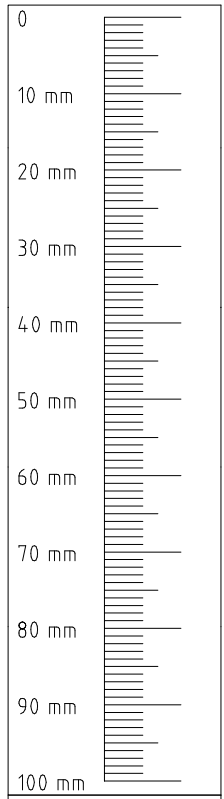
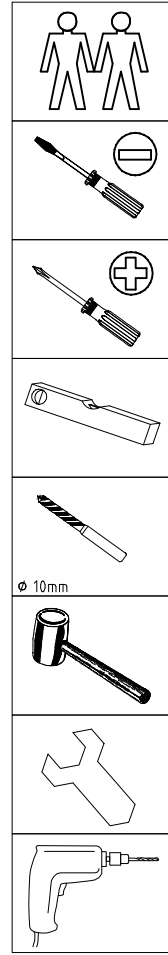
 111 xxx	A1	24x	 111 300	S0	15x	 117 002	K2	4x	 111 611	J2	9x	 112 220/1	Q45	3x	 111 052	o10	1x
 111 103	C	8x	 111 xxx ø12	V12	15x	 117 002	SBV	30x	 112 055	T1	30x	 M6 x 10	T3	12x	 121 122	SP13	4 X 13mm 1x
	F3	8x	 121 370	G1	42x	 100cm	K10	2x	 111 607	L8	16x	 112 291	M1	6x	 112 289	N1	6x
 4 X 27mm	SP27	36x	 353 018 ø8 x 30	D	4x	 352 302	KP8	10x	 121 113	G21	17x		N-D	2x	 111 xxx ø8	V8	2x

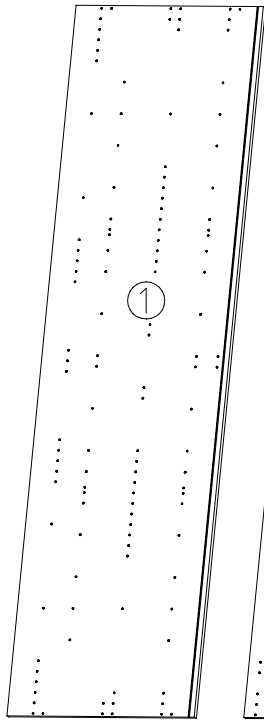
1x **FPK**
1453/1940/2430/2920/3408

1x **SWT-LP**
1453/1940/2430/29203trg
/3410 SY

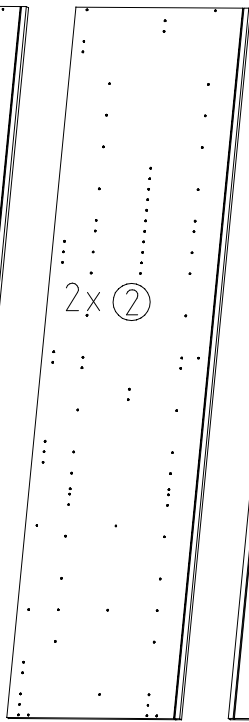
	SWT-ST	2x
	SWT-SM5	2x
 M4 x 13 mm	GH13	6x
 121 xxx M4 x 10 mm	G43	6x
	SWH 6	4x
	SWT 1	4x
 114 183	H5	4x

	SWH-SKL	1x
	SWH-SKR	1x
 3,5 x 22 mm	G24	10x
 121 004 3,5 x 35 mm	G14	2x
 121 375 4 X 13mm	SP13	68x
 121 122 6,3 x 10,5 mm	T2	28x
	111 030	

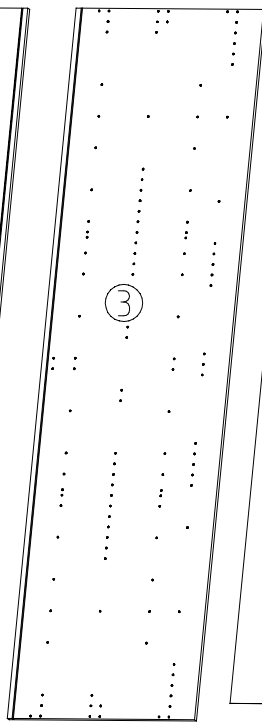




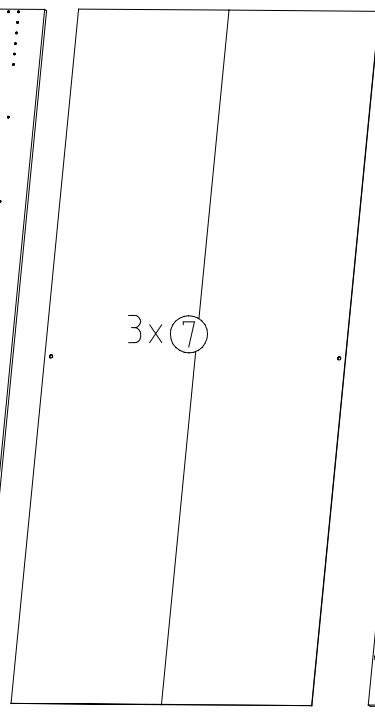
2160x607x15



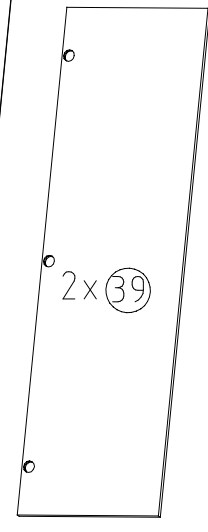
2160x560x15



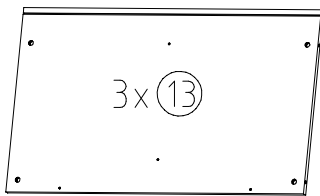
2160x607x15



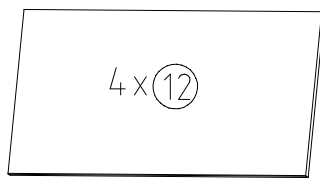
2111x973x2,5



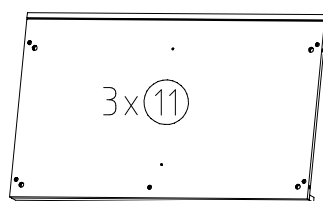
1544x457x15



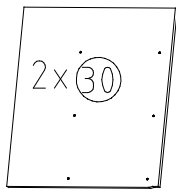
964x560x15



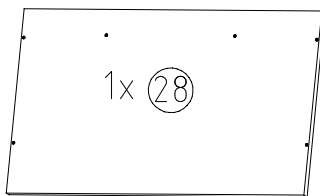
964x500x18



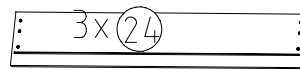
964x560x47



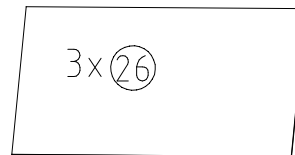
545x490x15



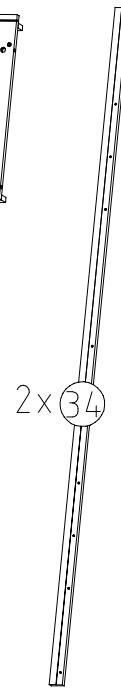
964x560x22



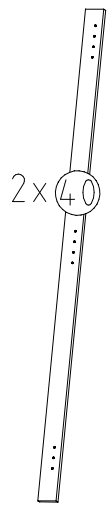
944x163x15



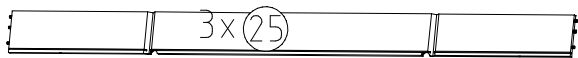
905x449x2,5



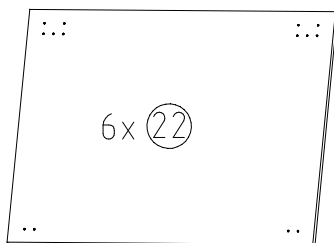
2059x42x15



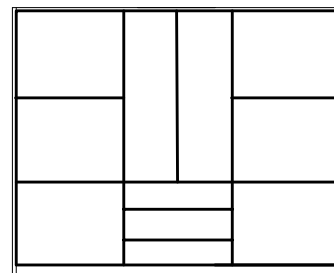
1495x59x15



450/919/450x126x12

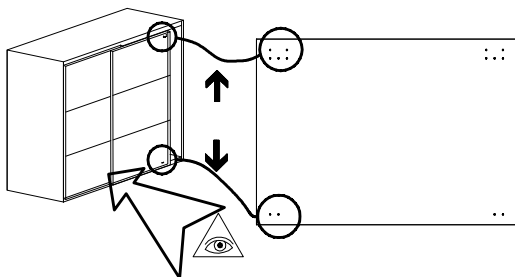


990x708x15

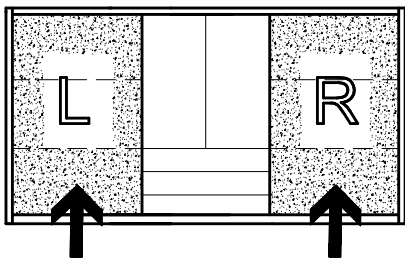


L

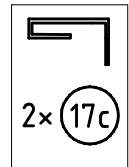
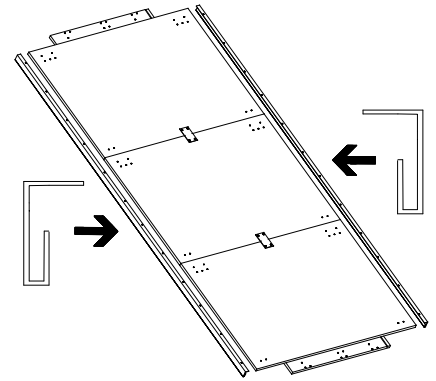
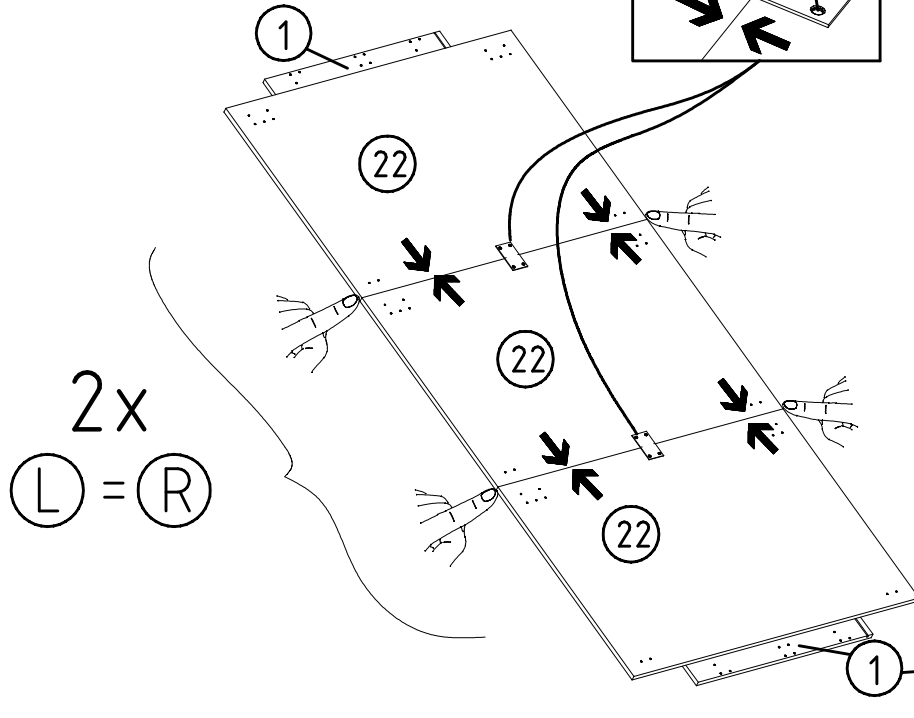
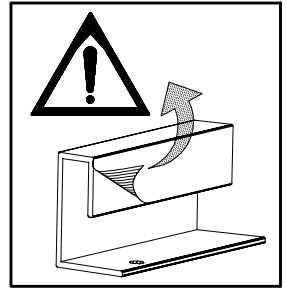
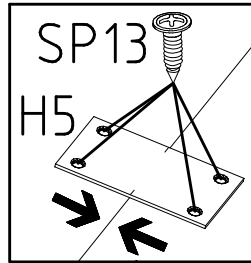
R



1

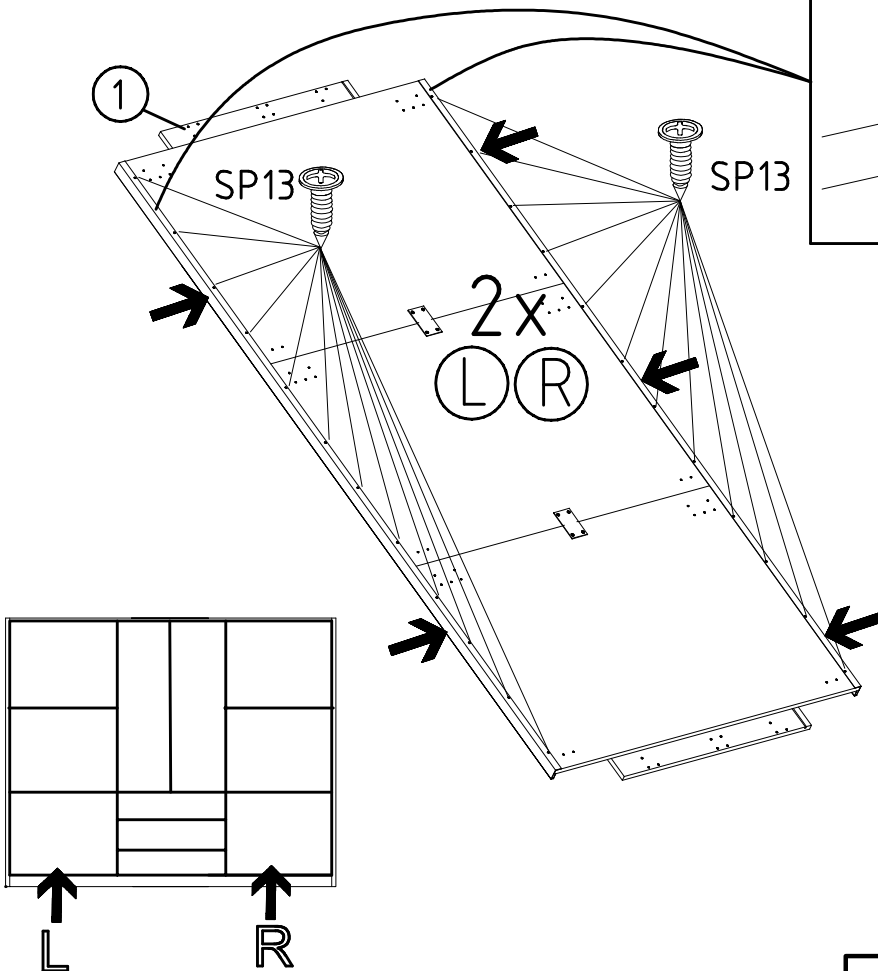
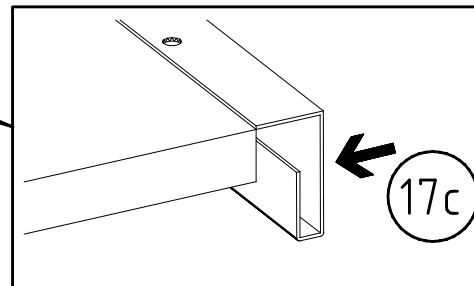


H5
4 X 13mm
SP13
114 183
121 122

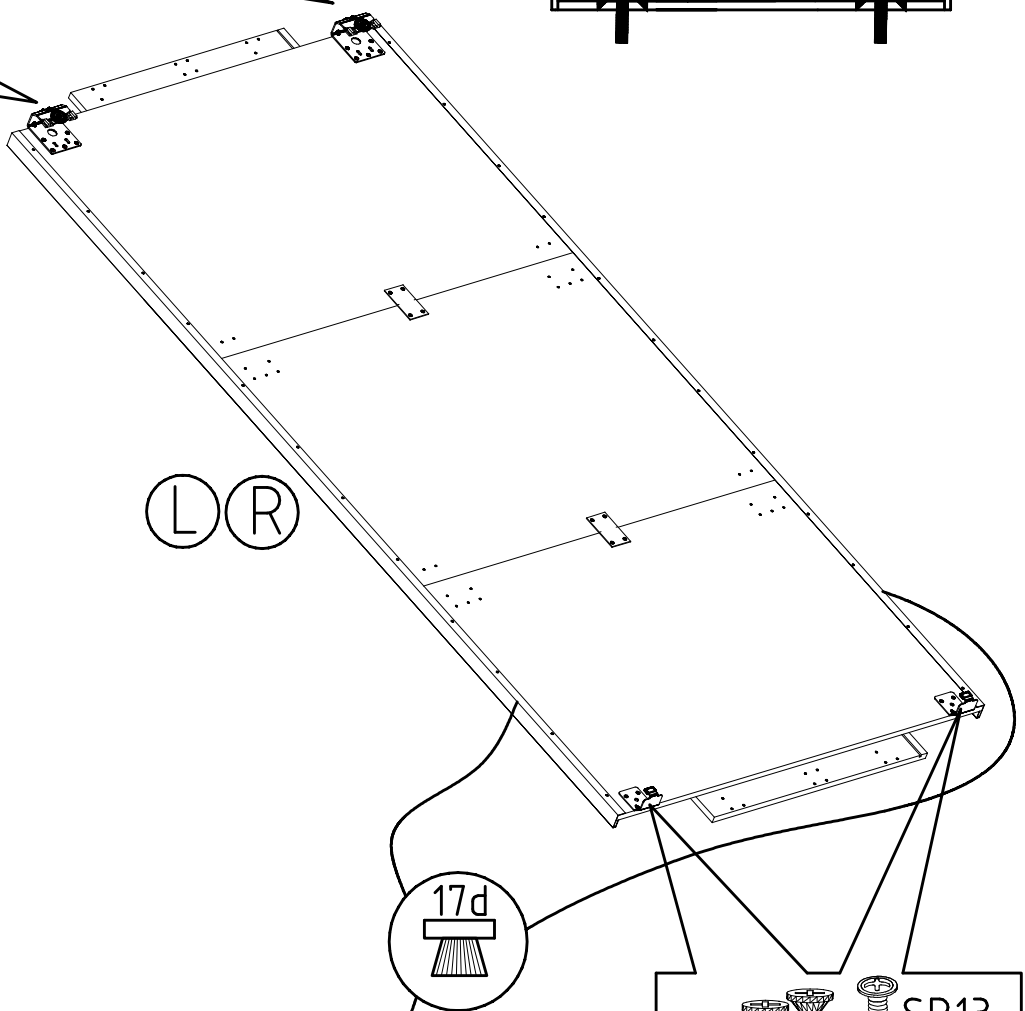
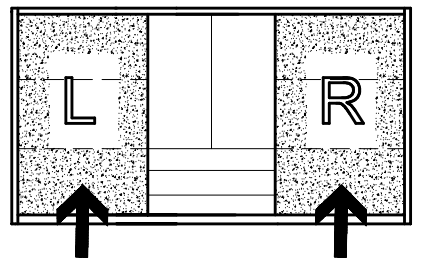
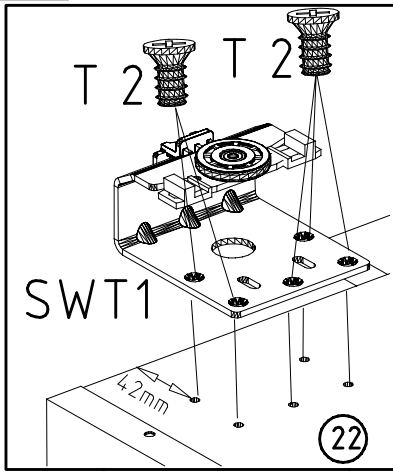
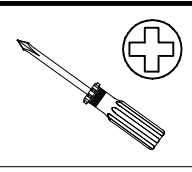
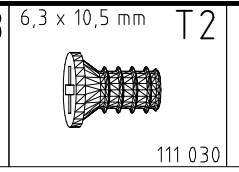
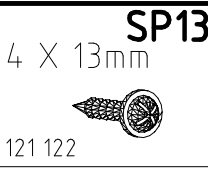
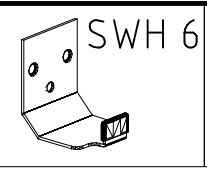
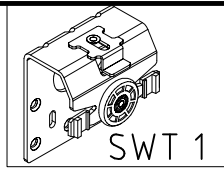


2

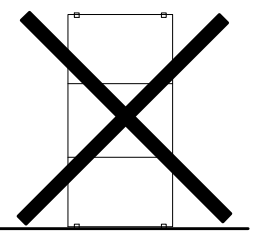
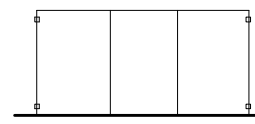
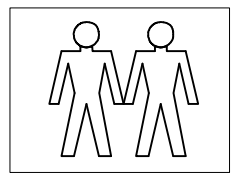
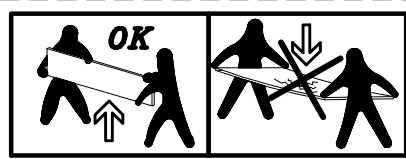
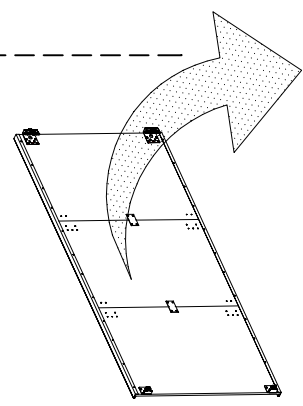
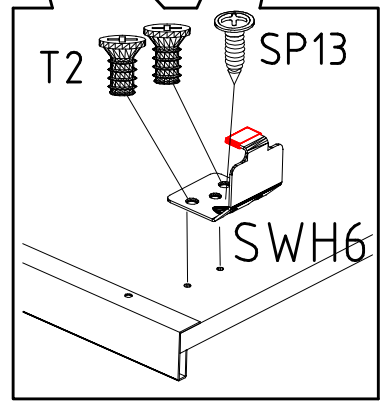
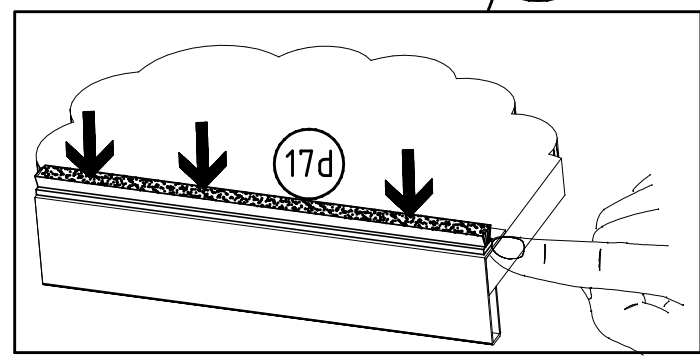
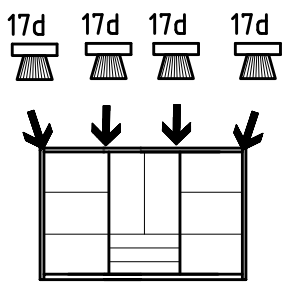
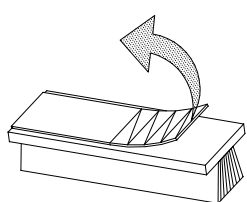
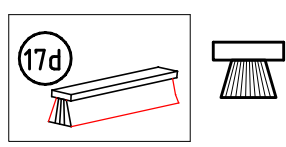
SP13
4 X 13mm
121 122



3



(L) (R)



980718

14.06.17 / -

06 17 | 5/19

4

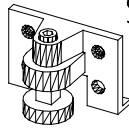
3,5 x 15 mm

G1



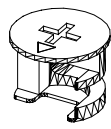
121 370

S0



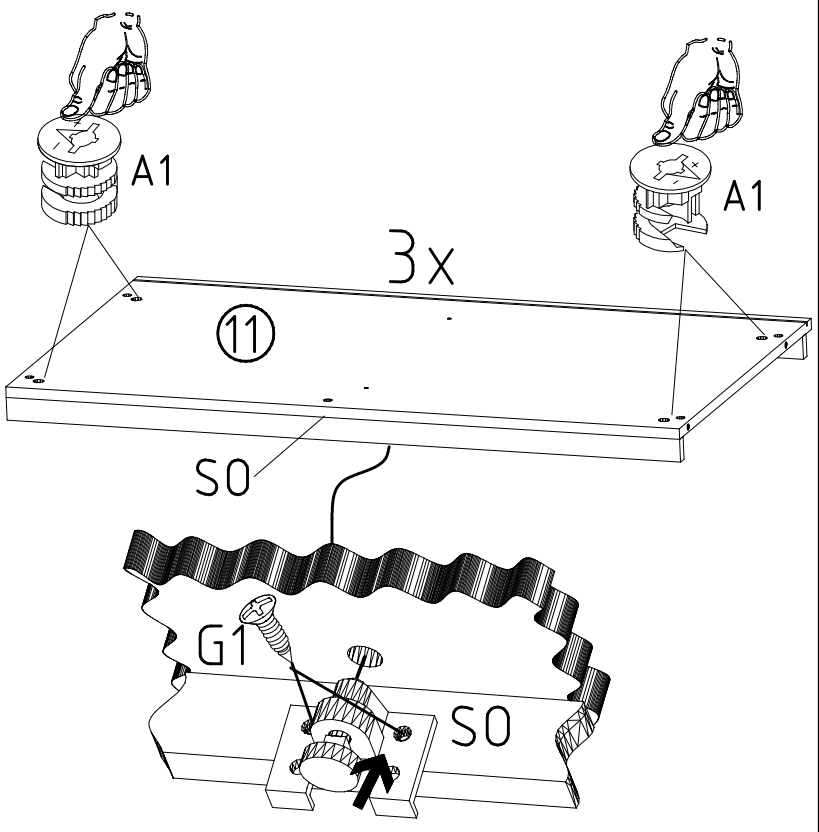
111 300

A1



111 xxx

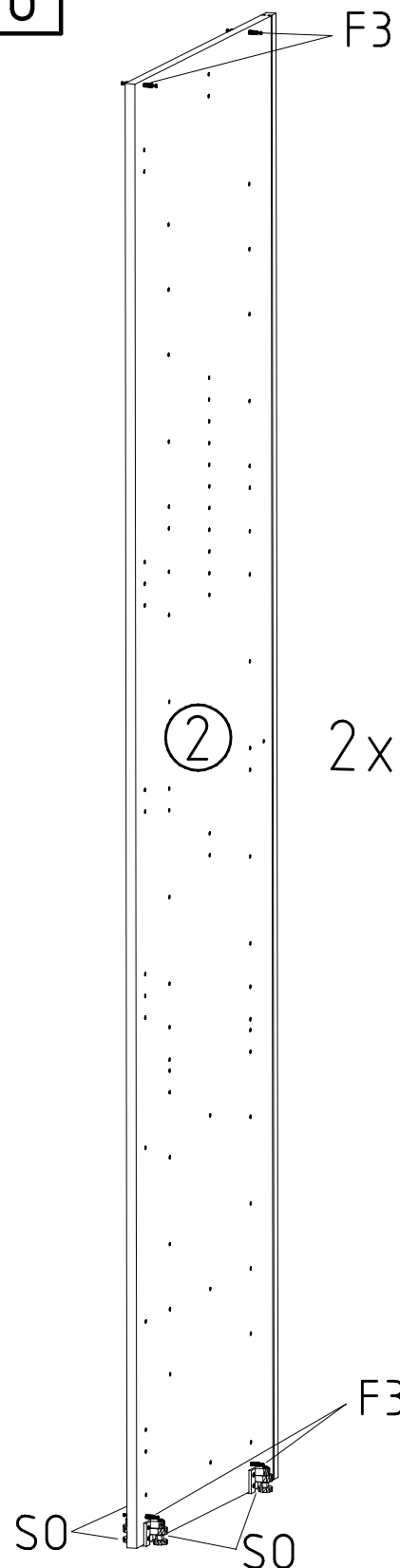
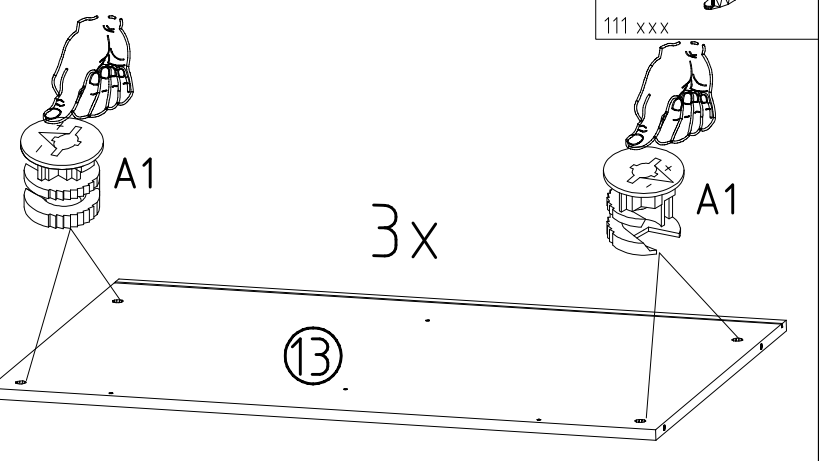
6



5

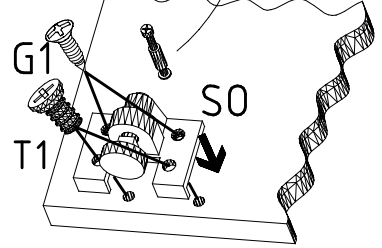
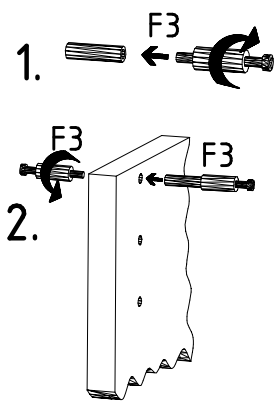
A1

111 xxx



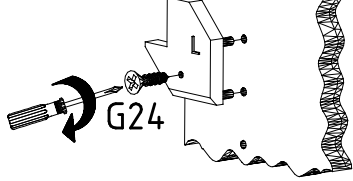
Parts list for step 6:

- Screwdriver (plus sign icon)
- 6,3 x 10,5 mm T1
- 112 055
- 3,5 x 15 mm G1
- 121 370
- Bracket S0 (111 300)
- Pins F3

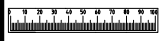
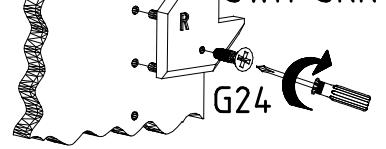


7

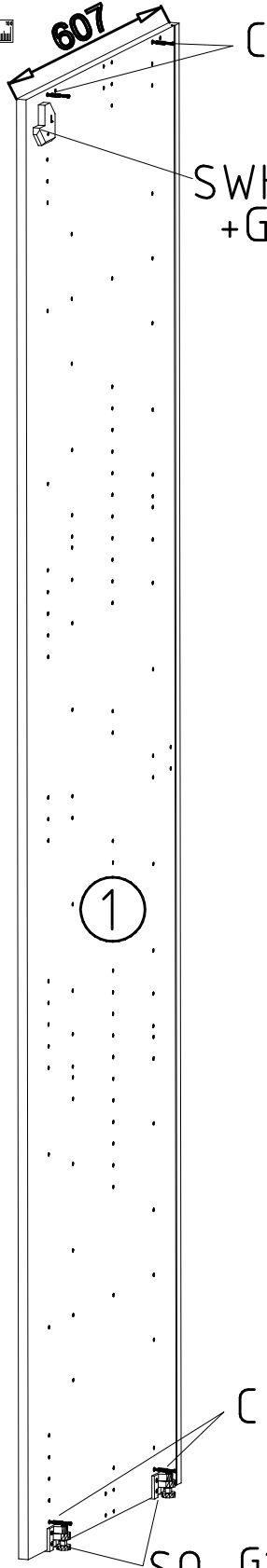
SWH-SKL



SWH-SKR

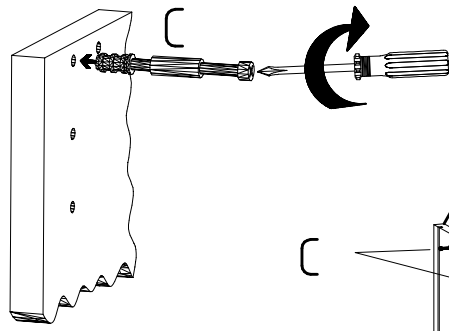


607



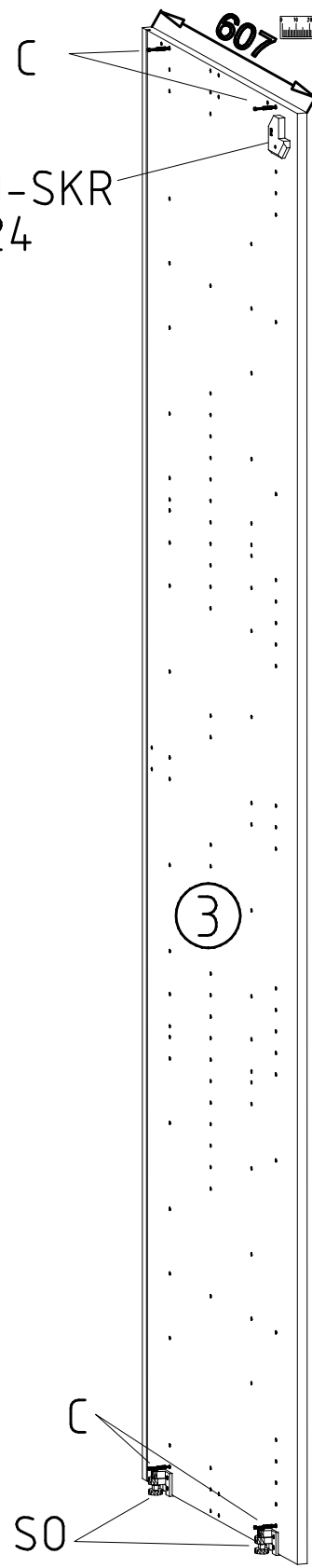
SWH-SKL + G24

1



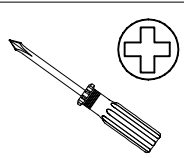
C

607

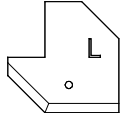


SWH-SKR + G24

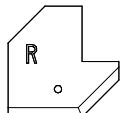
3



SWH-SKL



SWH-SKR

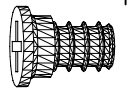


3,5 x 22 mm G24



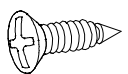
121 004

6,3 x 10,5 mm T1

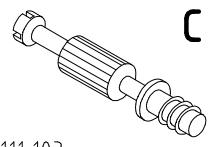


112 055

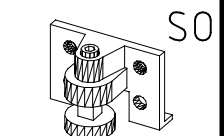
3,5 x 15 mm G1



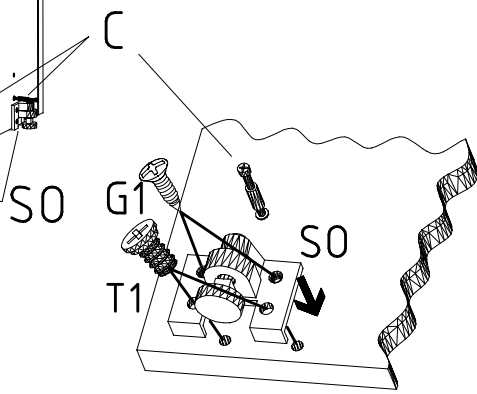
121 370



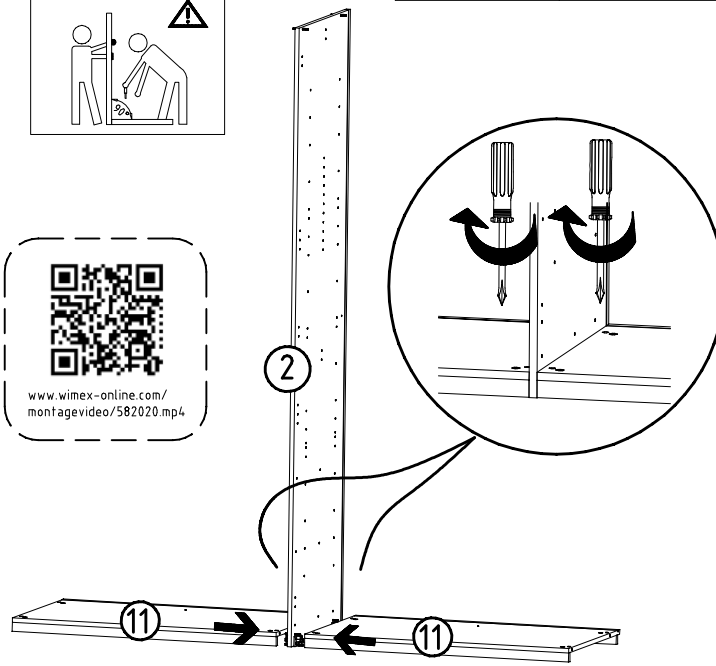
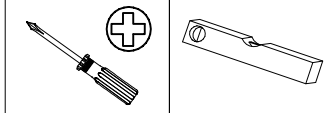
111 103



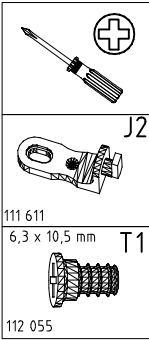
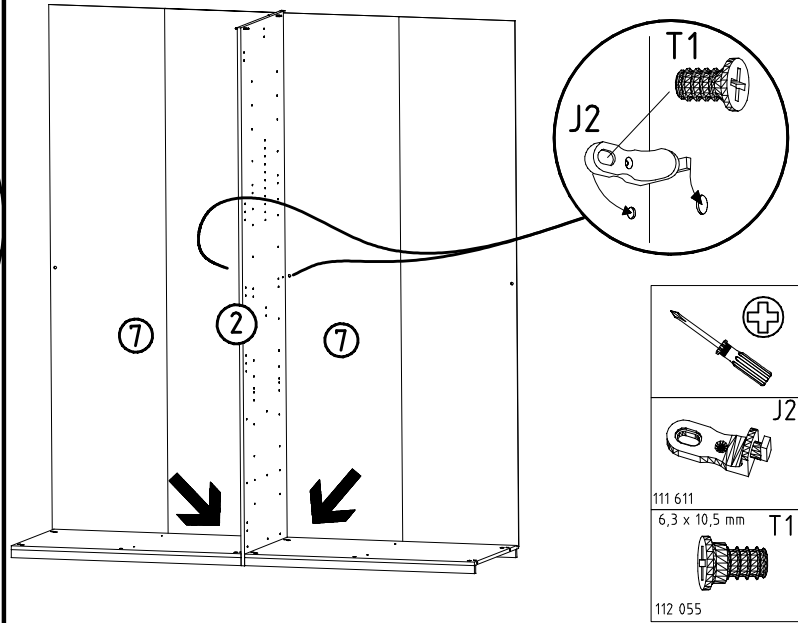
111 300



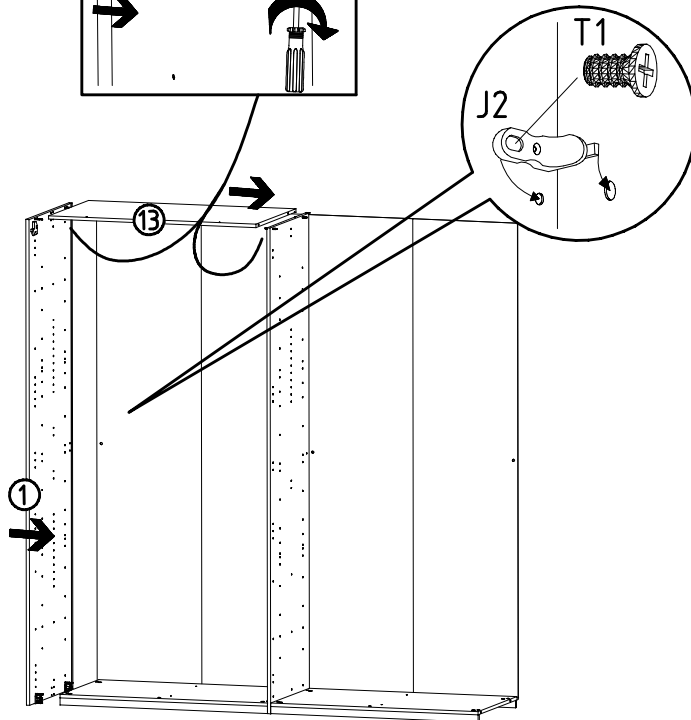
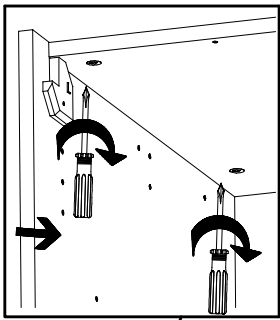
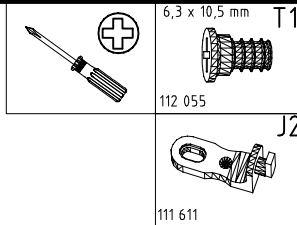
8



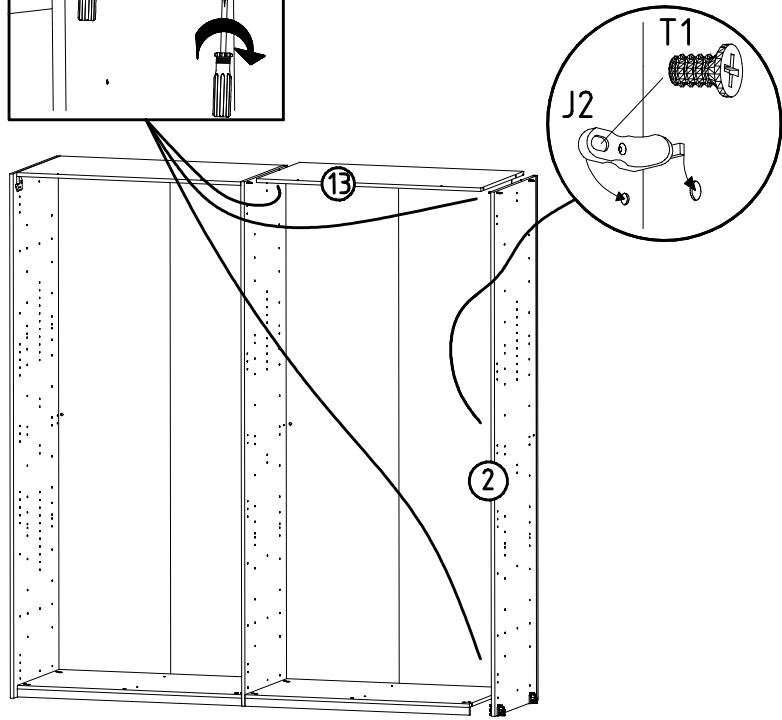
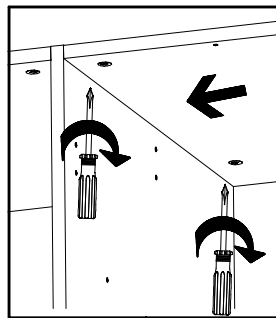
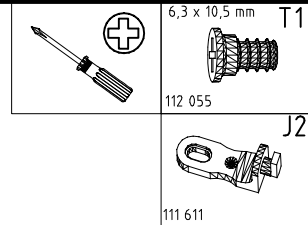
9



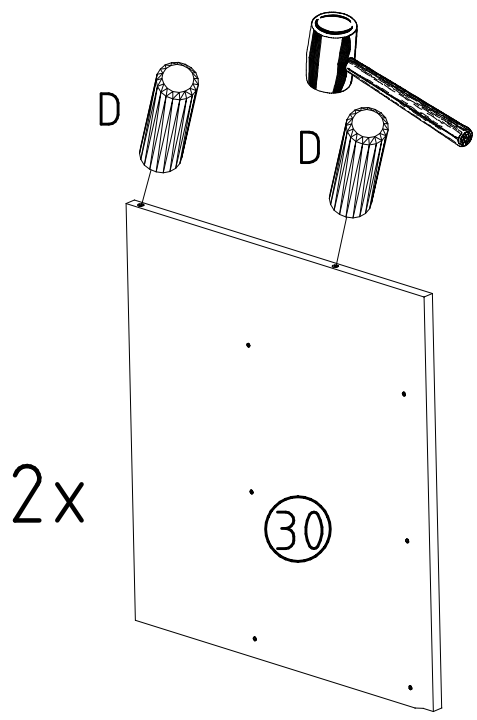
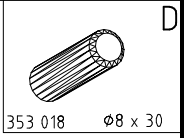
10



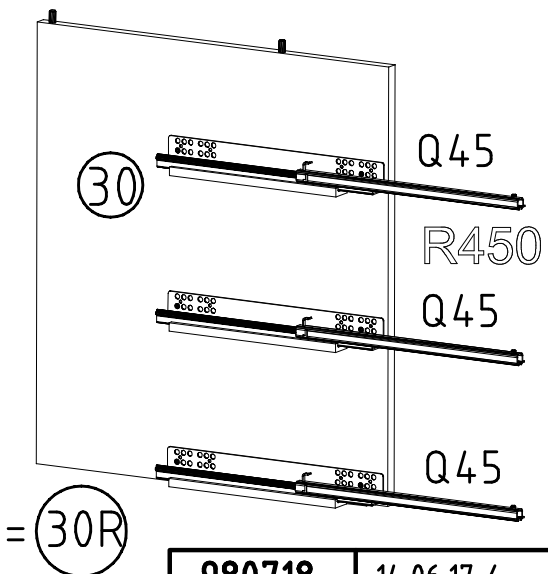
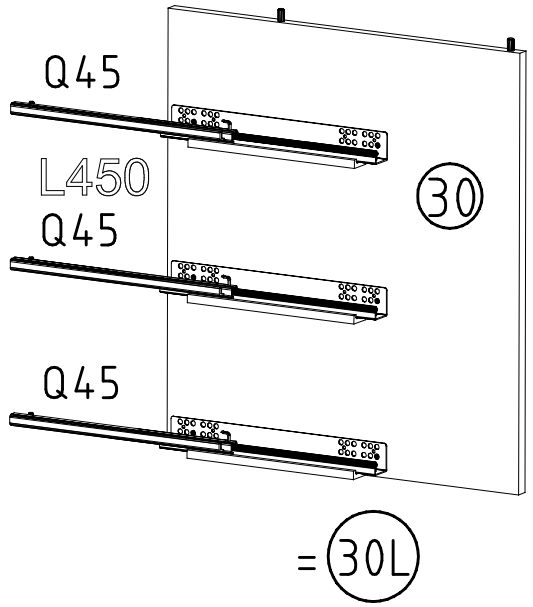
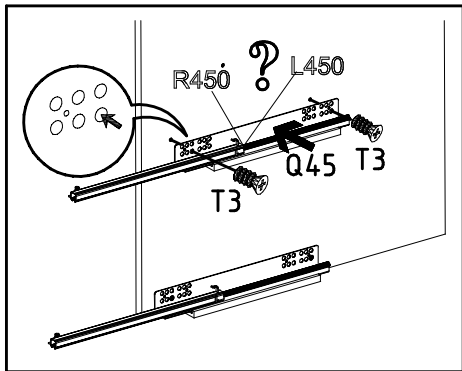
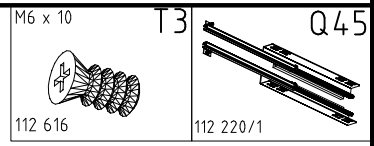
11



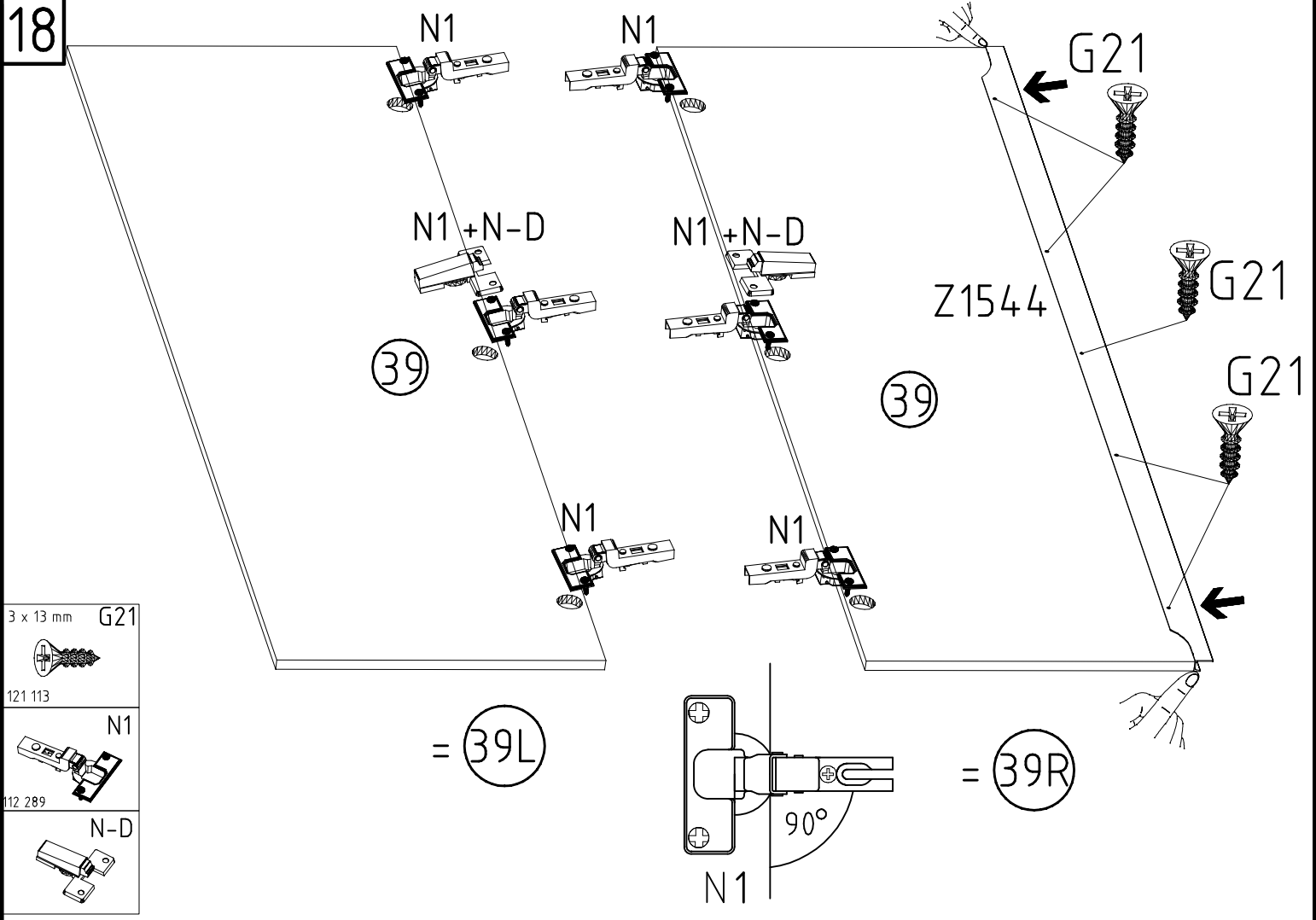
16



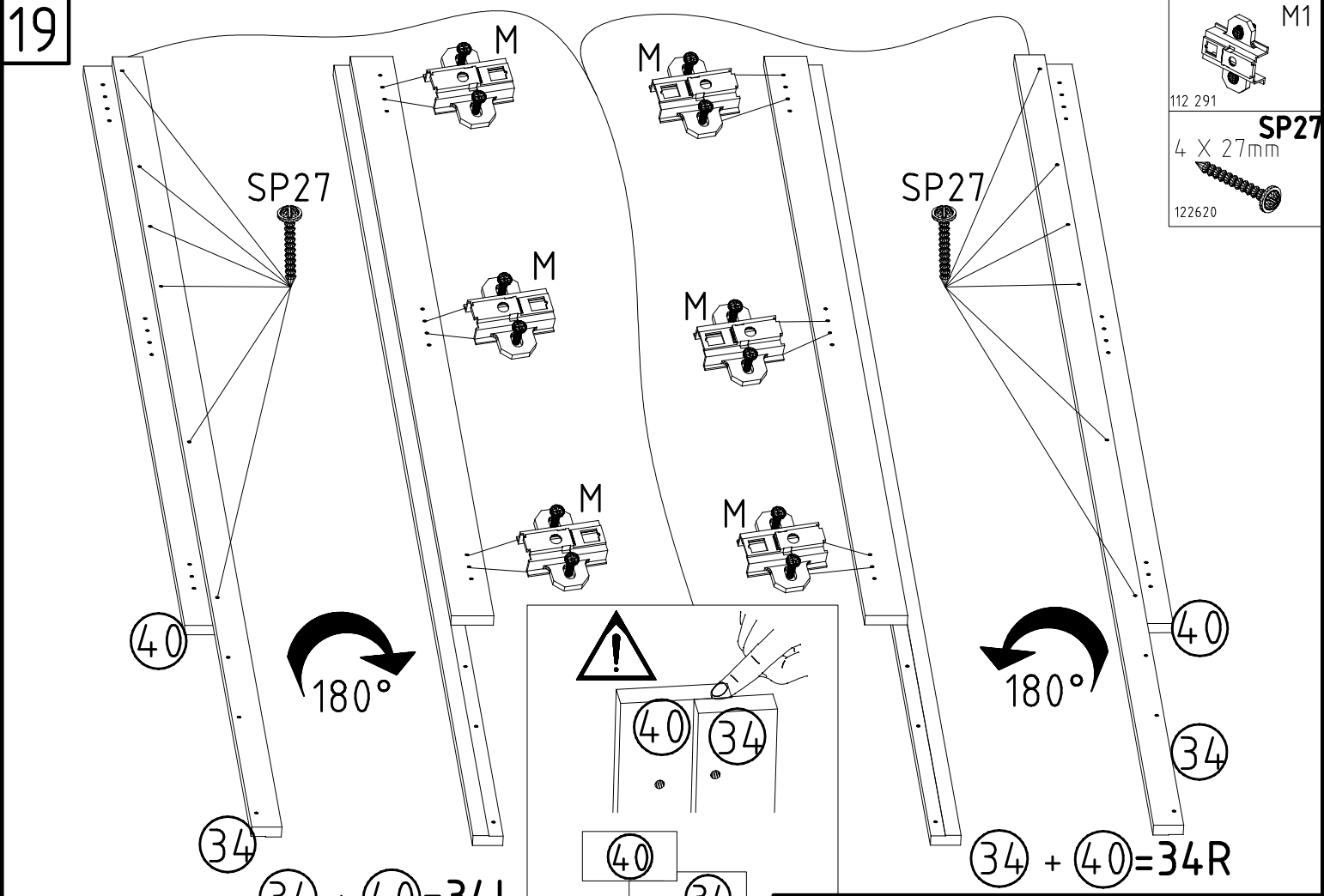
17



18

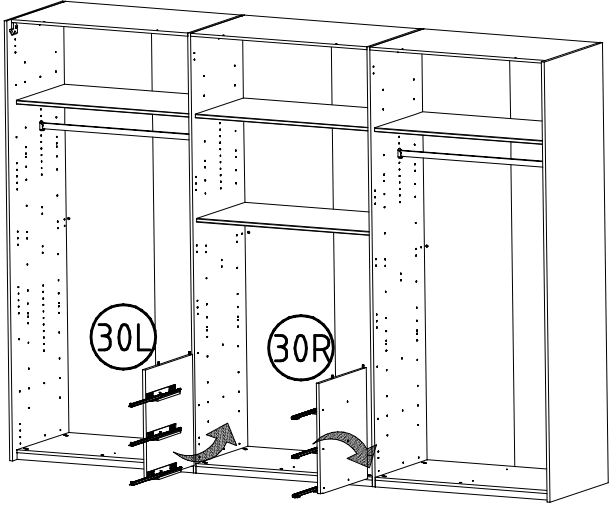


19

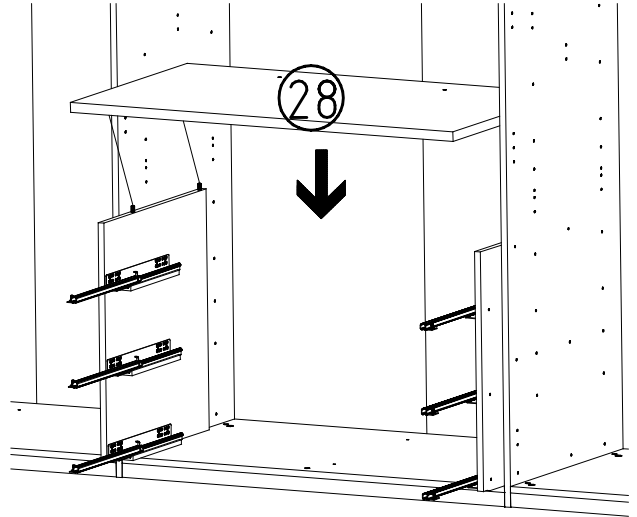


20

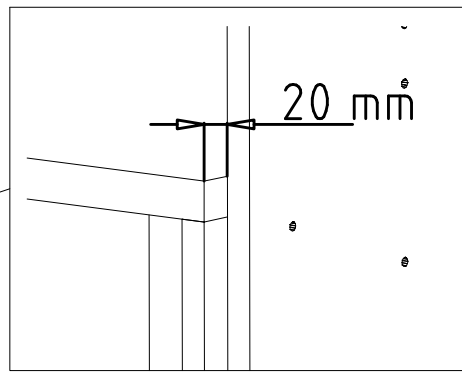
I.



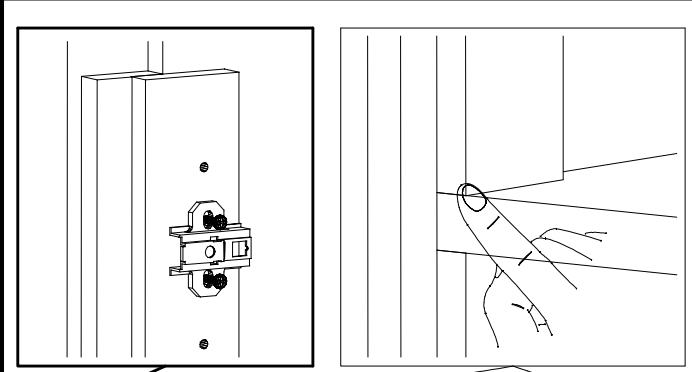
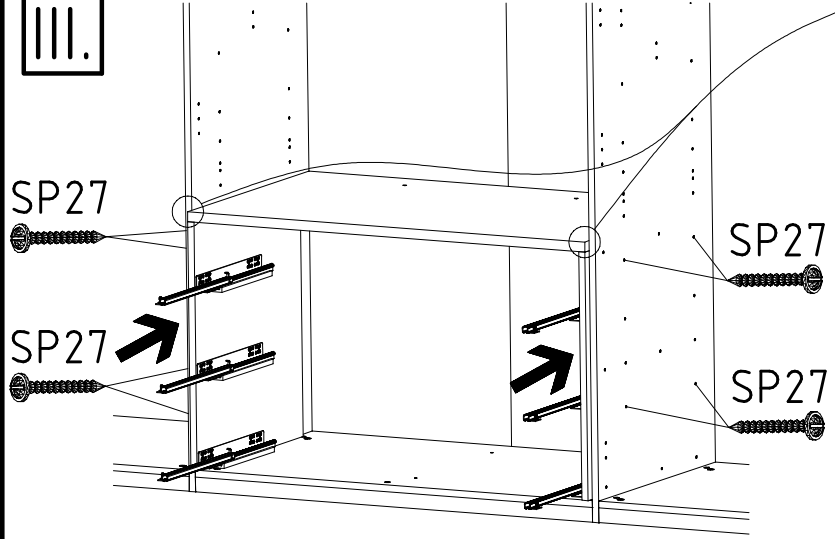
II.



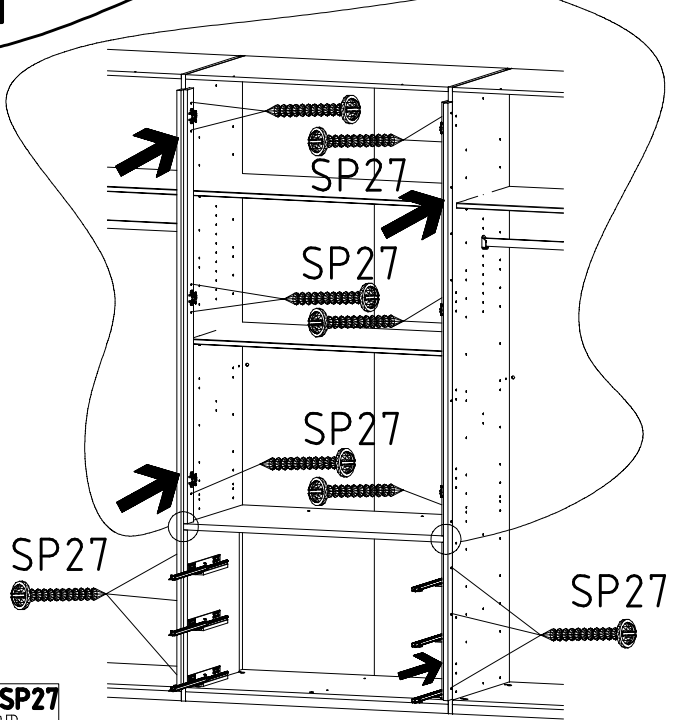
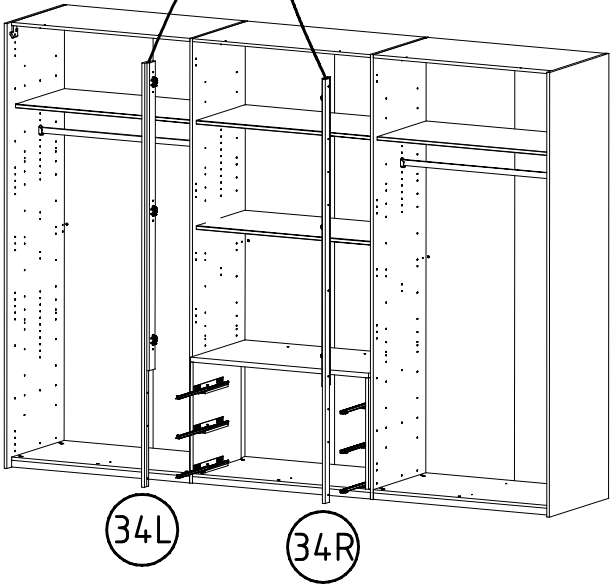
SP27
4 X 27mm
122620



III.



21



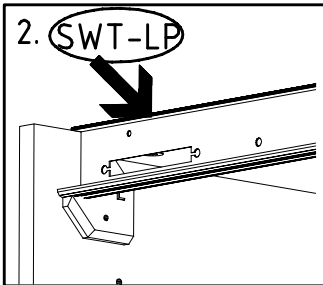
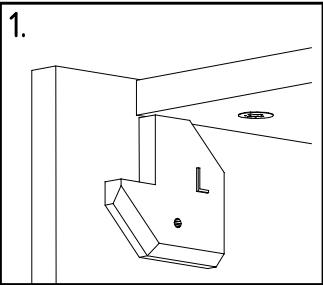
SP27
4 X 27mm
122620

980718

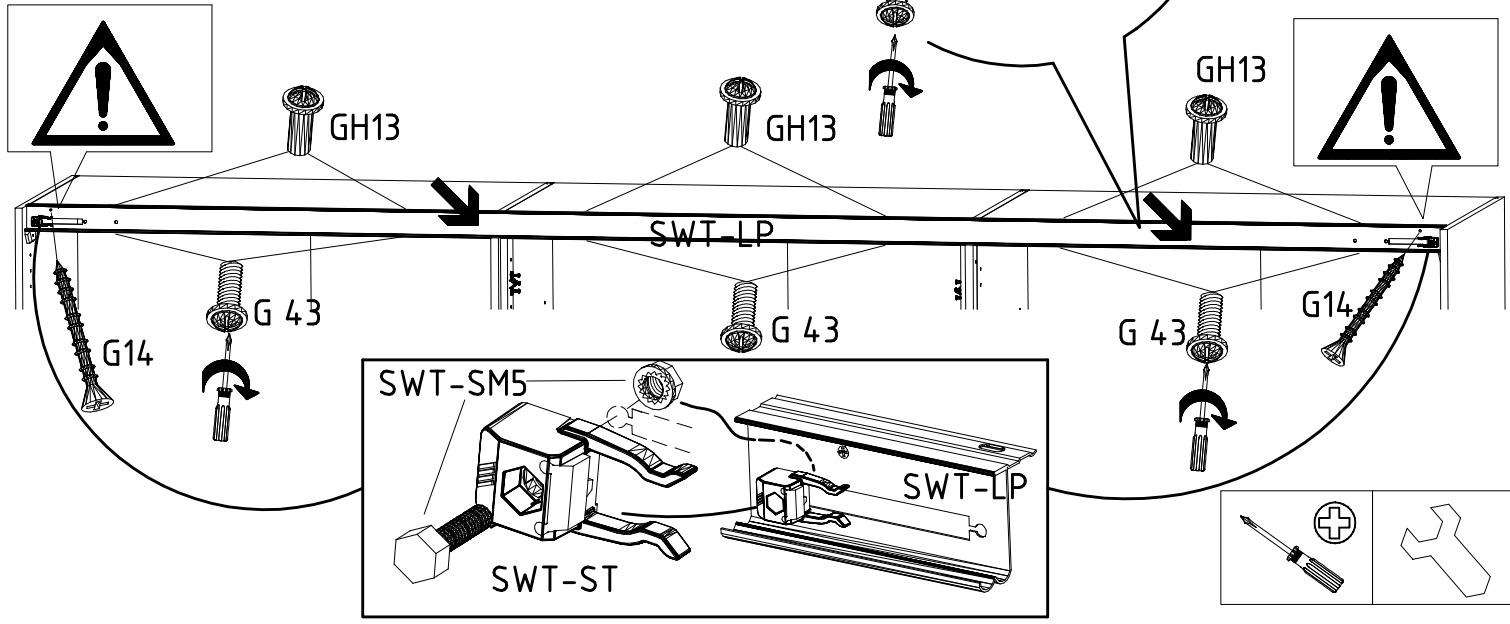
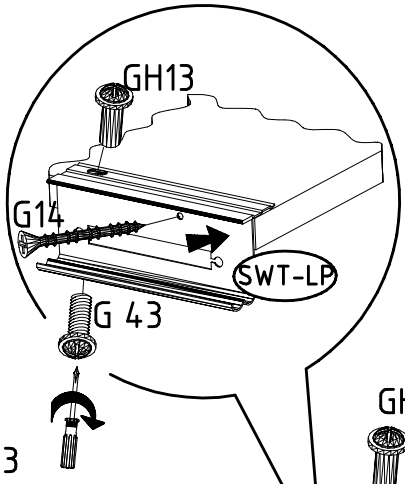
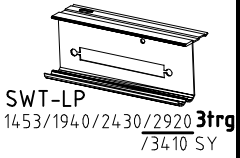
14.06.17 / -

06 17 | 12/19

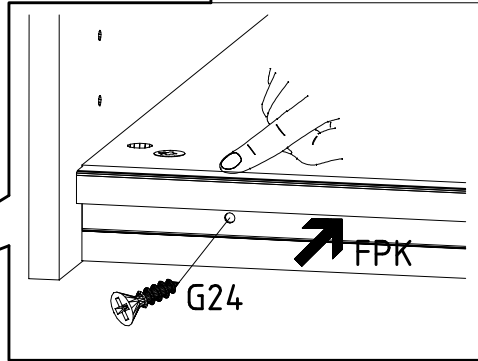
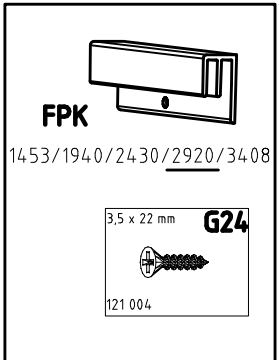
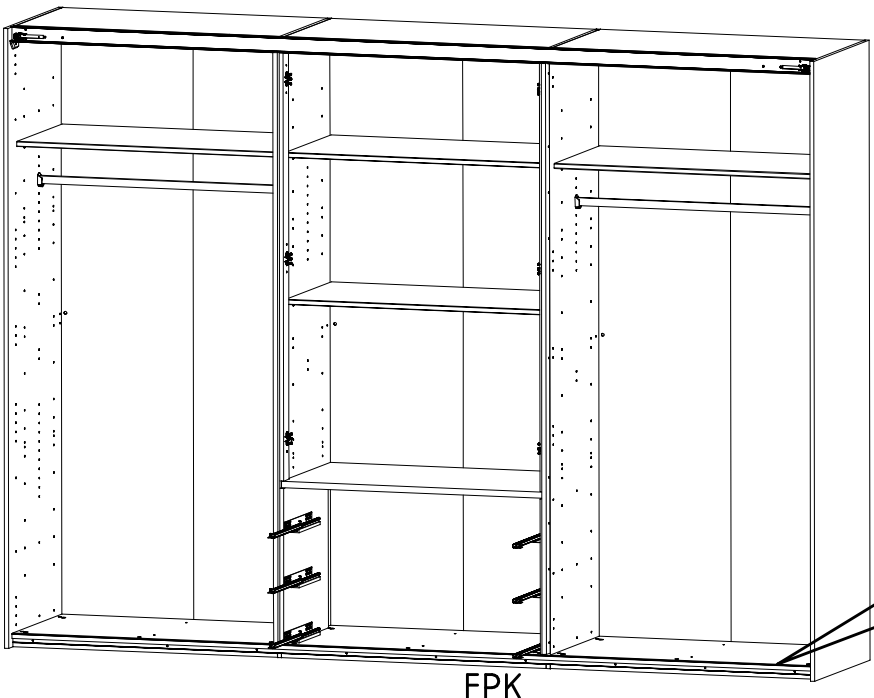
22



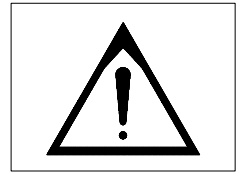
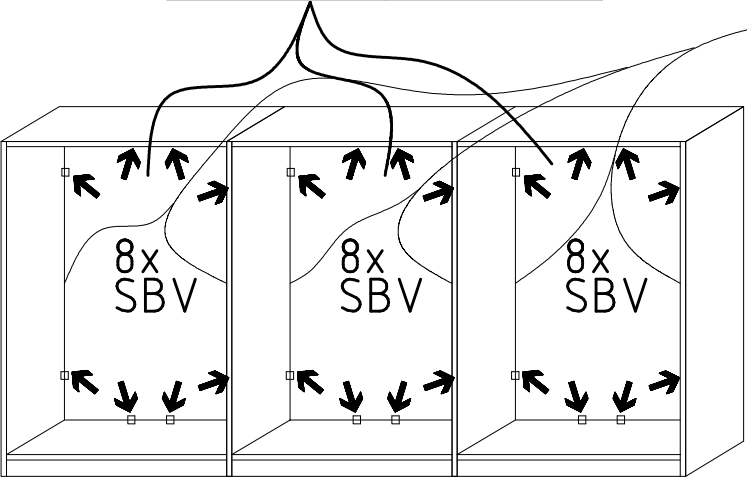
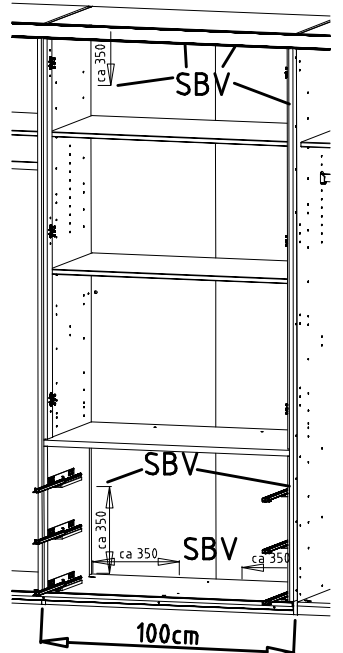
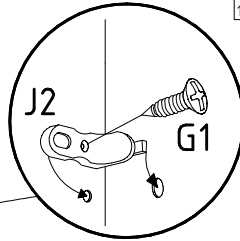
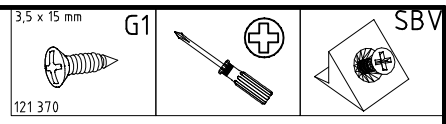
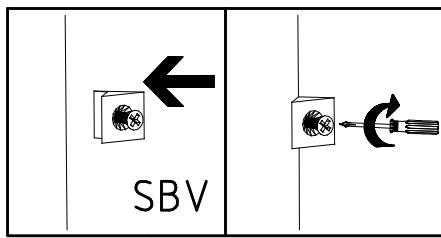
M4 x 10 mm G43 121 xxx	M4 x 13 mm GH13 121 xxx	3,5 x 35 mm G14 121 375	SWT-ST	SWT-SM5
------------------------------	-------------------------------	-------------------------------	--------	---------



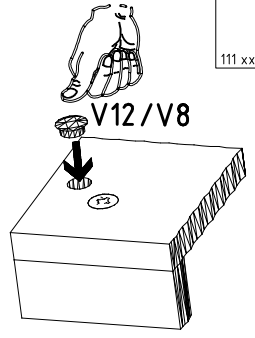
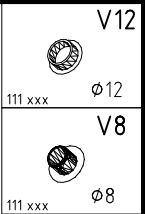
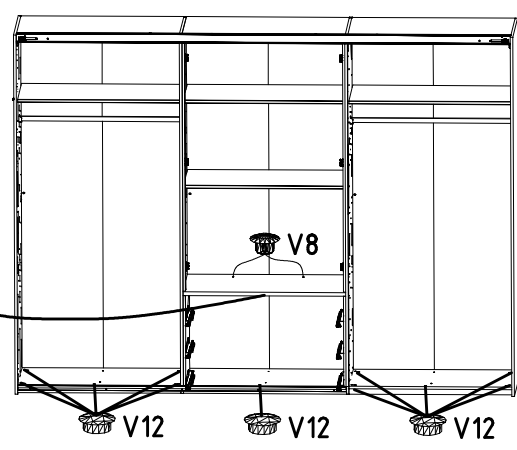
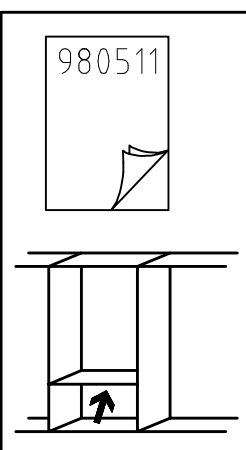
23



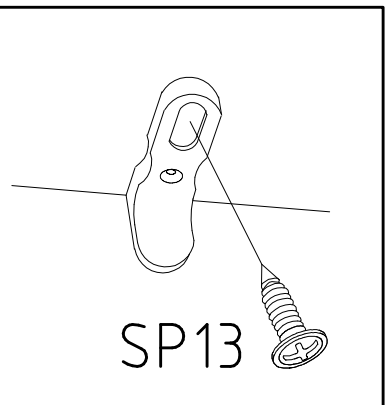
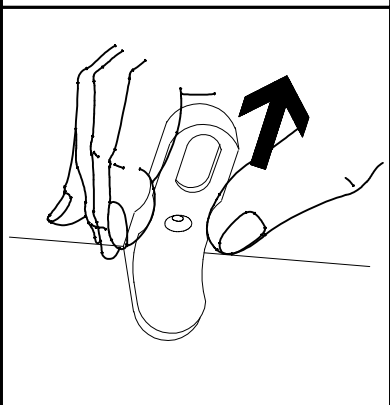
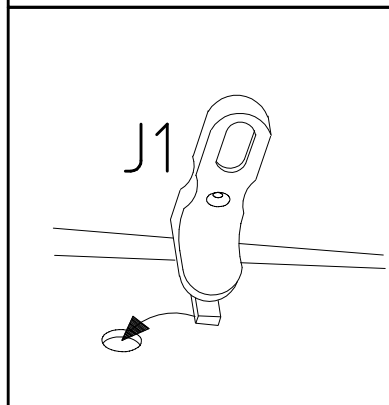
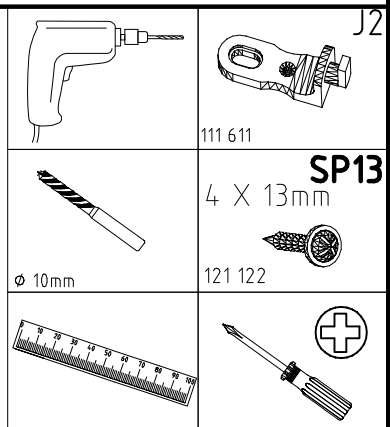
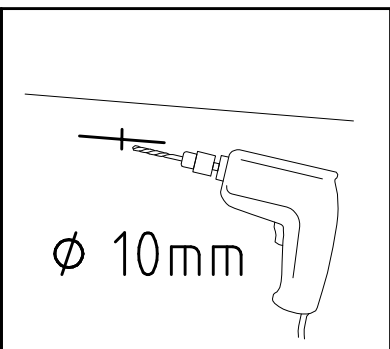
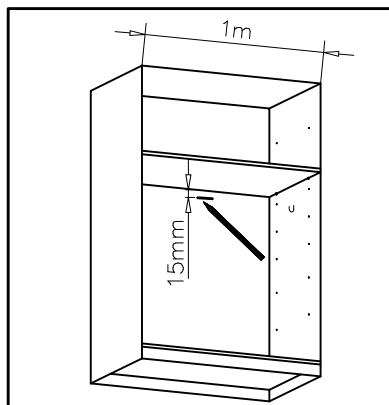
24



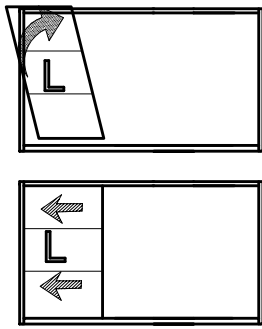
25



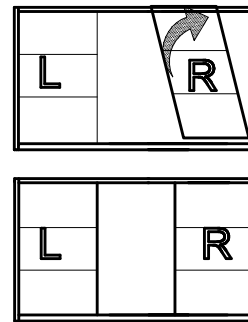
26



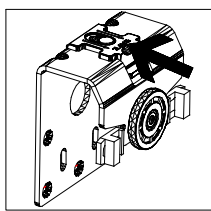
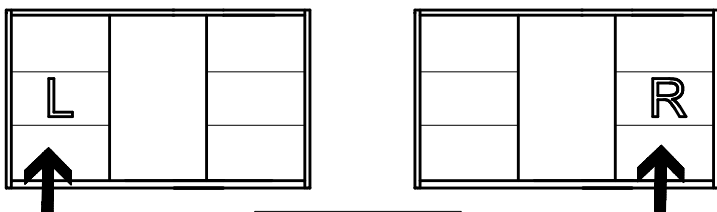
27



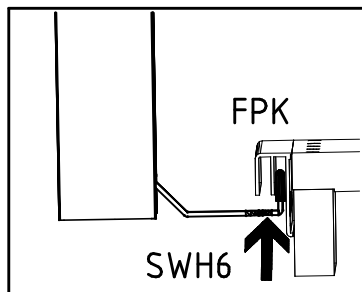
28



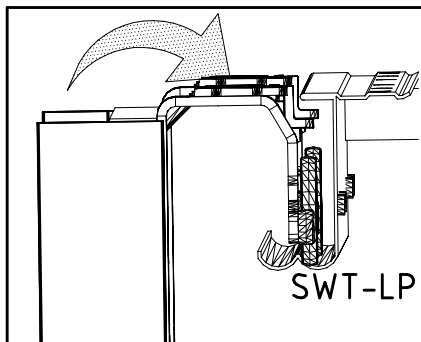
27 + 28



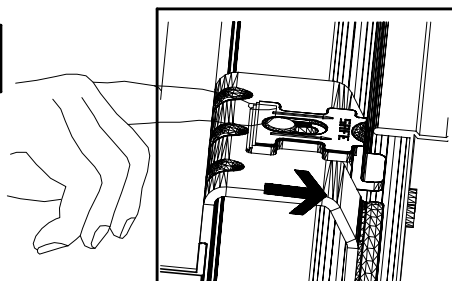
I.



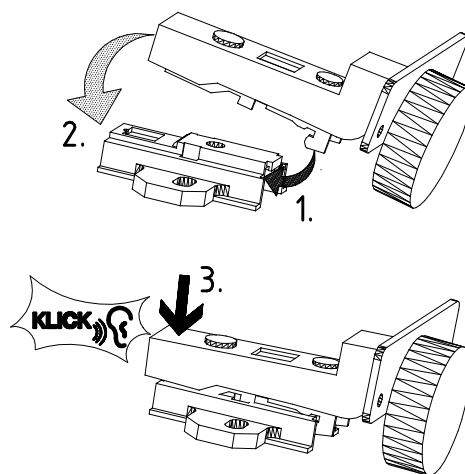
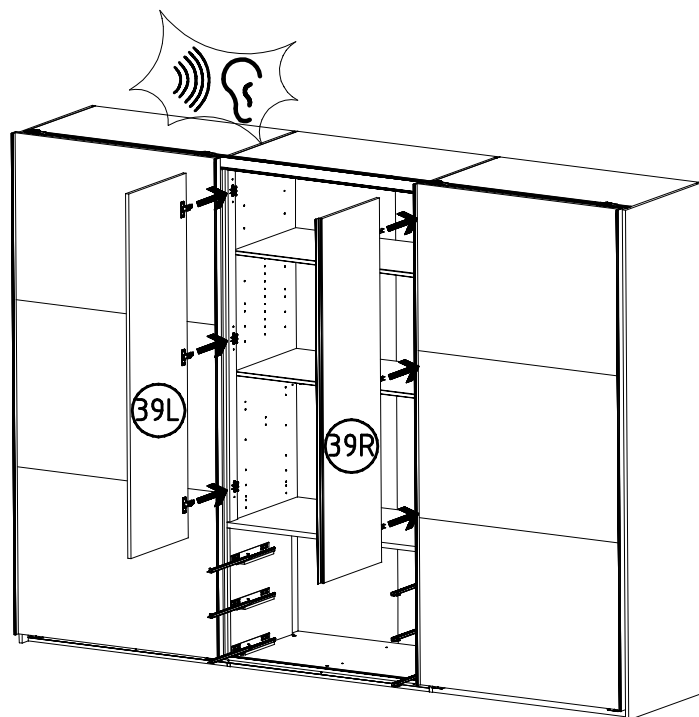
II.



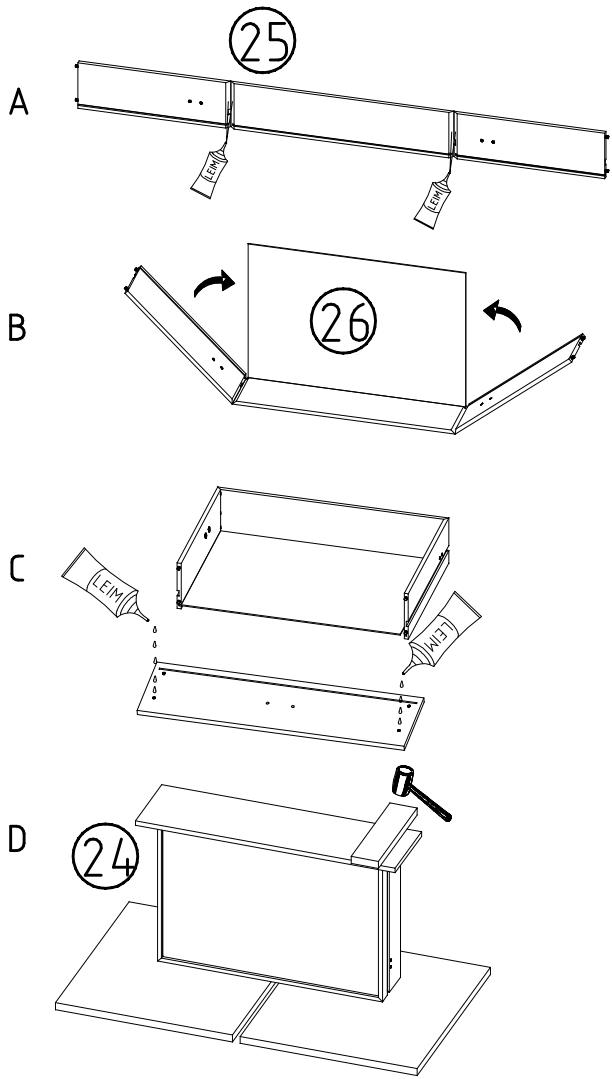
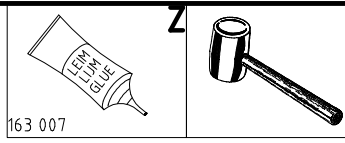
III.



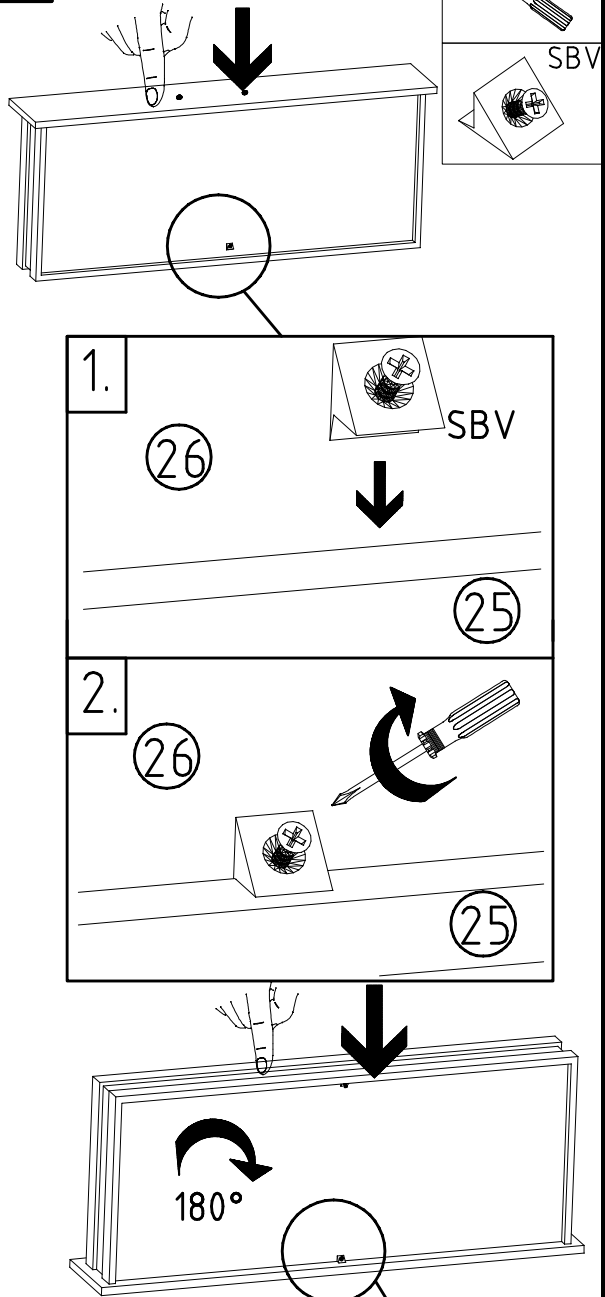
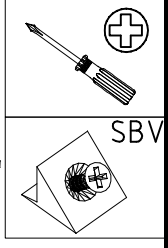
29



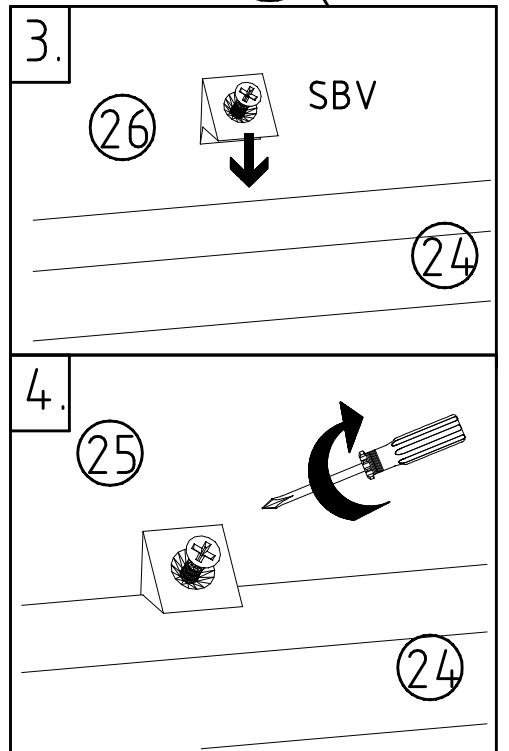
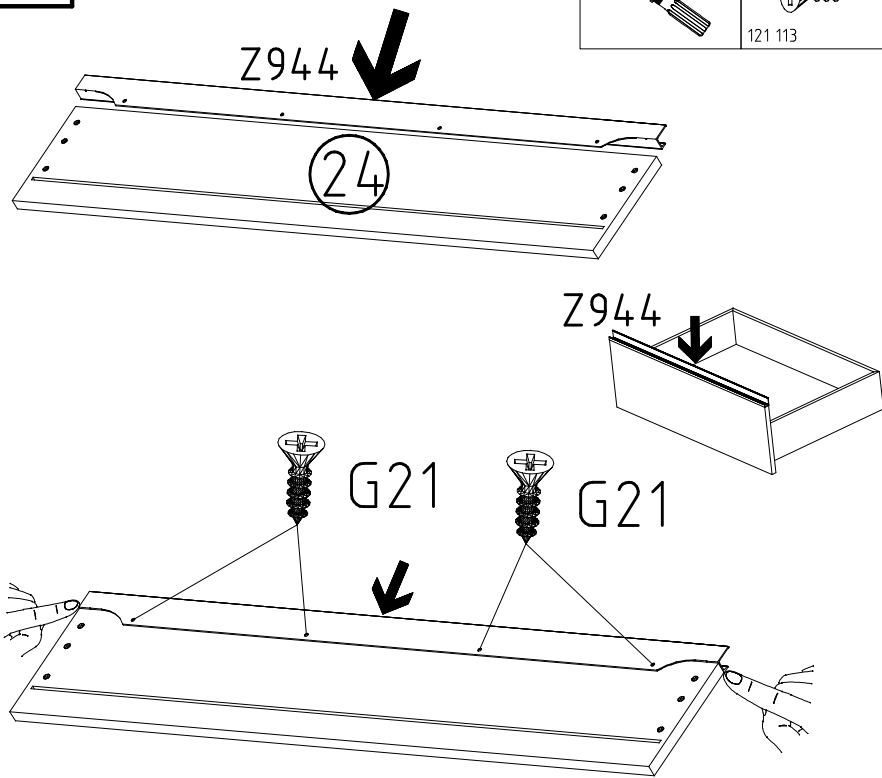
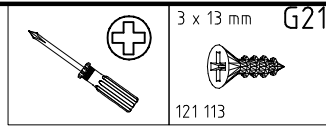
30



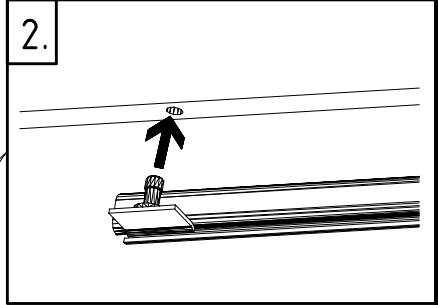
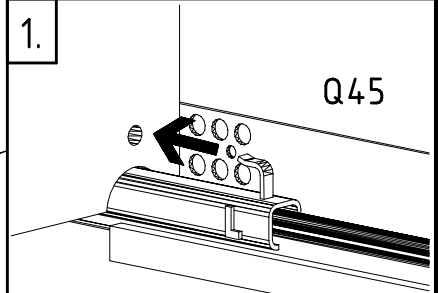
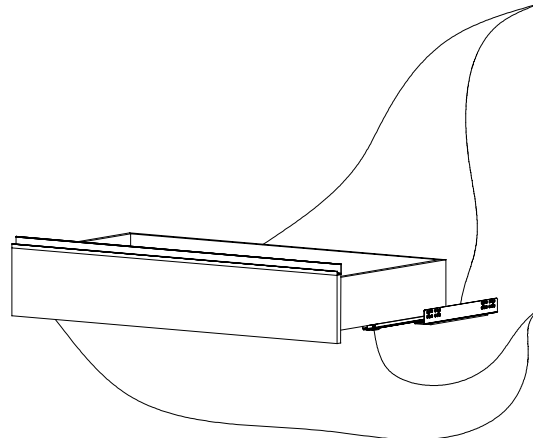
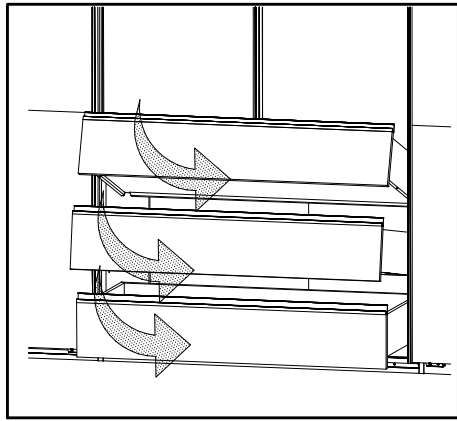
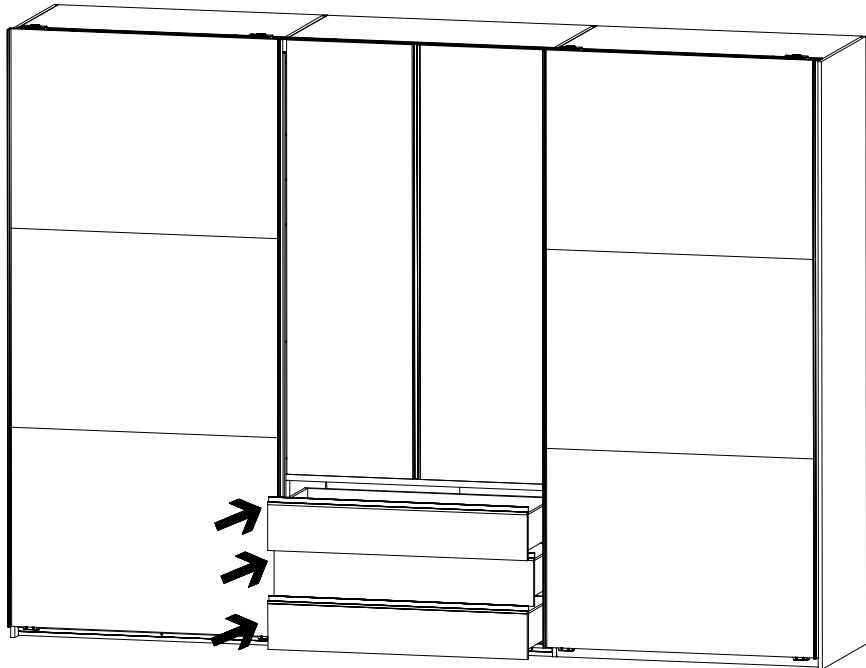
32



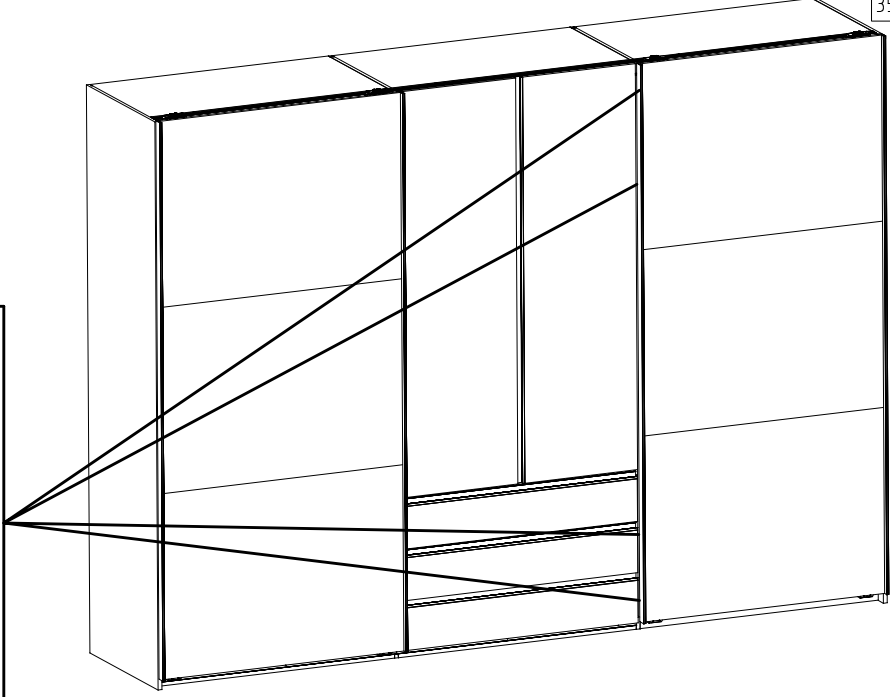
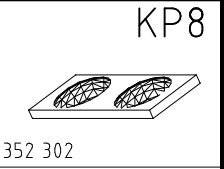
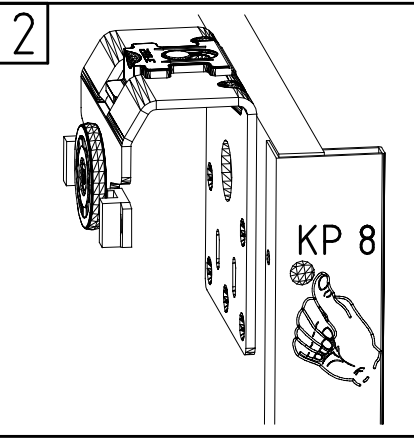
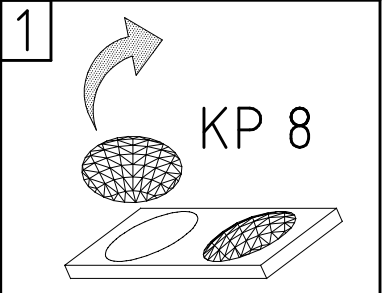
31



33

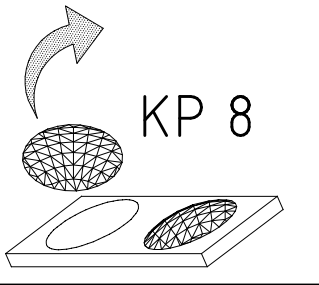


34

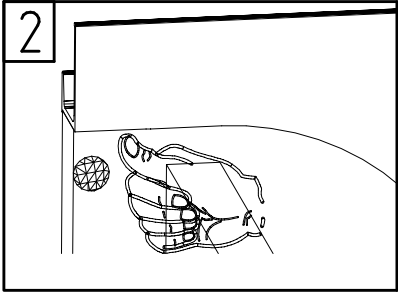


35

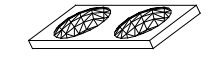
1



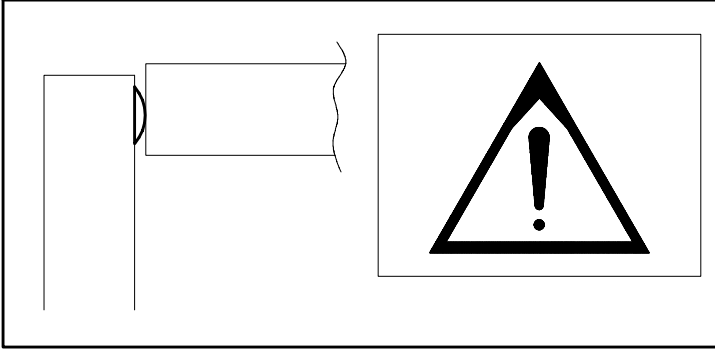
2



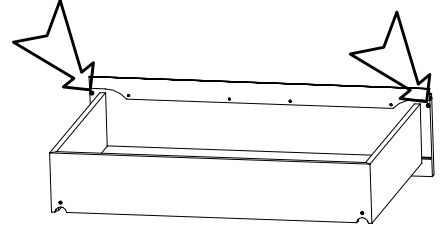
KP8



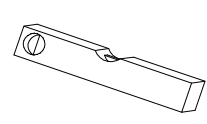
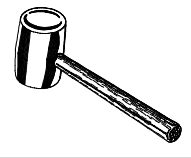
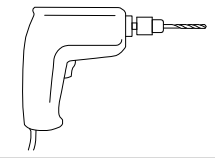
352 302



KP 8



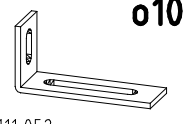
36



SP13
4 X 13mm



121 122



111 052

