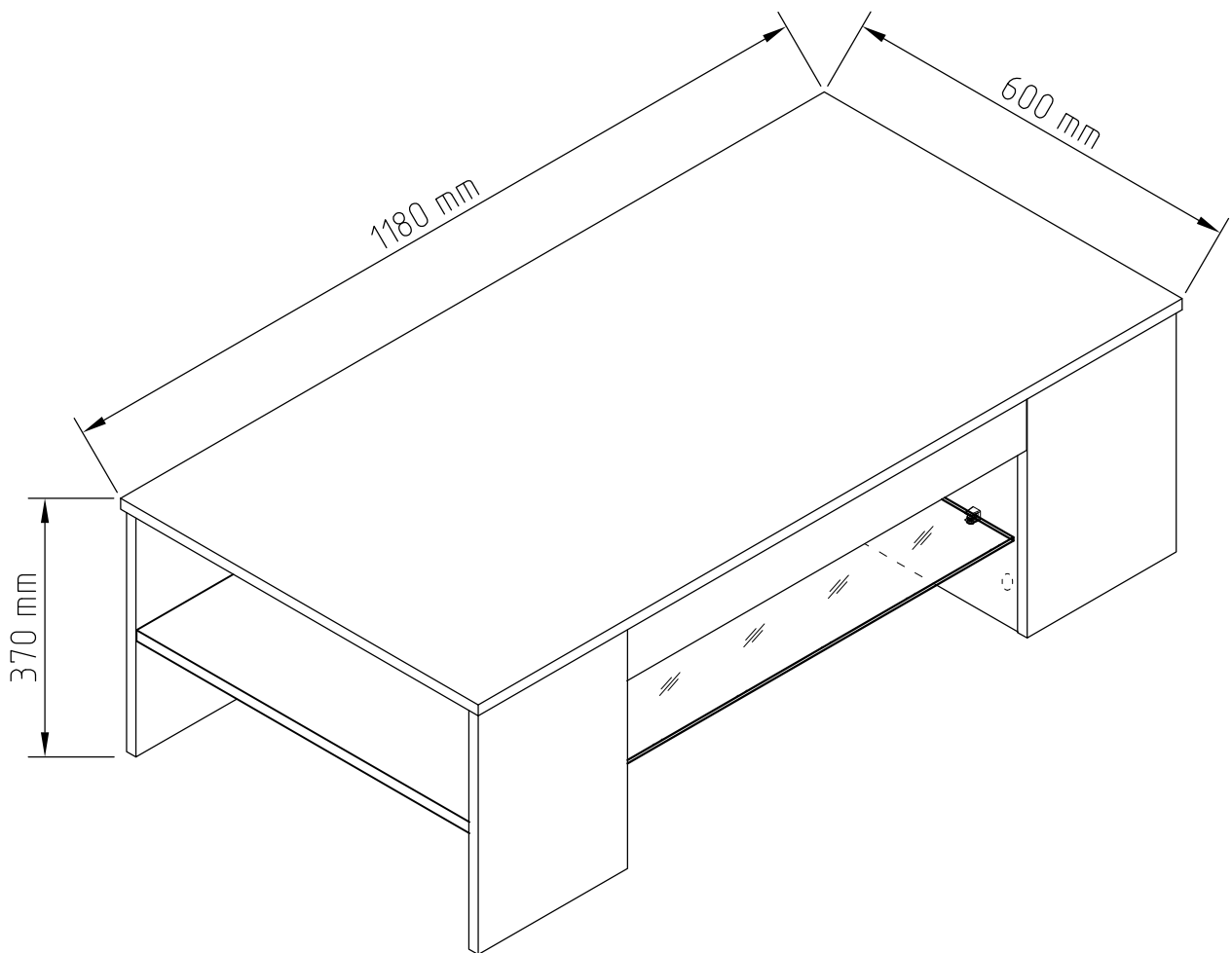
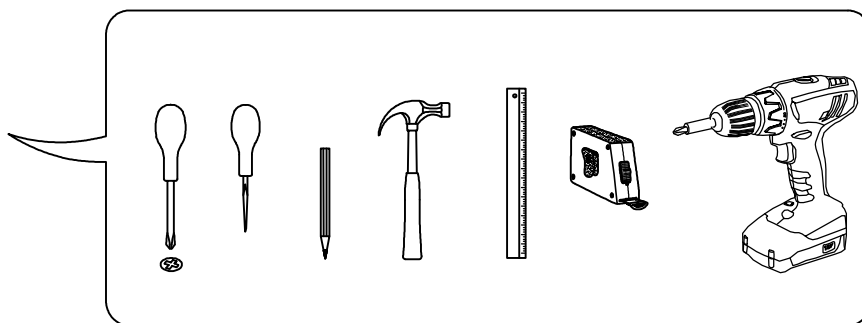
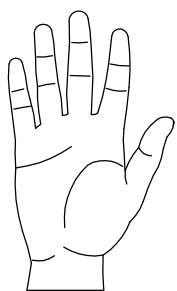
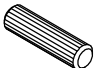
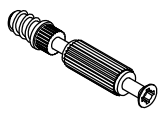


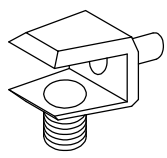

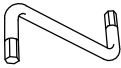


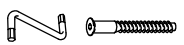
PERLA

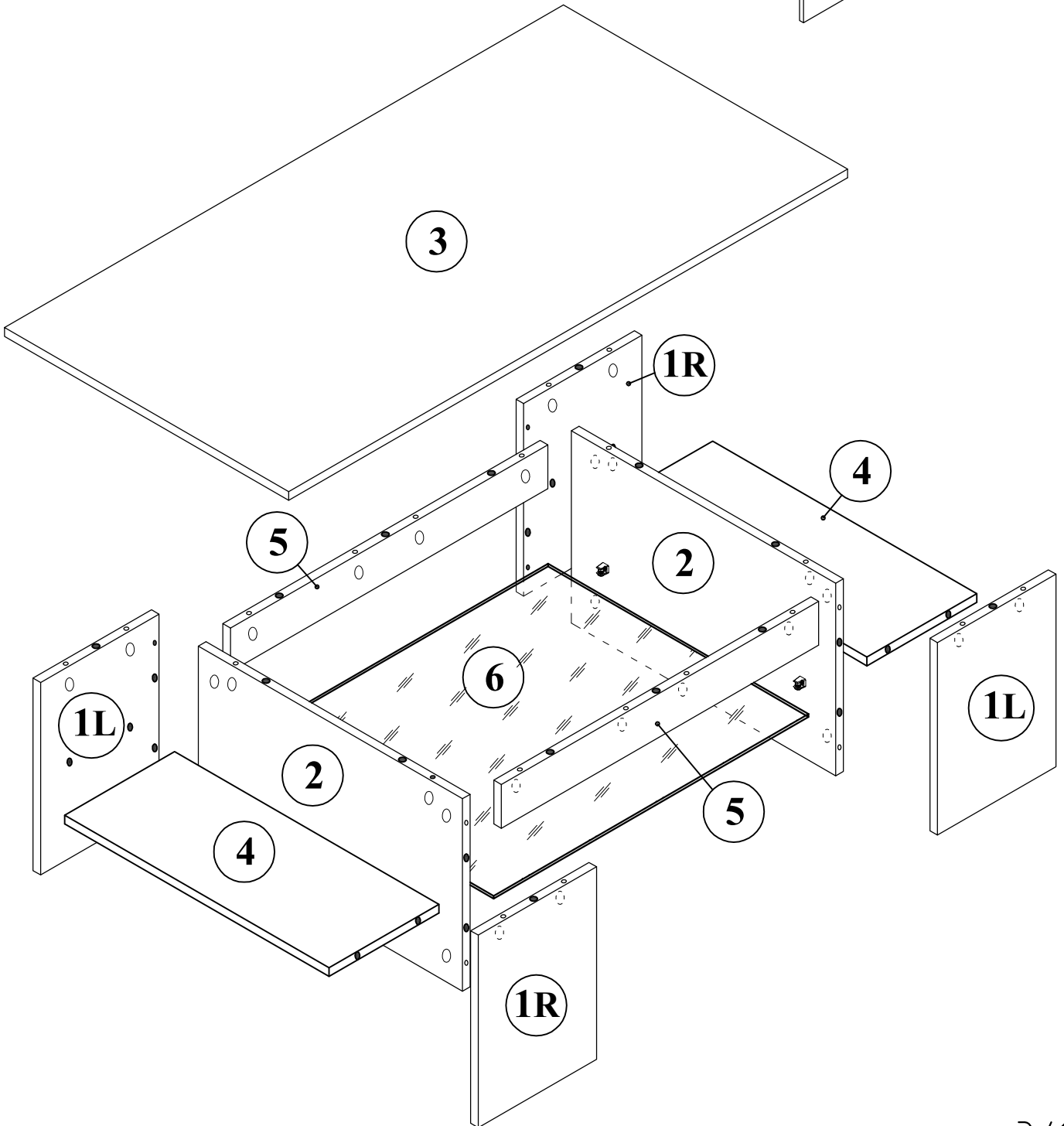
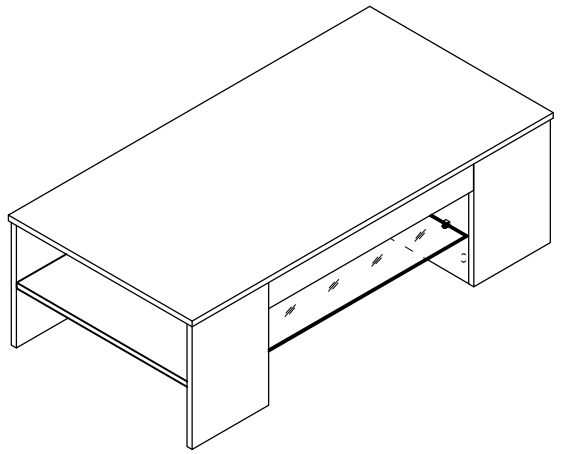
Klubska miza

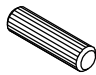
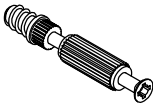





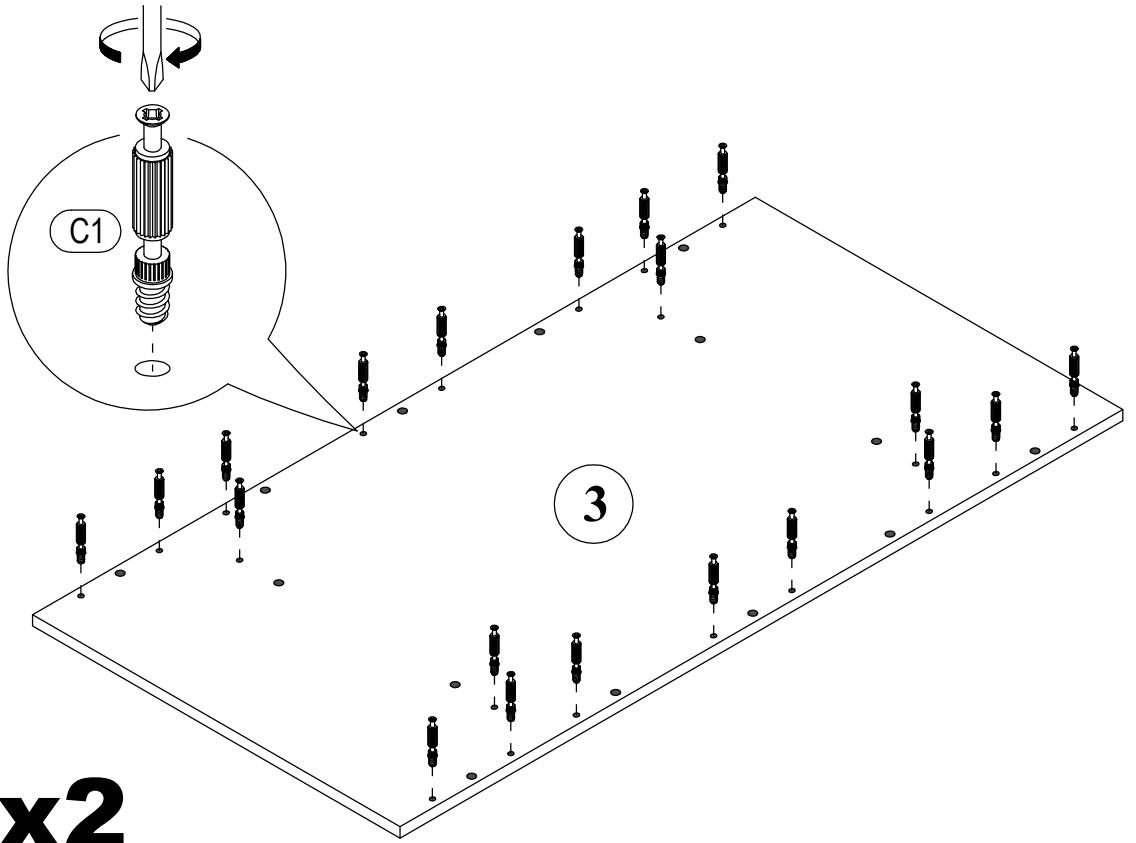
 (A1) 8*30mm x30	 (C1) 6*43mm x28	 (D) ϕ 20mm x28
 (D1) 15/16 x28	 (J3) x4	 (K1) x8
 (R4) N°4 x1		

No	a*b	x	N°→...
1L	352x250	x2	
1R	352x250	x2	
2	352x558	x2	
3	1180x600	x1	
4	558x232	x2	
5	670x80	x2	
6	665x550	x1	
		x1	

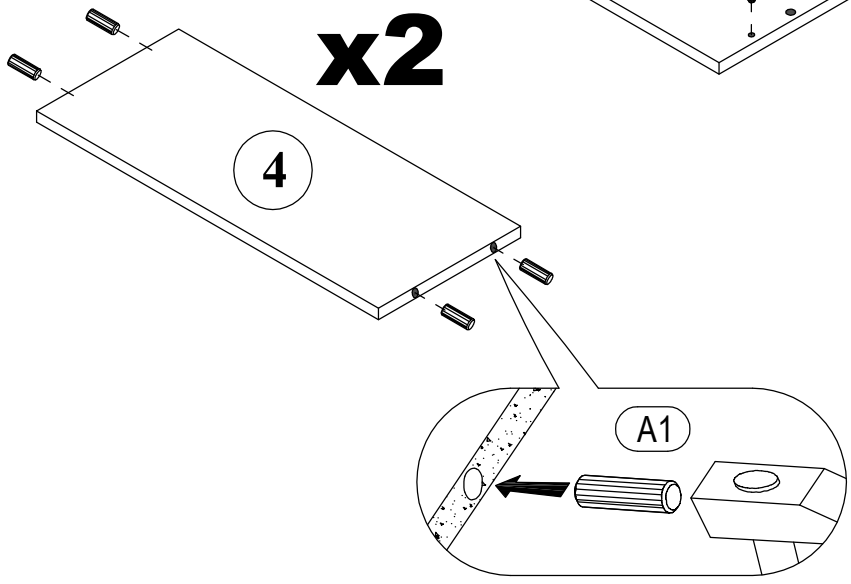


 <p>A1 8*30mm x14</p>	 <p>C1 6*43mm x20</p>	 <p>D1 15/16 x8</p>
---	---	---

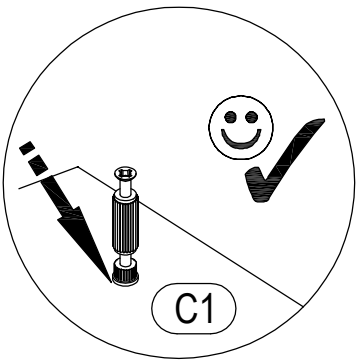
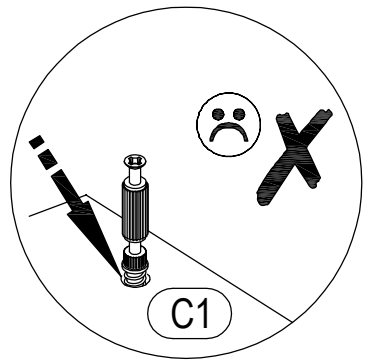
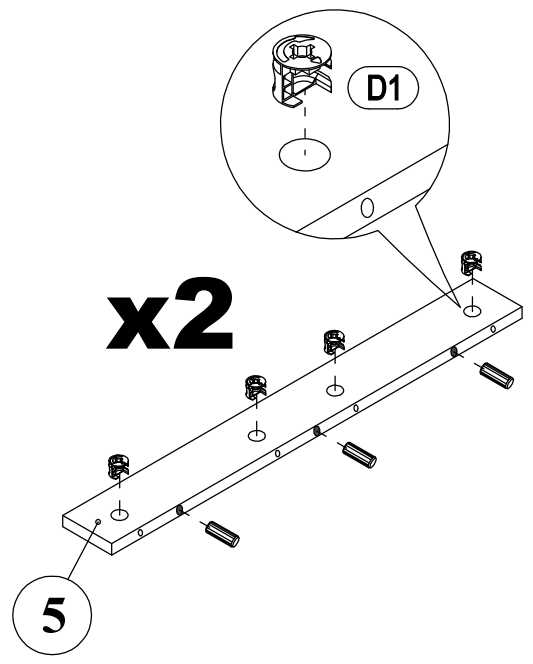
1

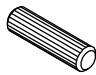
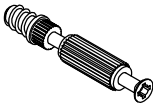




x2



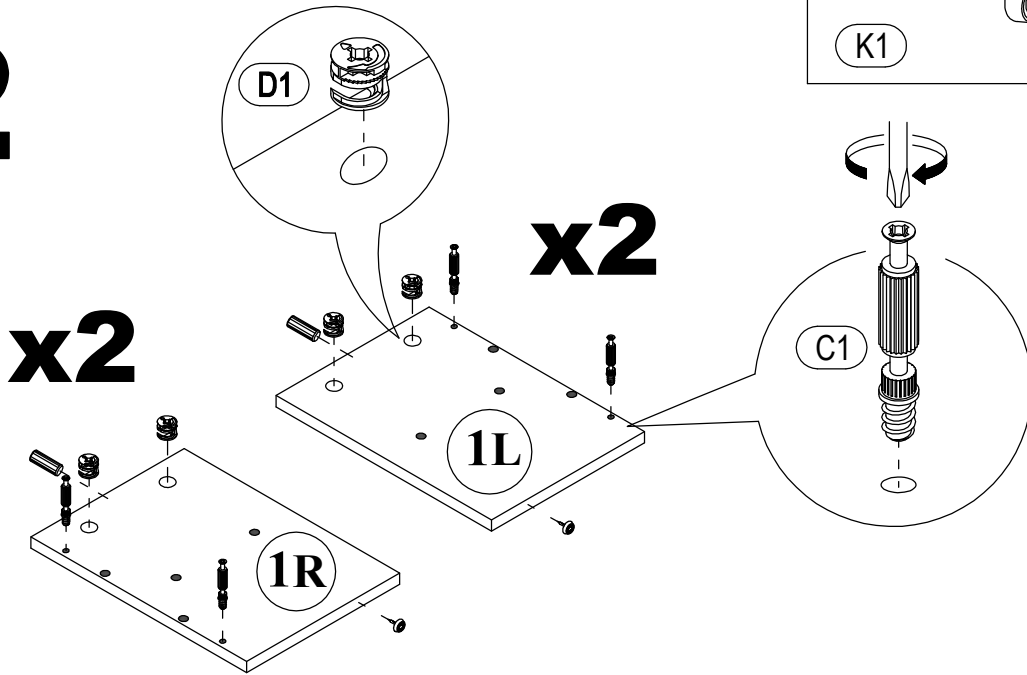
x2



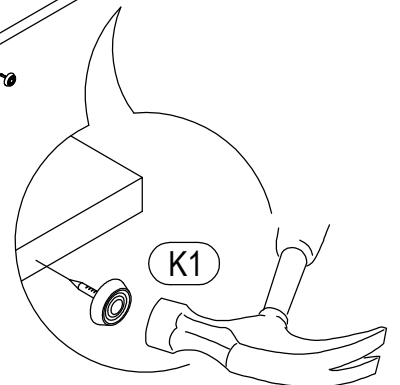
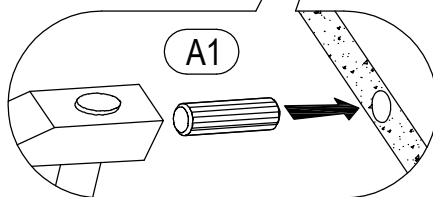
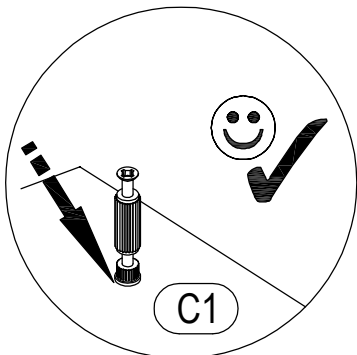
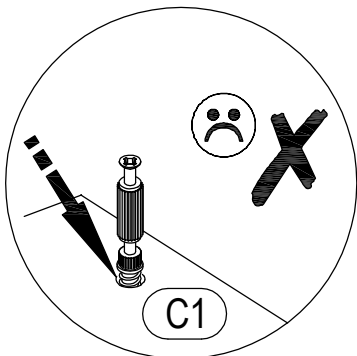
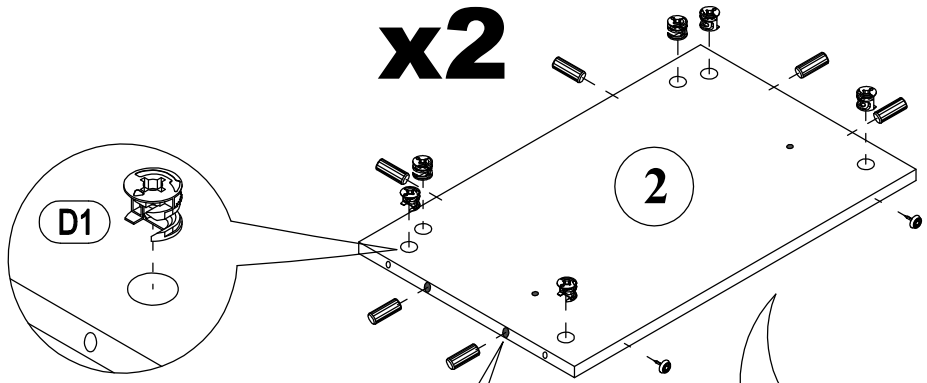
 A1 8*30mm x16	 C1 6*43mm x8	 D1 15/16 x20
---	--	--

 K1 x8

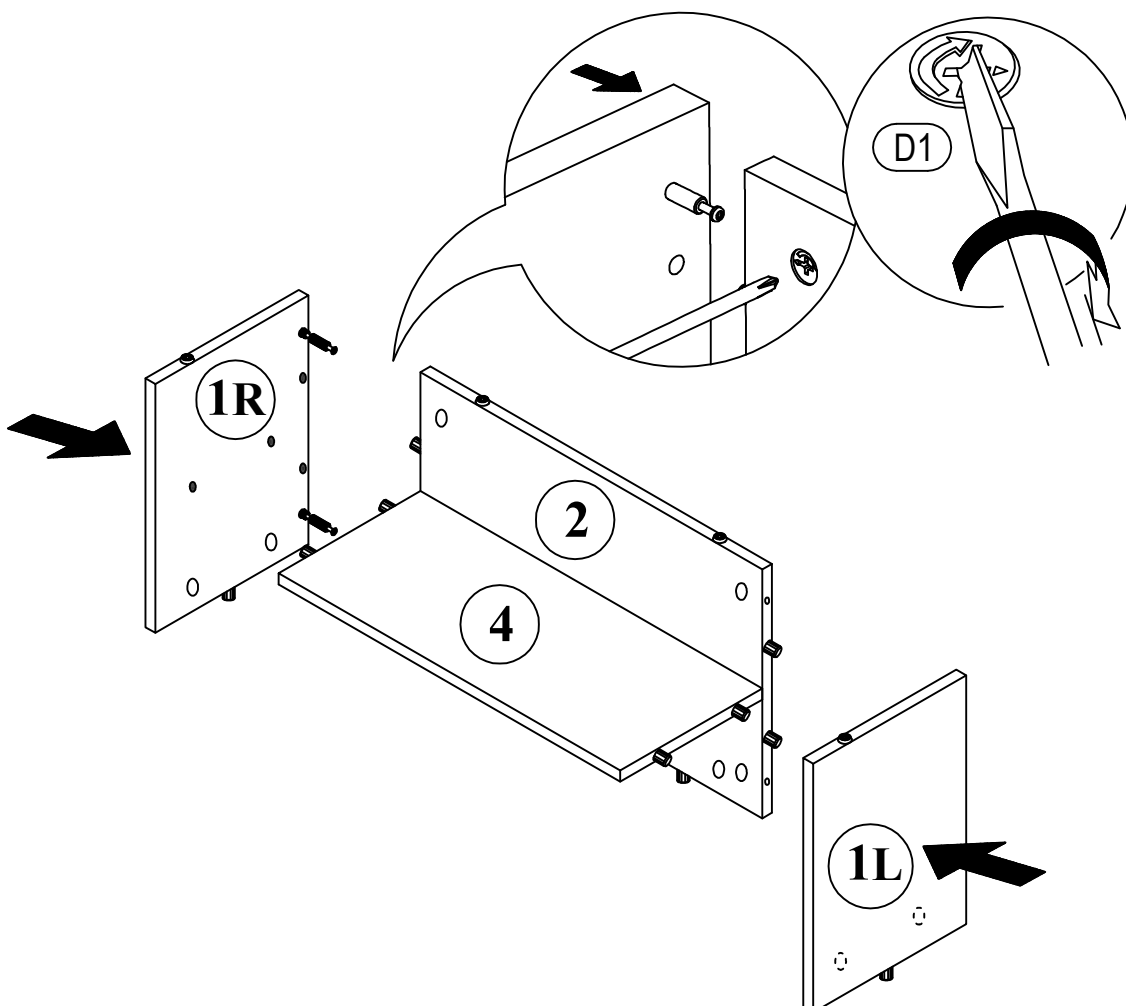
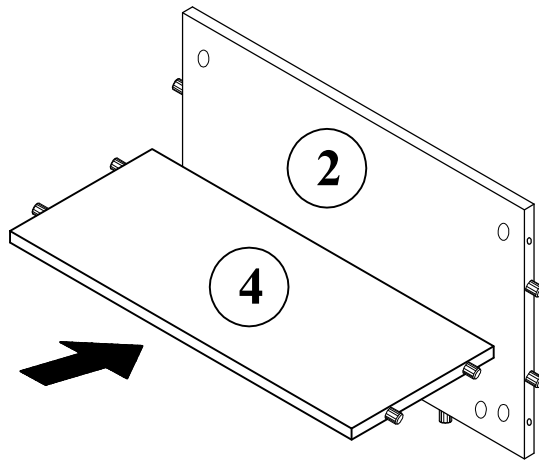
2



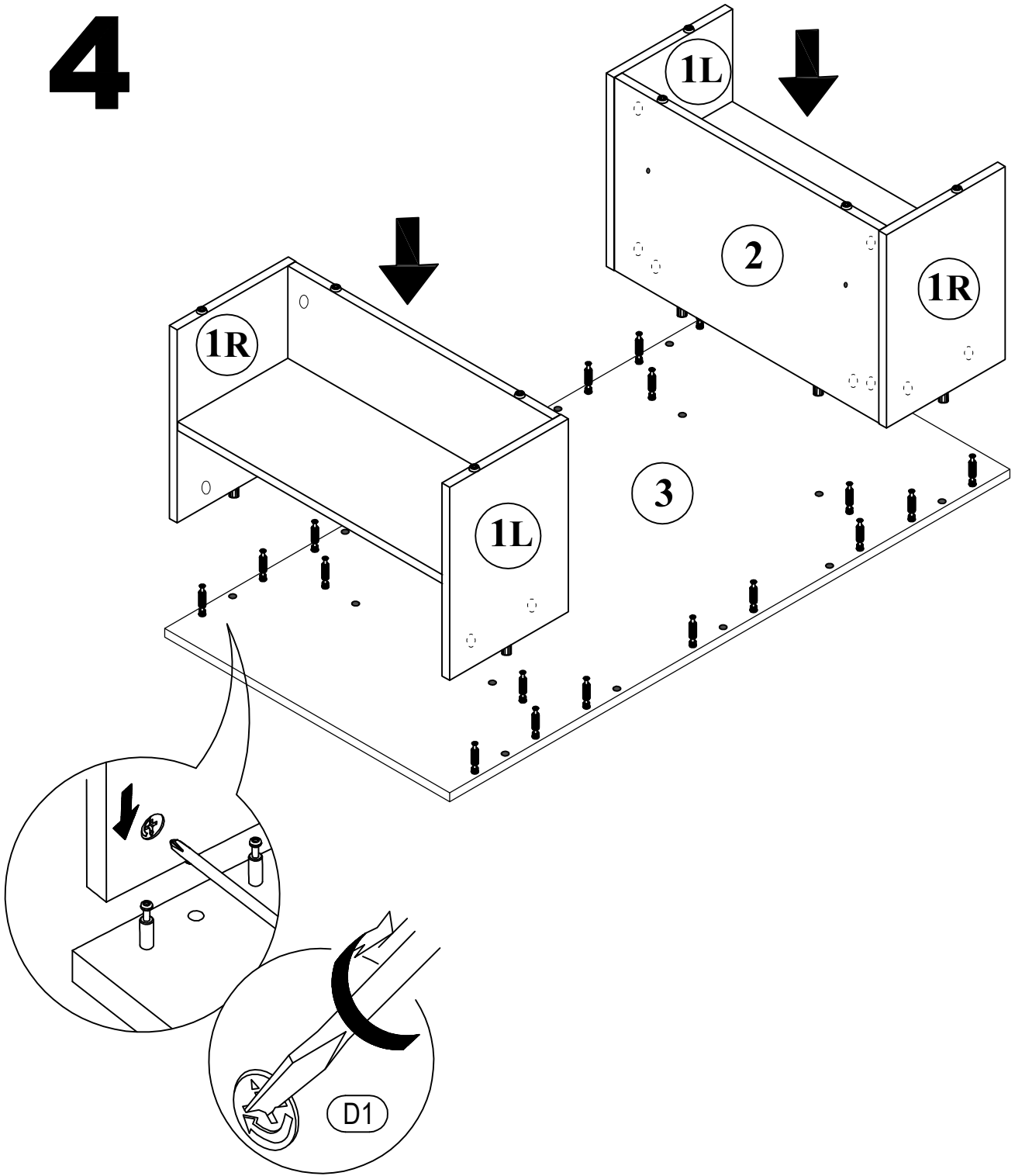
x2



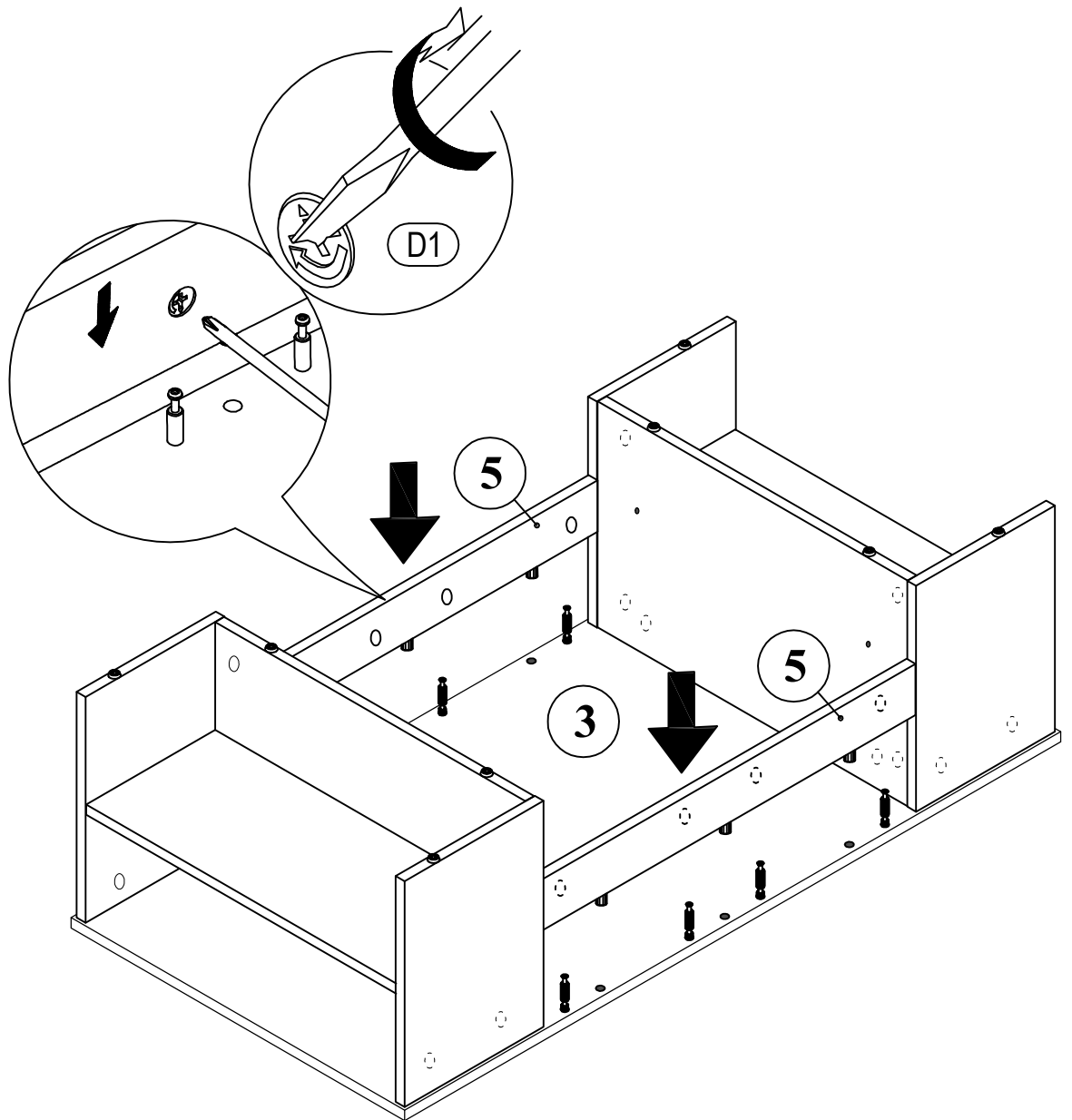
3




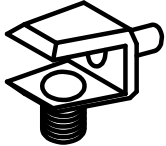
4



5



6

	
(D) $\phi 20\text{mm}$ x28	(J3) x4

