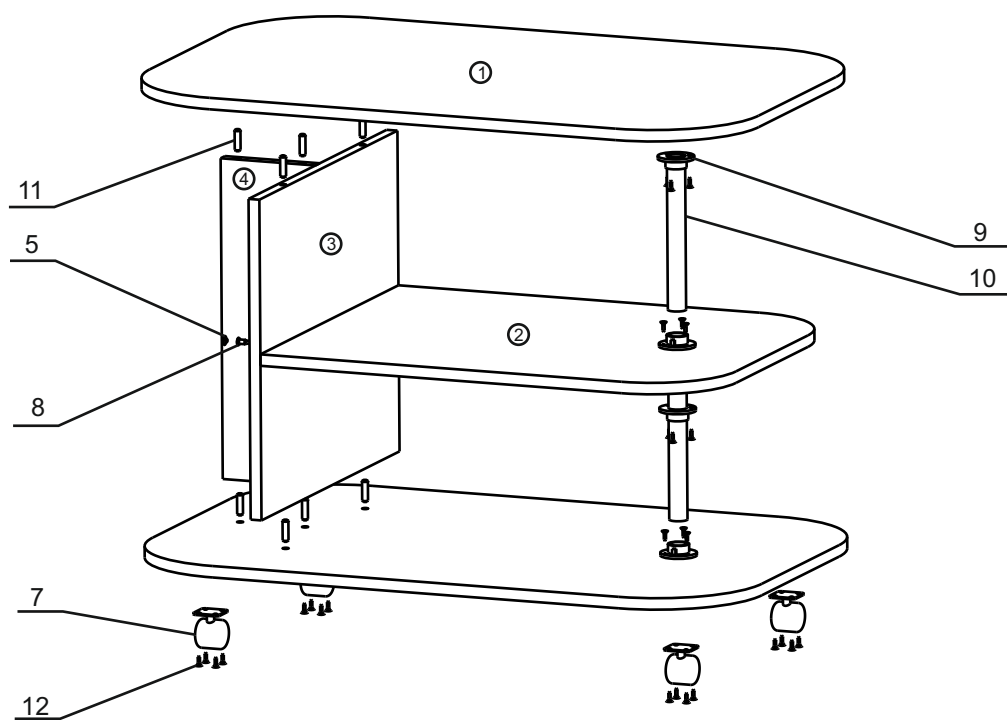


Coffee table "PAMPA"

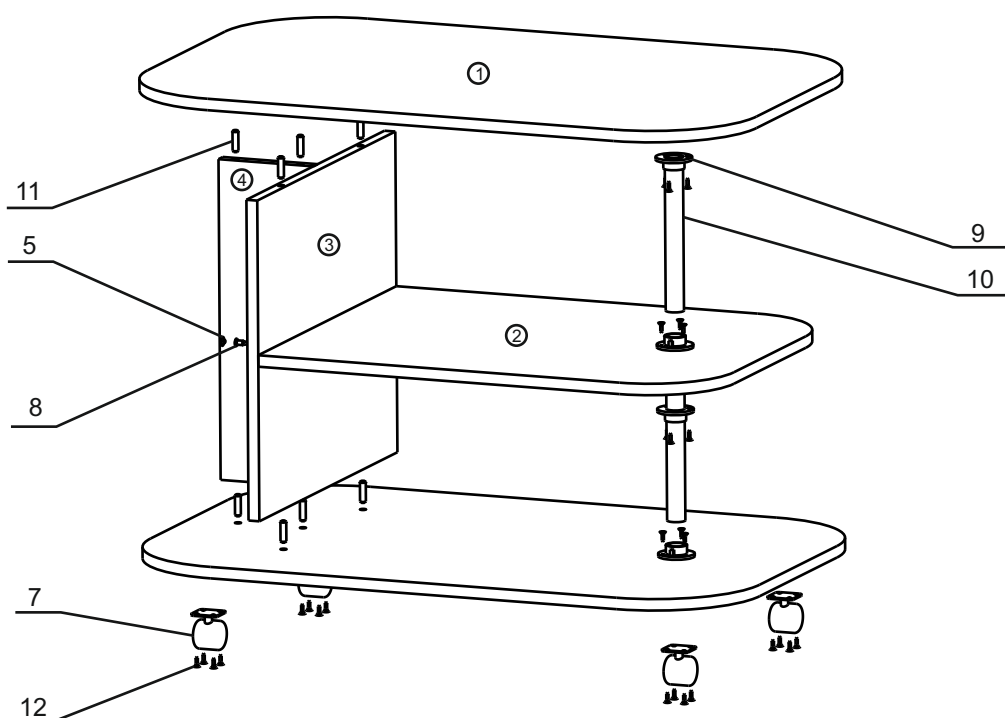


Details

1. Cover - 900x580mm - 2 pcs.
2. Shelf - 654x500mm - 1 pcs.
3. Stand - 500x448mm - 1 pcs.
4. Stand - 448x140mm - 1 pcs.

Fittings:

5. Blanket for Confirmate - 2 pcs.
6. The key for Confirmate - 1 pcs.
7. Roller D40mm - 4 pcs.
8. Confirmate 6,3x50 - 2 pcs.
9. Pipe fasteners - 4 pcs.
10. The pipe d25mm (215 mm) - 2 pcs.
11. The dowel 8x30 - 8 pcs.
12. Screw 3,5x16 - 28 pcs.
13. Hexagon key d3 - 1 pcs.



Details

1. Cover - 900x580mm - 2 pcs.
2. Shelf - 654x500mm - 1 pcs.
3. Stand - 500x448mm - 1 pcs.
4. Stand - 448x140mm - 1 pcs.

Fittings:

5. Blanket for Confirmate - 2 pcs.
6. The key for Confirmate - 1 pcs.
7. Roller D40mm - 4 pcs.
8. Confirmate 6,3x50 - 2 pcs.
9. Pipe fasteners - 4 pcs.
10. The pipe d25mm (215 mm) - 2 pcs.
11. The dowel 8x30 - 8 pcs.
12. Screw 3,5x16 - 28 pcs.
13. Hexagon key d3 - 1 pcs.