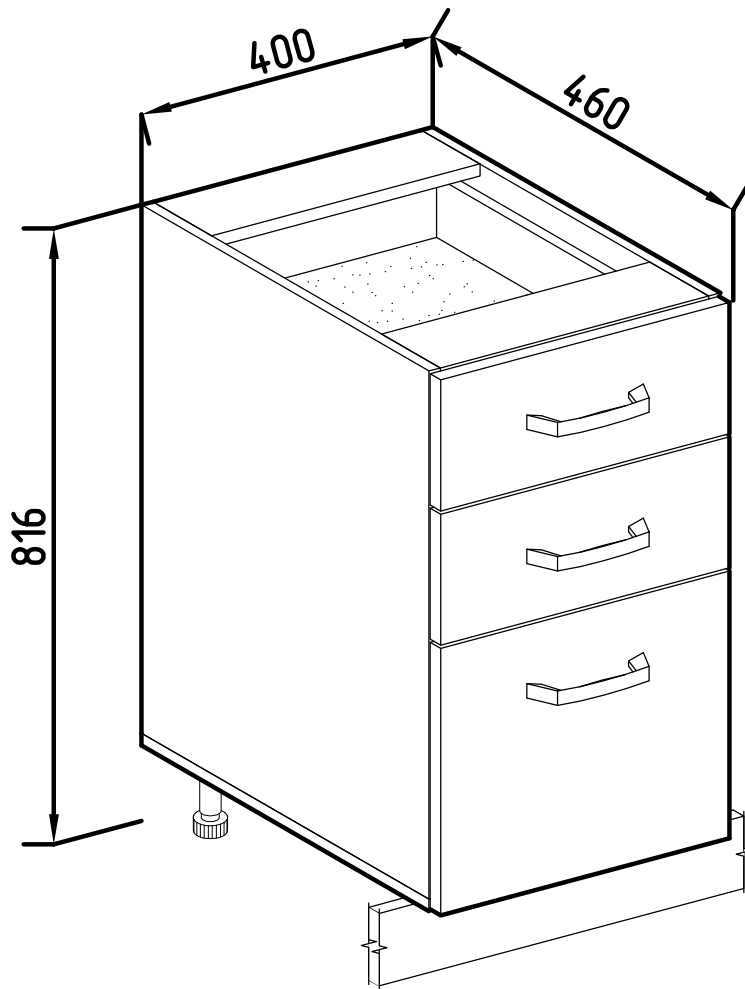
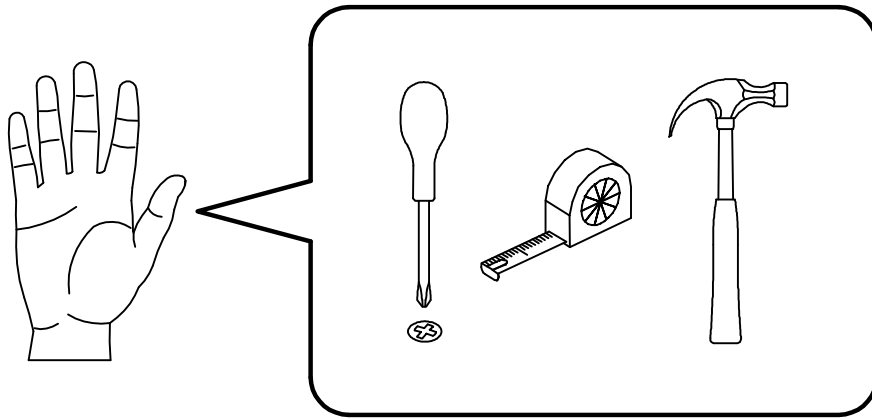







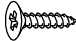


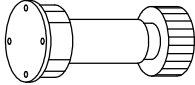
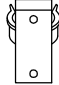


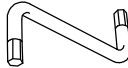



LOGY

D 40

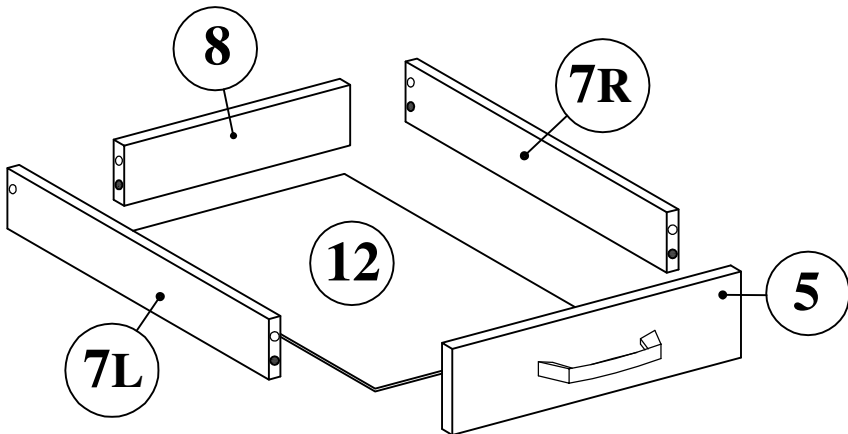
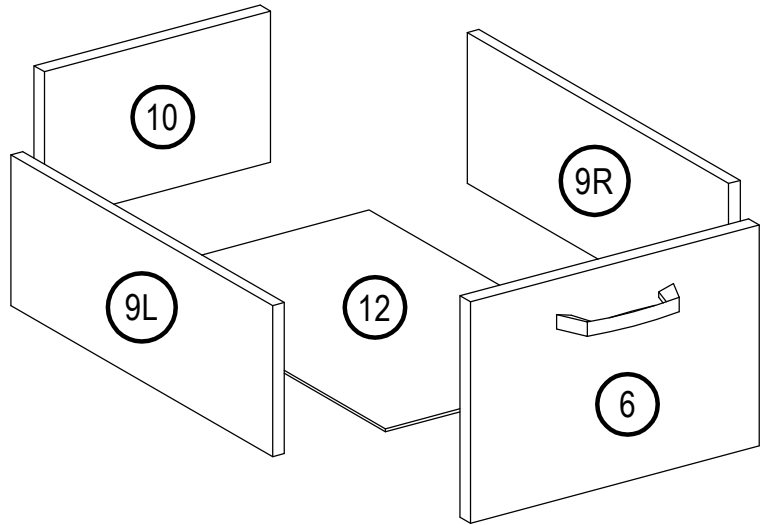


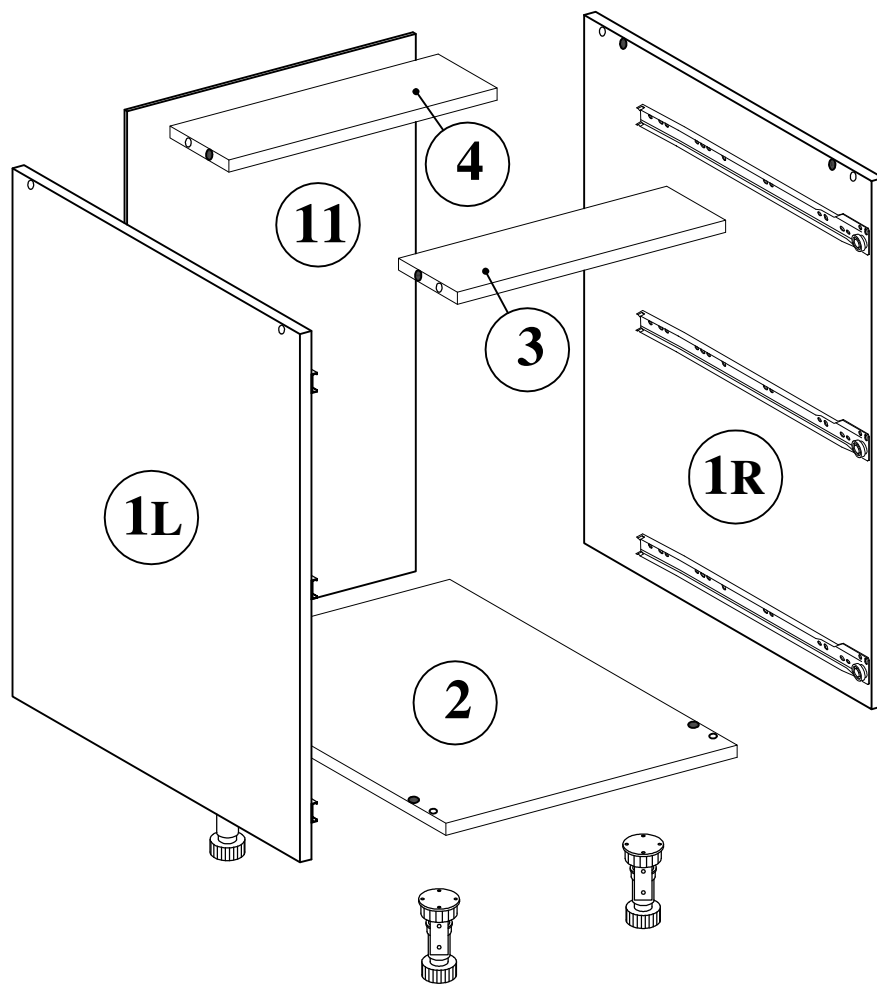


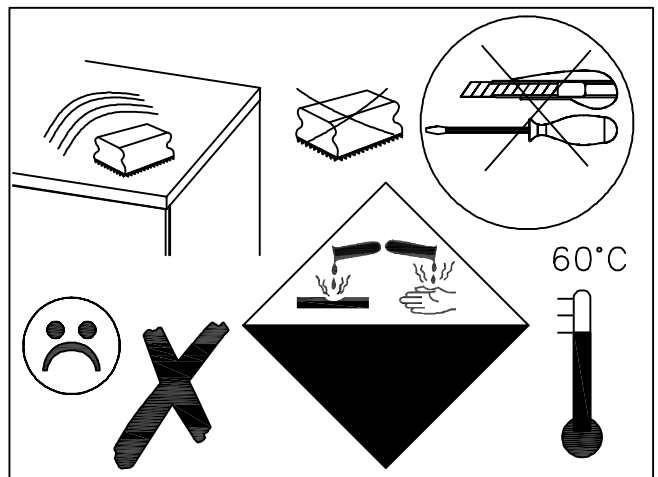
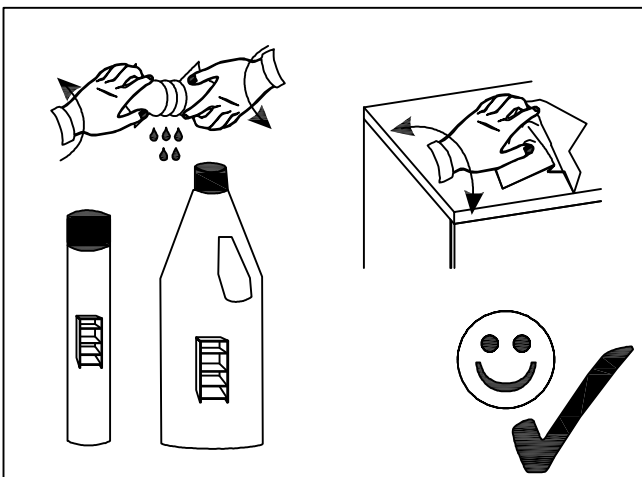
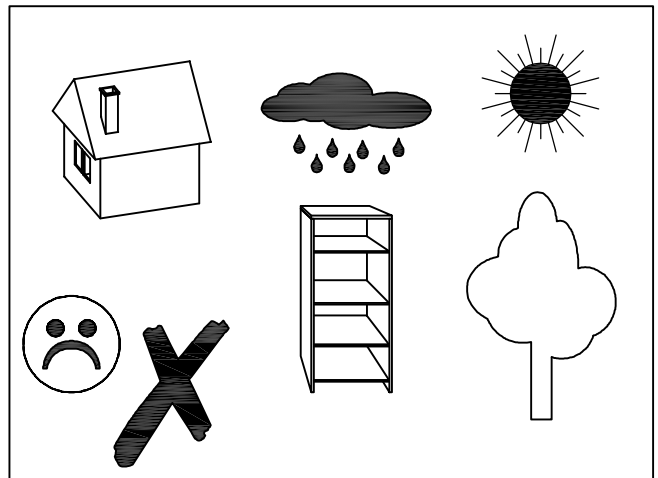
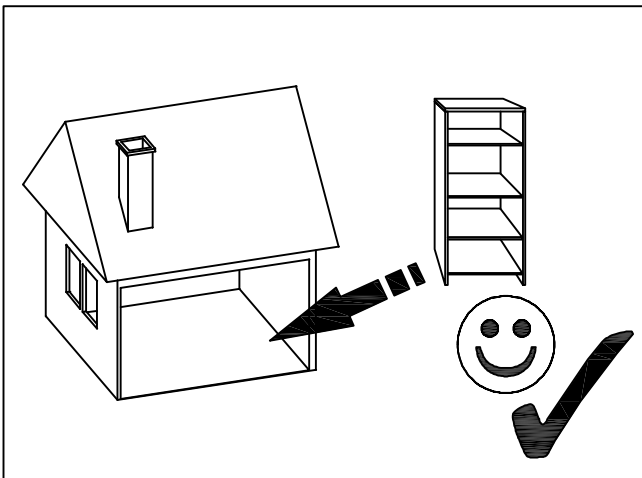
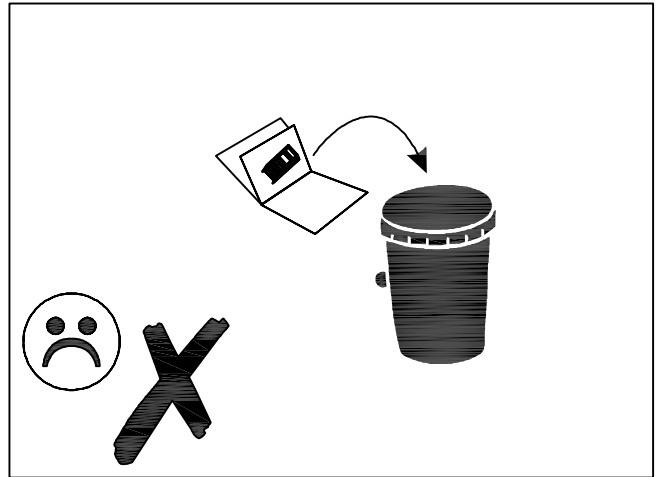
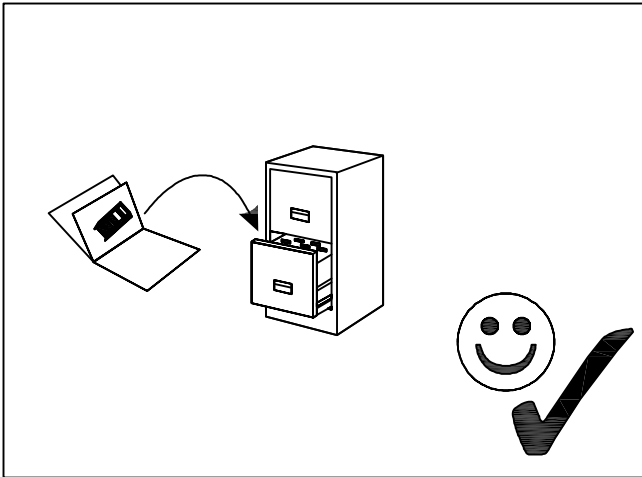
 A1 8*30mm x24	 B ϕ 12mm x14	 B1 6,3*50mm x14
 C1 5*30mm x6	 D x6	 D1 16mm x6
 E1 3,5*16mm x24	 E8 4*16mm x20	 E10 4*30mm x14
 I8 x3	 K2 x4	 K3 x2
 M1 L- 400 x3	 R3 1.4 * 25MM 40g	 R4 x1
 U3 x6		

No	a*b	x	No	a*b	x
1R	700x440	1	7R	400x100	2
1L	700x440	1	7L	400x100	2
2	400x440	1	8	309x100	2
3	367x90	1	9R	400x200	1
4	367x90	1	9L	400x200	1
5	396x174	2	10	309x200	1
6	396x354	1	11	713x396	1
			12	404x340	3

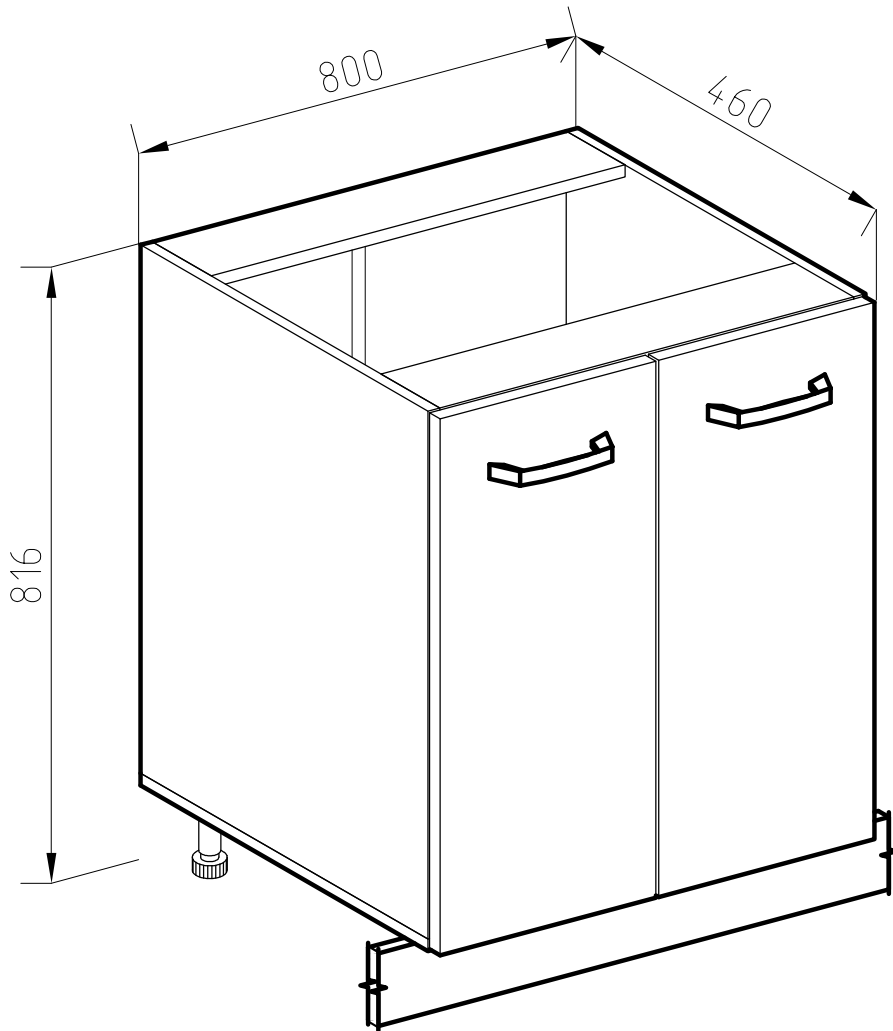
x2

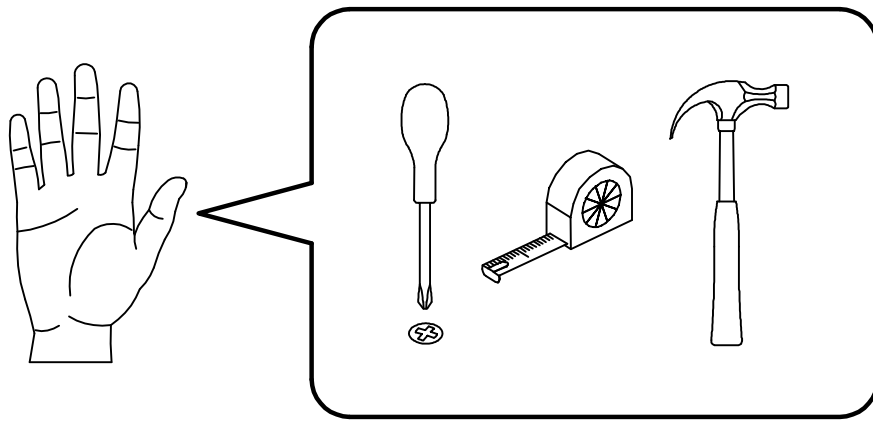











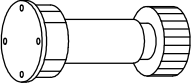
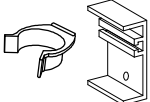


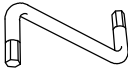





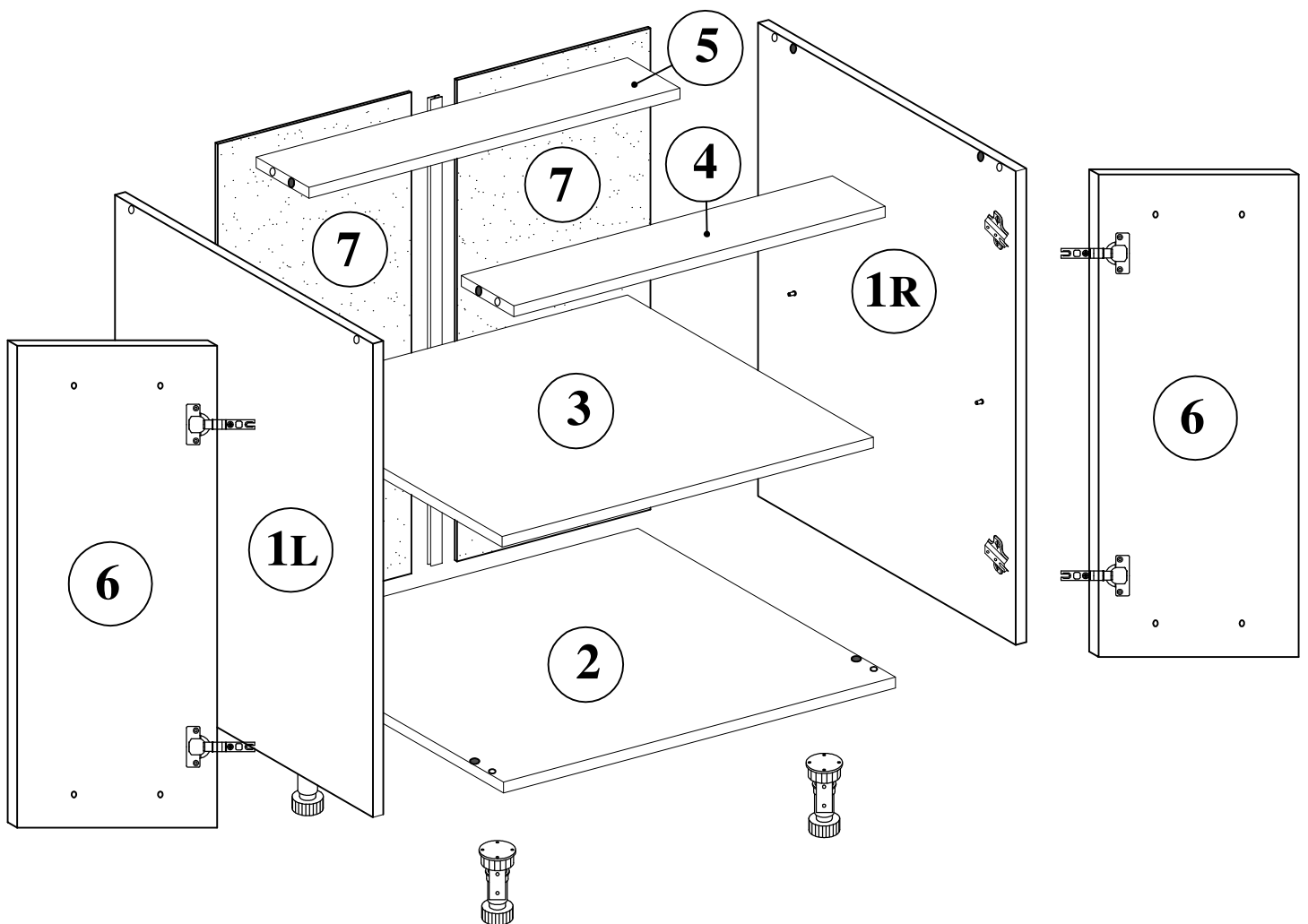
D 80

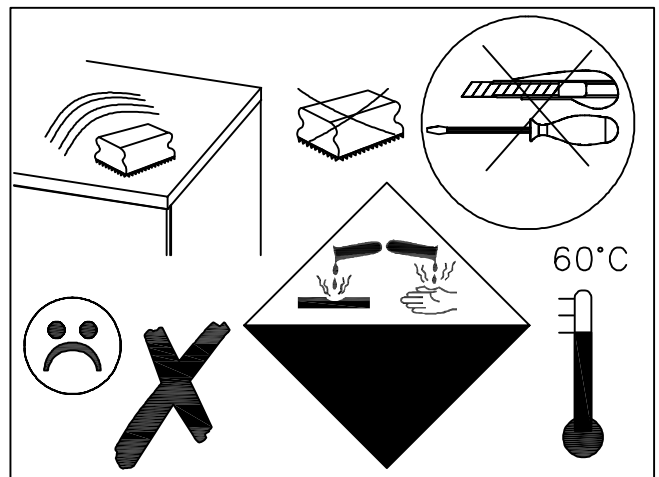
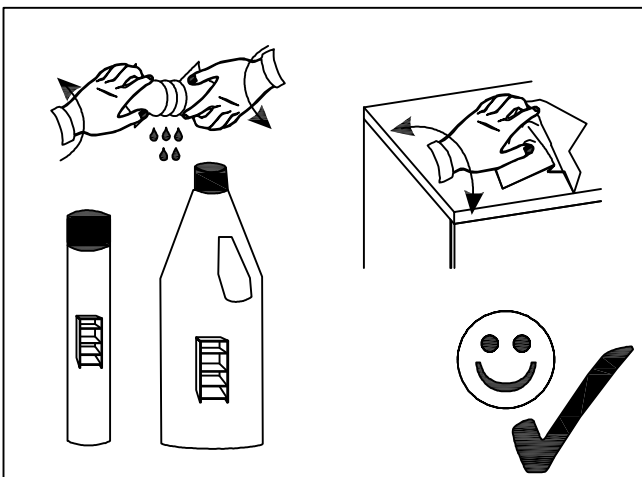
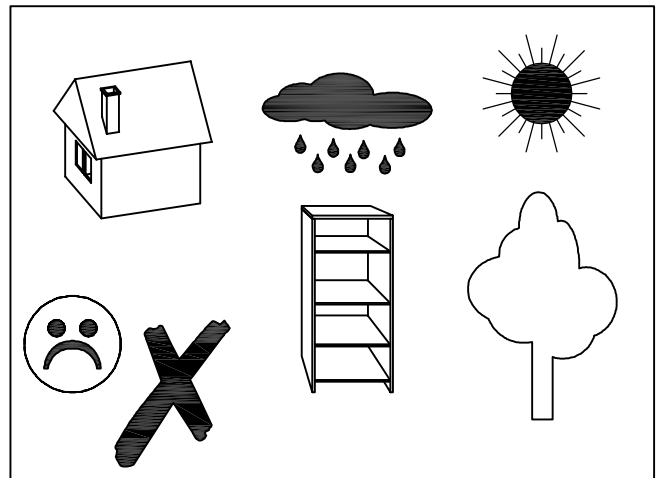
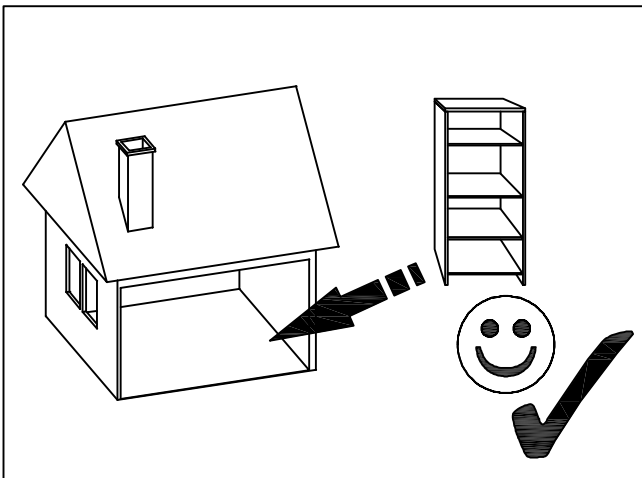
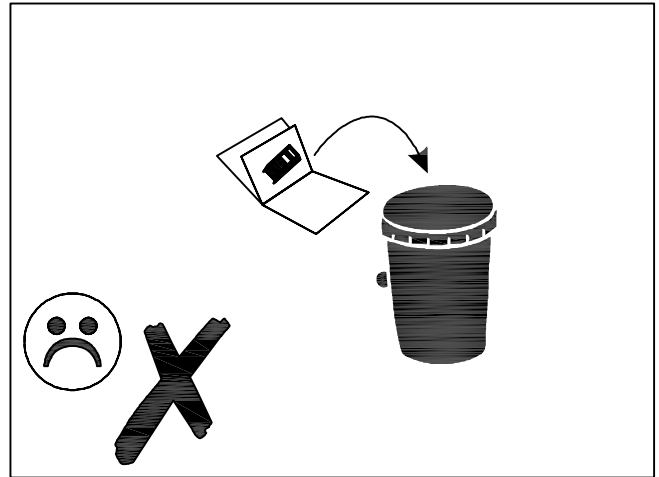
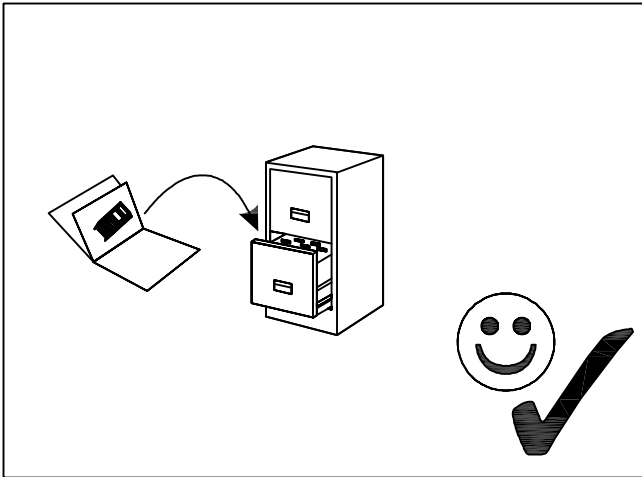
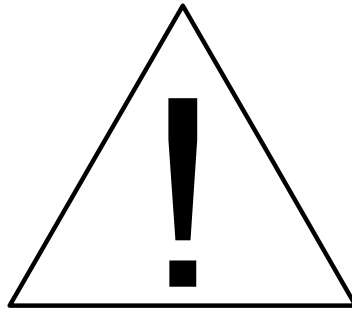




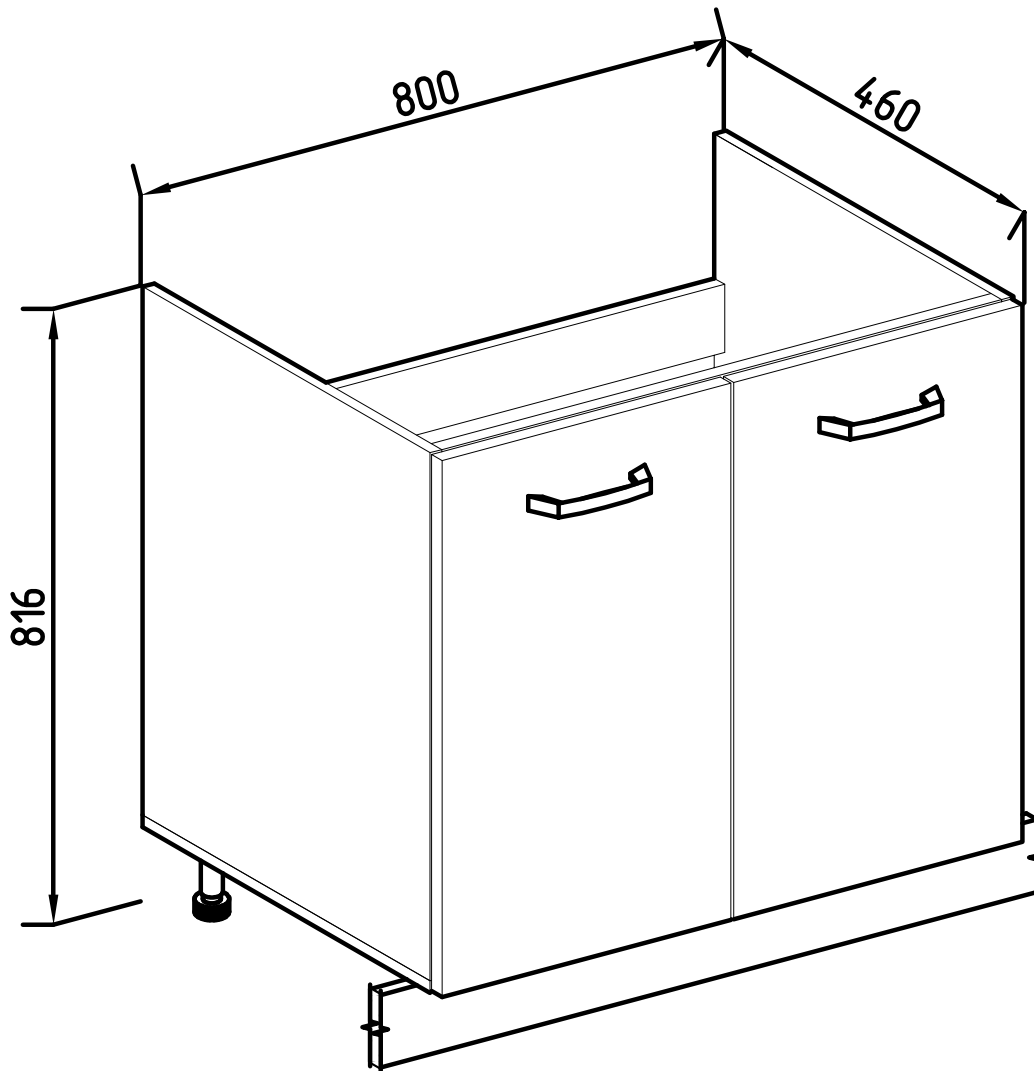
 A1 8*30mm x8	 B ϕ 12mm x8	 B1 6,3*50mm x8
 E8 4*16mm x28	 E10 4*30mm x12	 F1 6,3*13mm x8
 I8 x2	 L1 x4	 J1 x4
 K2 x4	 K3 x2	 P4 L-680 x1
 R3 1.4*25MM 10g	 R4 x1	 U3 x4

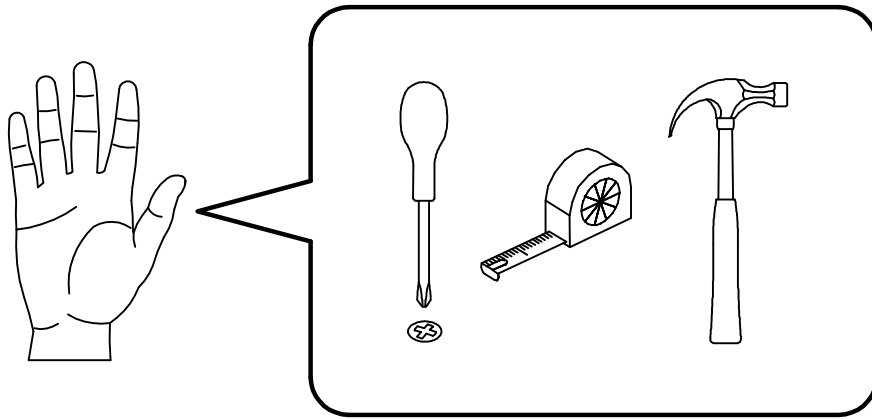
No	a*b	x	No	a*b	x
1R	700x440	1	4	767x90	1
1L	700x440	1	5	767x90	1
2	800x440	1	6	396x713	2
3	767x420	1	7	713x396	2




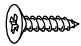



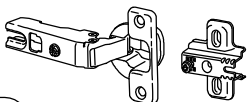
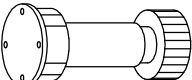
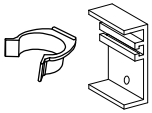


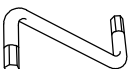





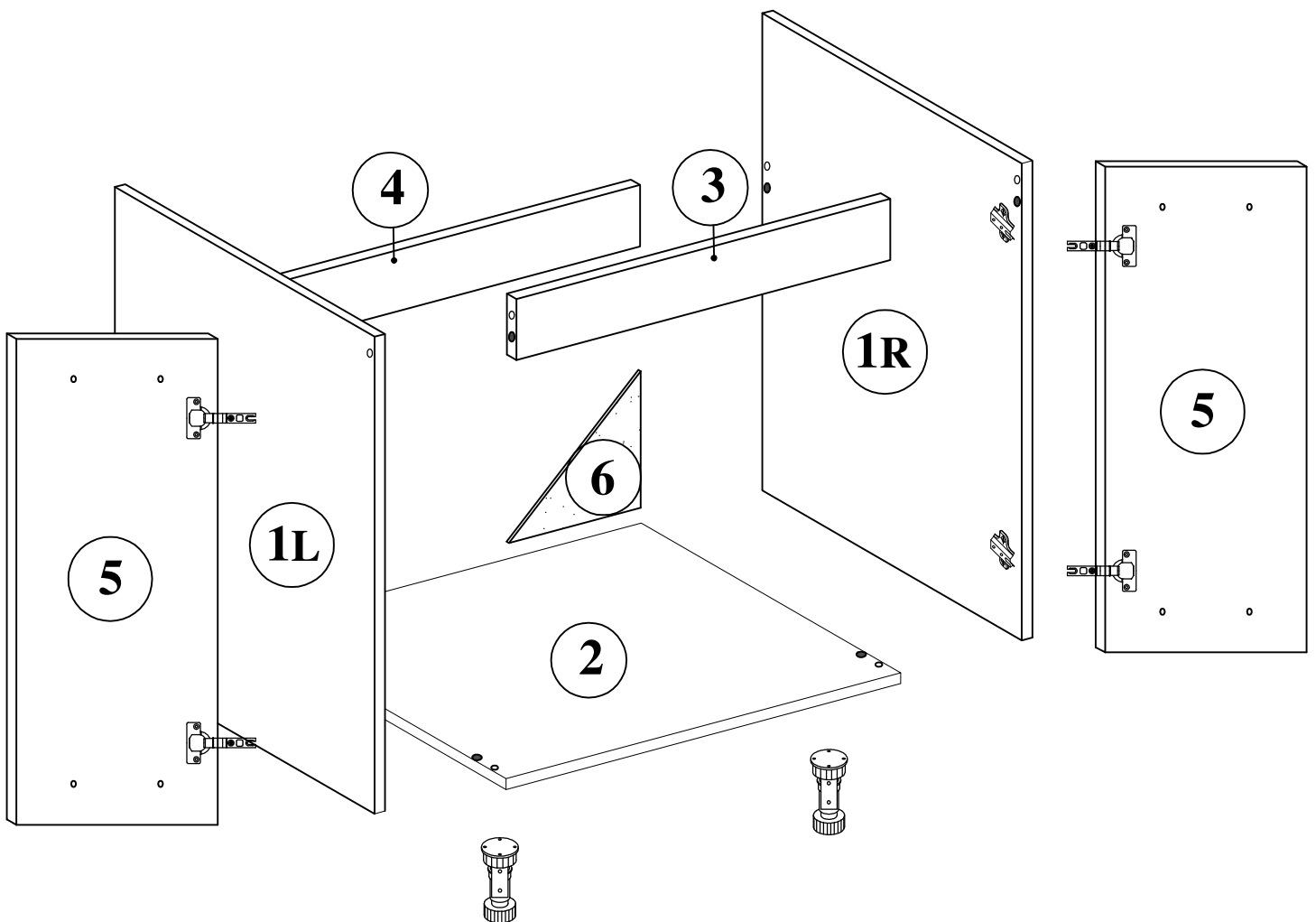
D 40 W

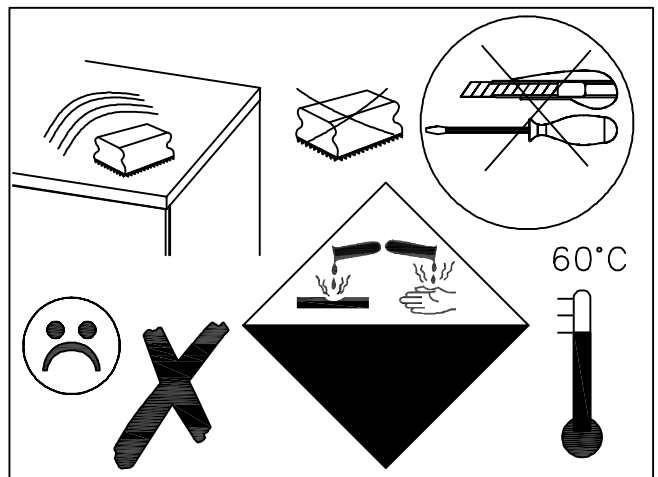
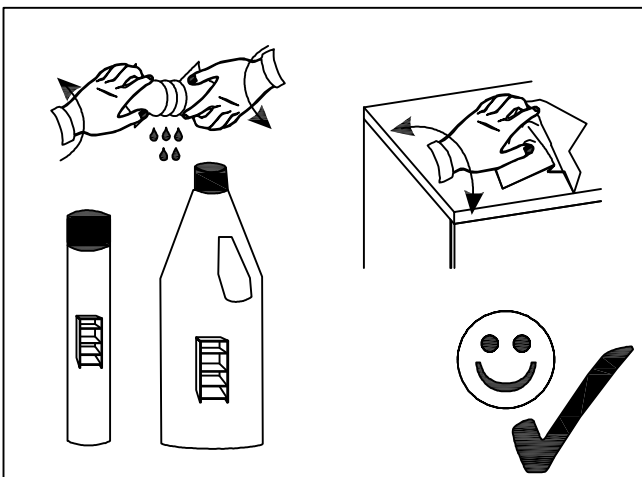
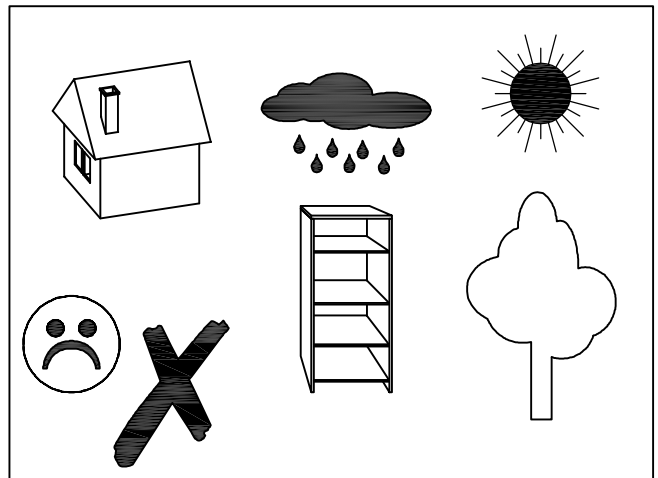
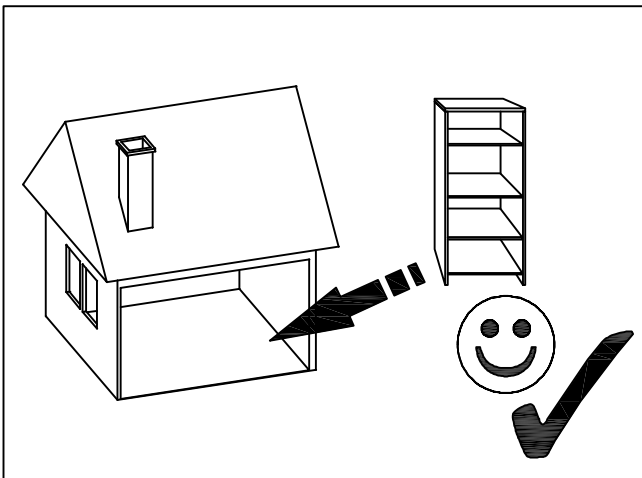
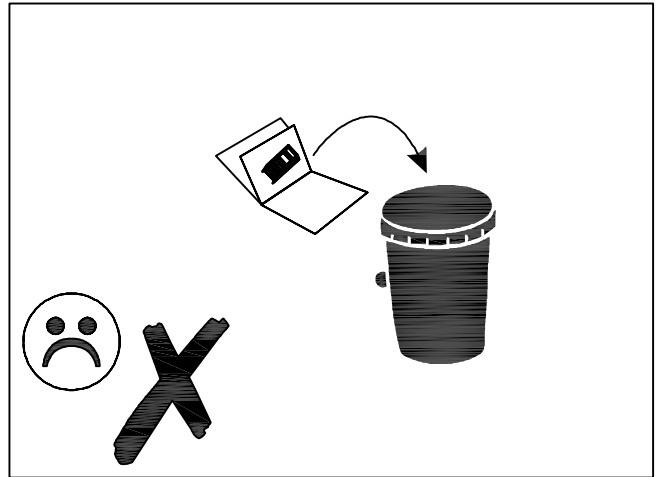
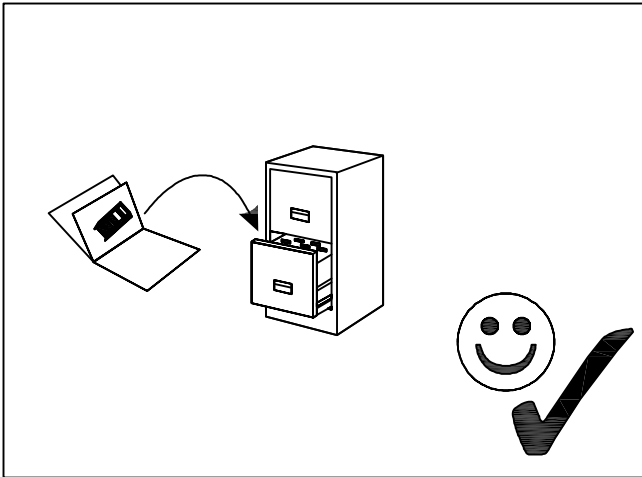




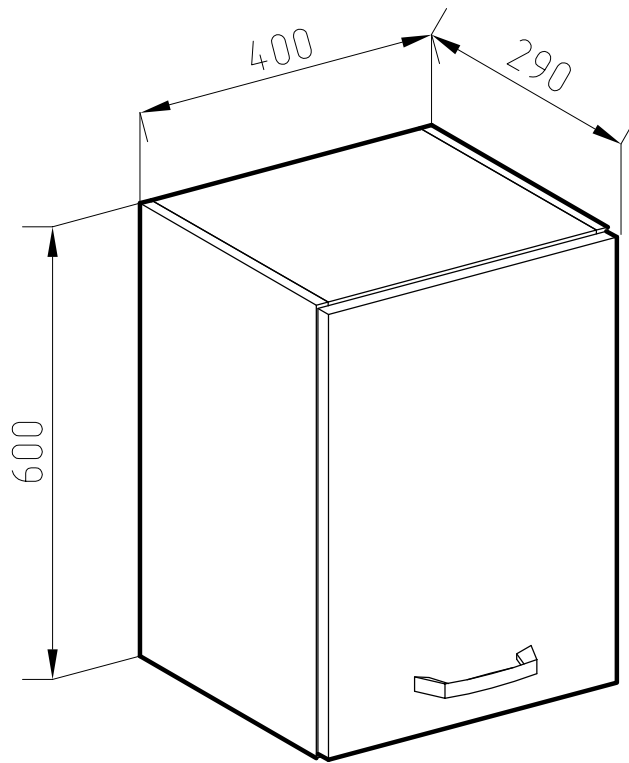
 A1 8*30mm x8	 B ϕ 12mm x8	 B1 6,3*50mm x8
 E8 4*16mm x28	 E10 4*30mm x12	 F1 6,3*13mm x8
 I8 x2	 L1 x4	 K2 x4
 K3 x2	 P4 L-680 x1	 R3 1.4*25MM 10g
 R4 x1	 U3 x4	

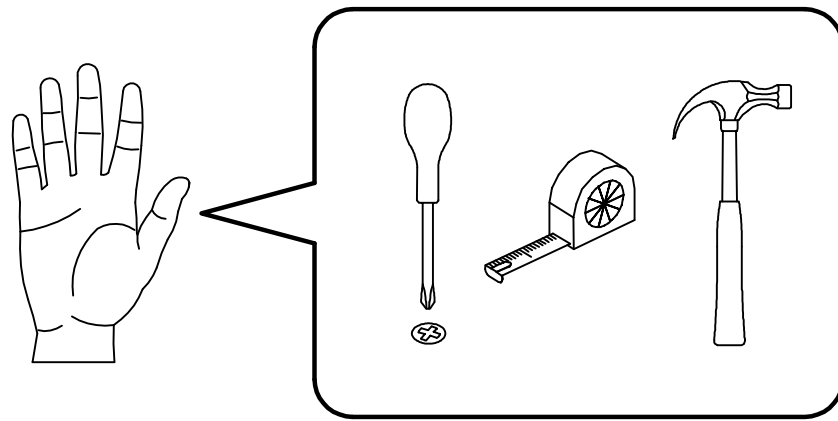
No	a*b	x
1R	700x440	1
1L	700x440	1
2	800x440	1
3	767x90	1
4	767x90	1
5	396x713	2
6	200x200	2




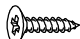
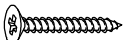



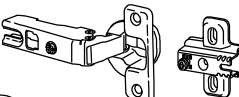
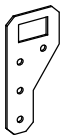

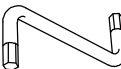





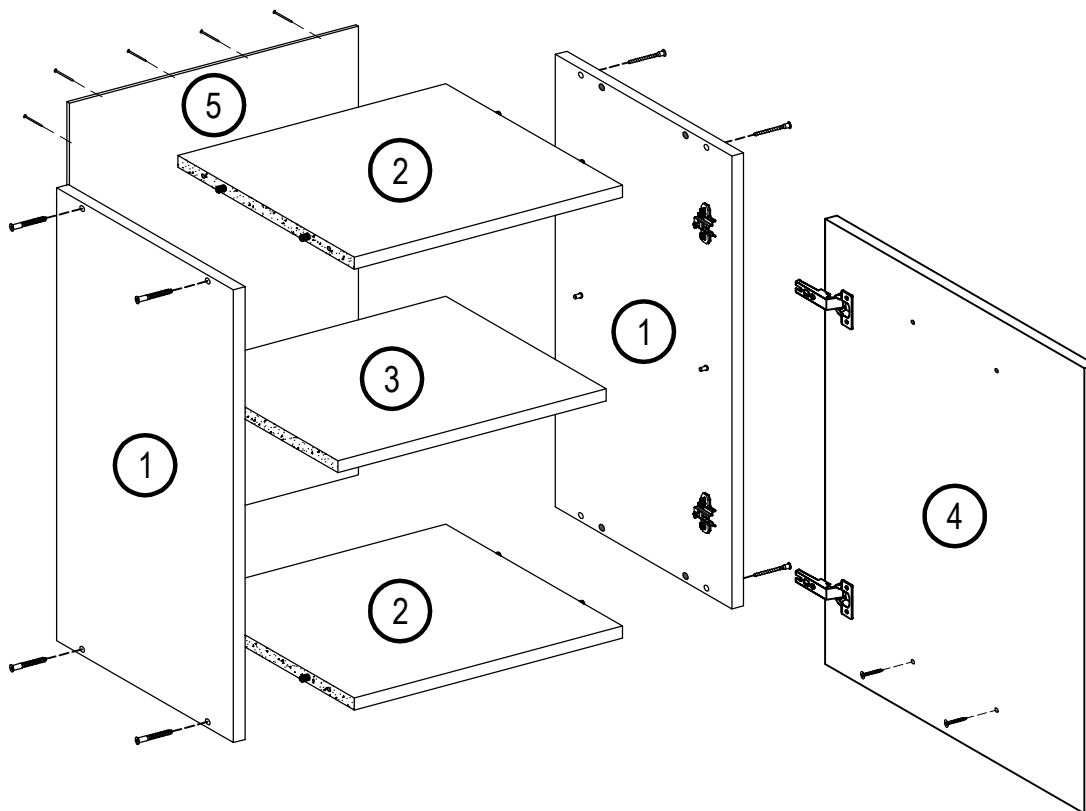
U 40

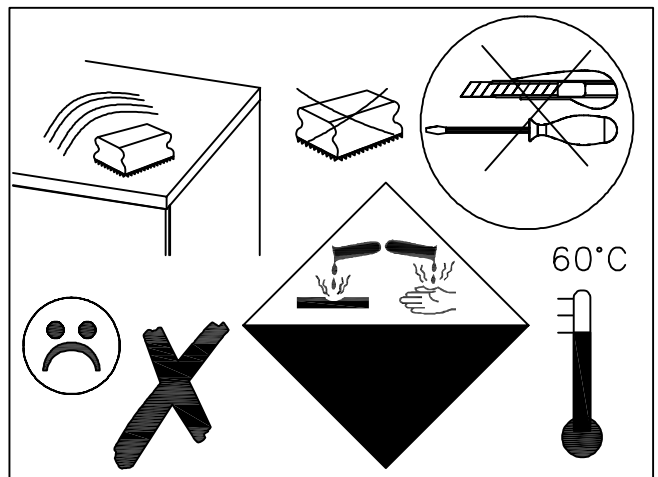
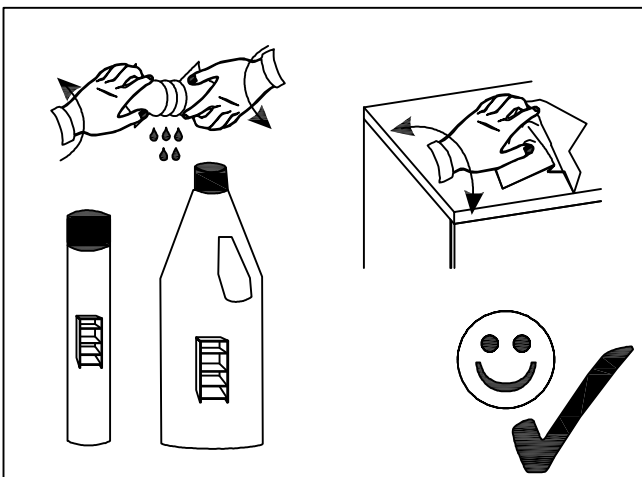
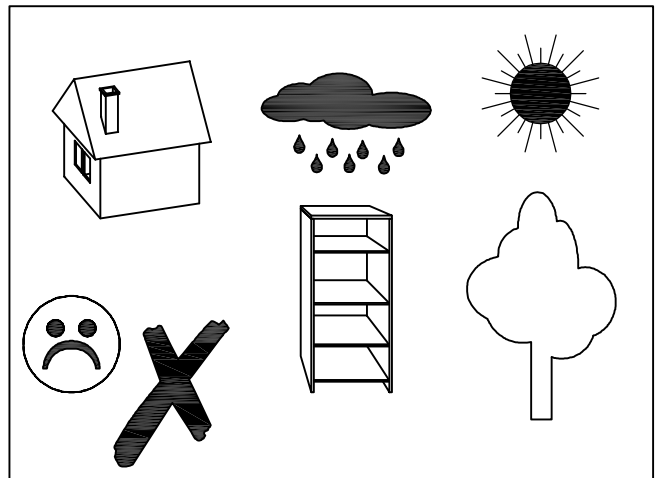
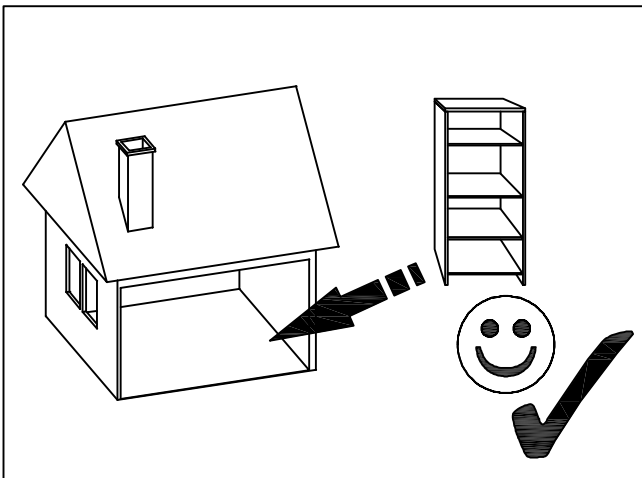
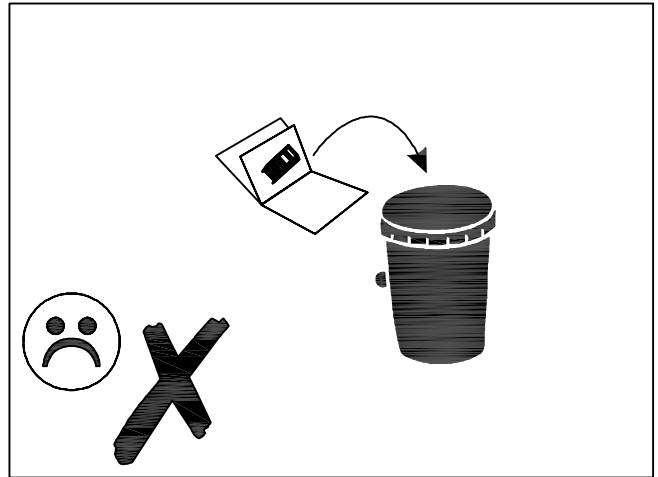
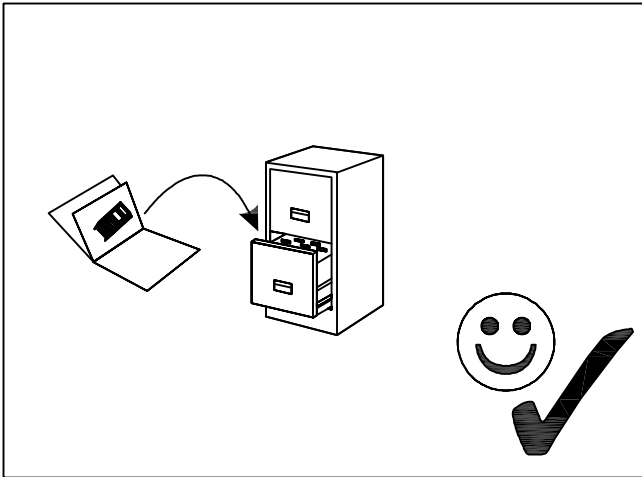
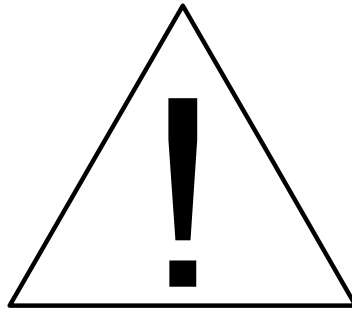




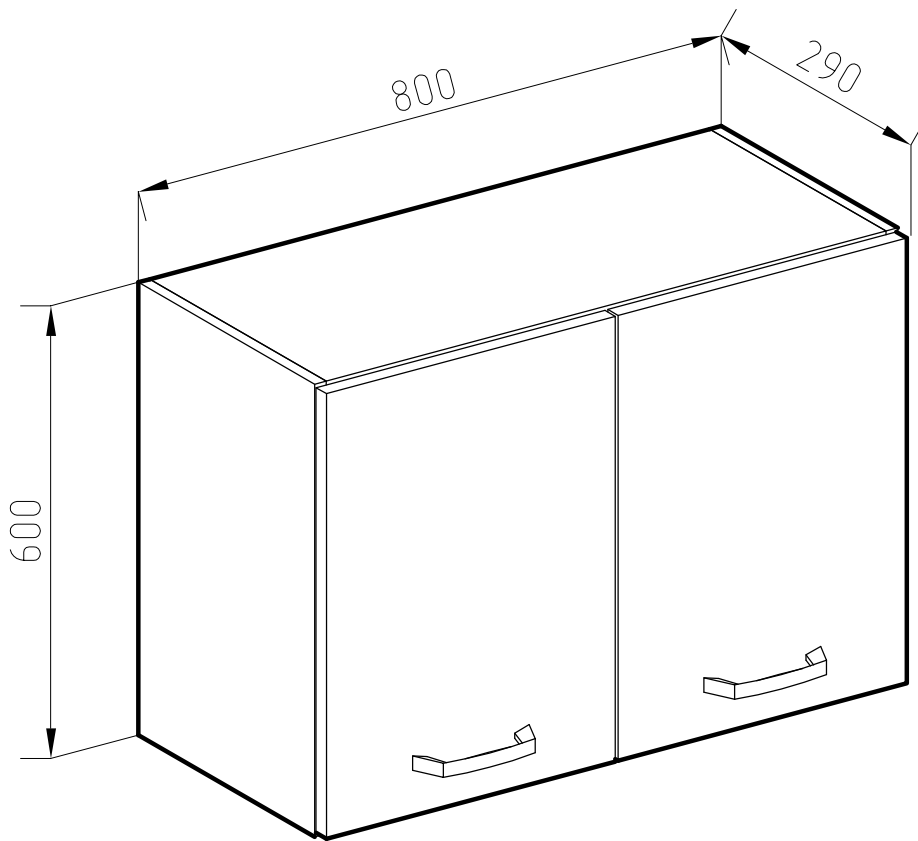
 A1 8*30mm x8	 B x8
 B1 6,3*50mm x8	 E9 4*16mm x4
 E10 4*30mm x12	 F5 6,3*13mm x4
 I16 x1	 J1 5*16mm x4
 L1 x2	 O5 x2
 R3 1.4*25mm 10g	 R4 x1
 U3 x2	

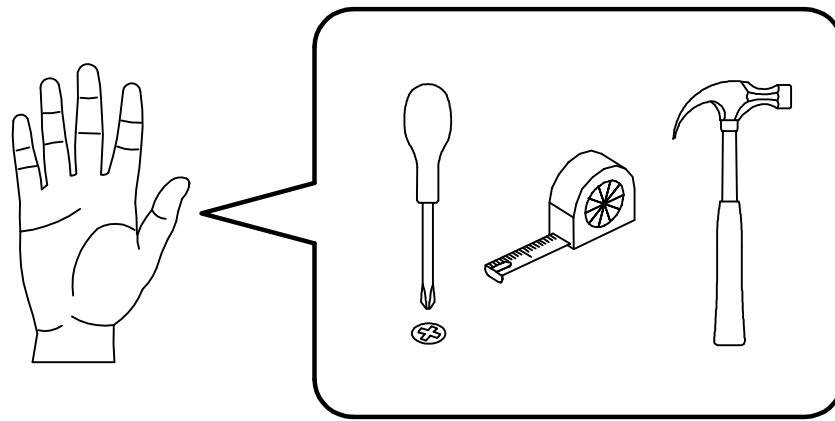
No	a*b	x
1	600x270	2
2	367x270	2
3	367x250	1
4	590x396	1
5	595x396	1




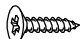
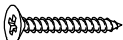



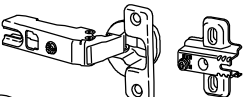
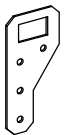


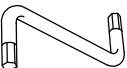





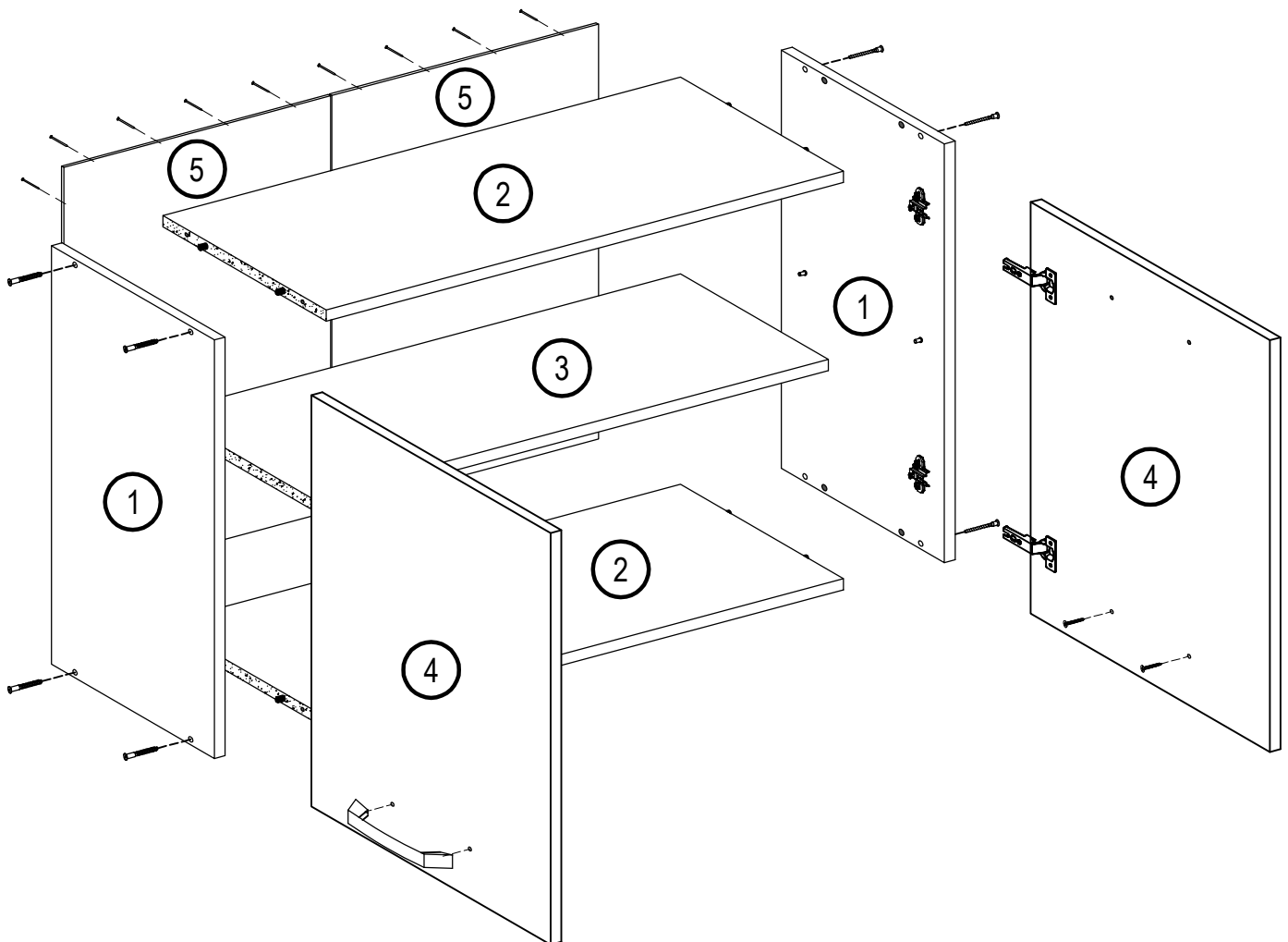
U 80

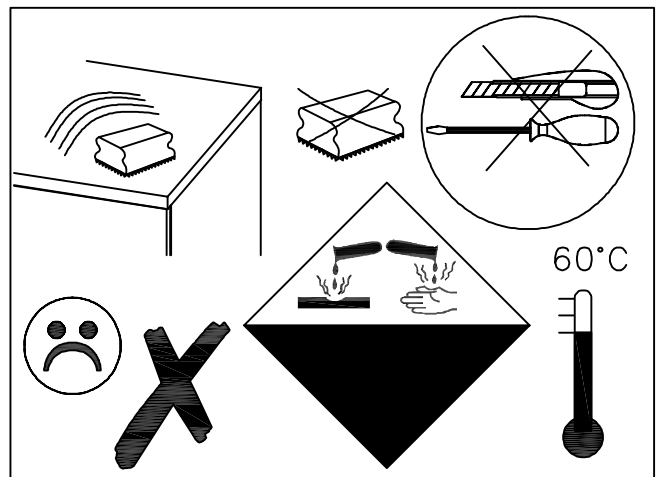
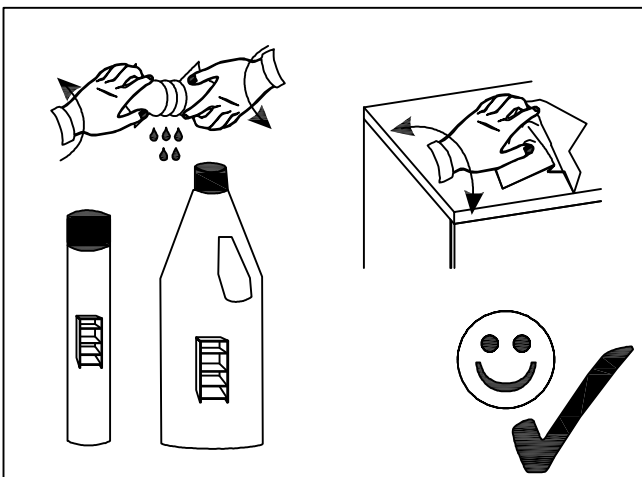
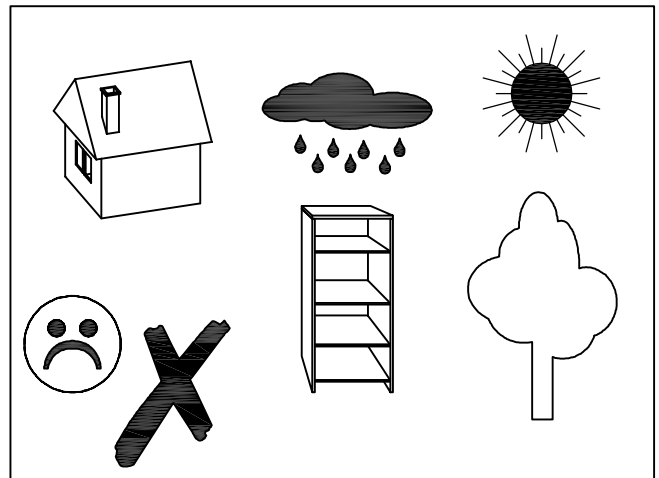
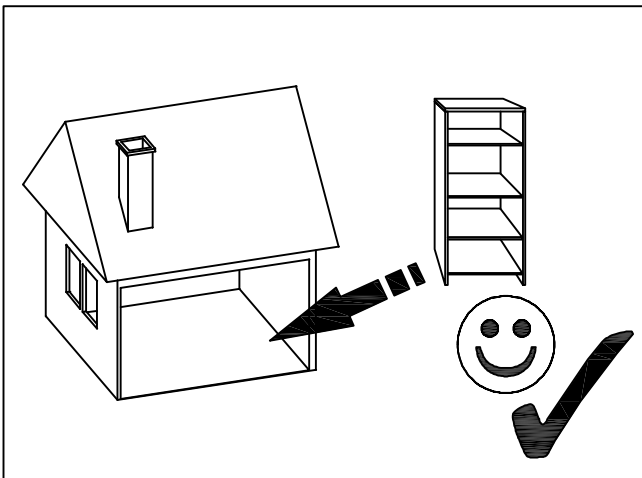
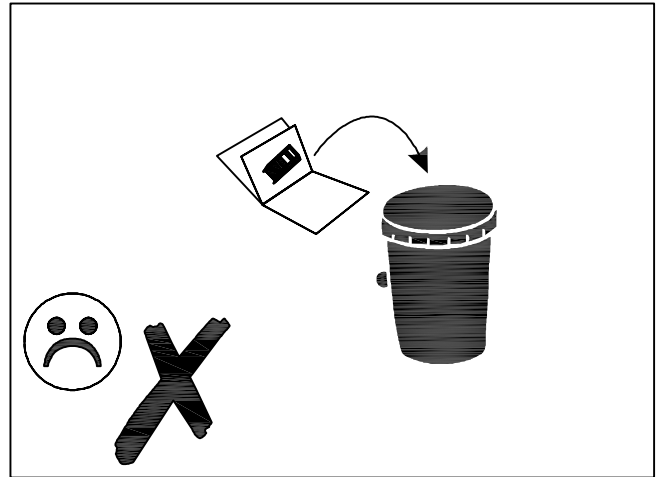
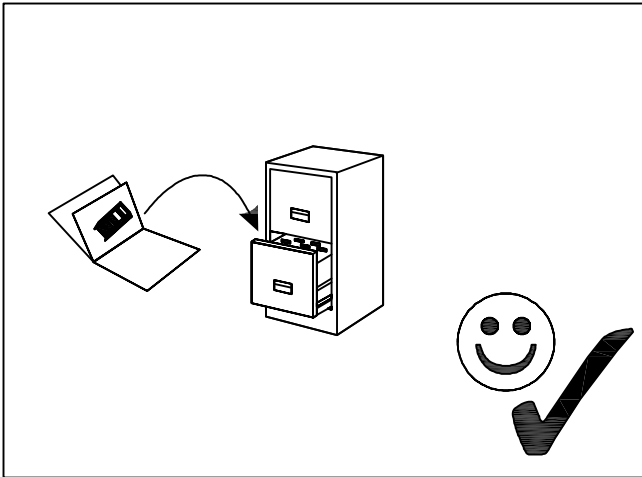




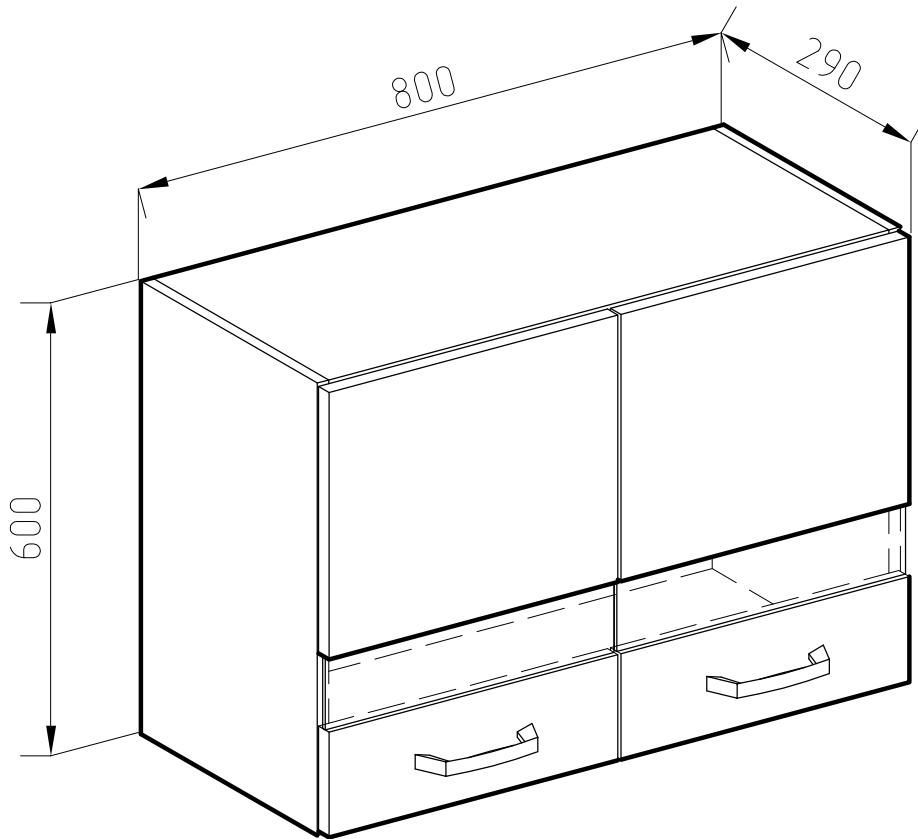
 (A1) 8*30mm x8	 (B) x8
 (B1) 6,3*50mm x8	 (E9) 4*16mm x8
 (E10) 4*30mm x14	 (F5) 6,3*13mm x8
 (I16) x2	 (J1) 5*16mm x4
 (L1) x4	 (O5) x2
 (P4) L-564 x1	 (R3) 1.4*25mm 10g
 (R4) x1	 (U3) x4

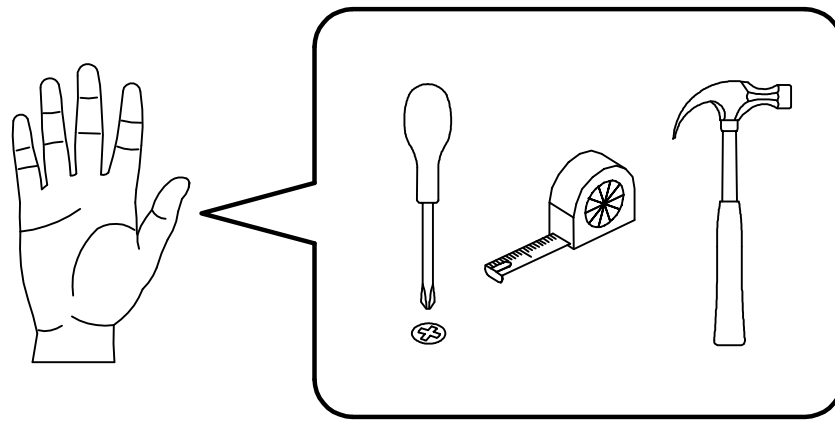
No	a*b	x
1	600x270	2
2	767x270	2
3	767x250	1
4	590x396	2
5	595x396	2




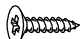
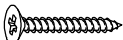



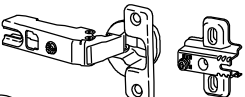
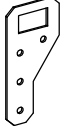


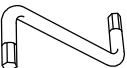





U 80 GL





 A1 8*30mm x8	 B x8
 B1 6,3*50mm x8	 E9 4*16mm x8
 E10 4*30mm x14	 F5 6,3*13mm x8
 I16 x2	 J1 5*16mm x4
 L1 x4	 O5 x2
 P4 L-564 x1	 R3 1.4*25mm 10g
 R4 x1	 U3 x4

No	a*b	x
1	600x270	2
2	767x270	2
3	767x250	1
4R	590x396	1
4L	590x396	1
5	595x396	2

