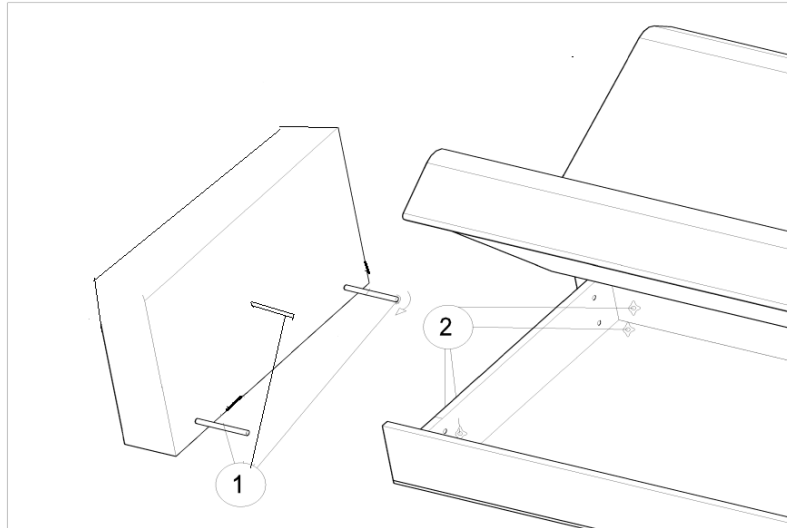


## Assembly Instructions/ Navodila za Montažo/ Montageanleitungen + ASTORIA



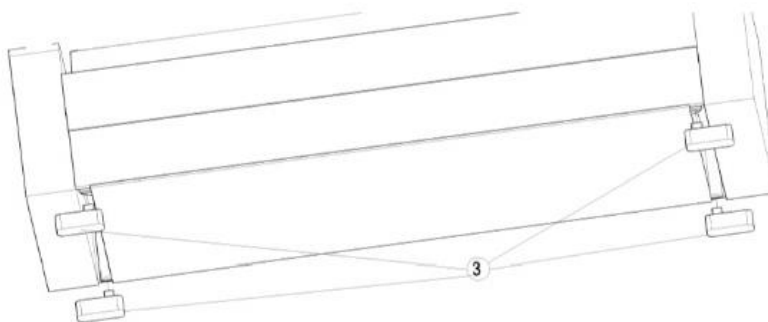
### A) ARM - CASE CONNECTION

1) FITTINGS (1) MOUNT AGAINST ARM HOLES.

2) FIT THE FITTINGS ON THE ARM TO THE CASE BY PASSING THROUGH THE CASE HOLES.

3) NUTS (2) ASSEMBLE THE FASTENERS.

1) BRING THE LEGS (3) TO THE PLACE AND FIX TO THE PLASTIC SLOTS.



### B) LEGS - SOFA CONNECTION

1) LEGS (3) BRING IT TO THE POSITION IN THE PICTURE AND TIGHTEN IT BY PUSH.

