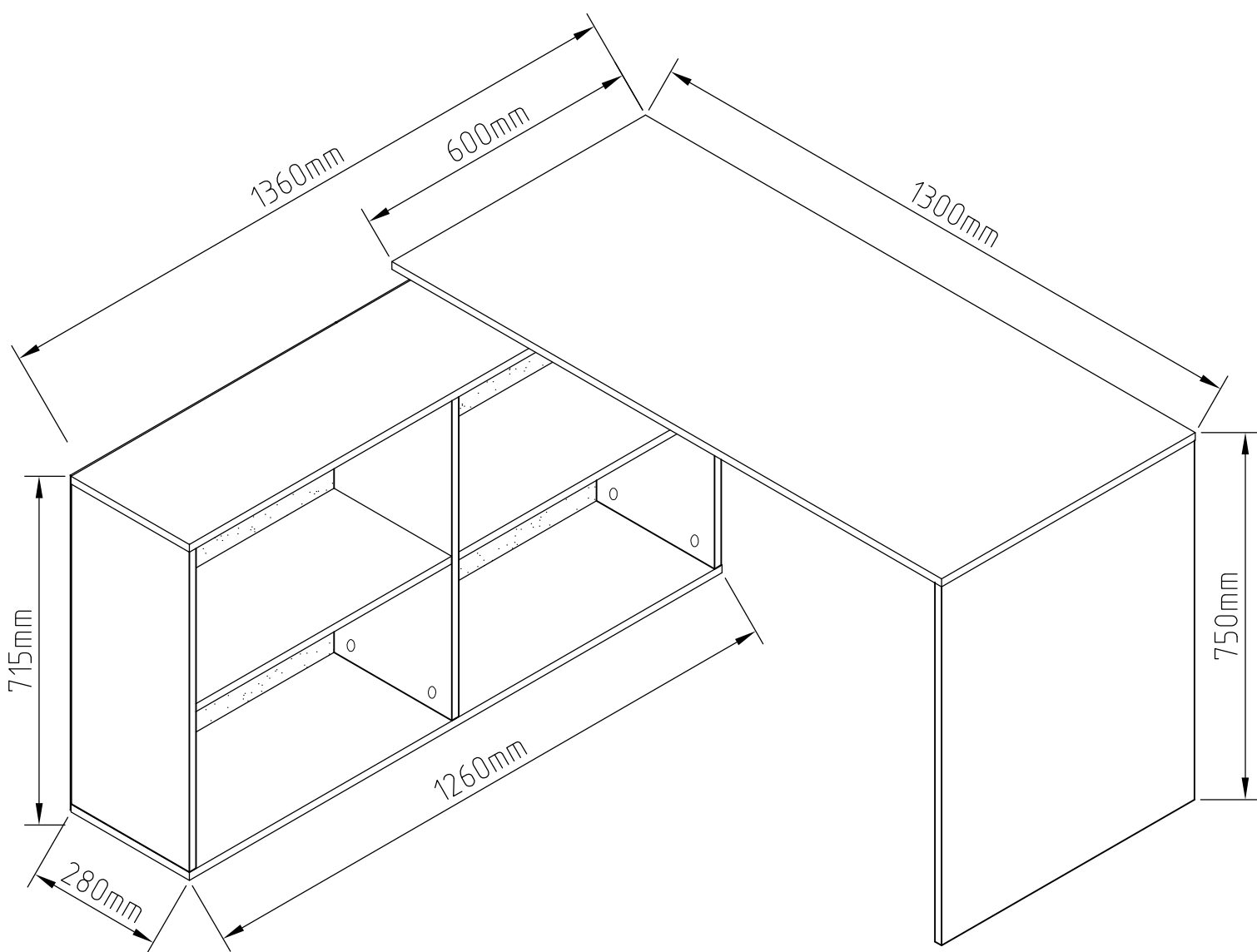
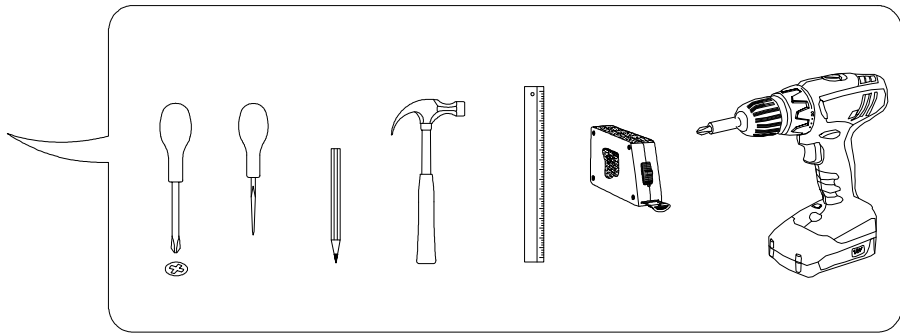
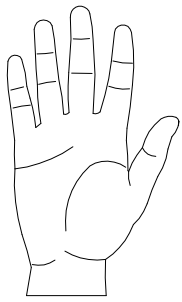
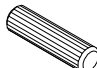
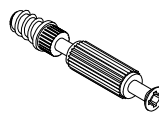
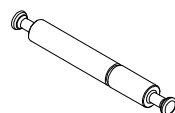
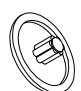

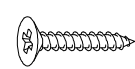

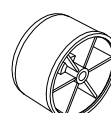
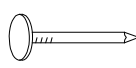
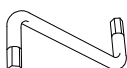



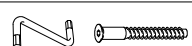
# LESTER

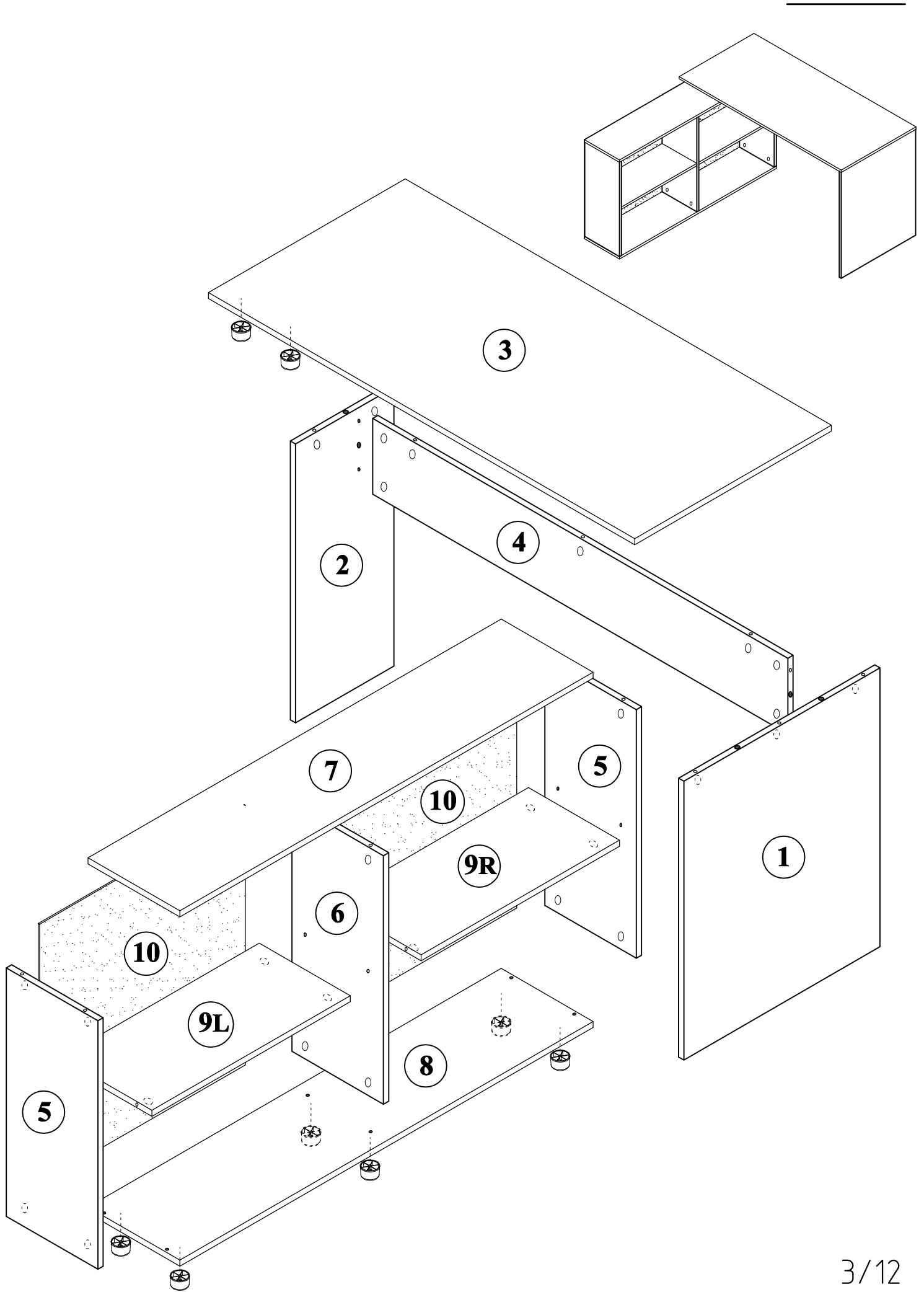
## Pisalna miza

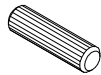
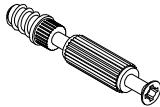






 <b>A1</b> 8*30mm x5	 <b>C1</b> 6*43mm x28	 <b>C2</b> 8*65mm x2
 <b>D</b> $\phi$ 20mm x32	 <b>D1</b> 15/16 x32	 <b>E7</b> 3,5*20mm x8
 <b>K1</b> x5	 <b>K30</b> $\phi$ 45*h25 x8	 <b>R3</b> 1.4*25mm 0.020kg
 <b>R4</b> N°4 x1	 <b>U5</b> 20*20mm x2	

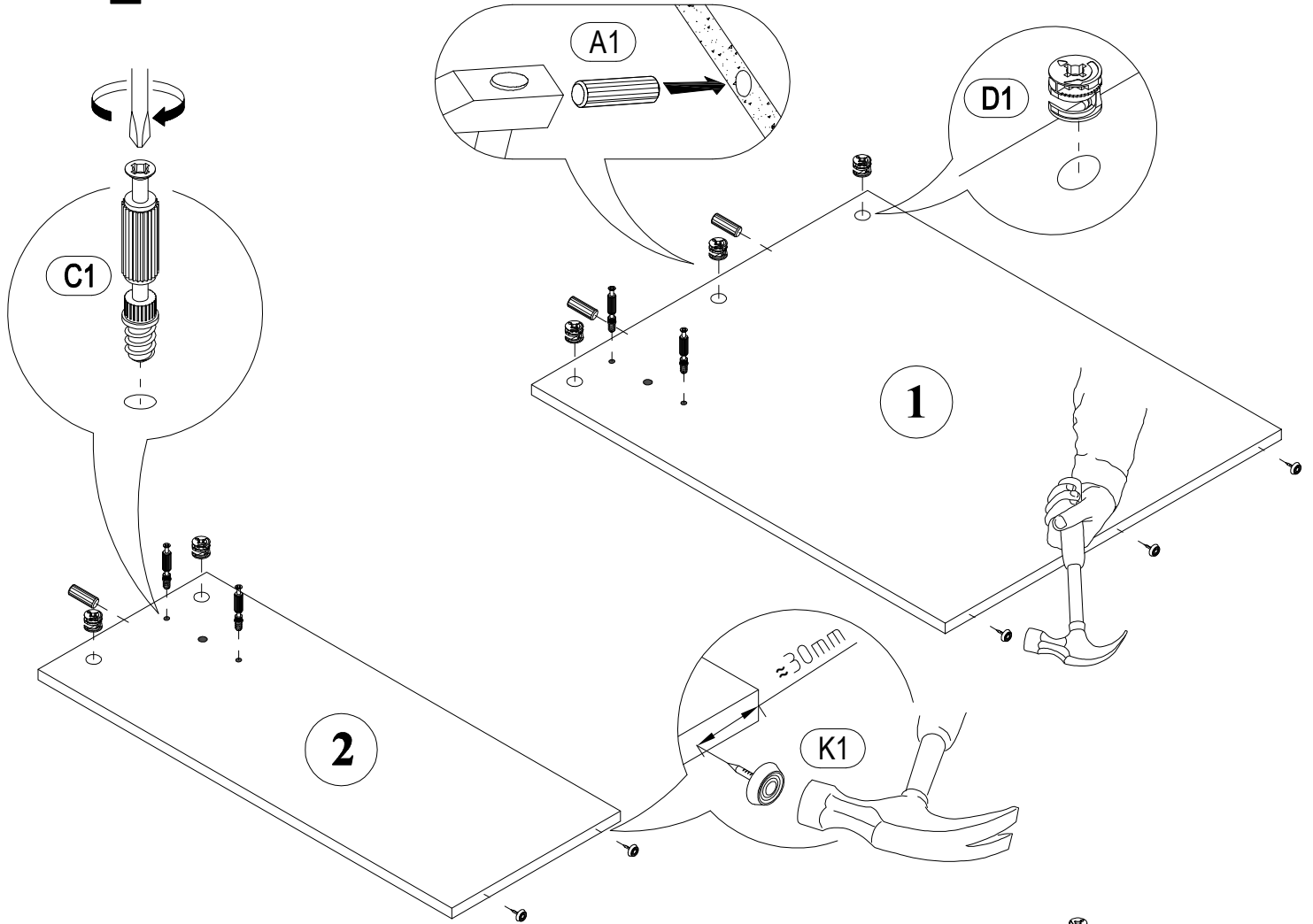
No	a*b	x	N°→...	No	a*b	x	N°→...
1	736x598	x1	1/1	8	1260x280	x1	1/1
2	736x300	x1	1/1	9L	605x278	x1	1/1
3	1300x600	x1	1/1	9R	605x278	x1	1/1
4	1266x200	x1	1/1	10	627x685	x2	1/1
5	656x279	x2	1/1				
6	656x279	x1	1/1			x1	1/1
7	1260x280	x1	1/1				



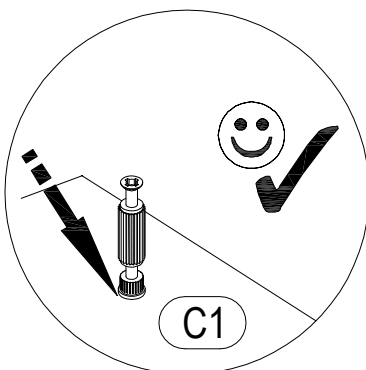
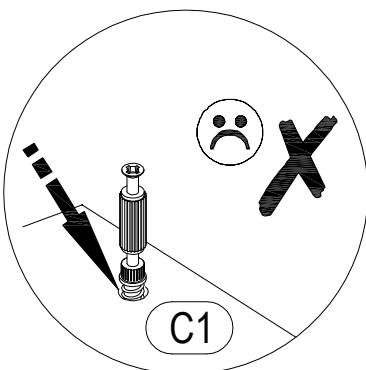
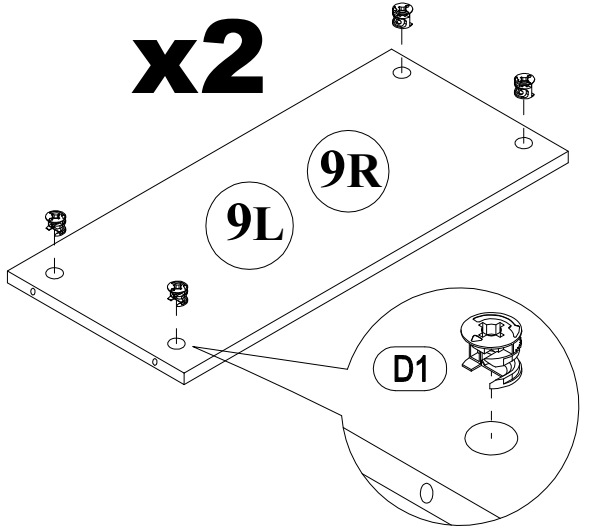
 <b>A1</b> 8*30mm x3	 <b>C1</b> 6*43mm x4	 <b>D1</b> 15/16 x13
--	--	--

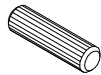
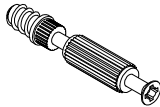

 <b>K1</b> x5
---

# 1

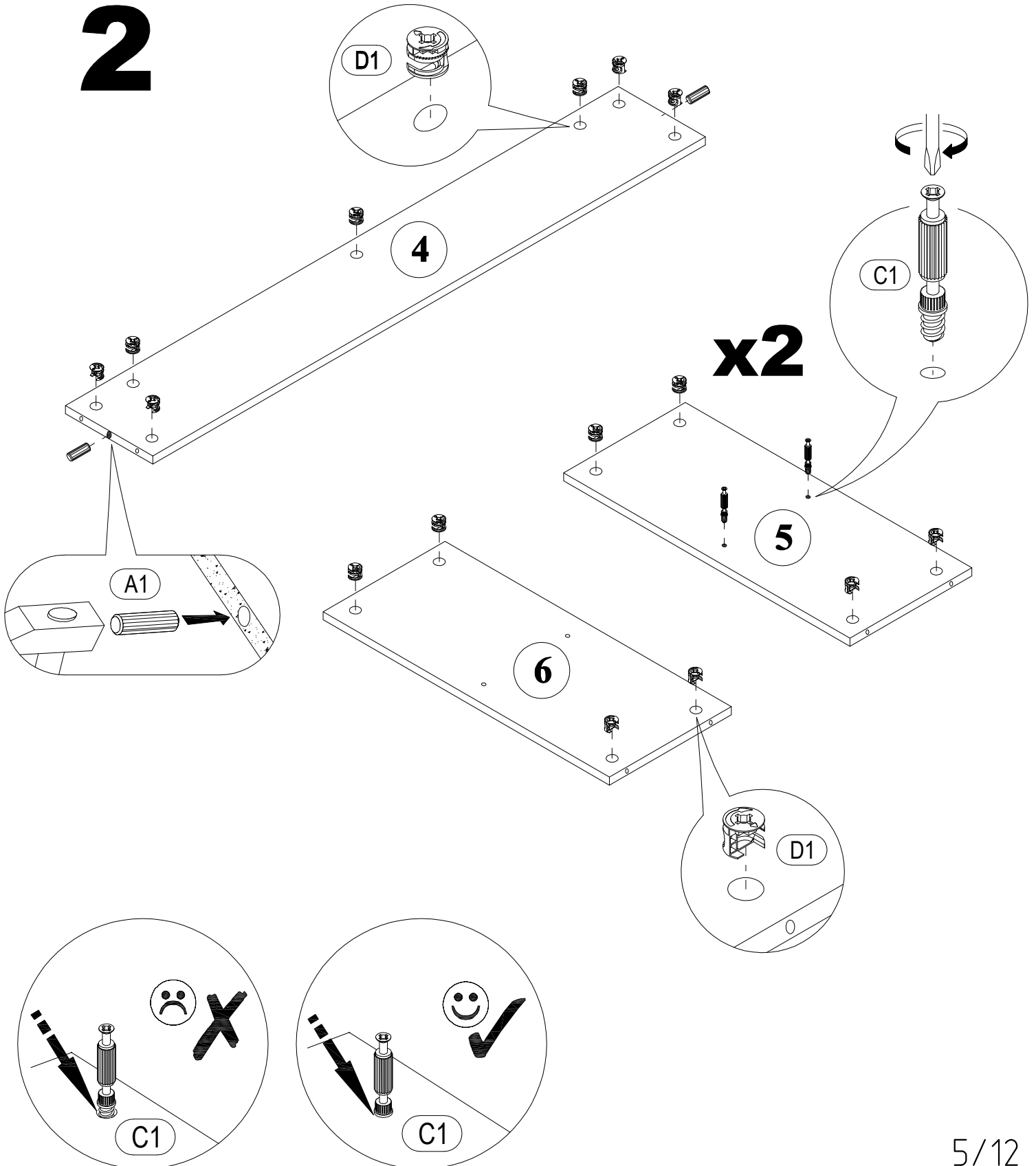


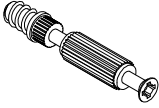

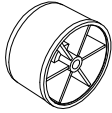

# x2



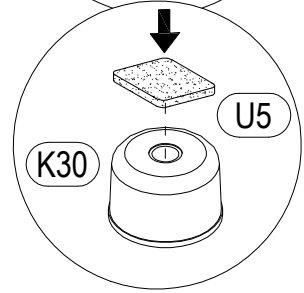
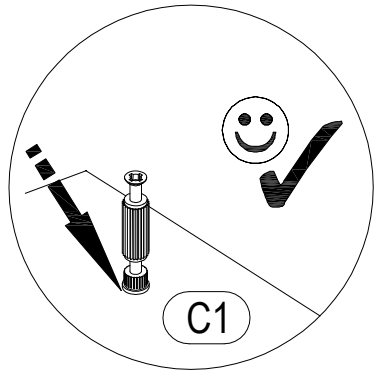
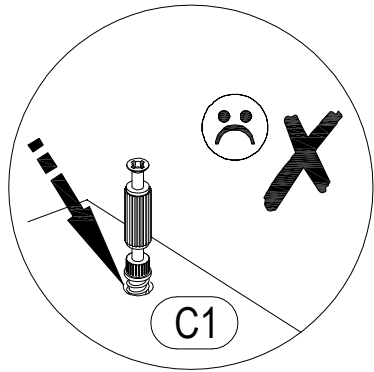
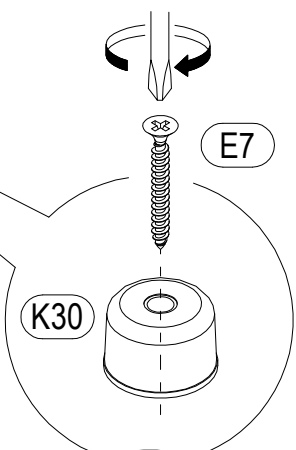
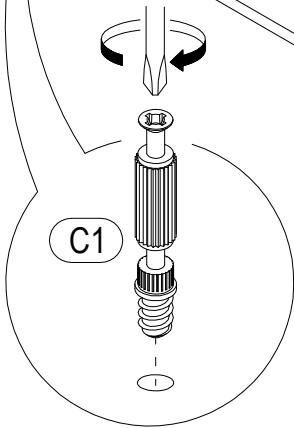
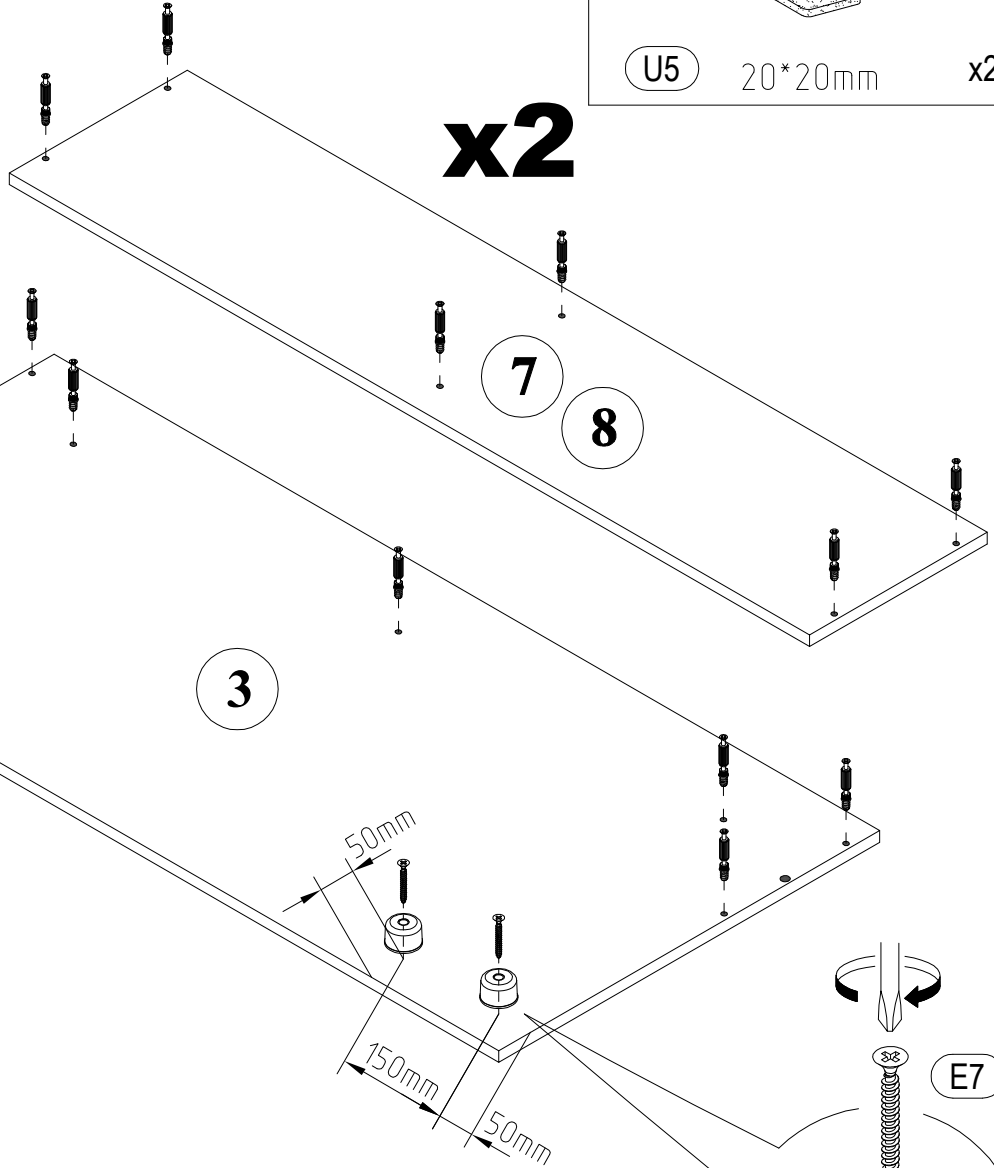
 <b>A1</b> 8*30mm x2	 <b>C1</b> 6*43mm x4	 <b>D1</b> 15/16 x19
--	--	--

# 2

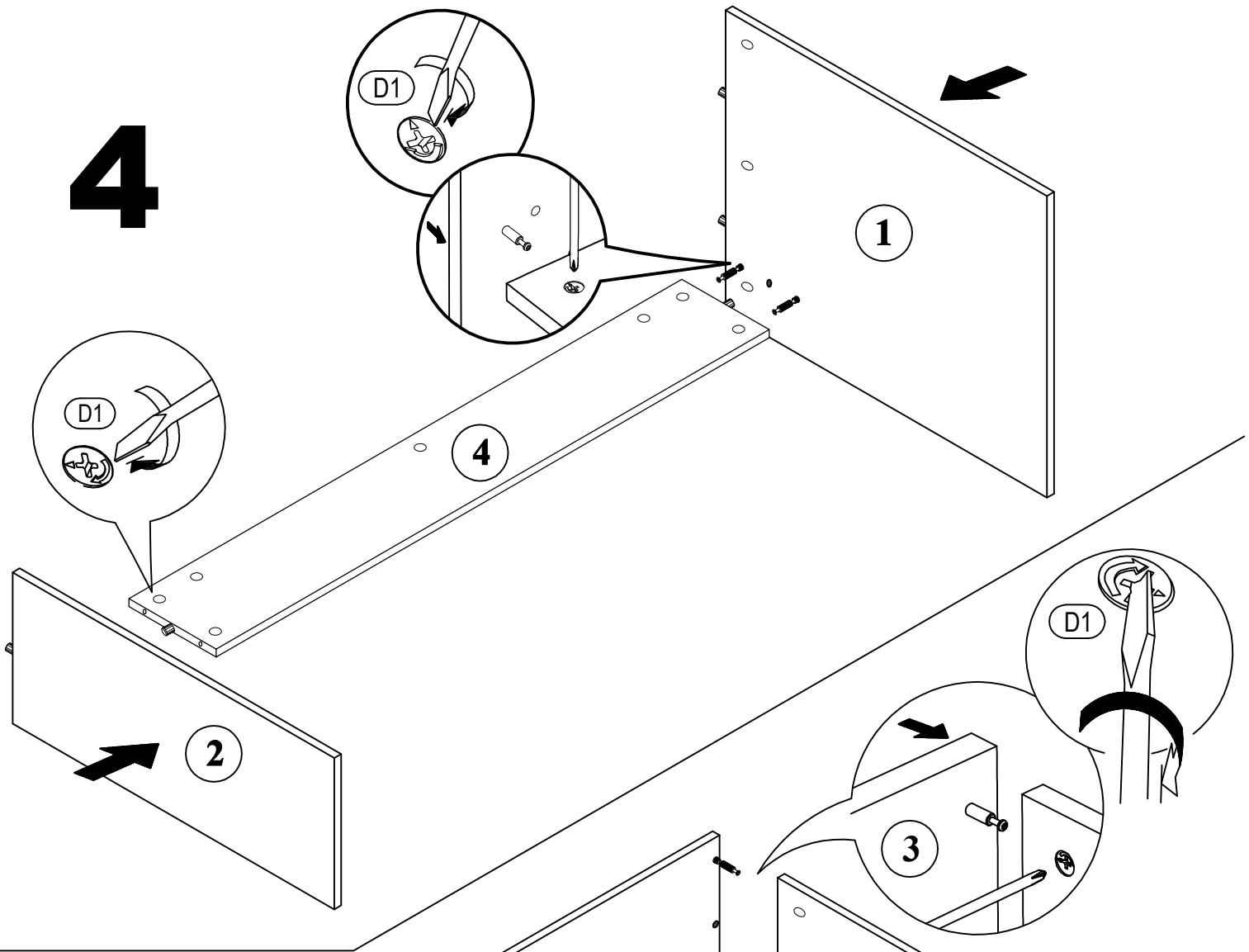


 <p><b>C1</b> 6*43mm x20</p>	 <p><b>E7</b> 3,5*20mm x2</p>	 <p><b>K30</b> ø45*h25 x2</p>
 <p><b>U5</b> 20*20mm x2</p>		

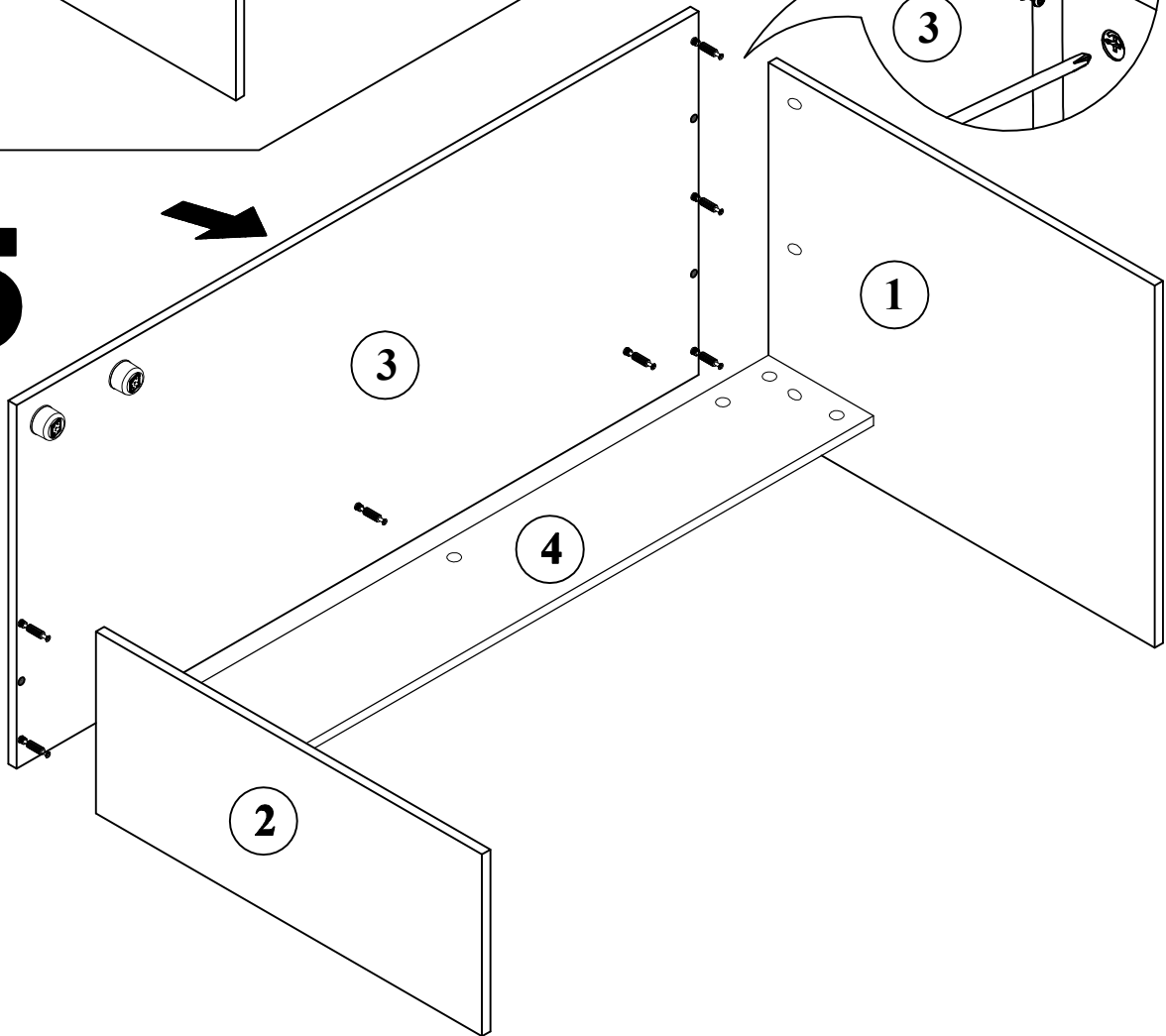
# 3



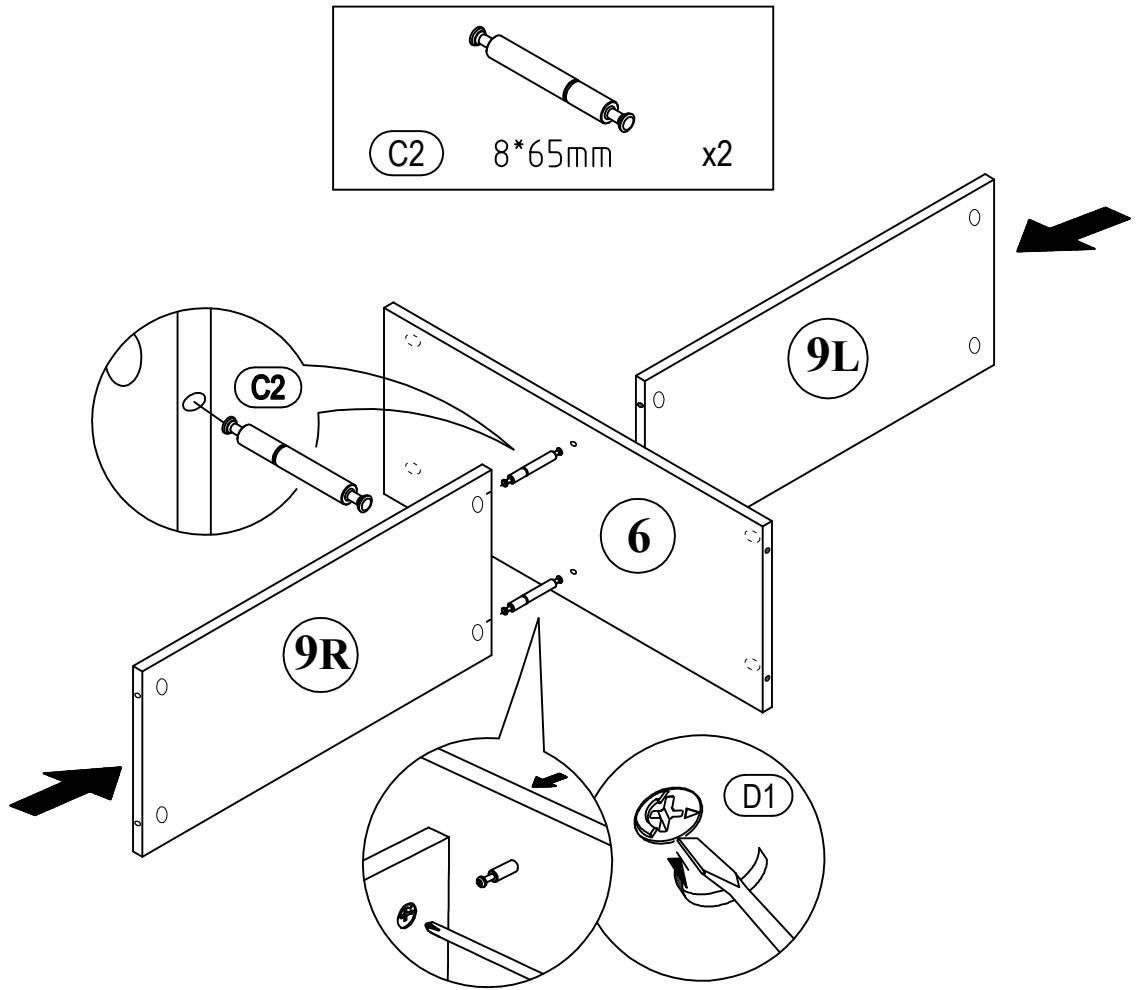
4



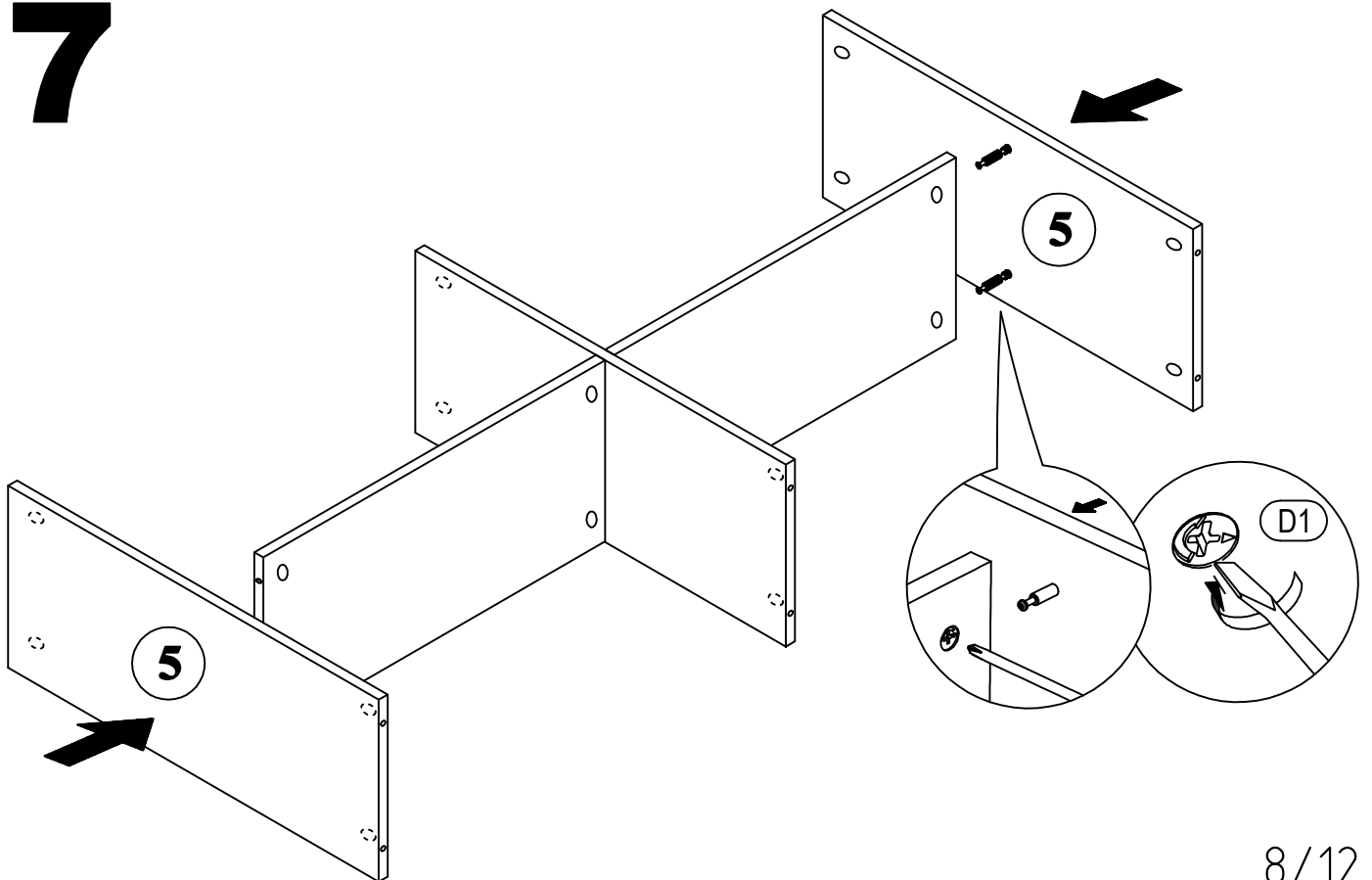
5



# 6

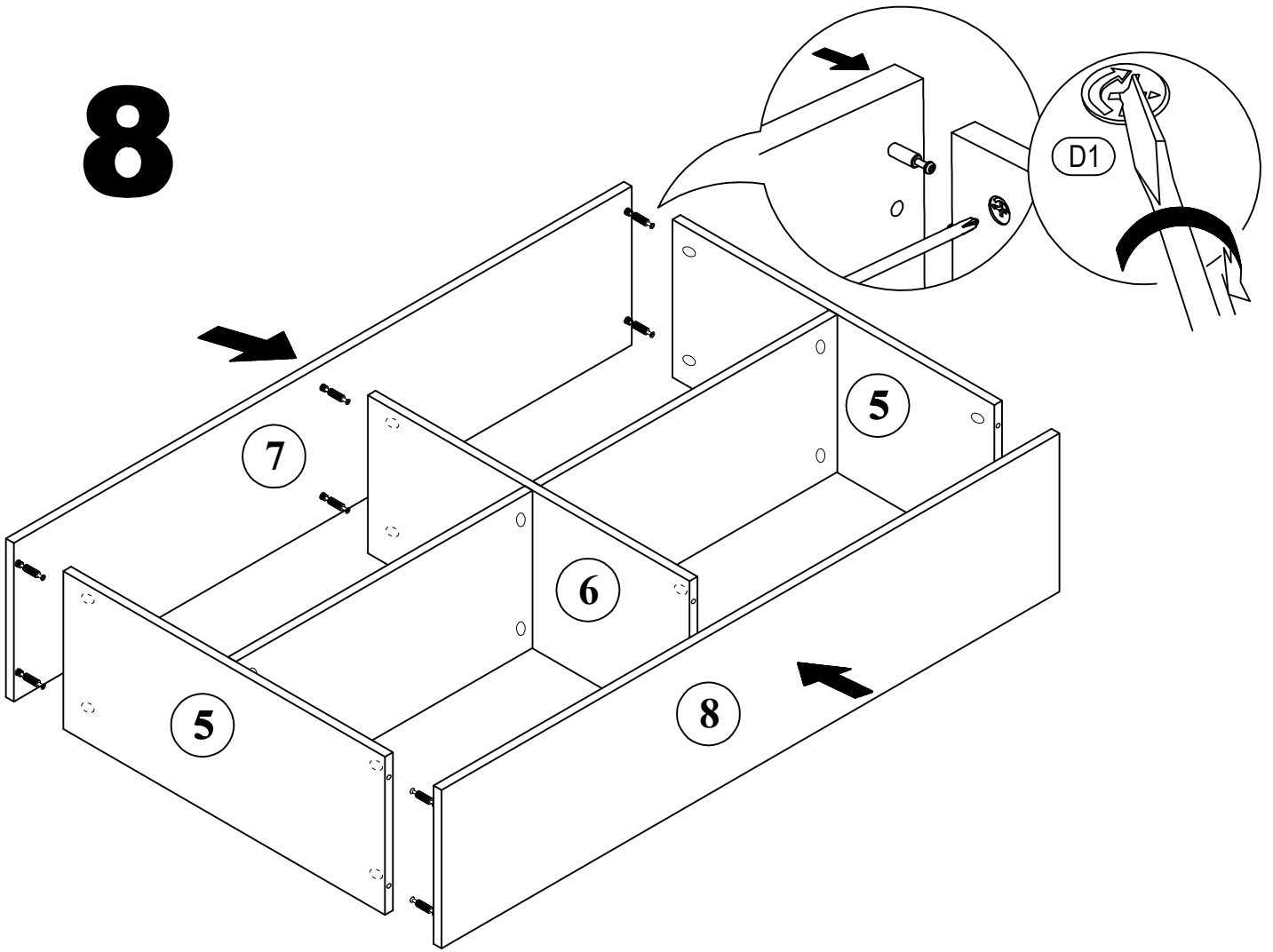


# 7

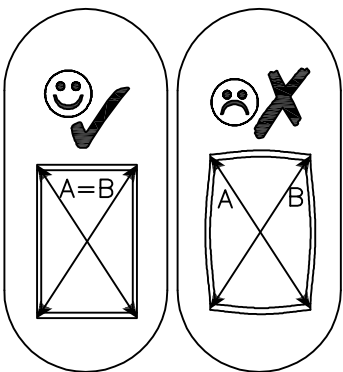
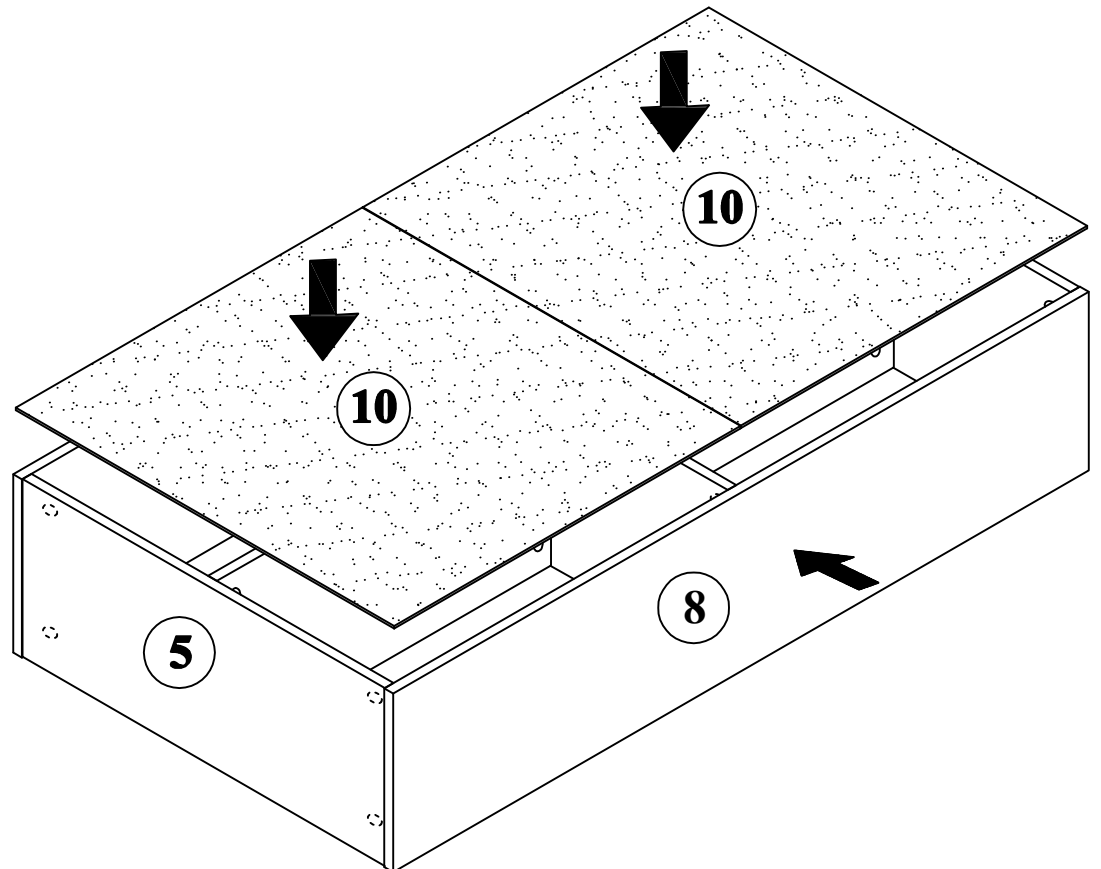


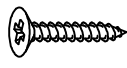
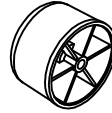
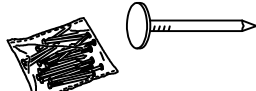


# 8

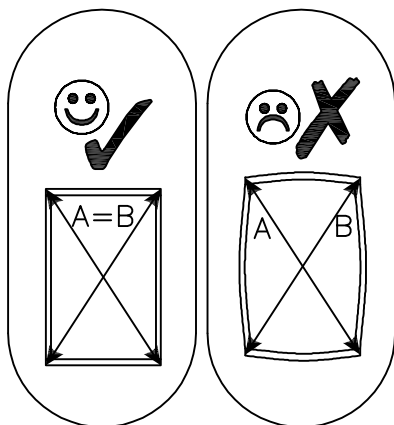
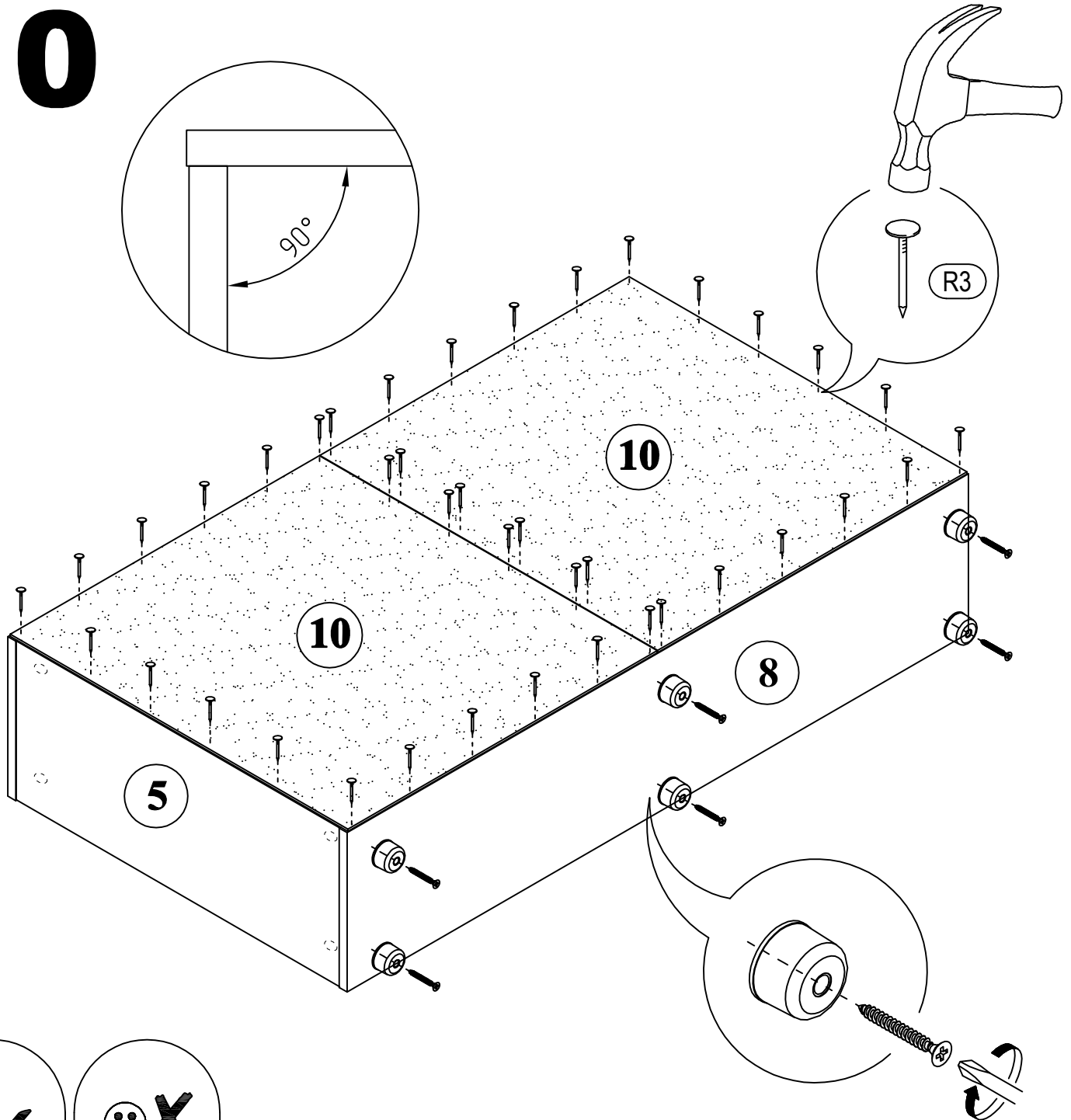


# 9



 <b>(E7)</b> 3,5*20mm x6	 <b>(K30)</b> $\phi 45$ *h25 x6	 <b>(R3)</b> 1.4*25mm 0.020kg
--	---	---

# 10



# 11

