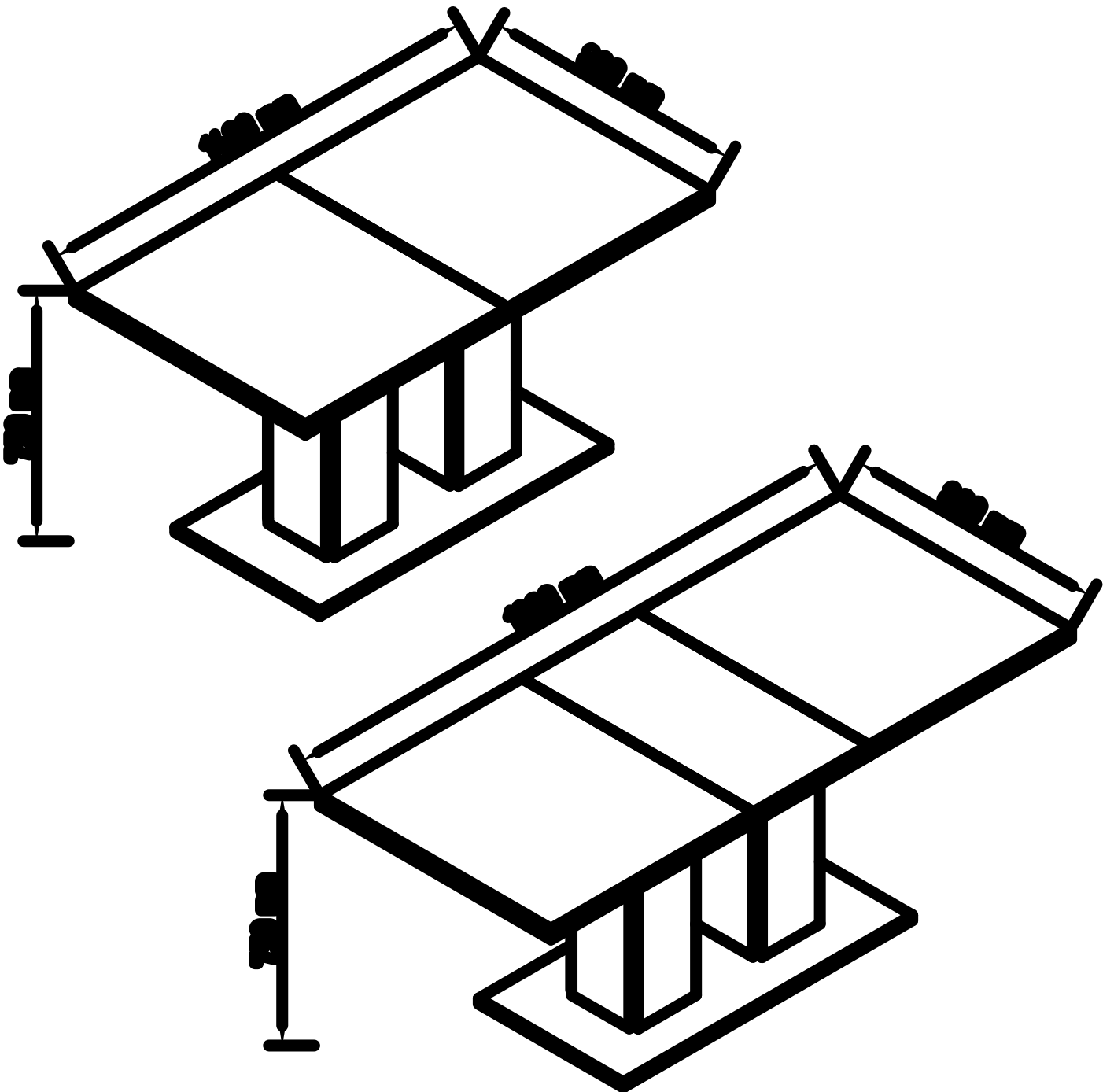
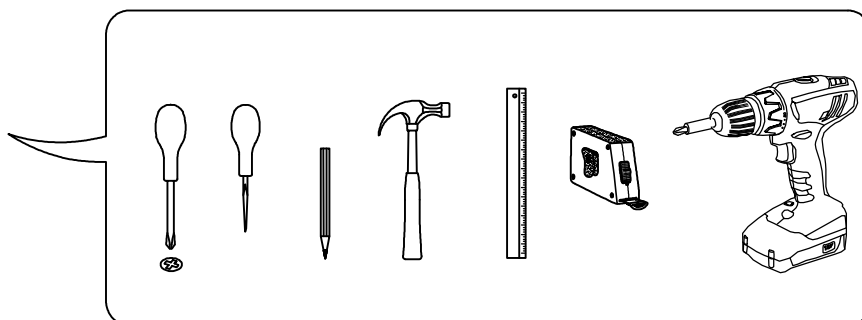
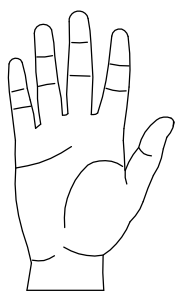




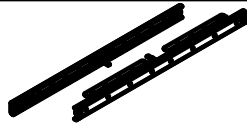







TURIN

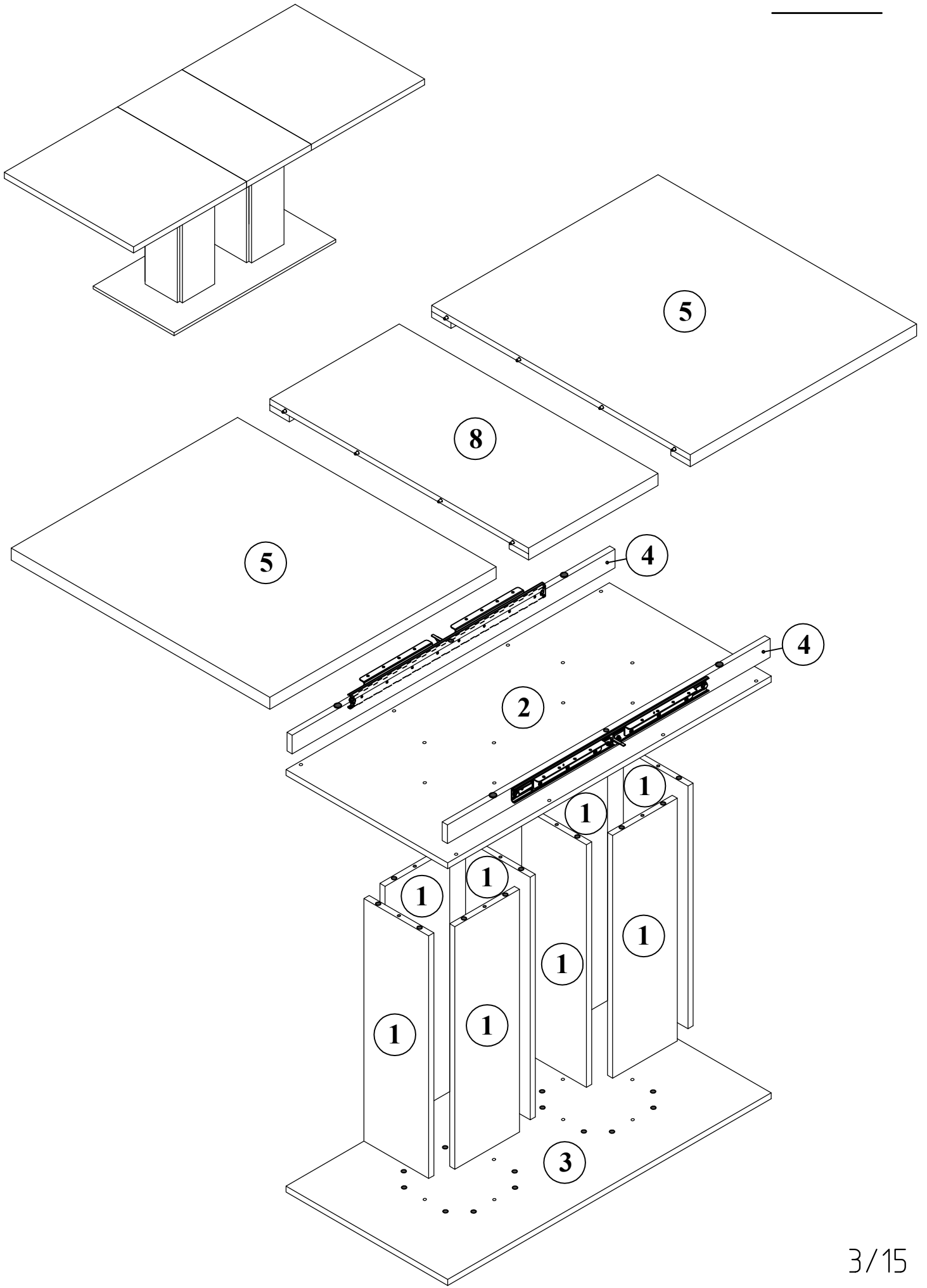
dining table





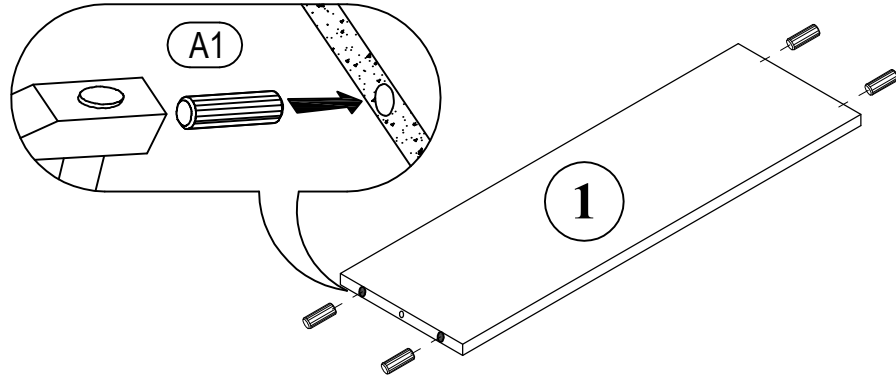
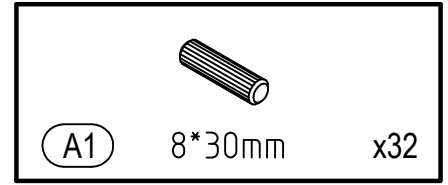
 (A1) 8*30mm x32	 (B) ϕ 12mm x24	 (B1) 6,3*50mm x24
 (E12) 4*16mm x32	 (M6) L-600mm x1	 (M8) x10
 (R4) N4 x1	 (U2) ϕ 24 mm x8	 (U4) 30*30mm x8

Nº	a*b	x	Nº→...
1	650x200	x8	
2	1000x500	x1	
3	1000x500	x1	
4	998x50	x2	
5	700x800	x2	
8	400x800	x1	
		x1	



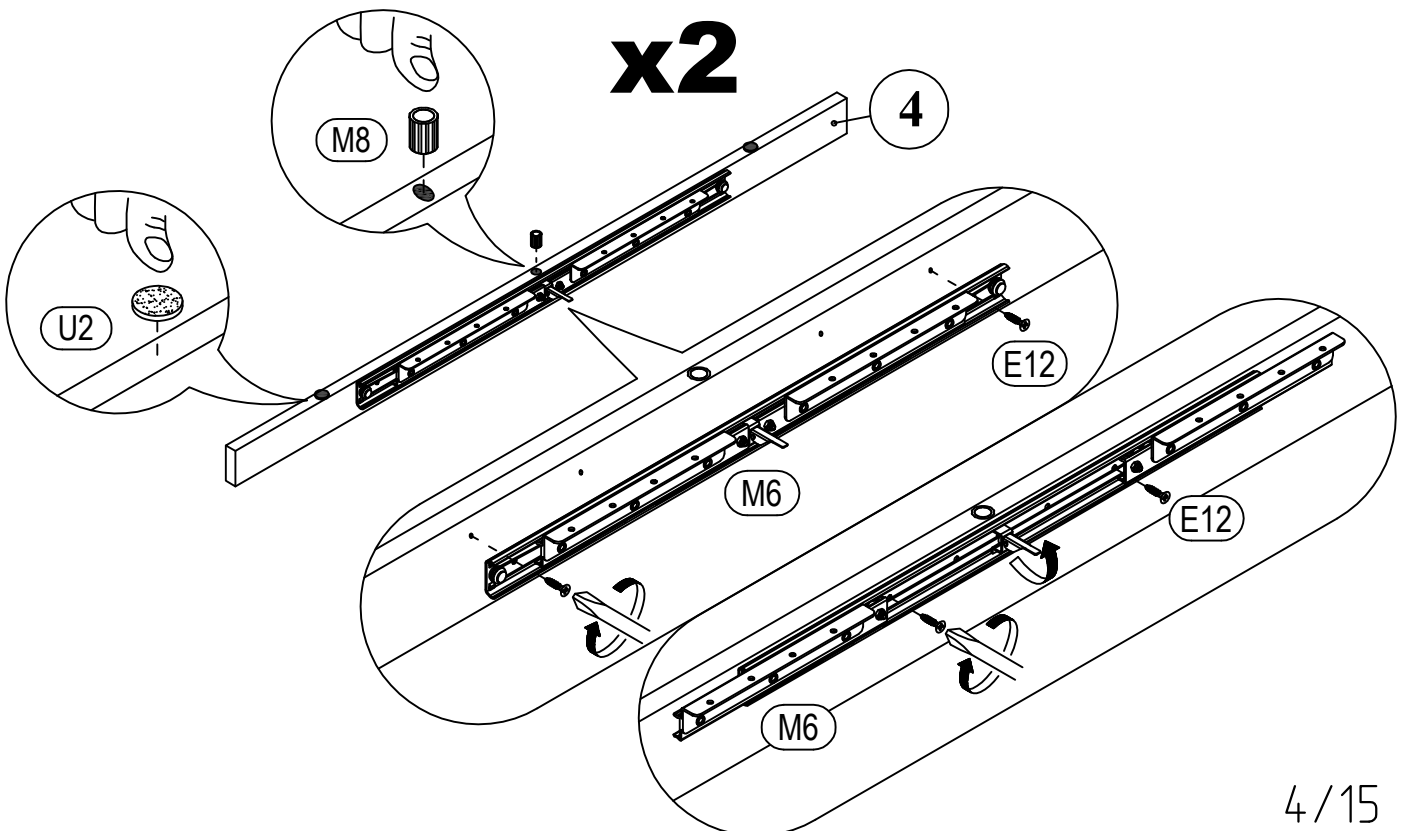
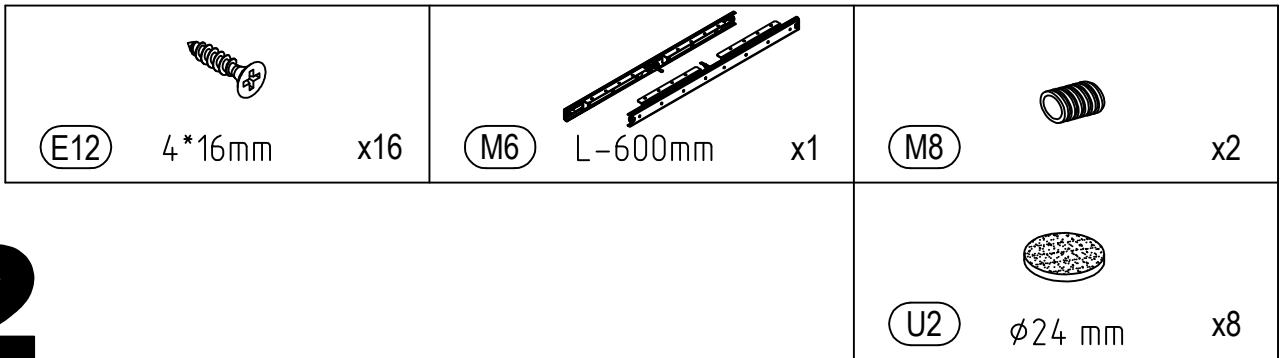
1

x8

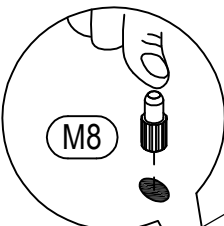
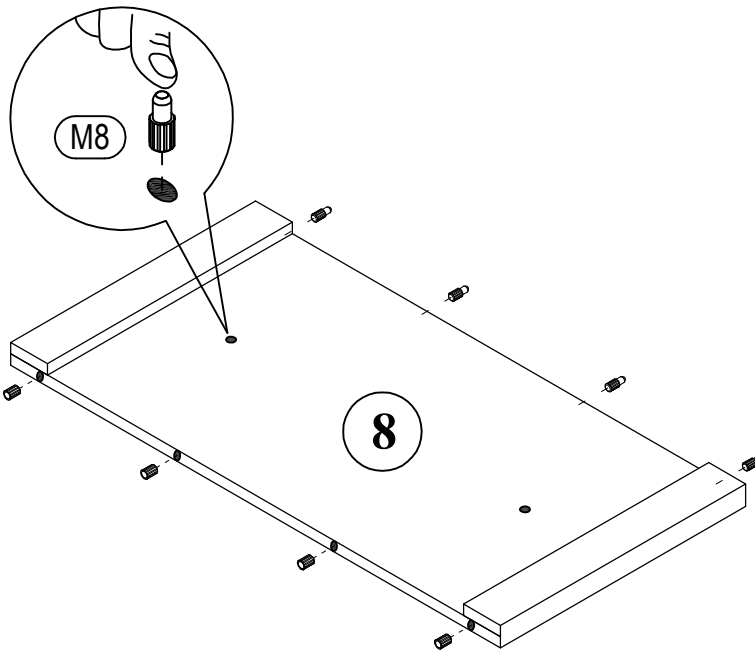
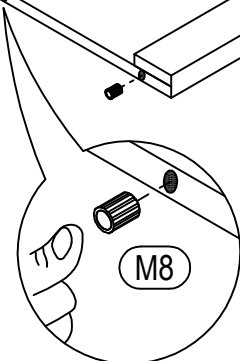
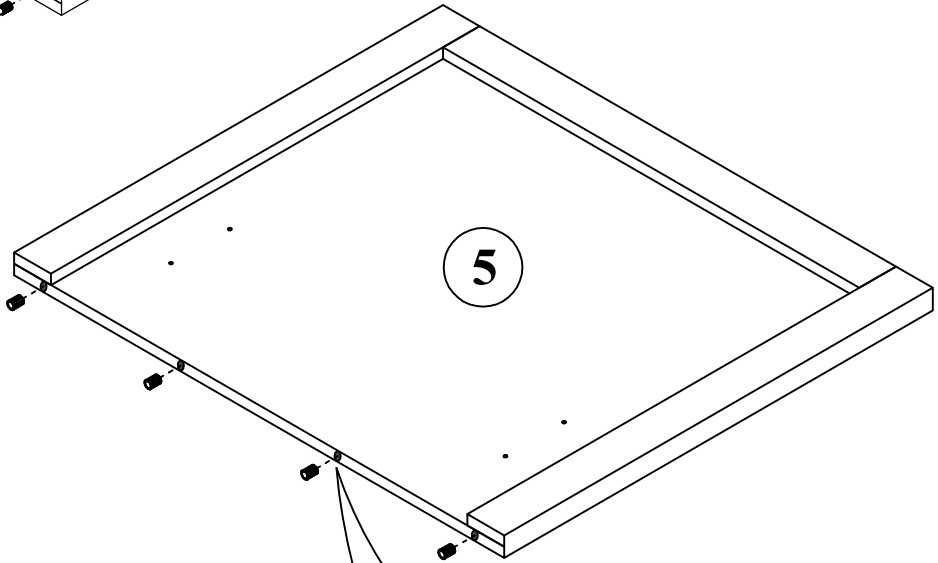
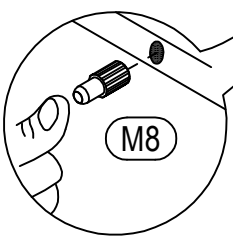
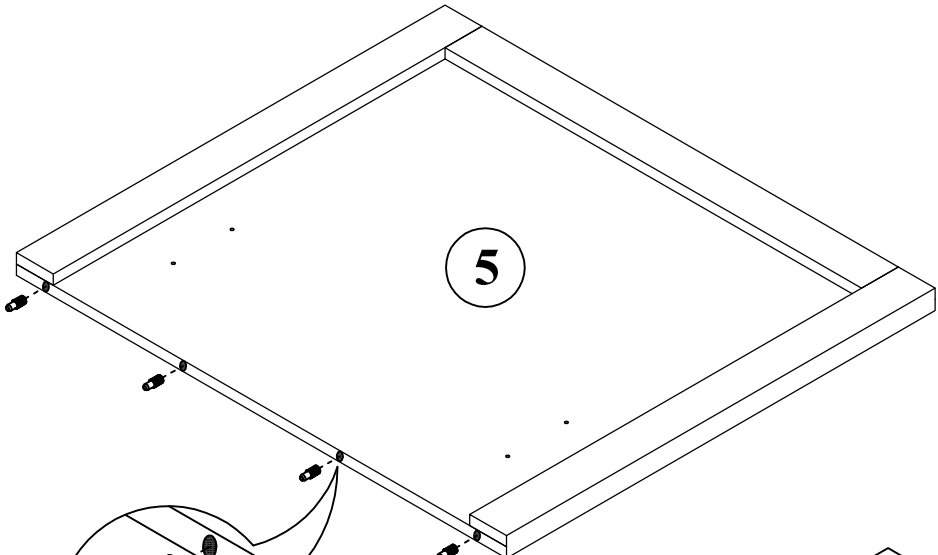
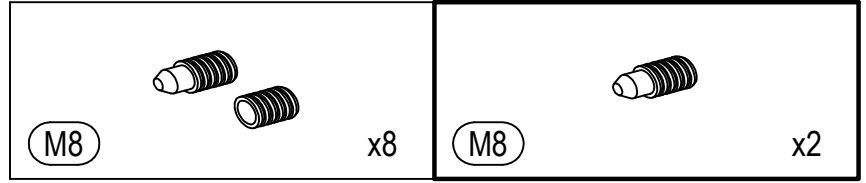


2

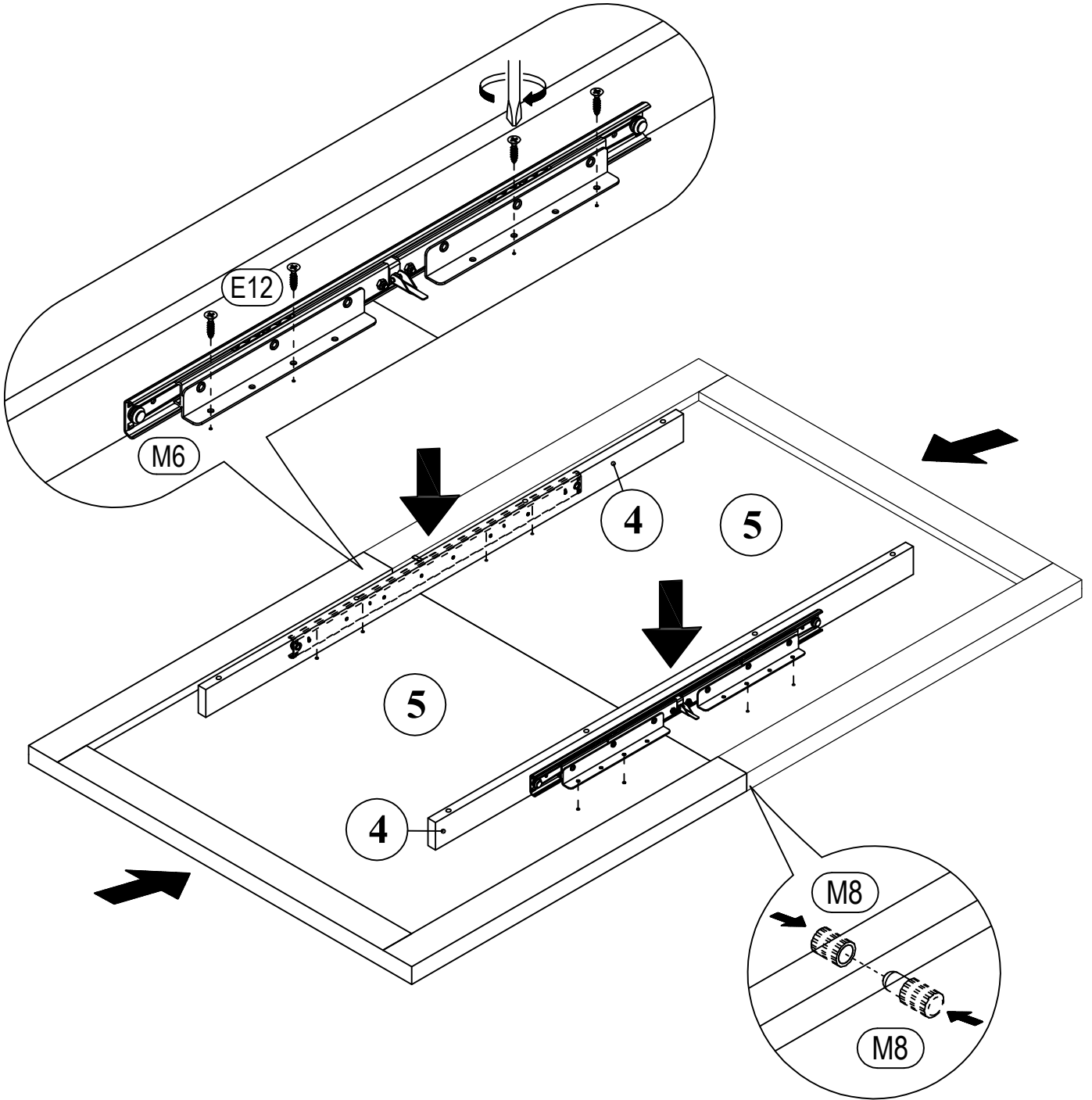
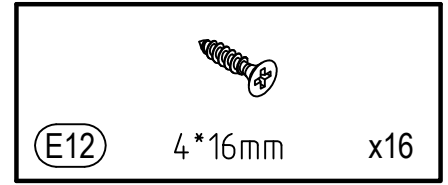
x2



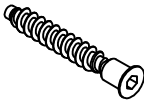
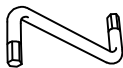
3

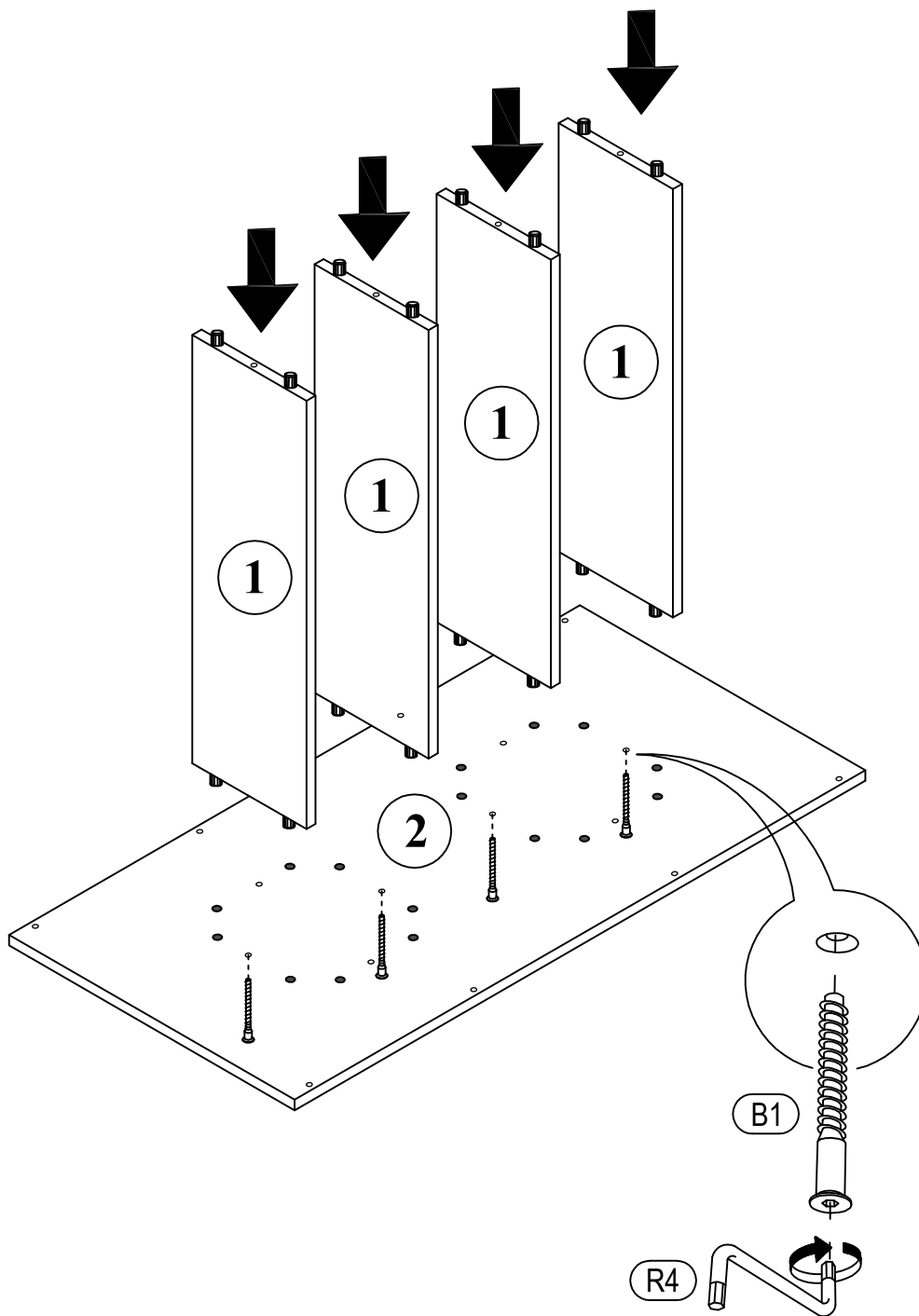


4

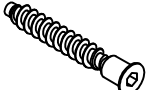
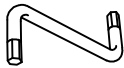


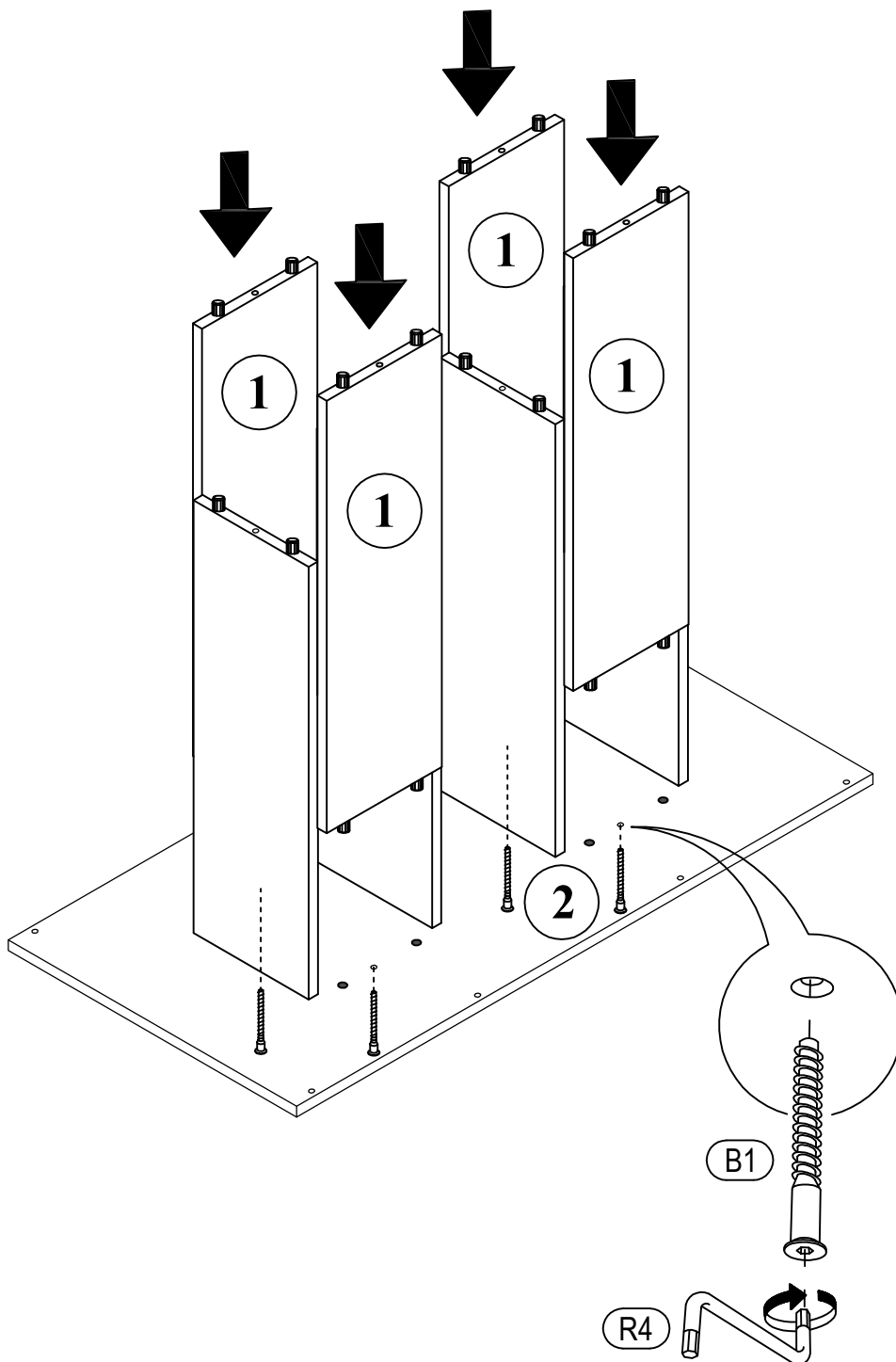
5

 (B1) 6,3*50mm x4	 (R4) N°4 x1
---	--

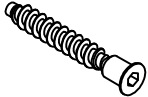
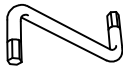


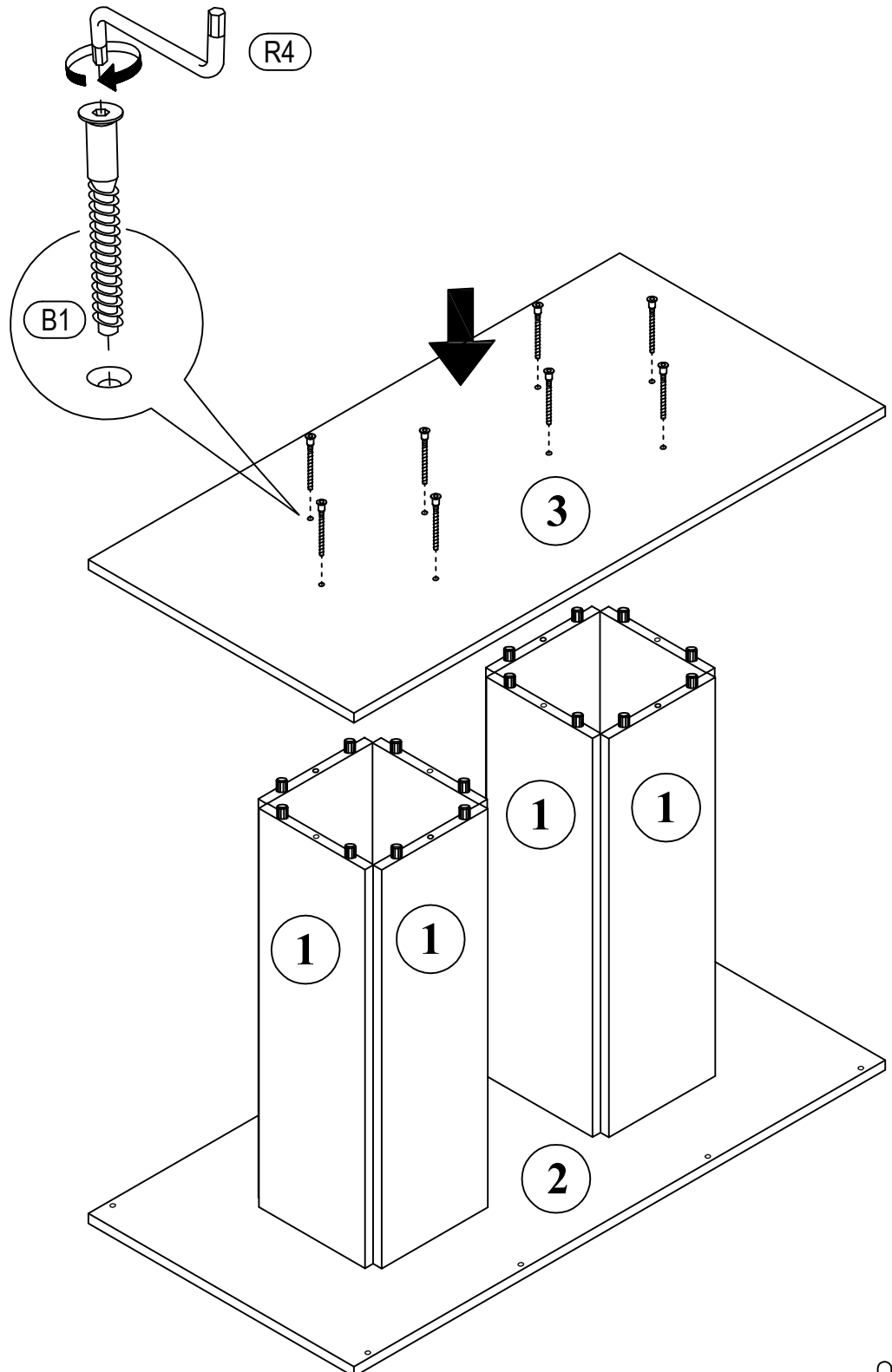
6

 B1 6,3*50mm x4	 R4 N°4 x1
---	--

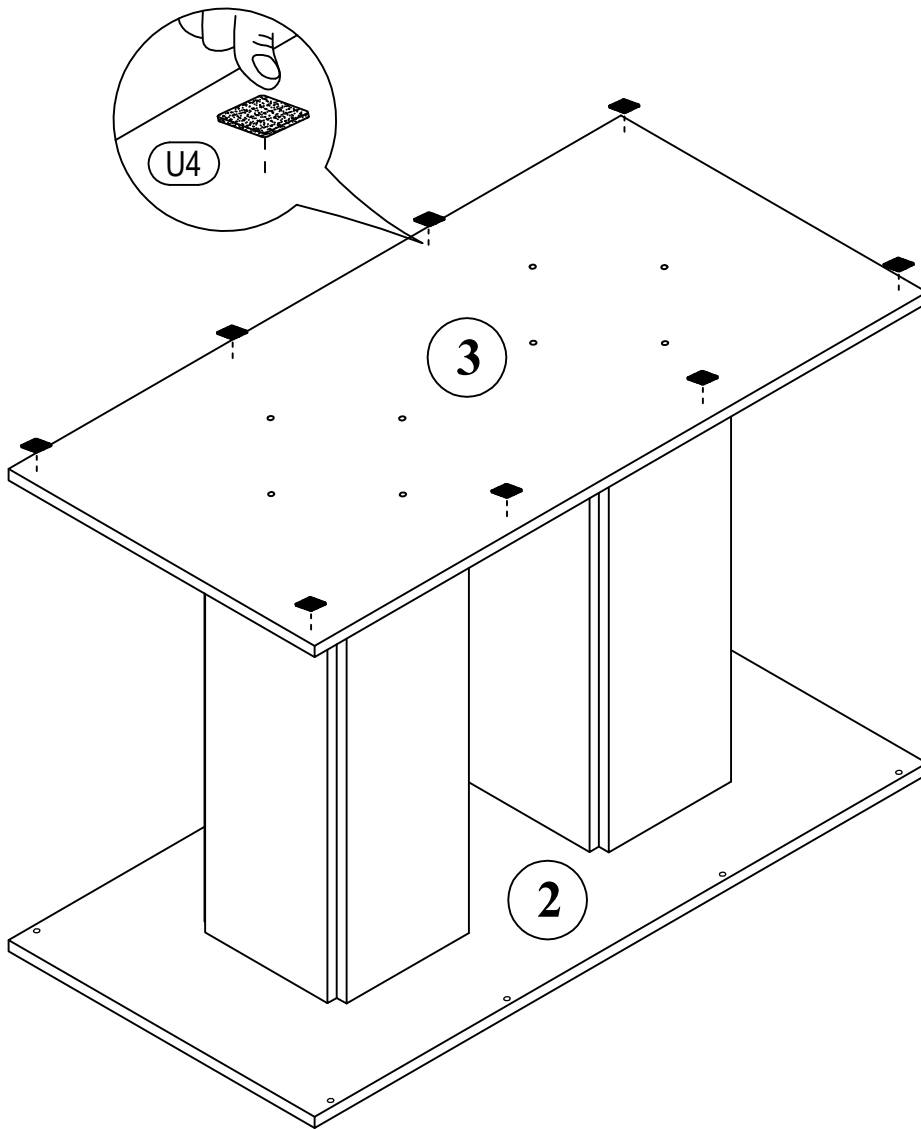
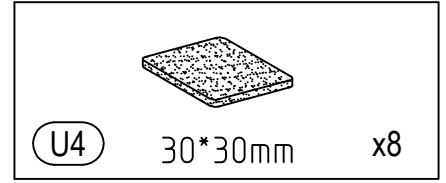


7

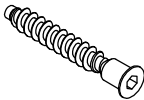
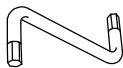
 B1 6,3*50mm x8	 R4 N°4 x1
--	---

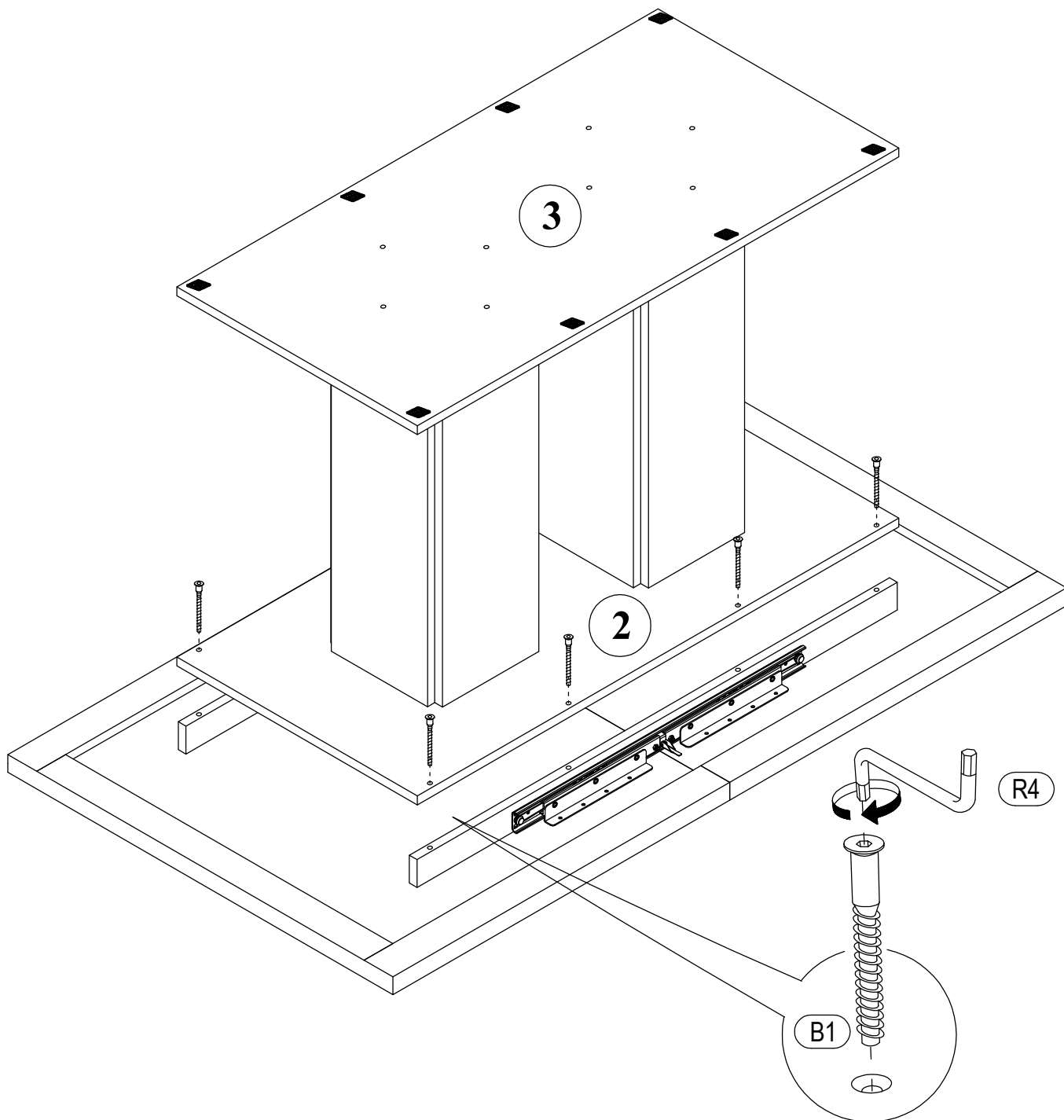


8

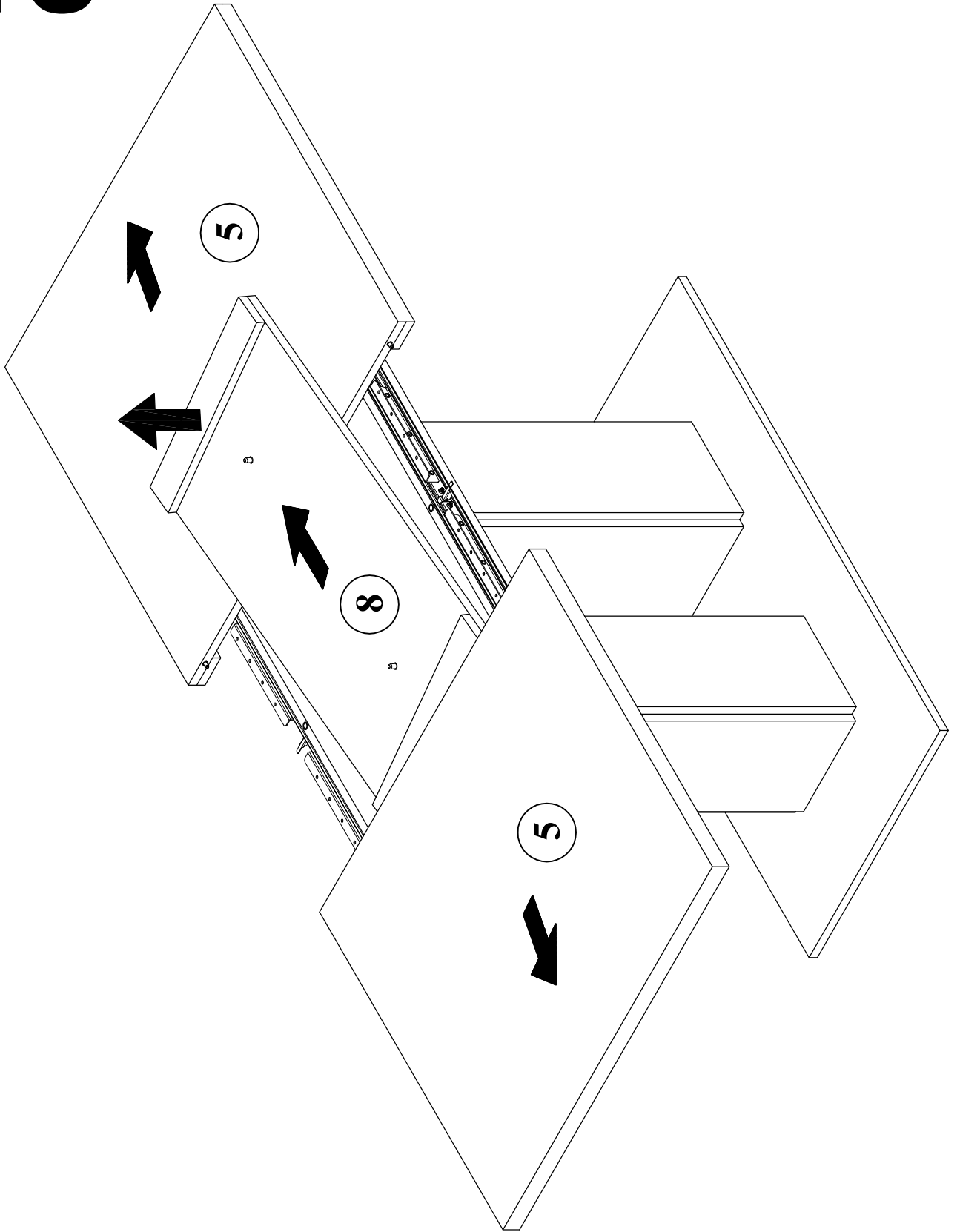


9

 B1 6,3*50mm x8	 R4 N°4 x1
---	--



10



11

