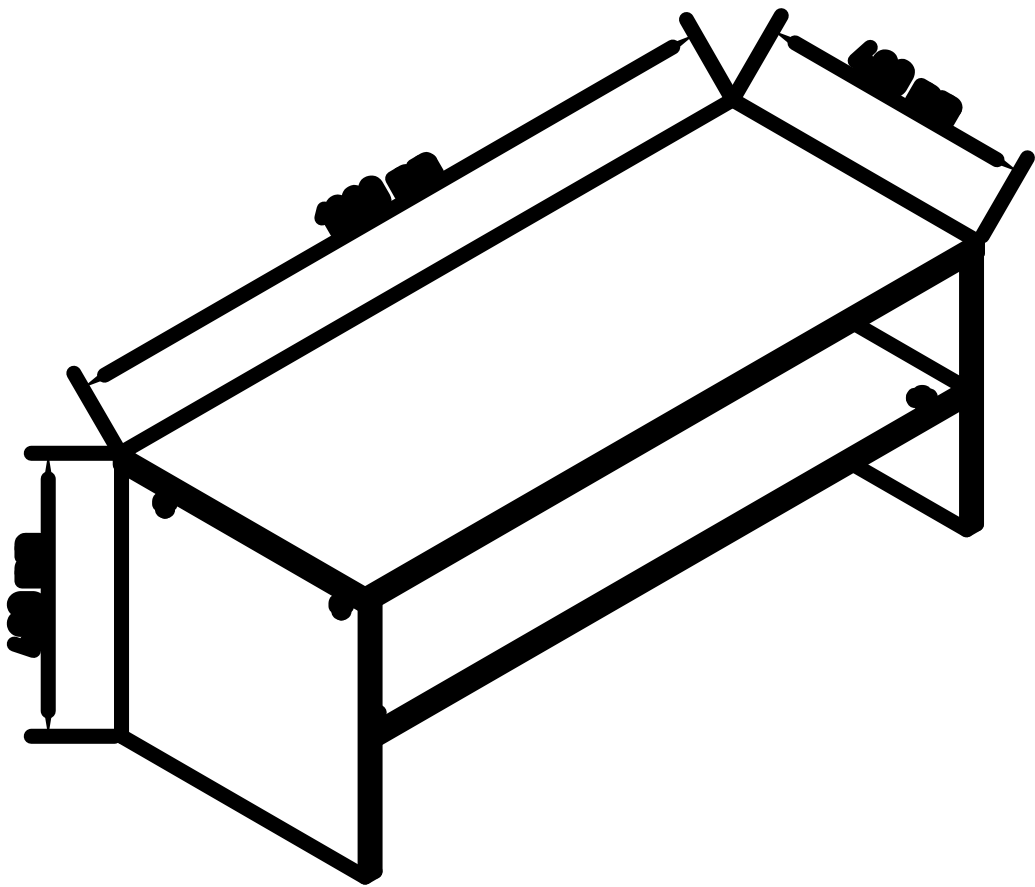
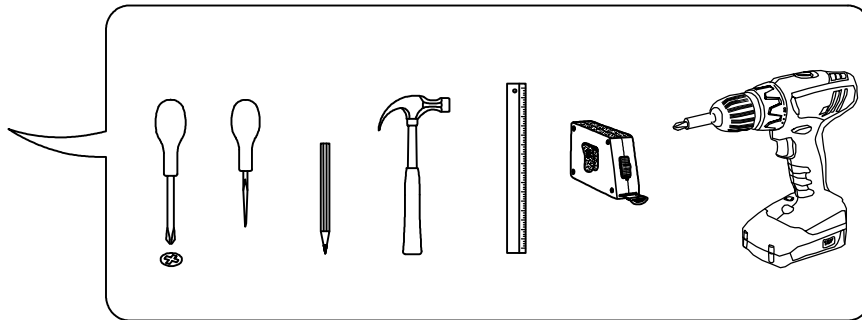
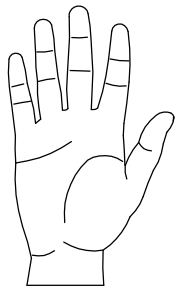










# LUISA

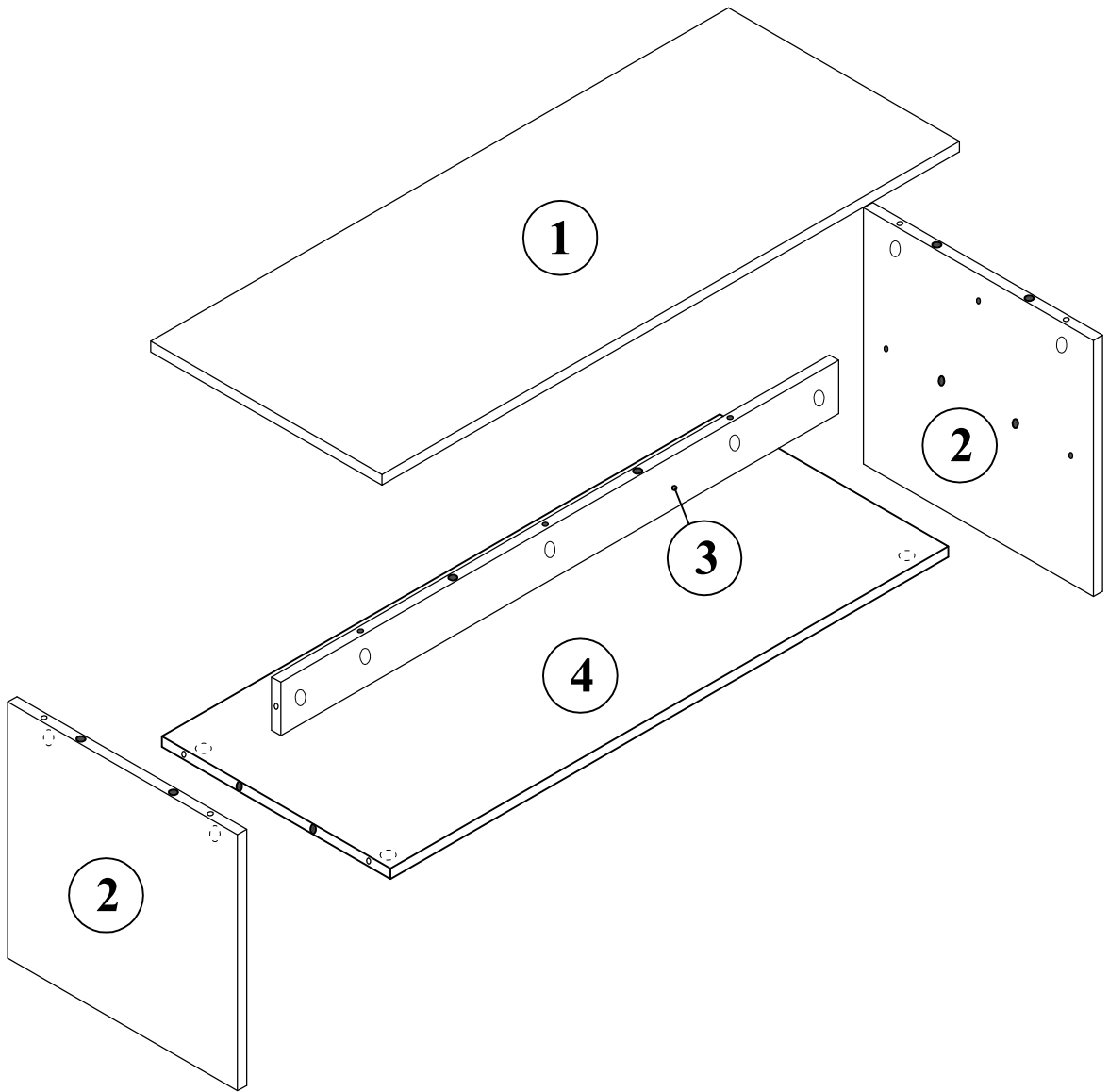
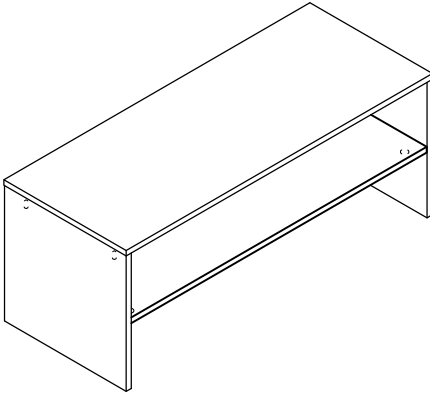
## COFFEE TABLE

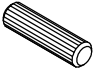
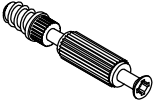






 <b>(A1)</b> 8*30mm x10	 <b>(C1)</b> 6*43mm x13	 <b>(D)</b> $\phi$ 20mm x13
 <b>(D1)</b> 15/16 x13	 <b>(K1)</b> x4	 <b>(R4)</b> N4 x1

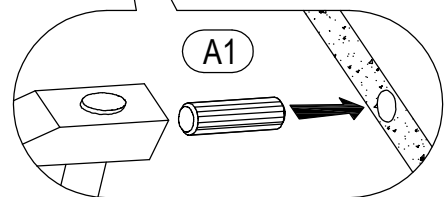
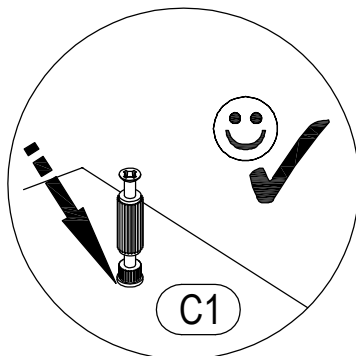
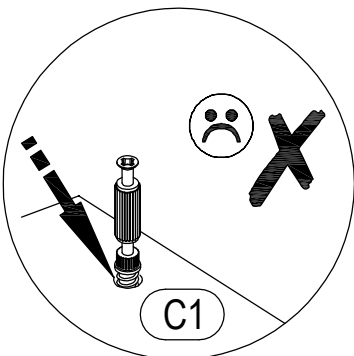
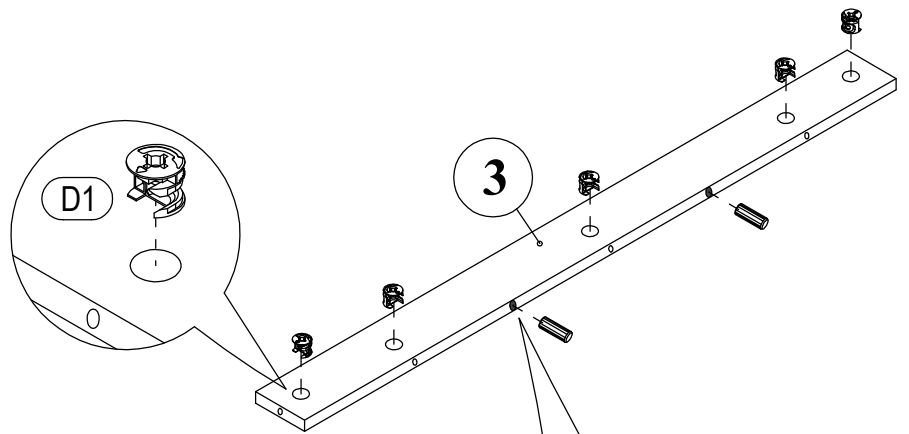
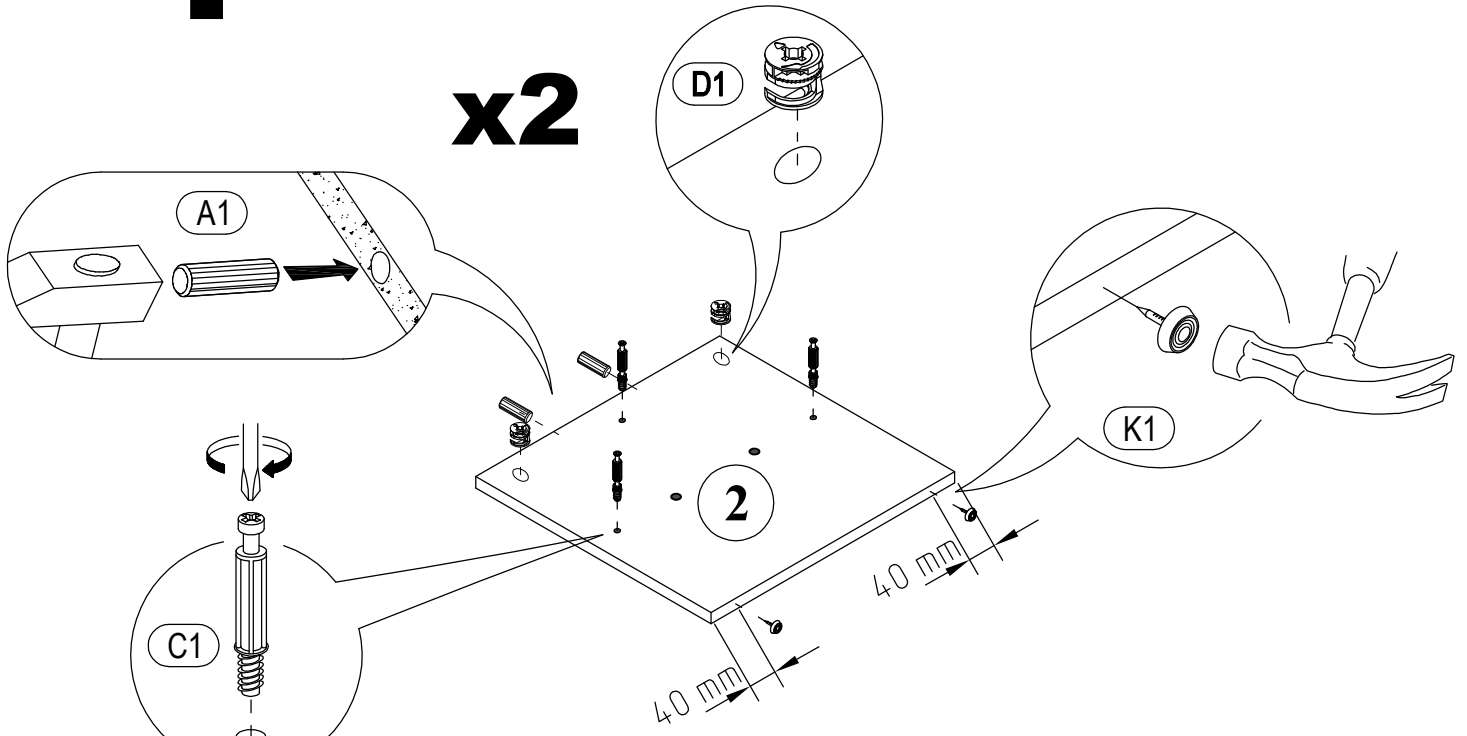
No	a*b	x	N°→...
1	1000x400	x1	1/1
2	398x384	x2	1/1
3	966x80	x1	1/1
4	966x396	x1	1/1
	 	x1	1/1


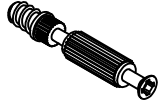



 <b>A1</b> 8*30mm x16	 <b>C1</b> 6*43mm x16	 <b>D1</b> 15/16 x16
-----------------------------------------------------------------------------------------------------------	-----------------------------------------------------------------------------------------------------------	------------------------------------------------------------------------------------------------------------

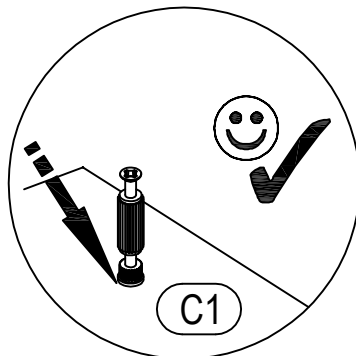
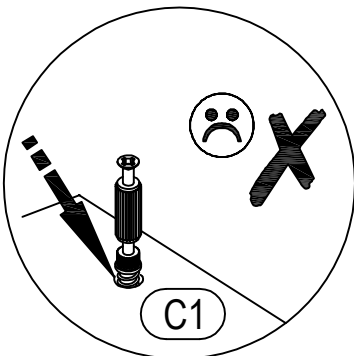
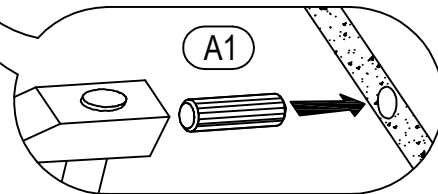
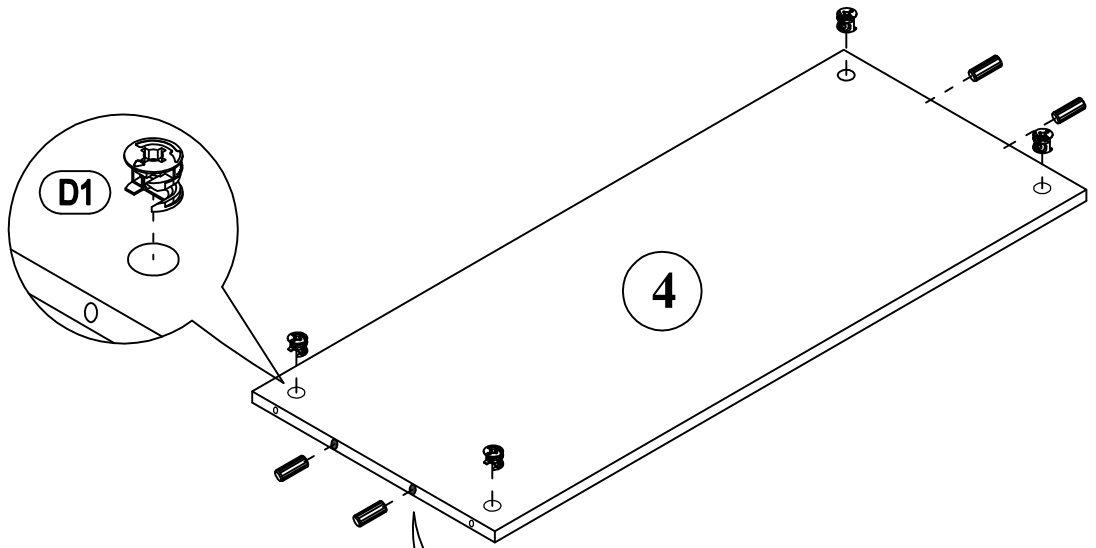
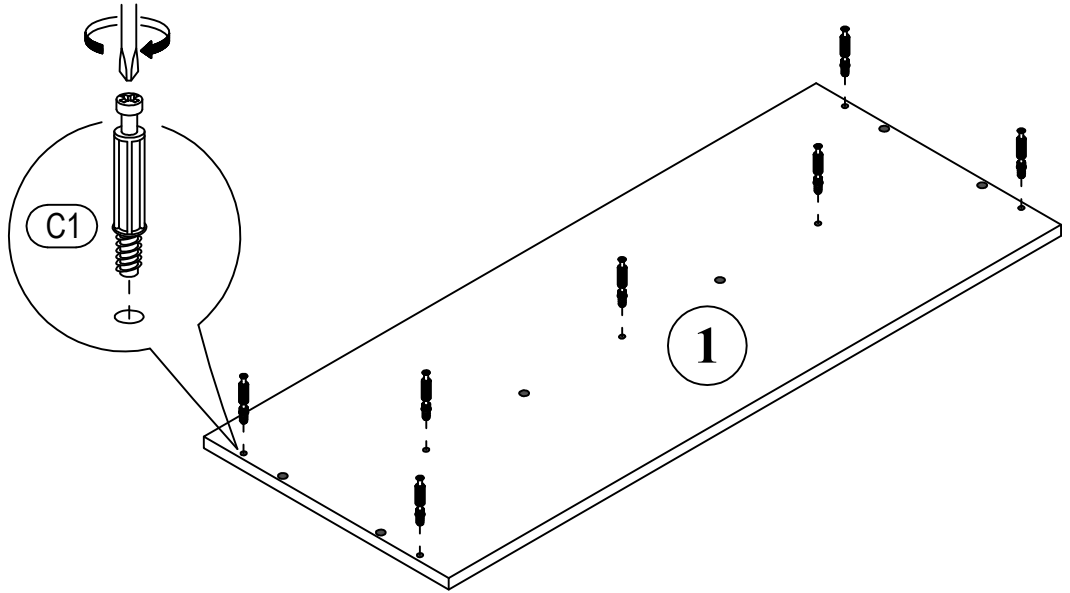
 <b>K1</b> x4
-----------------------------------------------------------------------------------------------------

# 1

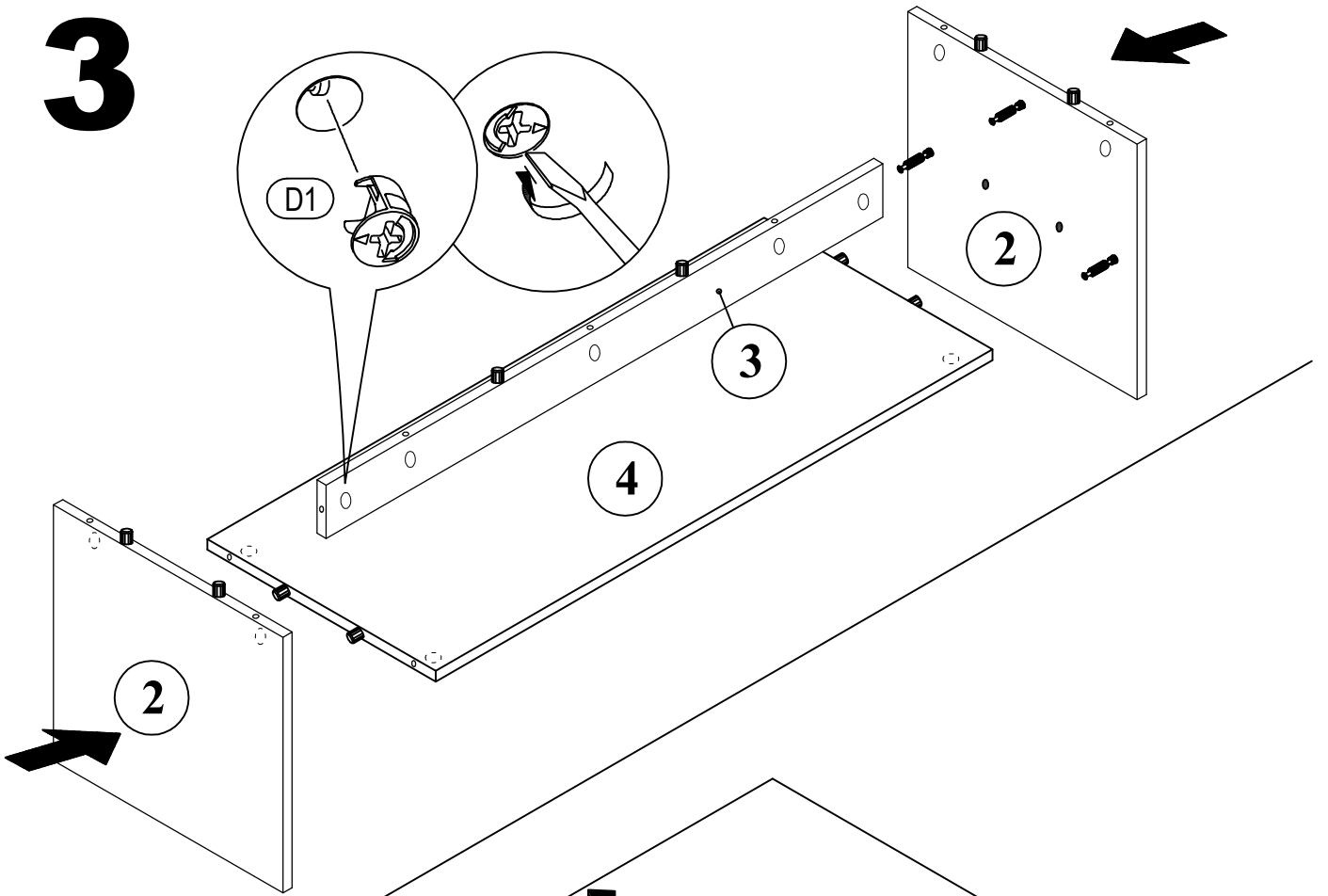


 <b>(A1)</b> 8*30mm x16	 <b>(C1)</b> 6*43mm x16	 <b>(D1)</b> 15/16 x16
-------------------------------------------------------------------------------------------------------------	-------------------------------------------------------------------------------------------------------------	--------------------------------------------------------------------------------------------------------------

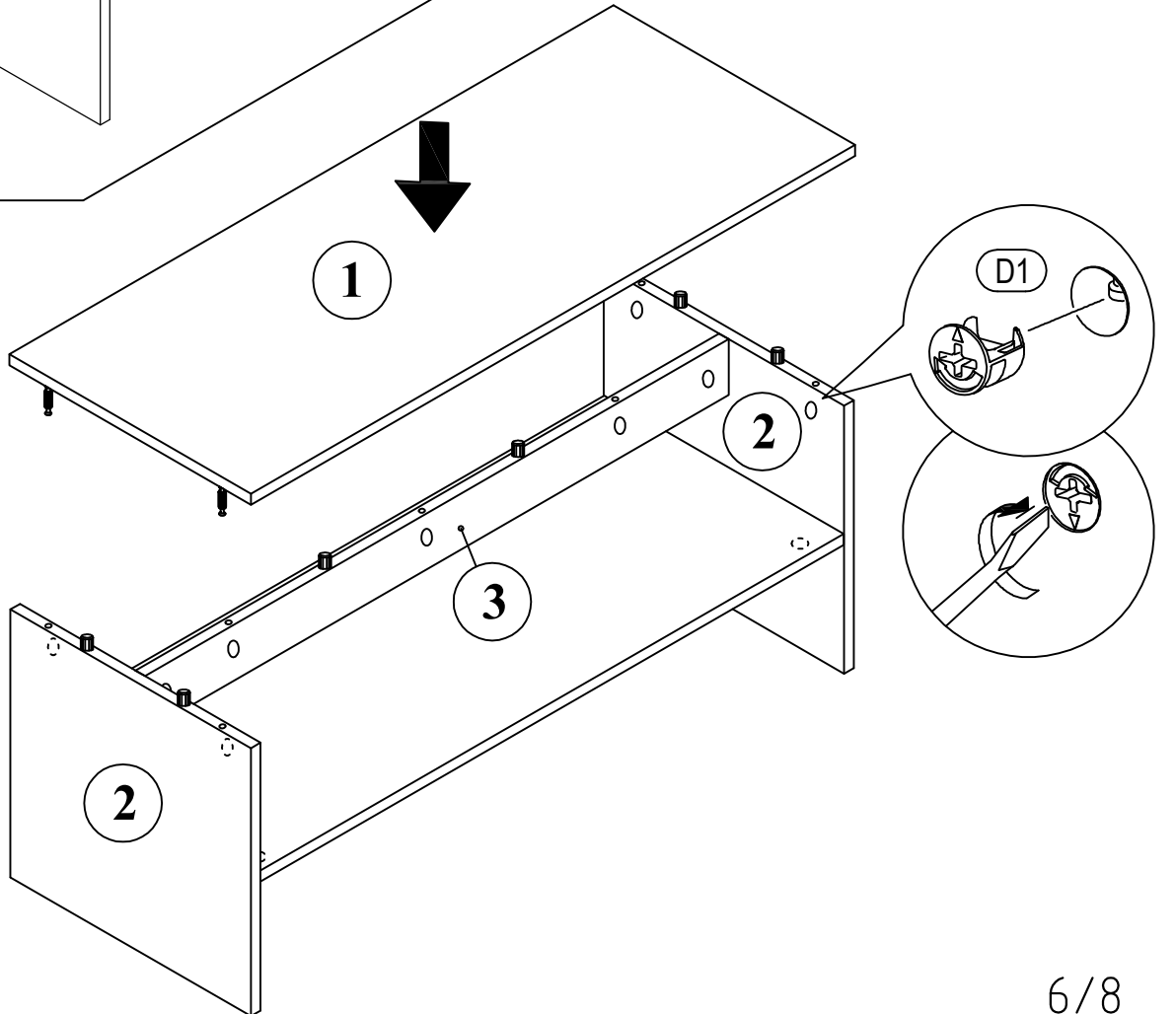
# 2



**3**



**4**



5

