

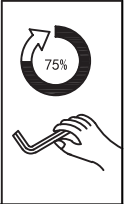
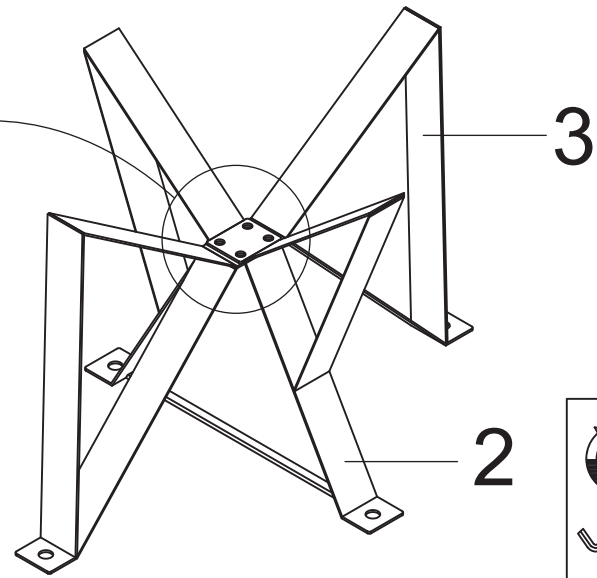
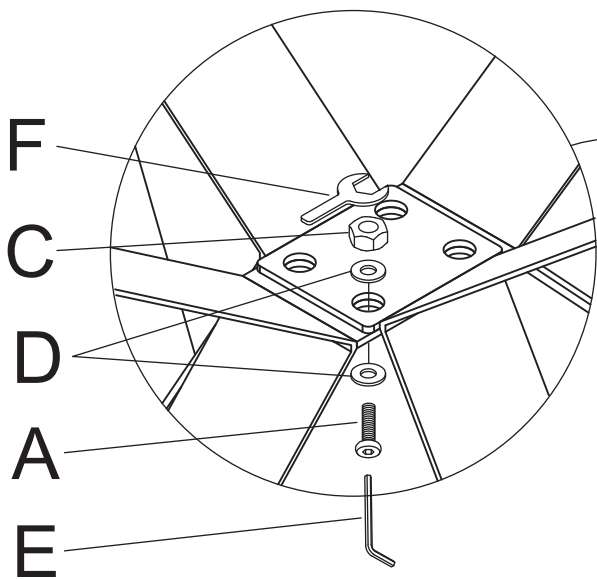
# Assembly Instructions / Navodila za montažo / Montageanleitungen

## LENK



|          |         |         |
|----------|---------|---------|
| 1*1<br>  | 2*1<br> | 3*2<br> |
| A*4<br>  | B*4<br> | C*4<br> |
| D*12<br> | E*1<br> | F*1<br> |

1



2

