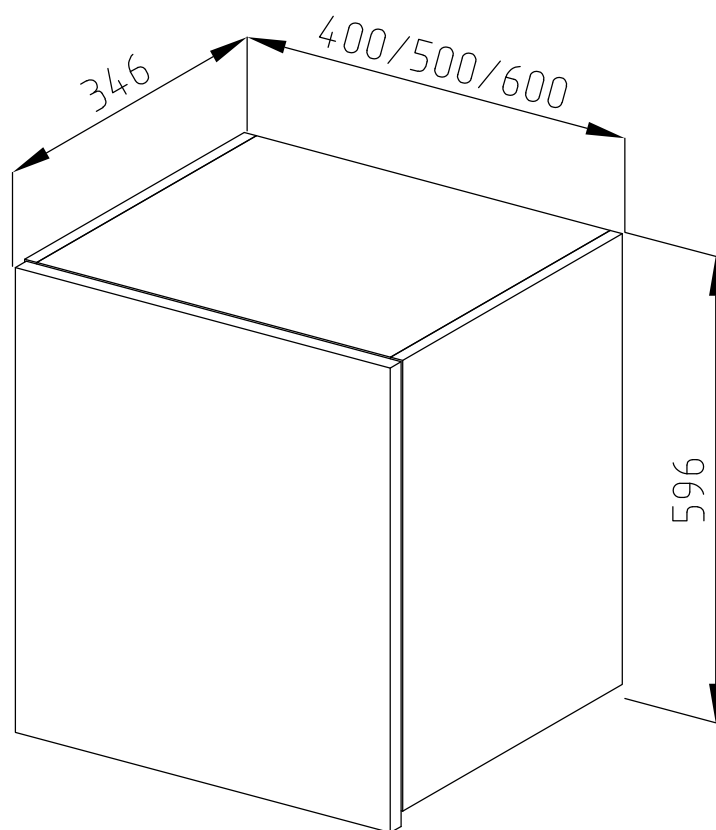
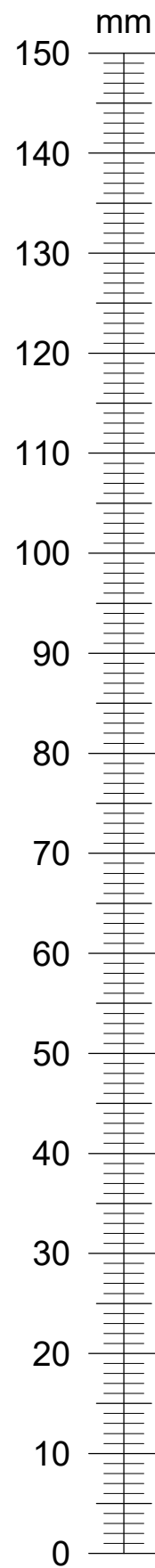
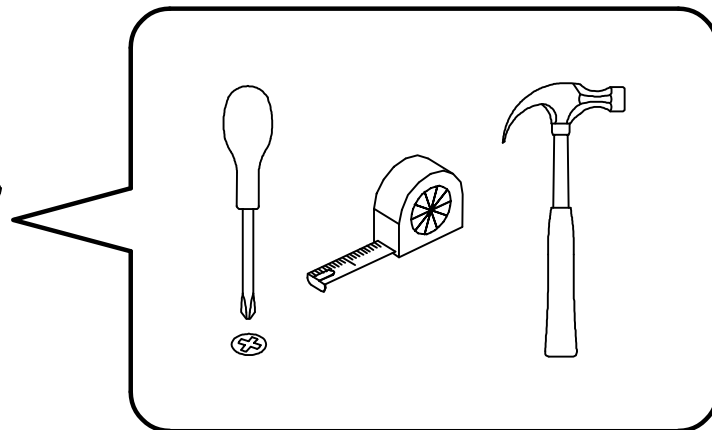
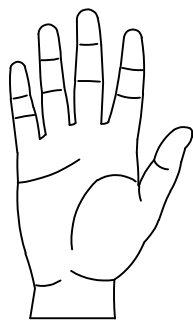


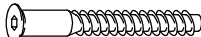
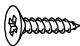



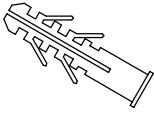
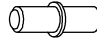

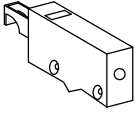
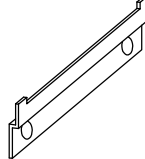
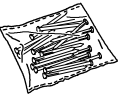
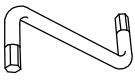



TEMPORA

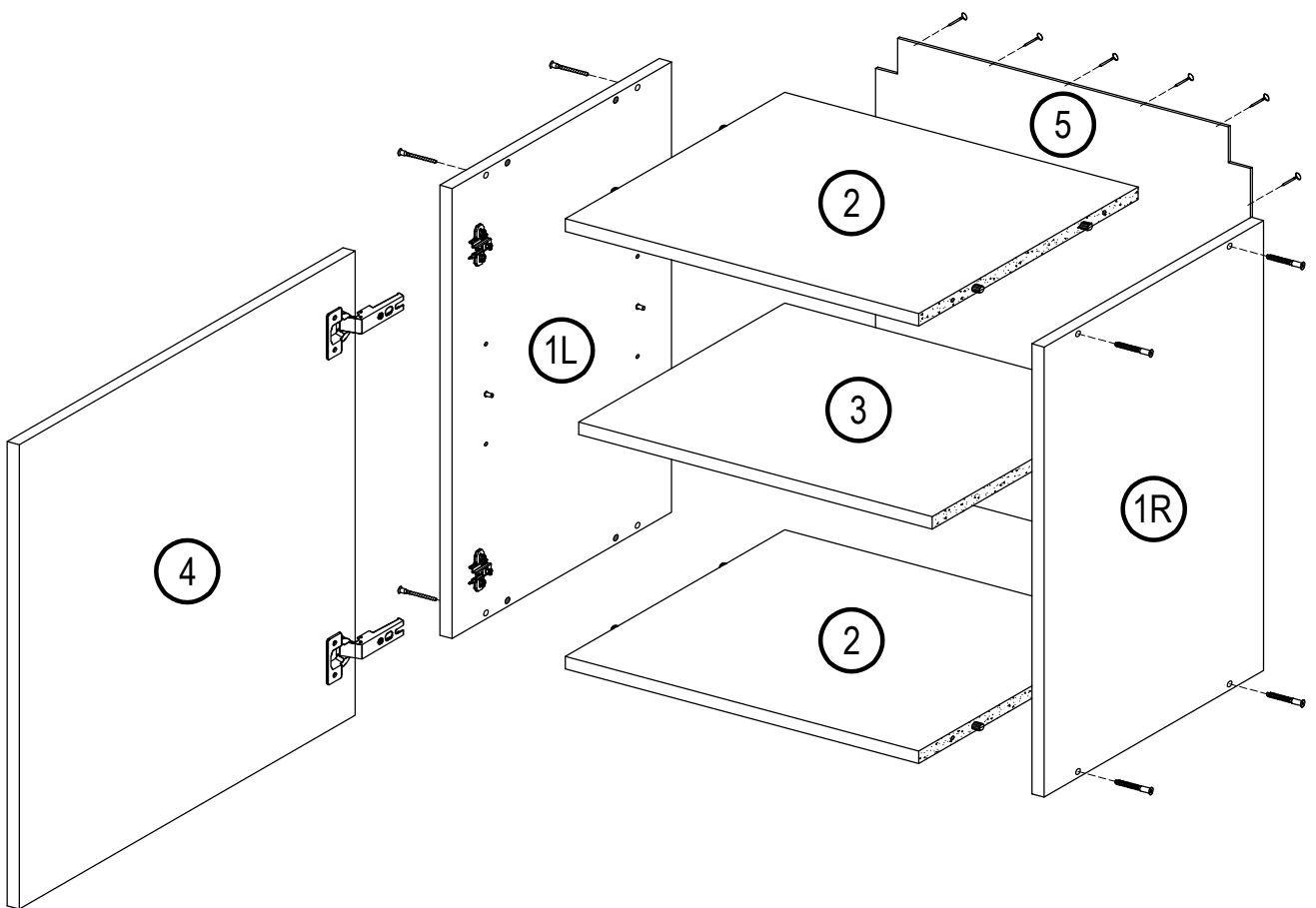
1/9, 2/9, 3/9 N



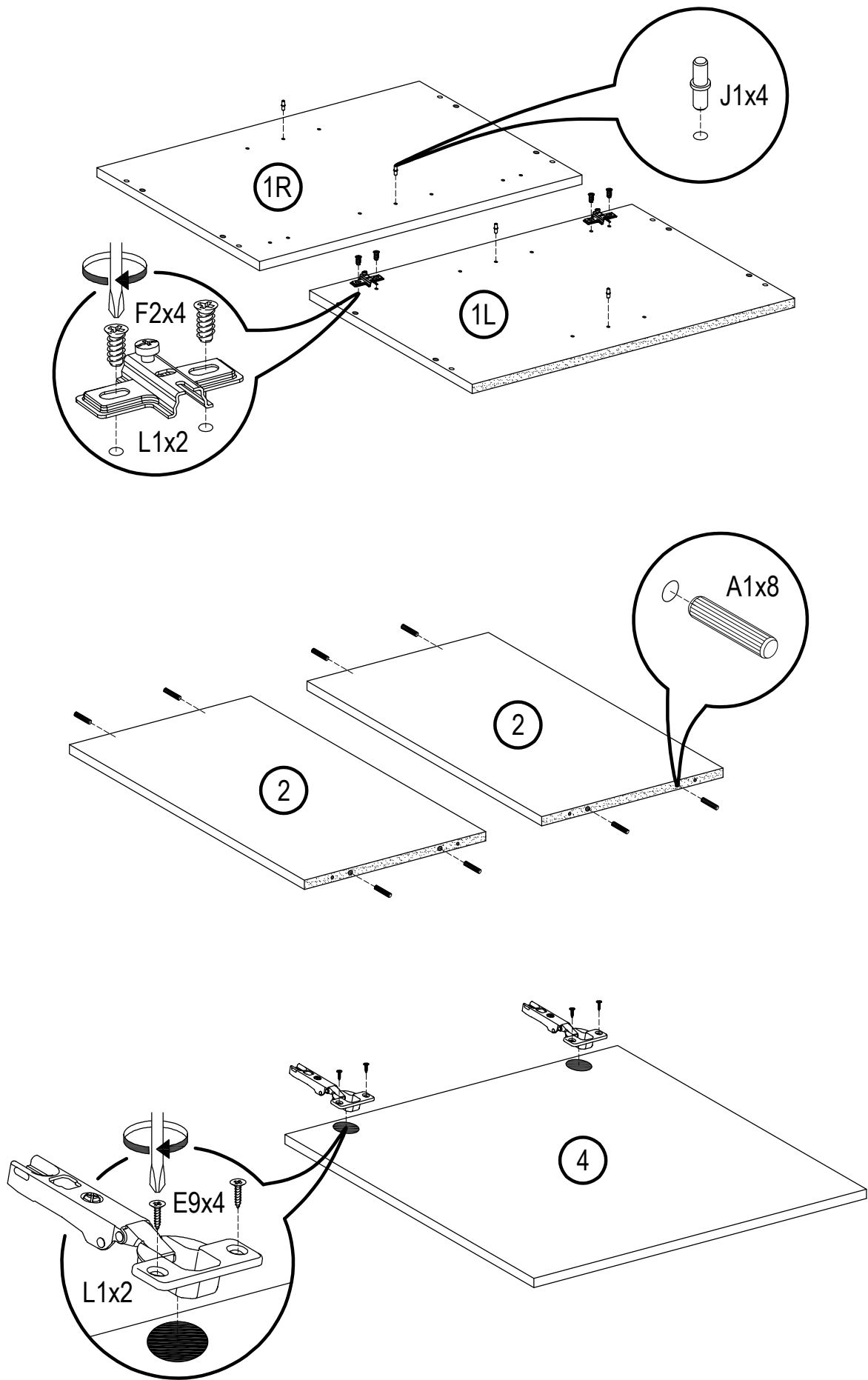


 A1 8*30mm x8	 B x8	 B1 6,3*50mm x8
 E9 4*16mm x4	 E10 4*30mm x6	 E20 6*60mm x4
 F2 6,3*13mm x4	 H6 10*50mm x4	 J1 5*16mm x4
 L1 x2	 N1 x2	 O4 x2
 R3 1.4*25mm 0.01kg	 R4 x1	 U3 x2

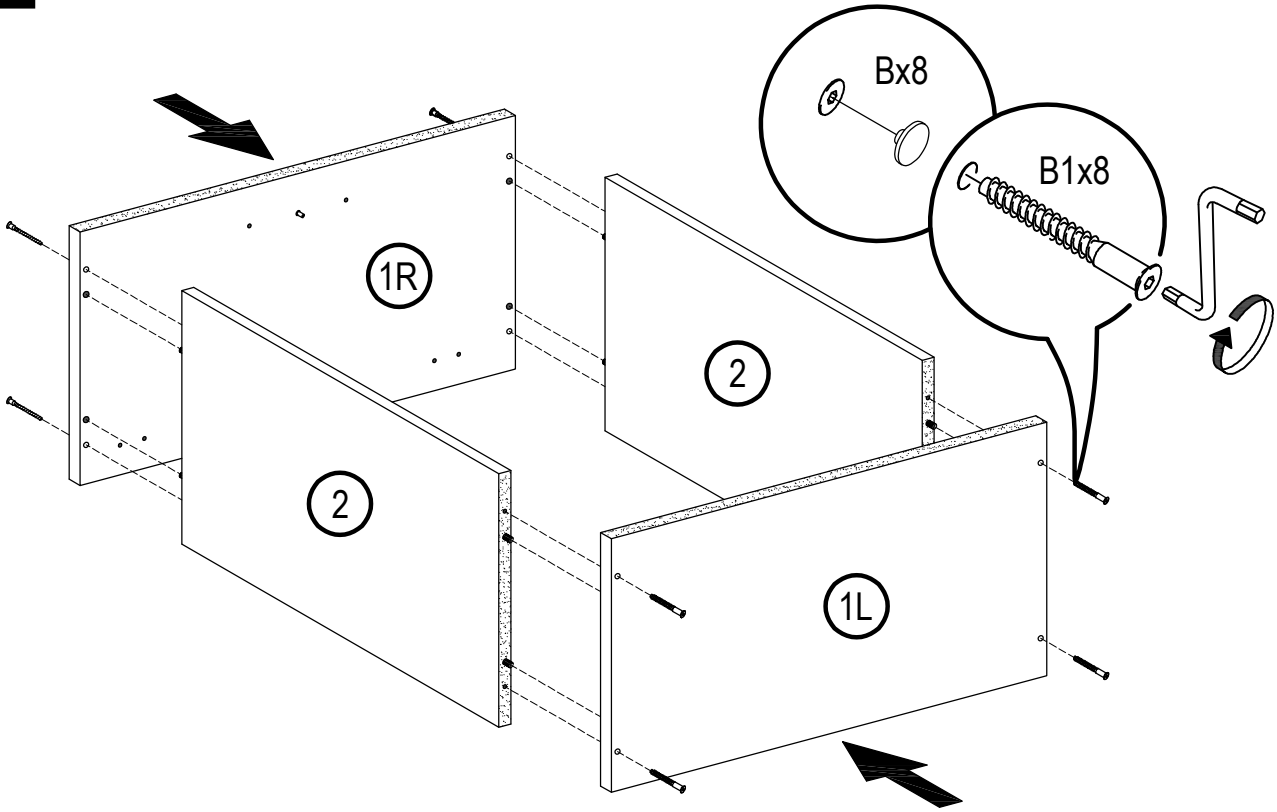
N°	a*b			x
	40	50	60	
1,2,3-1L	576x324	576x324	576x324	1
1,2,3-1R	576x324	576x324	576x324	1
1,2,3-2	367x324	467x324	567x324	2
1,2,3-3	367x304	467x304	567x304	1
1,2,3-4	396x594	496x594	596x594	1
1,2,3-5	396x572	496x572	596x572	1



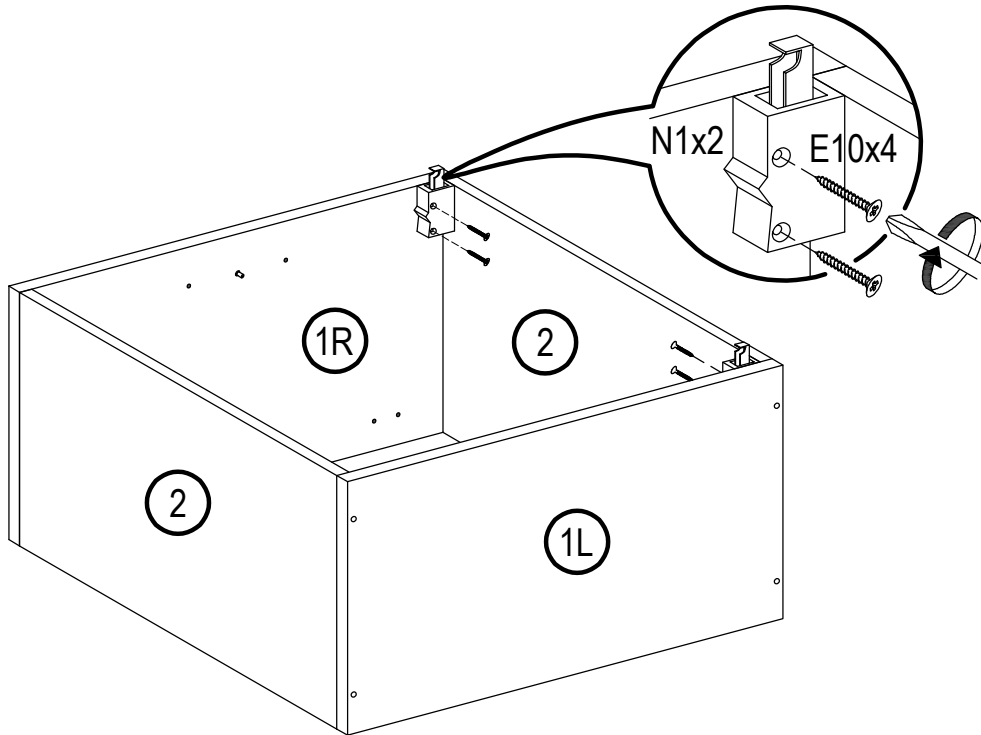
1



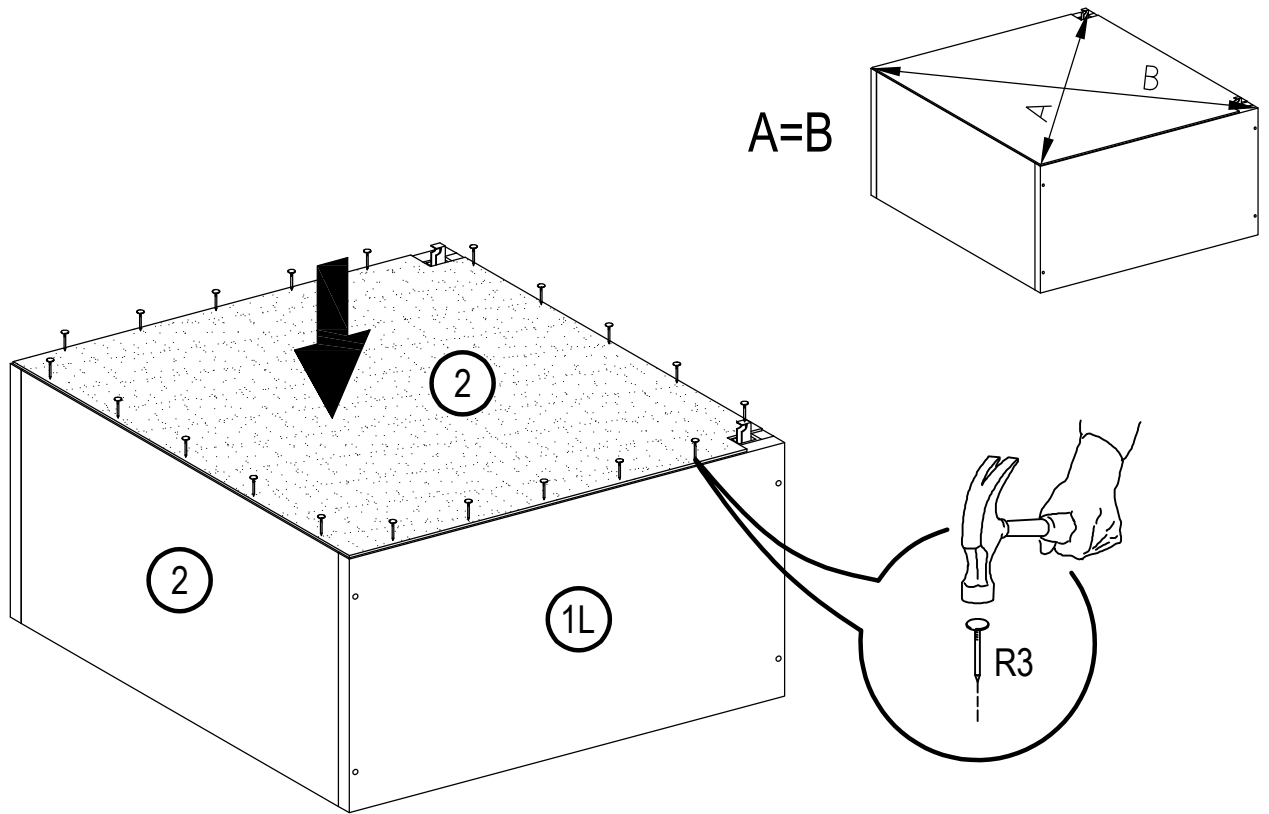
2



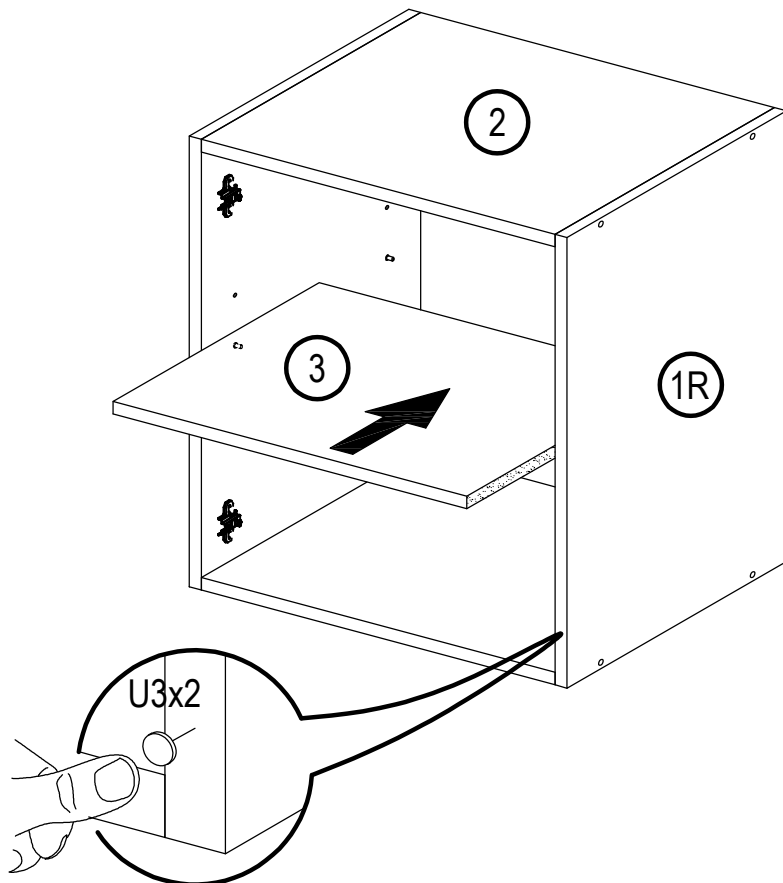
3



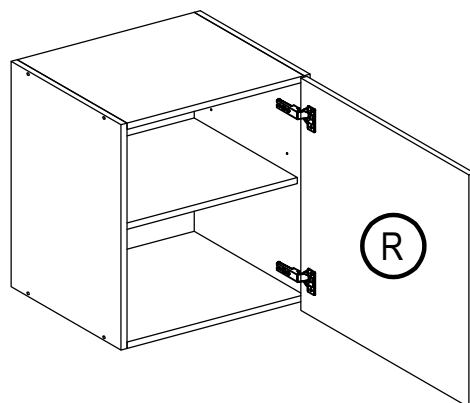
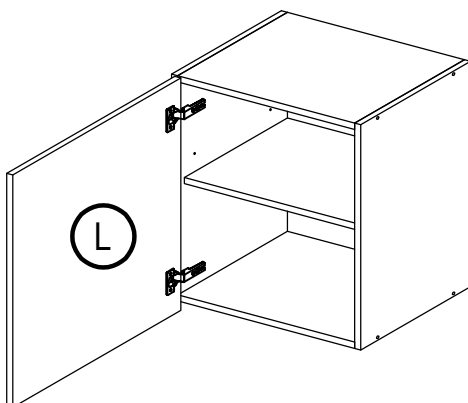
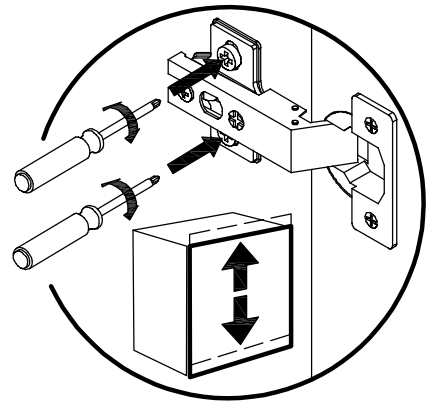
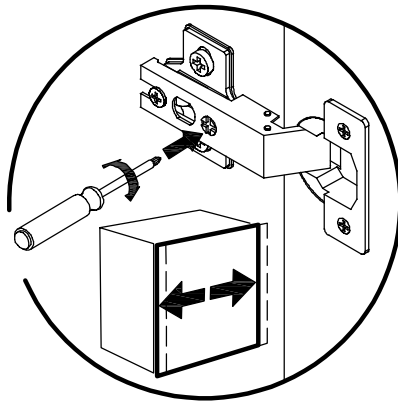
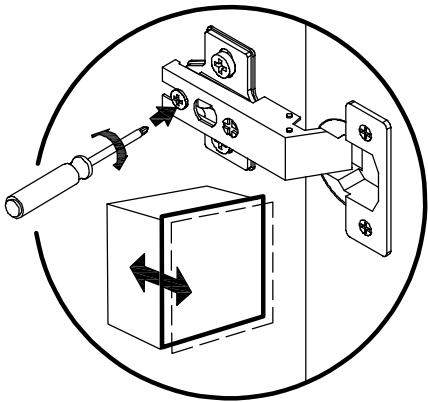
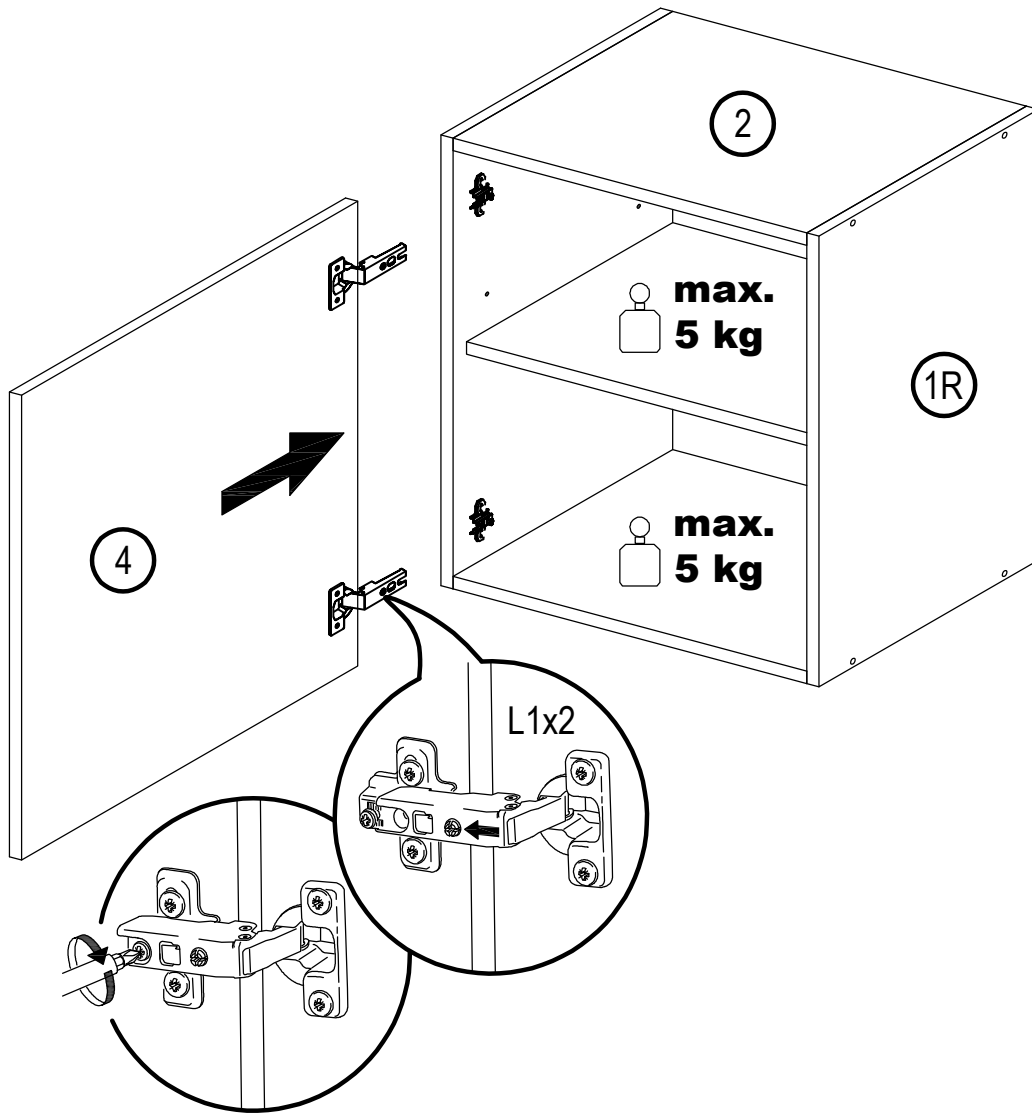
4

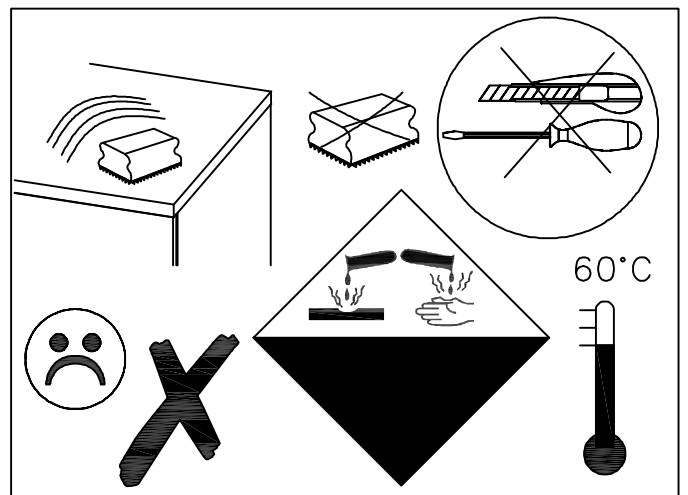
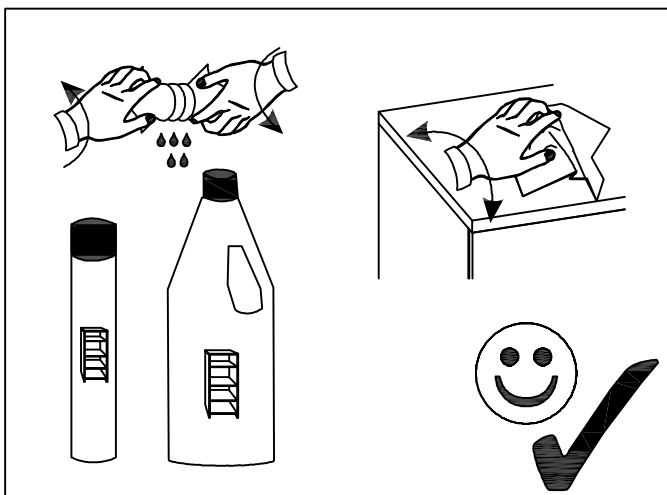
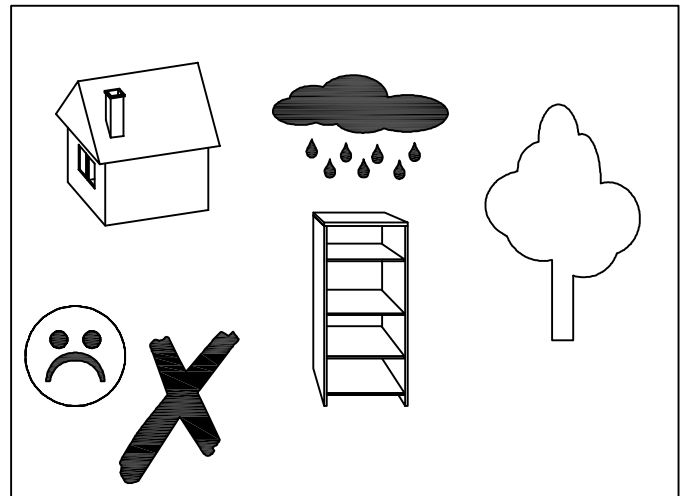
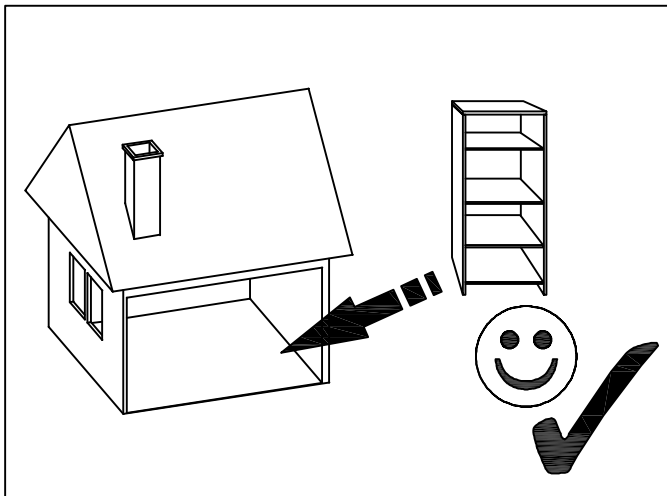
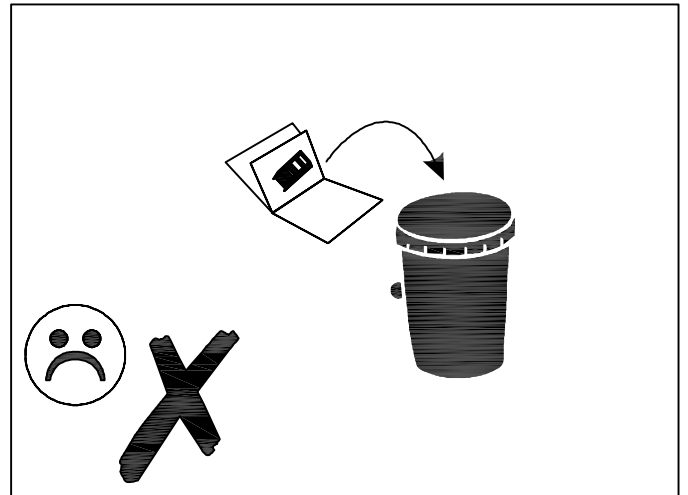
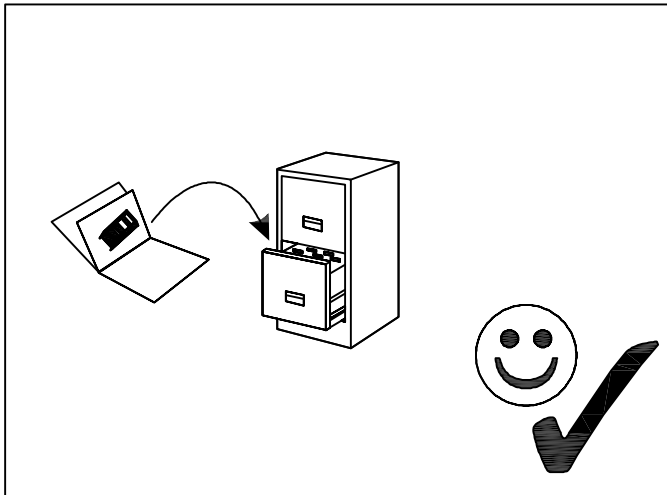
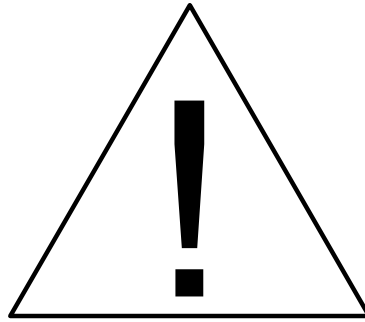


5

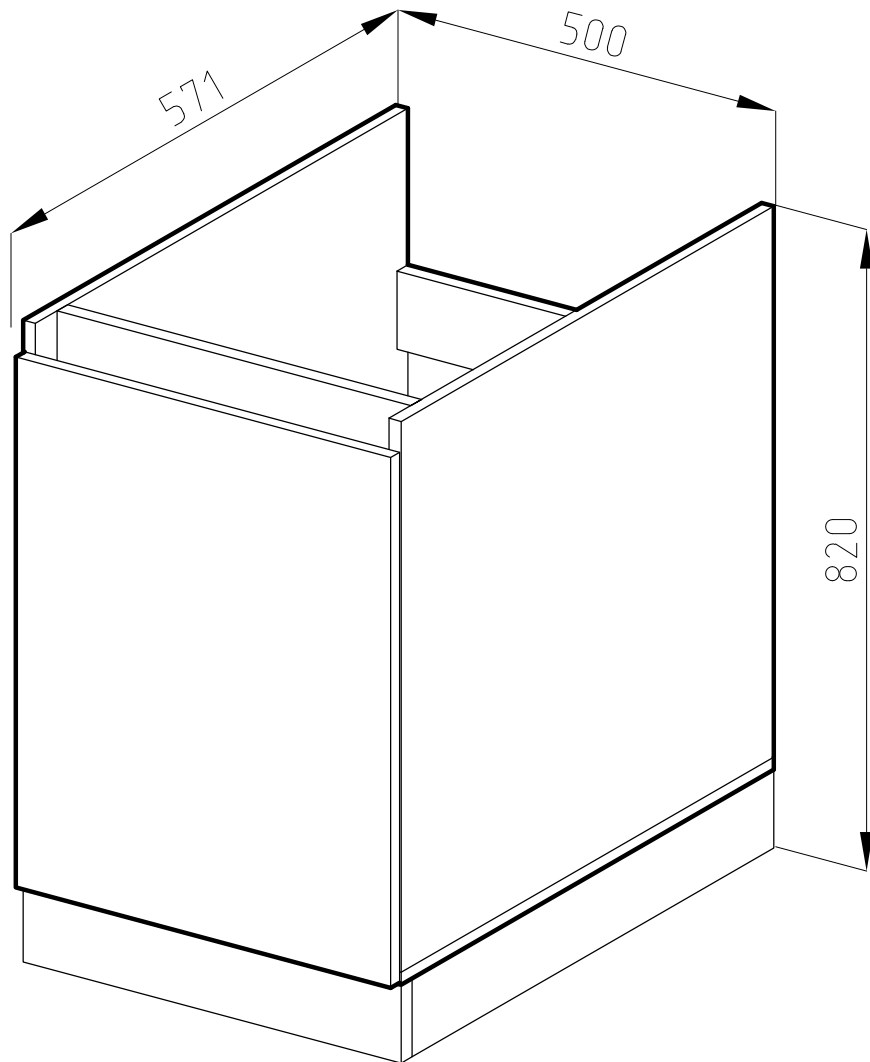


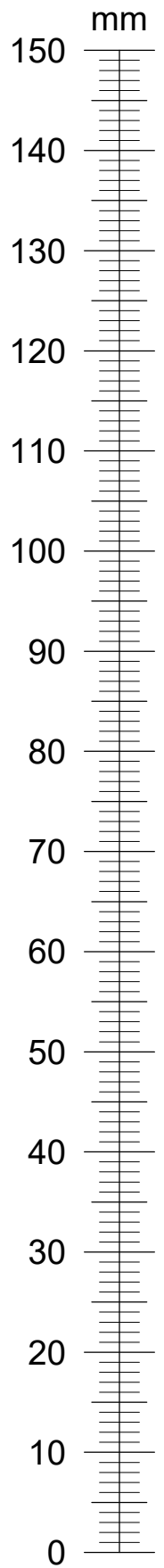
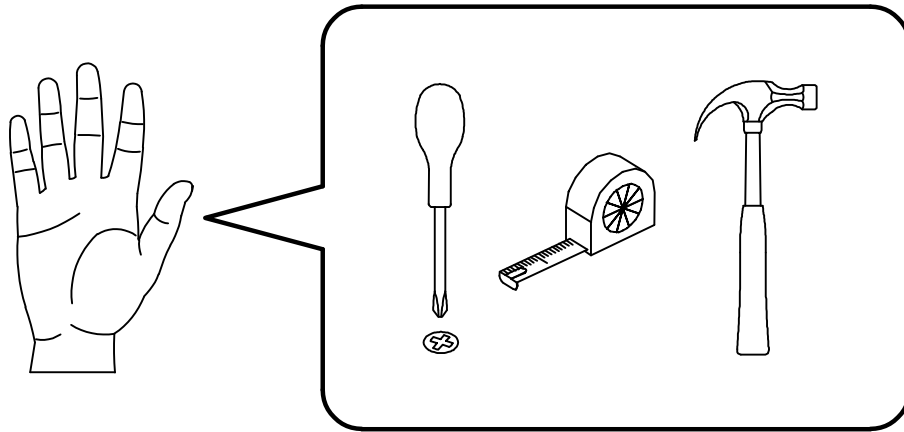
6

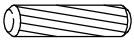


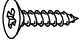


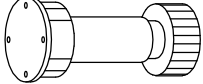
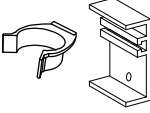
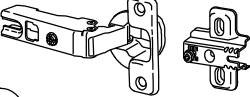
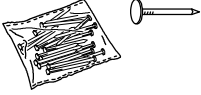
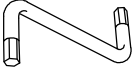





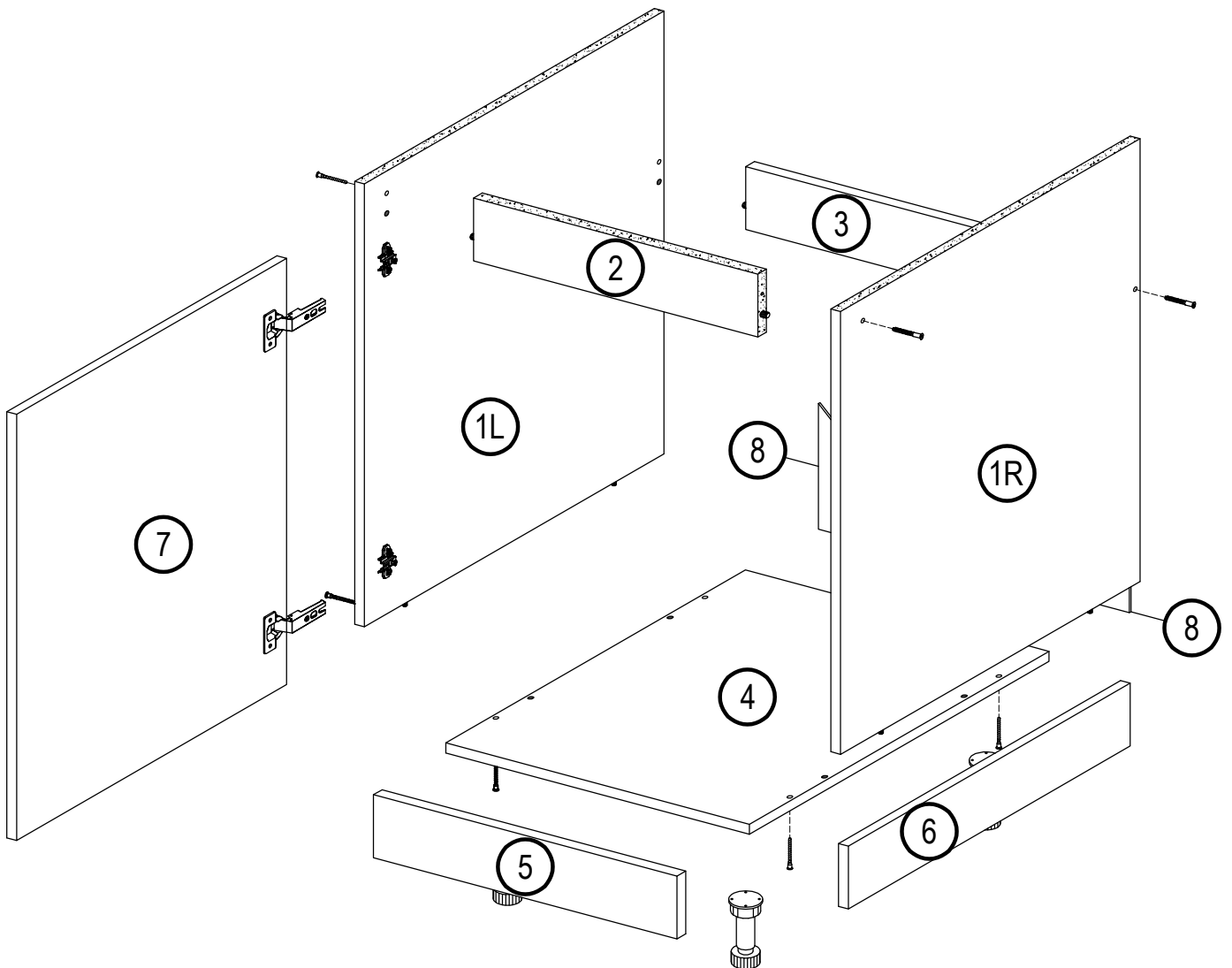
4/9 N



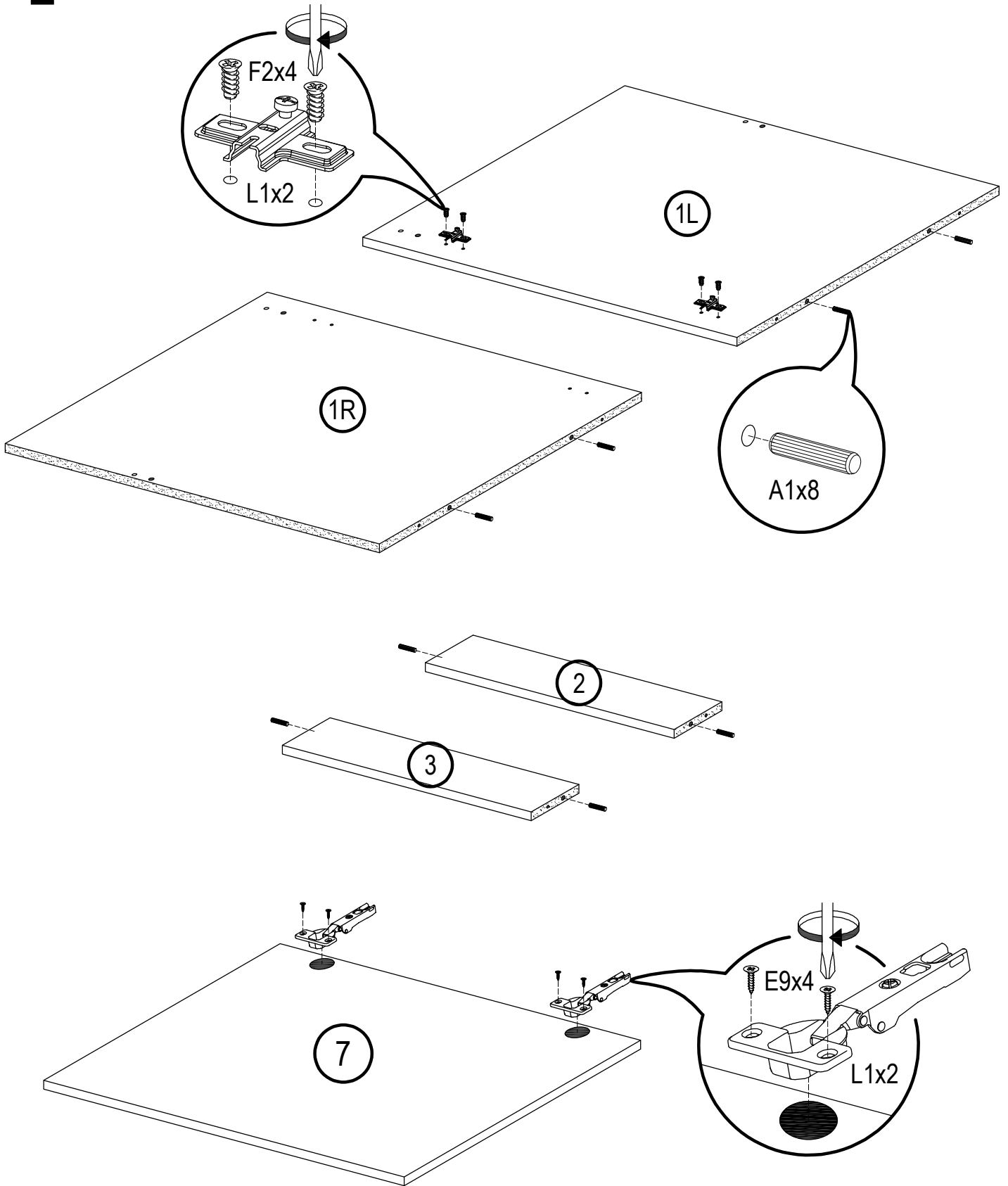


 A1 8*30mm x8	 B x8
 B1 6,3*50mm x8	 E9 4*16mm x28
 E10 4*30mm x6	 F2 6,3*13mm x4
 K2 x4	 K3 x4
 L1 x2	 R3 1.4*25mm 0.01kg
 R4 x1	 U3 x2

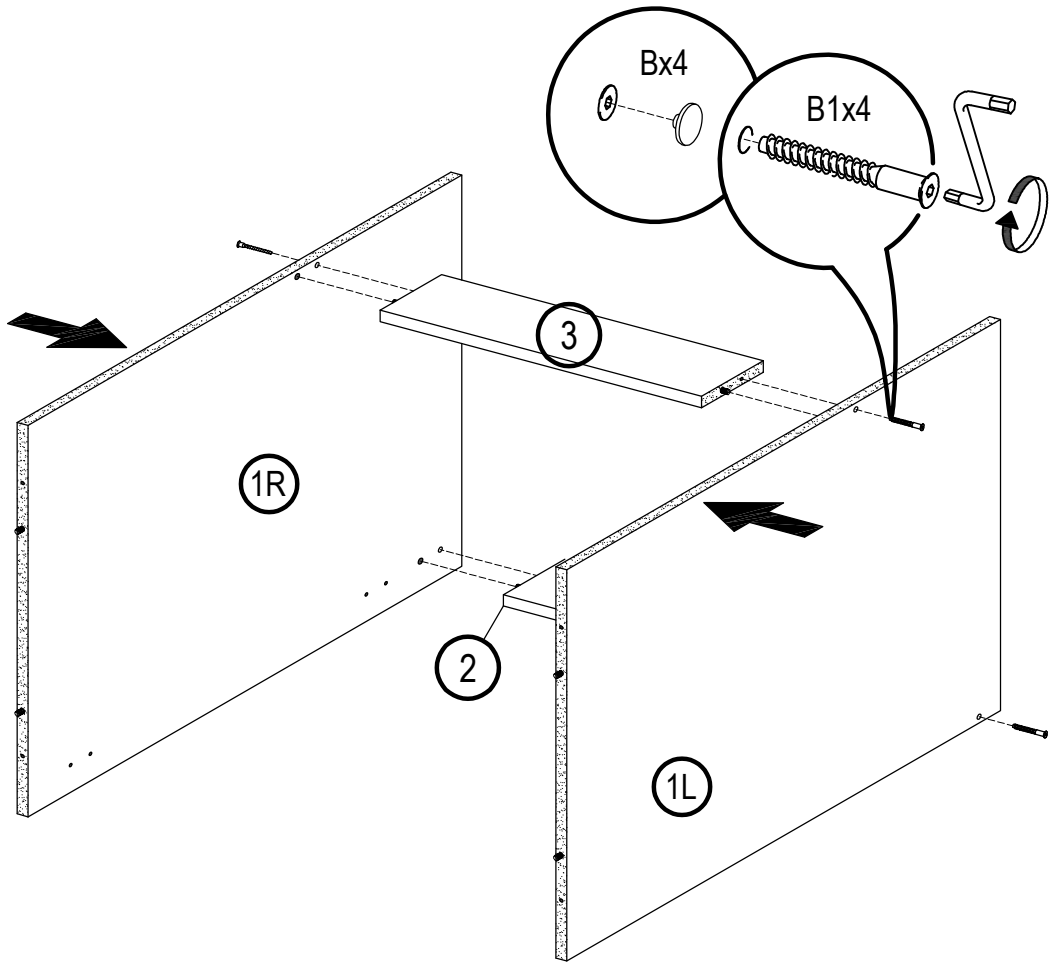
N°	a * b	X
4-1L	704x550	1
4-1R	704x550	1
4-2	467x100	1
4-3	467x100	1
4-4	500x550	1
4-5	500x96	1
4-6	517x96	1
4-7	496x678	1
4-8	200x200	2



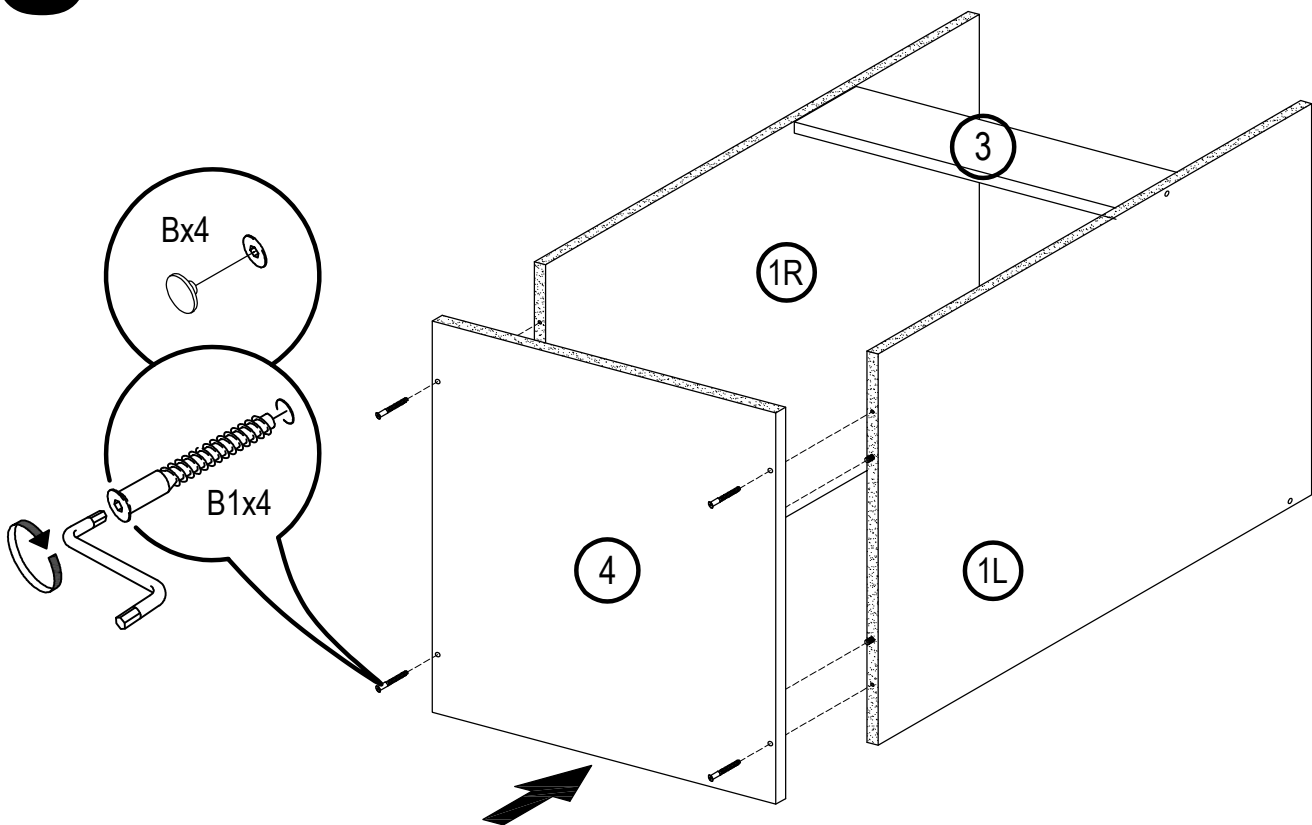
1



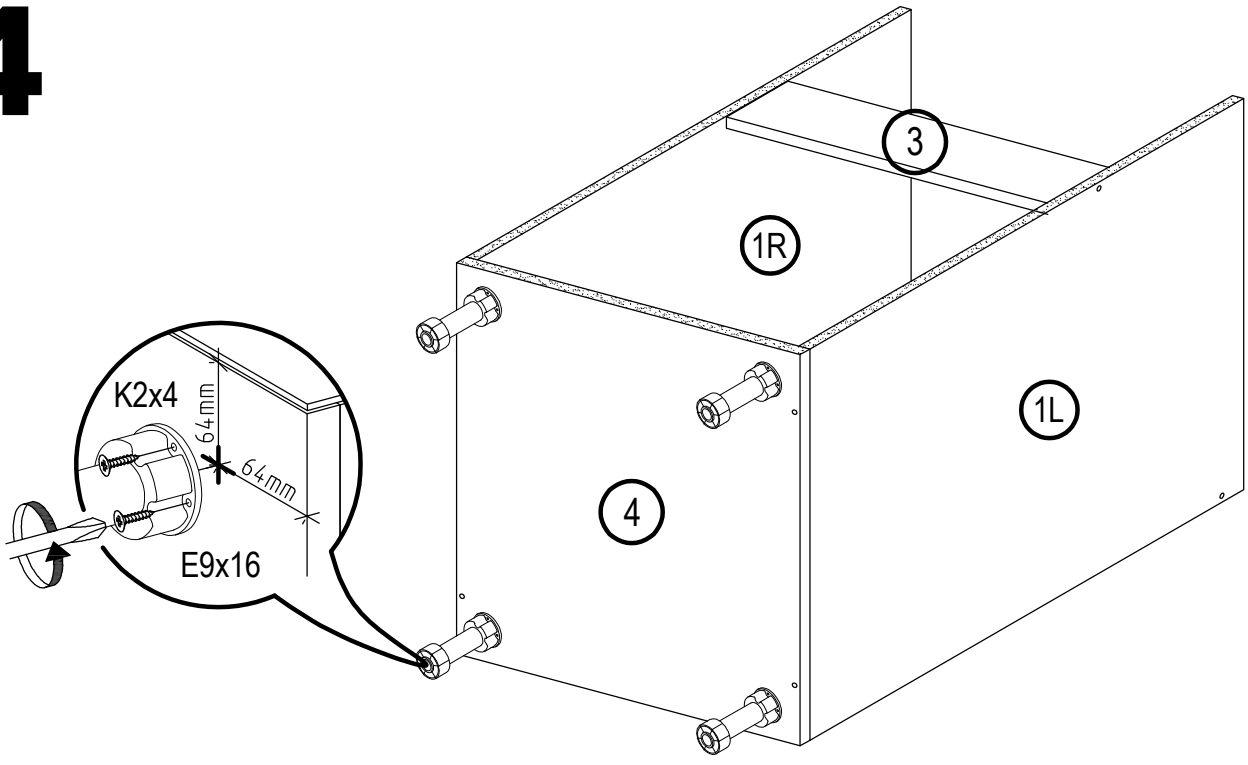
2



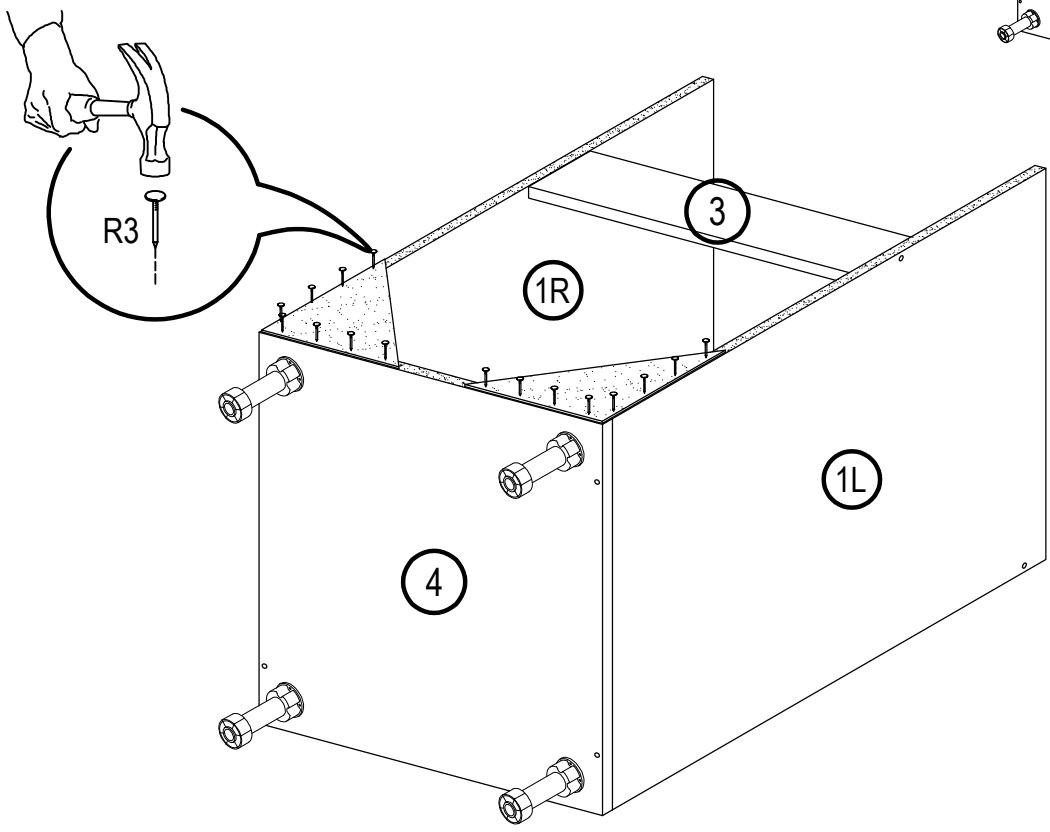
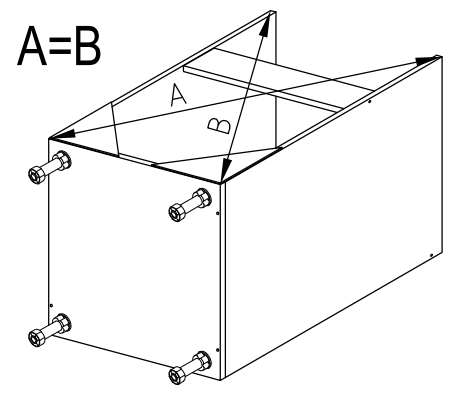
3

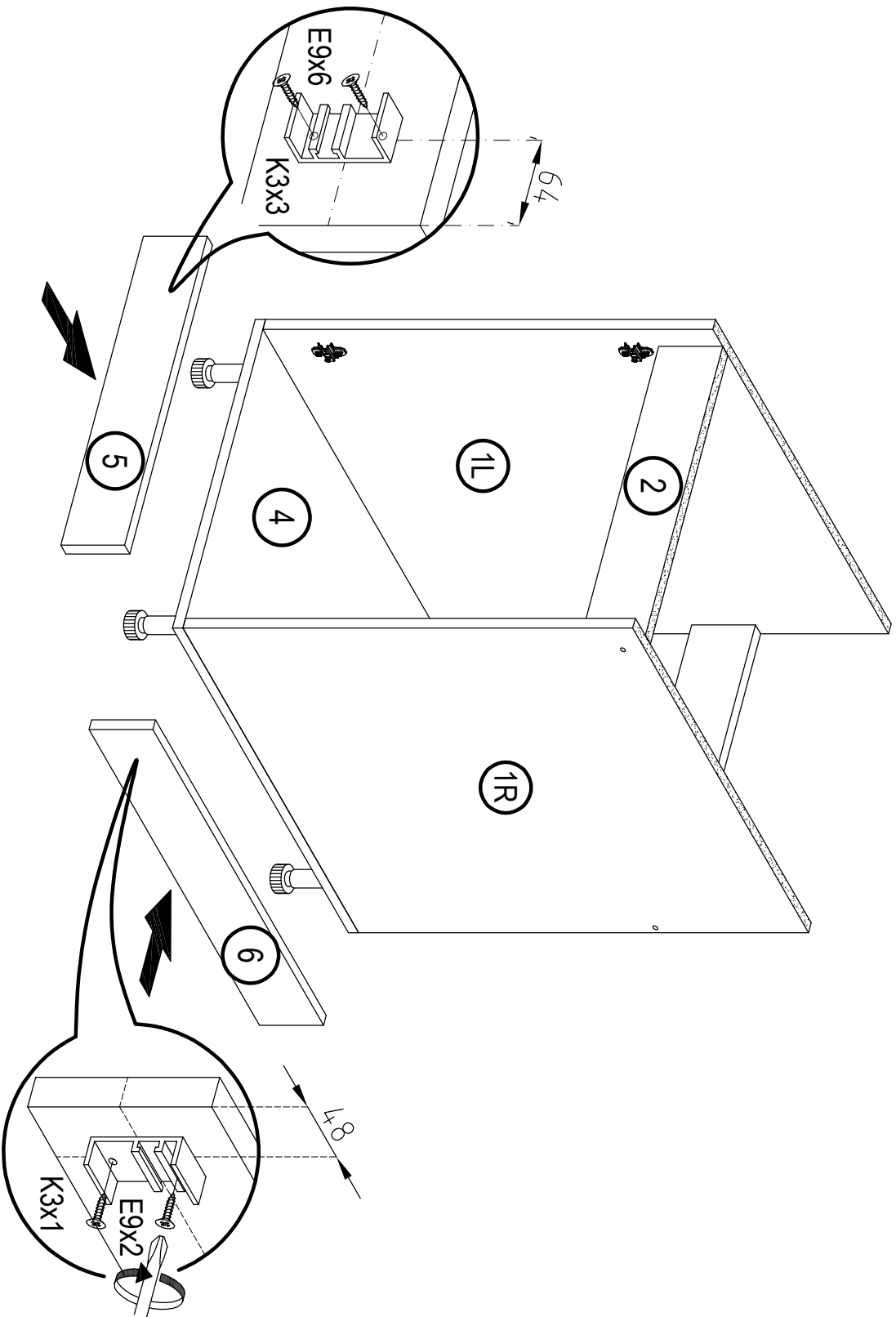


4

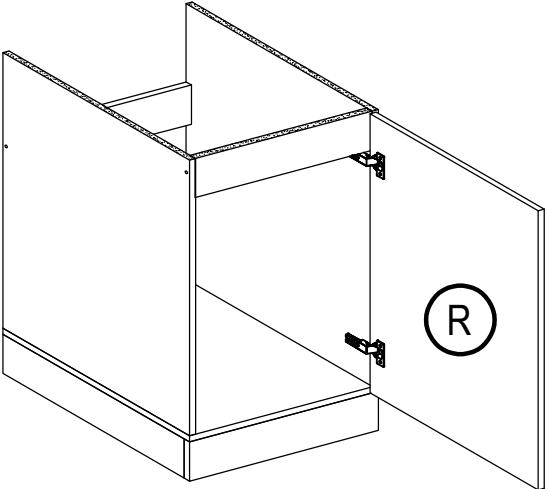
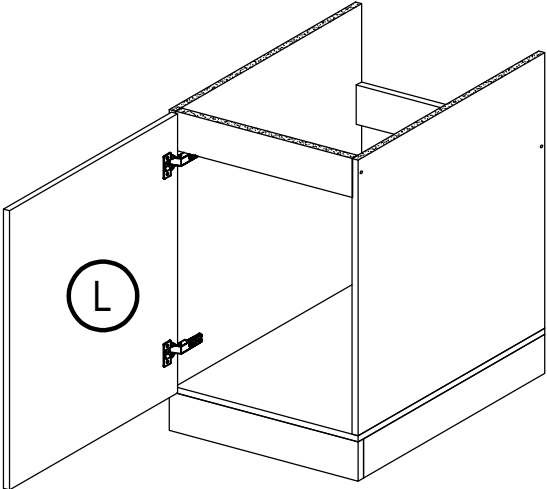
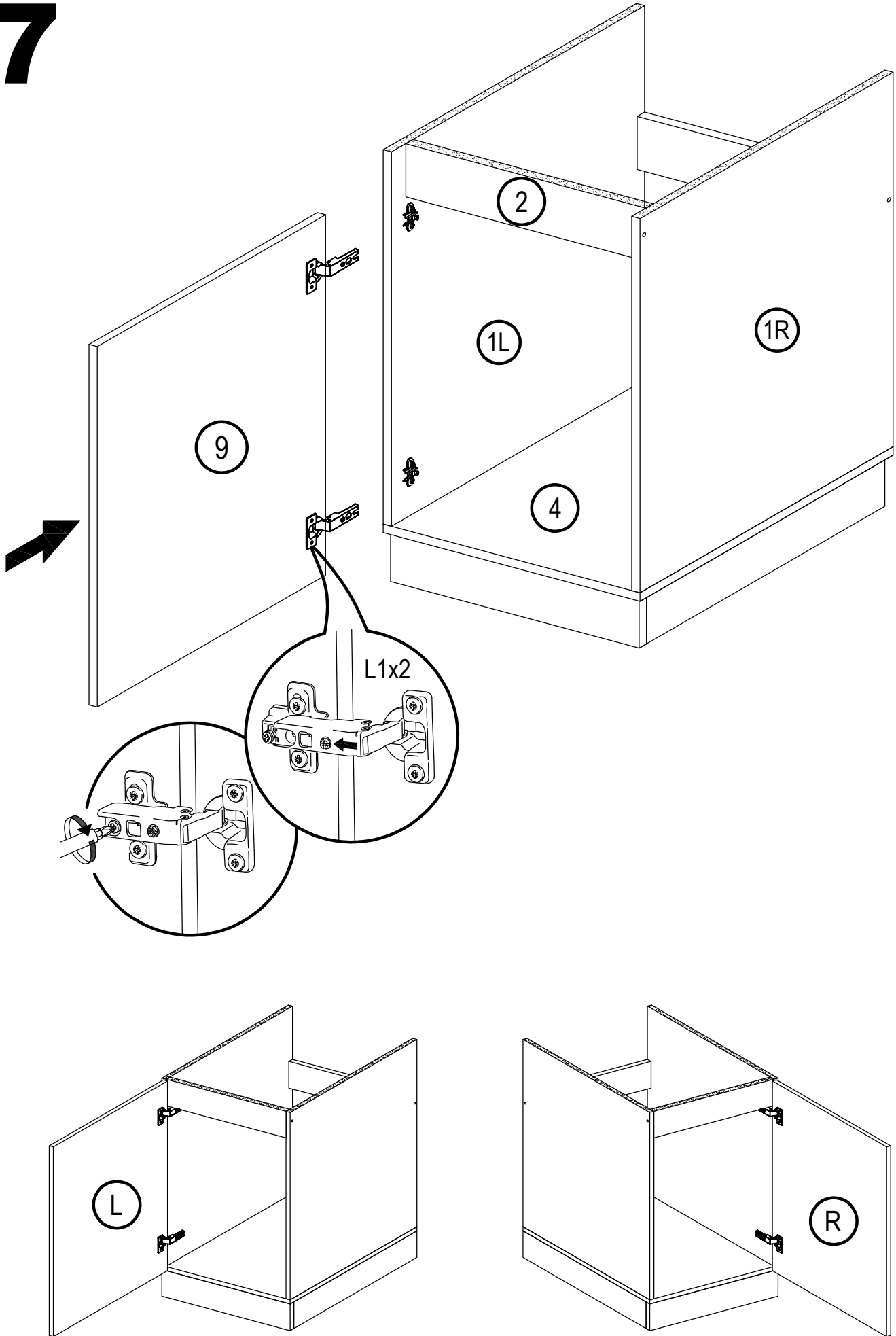


5

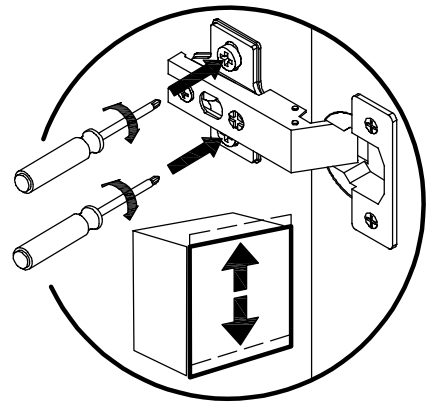
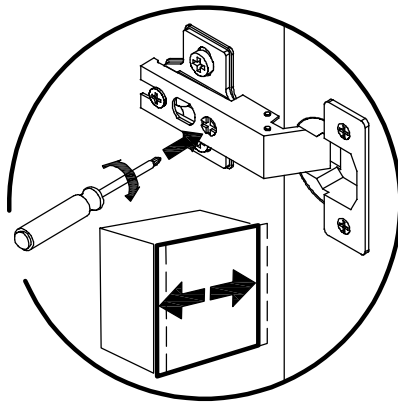
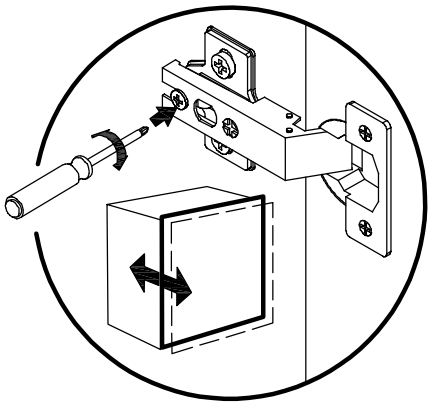
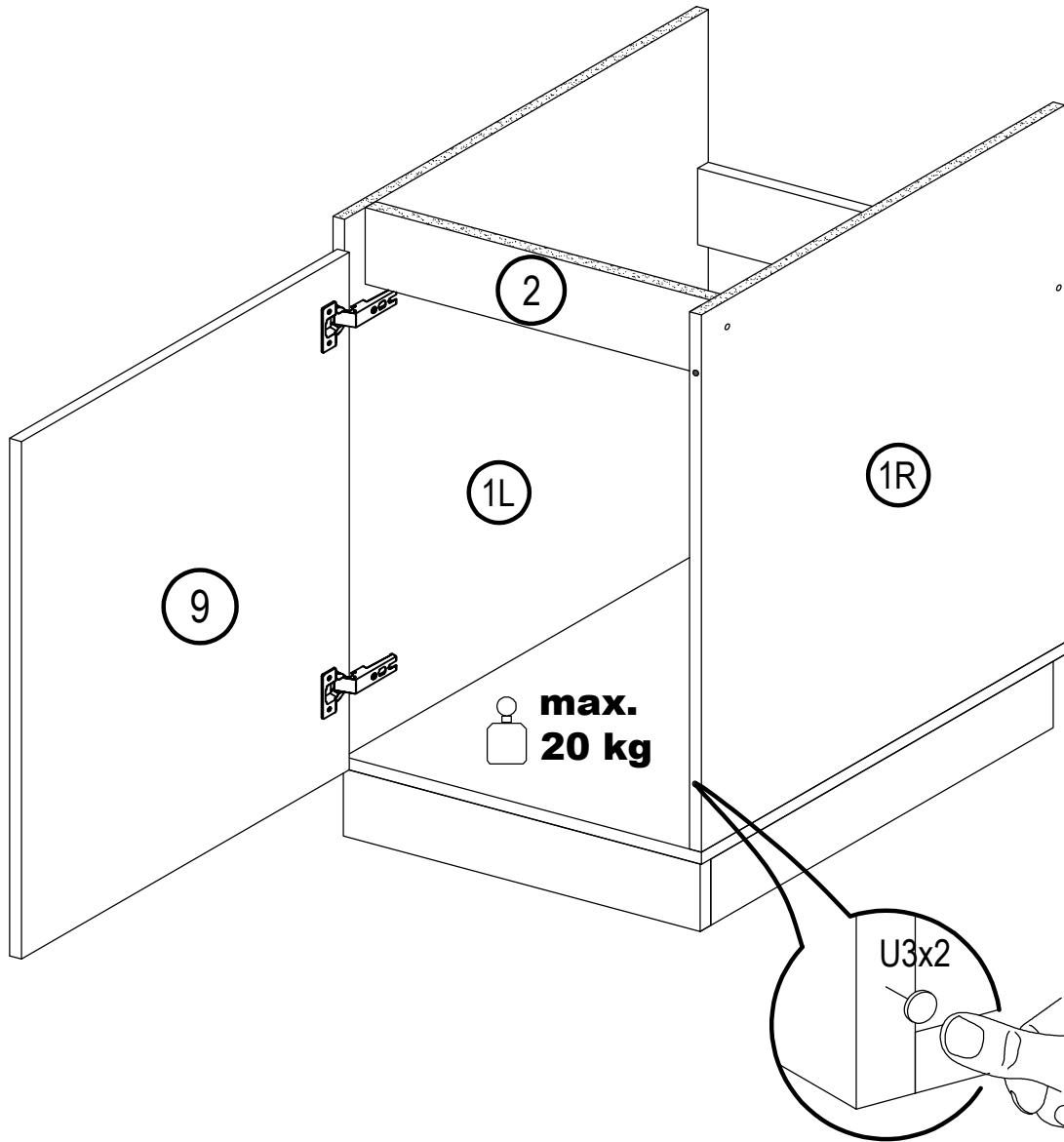


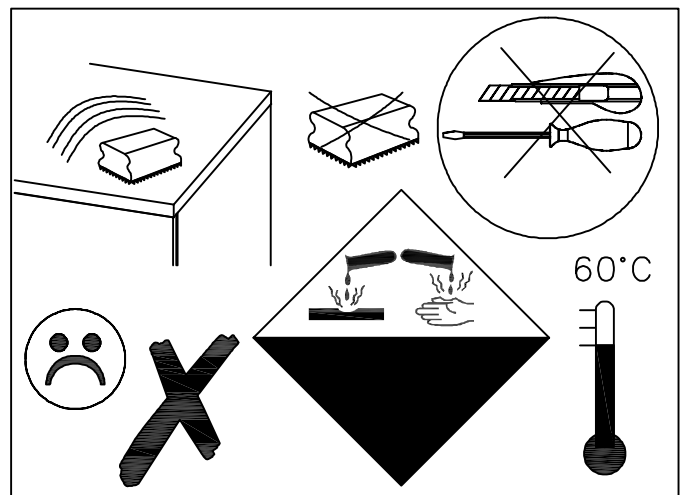
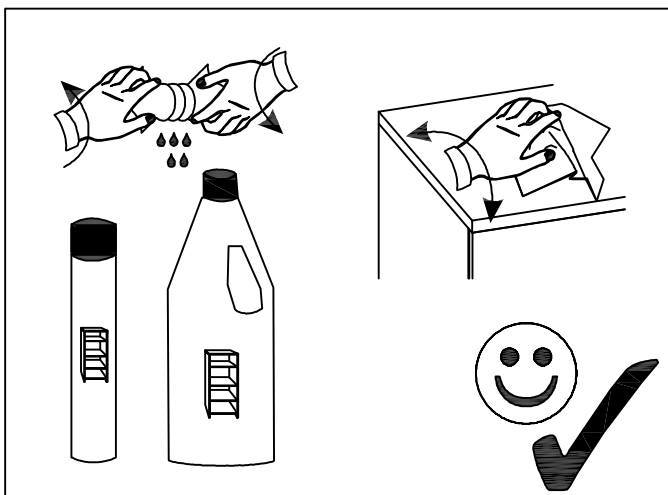
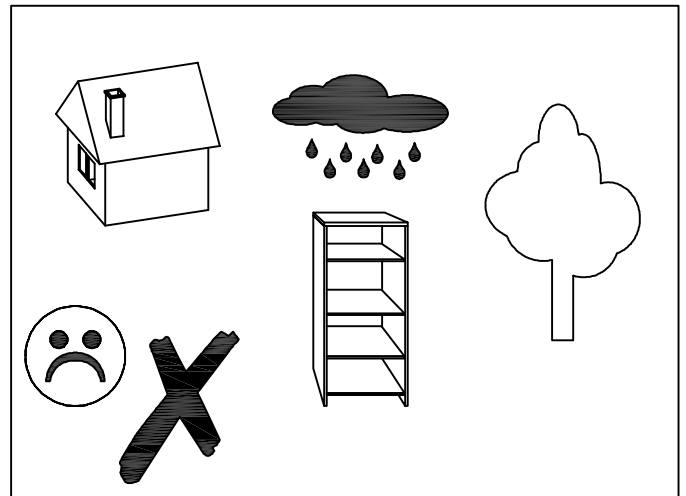
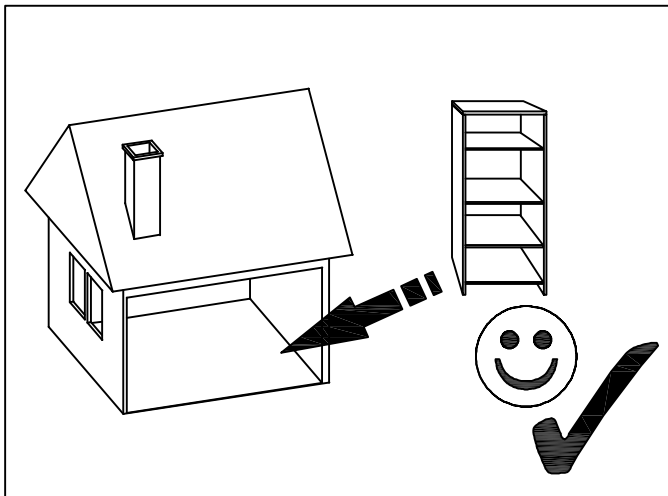
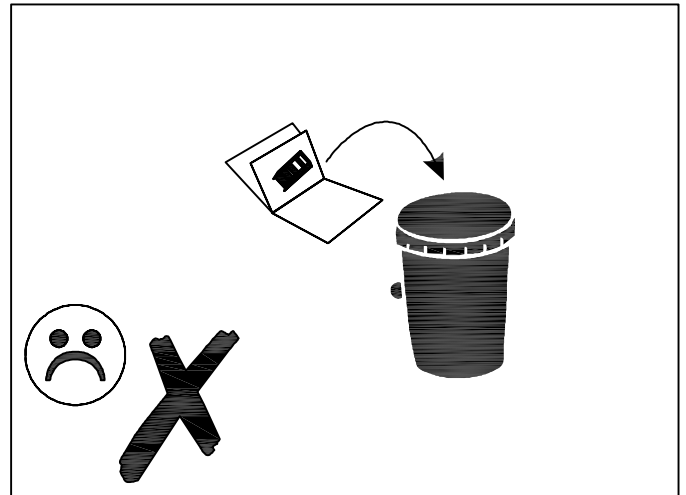
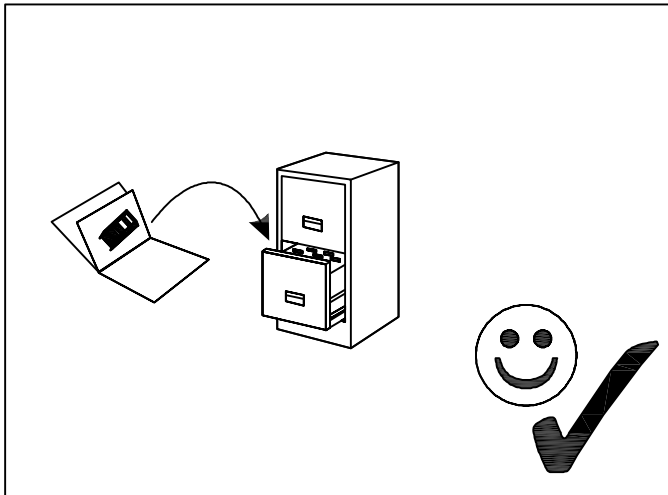
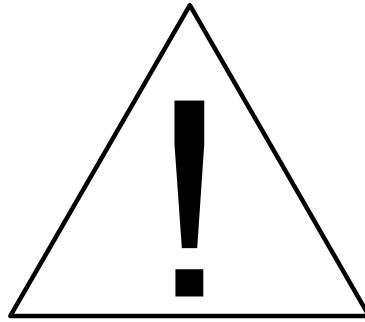


7

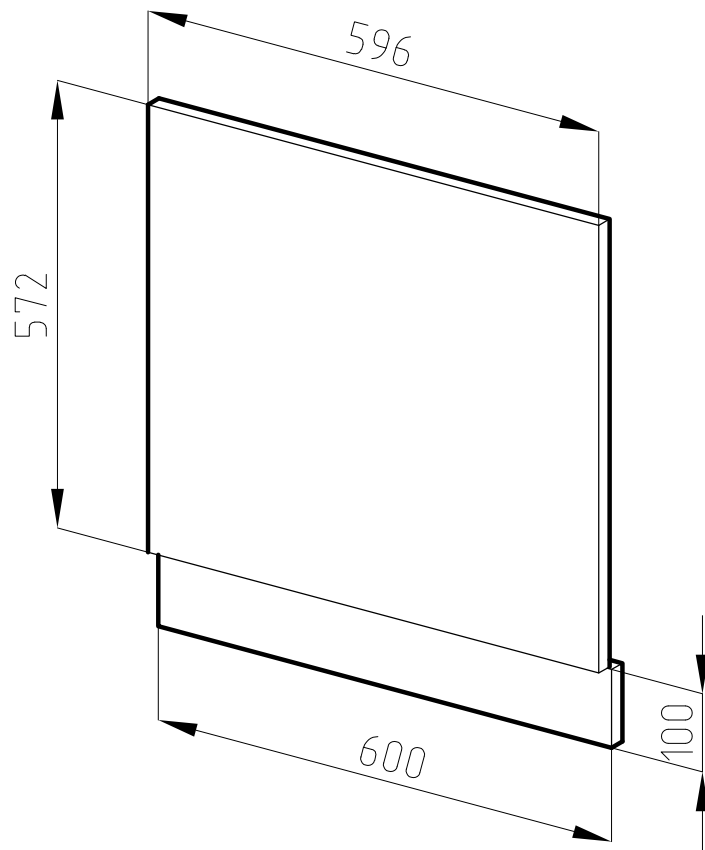



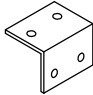
8



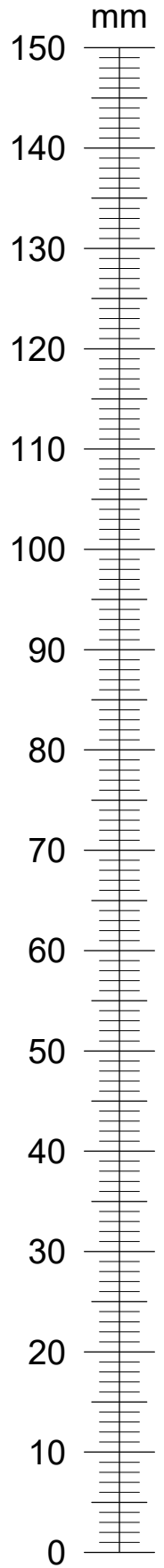
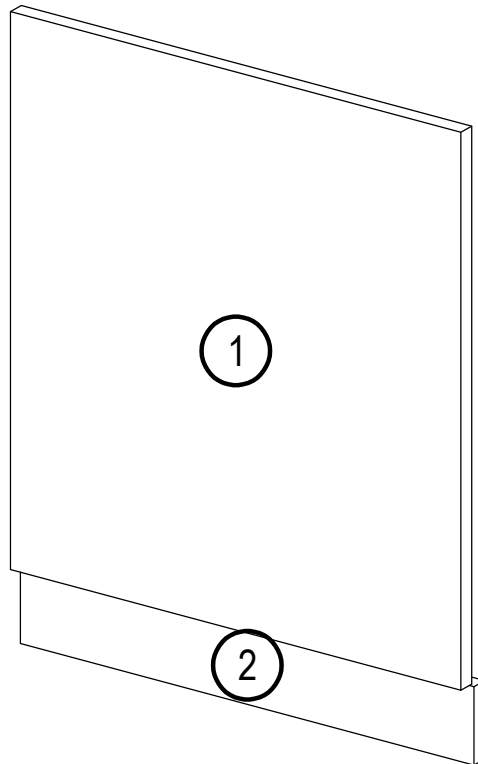


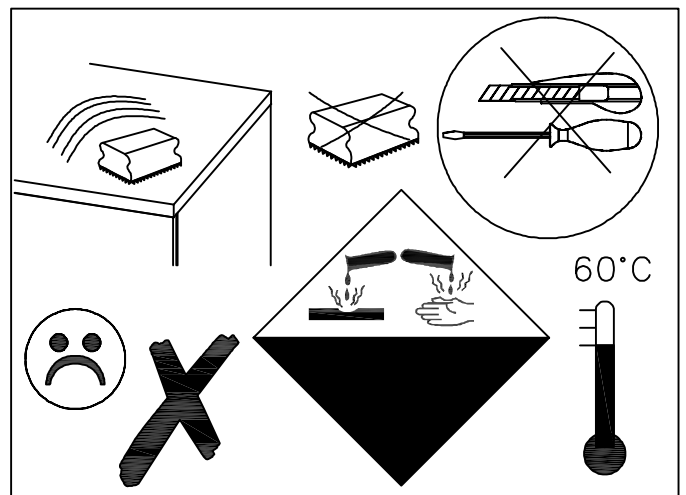
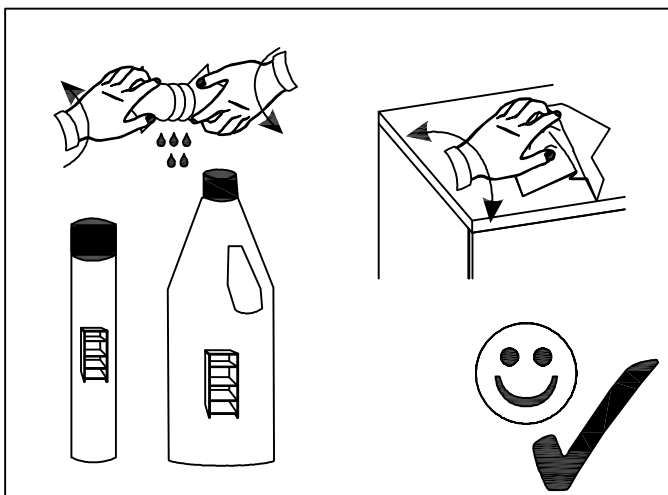
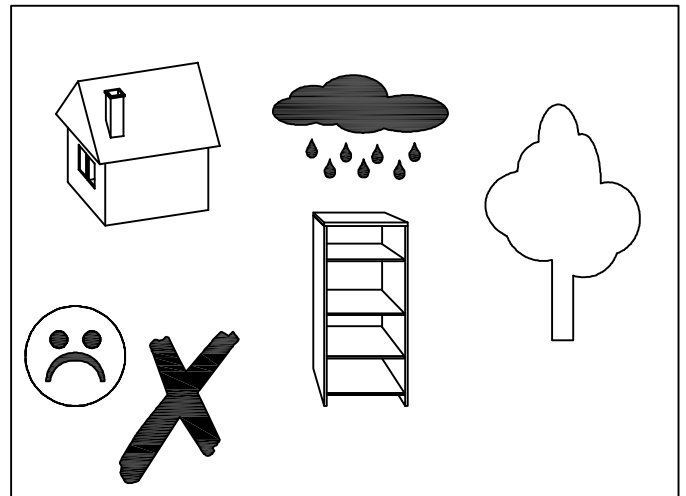
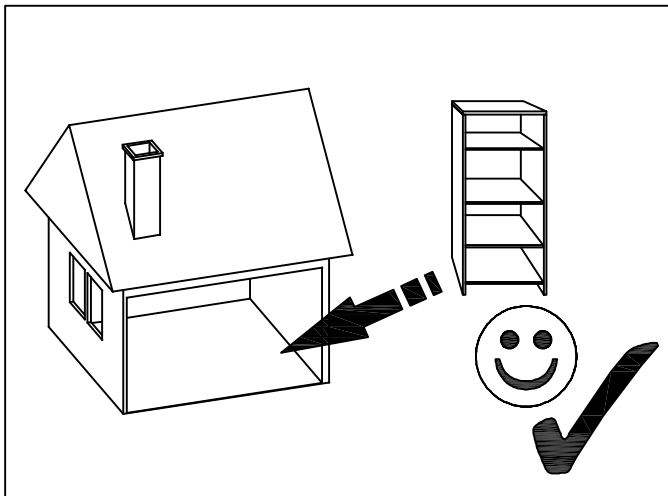
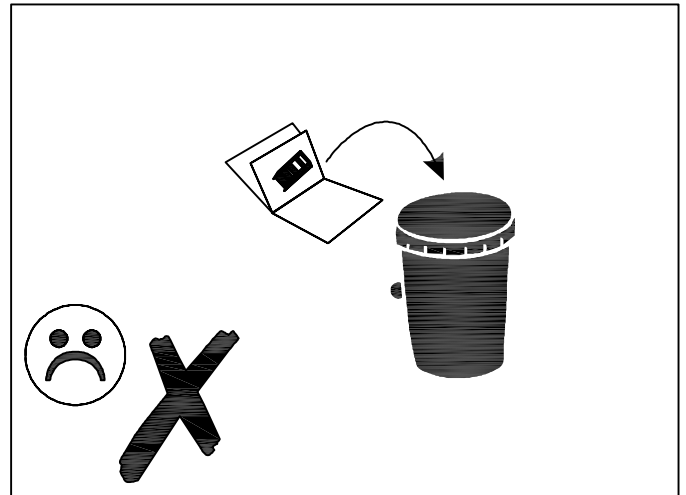
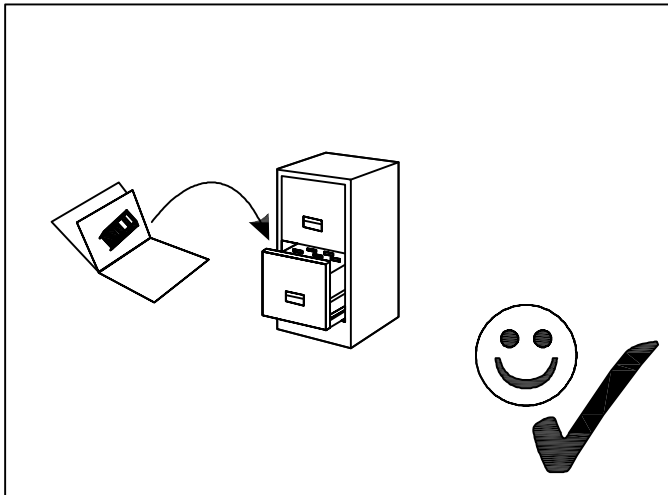
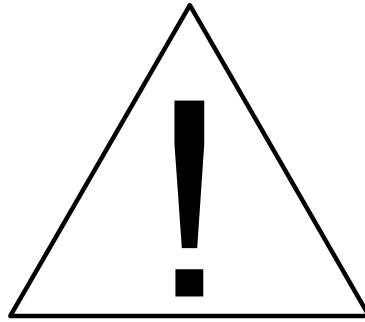
5/9 N



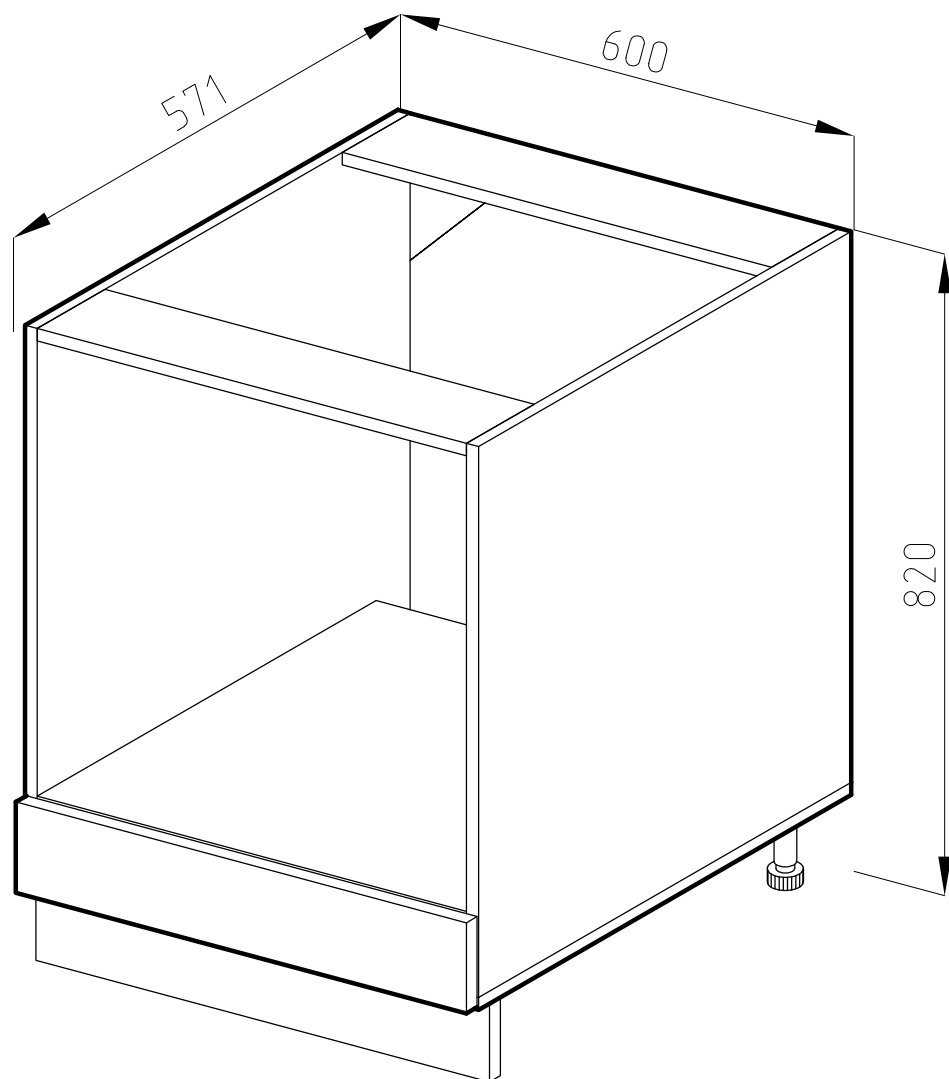
	
(E9) 4*16mm x8	(S5) 25*25*35mm x2

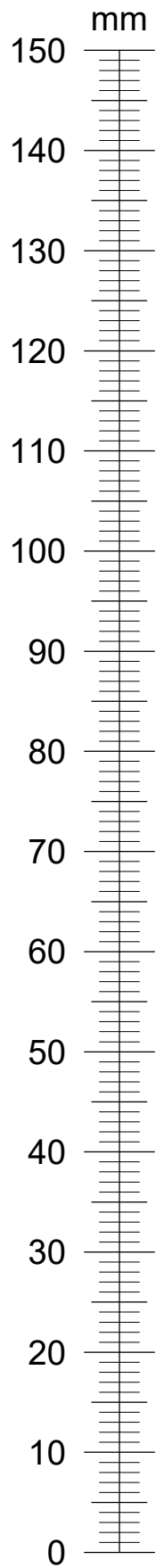
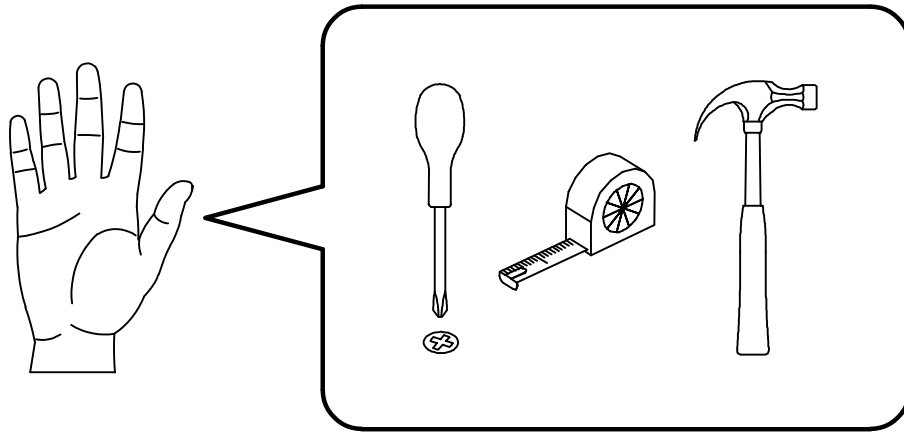
N°	a*b	x
5-1	596x572	1
5-2	600x96	1

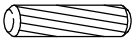


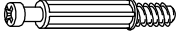




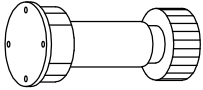
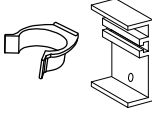
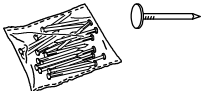
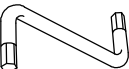




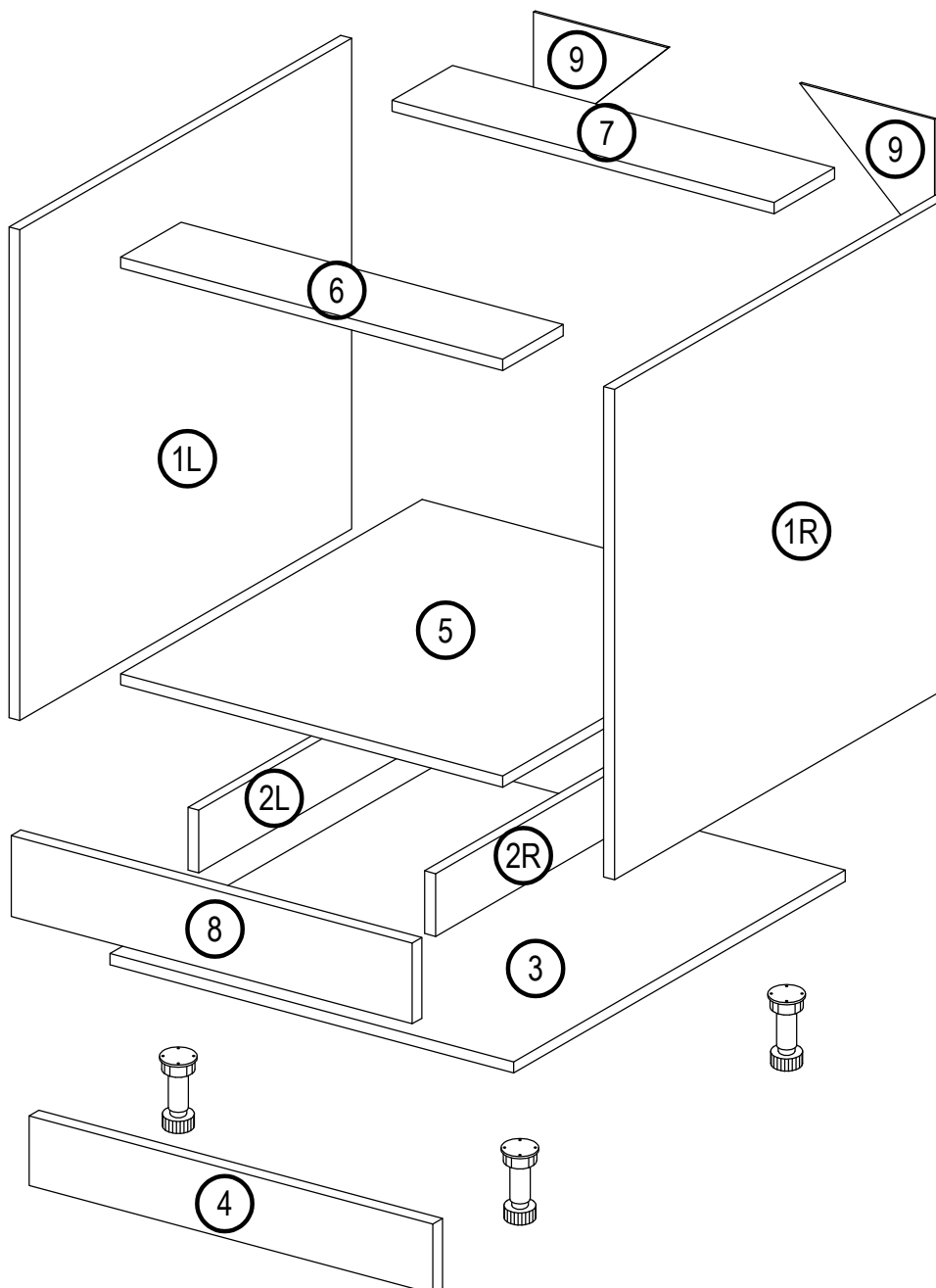
6/9 N



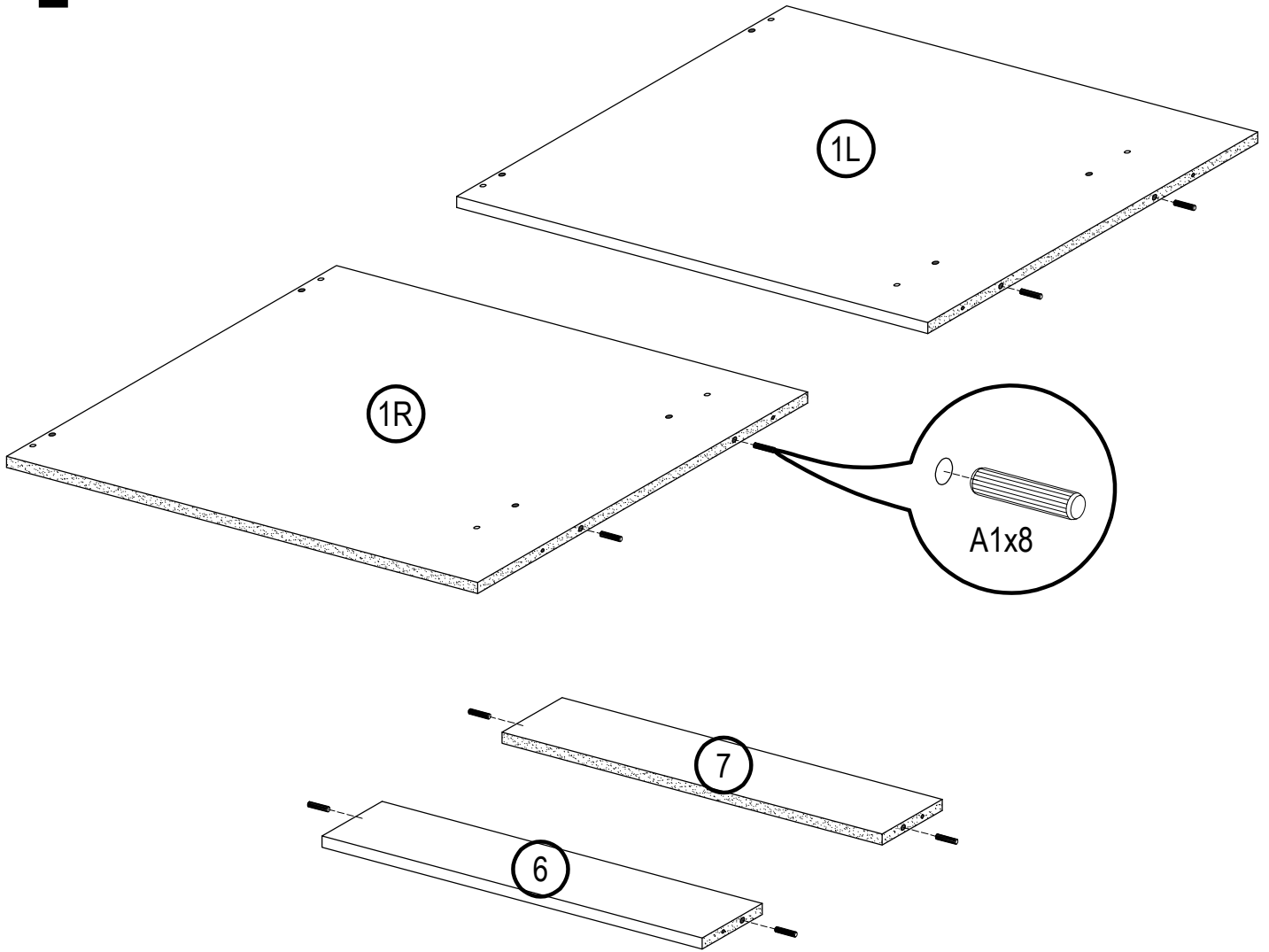


 A1 8*30mm x22	 B x20
 B1 6,3*50mm x20	 C1 5*30mm x2
 D x2	 D1 15*13mm x2
 E9 4*16mm x20	 E10 4*30mm x8
 K2 x4	 K3 x2
 R3 1.4*25mm 0.01kg	 R4 x1

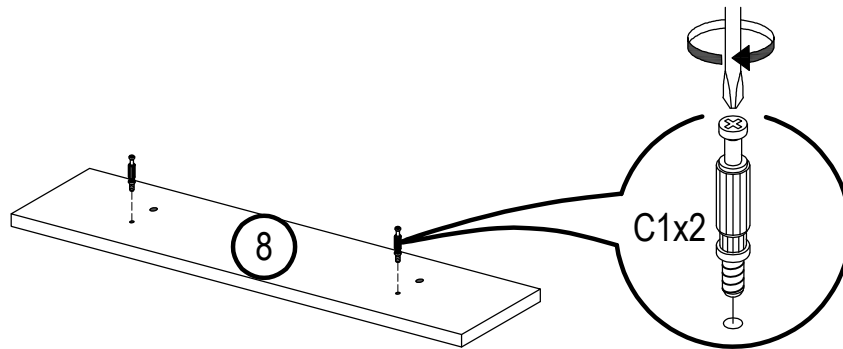
N°	a*b	x	N°	a*b	x
6-1L	704x550	1	6-5	567x500	1
6-1R	704x550	1	6-6	567x100	1
6-2L	90x500	1	6-7	567x100	1
6-2R	90x500	1	6-8	596x118	1
6-3	600x550	1	6-9	200x200	2
6-4	600x96	1			



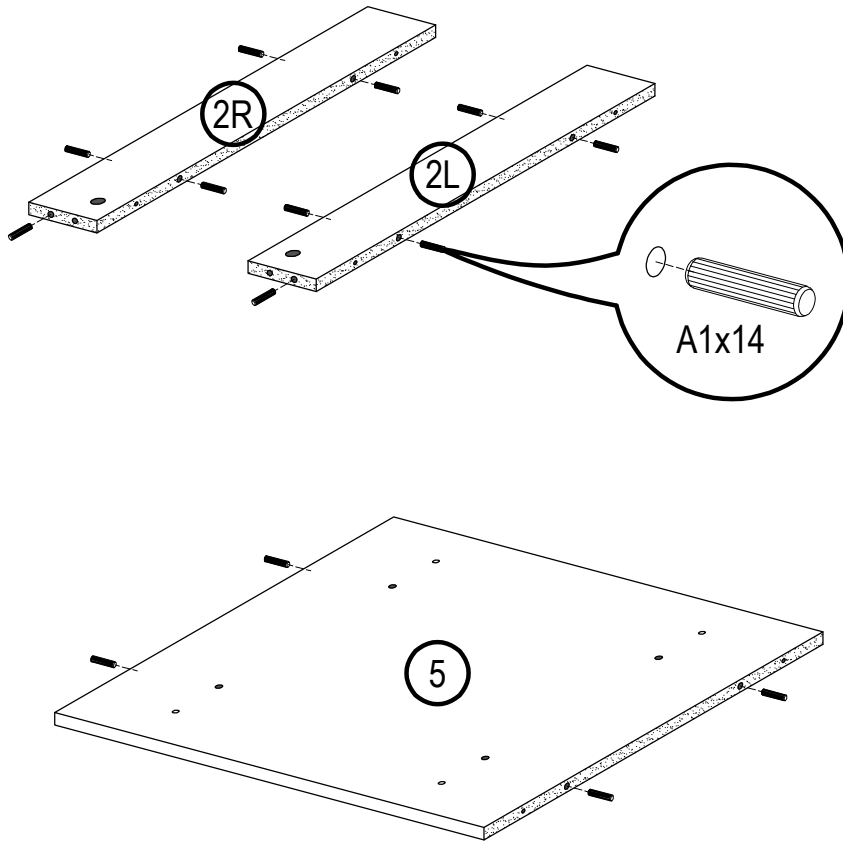
1



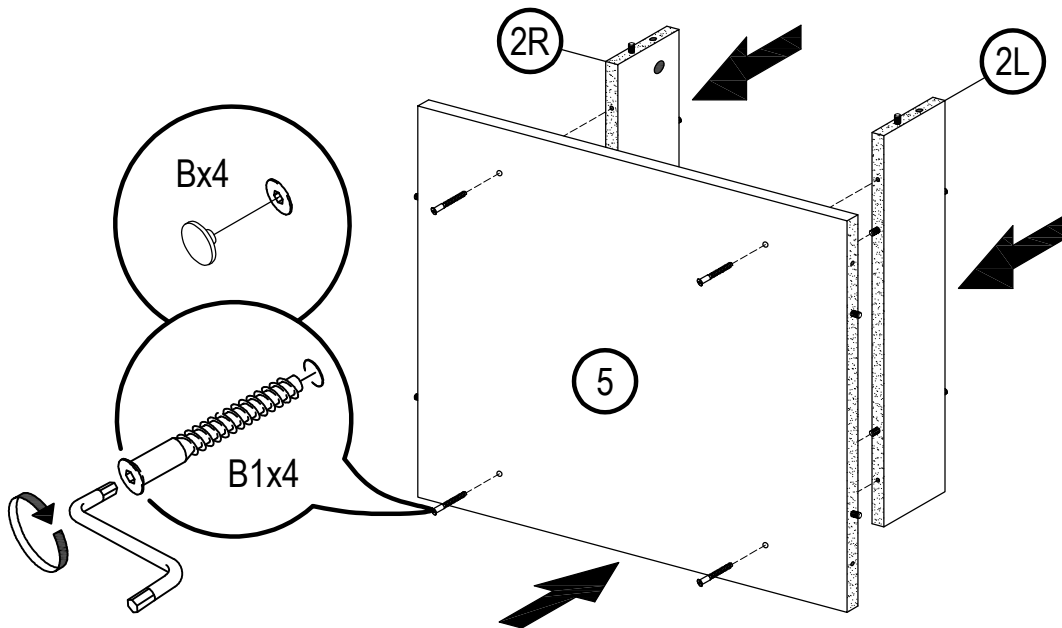
2



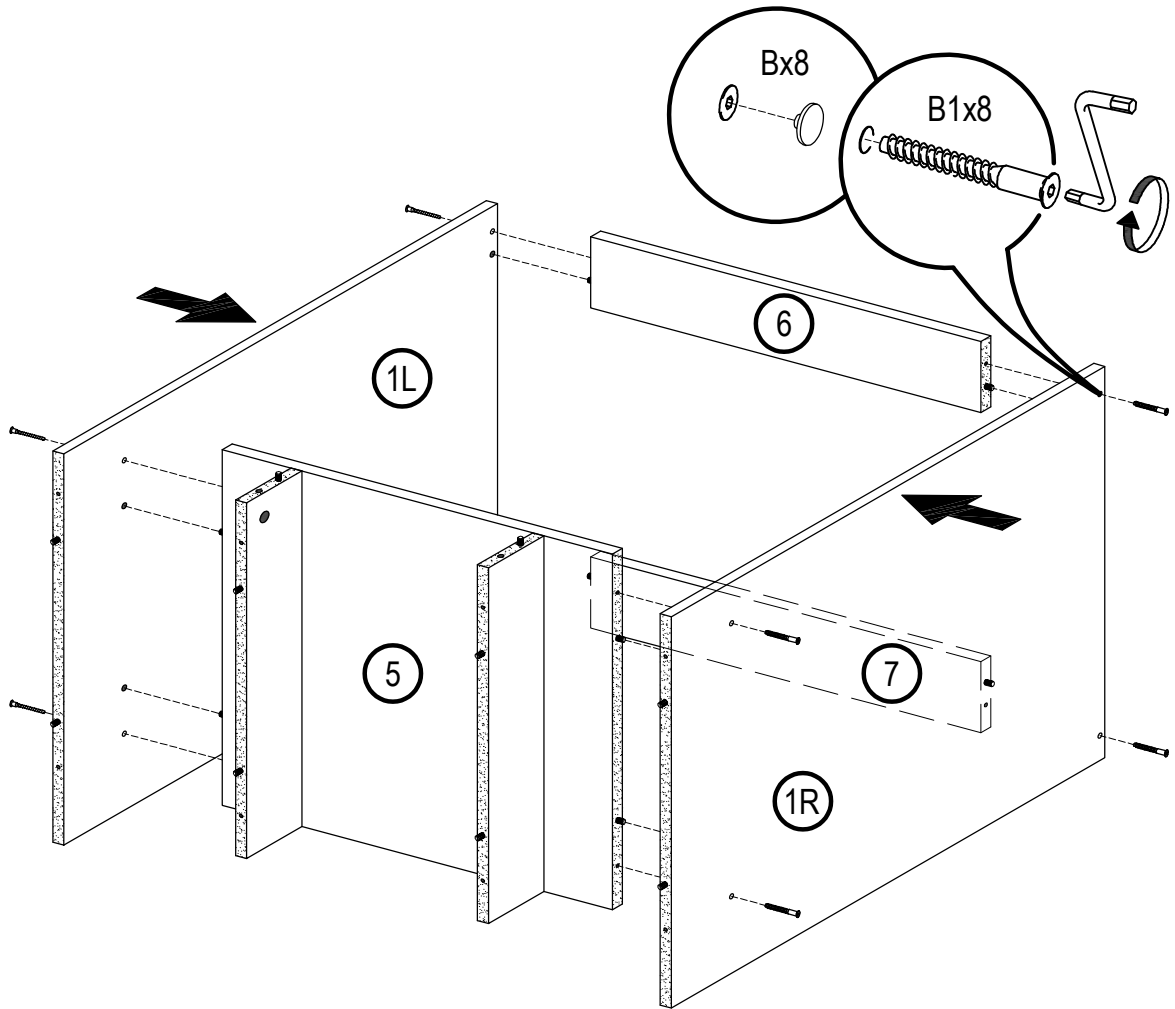
3



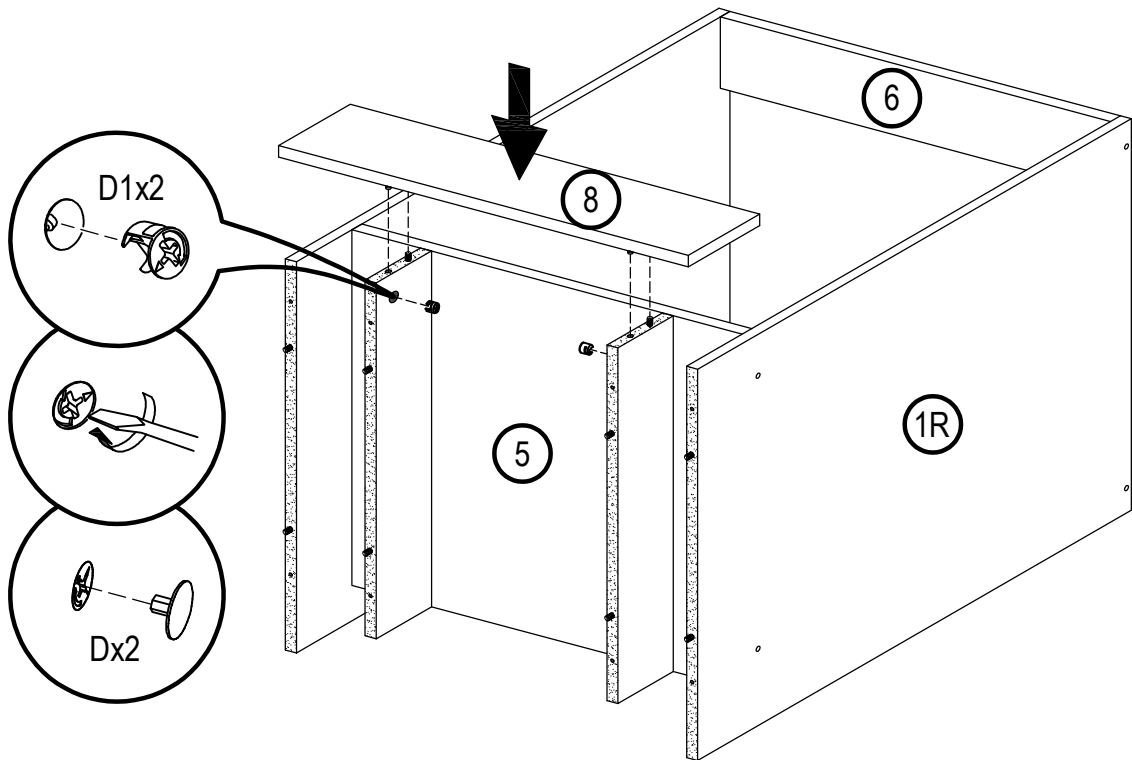
4



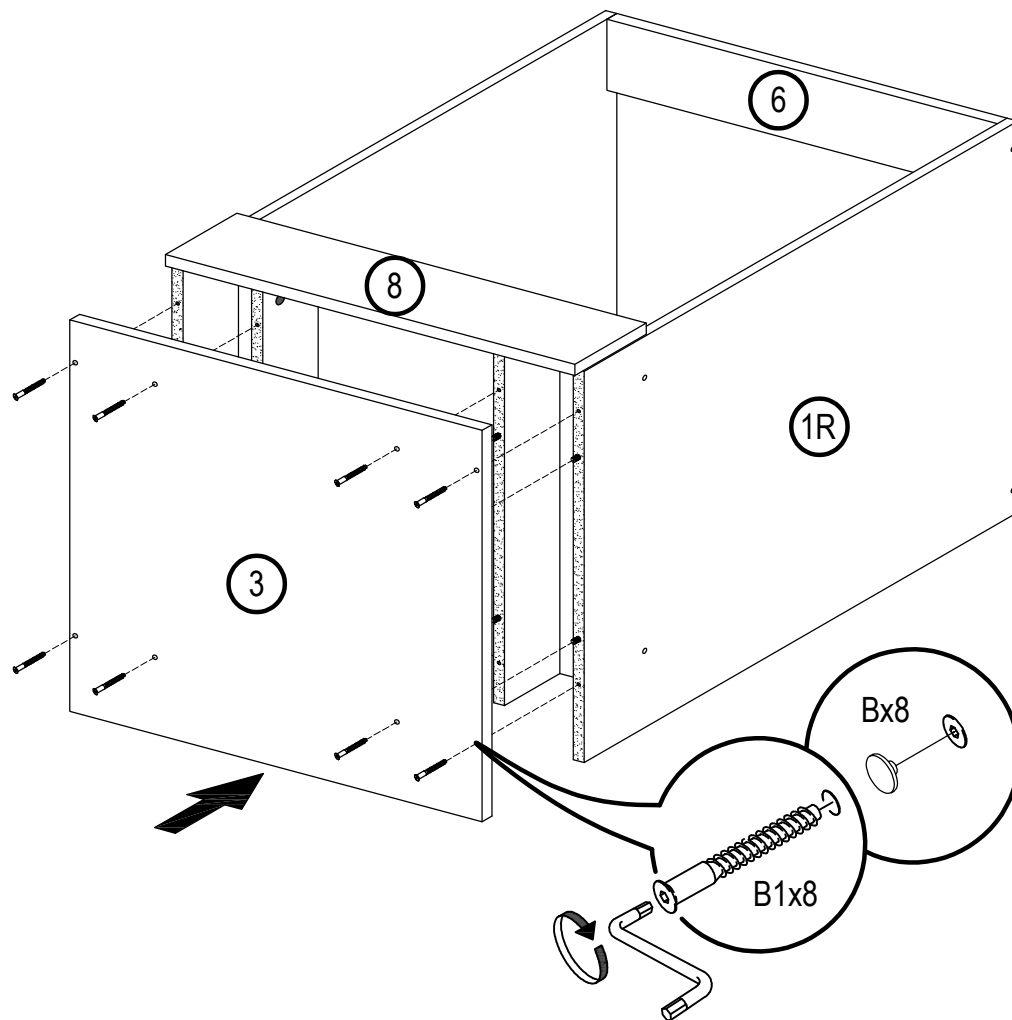
5



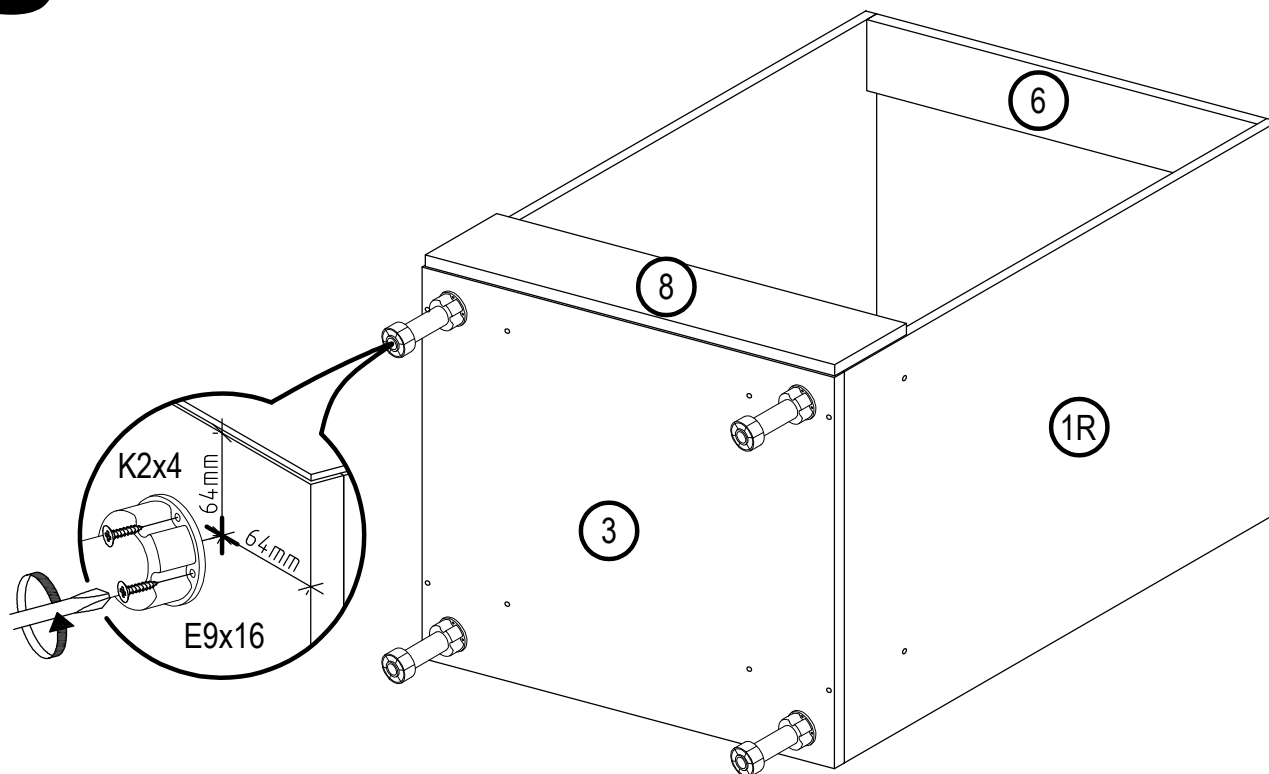
6



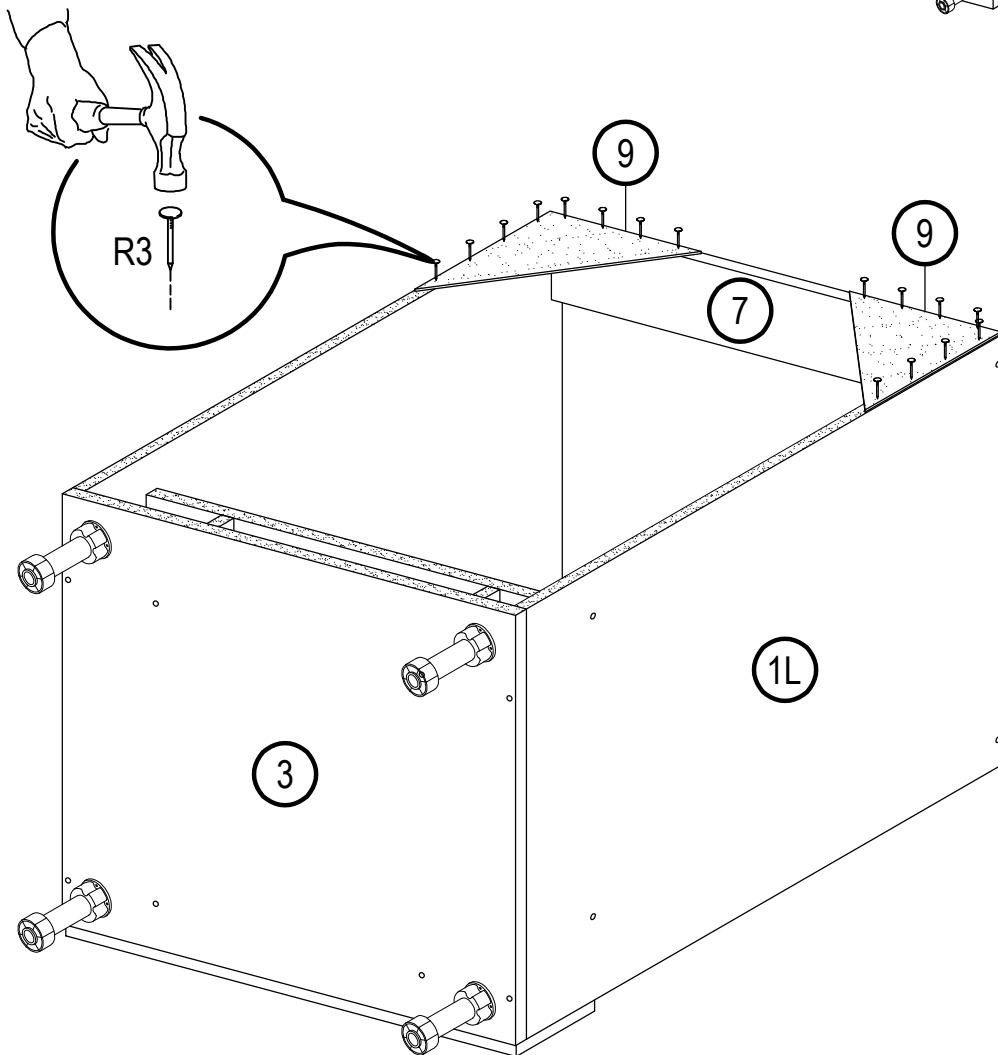
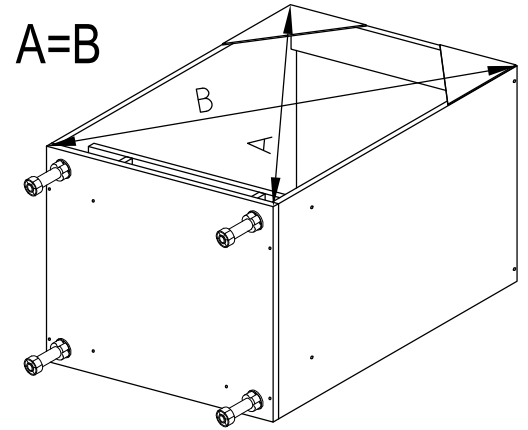
7



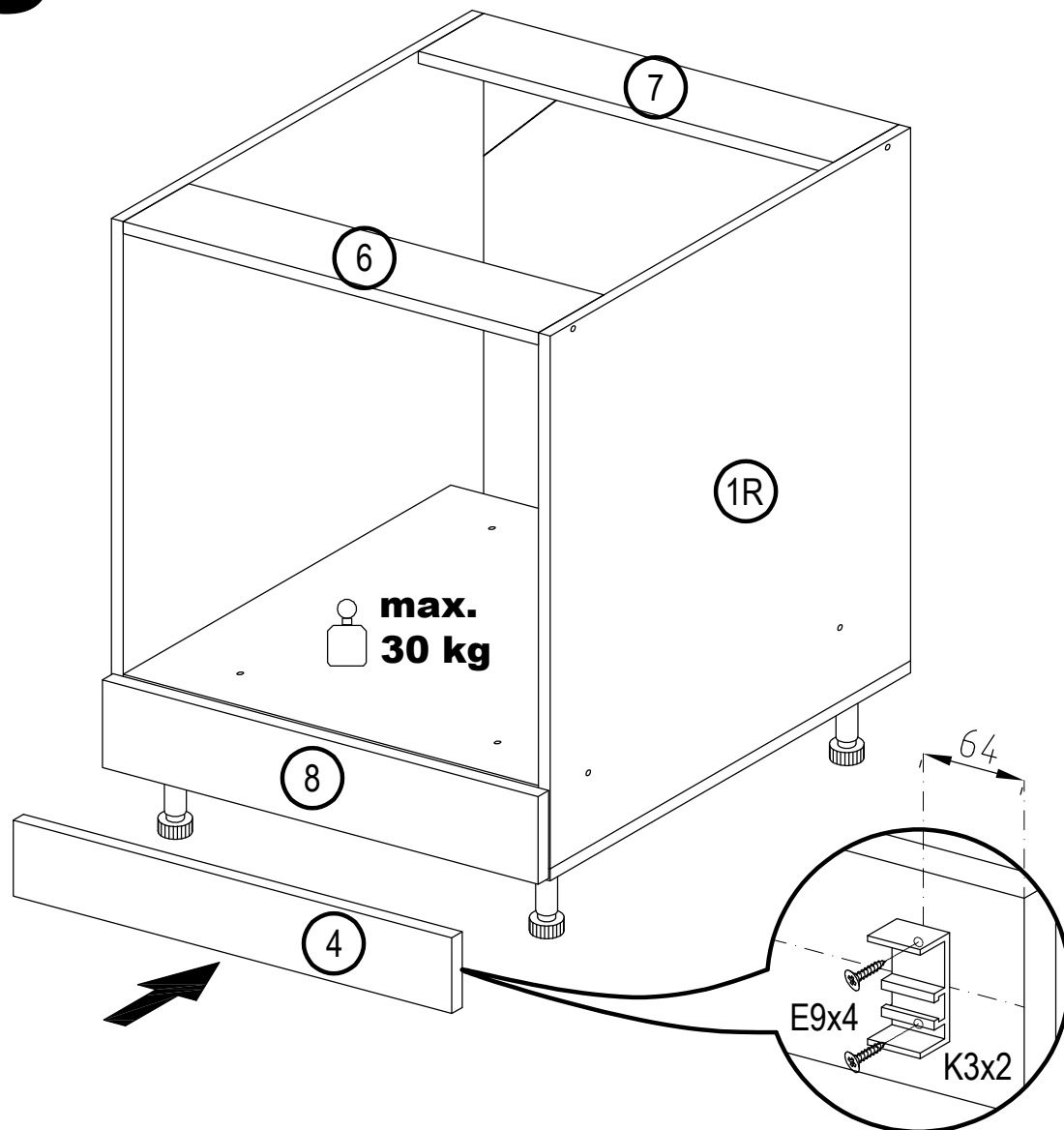
8

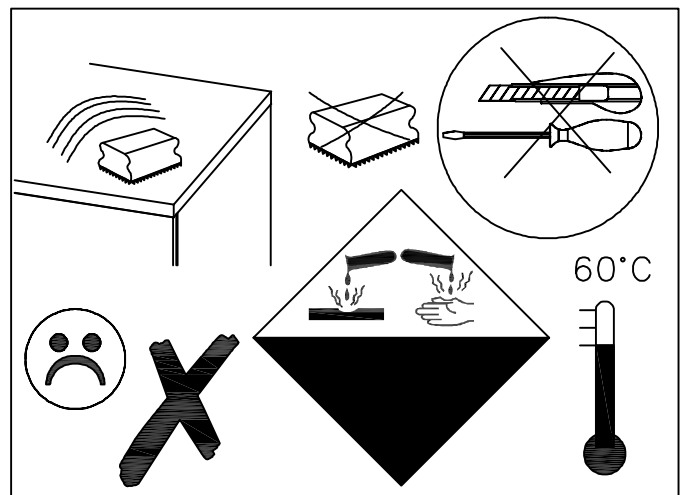
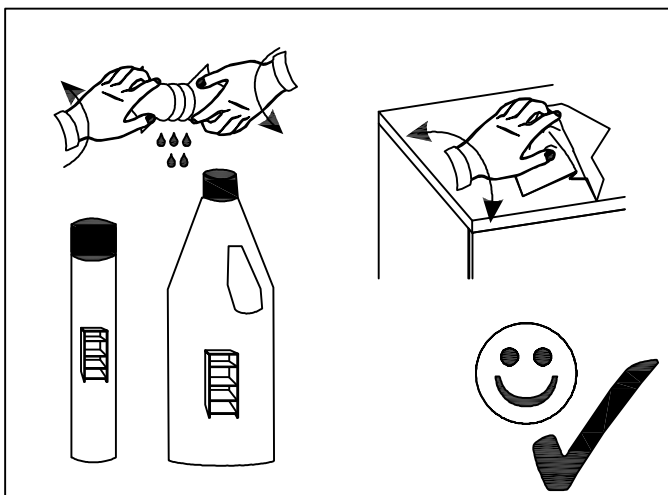
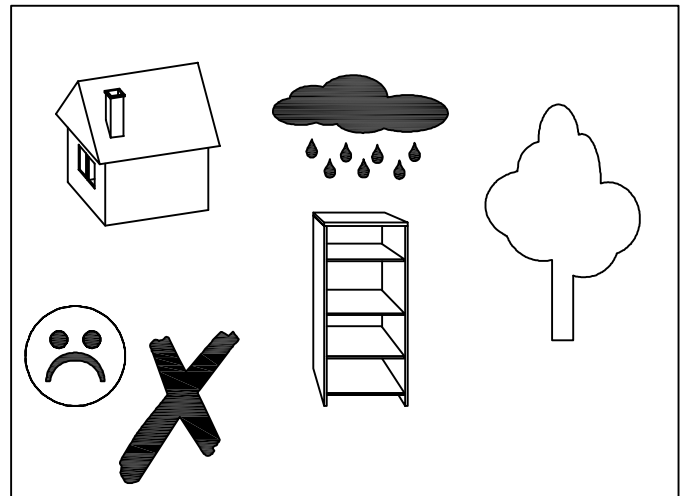
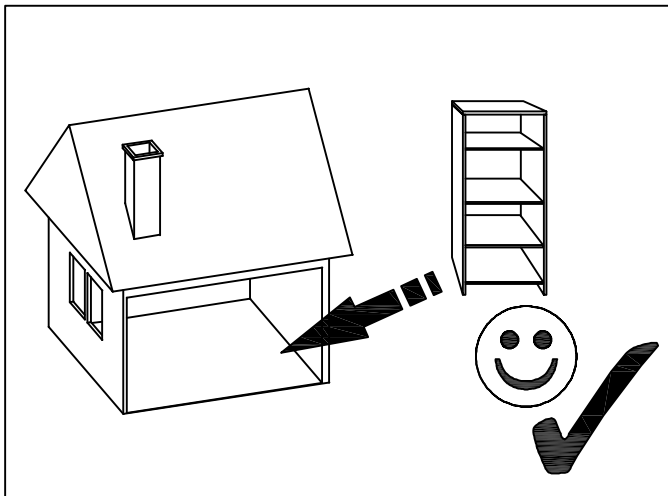
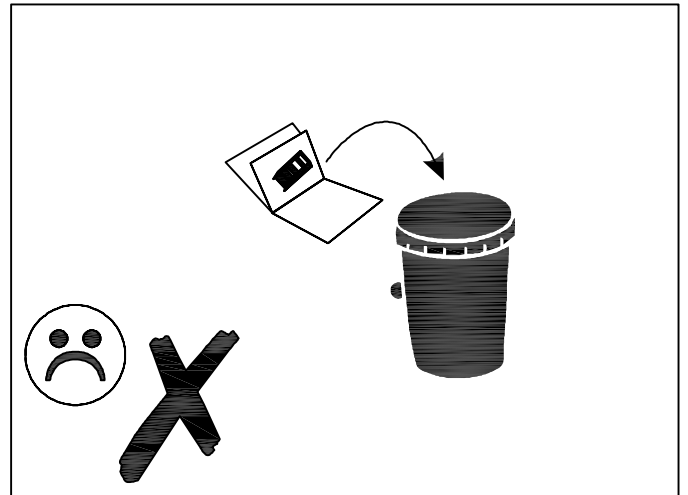
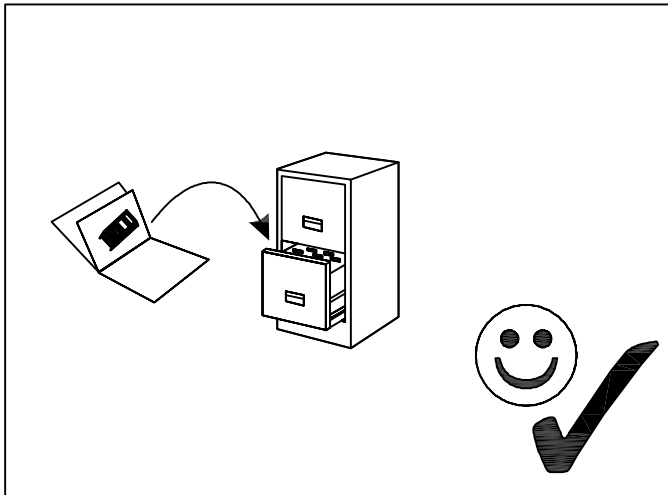
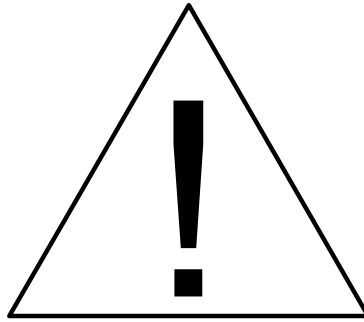


9

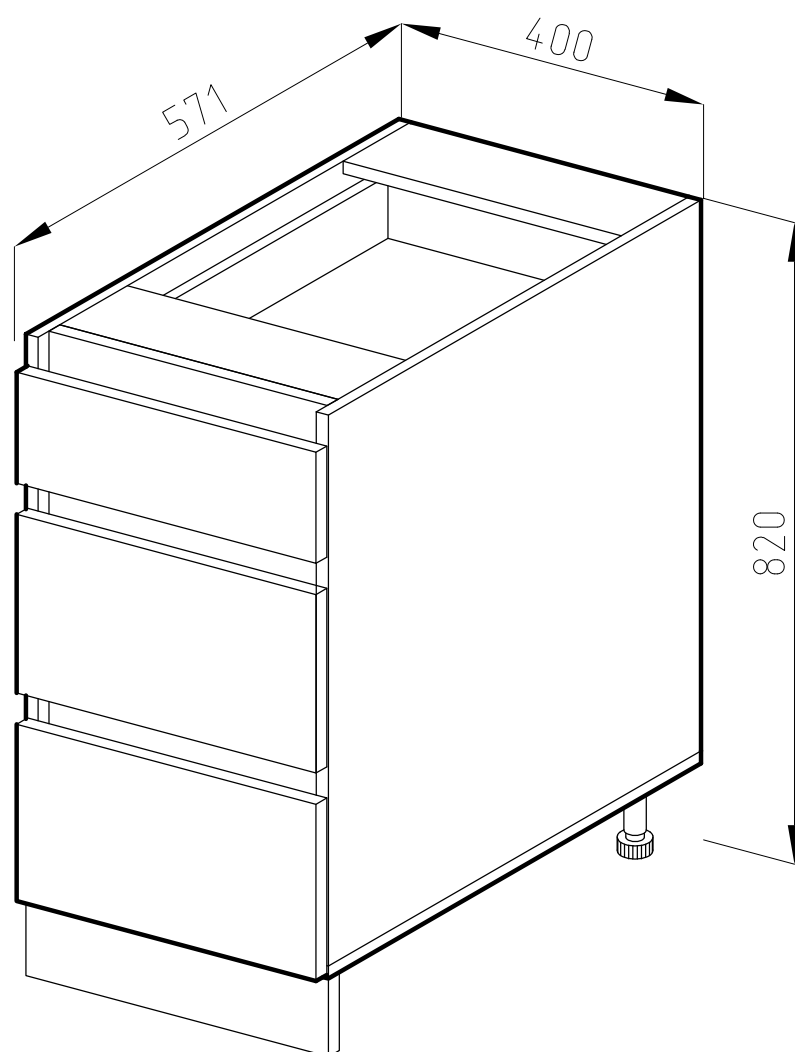


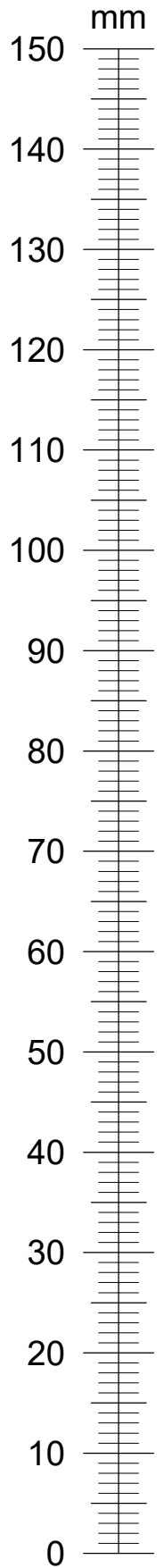
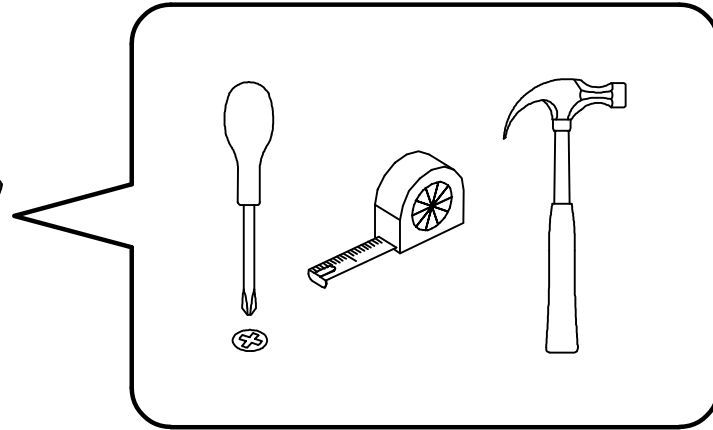
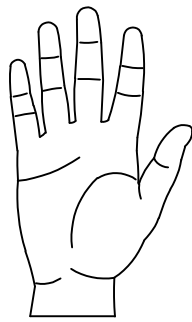
10



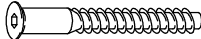

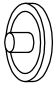

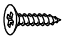
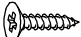
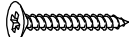

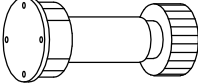
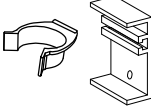

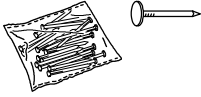
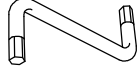





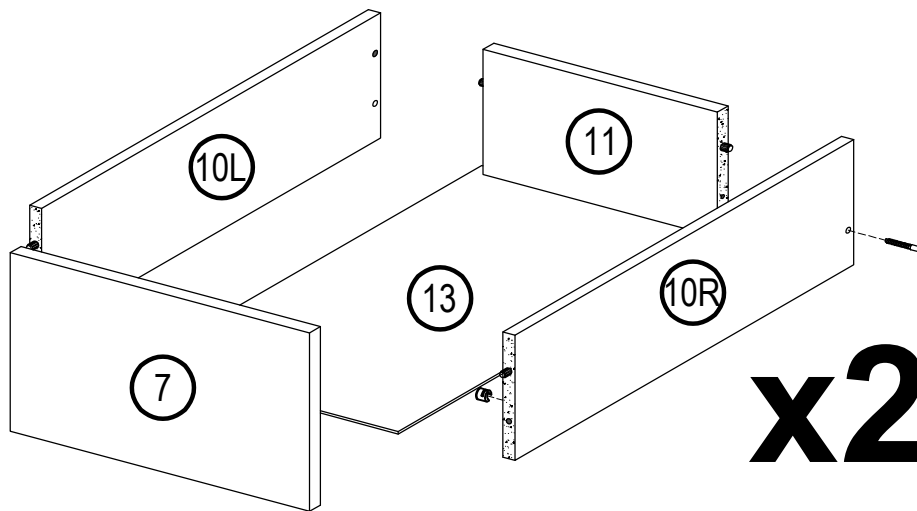
7/9 N

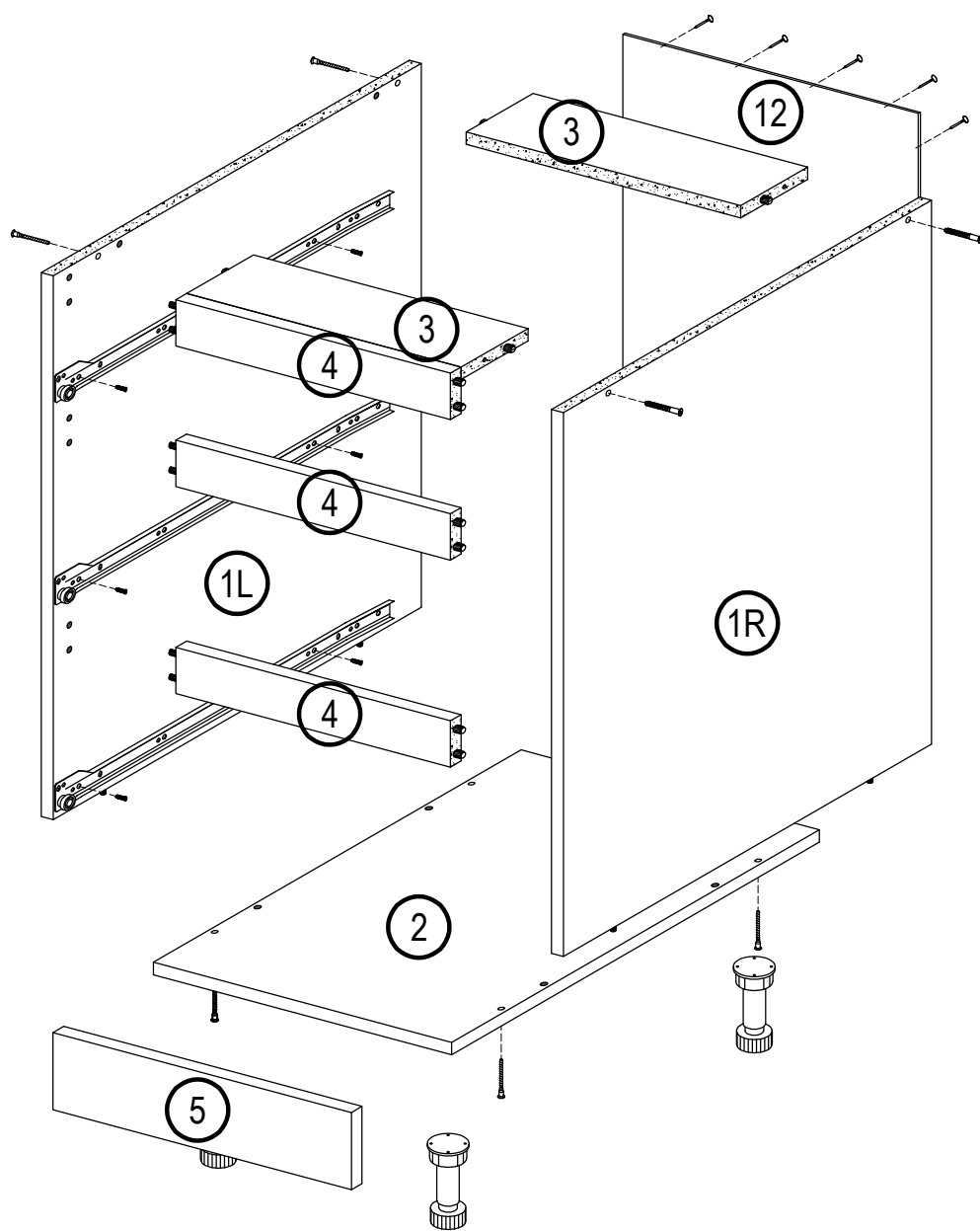
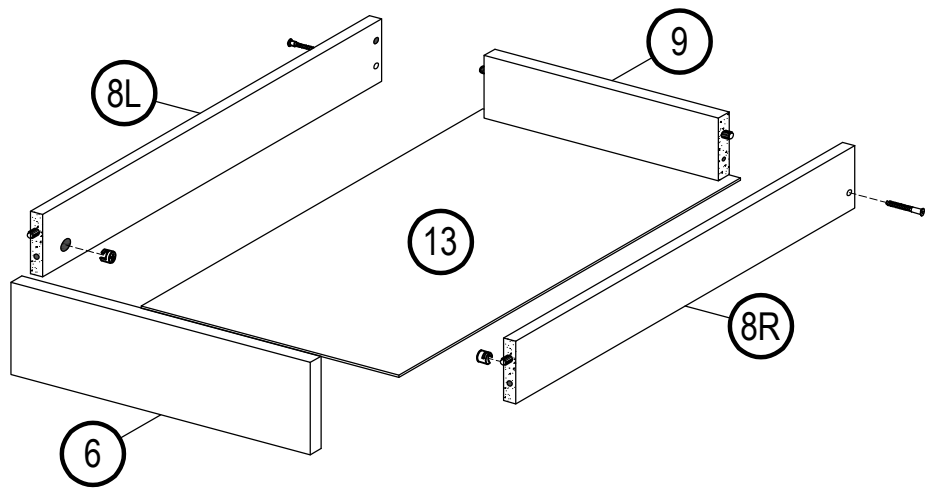




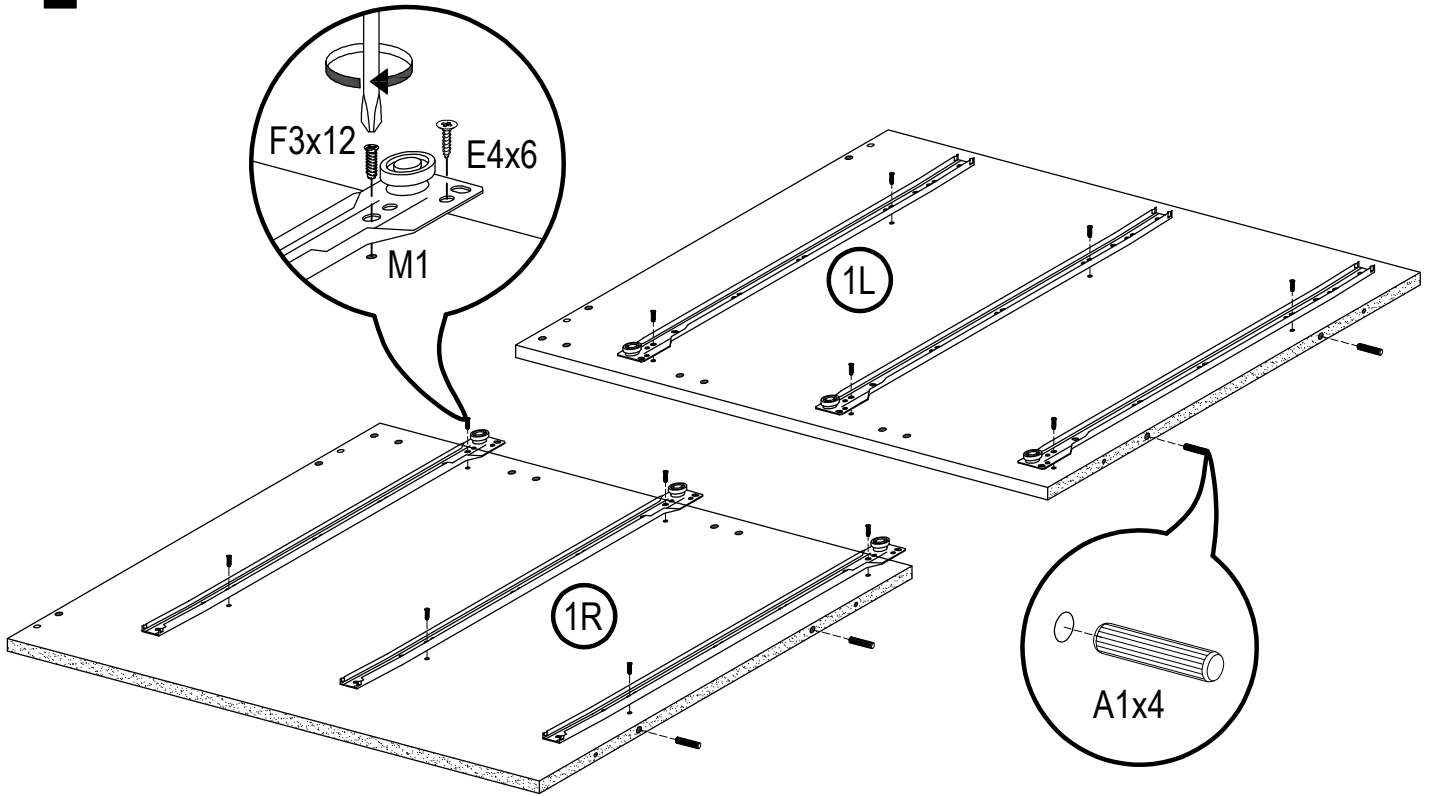
 A1 8*30mm x28	 B x14	 B1 6,3*50mm x14
 C1 5*30mm x6	 D x6	 D1 15*13mm x6
 E4 3*15mm x24	 E9 4*16mm x20	 E10 4*30mm x6
 F3 5,0*13mm x12	 K2 x4	 K3 x2
 M1 500mm x3	 R3 1.4*25mm 0.02kg	 R4 x1
 U3 x6		

N°	a*b	x	N°	a*b	x
7-1R	704x550	1	7-8R	500x80	1
7-1L	704x550	1	7-8L	500x80	1
7-2	400x550	1	7-9	310x80	1
7-3	367x100	2	7-10R	500x160	2
7-4	367x60	3	7-10L	500x160	2
7-5	400x96	1	7-11	310x160	2
7-6	396x142	1	7-12	716x396	1
7-7	396x228	2	7-13	504x341	3

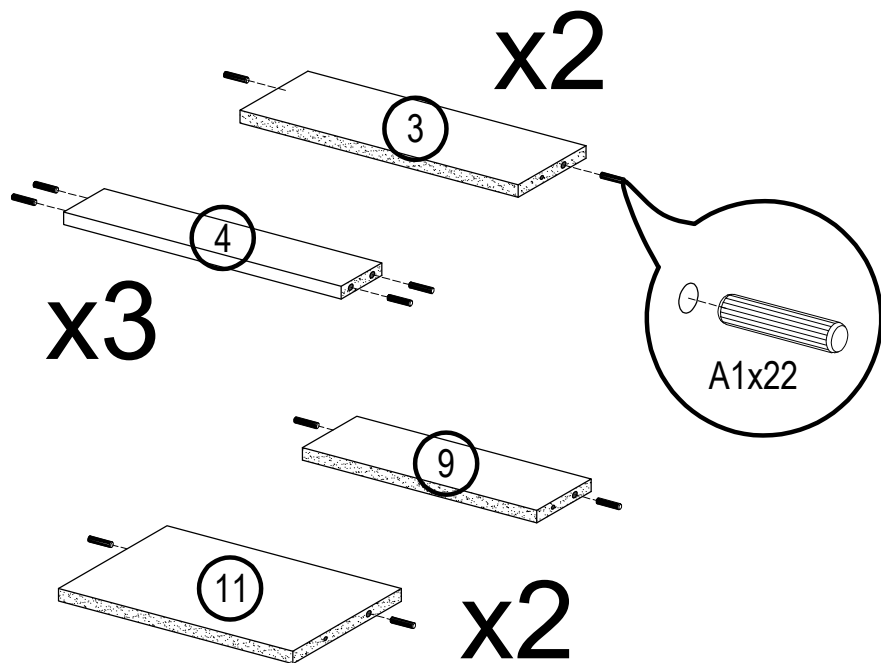




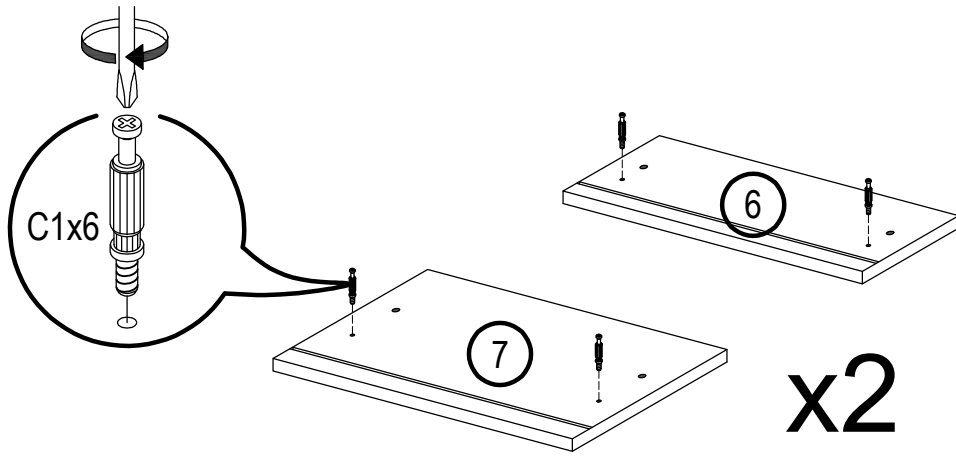
1



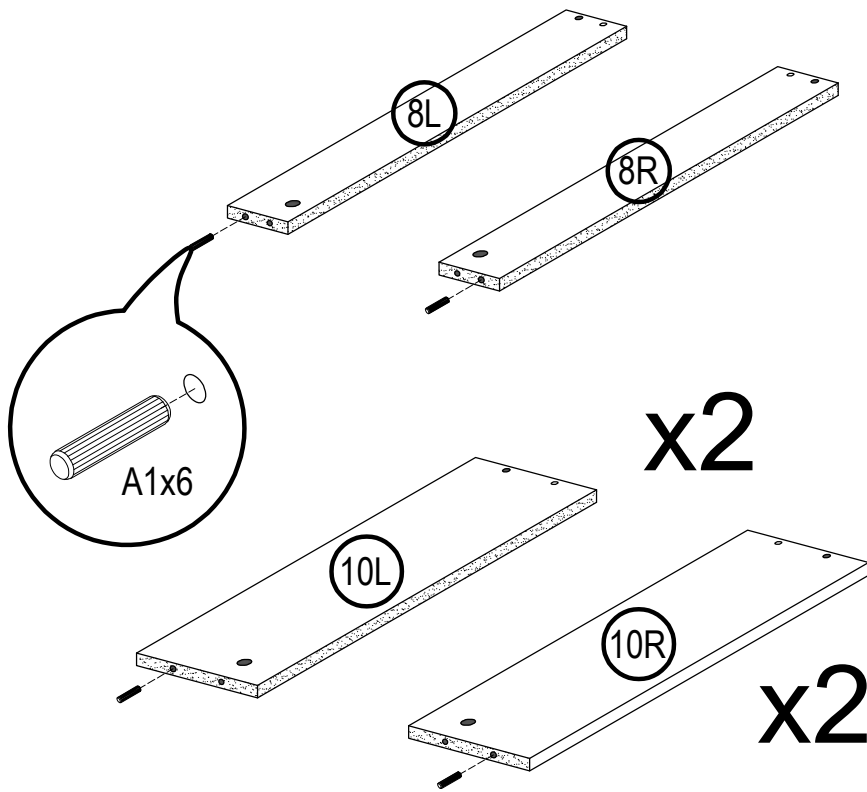
2



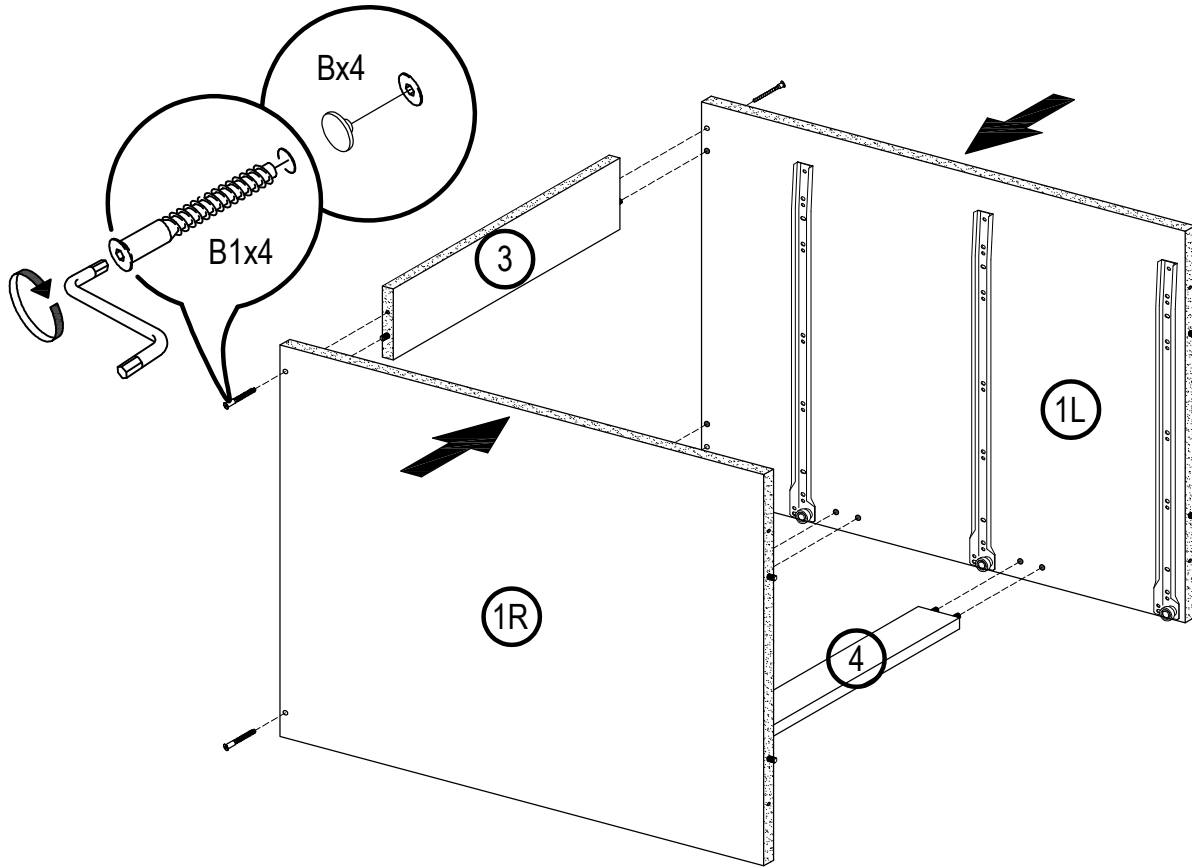
3



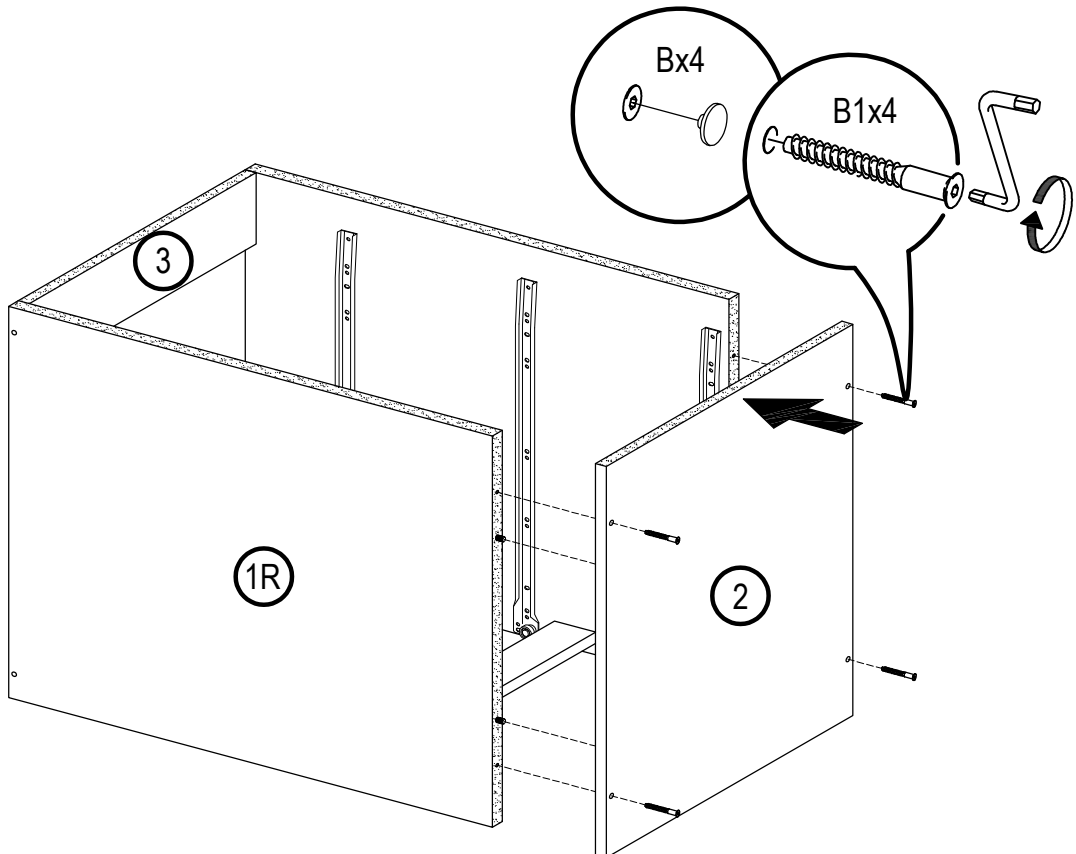
4



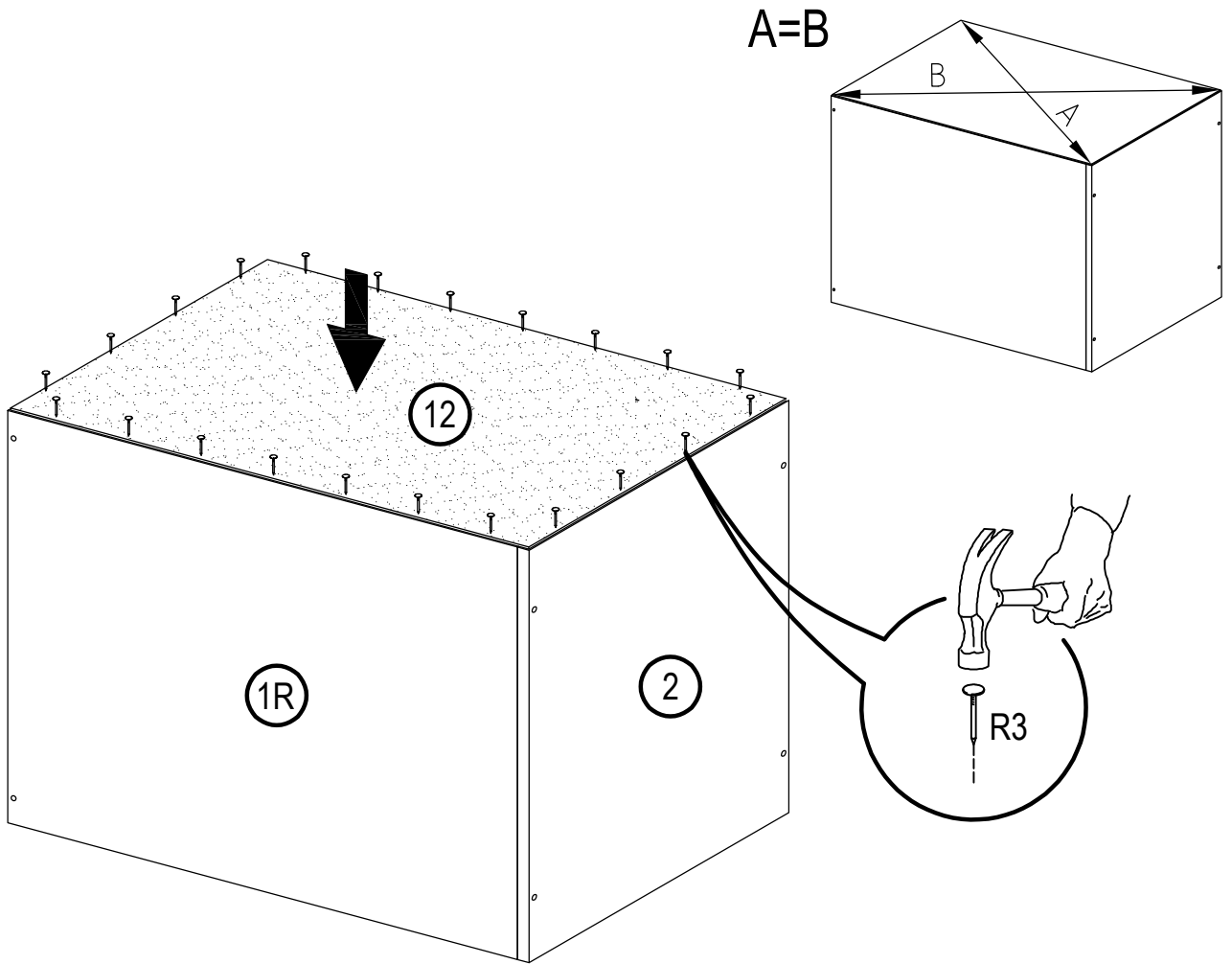
5



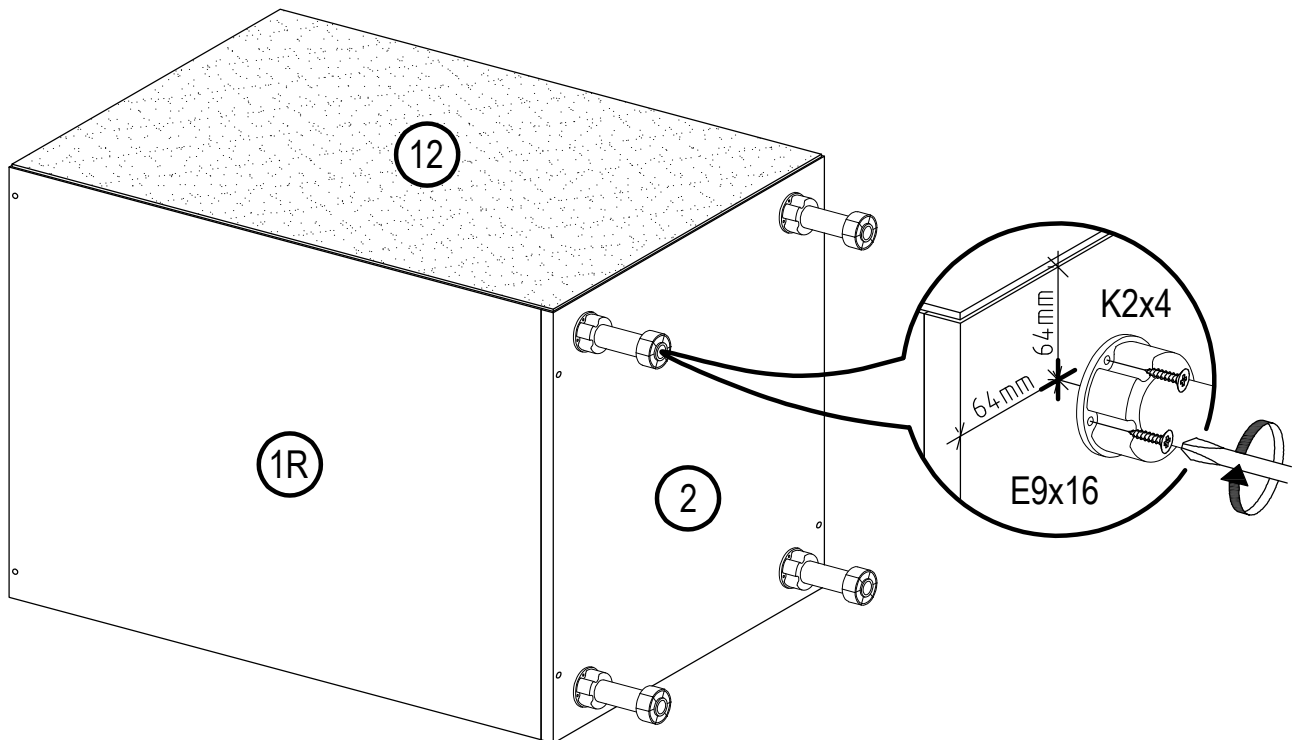
6



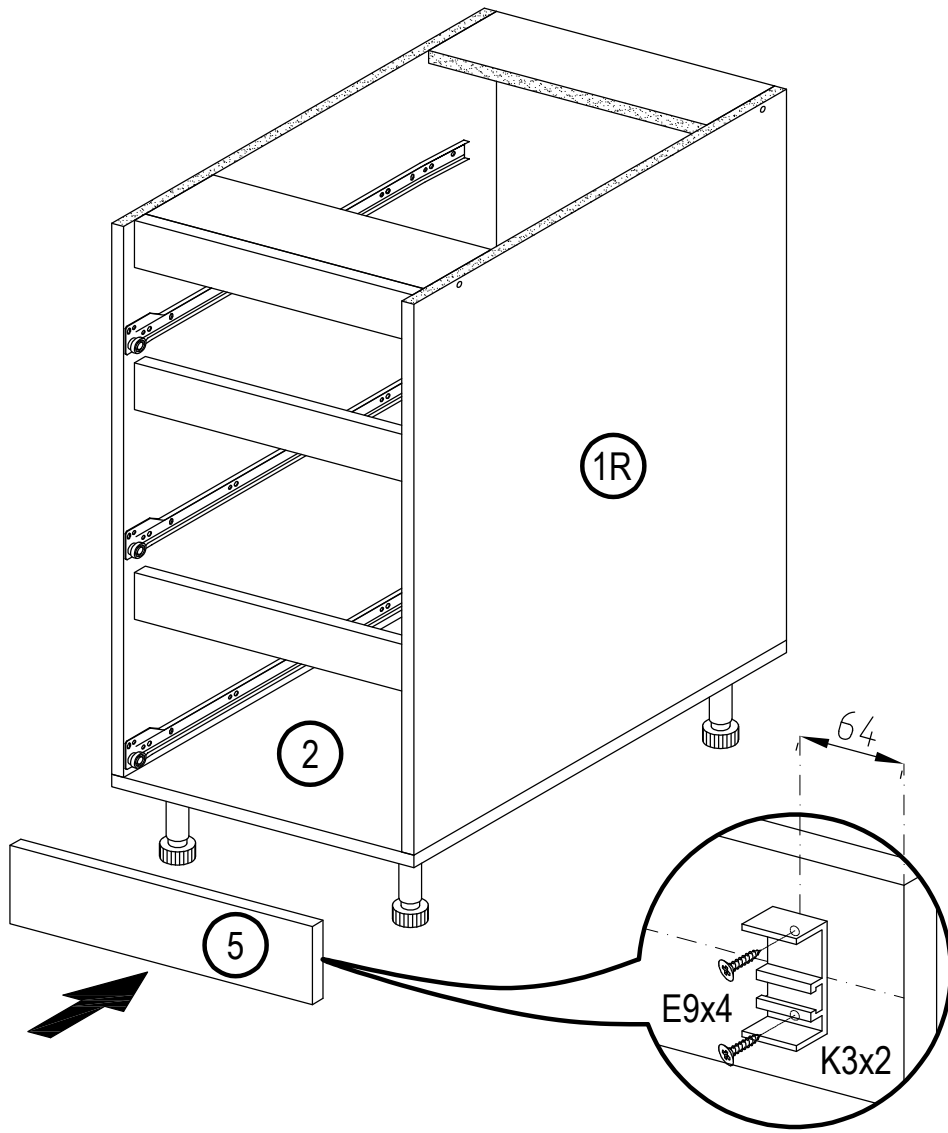
7



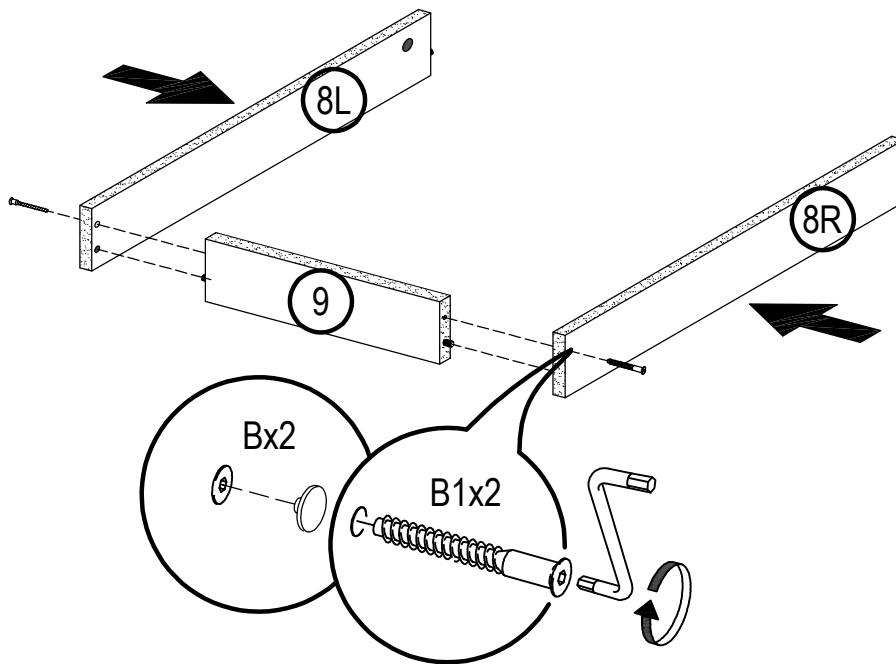
8



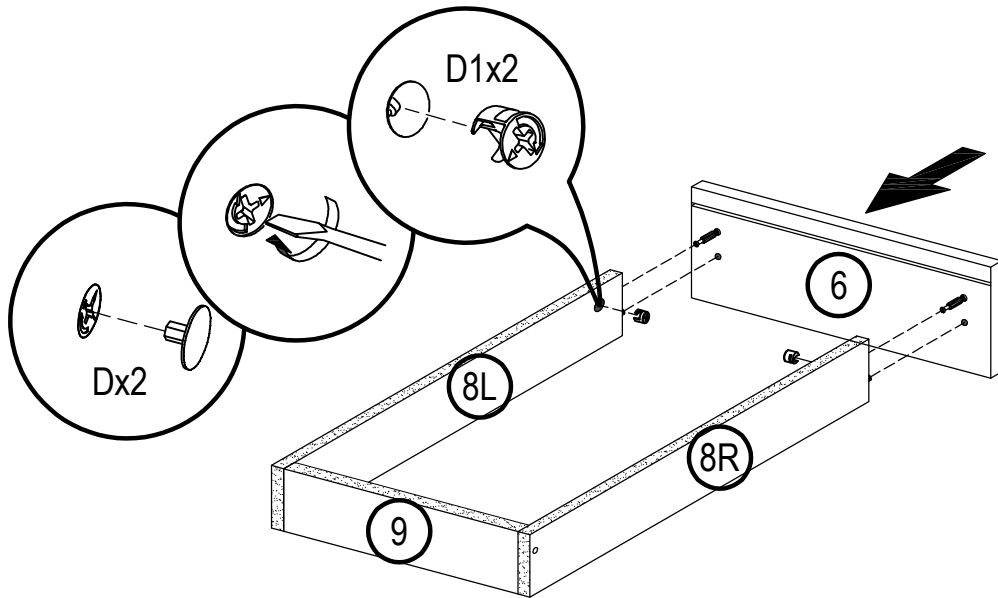
9



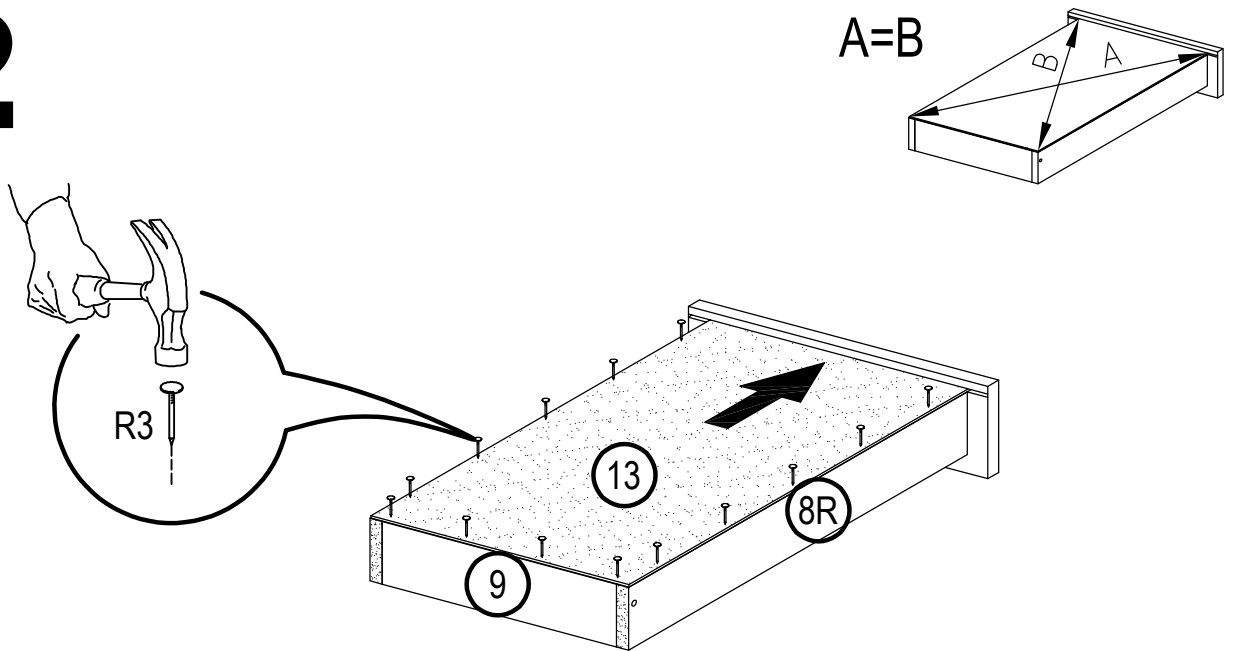
10



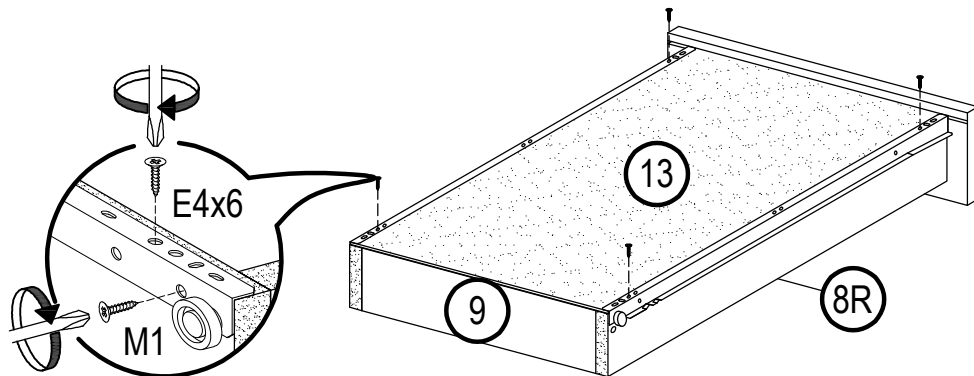
11



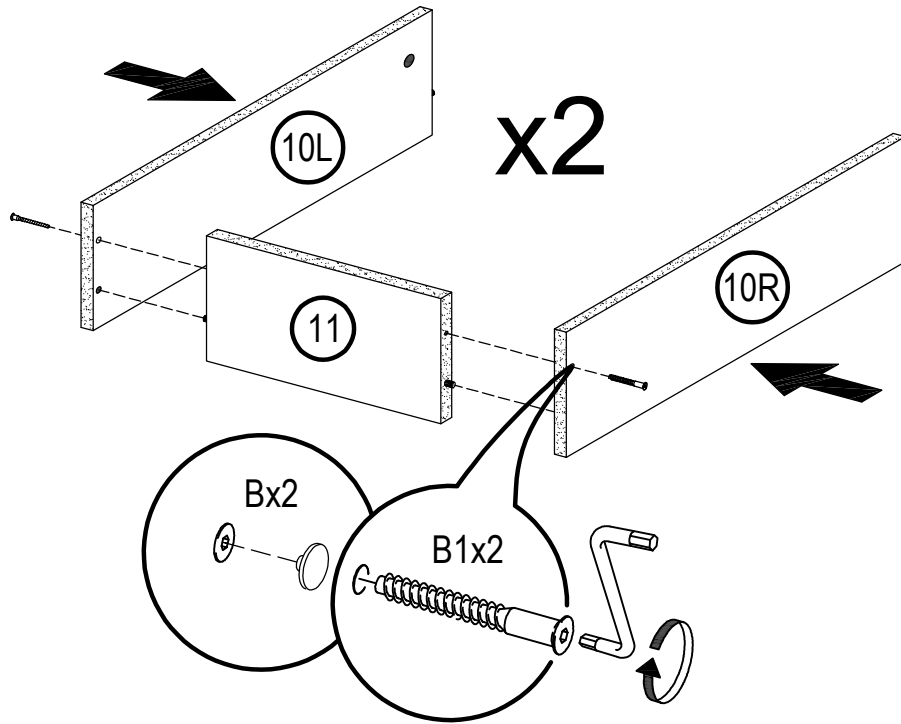
12



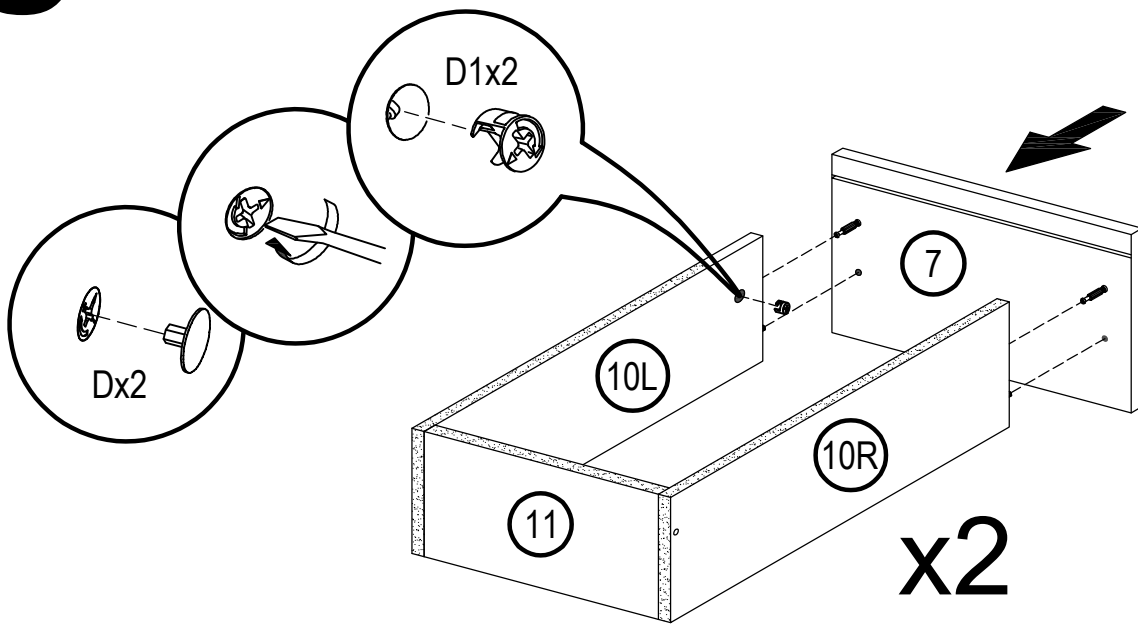
13



14

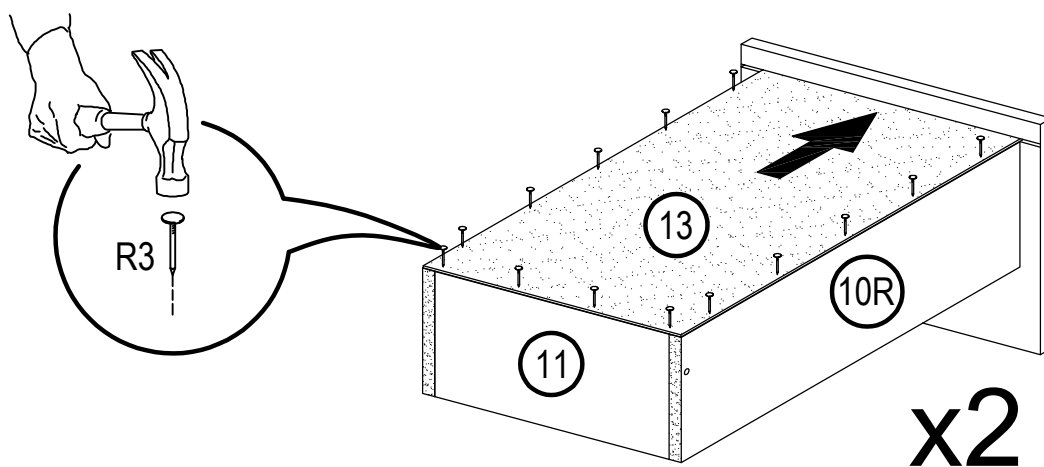
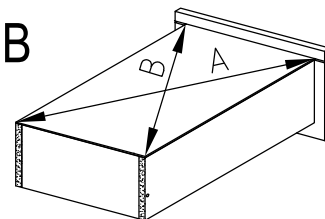


15

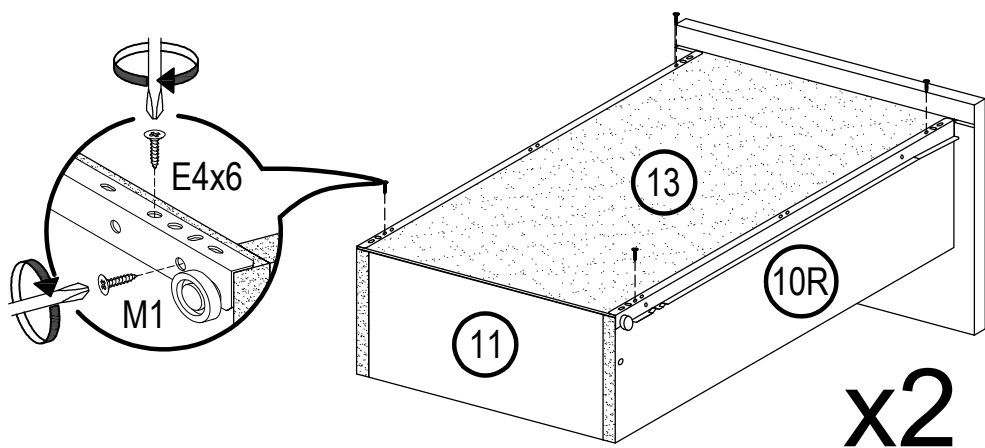


16

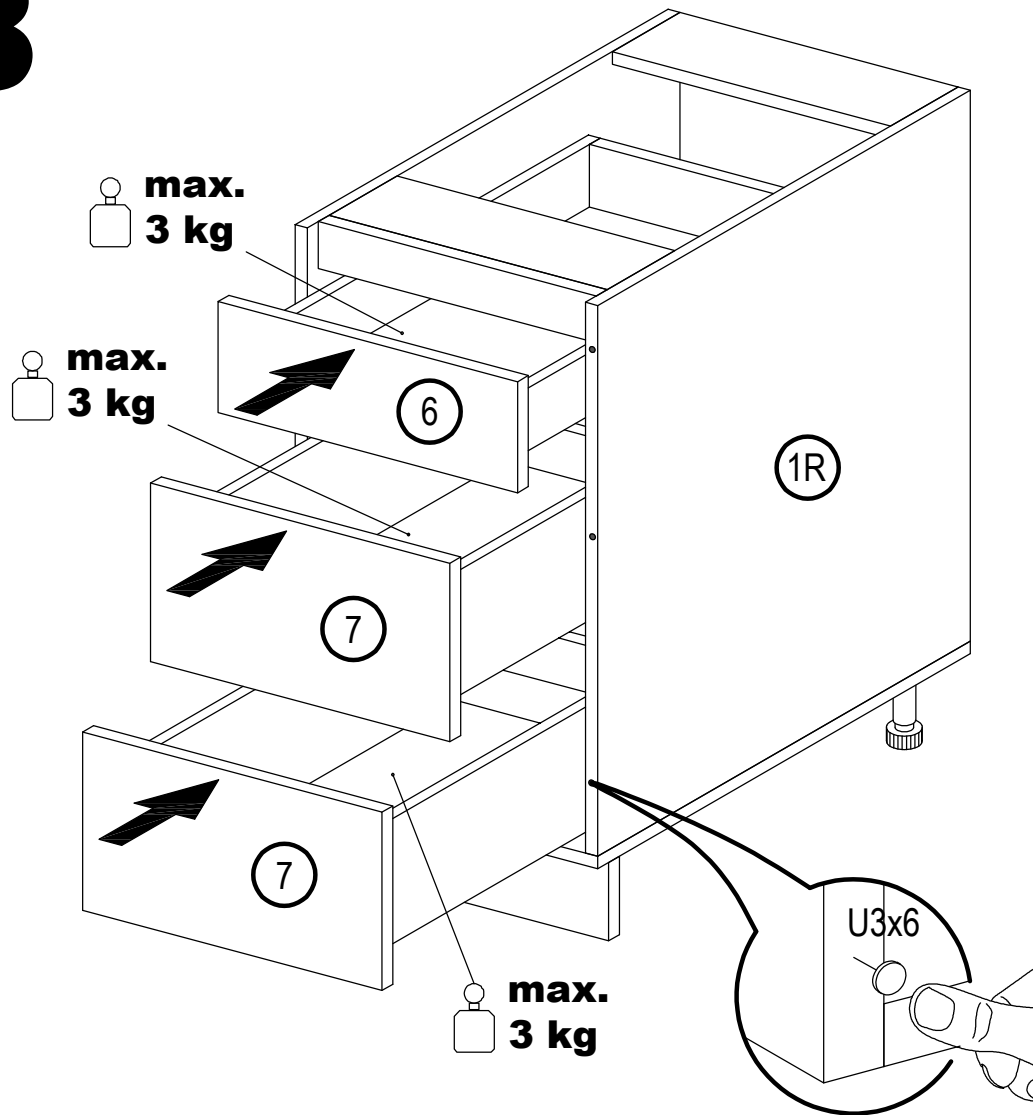
A=B

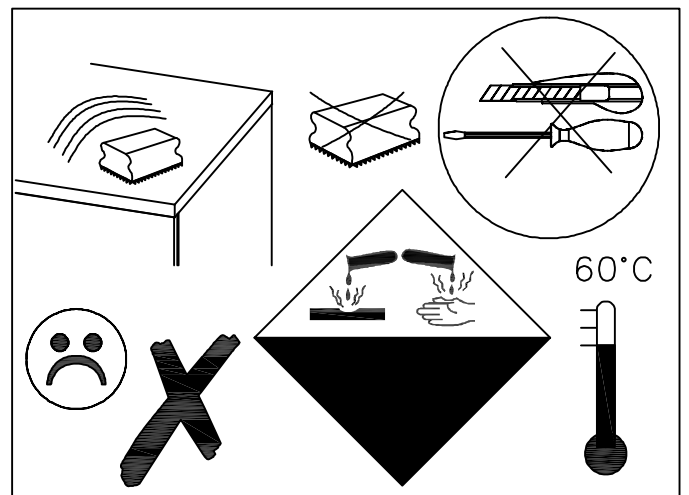
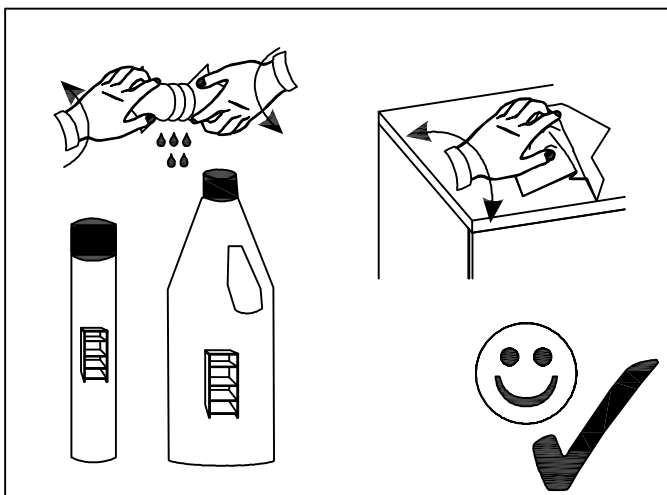
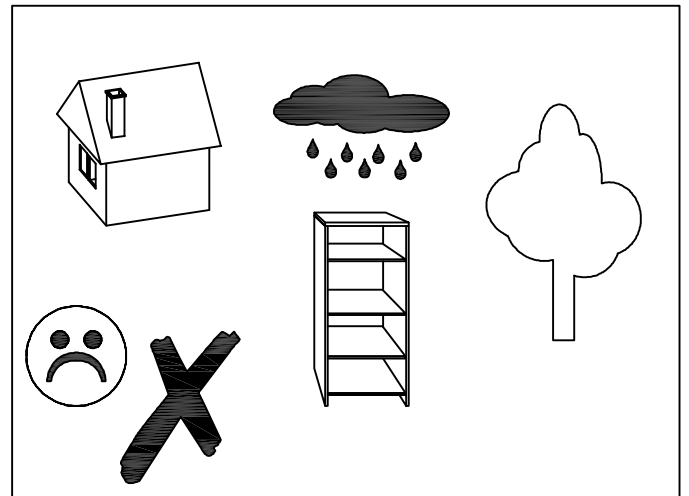
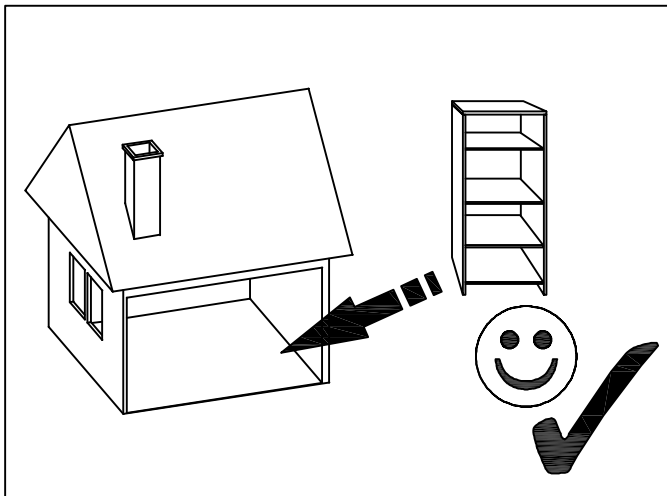
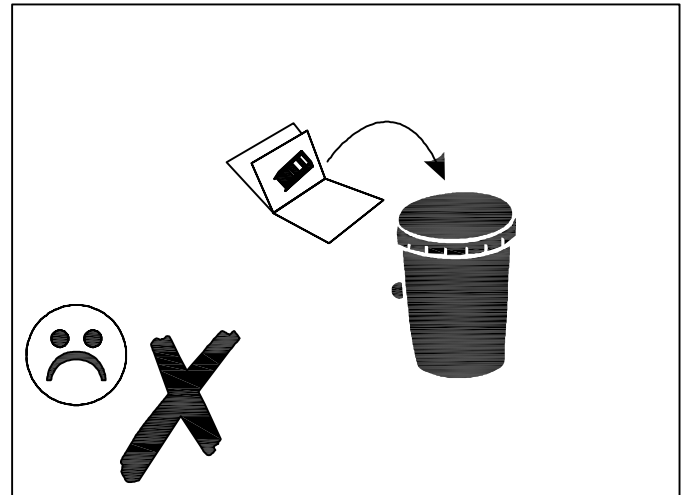
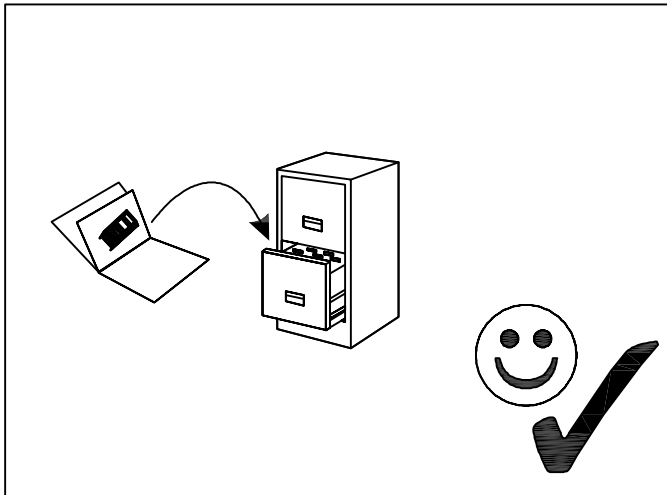
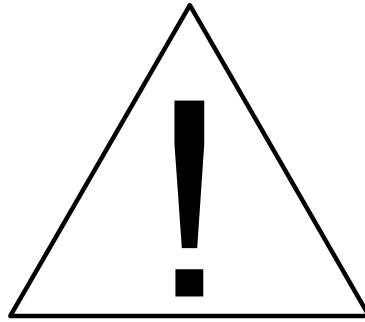


17

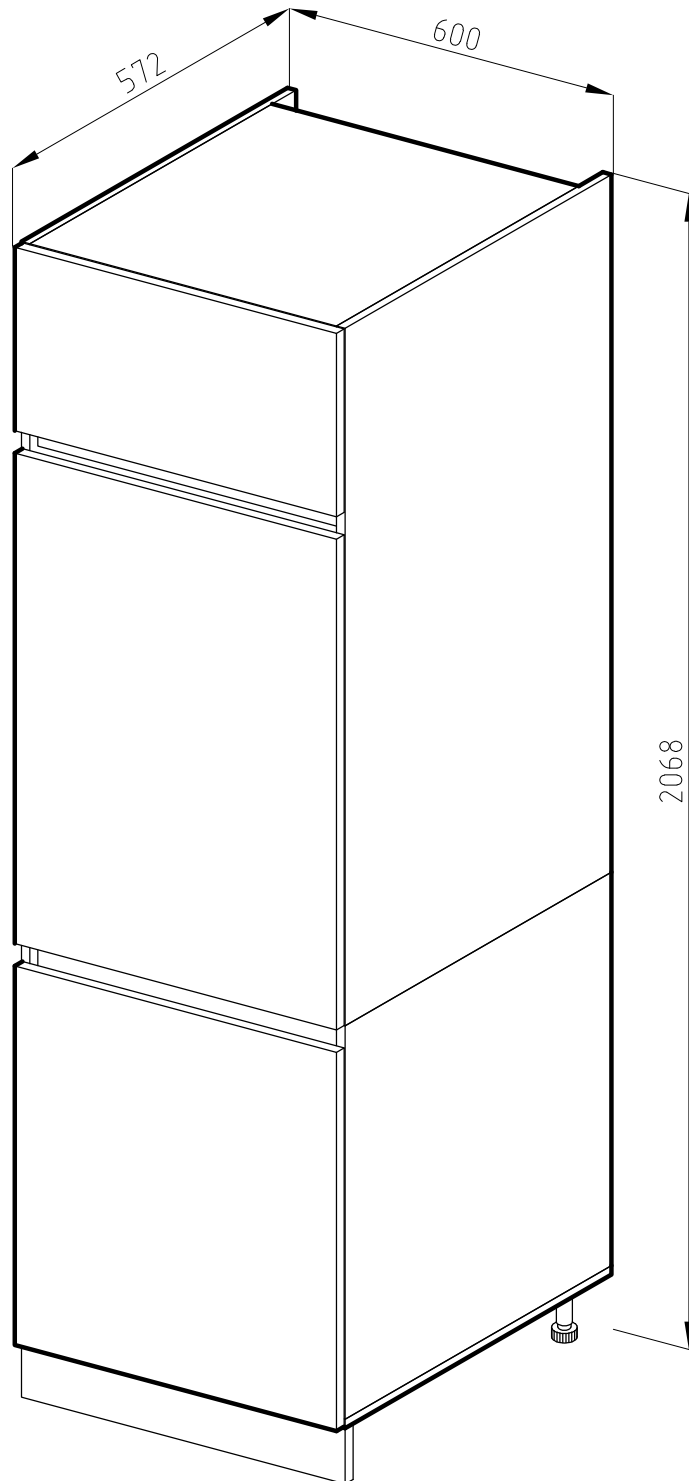


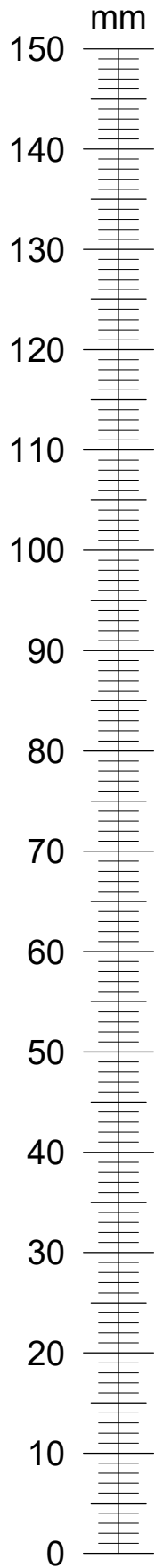
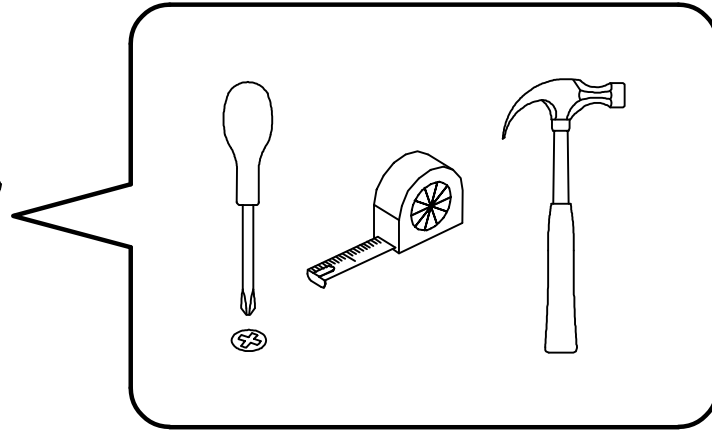
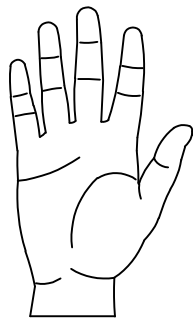
18




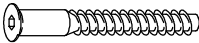
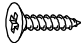



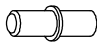
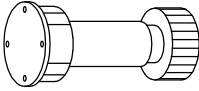
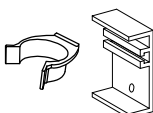
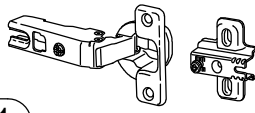
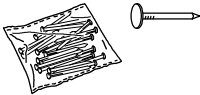
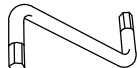





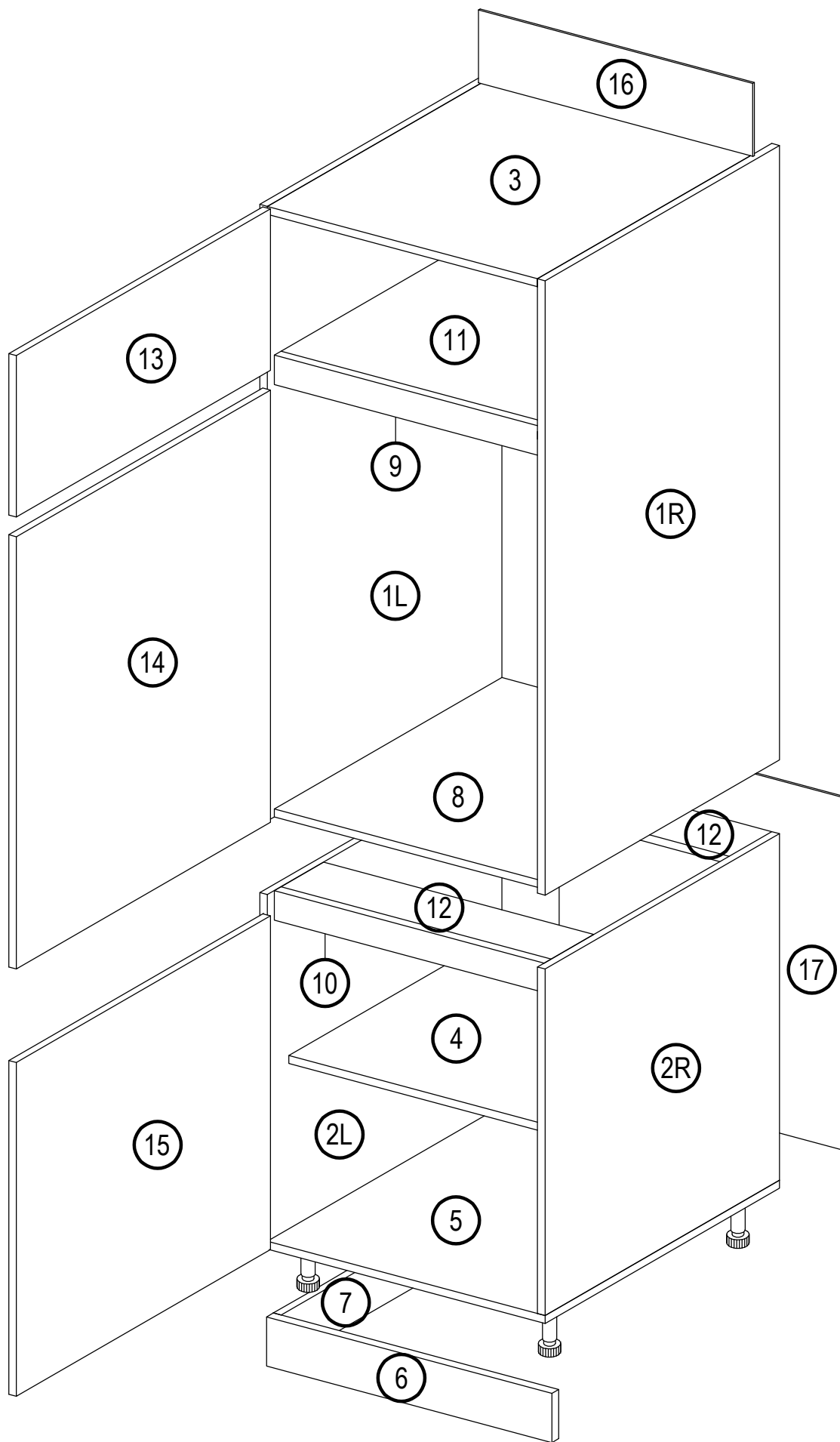
8/9, 9/9 N

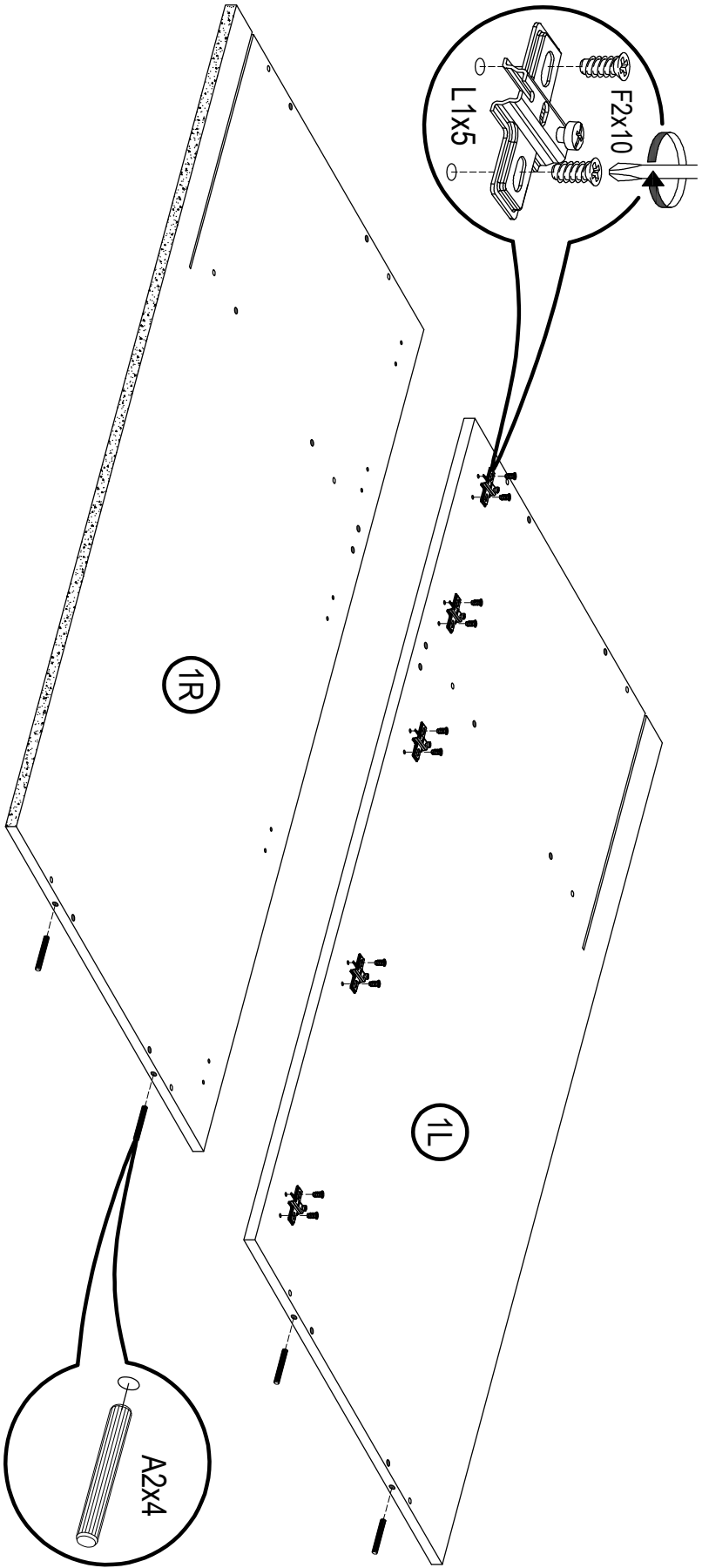


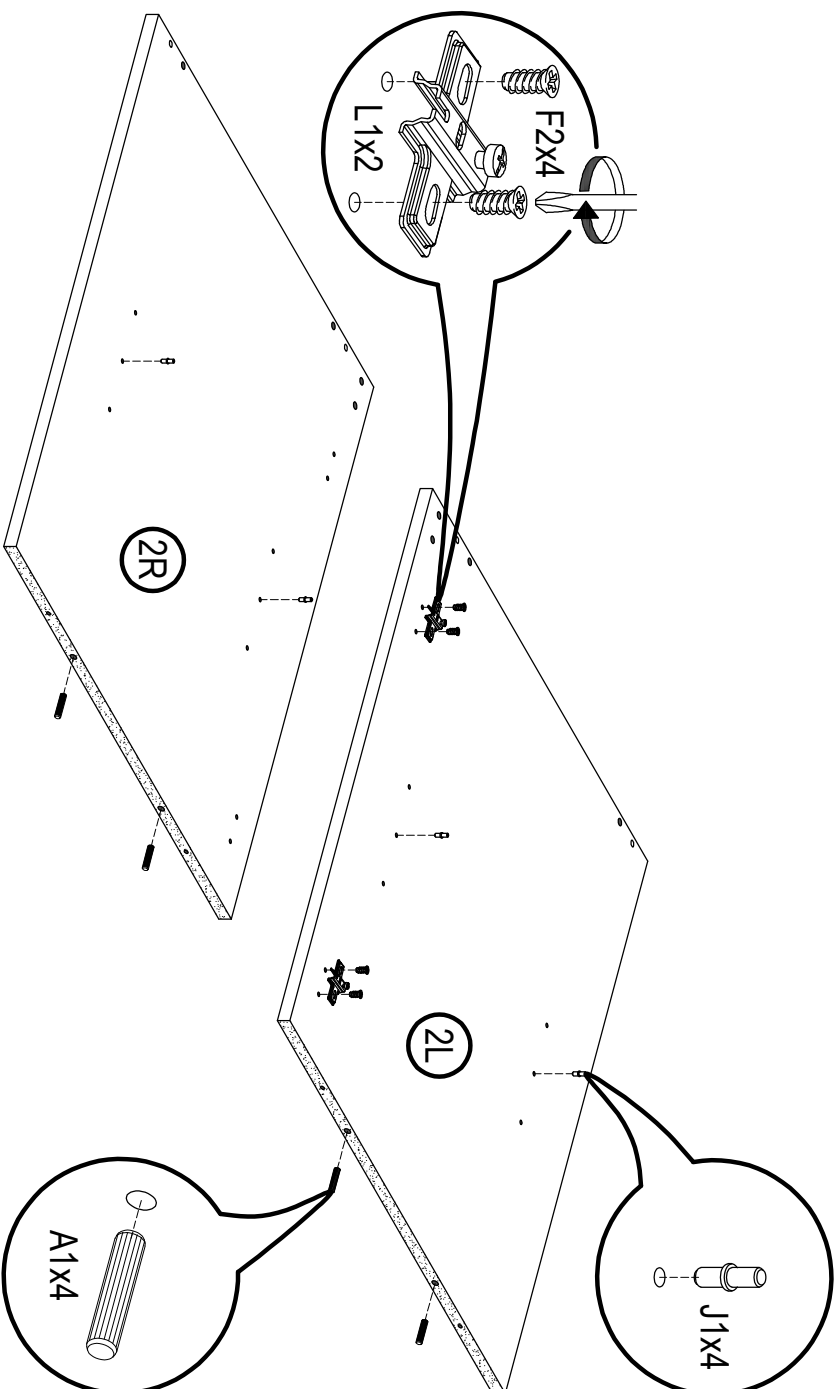


 A1 8*30mm x28	 A2 8*50mm x4	 B ϕ 12mm x20
 B1 6,3*50mm x20	 E9 4*16mm x38	 E10 4*30mm x8
 F2 6,3*13mm x14	 H2 x2	 J1 5*16mm x4
 K2 x4	 K3 x4	 L1 x7
 R3 1.4*25mm 0.02kg	 R4 x1	 U3 x6

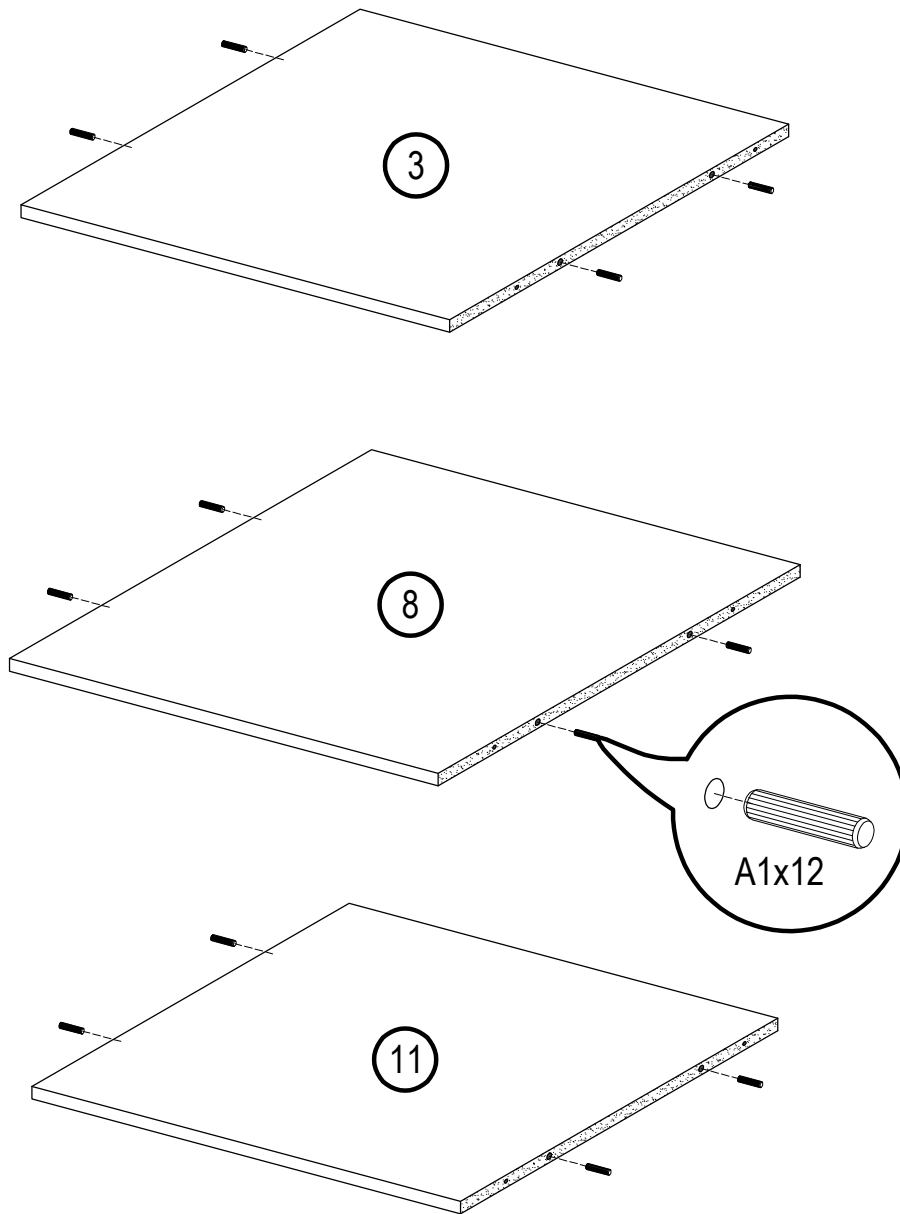
N°	a x b	x	N°	a x b	x
8,9-1R	1248x550	1	8,9-9	567x60	1
8,9-1L	1248x550	1	8,9-10	567x60	1
8,9-2R	704x550	1	8,9-11	567x468	1
8,9-2L	704x550	1	8,9-12	567x100	2
8,9-3	567x500	1	8,9-13	596x326	1
8,9-4	567x500	1	8,9-14	596x880	1
8,9-5	600x550	1	8,9-15	596x678	1
8,9-6	600x96	1	8,9-16	577x322	1
8,9-7	517x96	1	8,9-17	596x716	1
8,9-8	567x534	1			



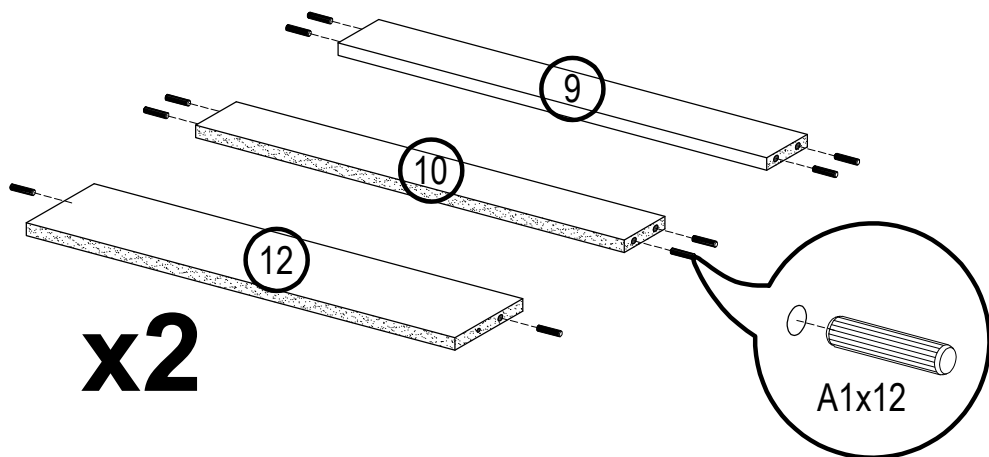




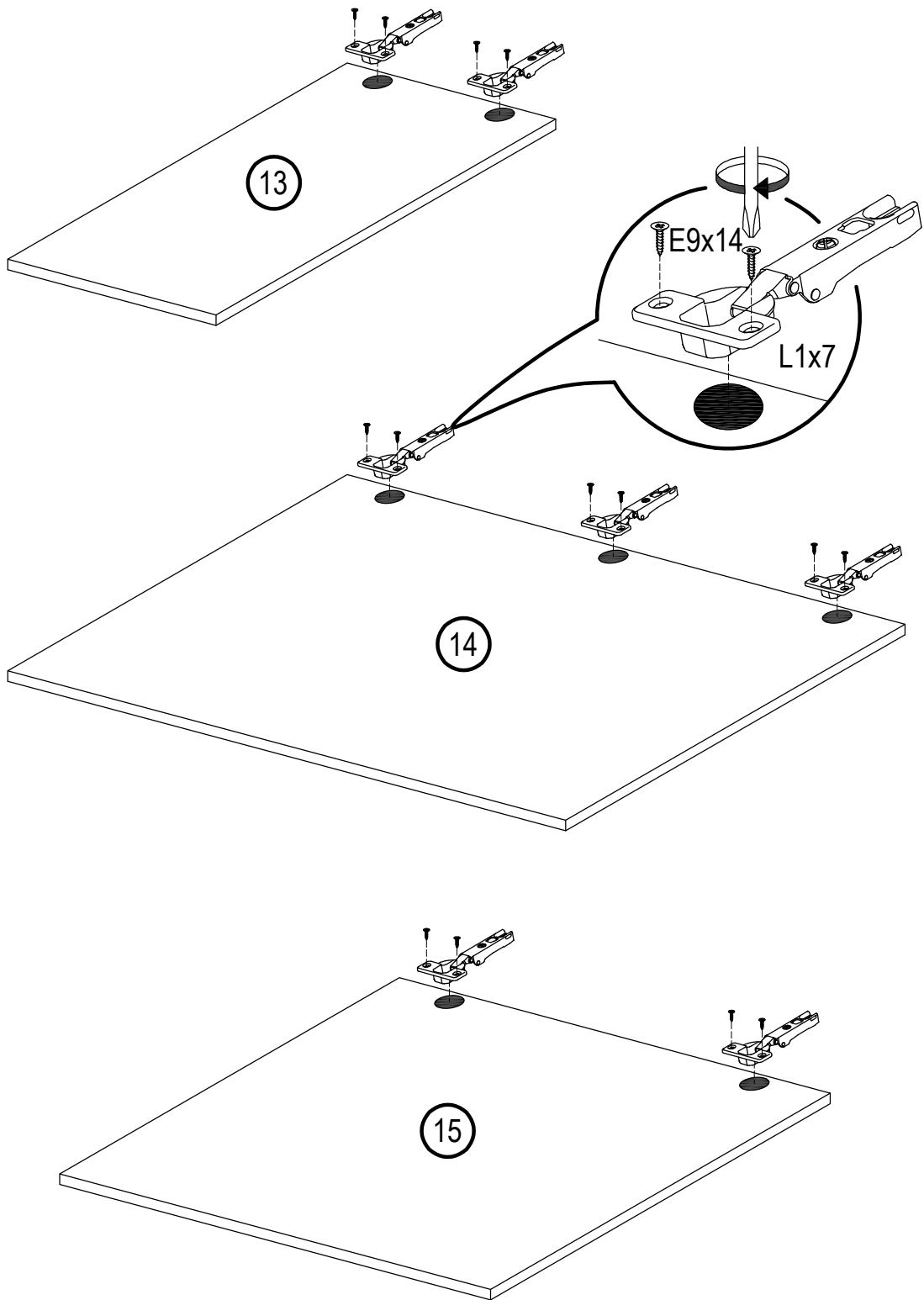
3

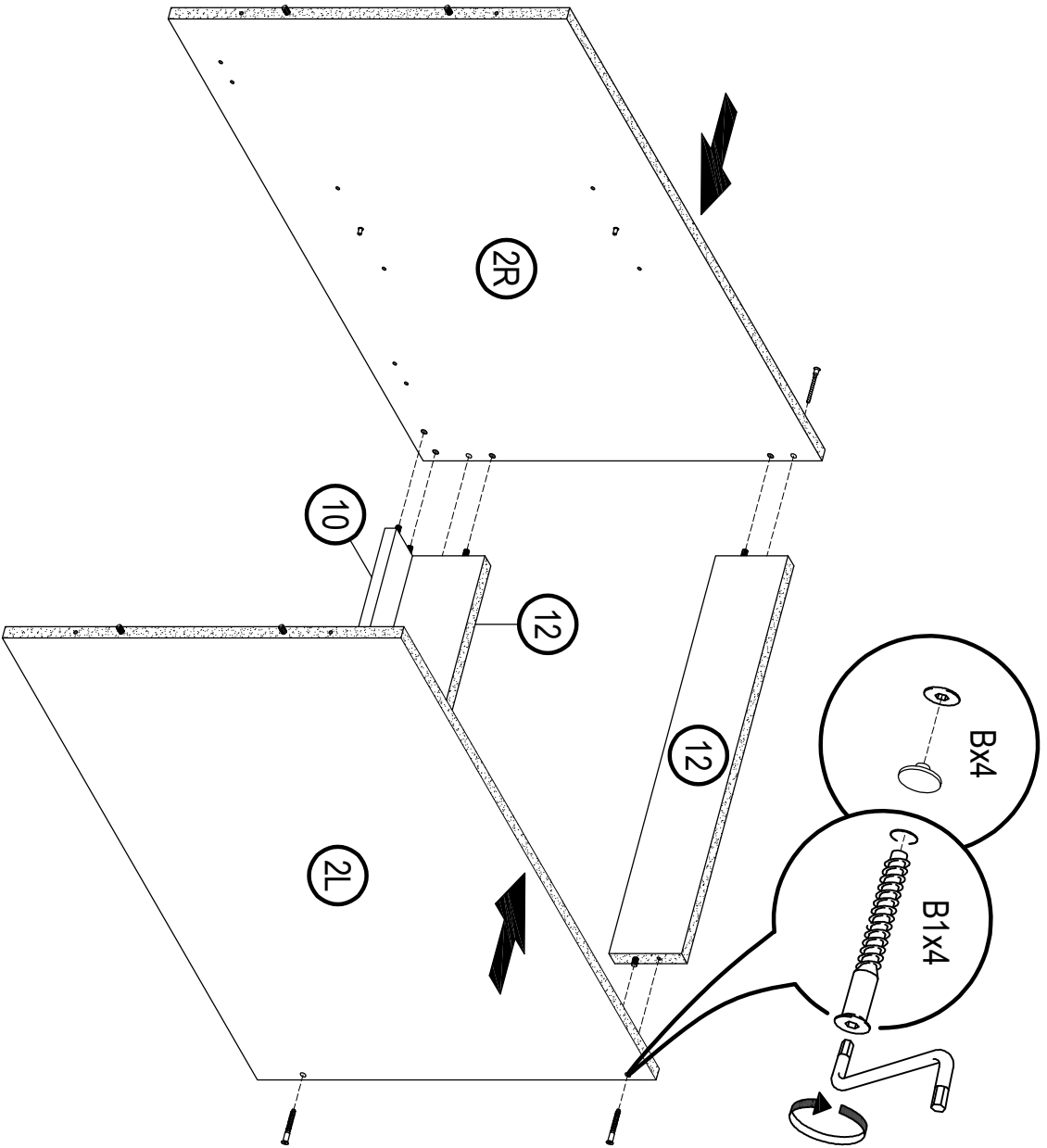


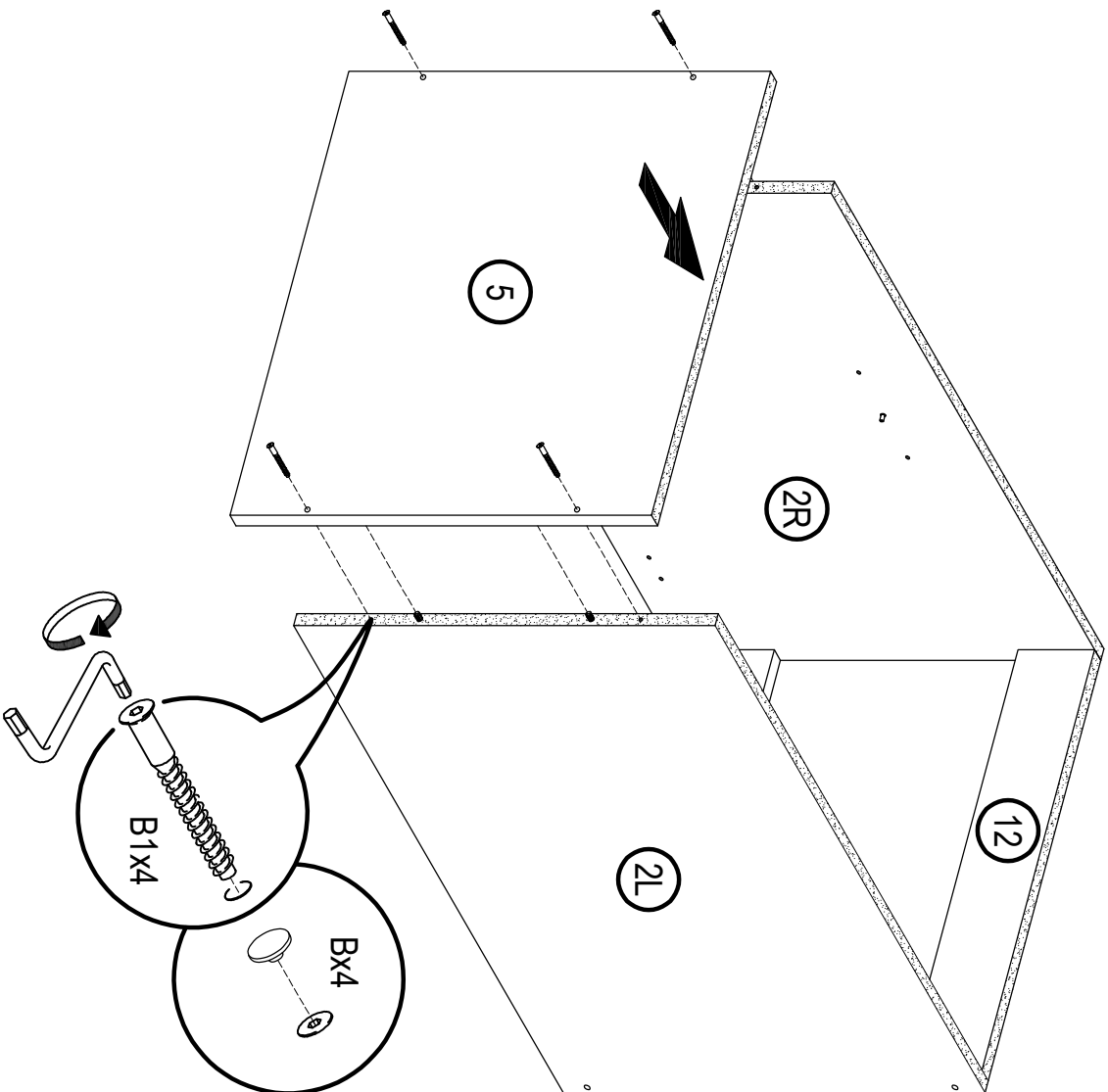
4

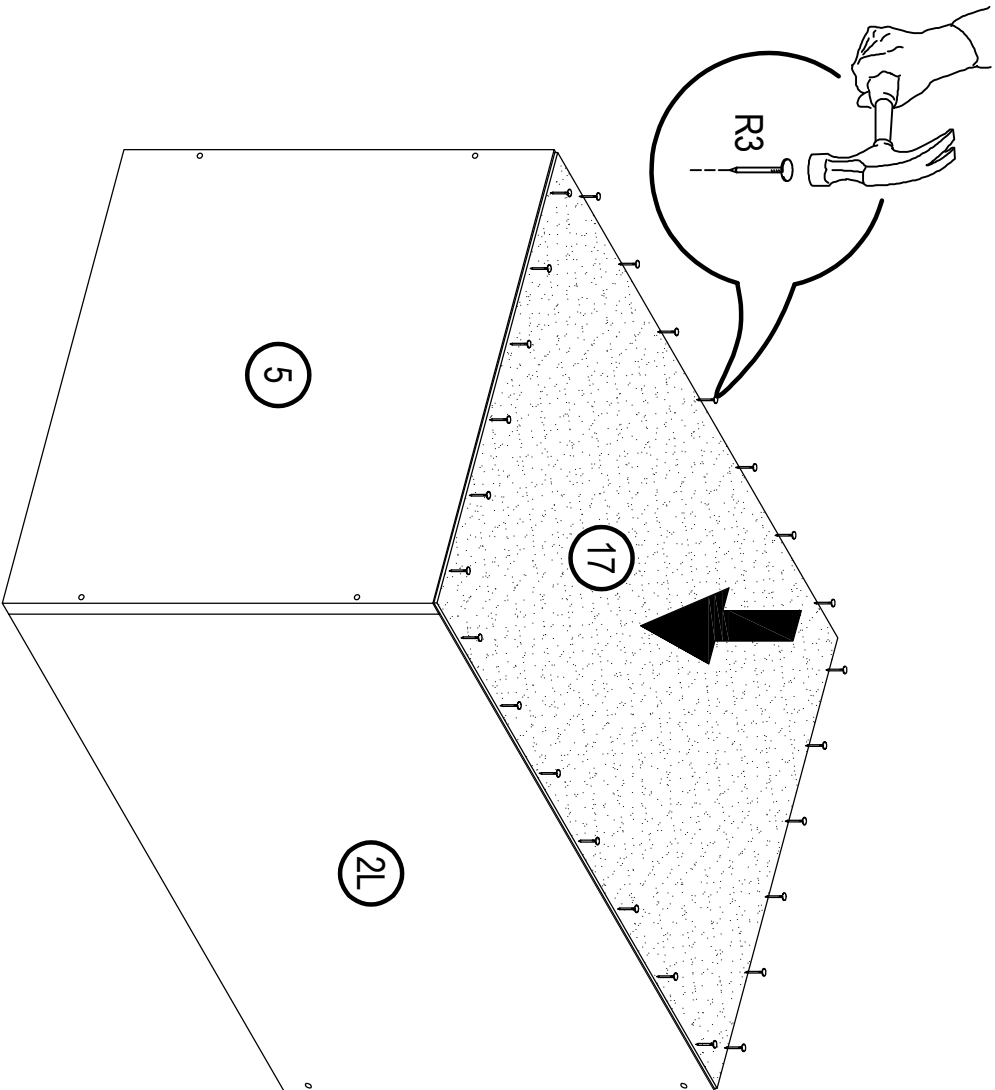
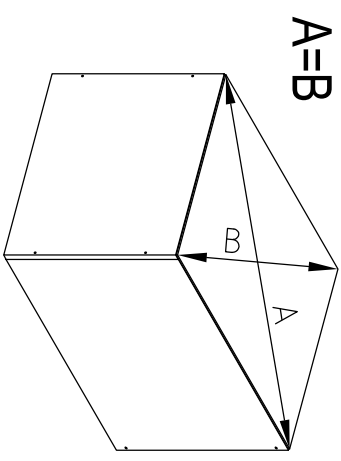


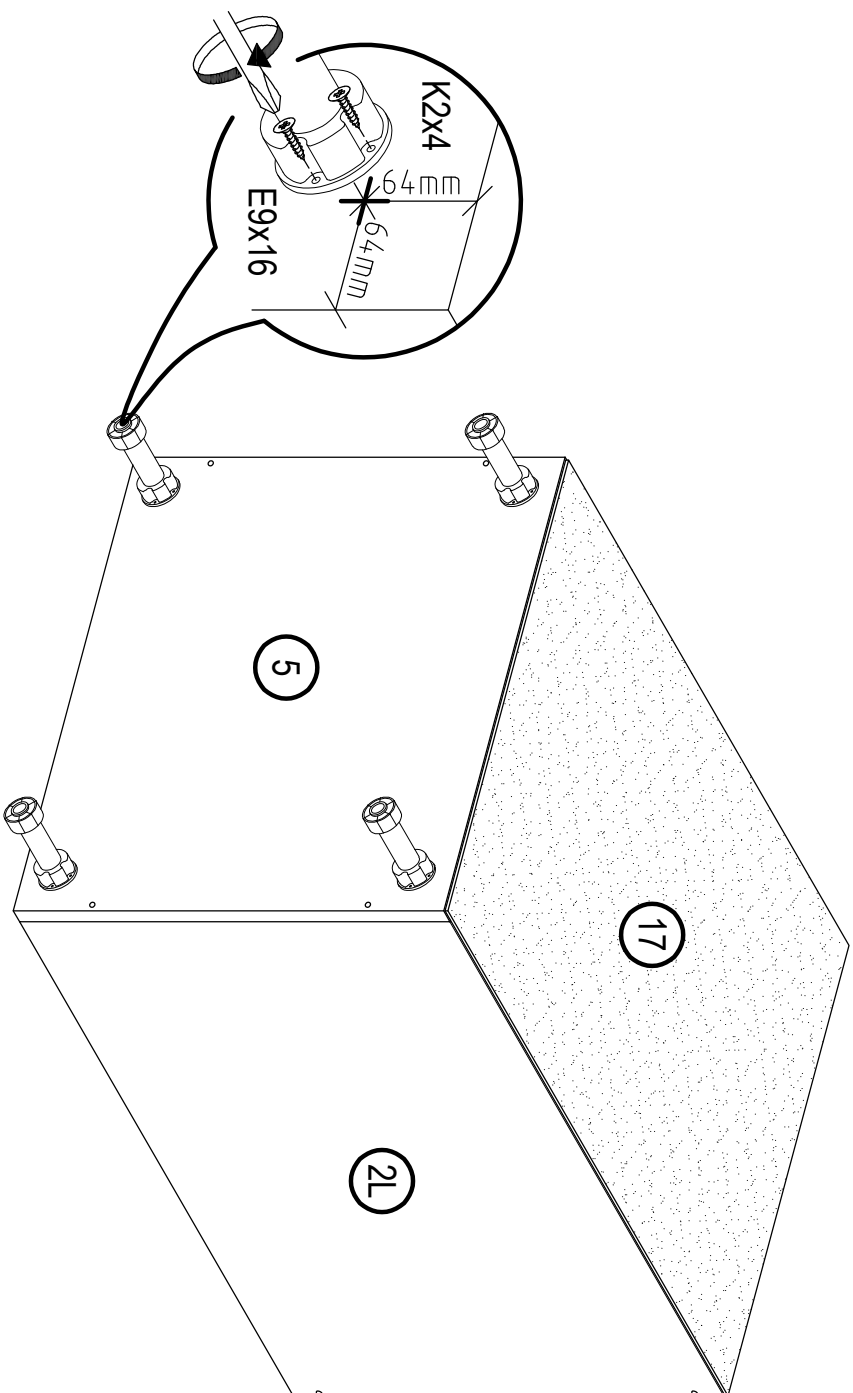
5



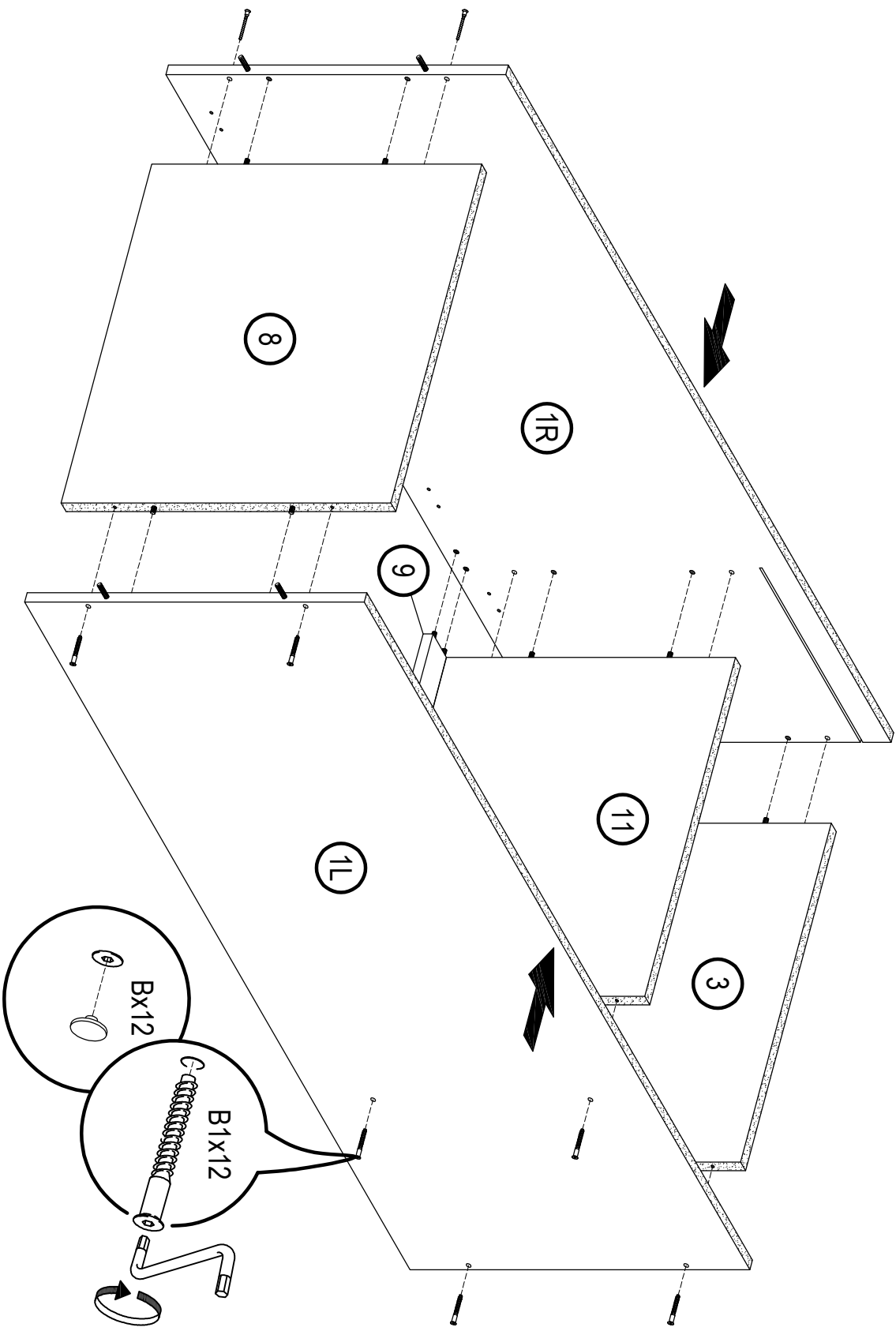




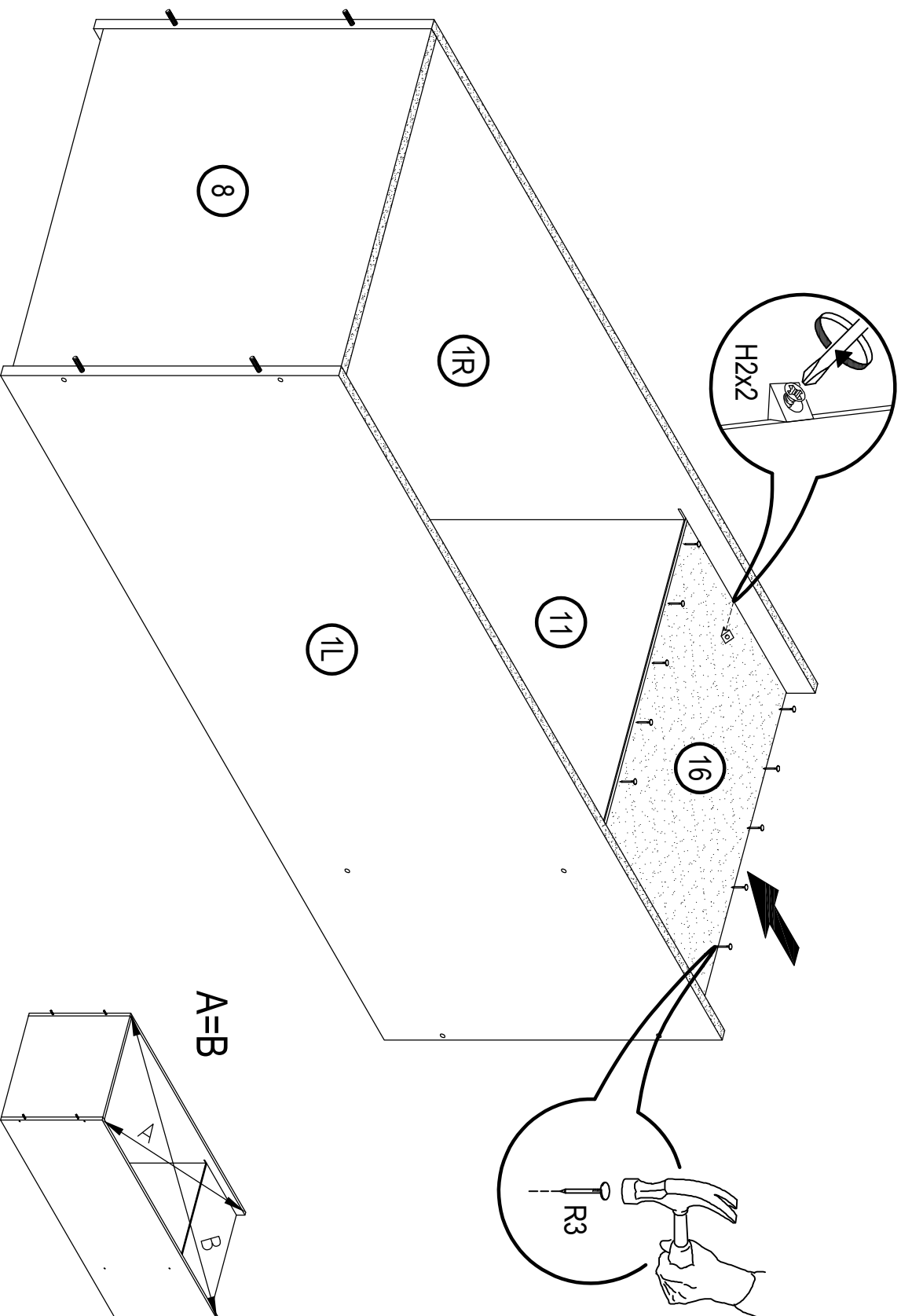




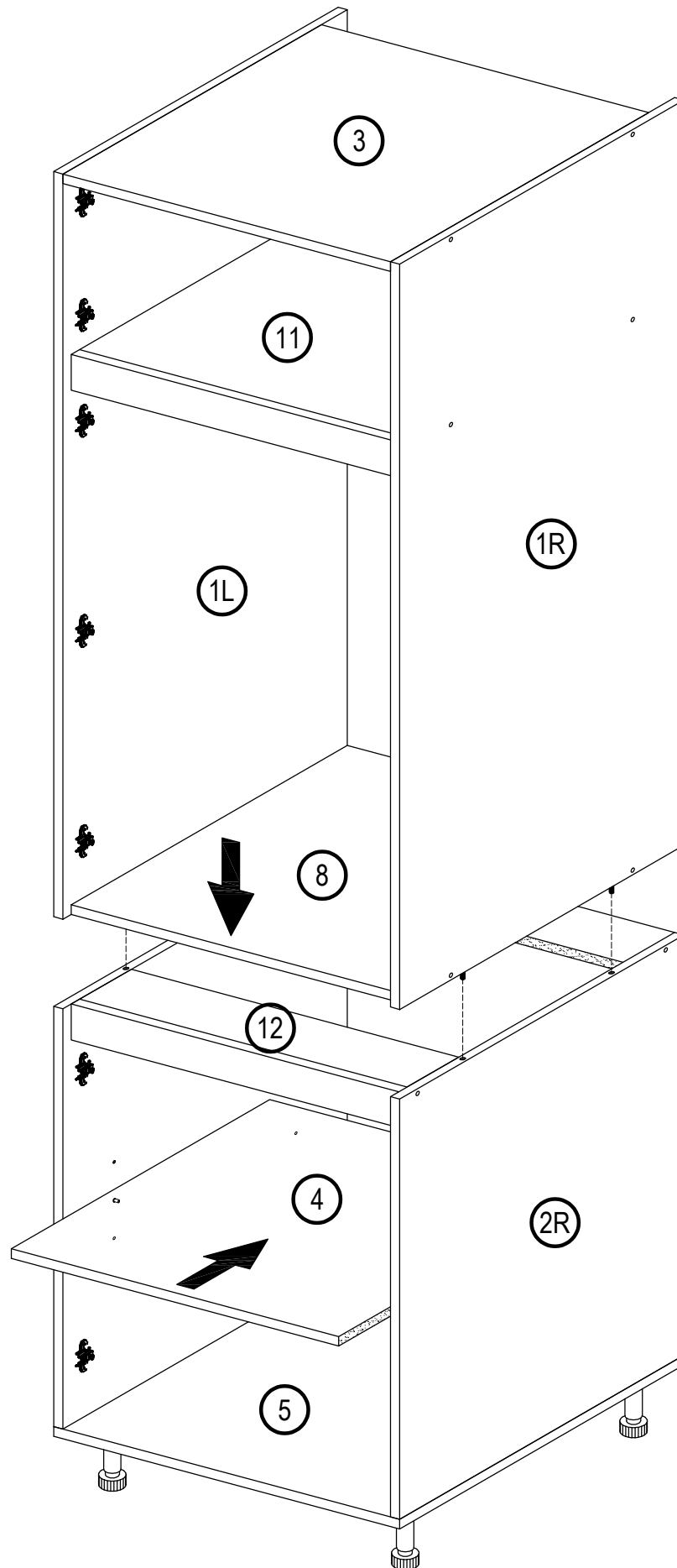
10



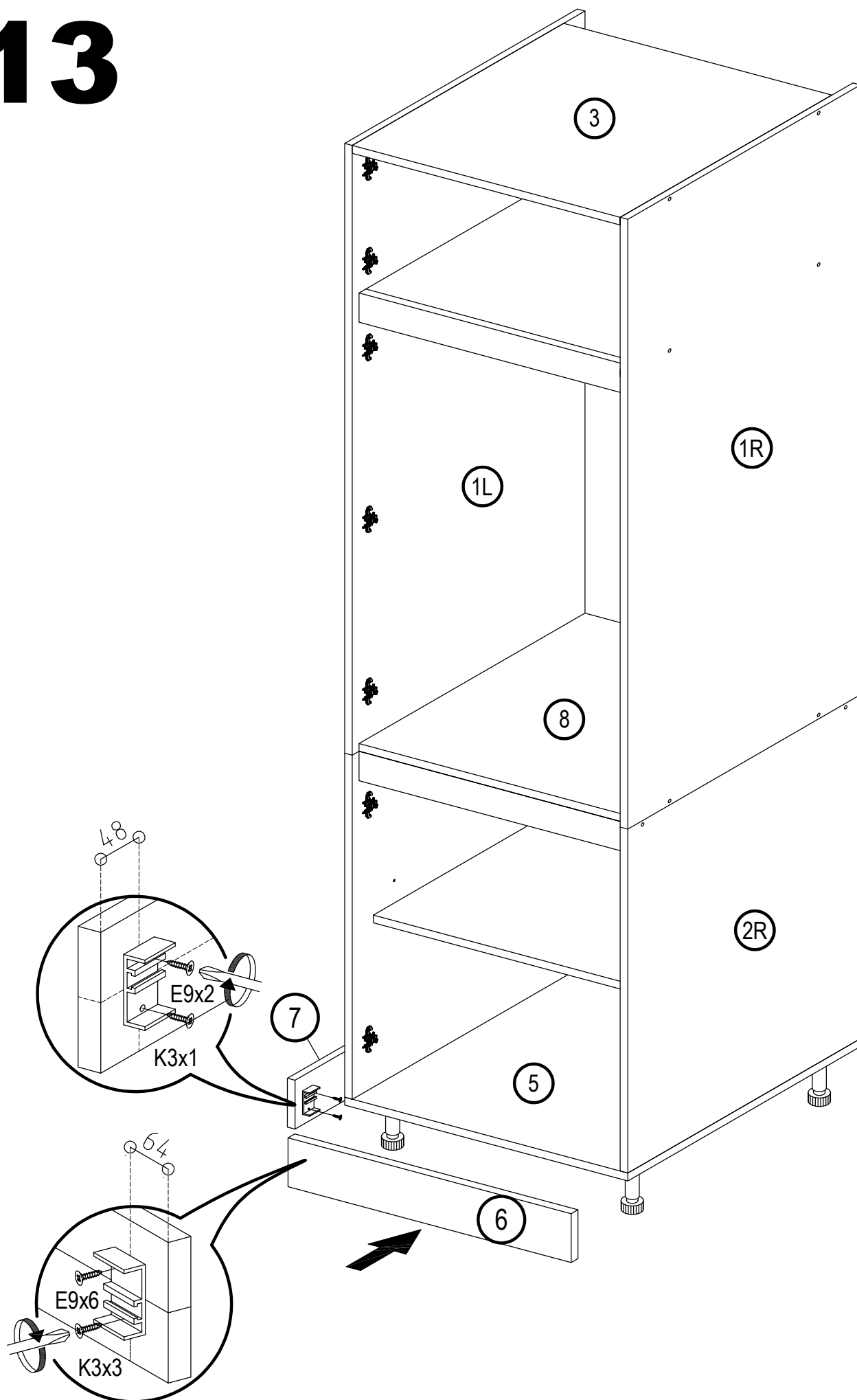
11



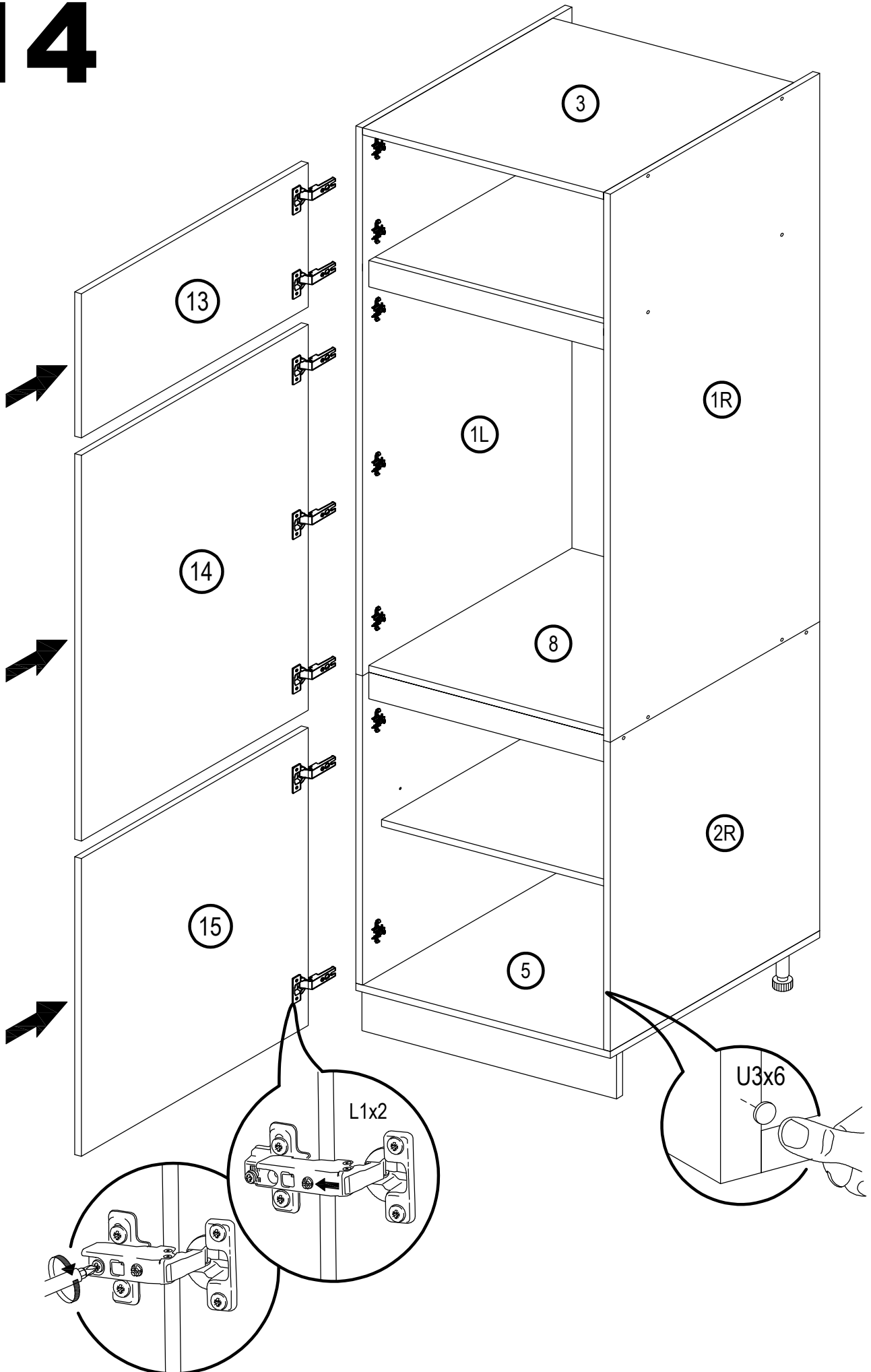
12

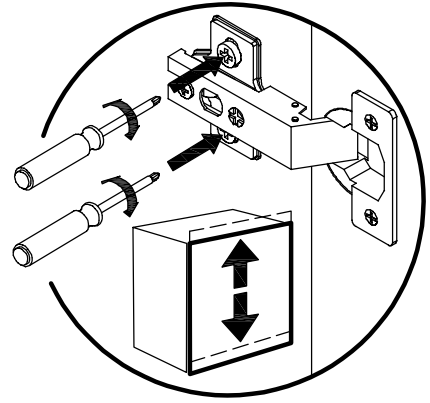
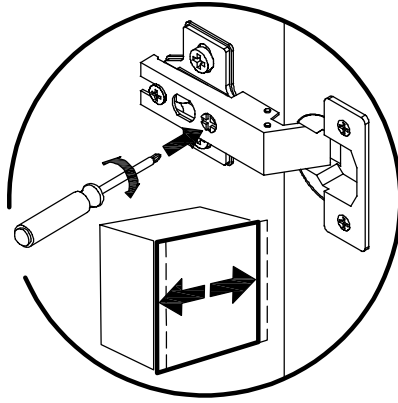
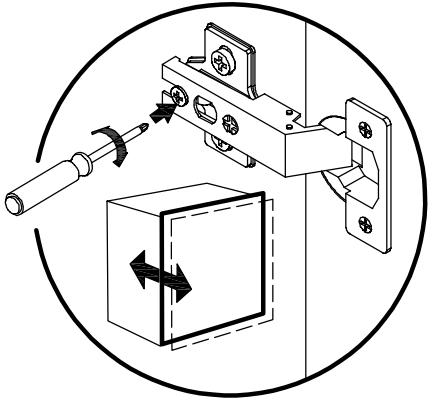
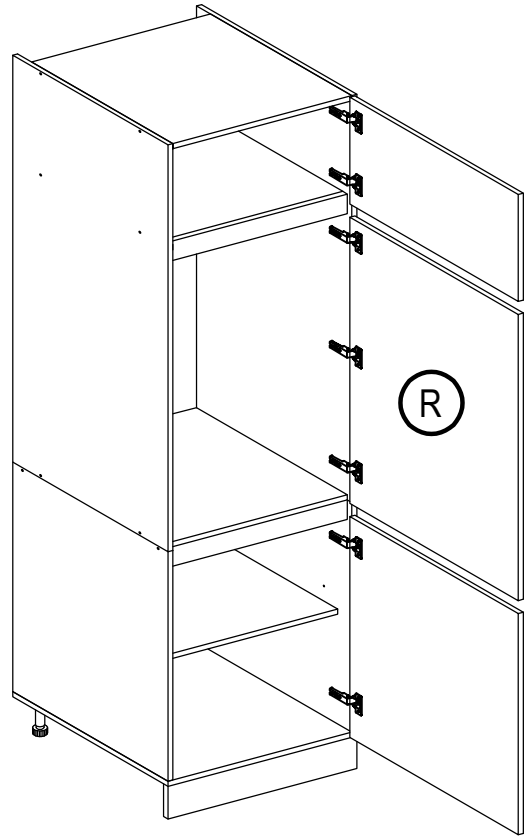
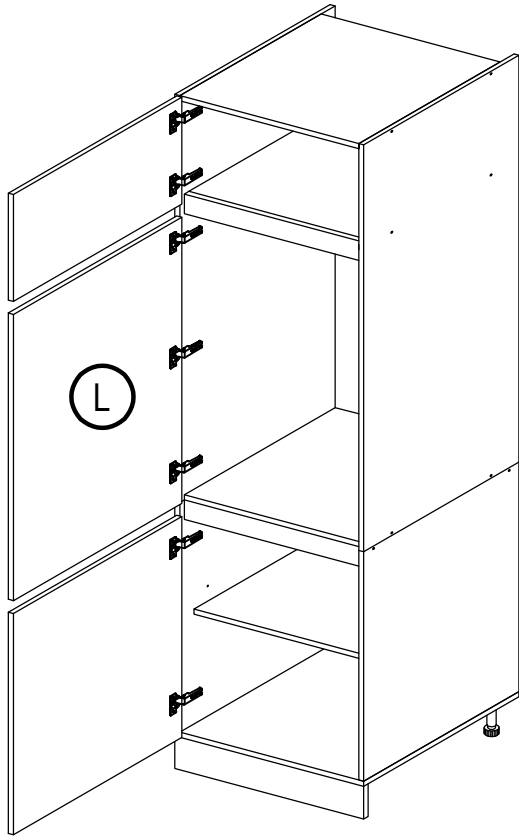


13



14





15

