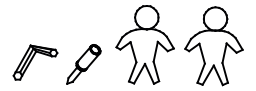
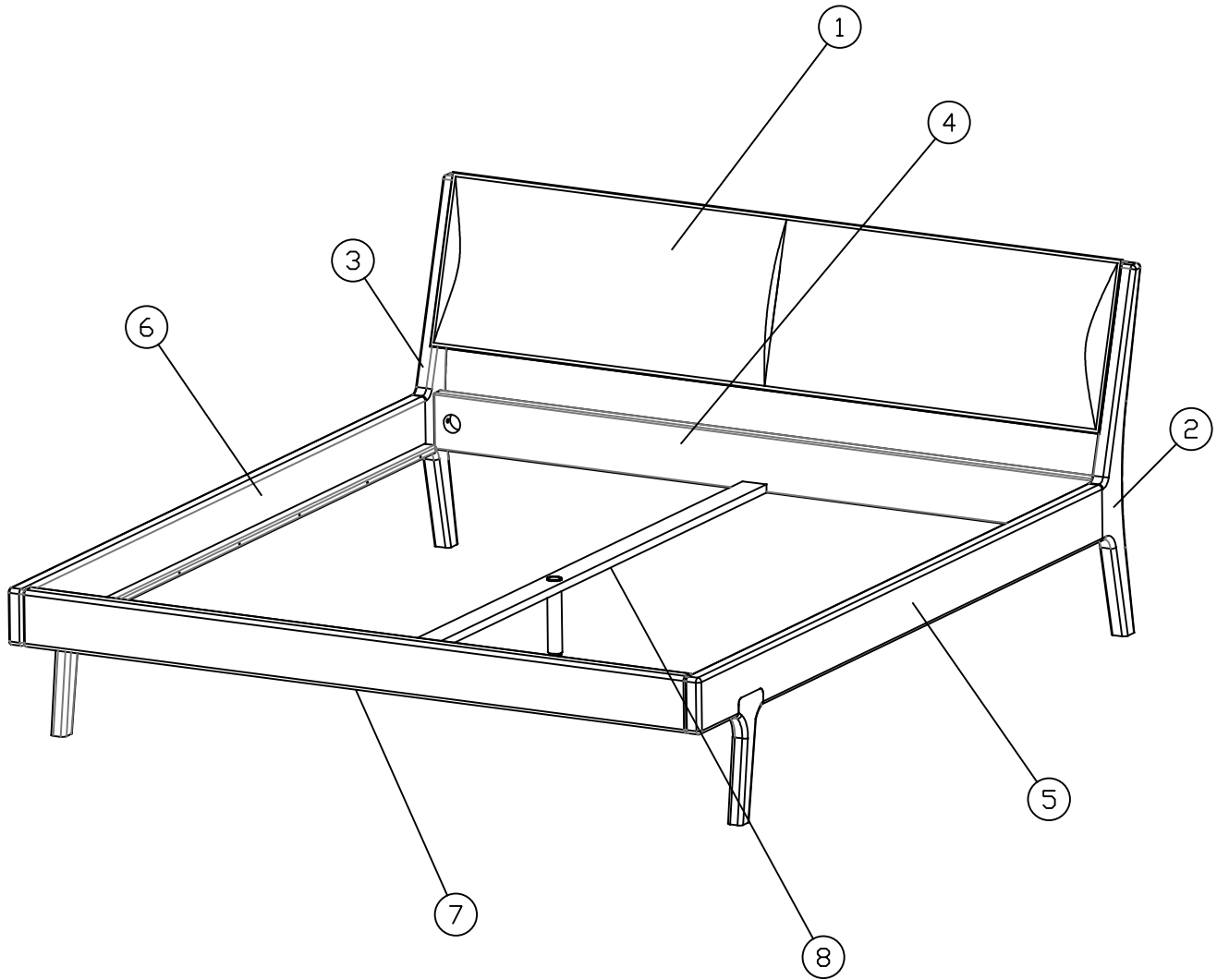












# BED WIEN

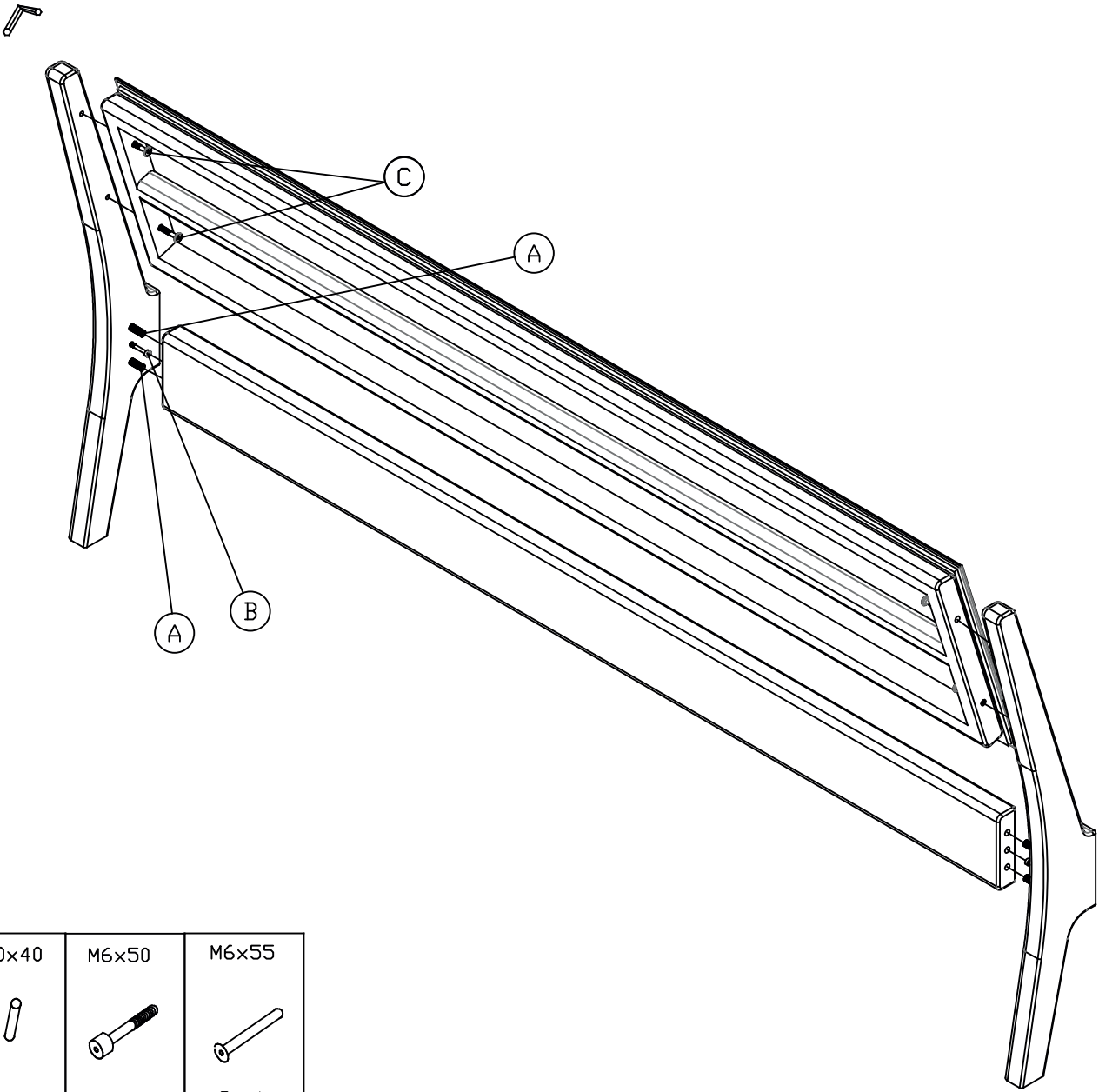




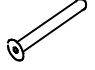
40 Minutes



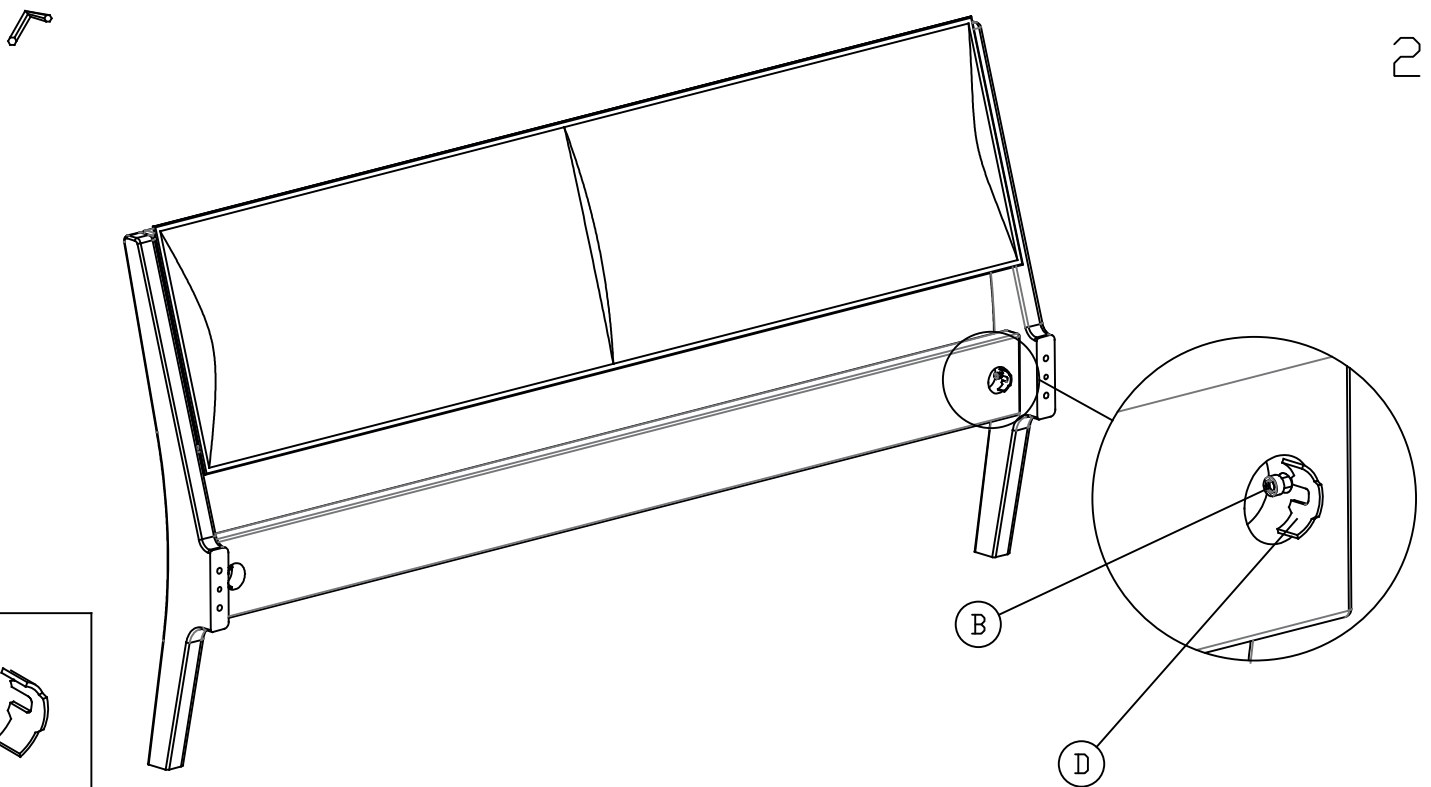
<p>Ø10x40</p>  <p>Ax12</p>	<p>M6x50</p>  <p>Bx6</p>	<p>M6x55</p>  <p>Cx4</p>	 <p>Dx6</p>	 <p>Ex2</p>	 <p>Fx2</p>	 <p>Gx2</p>	<p>3,5x20</p>  <p>Hx14</p>	<p>SW 5</p>  <p>1x</p>	<p>SW 4</p>  <p>1x</p>
--	---	---	--	--	--	---	---	---	---


1.



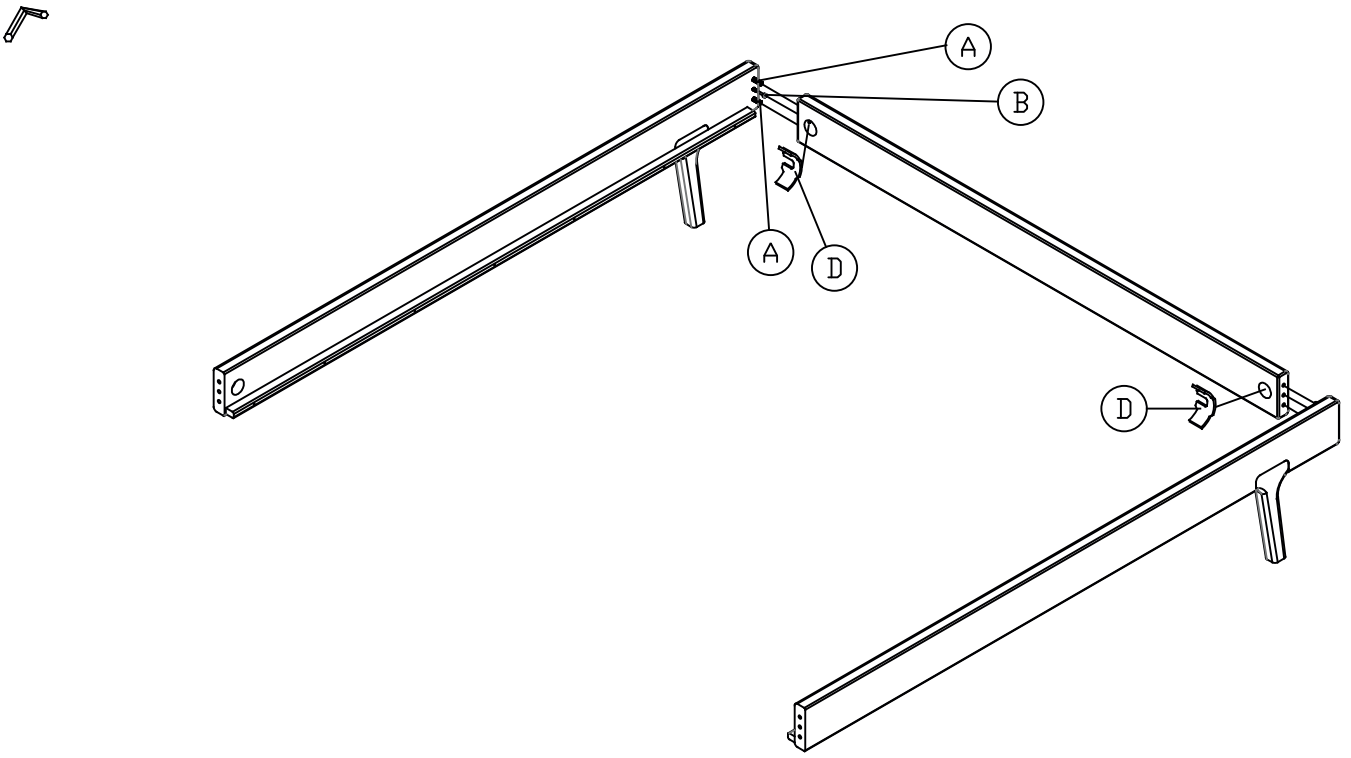
Ø10x40	M6x50	M6x55
		
Ax4	Bx2	Cx4

2.




Dx2

3.



Ø10x40

M6x50

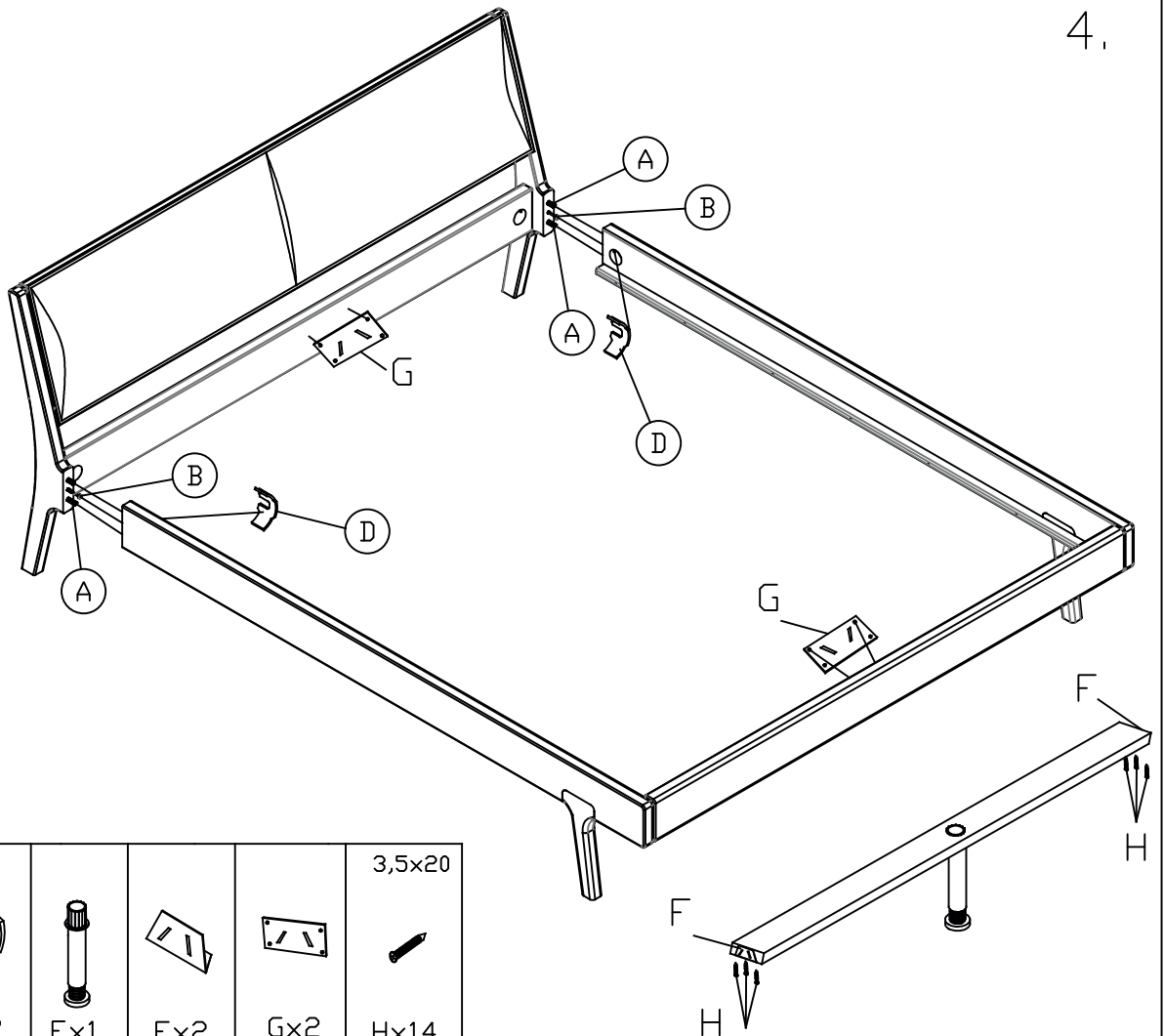
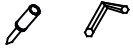


Ax4

Bx2

Dx2

4.



Ø10x40

M6x50

3,5x20



Ax4

Bx2

Dx2

Ex1

Fx2

Gx2

Hx14