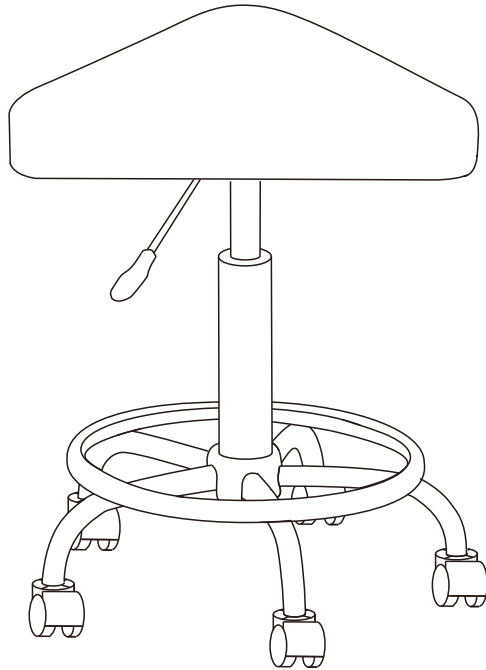


# Assembly Instructions / Navodila za montažo/Montageanleitungen

## UPPER



NO	PARTS	QTY
A		1
B		1
C		1
D		5
E		4
F		1
G		1
H		1

### NOTICE!



Pls remove the black protective cap from gas lift before assembling.

