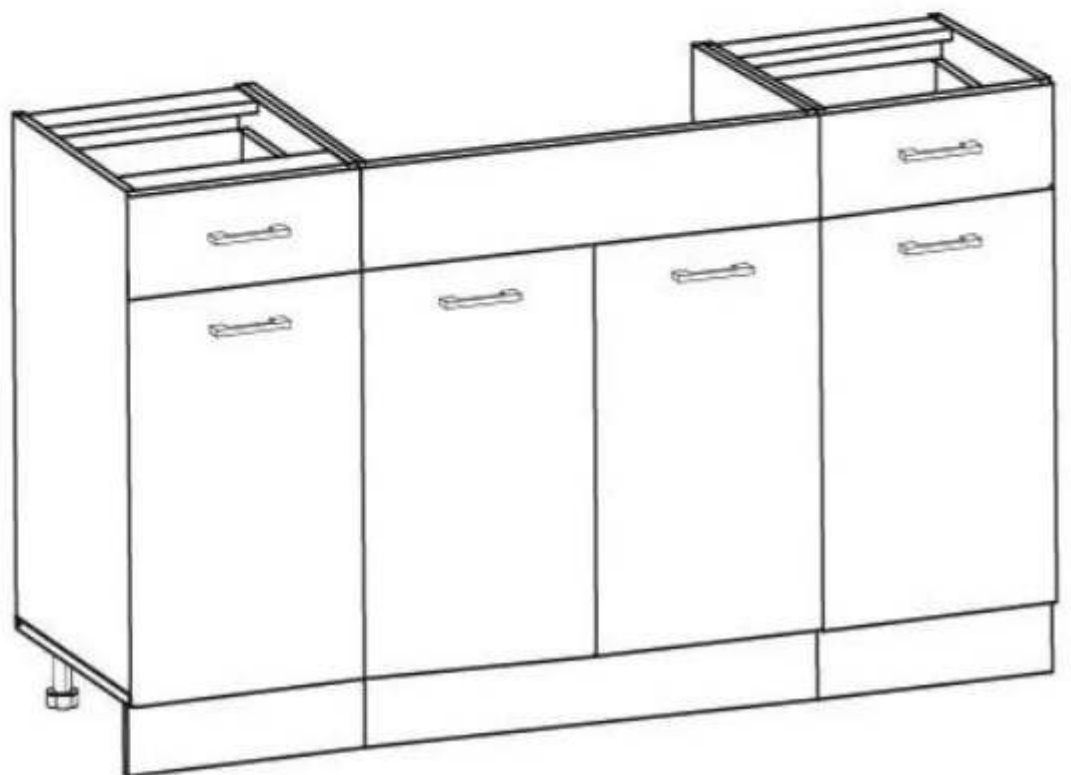
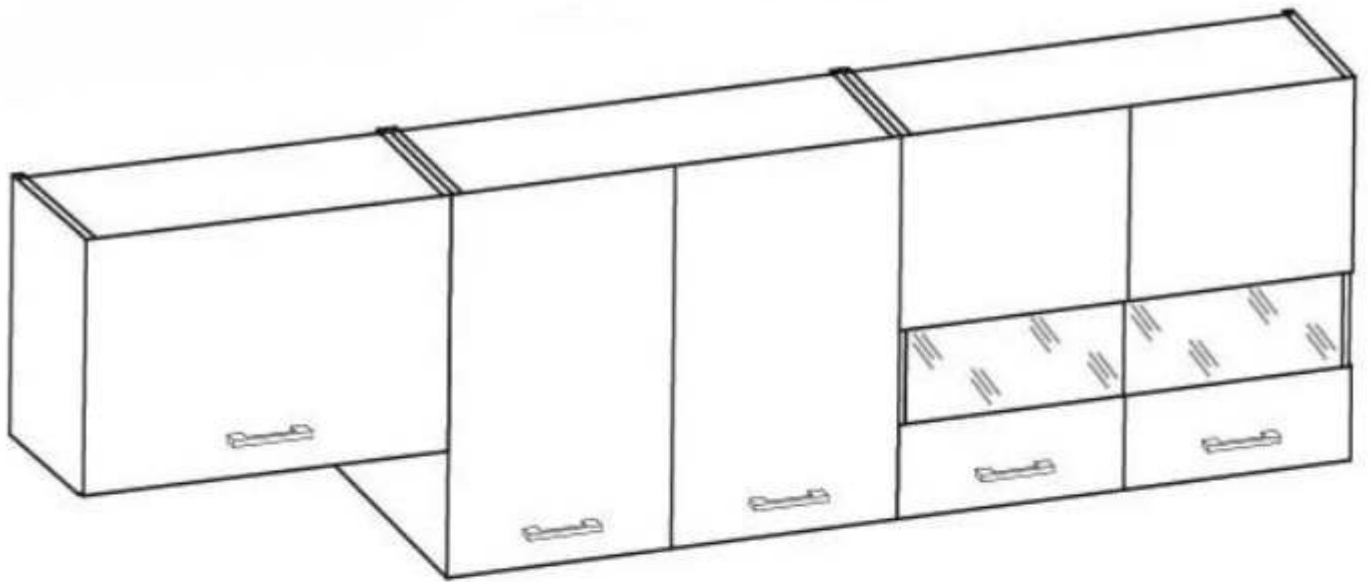
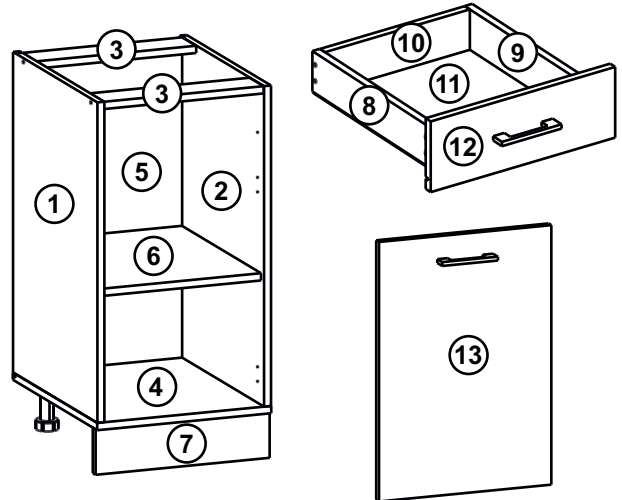
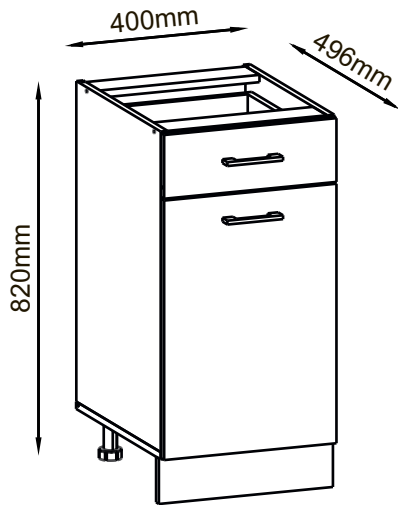


# MALIK 220

---

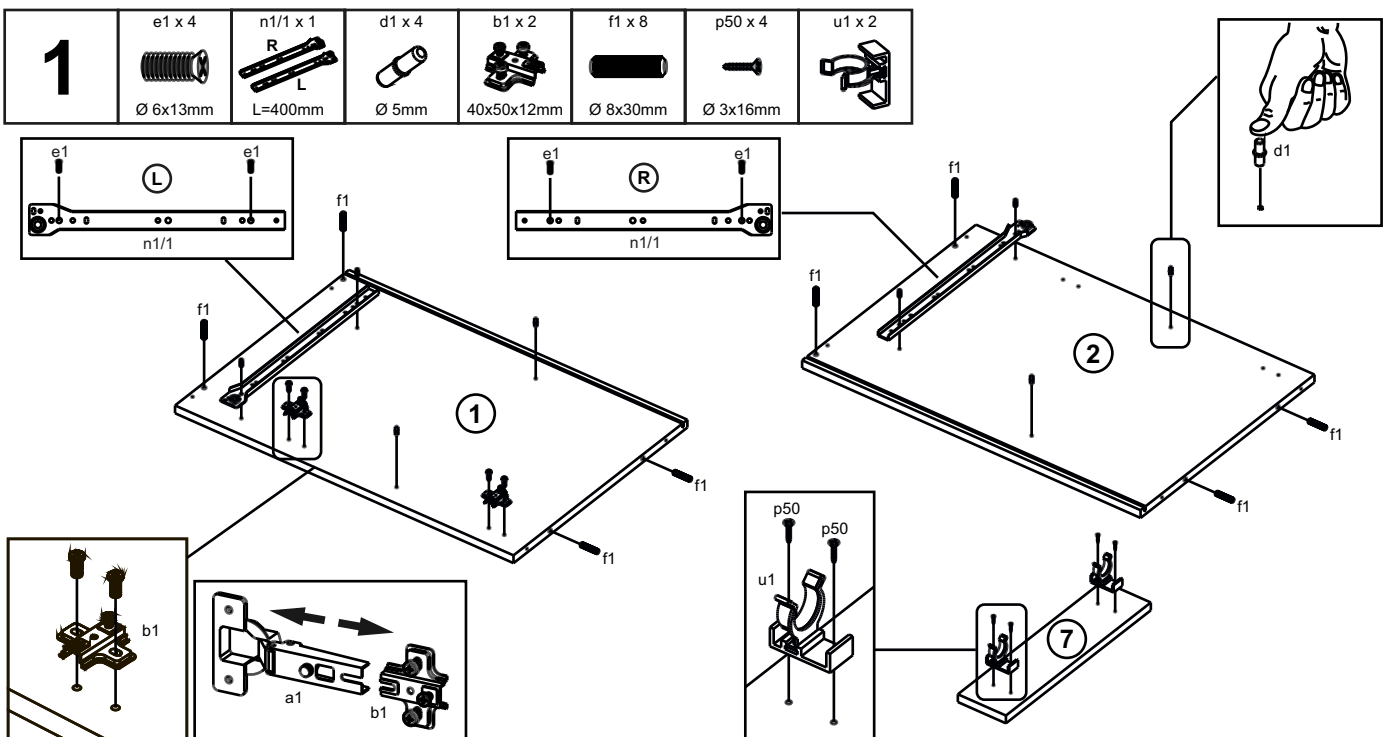
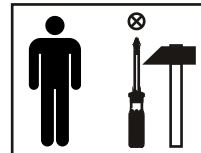


# MALIK D40s2



1x 4mm  <b>z1</b>	12x  Ø 6,3x50mm <b>e27</b>	12x Ø 12mm  <b>s3</b>
8x Ø 8x30mm  <b>f1</b>	4x 45mm  <b>r23</b>	4x Ø 15x12mm  <b>r1</b>
4x Ø 20mm  <b>s1</b>	2x Ø 35mm  <b>ab1</b>	4x Ø 5mm  <b>d1</b>
1x L=400mm R L  <b>n1/1</b>	1x L=400mm R L  <b>n1/2</b>	2x L=96/128mm  <b>c238</b>
4x h=100mm  <b>k52</b>	2x  <b>u1</b>	7x 10x10x15mm  <b>i2</b>
10x Ø 2x20mm  <b>g1</b>	24x Ø 3x16mm  <b>p50</b>	4x Ø 3,5x16mm  <b>p51</b>
4x Ø 4x25mm  <b>p26</b>		4x Ø 6x13mm  <b>e1</b>

A	B (mm)		C	D	
1	704	480	16	x1	4/7
2	704	480	16	x1	4/7
3	367	80	16	x2	4/7
4	400	480	16	x1	4/7
5	710	382	2.5	x1	4/7
6	366	450	16	x1	4/7
7	400	100	16	x1	4/7
8	400	80	16	x1	4/7
9	400	80	16	x1	4/7
10	311	80	16	x1	4/7
11	406	342	2.5	x1	4/7
12	396	140	16	x1	7/7
13	570	396	16	x1	7/7



<b>2</b>	z1 x 1 4mm	e27 x 4 Ø 6,3x50mm	s3 x 4 Ø 12mm
----------	---------------	-----------------------	------------------

<b>3</b>	z1 x 1 4mm	e27 x 4 Ø 6,3x50mm	s3 x 4 Ø 12mm
----------	---------------	-----------------------	------------------

<b>4</b>	g1 x 5 Ø 2x20mm	l2 x 7 10x10x15mm	p52 x 4 h=100mm
----------	--------------------	----------------------	--------------------

p50 x 16  
Ø 3x16mm

<b>5</b>	z1 x 1 4mm	e27 x 4 Ø 6,3x50mm	s3 x 4 Ø 12mm	r1 x 4 Ø 15x12mm	r23 x 4 45mm	s1 x 4 Ø 20mm	c238 x 1 L=96/128mm	p26 x 2 Ø 4x25mm	n1/2 x 1 R L L=400mm	p50 x 4 Ø 3x16mm	g1 x 5 Ø 2x20mm
----------	---------------	-----------------------	------------------	---------------------	-----------------	------------------	------------------------	---------------------	-------------------------------	---------------------	--------------------

**6**

a1 x 2



Ø 35mm

p51 x 4



Ø 3,5x16mm

c238 x 1

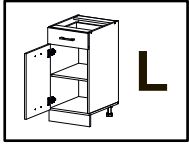
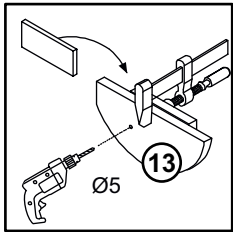
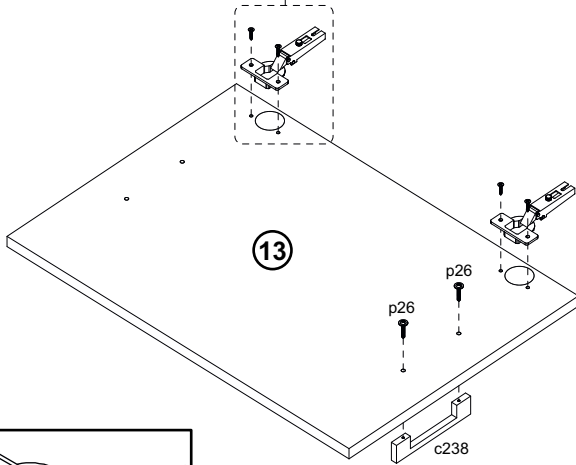
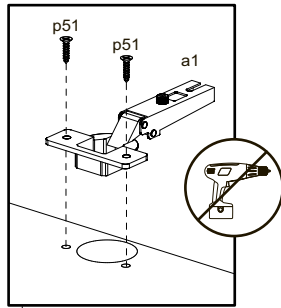
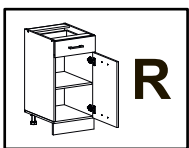
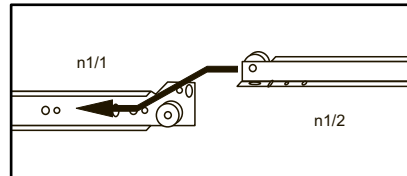
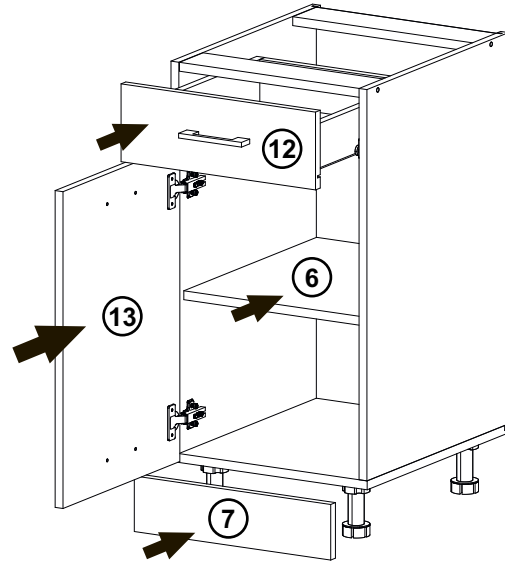
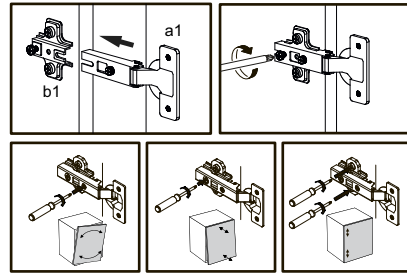
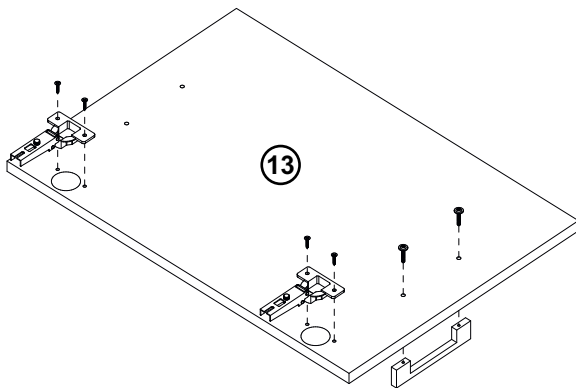


L=96/128mm

p26 x 2



Ø 4x25mm

**L****7****L****R****R**