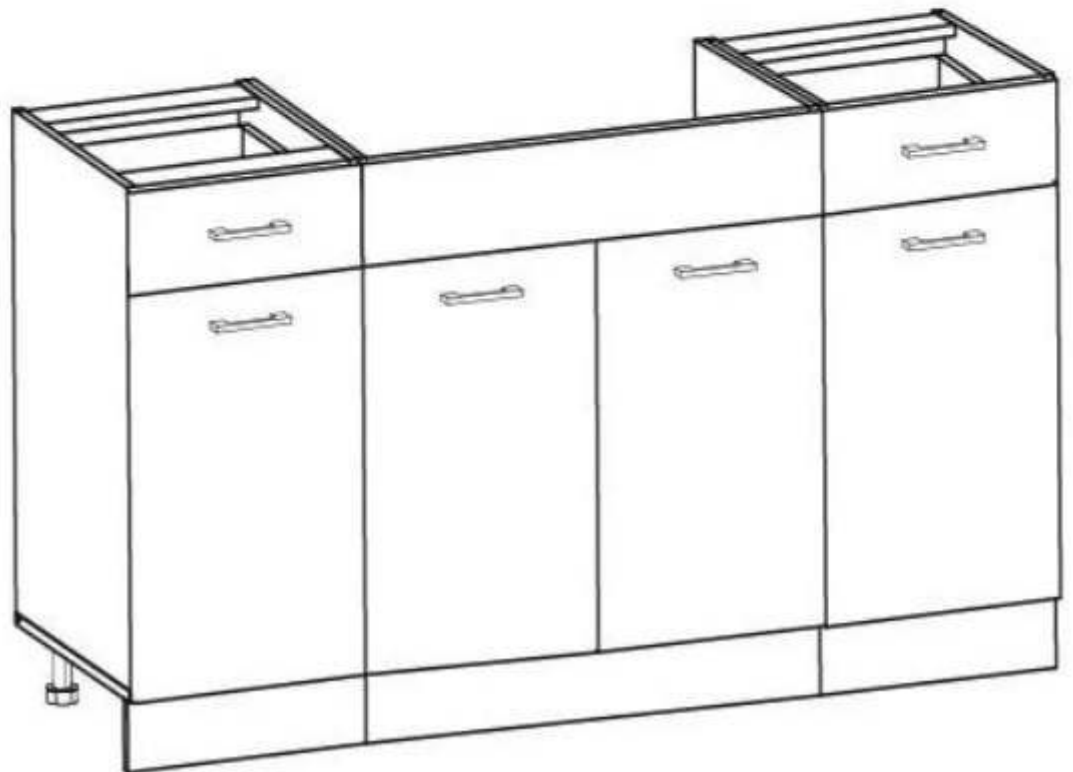
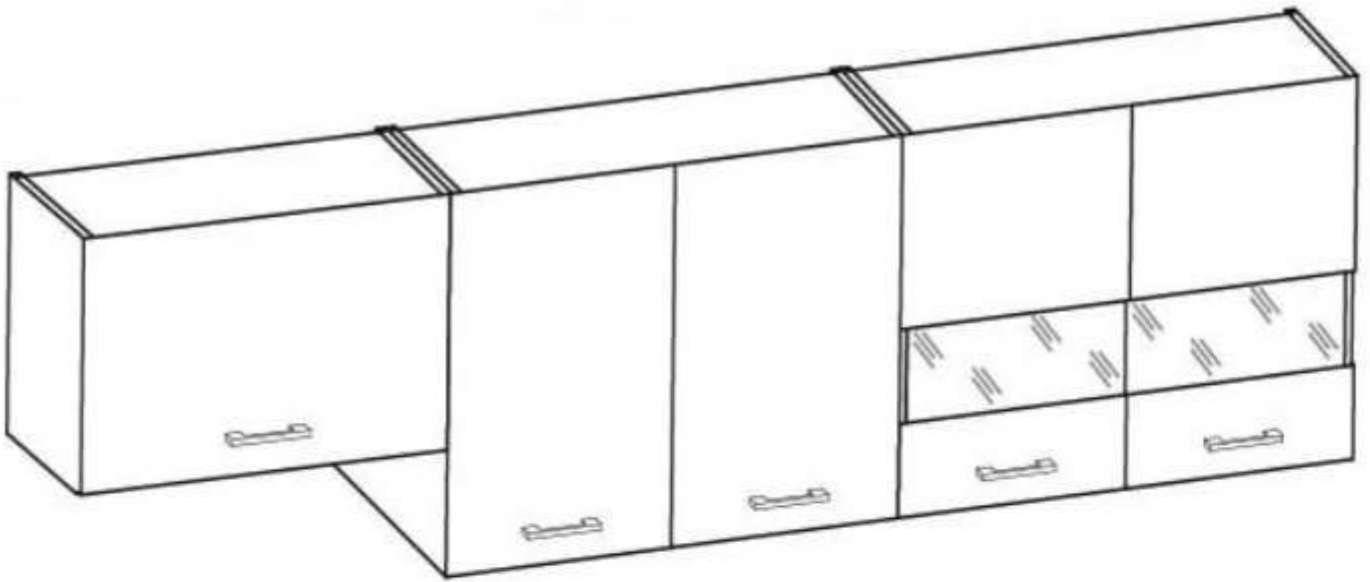
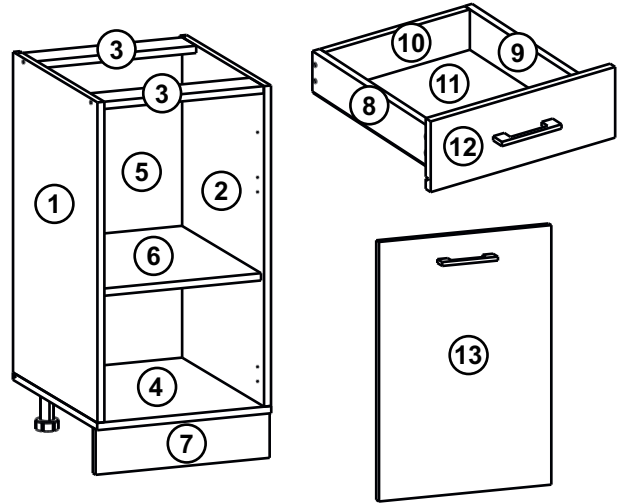
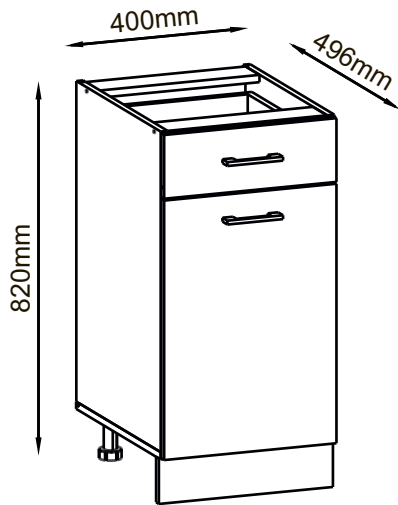


MALIK 220

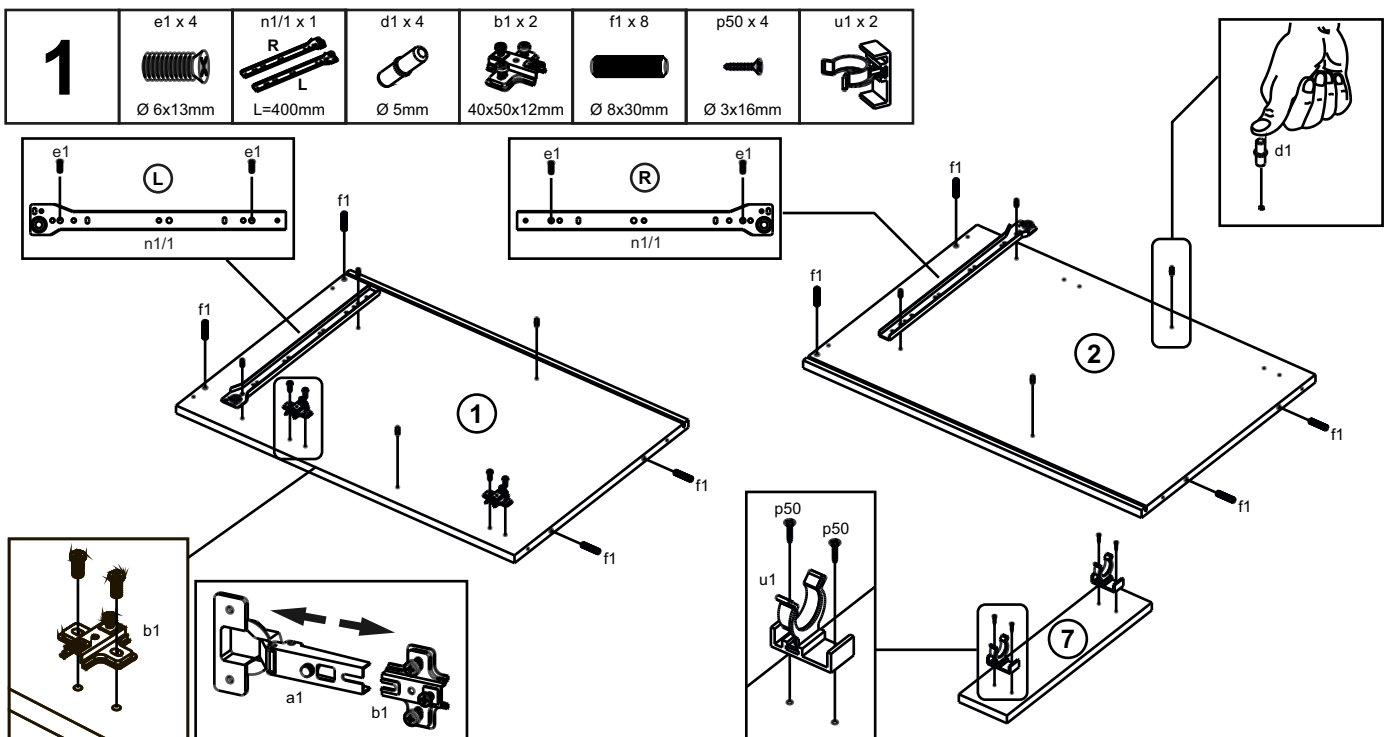
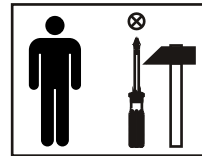


MALIK D40s1



1x 4mm z1	12x Ø 6,3x50mm e27	12x Ø 12mm s3
8x Ø 8x30mm f1	4x 45mm r23	4x Ø 15x12mm r1
4x Ø 20mm s1	2x Ø 35mm ab1	4x Ø 5mm d1
1x L=400mm n1/1	1x L=400mm n1/2	2x L=96/128mm c238
4x h=100mm k52	2x u1	7x 10x10x15mm i2
10x Ø 2x20mm g1	24x Ø 3x16mm p50	4x Ø 3,5x16mm p51
4x Ø 4x25mm p26		4x Ø 6x13mm e1

A	B (mm)		C	D
1	704	480	16	x1 5/7
2	704	480	16	x1 5/7
3	367	80	16	x2 5/7
4	400	480	16	x1 5/7
5	710	382	2.5	x1 5/7
6	366	450	16	x1 5/7
7	400	100	16	x1 5/7
8	400	80	16	x1 5/7
9	400	80	16	x1 5/7
10	311	80	16	x1 5/7
11	406	342	2.5	x1 5/7
12	396	140	16	x1 7/7
13	570	396	16	x1 7/7



2	z1 x 1 4mm	e27 x 4 Ø 6,3x50mm	s3 x 4 Ø 12mm
----------	---------------	-----------------------	------------------

3	z1 x 1 4mm	e27 x 4 Ø 6,3x50mm	s3 x 4 Ø 12mm
----------	---------------	-----------------------	------------------

4	g1 x 5 Ø 2x20mm	l2 x 7 10x10x15mm	p52 x 4 h=100mm
----------	--------------------	----------------------	--------------------

p50 x 16
Ø 3x16mm

5	z1 x 1 4mm	e27 x 4 Ø 6,3x50mm	s3 x 4 Ø 12mm	r1 x 4 Ø 15x12mm	r23 x 4 45mm	s1 x 4 Ø 20mm	c238 x 1 L=96/128mm	p26 x 2 Ø 4x25mm	n1/2 x 1 R L L=400mm	p50 x 4 Ø 3x16mm	g1 x 5 Ø 2x20mm
----------	---------------	-----------------------	------------------	---------------------	-----------------	------------------	------------------------	---------------------	-------------------------------	---------------------	--------------------

6

a1 x 2



Ø 35mm

p51 x 4



Ø 3,5x16mm

c238 x 1

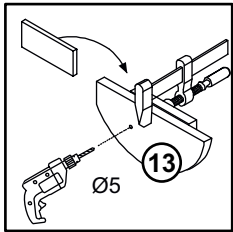
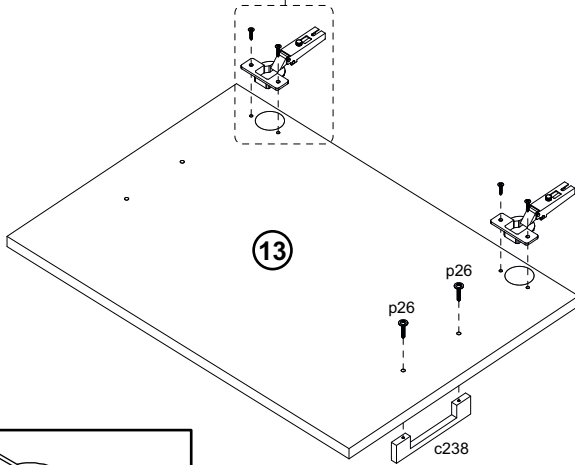
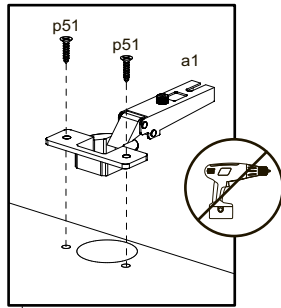
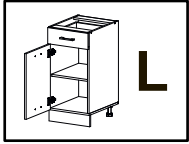
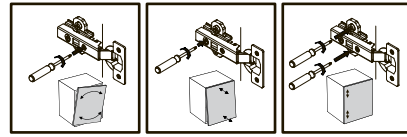
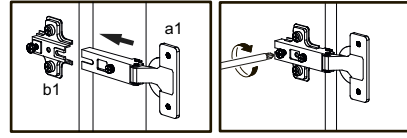
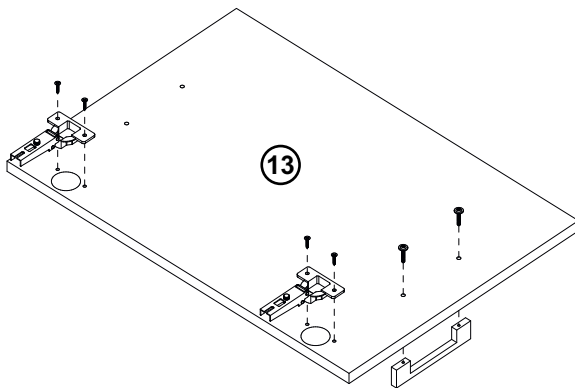
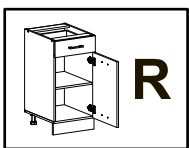
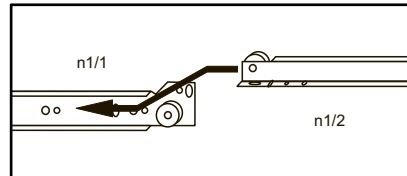
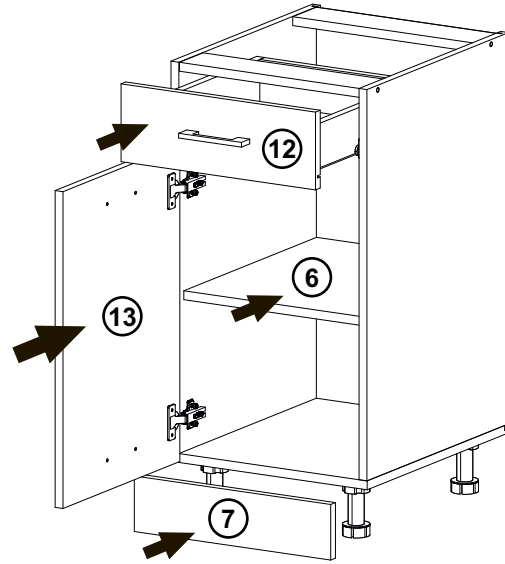


L=96/128mm

p26 x 2



Ø 4x25mm

**7****L****R**