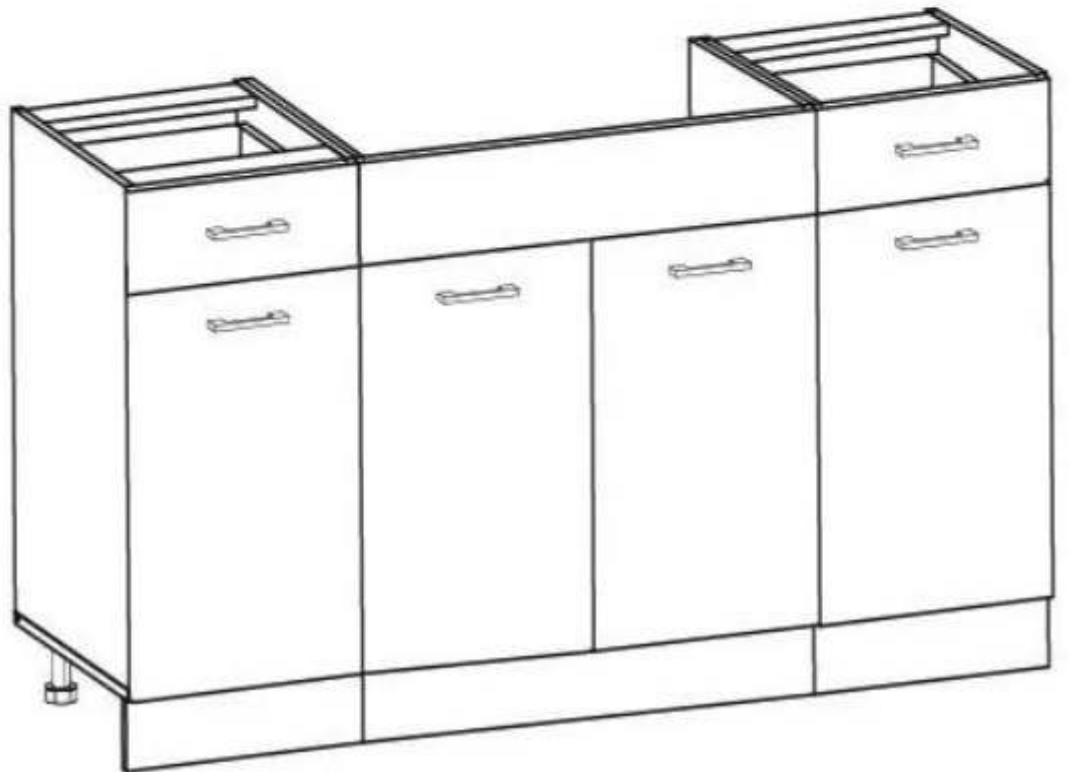
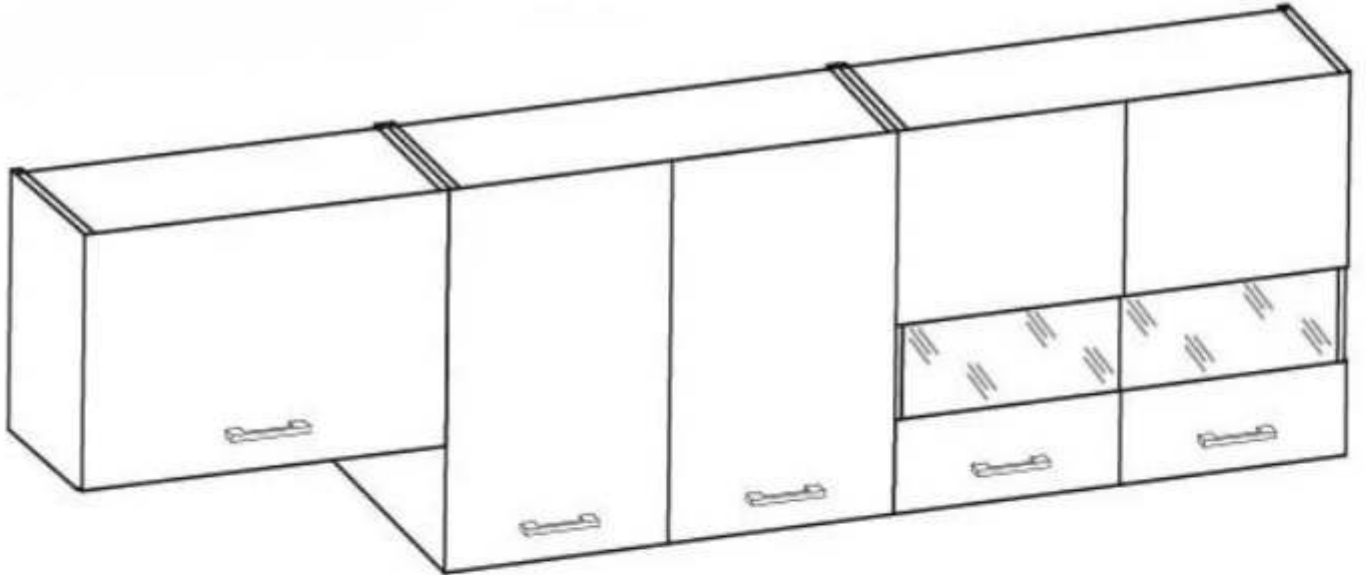
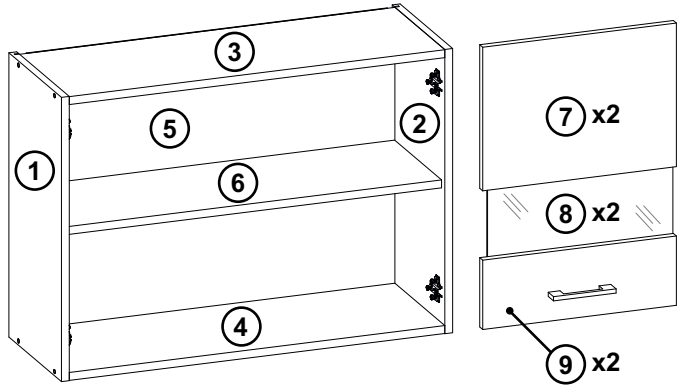
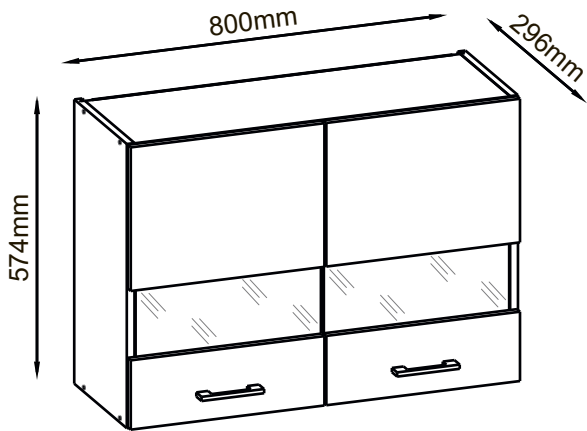


MALIK 220

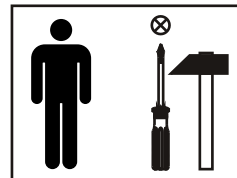


MALIK W80W_57

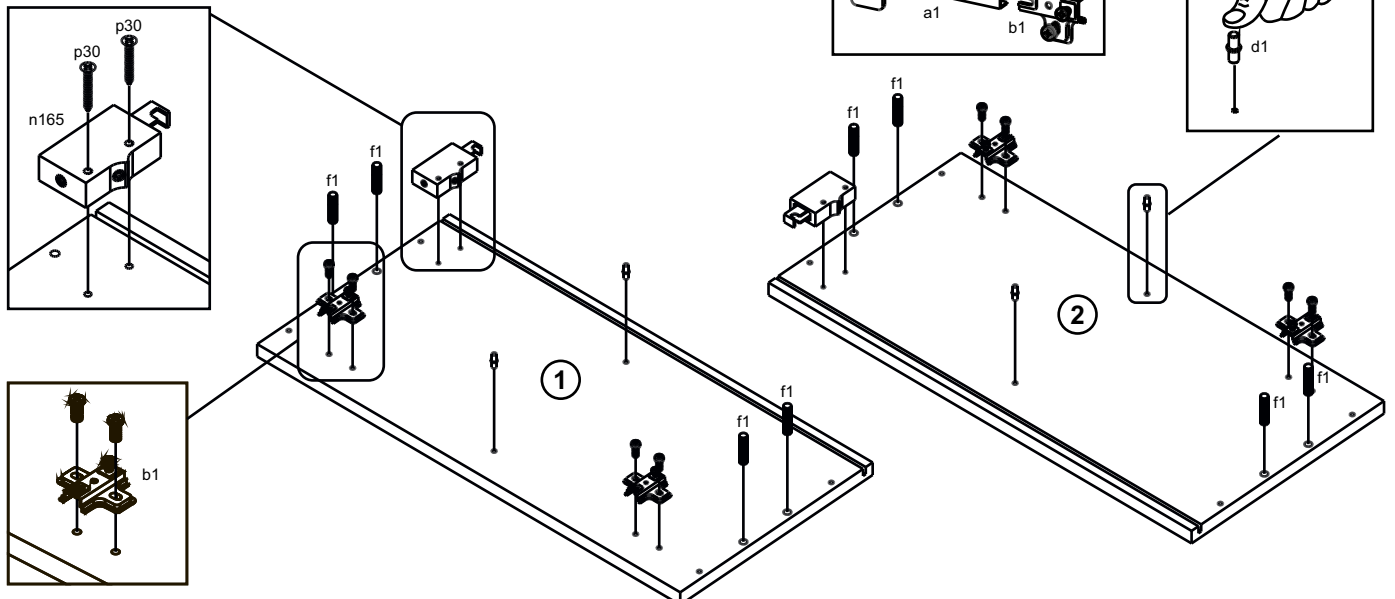


1x 4mm z1	8x Ø 6,3x50mm e27	8x Ø 12mm s3
8x Ø 8x30mm f1	4x Ø 35mm ab1	4x Ø 5mm d1
2x n165	2x L=96/128mm c238	6x 10x10x15mm l2
8x Ø 2x20mm g1	8x Ø 3,5x16mm p51	4x Ø 4x25mm p26
4x Ø 4x30 mm p30	8x 10x6x10mm d6	8x Ø 4,2x16mm p21

A	B (mm)		C	D
1	574	280	16	x1 2/7
2	574	280	16	x1 2/7
3	768	266	16	x1 2/7
4	768	280	16	x1 2/7
5	782	560	2.5	x1 2/7
6	767	250	16	x1 2/7
7	396	290	16	x2 7/7
8	379	200	4	x2 7/7
9	396	140	16	x2 7/7



1	n165 x 2 	p30 x 4 	d1 x 4 	b1 x 4 	f1 x 8
----------	--------------	-------------	------------	------------	------------



2

z1 x 1 4mm	e27 x 8 Ø 6,3x50mm	s3 x 8 Ø 12mm
---------------	-----------------------	------------------

z1
e27

3

g1 x 8 Ø 2x20mm	l2 x 6 10x10x15mm
--------------------	----------------------

g1
8mm

l2

XX=YY=90°

4

a1 x 4 Ø 35mm	p51 x 8 Ø 3,5x16mm	c238 x 2 L=96/128mm	p26 x 4 Ø 4x25mm	d6 x 8 10x6x10mm	p21 x 8 Ø 4,2x16mm
------------------	-----------------------	------------------------	---------------------	---------------------	-----------------------

a1
p51
c238
p26
d6
p21

a1
p51
c238
p26
d6
p21

5

6

a1
b1

6

