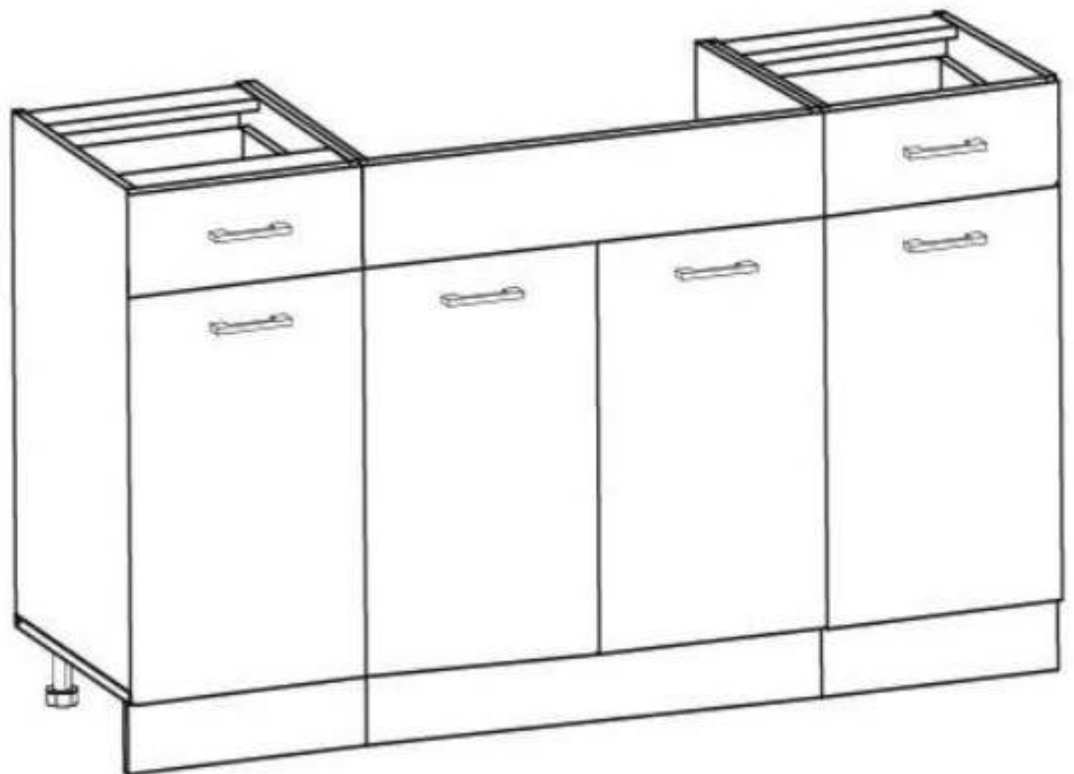
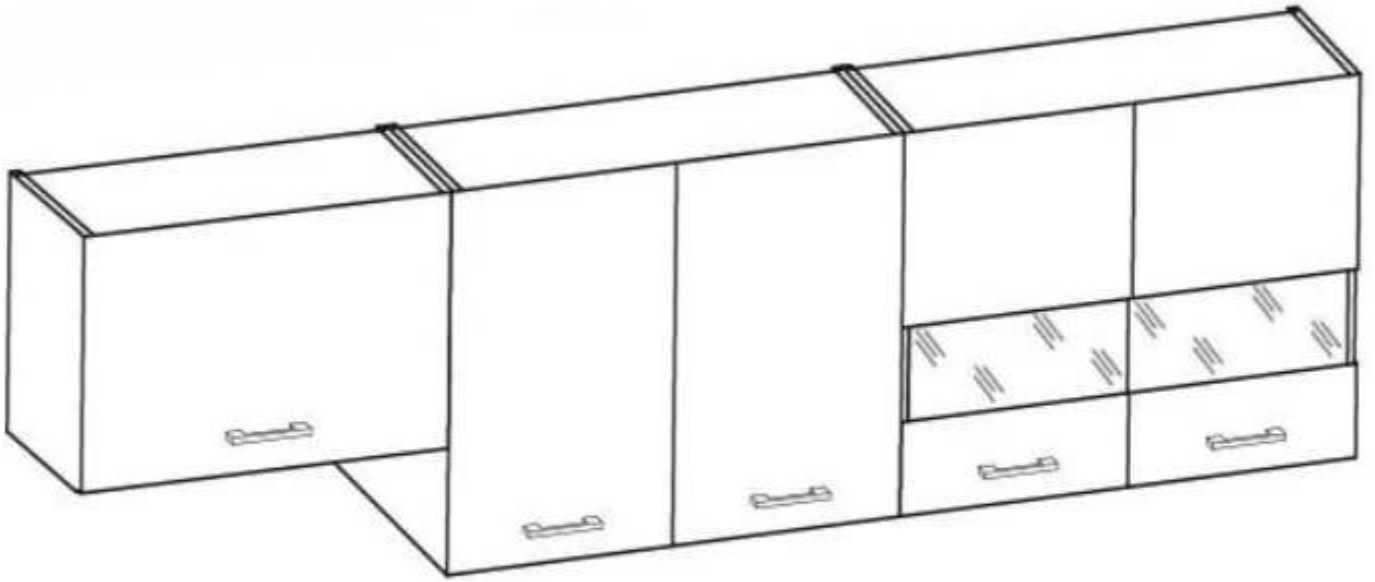
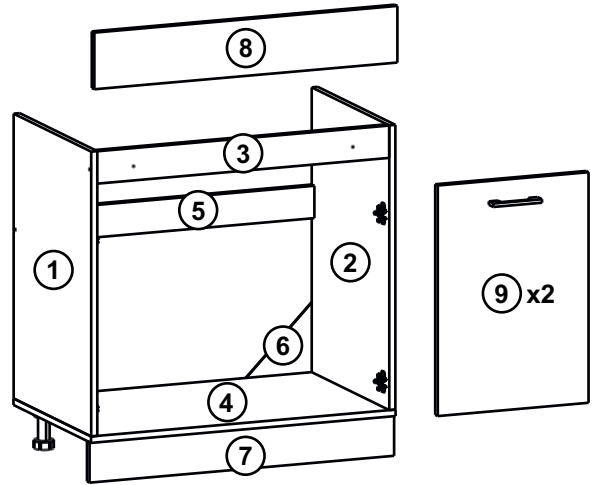
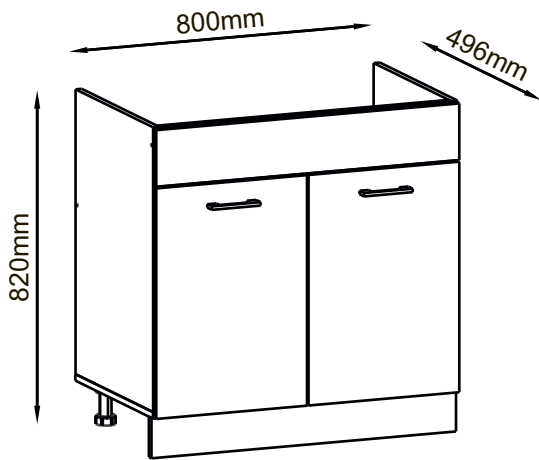


MALIK 220

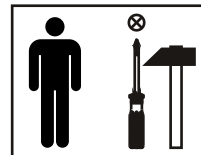


MALIK D80z

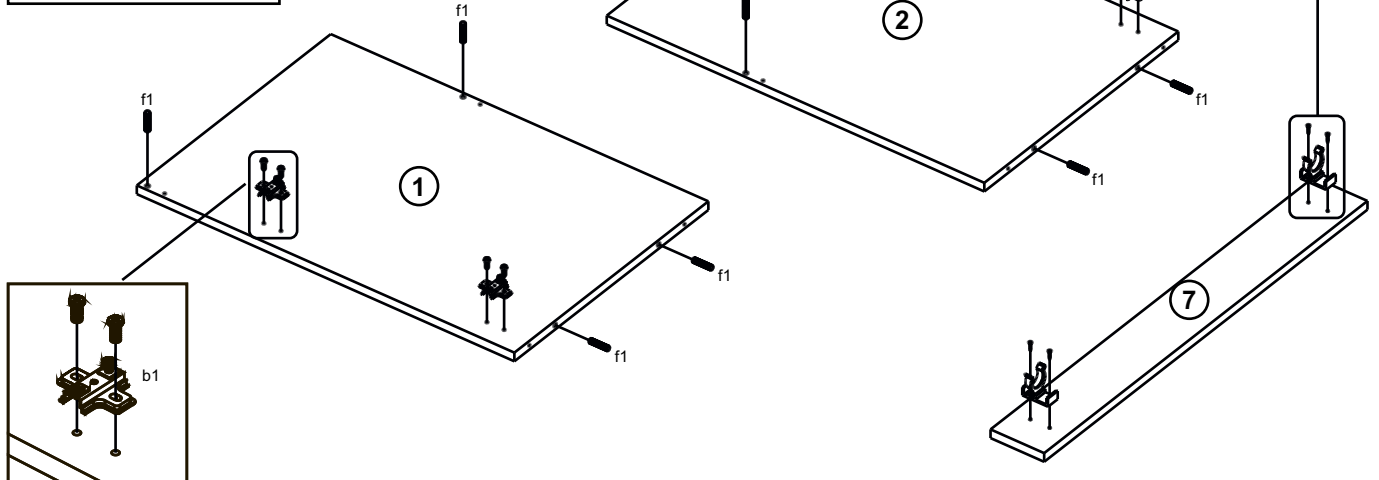
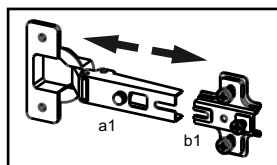


1x 4mm 	8x Ø 6,3x50mm	8x Ø 12mm
8x Ø 8x30mm	4x Ø 35mm	2x L=96/128mm
4x h=100mm	2x 	12x Ø 2x20mm
4x Ø 4x25mm	20x Ø 3x16mm	8x Ø 3,5x16mm
	2x Ø 4x30 mm	

A	B (mm)		C	D
1	704	480	16	x1 3/7
2	704	480	16	x1 3/7
3	767	80	16	x1 3/7
4	800	480	16	x1 3/7
5	767	80	16	x1 3/7
6	200	200	2.5	x2 3/7
7	800	100	16	x1 3/7
8	796	140	16	x1 7/7
9	570	396	16	x2 7/7



1	b1 x 4 40x50x12mm 	f1 x 8 Ø 8x30mm 	p50 x 4 Ø 3x16mm 	u1 x 2
----------	--------------------------	------------------------	-------------------------	------------



2	z1 x 1	e27 x 4	s3 x 4
	4mm	Ø 6,3x50mm	Ø 12mm

z1

e27

e27

s3

3	z1 x 1	e27 x 4	s3 x 4
	4mm	Ø 6,3x50mm	Ø 12mm

e27

s3

z1

e27

4	g1 x 12	p50 x 16
	Ø 2x20mm	Ø 3x16mm

p52 x 4
h=100mm

g1

p50

k52

5	a1 x 4	p51 x 8	c238 x 2	p26 x 4
	Ø 35mm	Ø 3,5x16mm	L=96/128mm	Ø 4x25mm

a1

p51

c238

p26

6	p30 x 2
	Ø 4x30mm

p30

b1

a1