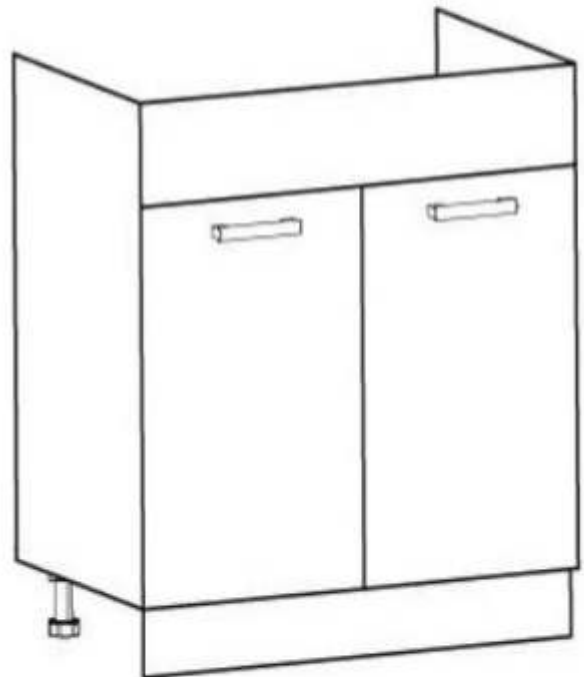
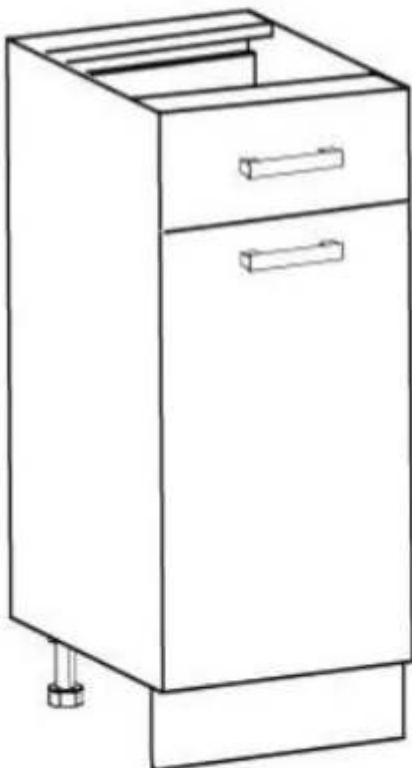
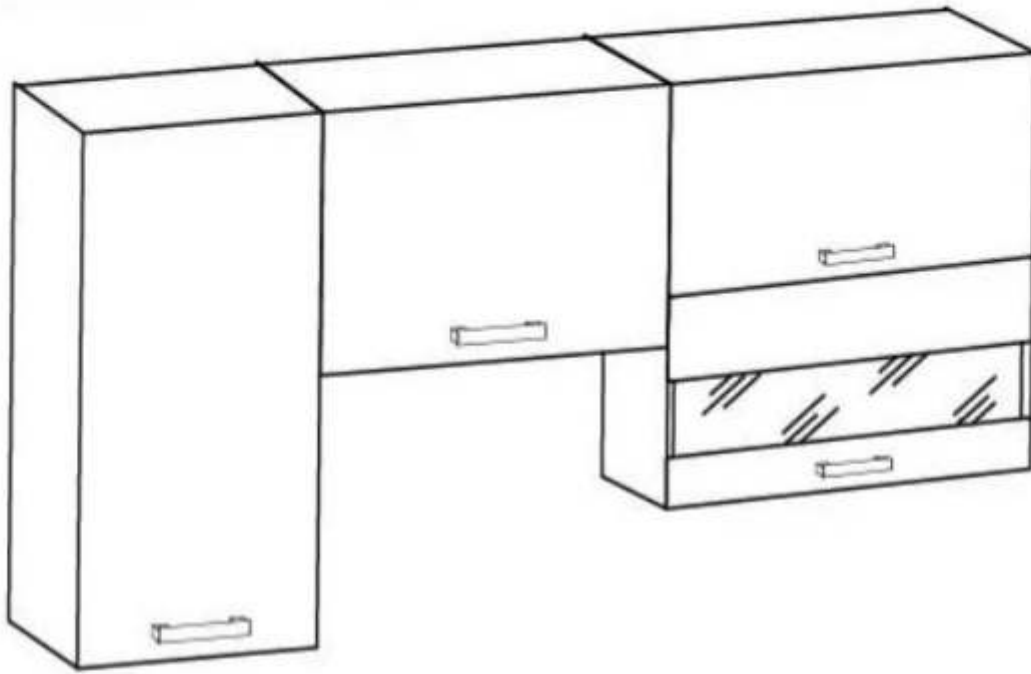
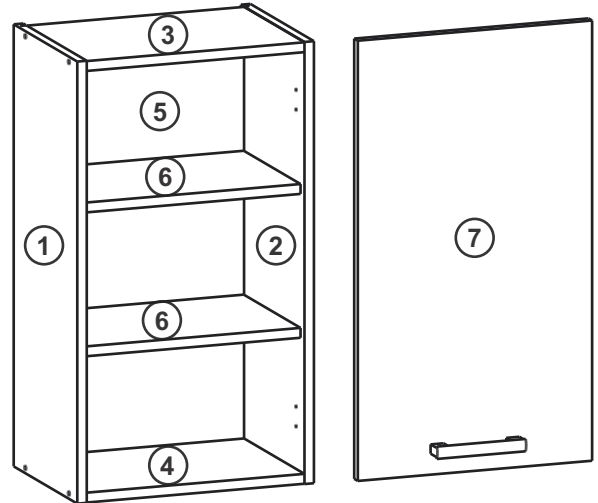
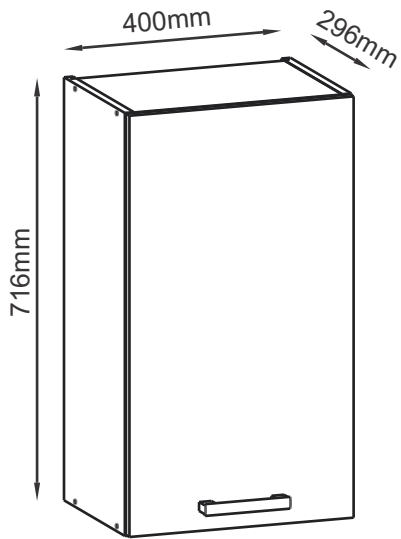


NIVIA 180

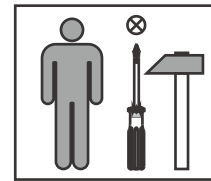


NIVIA G40

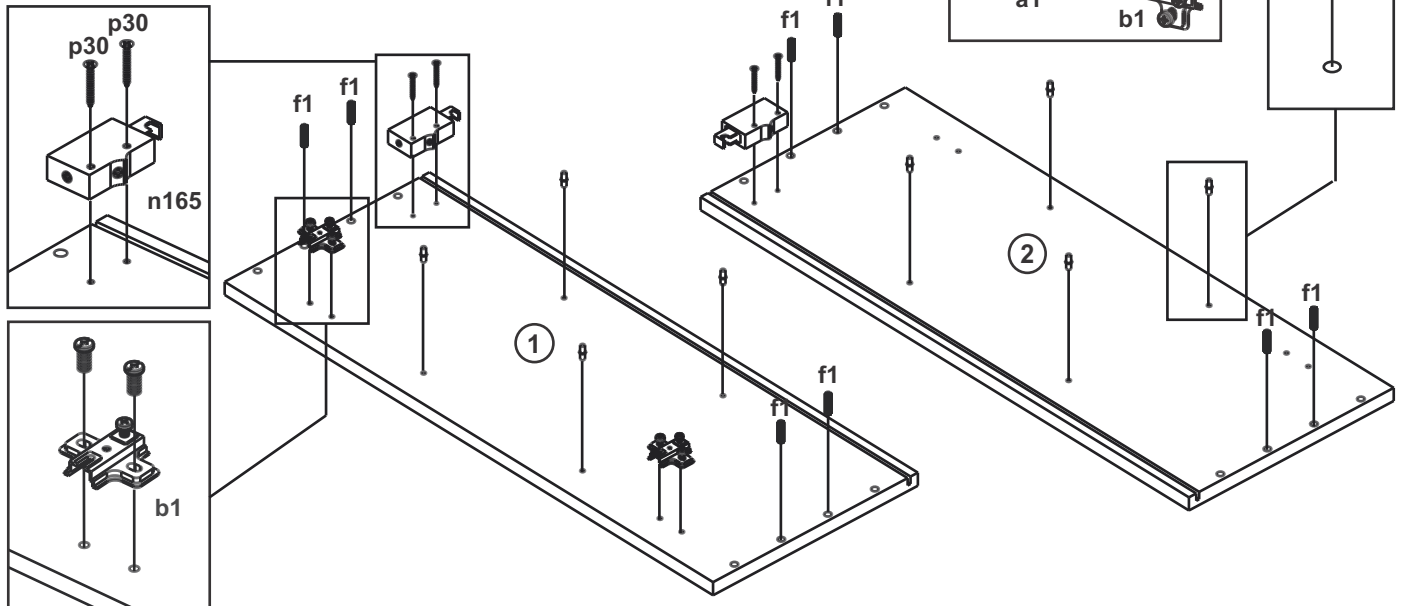


1x 4mm z1	8x Ø 6,3x50mm e27	8x Ø 12mm s3
8x Ø 8x30mm f1	2x Ø 35mm ab1	8x Ø 5mm d1
2x n165	1x L=128/148mm c252	5x 10x10x15mm l2
3x Ø 4,2x16mm p21	4x Ø 3,5x16mm p51	2x Ø 4x25mm p26
2x 80x27x5mm j1	4x Ø 4x30 mm p30	2x M4 r3

A	B (mm)		C	D
1	716	280	16	x1
2	716	280	16	x1
3	368	266	16	x1
4	368	280	16	x1
5	706	384	2.5	x1
6	367	250	16	x2
7	396	713	16	x1



1	n165 x 2 	p30 x 4 Ø 4x30mm 	d1 x 8 Ø 5mm 	b1 x 2 40x50x12mm 	f1 x 8 Ø 8x30mm
----------	--------------	-------------------------	---------------------	--------------------------	------------------------



2

z1 x 1 4mm	e27 x 8 Ø 6,3x50mm	s3 x 8 Ø 12mm
---------------	-----------------------	------------------

z1
e27

s3

3

p21 x 3 Ø 4,2x16mm	I2 x 5 10x10x15mm
-----------------------	----------------------

p21
8mm

I I2
II I2

A=B

A B

A B

!

4

a1 x 2 Ø 35mm	p51 x 4 Ø 3,5x16mm	c252 x 1 L=128/148mm	p26 x 2 Ø 4x25mm
------------------	-----------------------	-------------------------	---------------------

L

R

a1

p51

p51

p26

p26

7

c252

7

7

7

p26

p26

c252

7

Ø 5mm

5

a1

b1

L

R

6

6

6

7

7

7

a1

b1

a1

b1

a1

b1

6 j1 x 2
80x27x5mm

