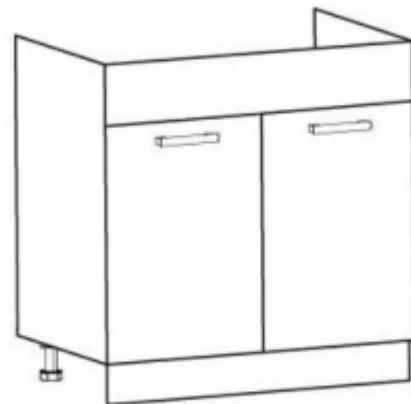
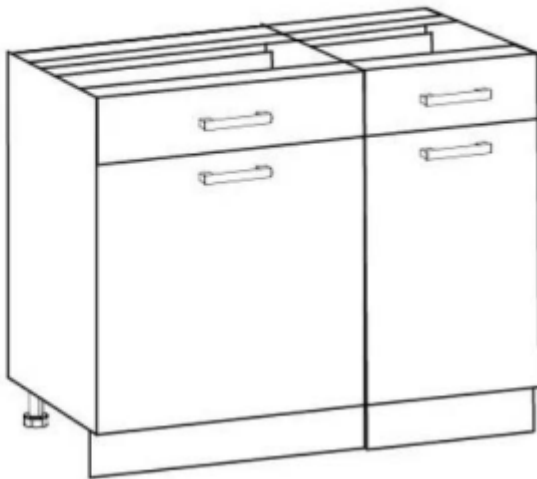
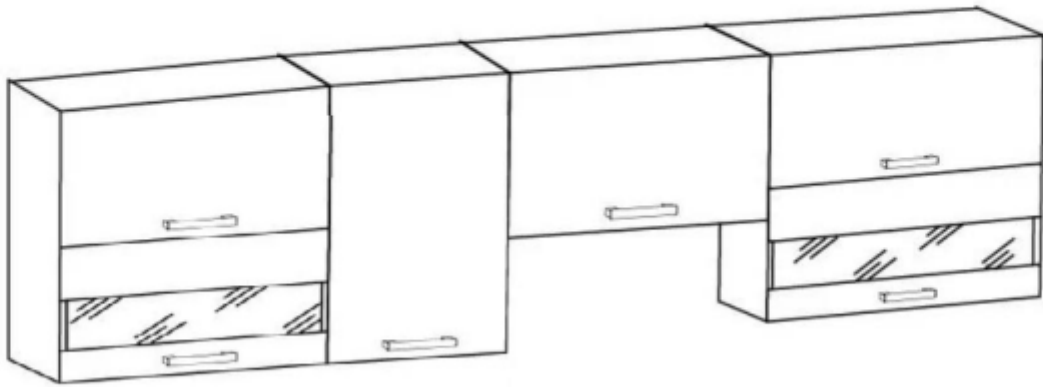
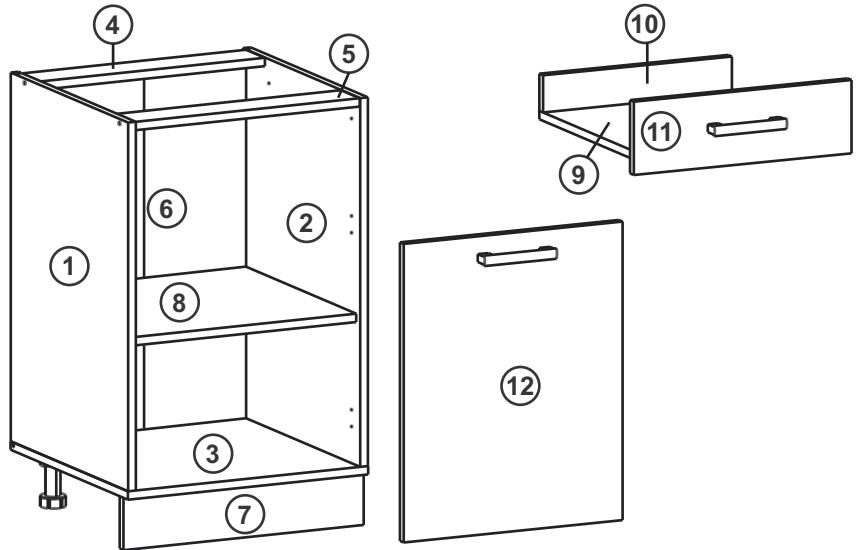
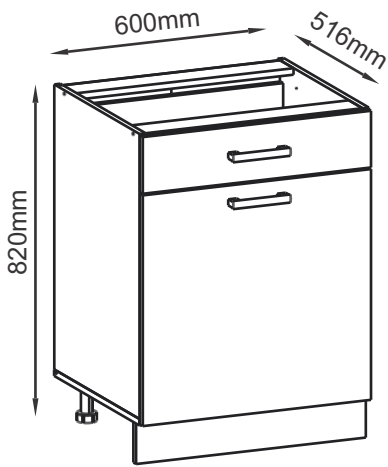


# NIVIA 240

---



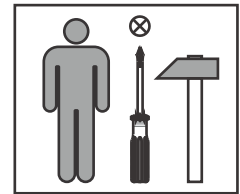
# NIVIA D60S1



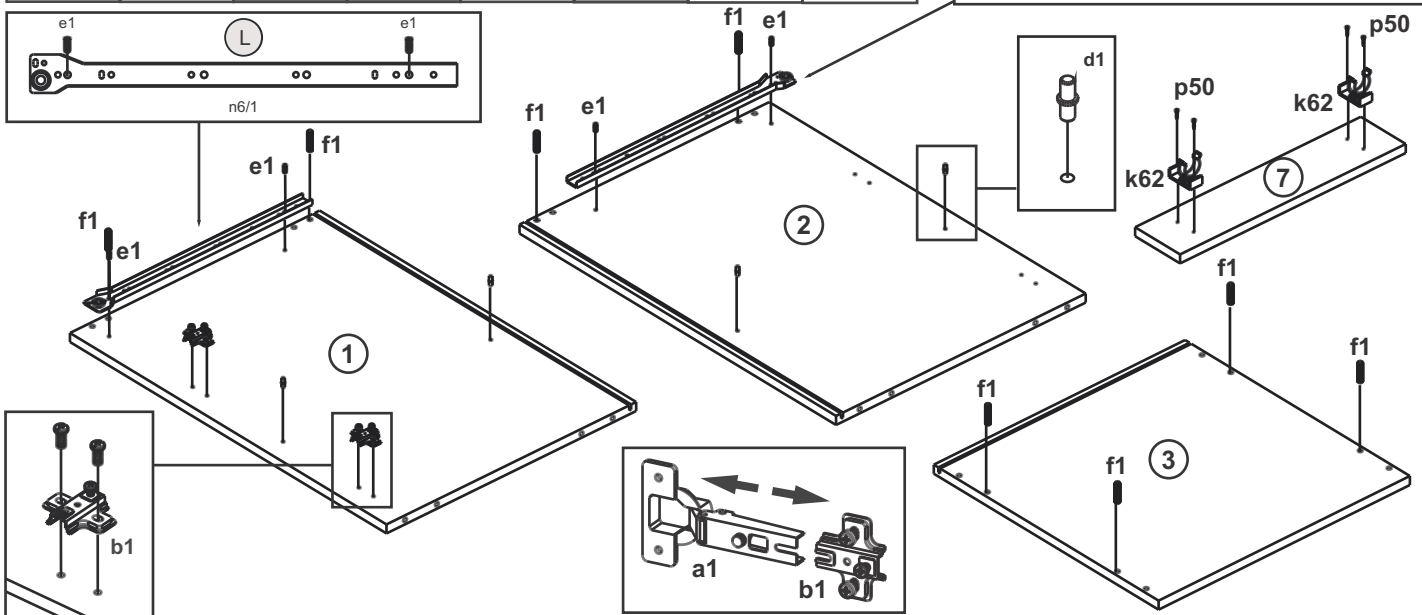
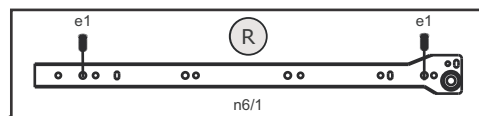
1x 4mm  <b>z1</b>	8x  Ø 6,3x50mm <b>e27</b>	8x Ø 12mm  <b>s3</b>
8x Ø 8x30mm  <b>f1</b>	2x Ø 35mm  <b>ab1</b>	2x M4  <b>r3</b>
32x Ø 3x16mm  <b>p50</b>	2x L=128/148mm  <b>c252</b>	4x Ø 4x25mm  <b>p26</b>
4x Ø 4,2x16mm  <b>p21</b>	4x Ø 3,5x16mm  <b>p51</b>	2x  <b>k61</b>
4x Ø 4x30 mm  <b>p30</b>	4x h=100mm  <b>k52</b>	1x L=450mm  <b>n6</b>

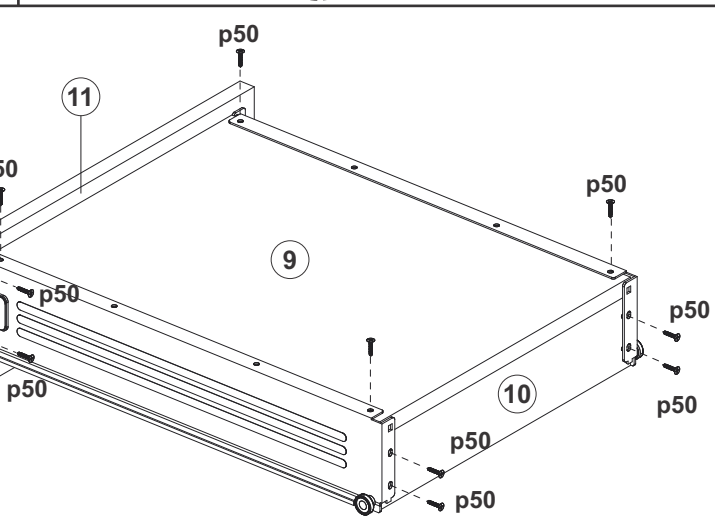
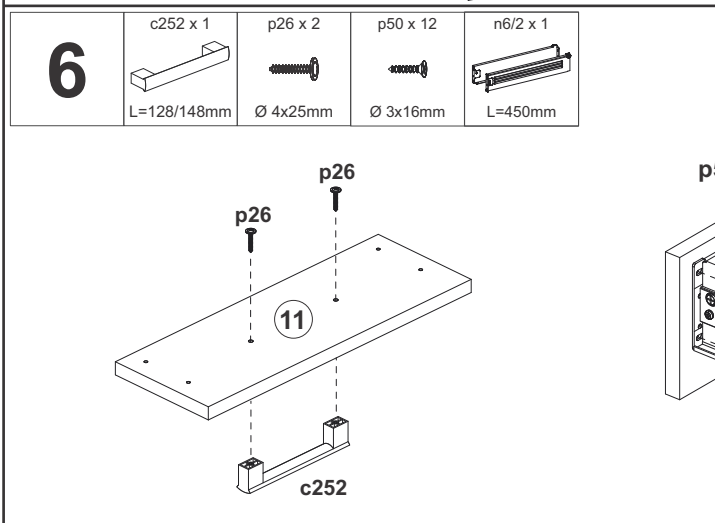
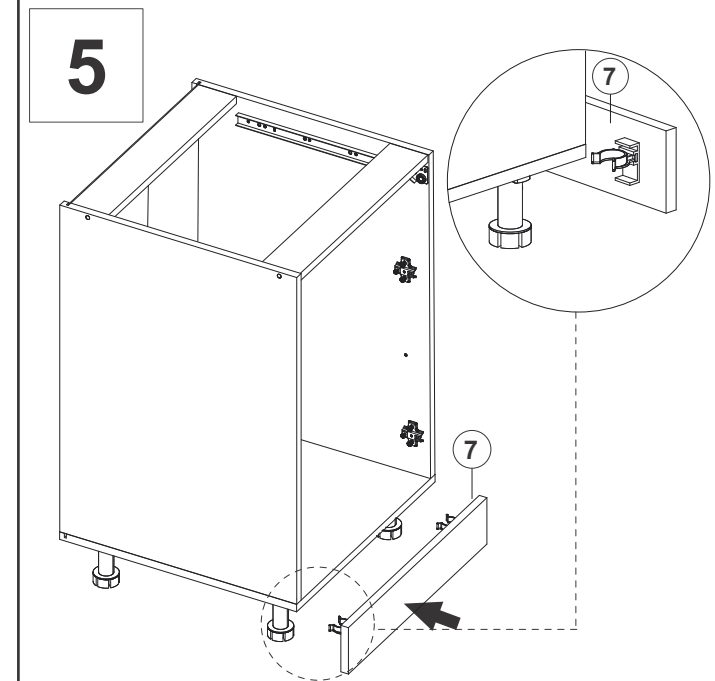
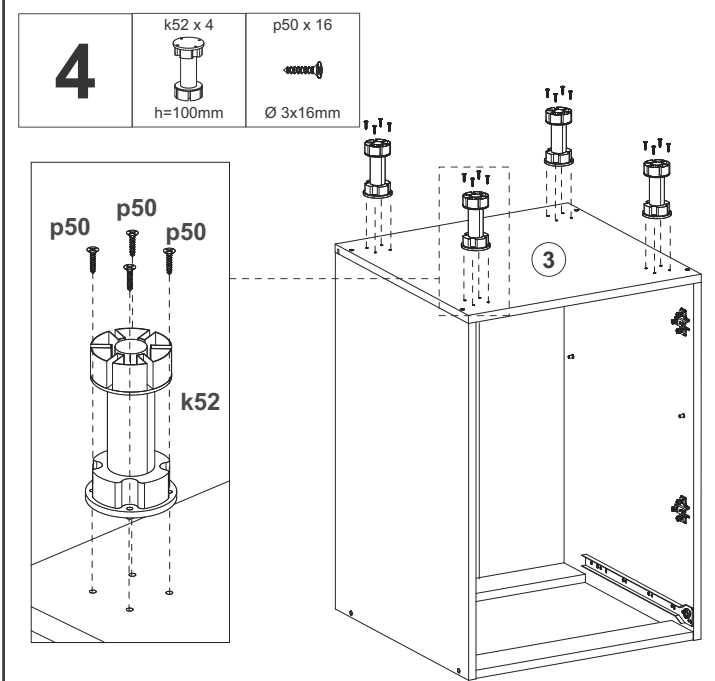
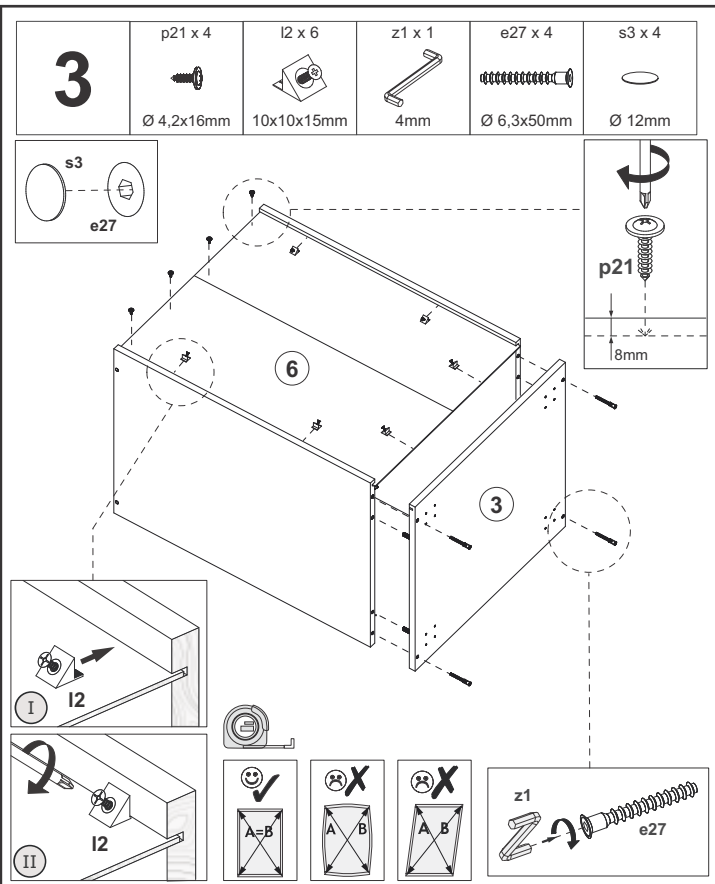
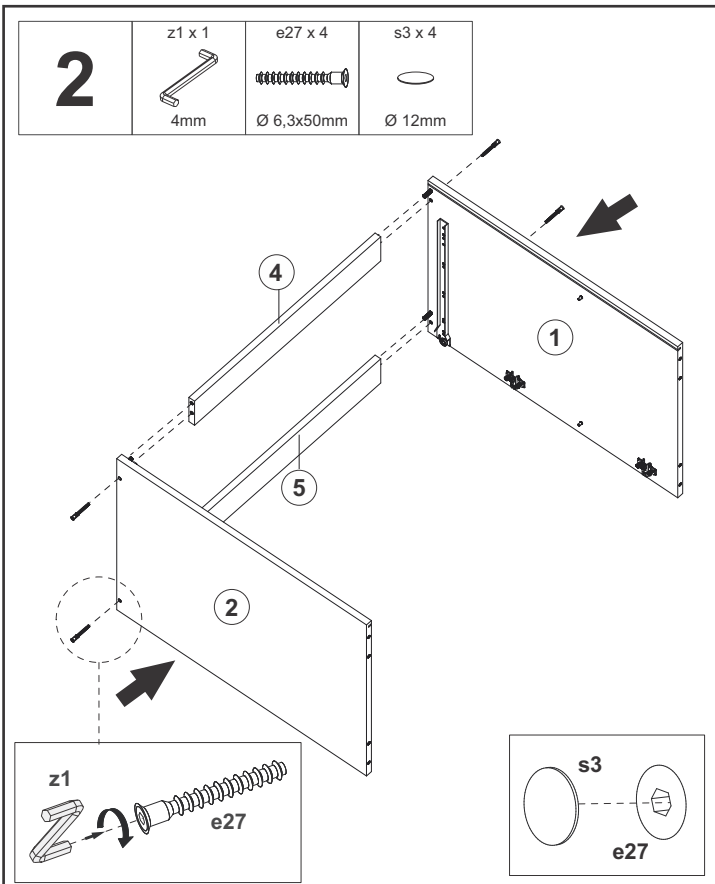


A	B (mm)		C	D
1	704	500	16	x1 5/9
2	704	500	16	x1 5/9
3	600	500	16	x1 5/9
4	567	80	16	x1 5/9
5	567	80	16	x1 5/9
6	582	710	2.5	x1 5/9
7	600	100	16	x1 5/9
8	566	470	16	x1 5/9
9	448	536	16	x1 5/9
10	536	71	16	x1 5/9
11	596	140	16	x1 9/9
12	596	570	16	x1 9/9

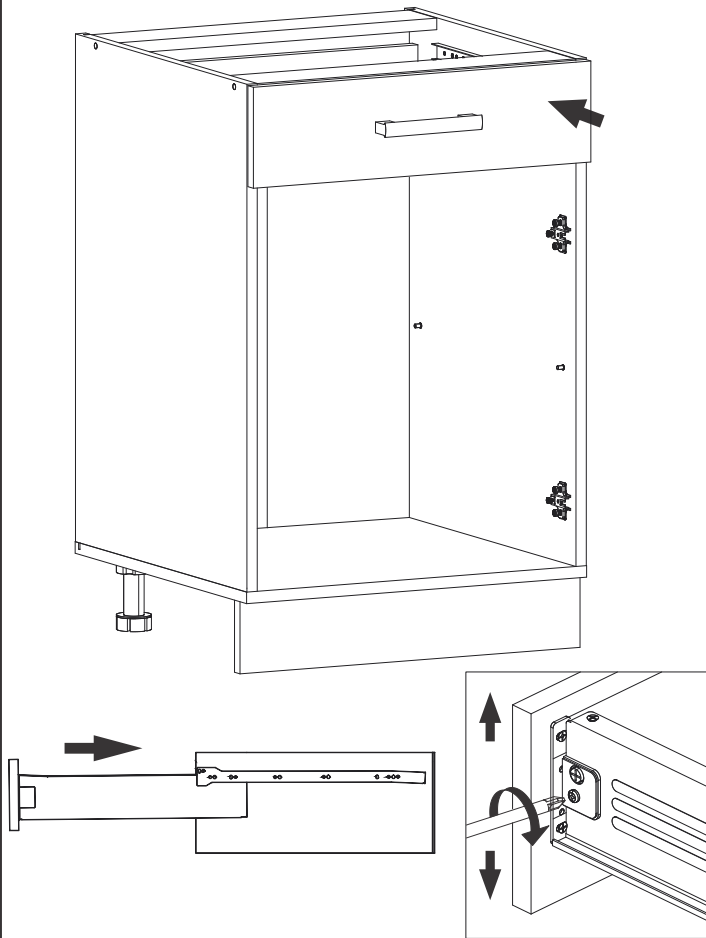


<b>1</b>	b1 x 2 40x50x12mm 	f1 x 8 Ø 8x30mm 	k62 x 2 	p50 x 4 Ø 3x16mm 	n6/1 x 1 L=450mm 	e1 x 4 Ø 6x13mm 	d1 x 4 Ø 5mm 
----------	--------------------------	------------------------	-------------	-------------------------	-------------------------	------------------------	---------------------

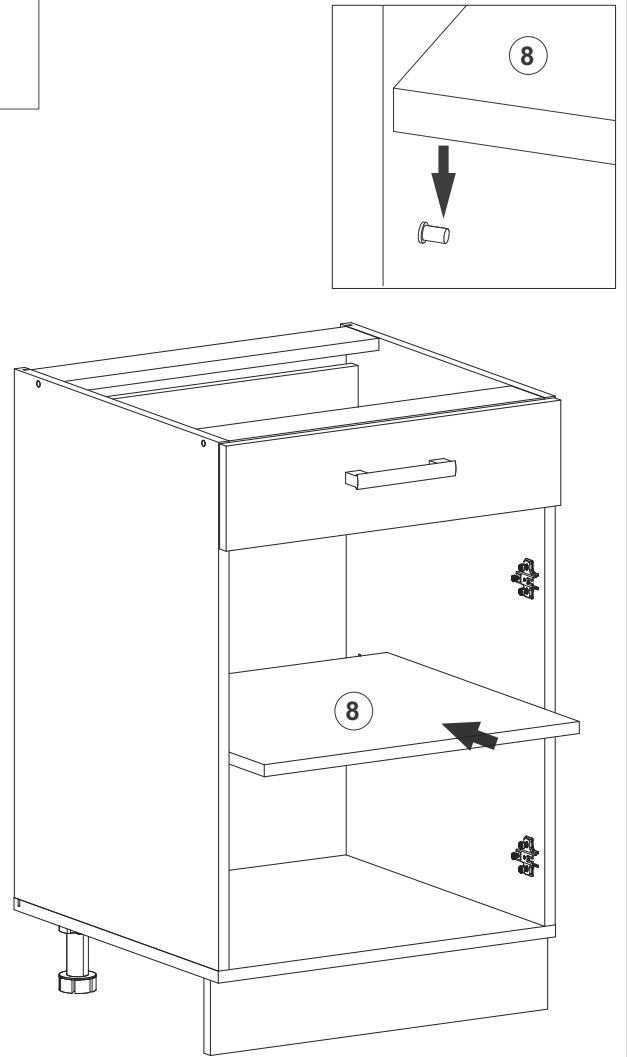




7

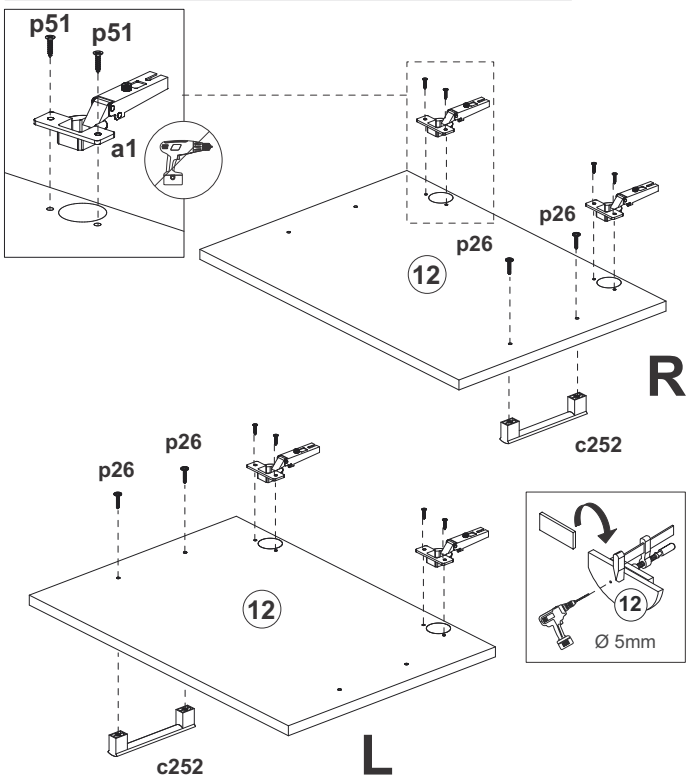


8

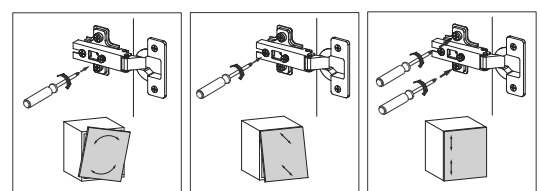
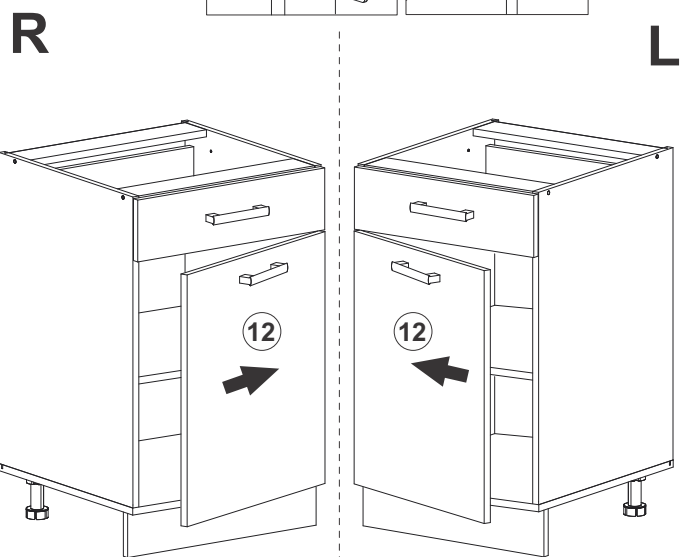
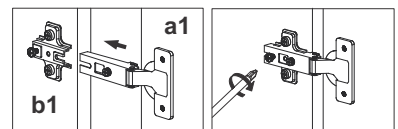


9

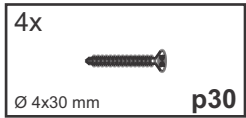
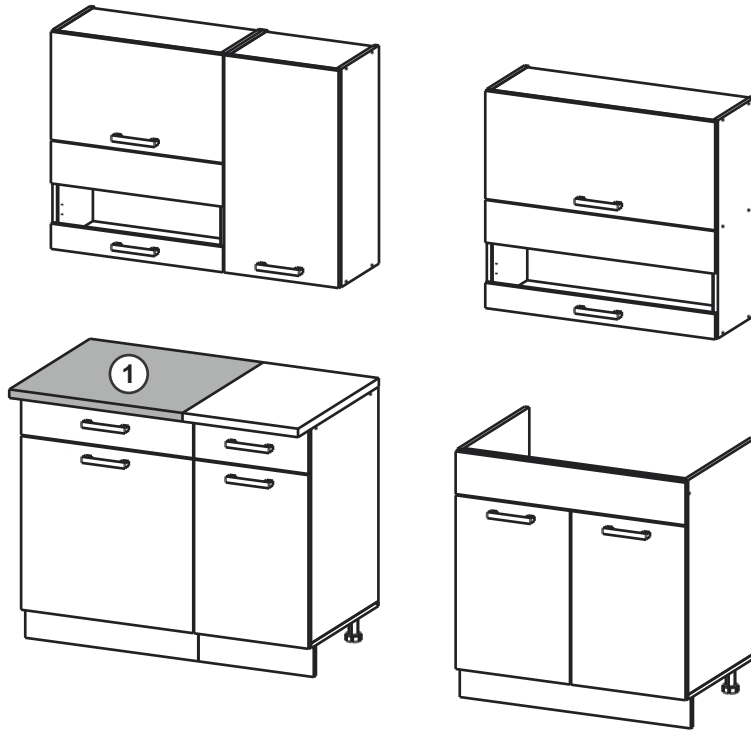
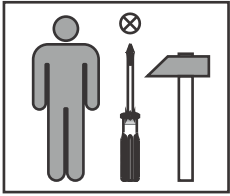
a1 x 2 Ø 35mm	p51 x 4 Ø 3,5x16mm	c252 x 1 L=128/148mm	p26 x 2 Ø 4x25mm
------------------	-----------------------	-------------------------	---------------------



10



# NIVIA Worktop 60



A	B (mm)		C	D
1	600	600	28	x1

