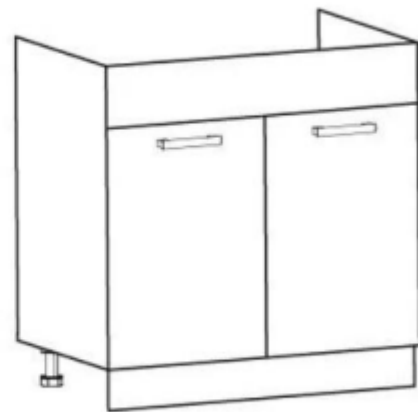
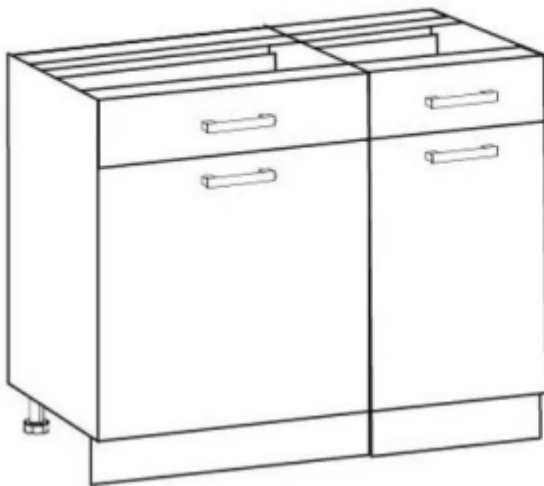
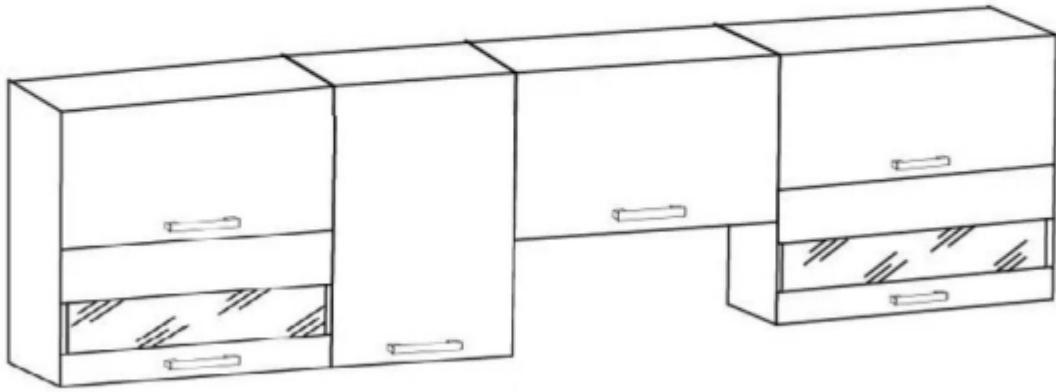
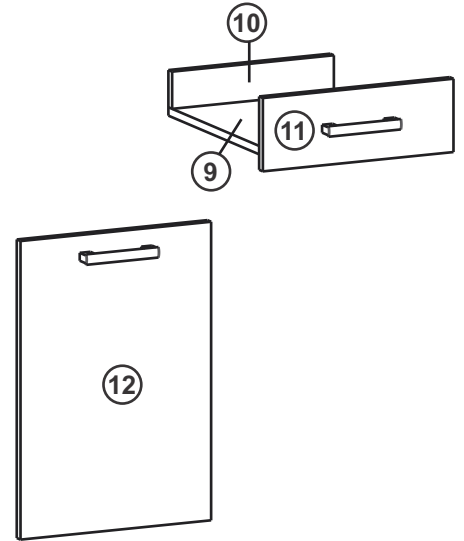
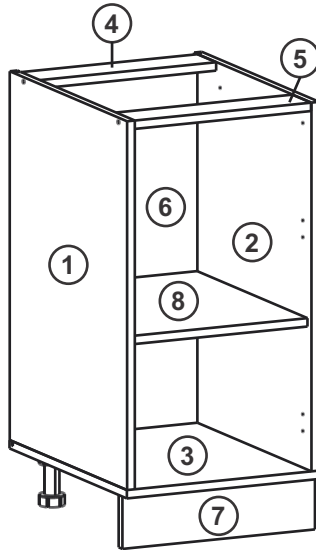
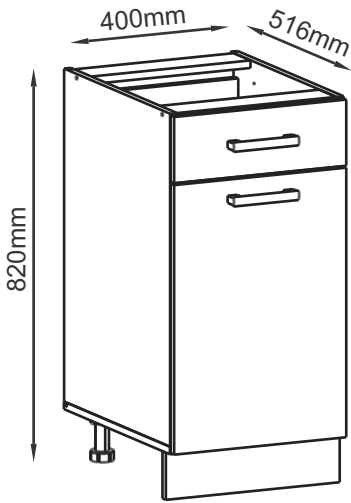


NIVIA 240



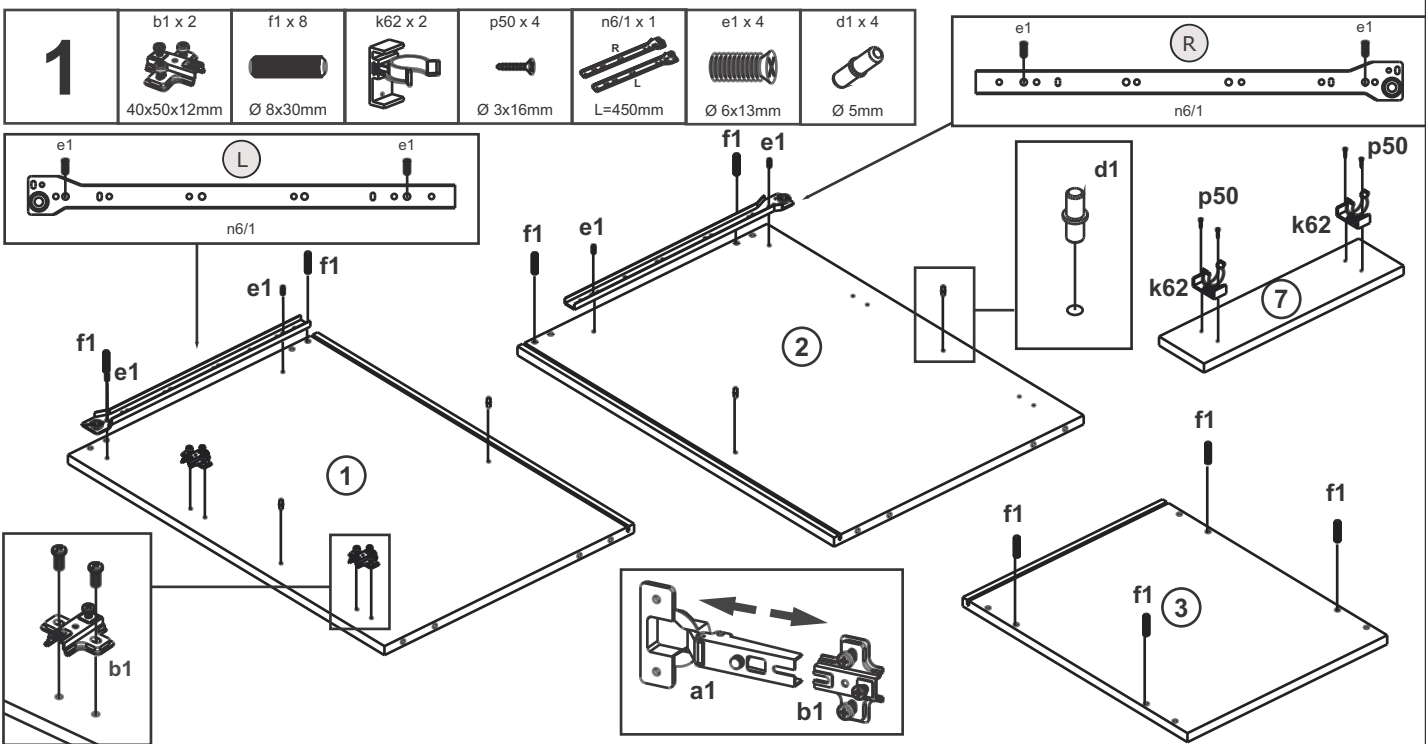
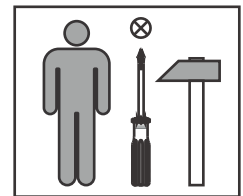
NIVIA D40S1

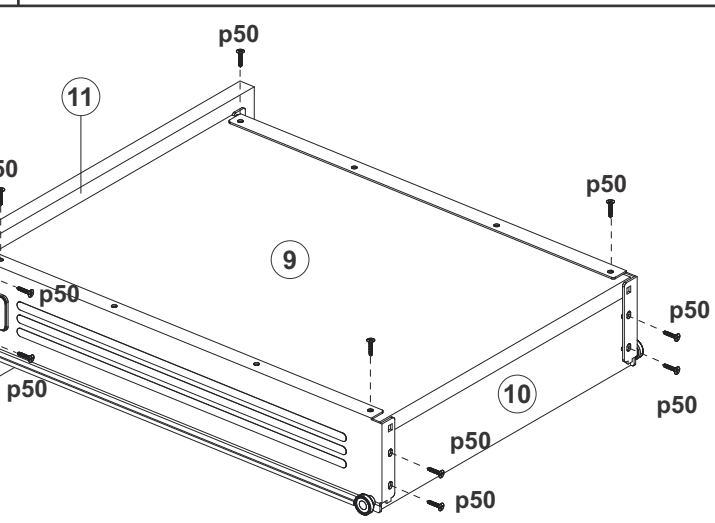
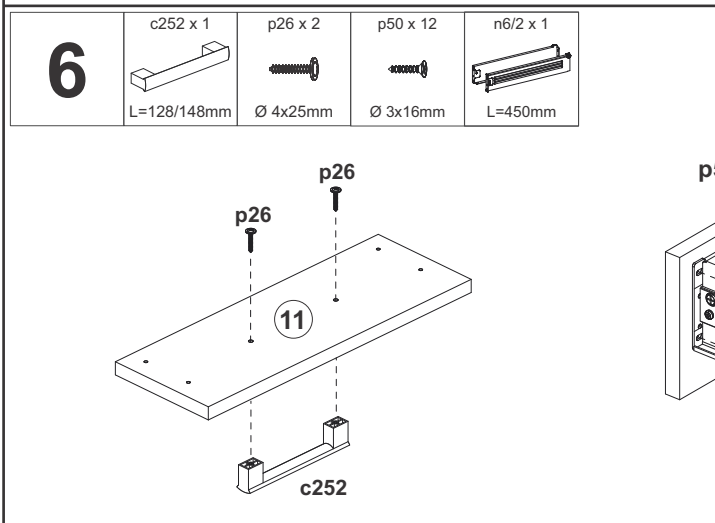
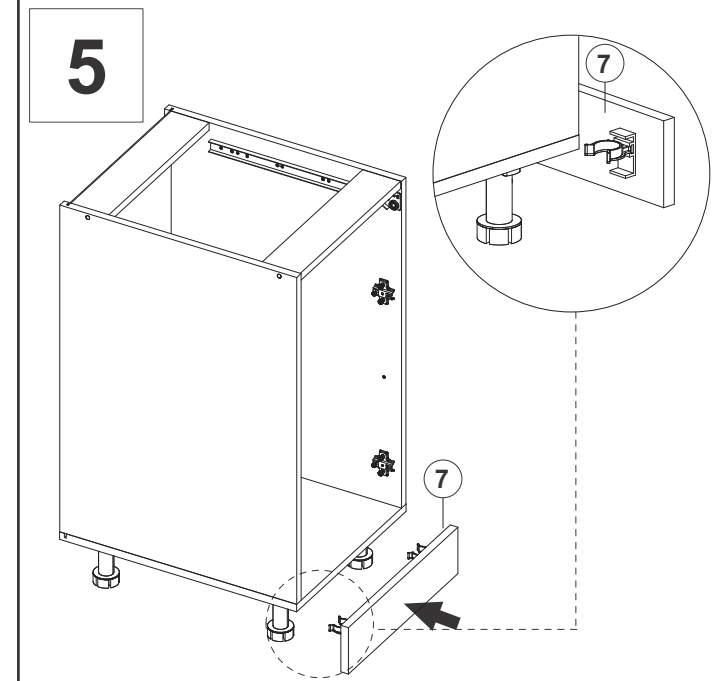
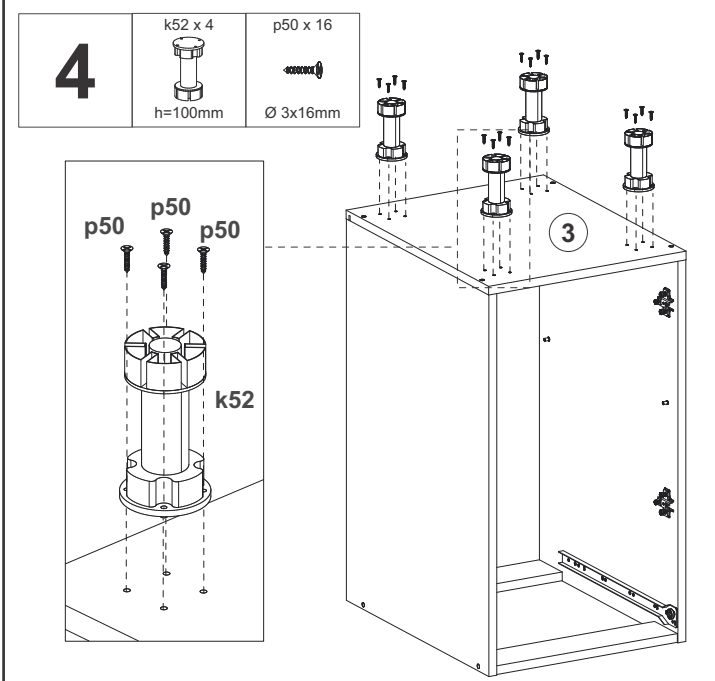
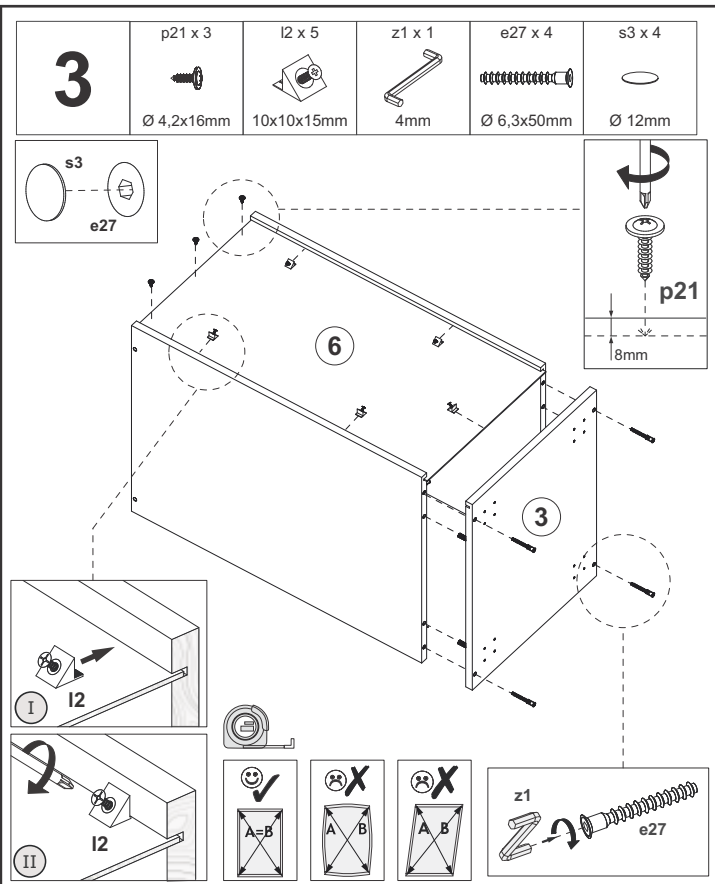
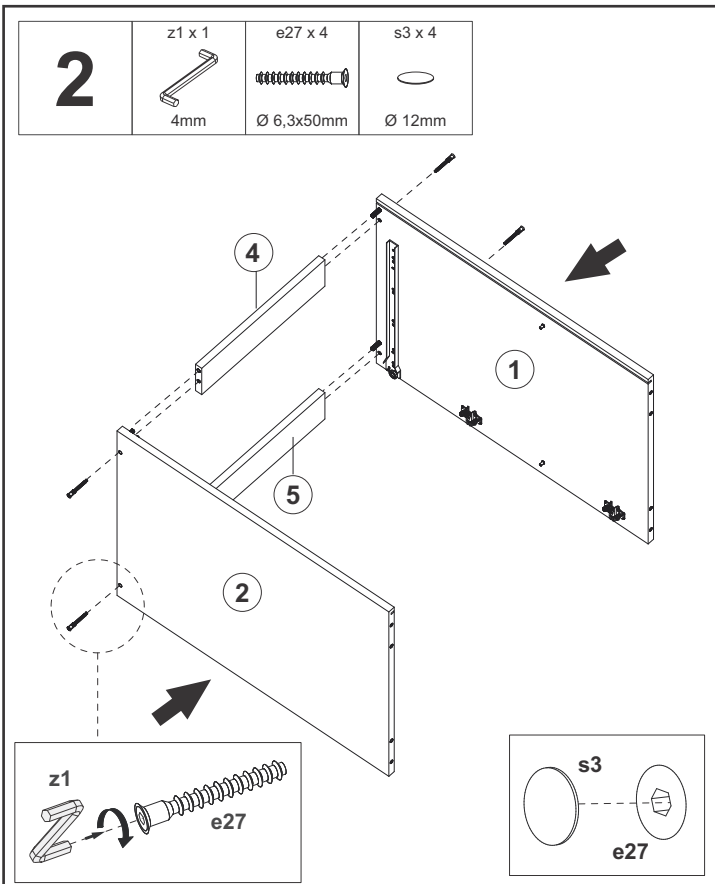


1x 4mm z1	8x Ø 6,3x50mm e27	8x Ø 12mm s3
8x Ø 8x30mm f1	2x Ø 35mm ab1	2x M4 r3
32x Ø 3x16mm p50	2x L=128/148mm c252	4x Ø 4x25mm p26
3x Ø 4,2x16mm p21	4x Ø 3,5x16mm p51	2x k61
4x Ø 4x30 mm p30	4x h=100mm k52	1x L=450mm n6
		5x 10x10x15mm l2
		4x Ø 5mm d1
		4x Ø 6x13mm e1

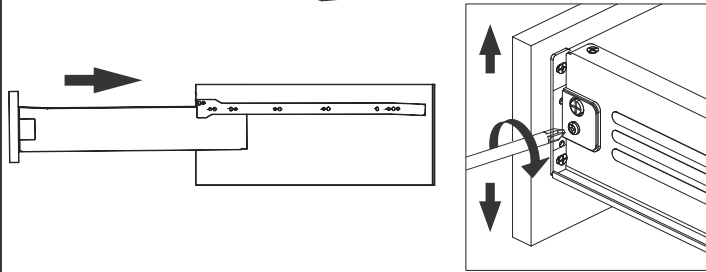
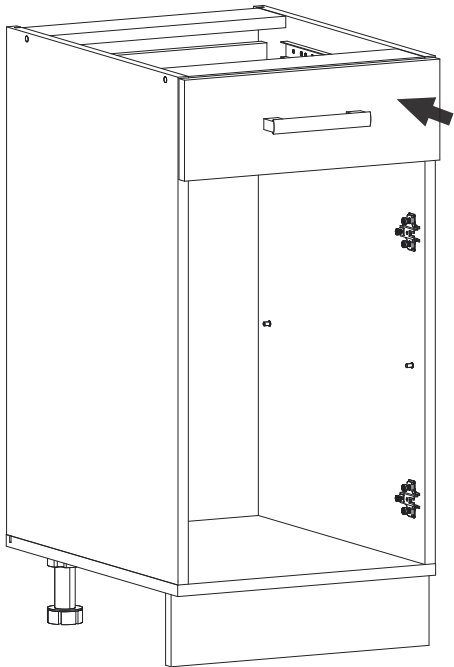


A	B (mm)		C	D
1	704	500	16	x1 4/9
2	704	500	16	x1 4/9
3	400	500	16	x1 4/9
4	367	80	16	x1 4/9
5	367	80	16	x1 4/9
6	382	710	2.5	x1 4/9
7	400	100	16	x1 4/9
8	366	470	16	x1 4/9
9	448	336	16	x1 4/9
10	336	71	16	x1 4/9
11	396	140	16	x1 8/9
12	396	570	16	x1 8/9

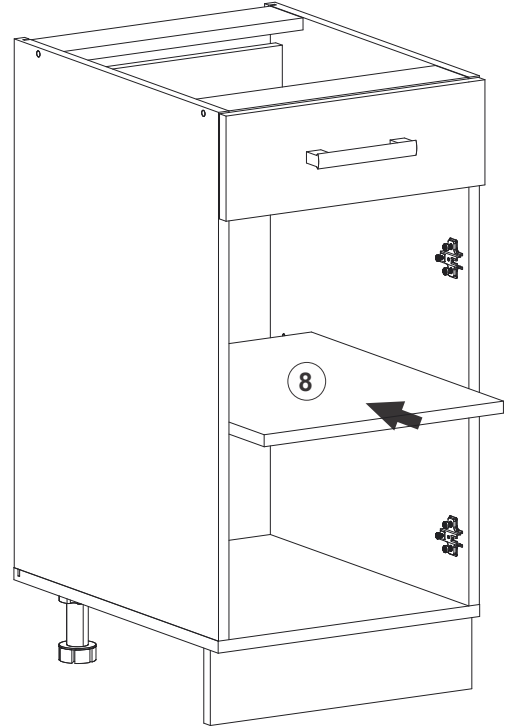
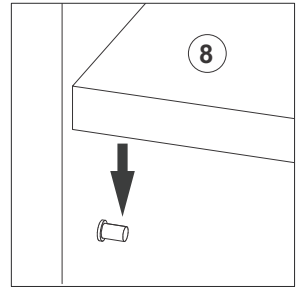




7

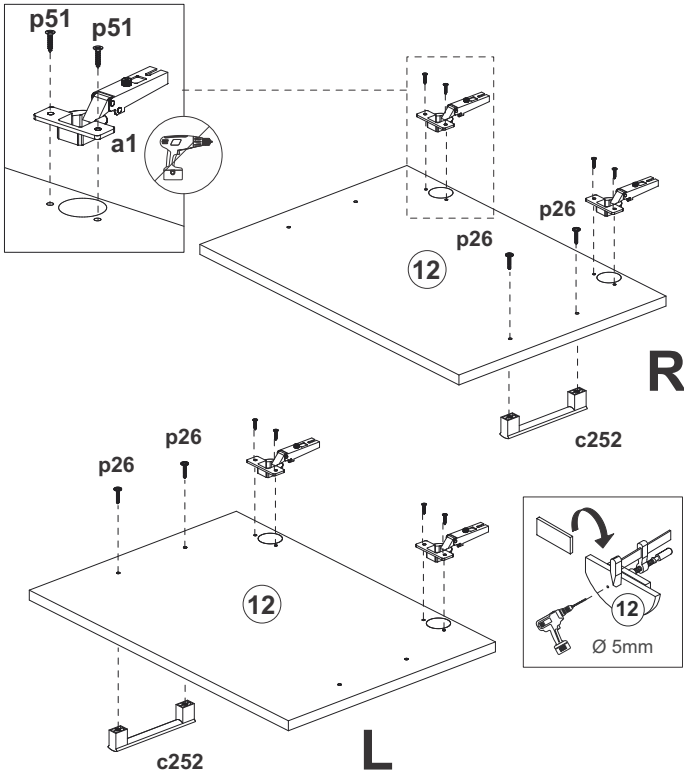


8

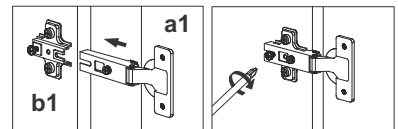


9

a1 x 2 Ø 35mm	p51 x 4 Ø 3,5x16mm	c252 x 1 L=128/148mm	p26 x 2 Ø 4x25mm
------------------	-----------------------	-------------------------	---------------------

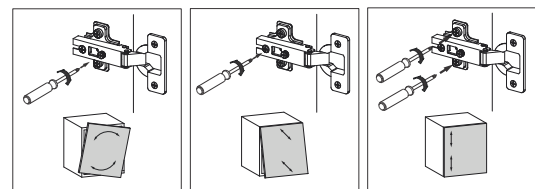
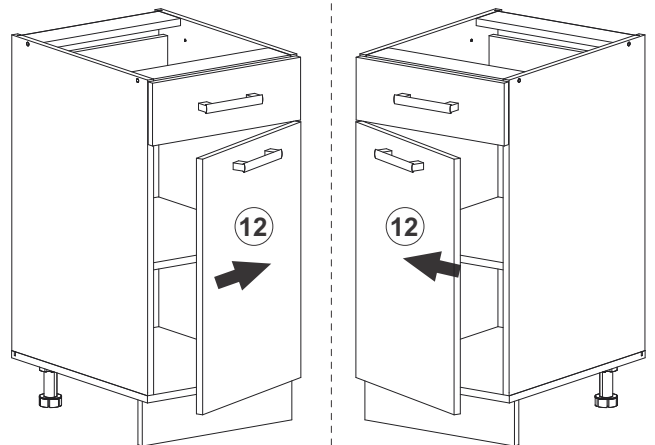


10

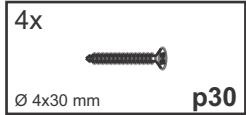
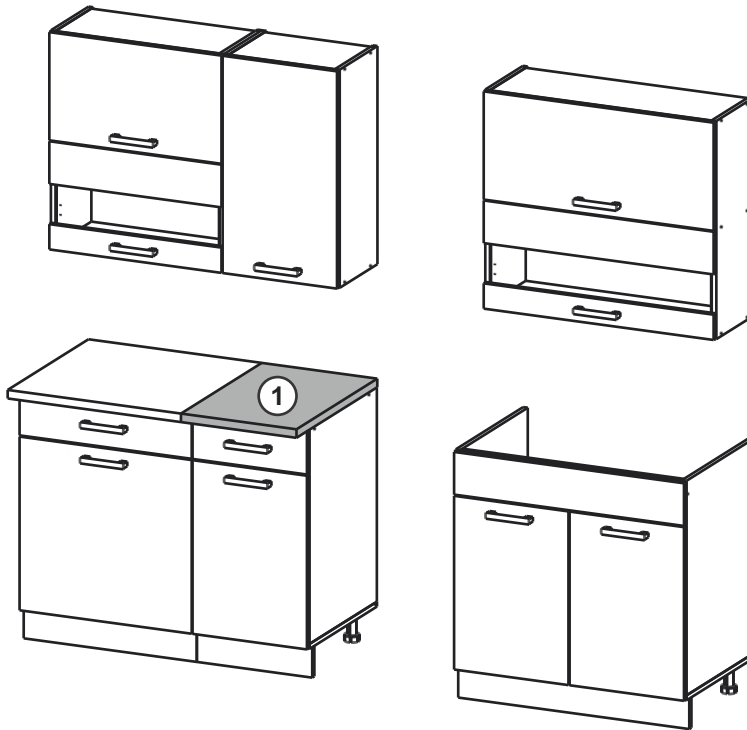
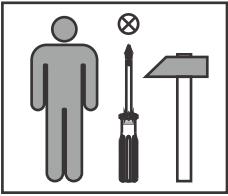


R

L



NIVIA Worktop 40



A	B (mm)			C	D
1	400	600	28	x1	7/9

