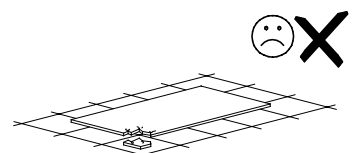
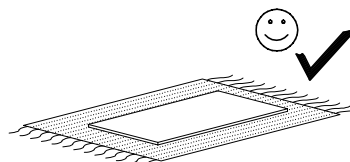
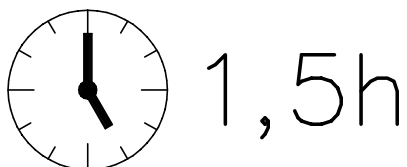
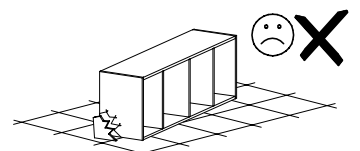
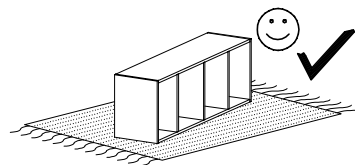
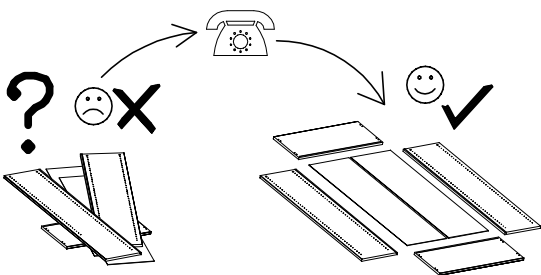
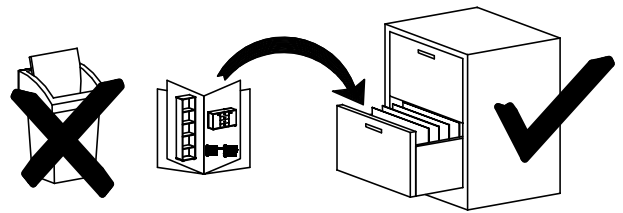
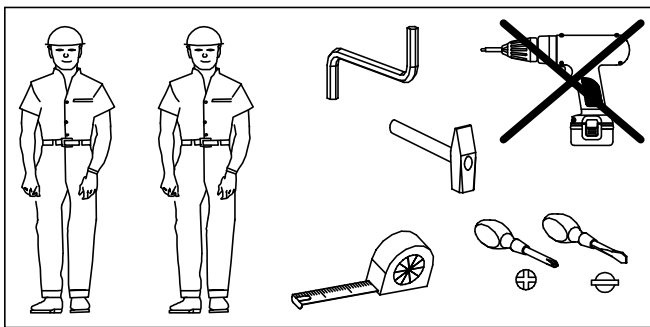
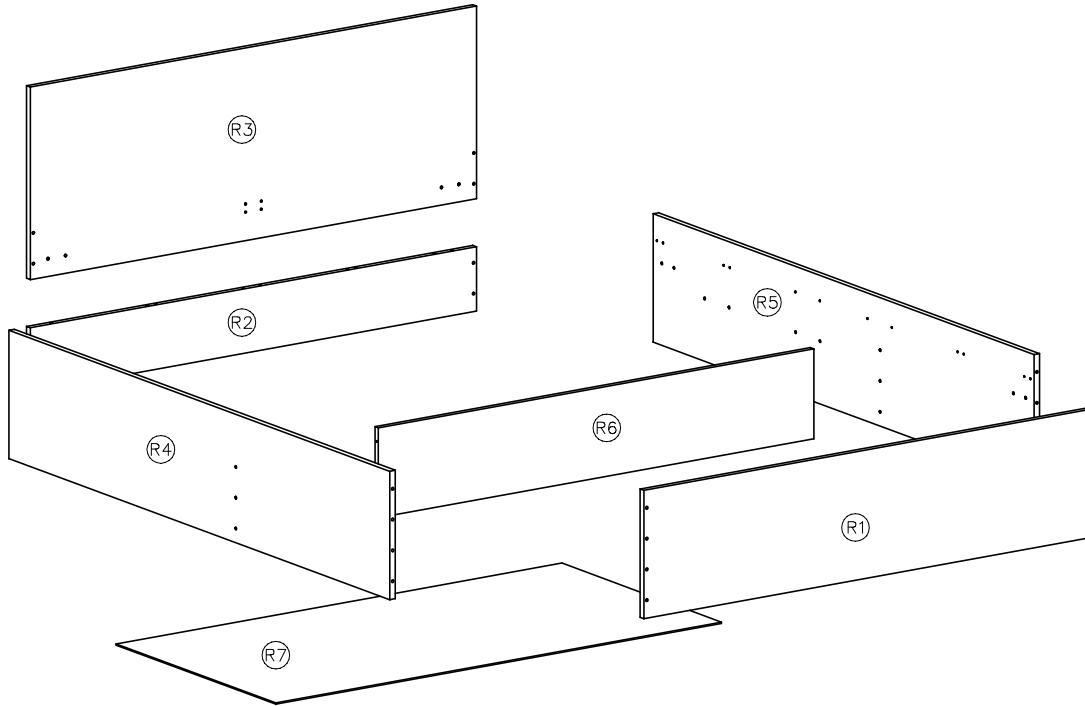
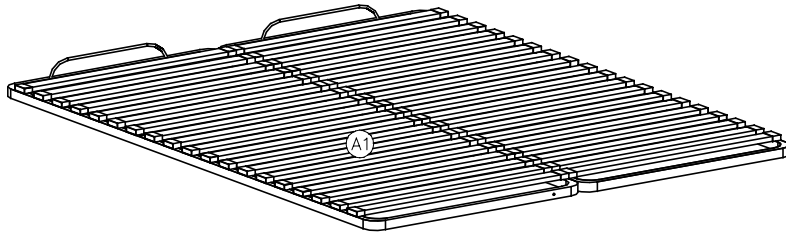
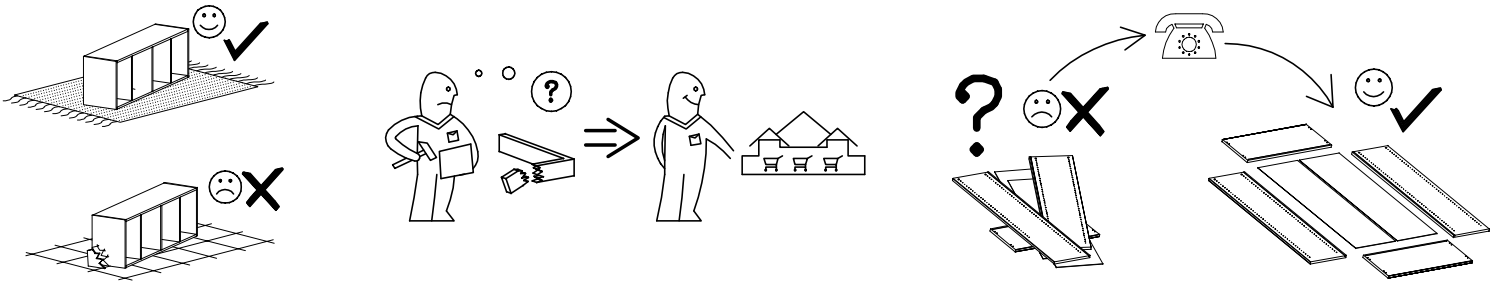


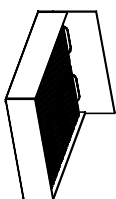
Panamax

automat

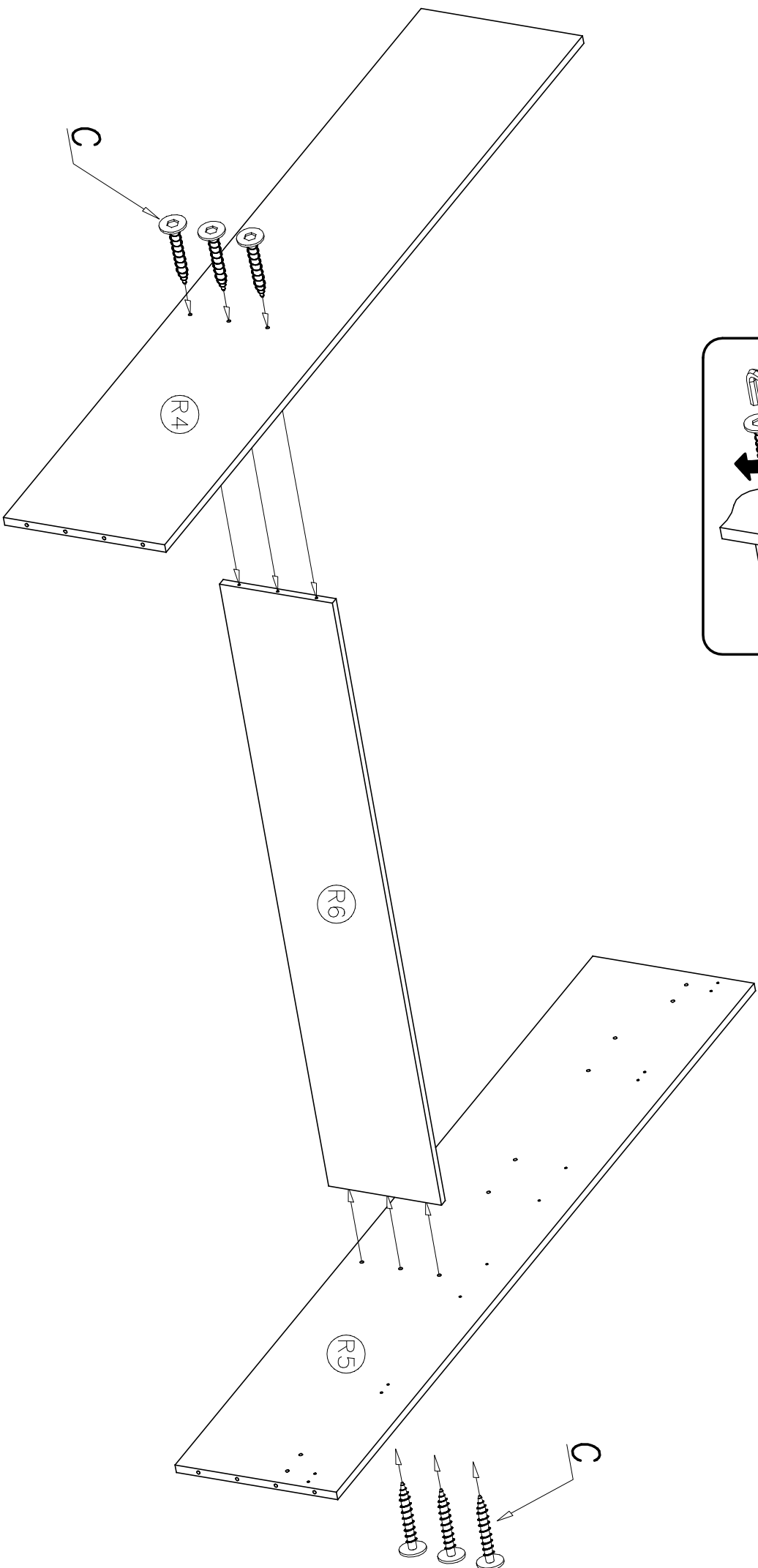
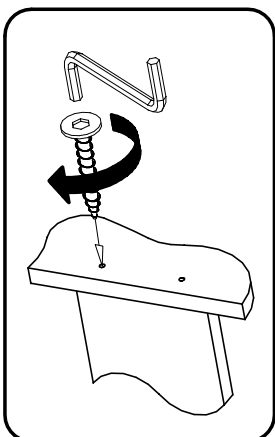




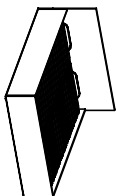
<p>L3a</p> <p>x1</p>	<p>L3b</p> <p>x1</p>	<p>P4</p> <p>x4</p>		
		<p>J</p> <p>x50</p>	<p>G1</p> <p>x1</p>	<p>N30</p> <p>M6x15 x24</p>
<p>I5</p> <p>x24</p>	<p>M12</p> <p>x4</p>	<p>C</p> <p>6x50 x22</p>	<p>G2</p> <p>x1</p>	<p>B3</p> <p>ø6x50 x10</p>



1



C
6x50
x6



||

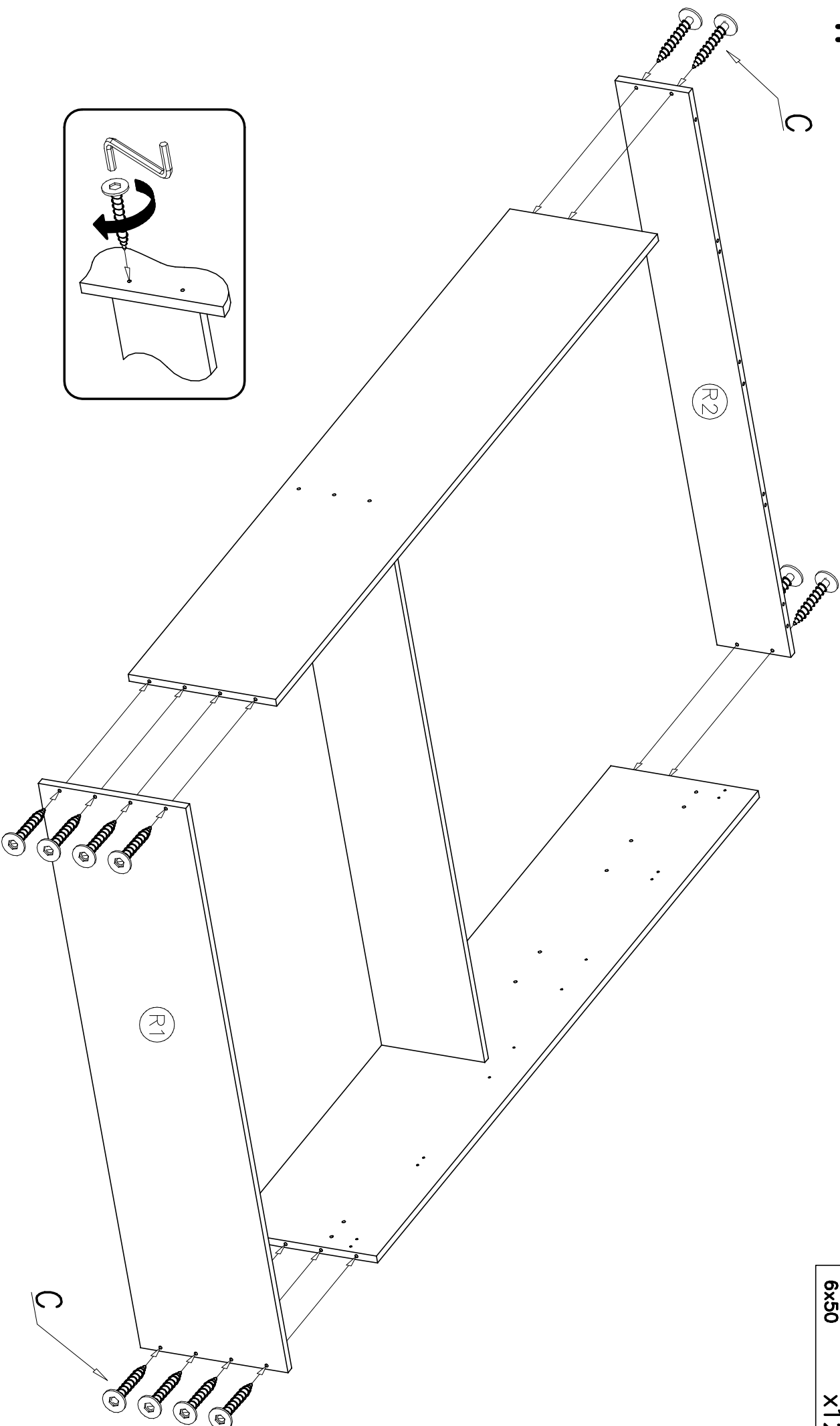
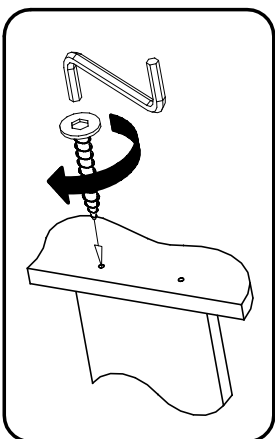
C

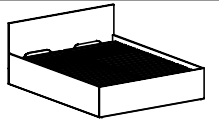
R2

R1

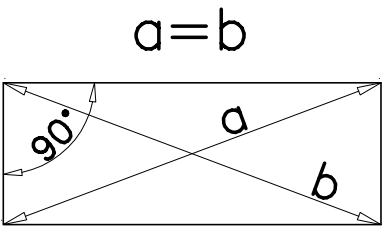
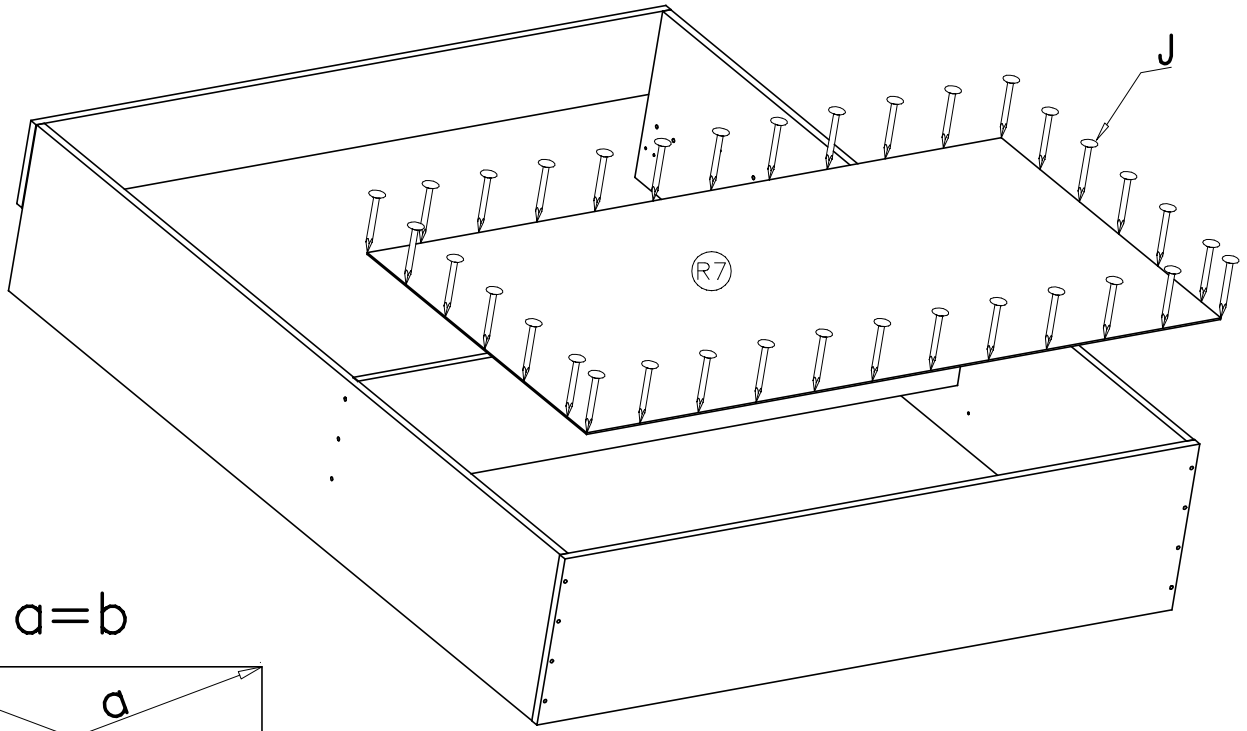
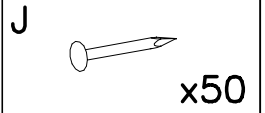
C

C
6x50 X12

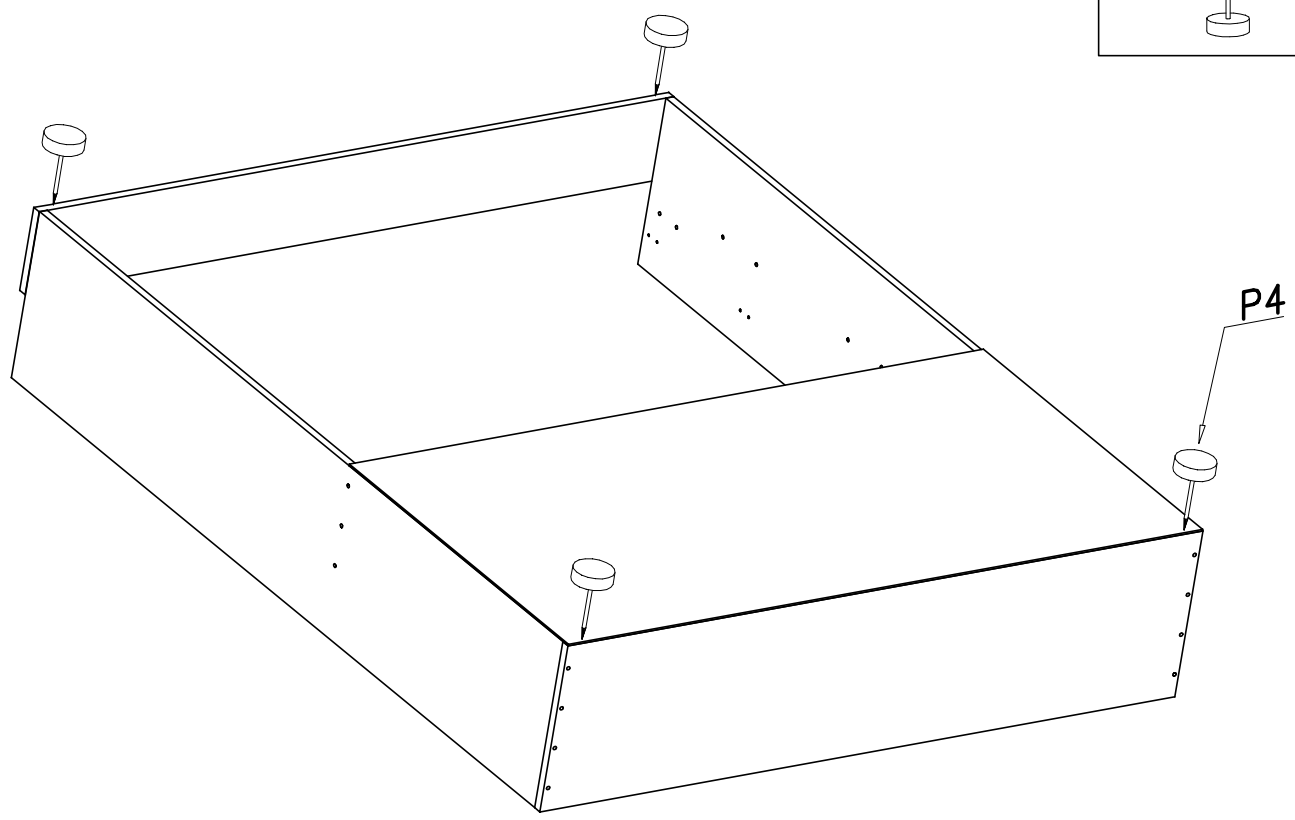
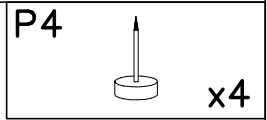


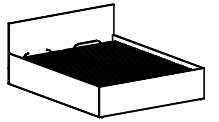


III



IV



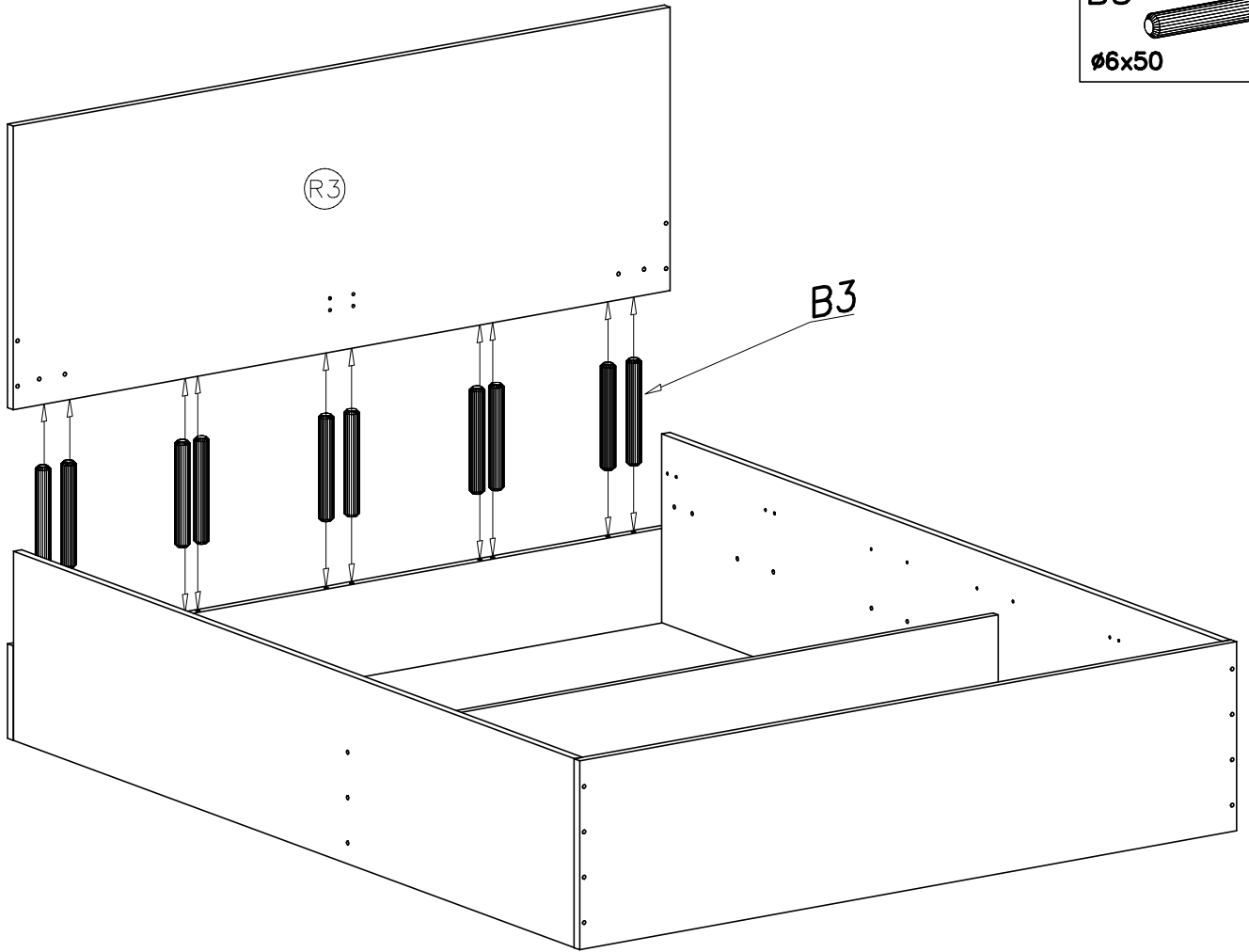


V

B3

∅6x50

x10

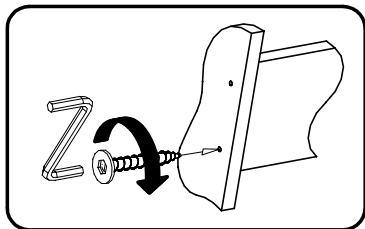
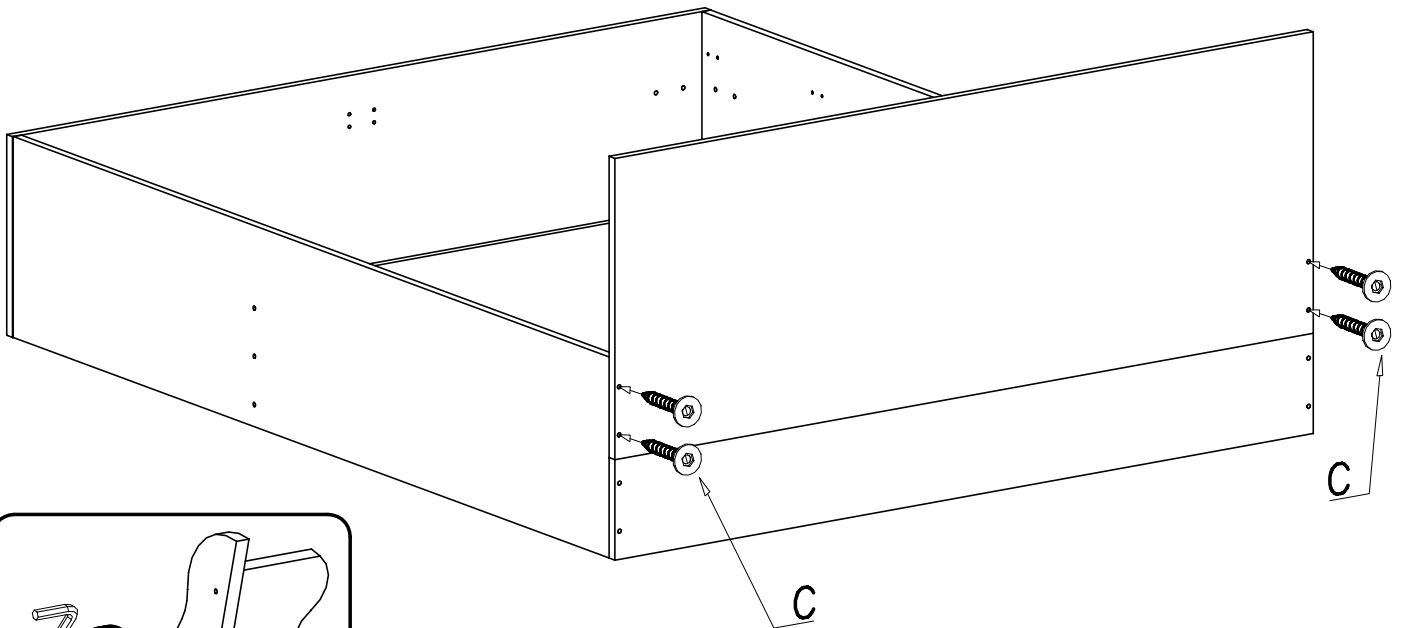
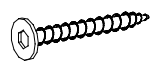


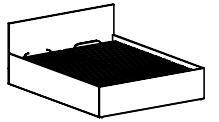
VI

C


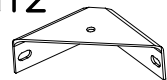

6x50

x4

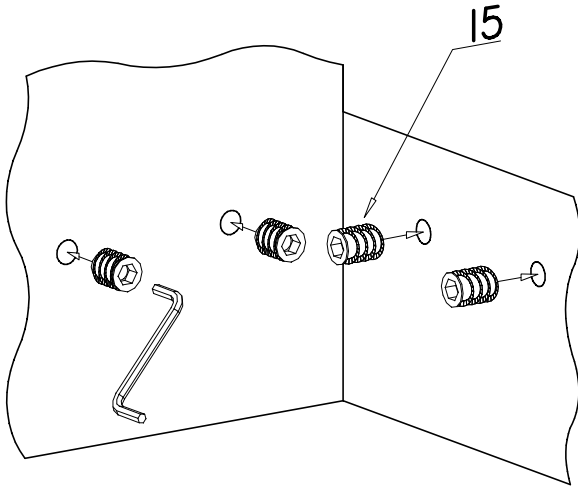




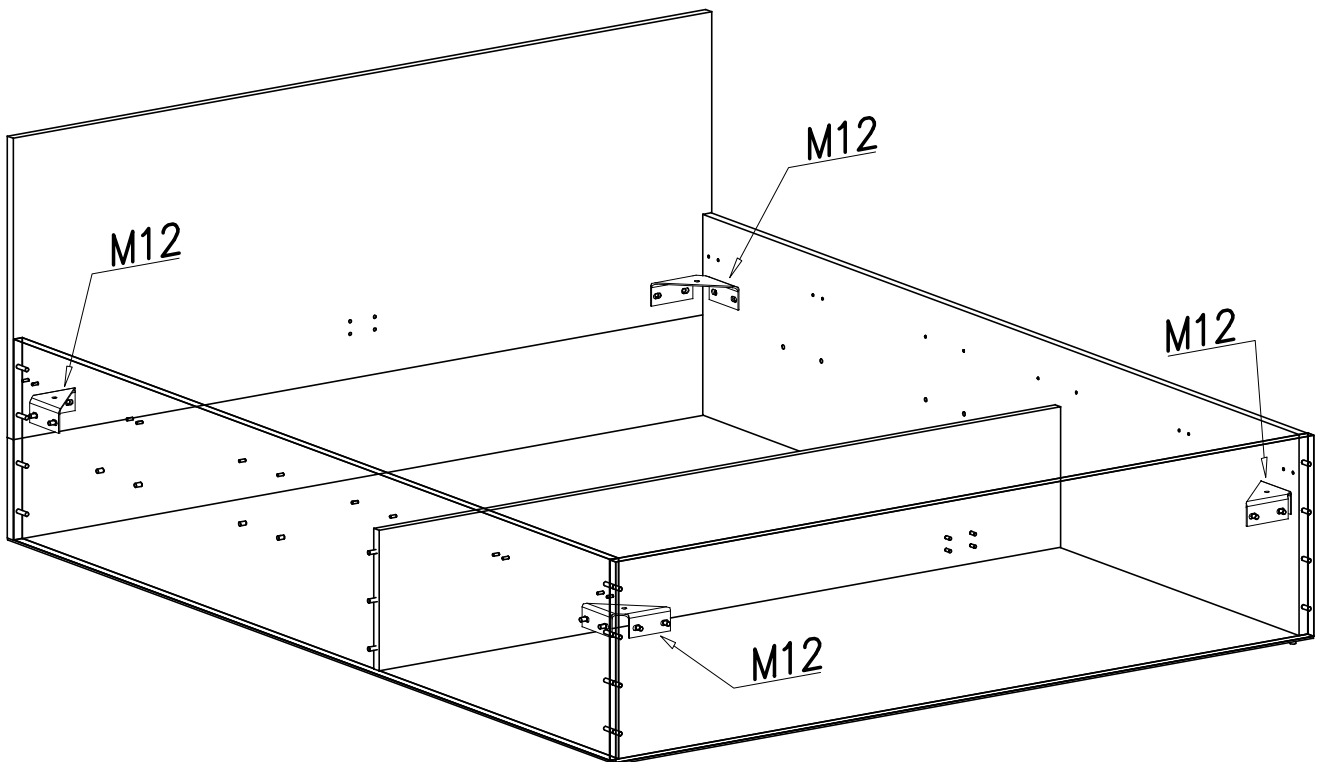
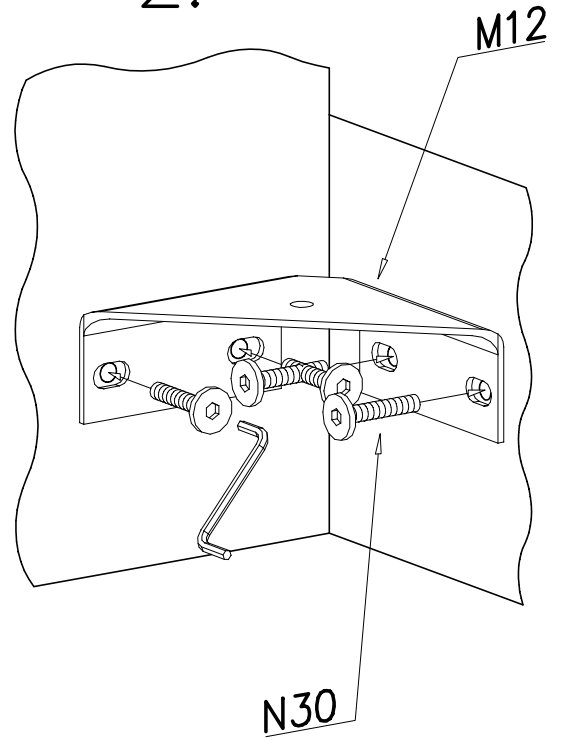
VII

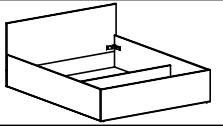
I5		x16	M12		x4	N30		M6x20	x16
----	---	-----	-----	---	----	-----	---	-------	-----

1.



2.



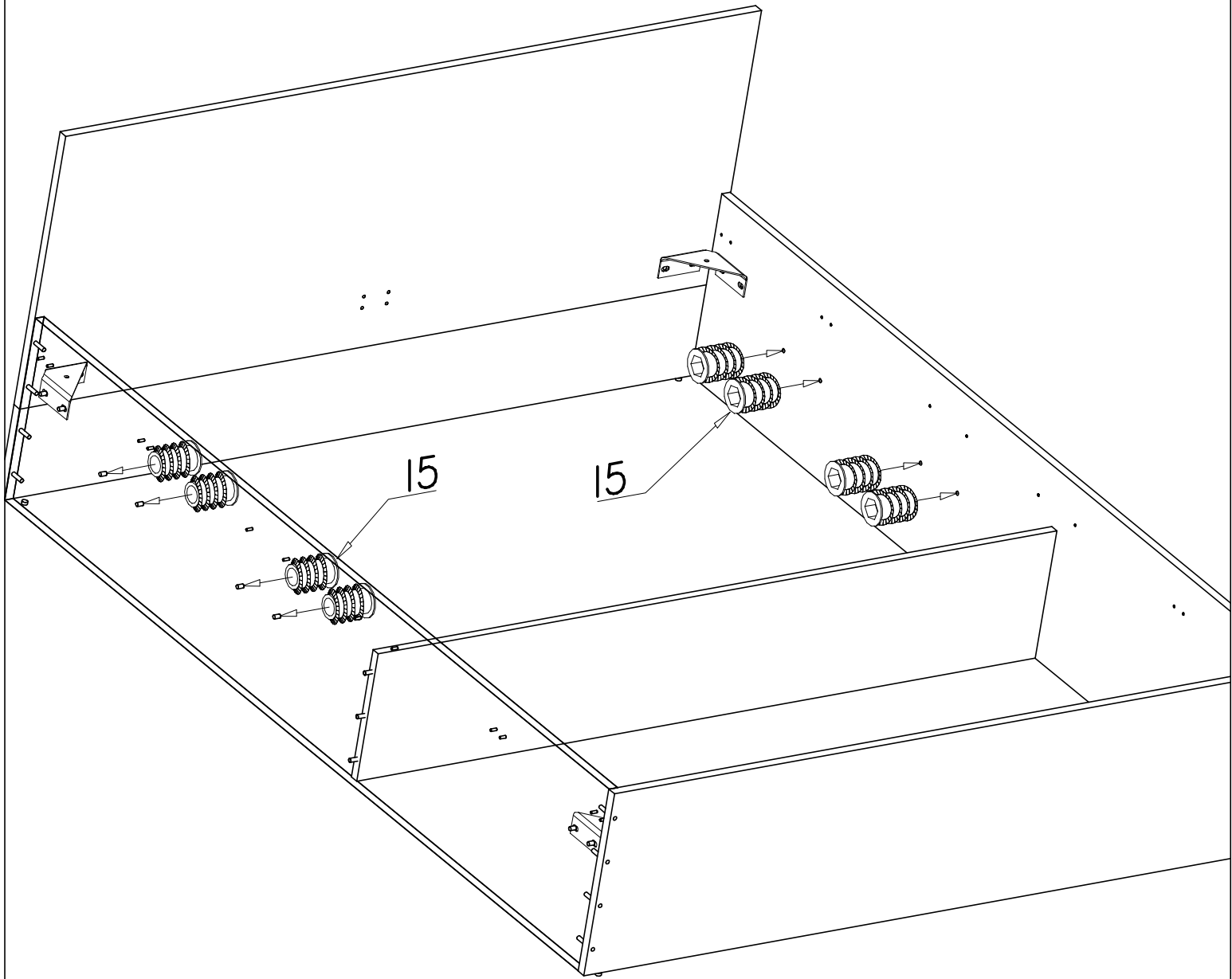


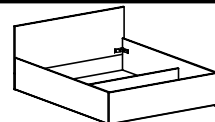
VIII

15



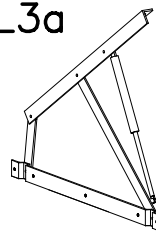
x8





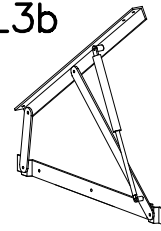
IX

L3a



x1

L3b



x1

N30



M6x20

x8

