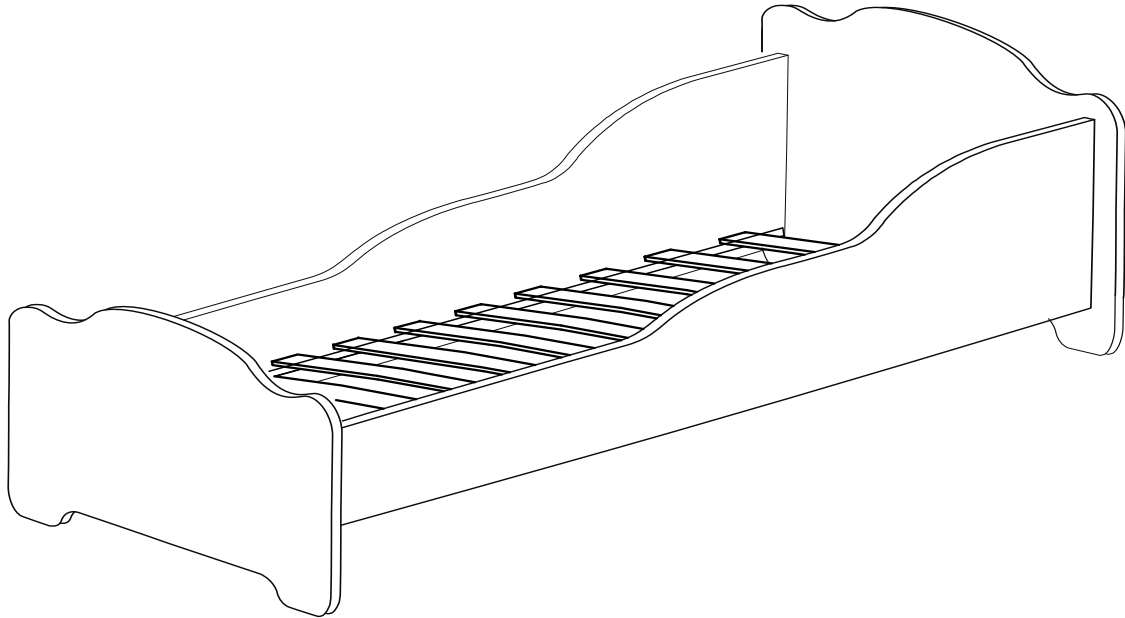
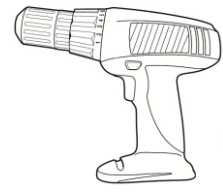
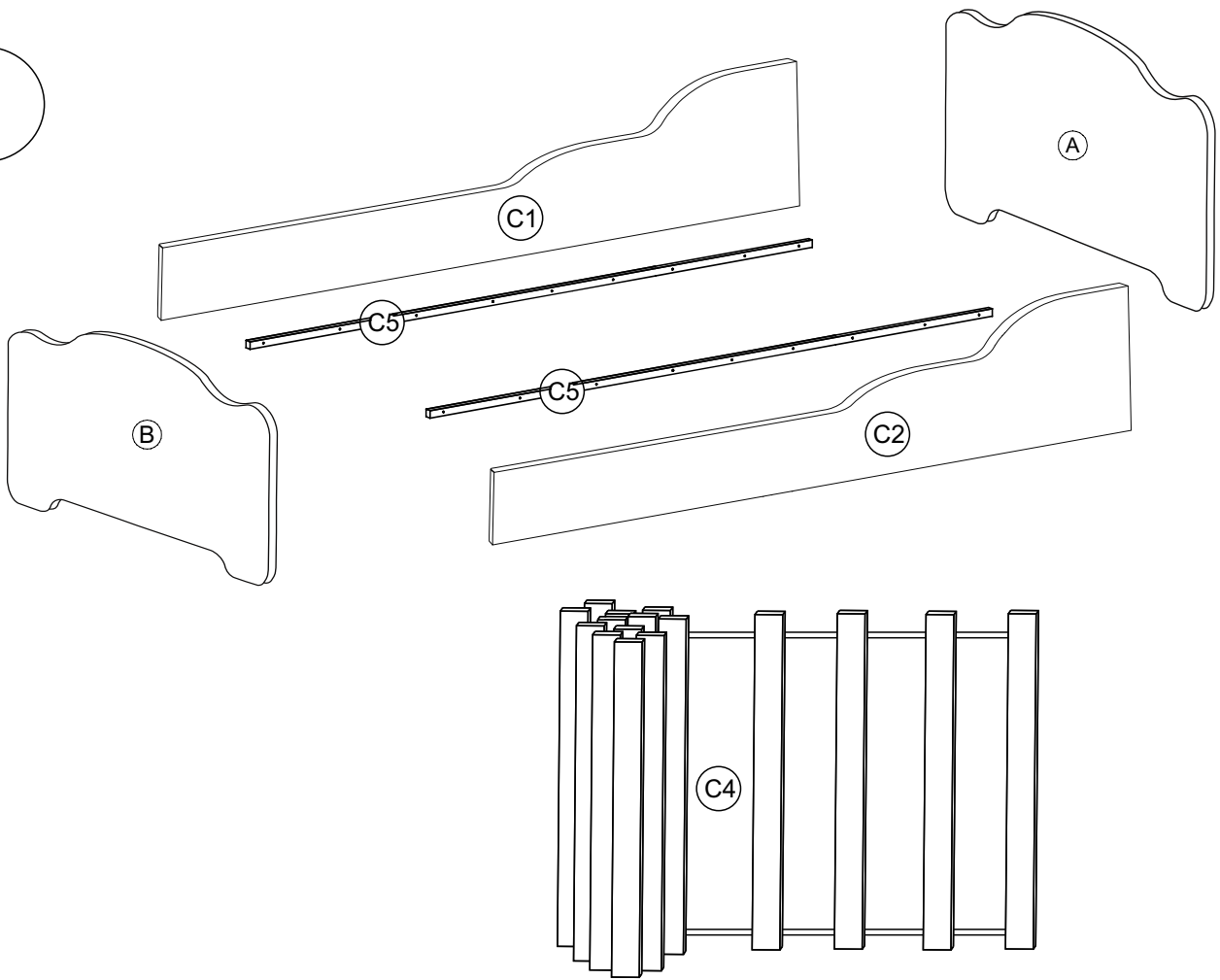


1

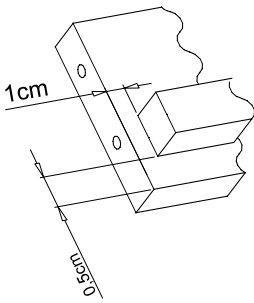



S1		10
S2		10
S3 3,5x20		6
S4		1
S5 4,0x30		18
S6		4
S7		

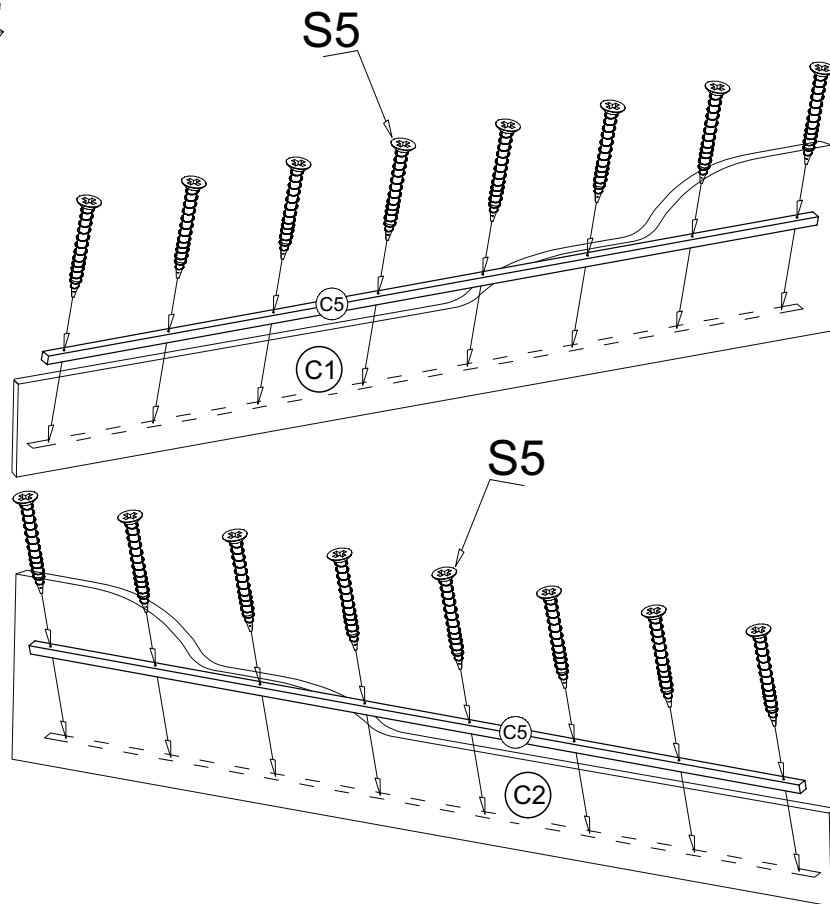
2



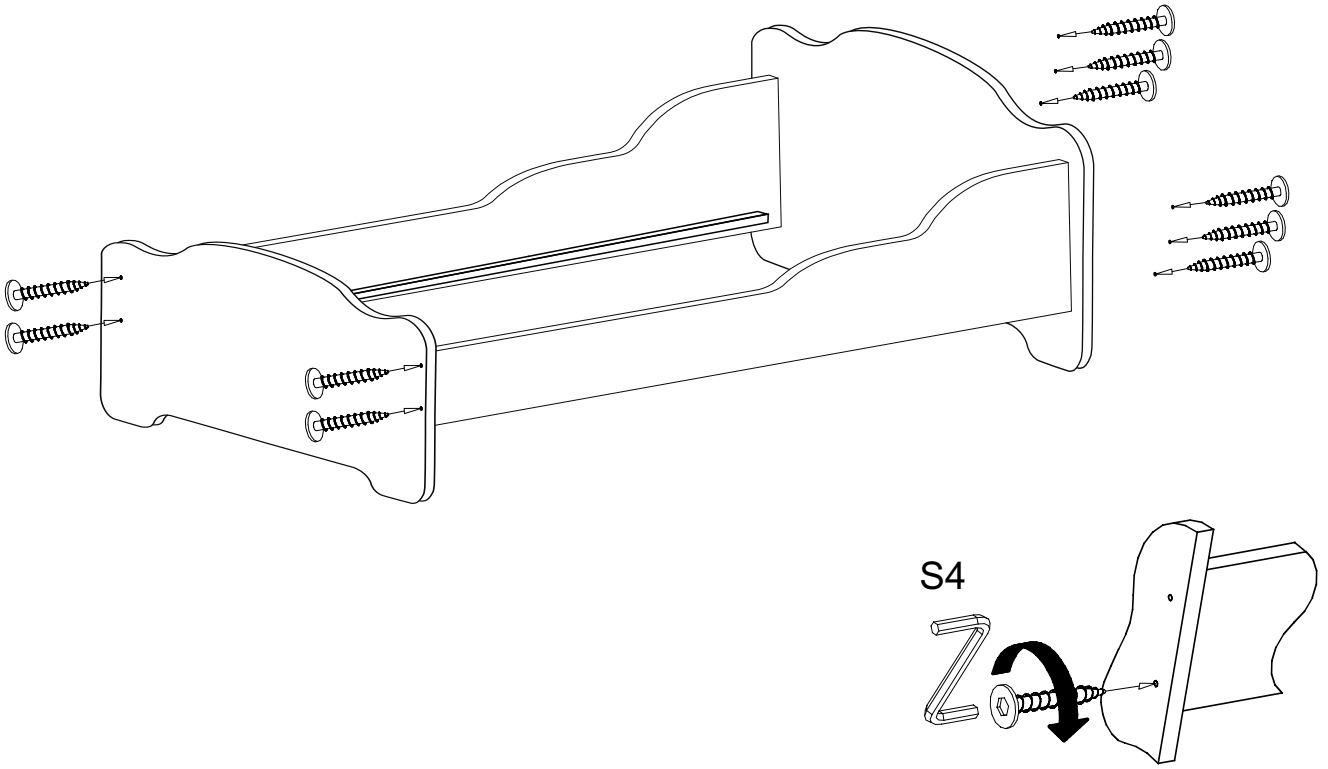
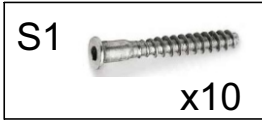
3



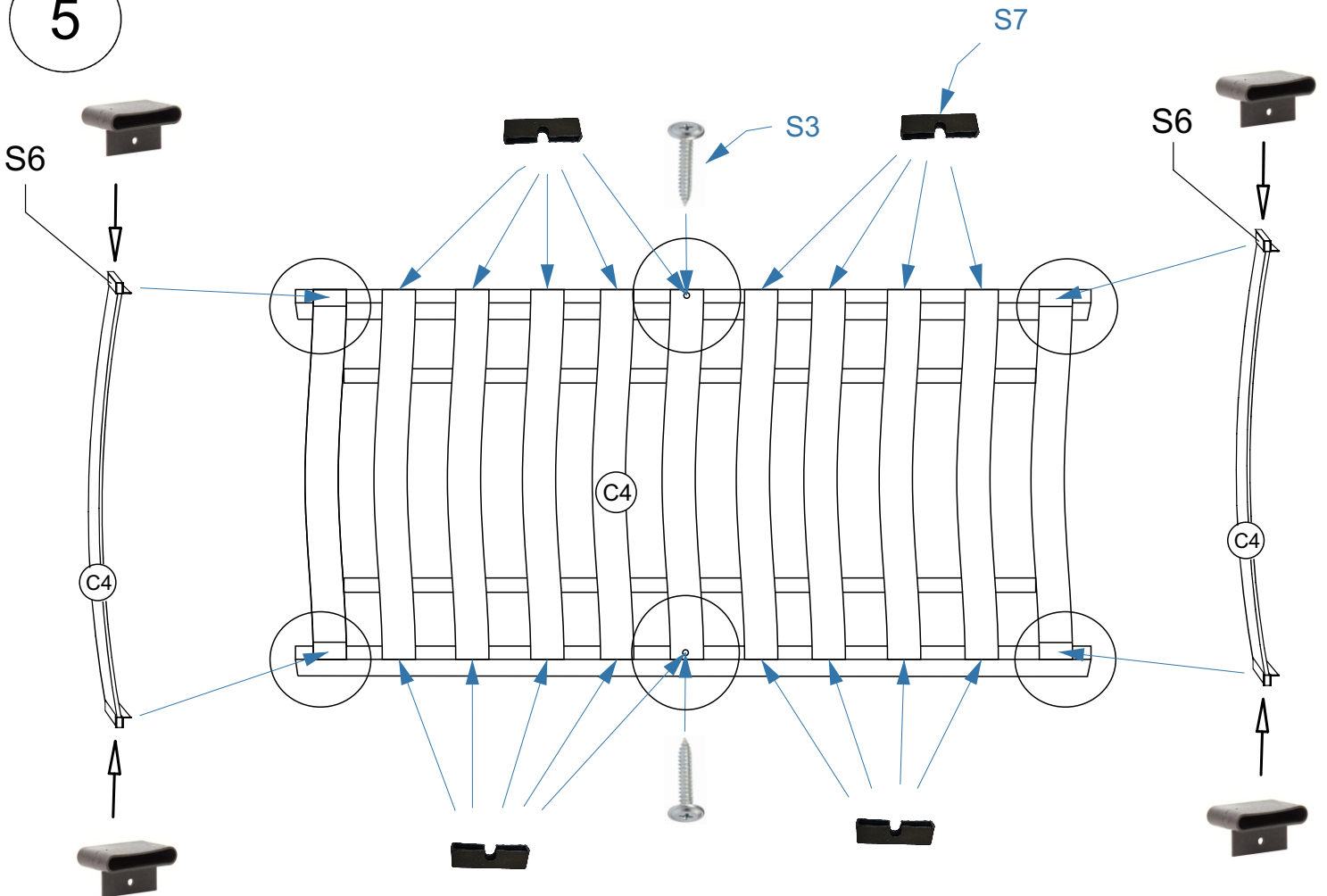
S5 
4,0x30 x18



4



5



6

S3
3,5x20 x6

