



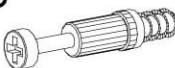





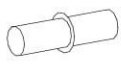



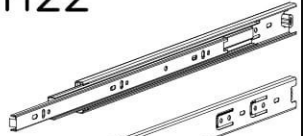


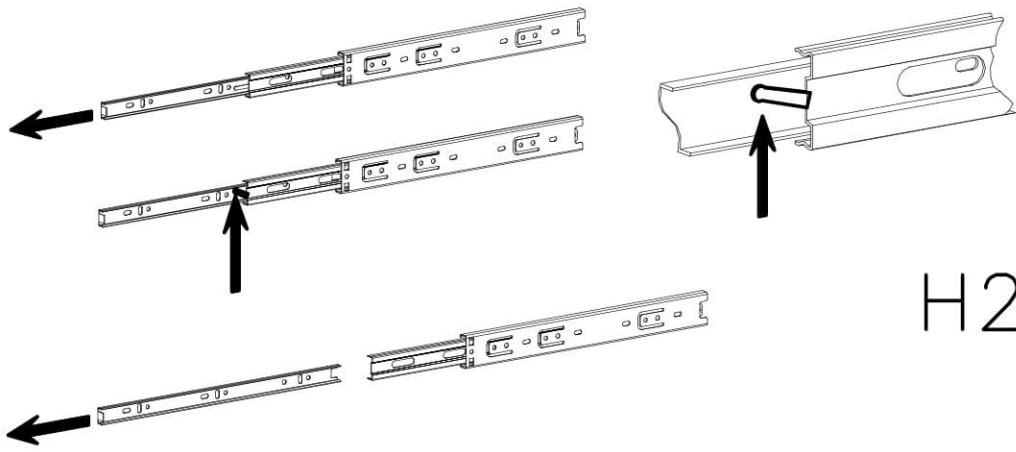
<b>A2</b>  ø7x70 x2
<b>E17</b>  x3
<b>G34</b>  3,5x16 x30
<b>A1</b>  ø7x50 x12

<b>K5</b>  x26
<b>B3</b>  ø8x50 x8
<b>N31</b>  M8x50 x3

<b>G21</b>  3x16 x30
<b>K1</b>  ø15x12 x26
<b>I7</b>  ø18 x26

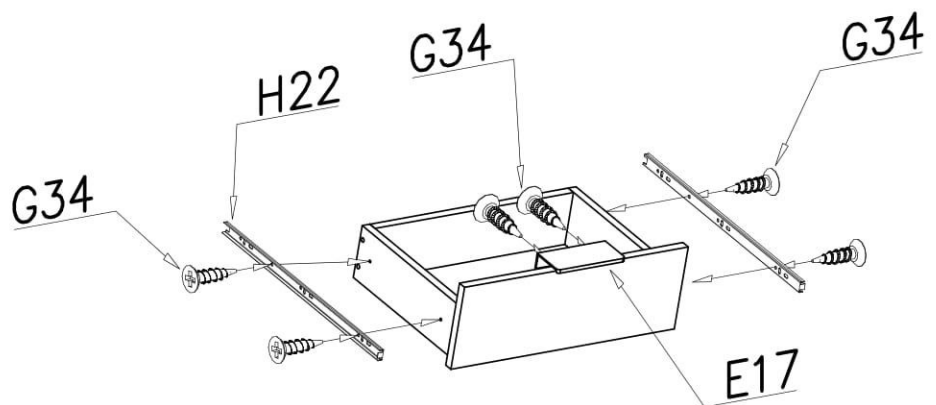
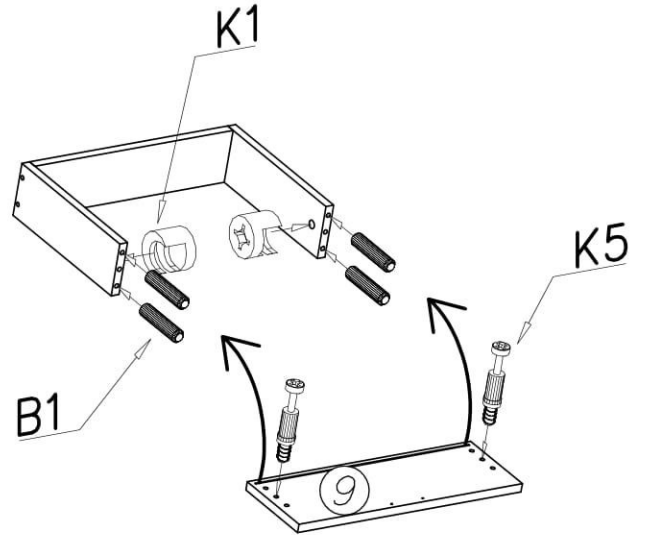
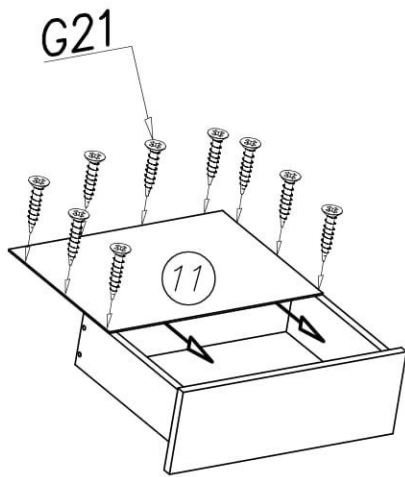
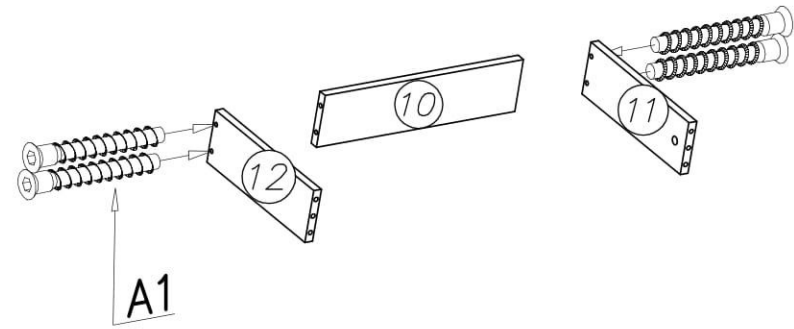
<b>F2</b>  x4
<b>W2</b>  4mm x1
<b>B1</b>  ø8x35 x26

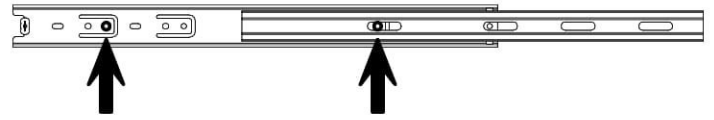
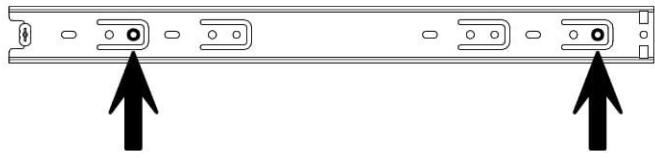
<b>W3</b>  5mm x1
<b>H22</b>  x3



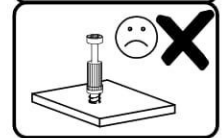
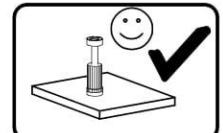
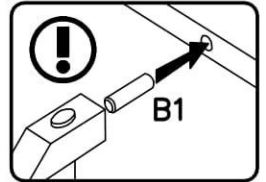
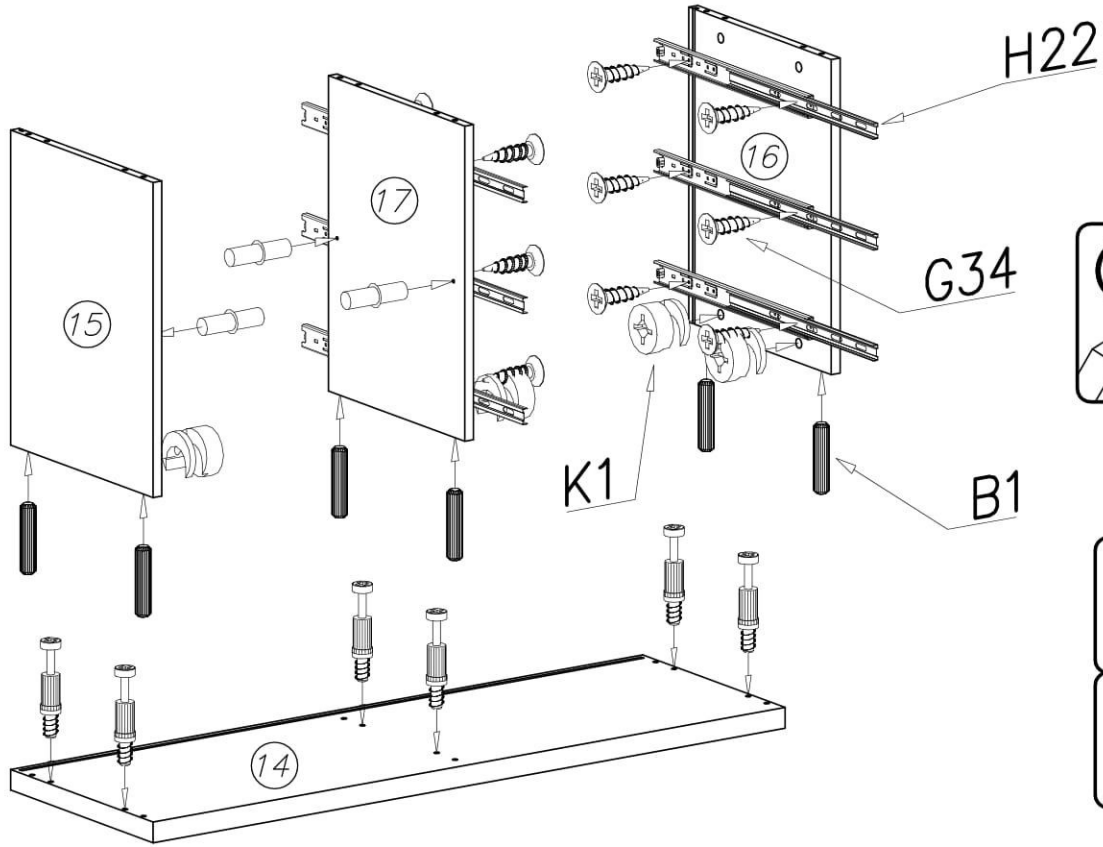
H22

1

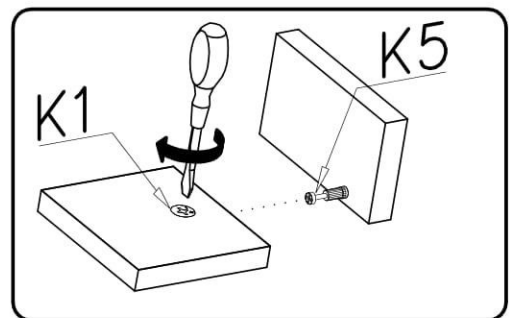
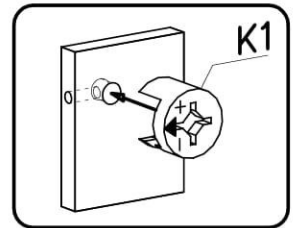
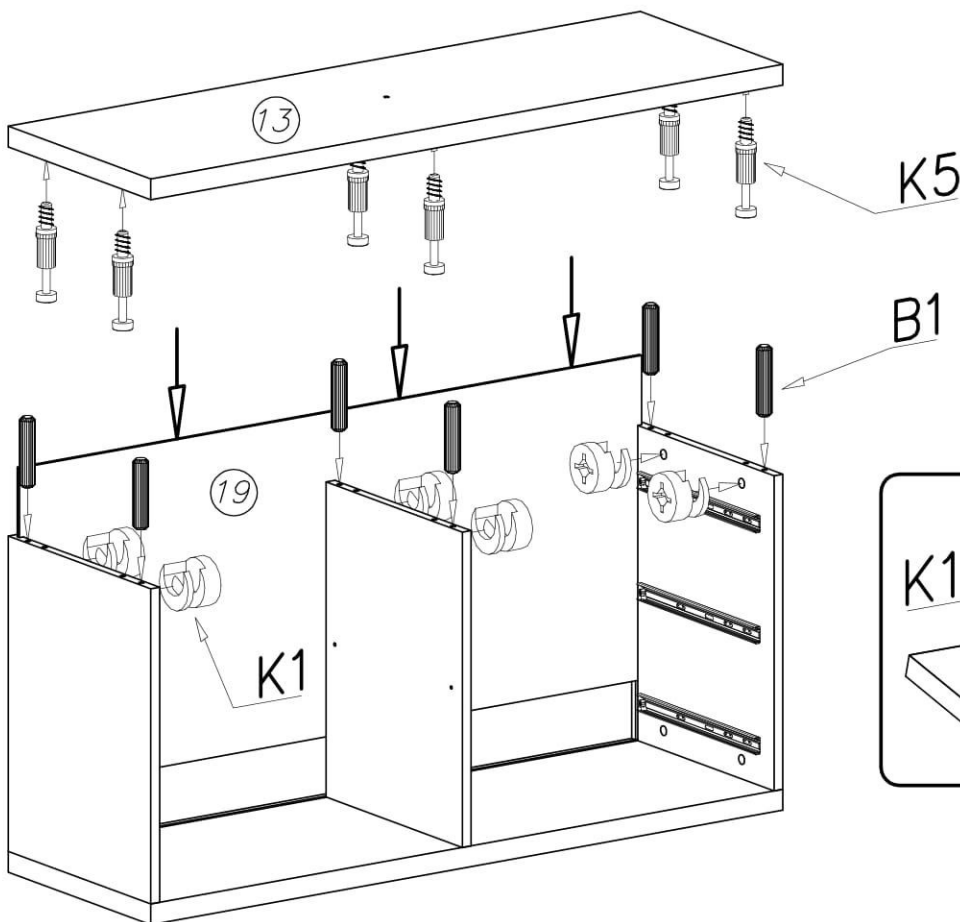




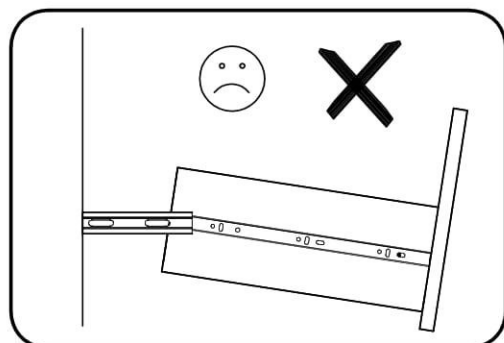
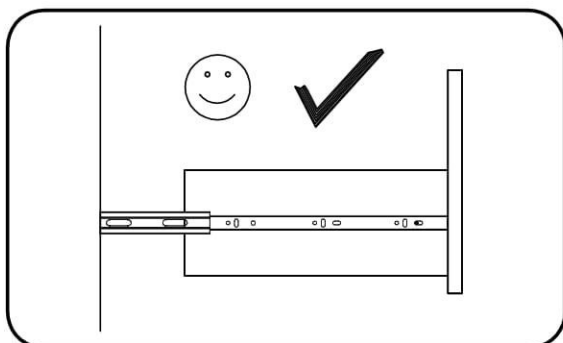
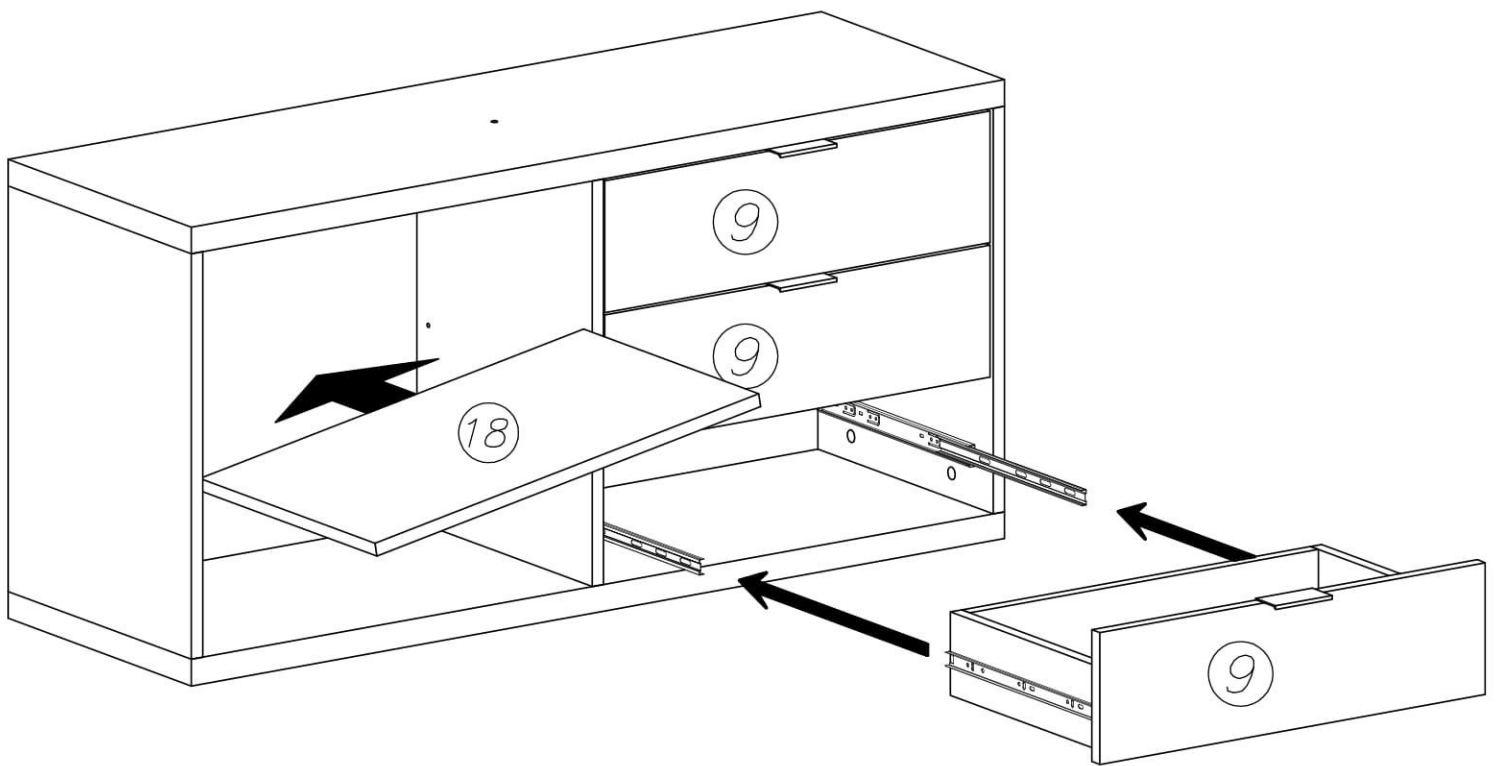
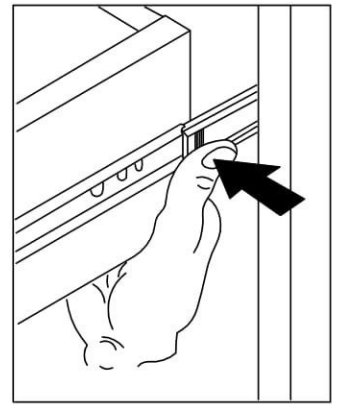
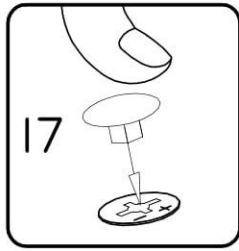
2



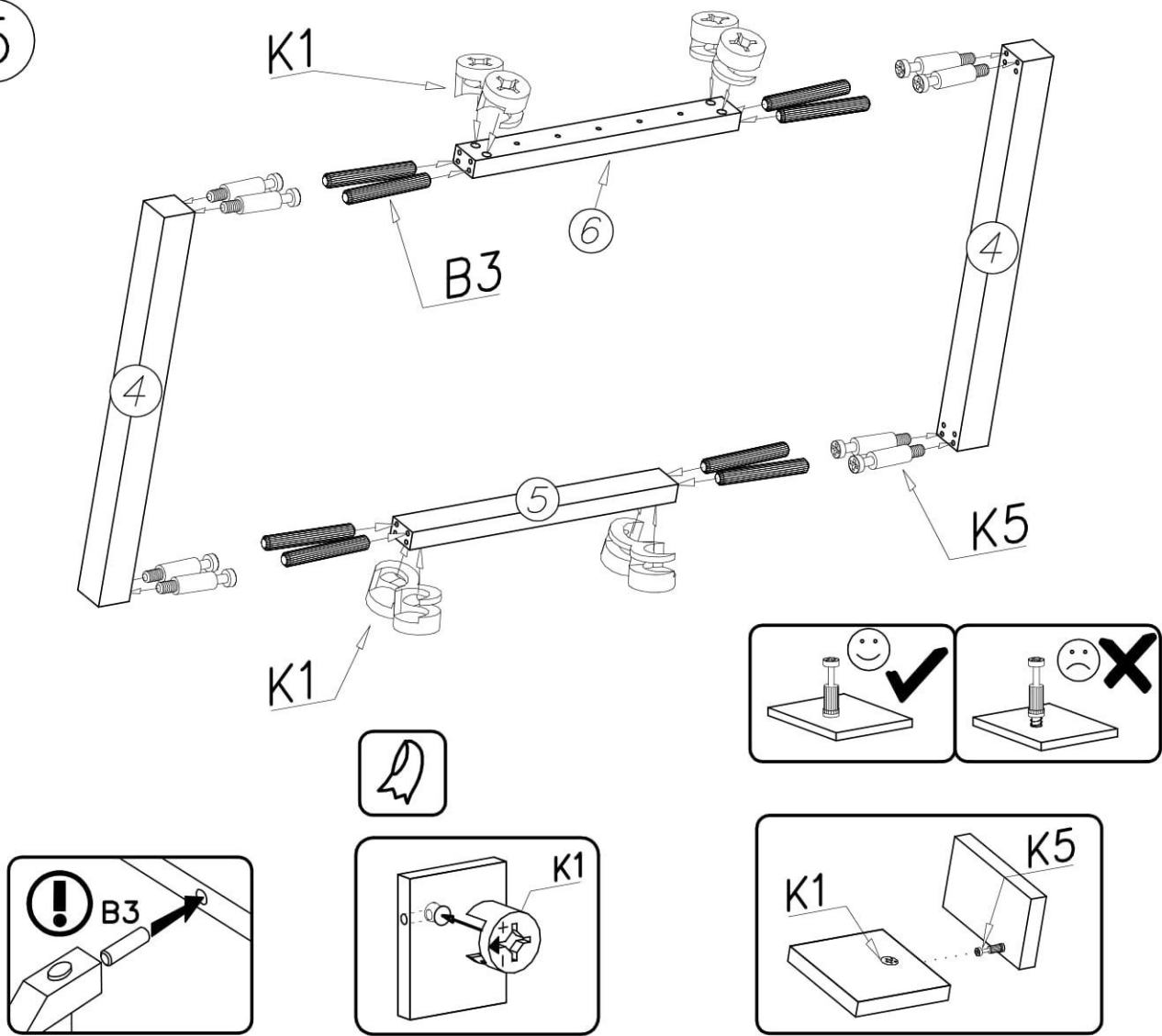
3



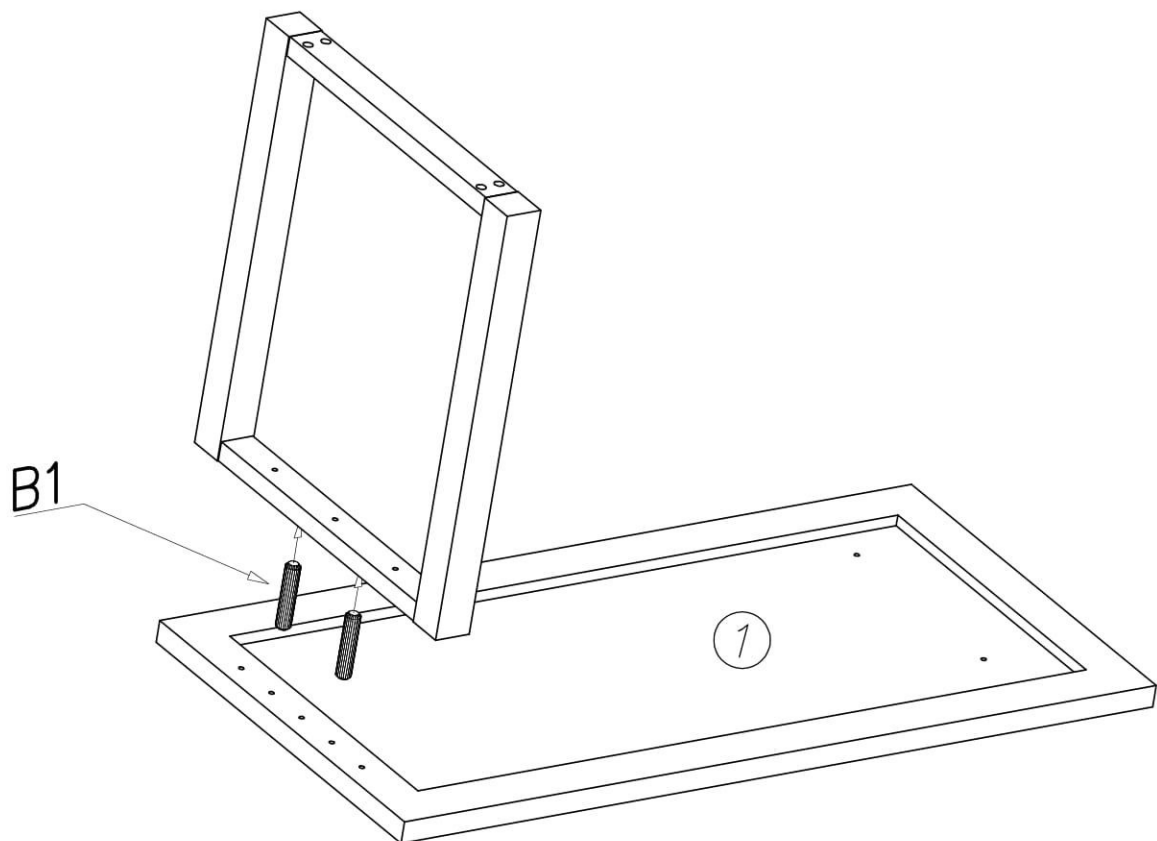
4



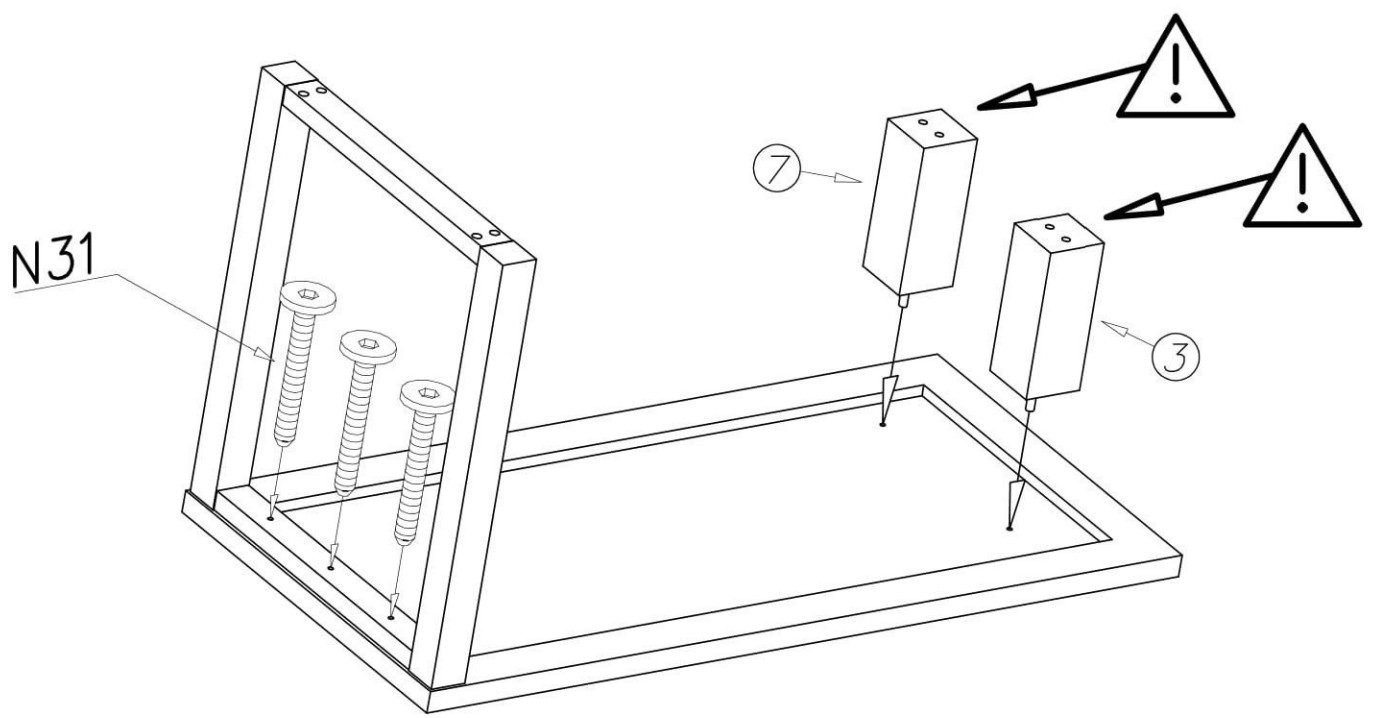
5



6



7



8

