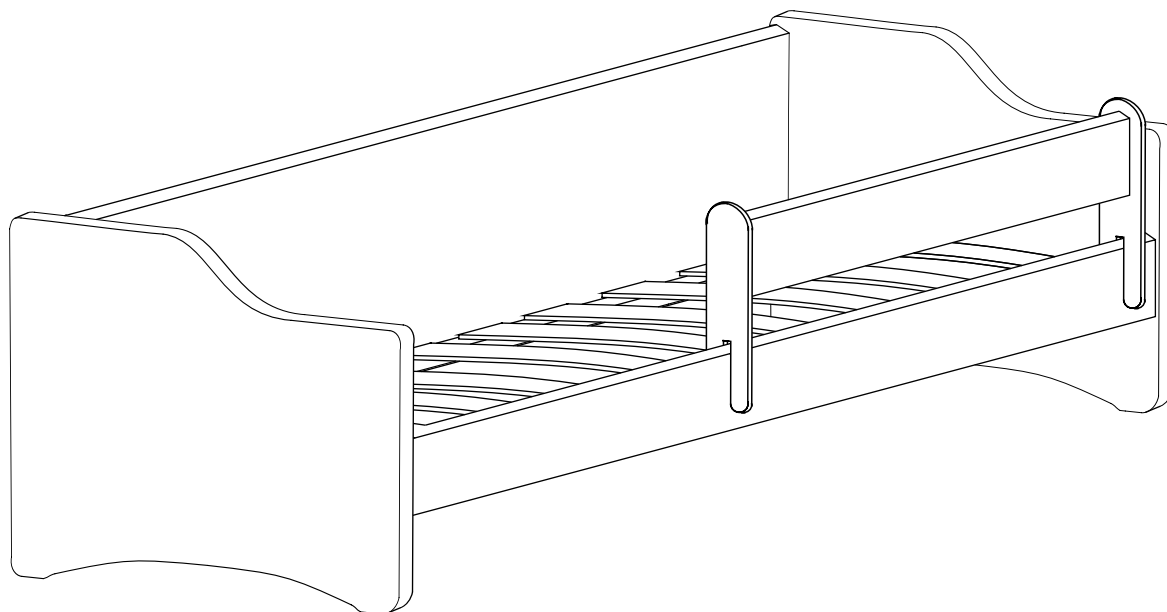
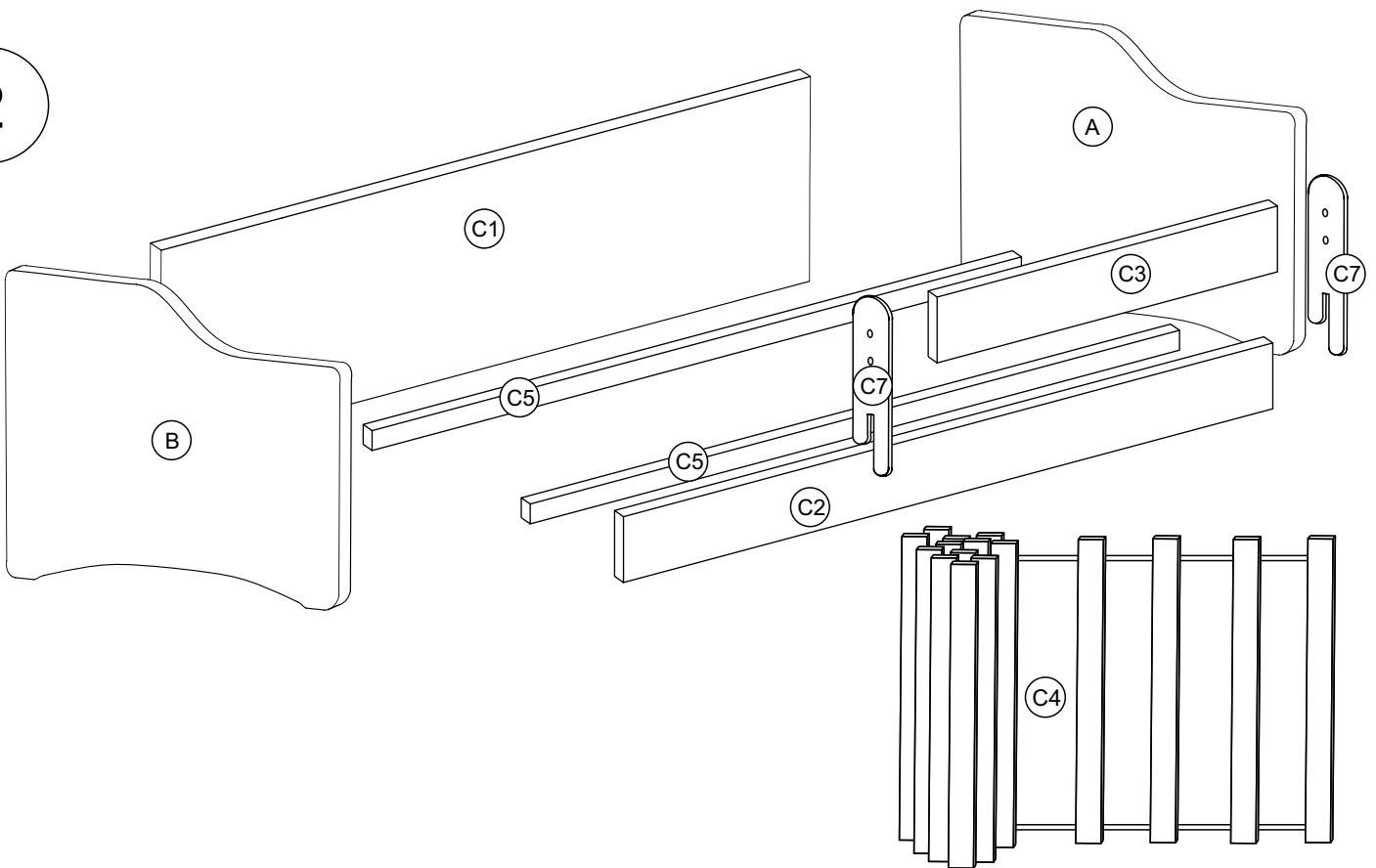


1

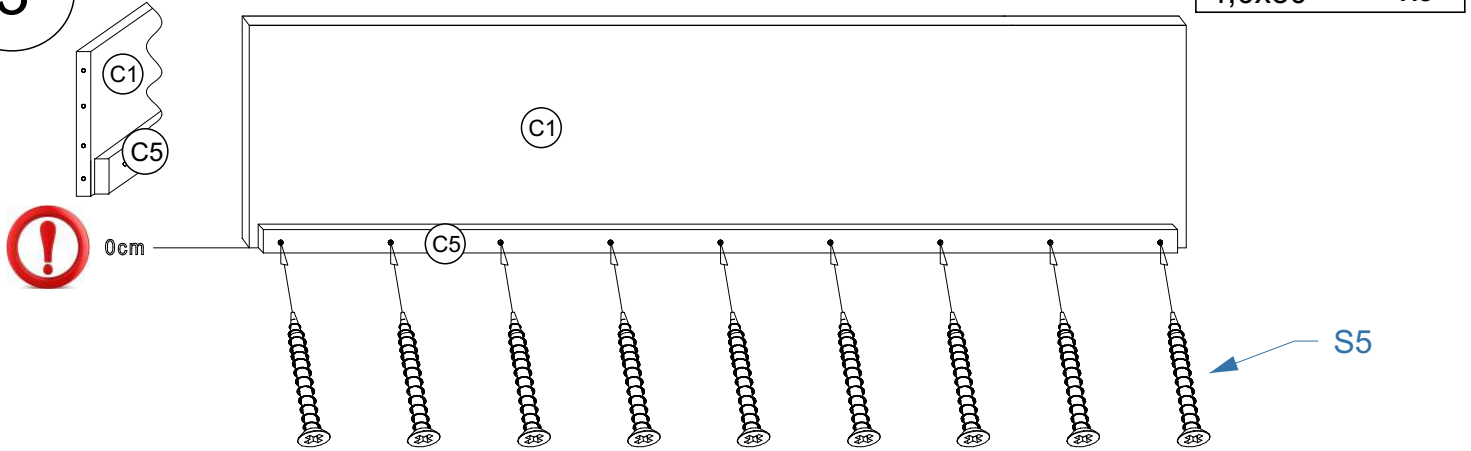


| | | |
|-----------|---|----|
| S1 |  | 16 |
| S2 |  | 16 |
| S3 3,5x20 |  | 6 |
| S4 |  | 1 |
| S5 4,0x30 |  | 18 |
| S6 |  | 4 |
| S7 |  | 2 |
| S8 3,5x13 |  | 4 |
| S9 |  | |

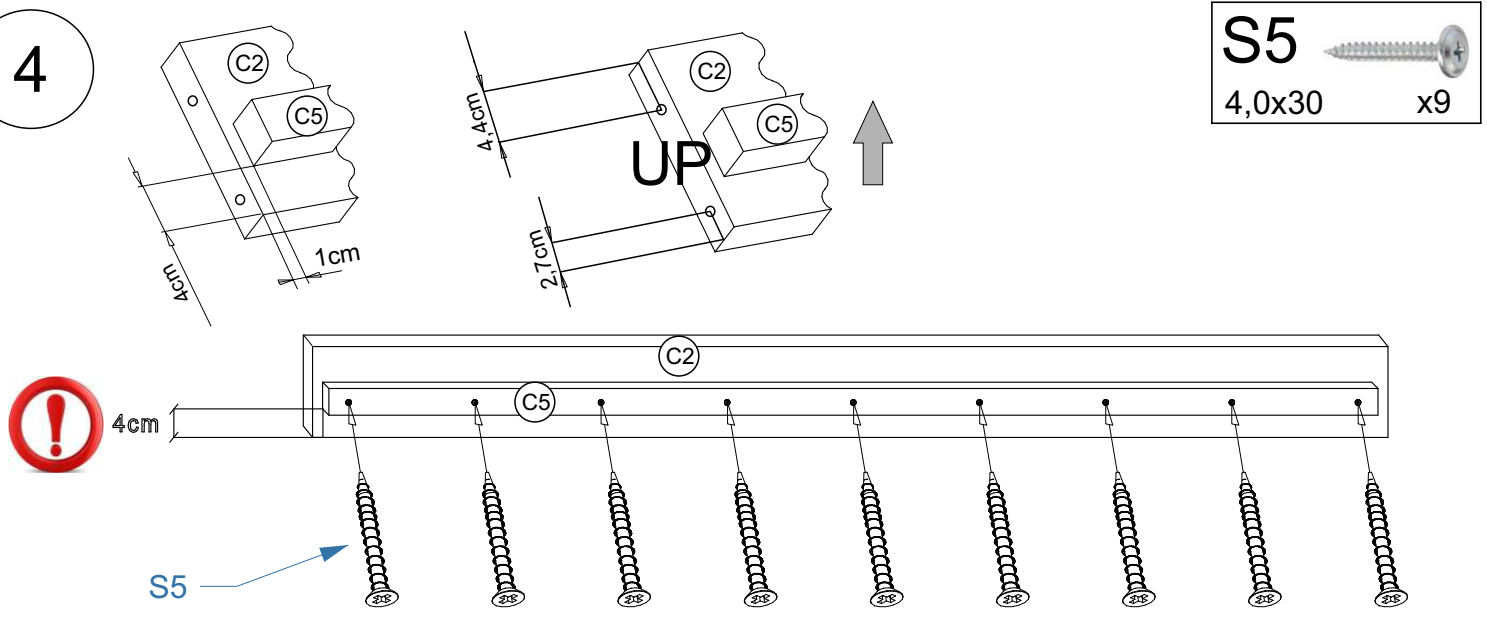
2



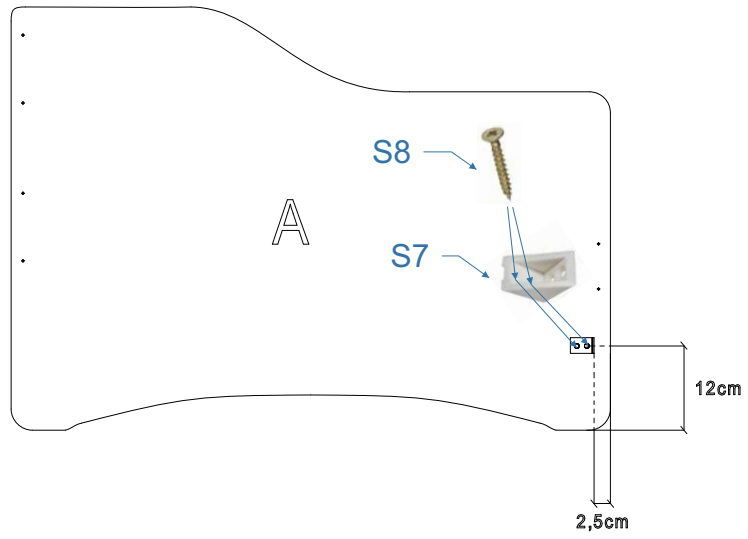
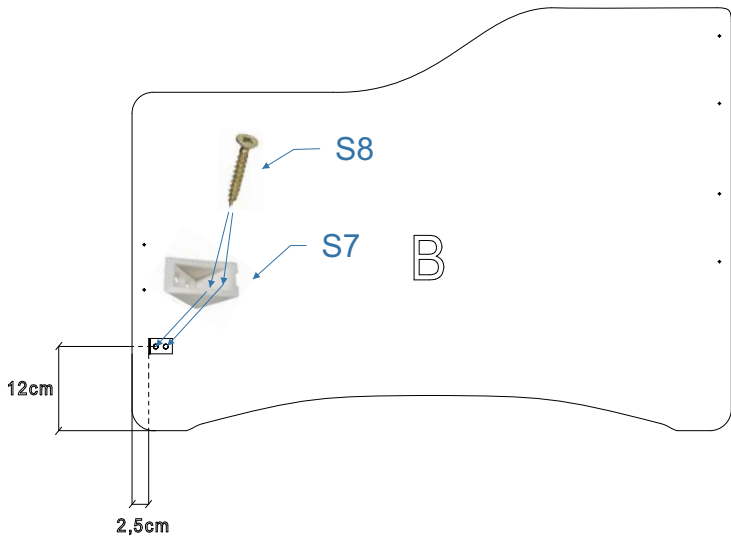
3



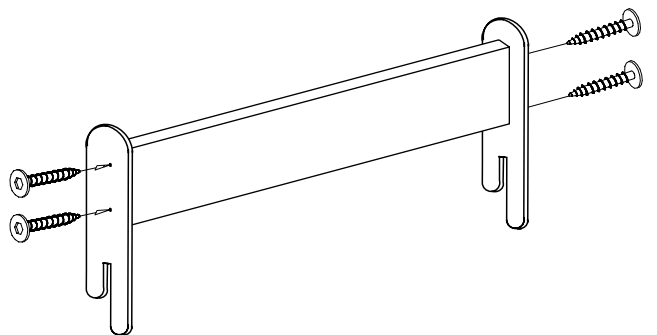
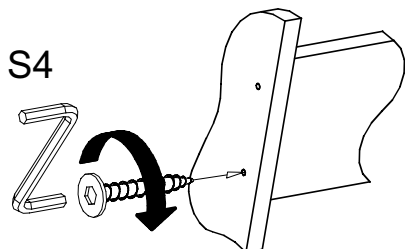
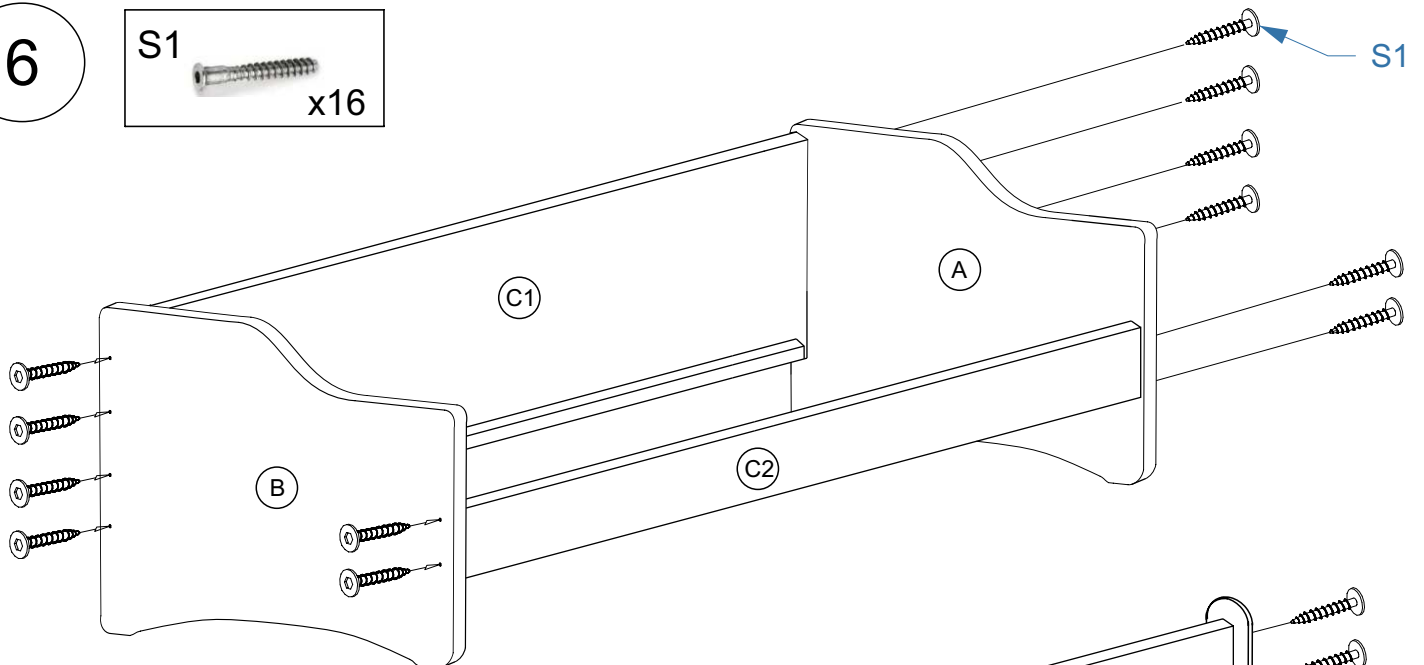
4



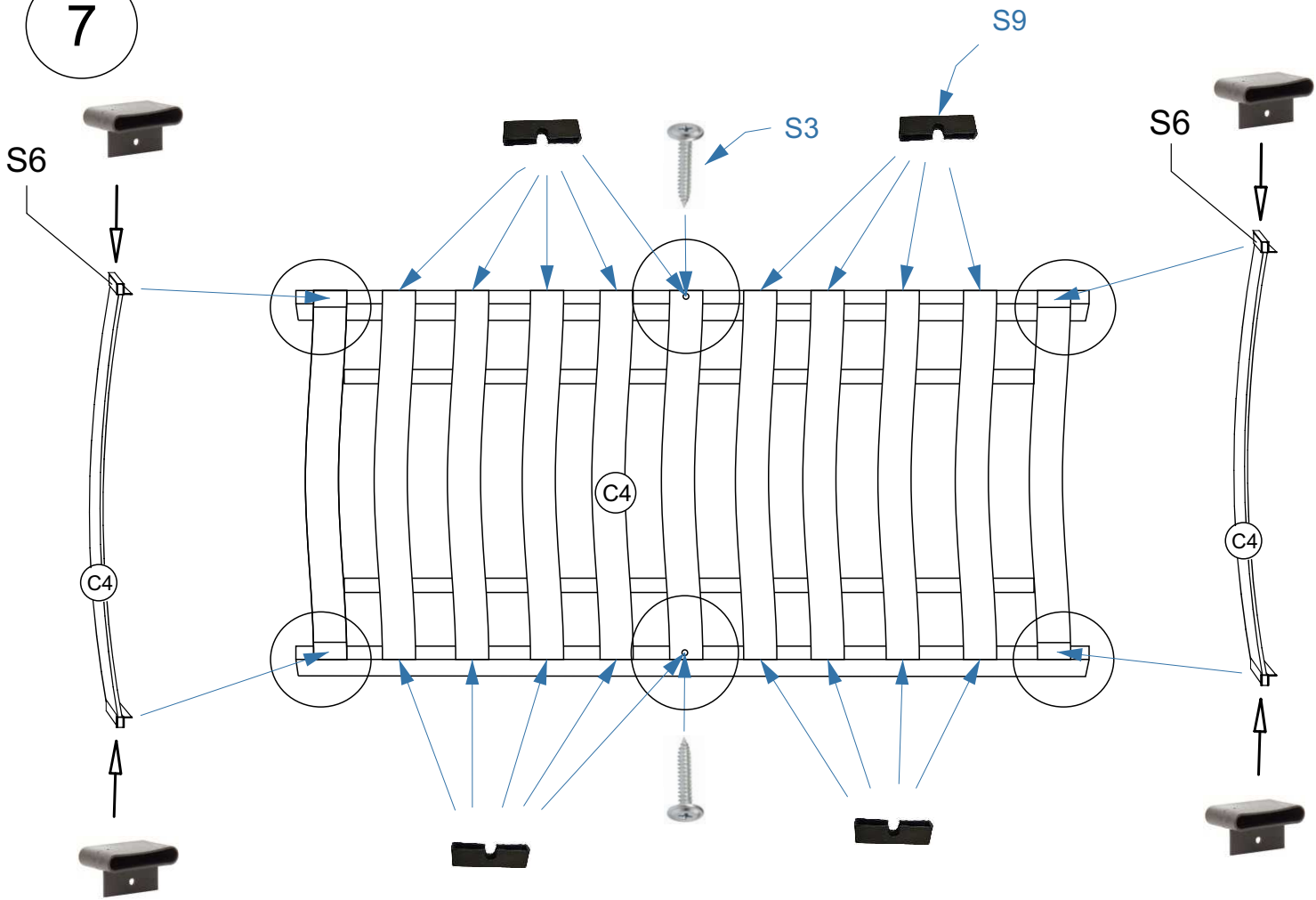
5



6

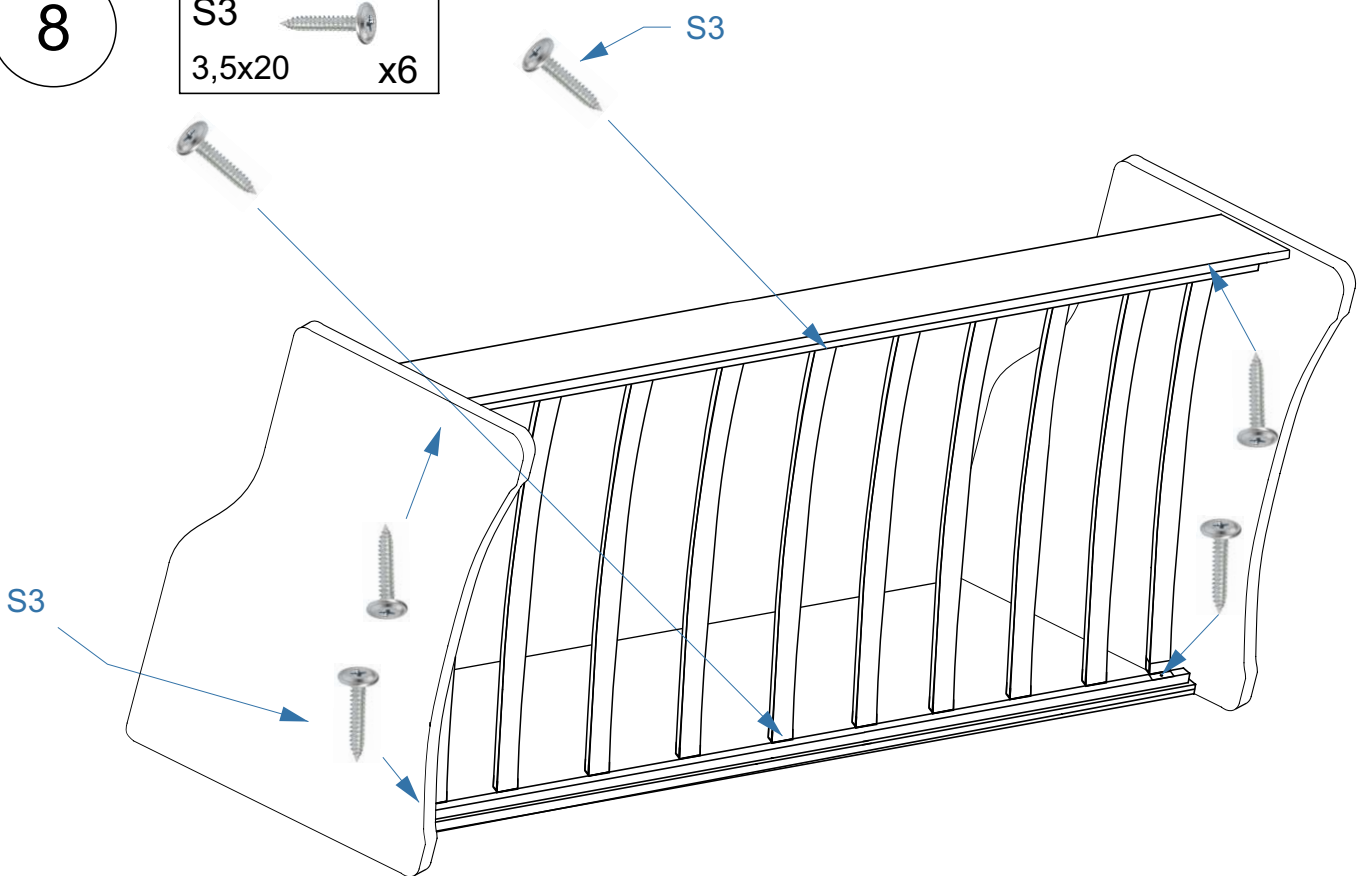


7








8

S3
3,5x20 x6



SZ/13

| | | | |
|-----|--------|---|-----|
| S1 | 6,4x50 |  | 8x |
| S3 | 3,5x4 |  | 2x |
| S5 | 4 |  | 1x |
| S7 | 3,5x2 |  | 24x |
| S8 | |  | 6x |
| S9 | |  | 1x |
| S10 | |  | 2x |
| S11 | |  | 4x |
| S12 | 8x32 |  | 1x |

