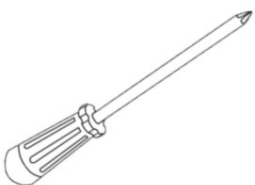
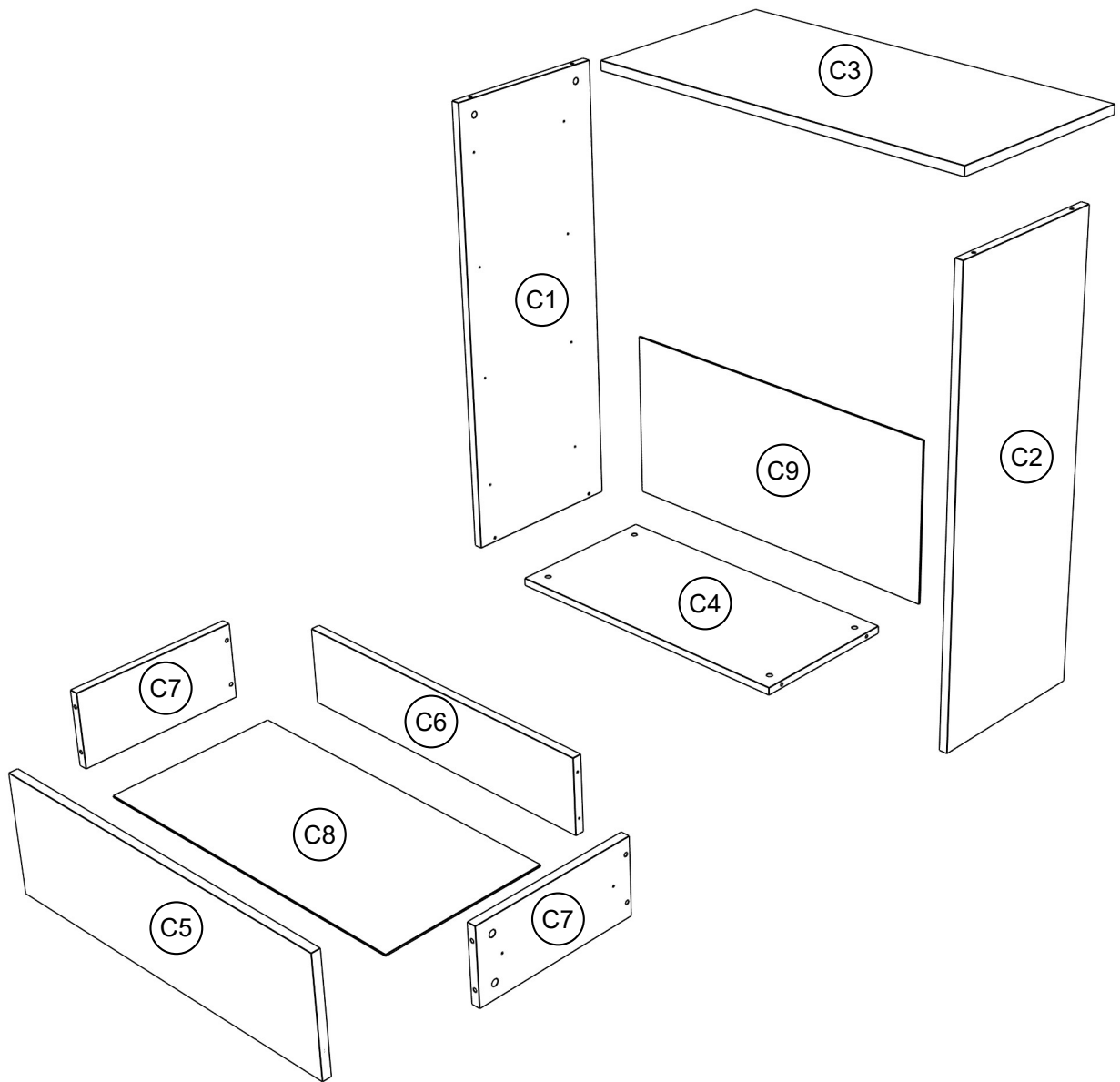


EMILY



S1		x24	S9		x4
S2		x24	S10		x8
S3	3,5x20	x62	S11		x2
S4	3,5x16	x40	S12		x1
S5	5x16	x4	S13		x4
S6		x16	S14		x16
S7		x12	S15		x24
S8		x2			





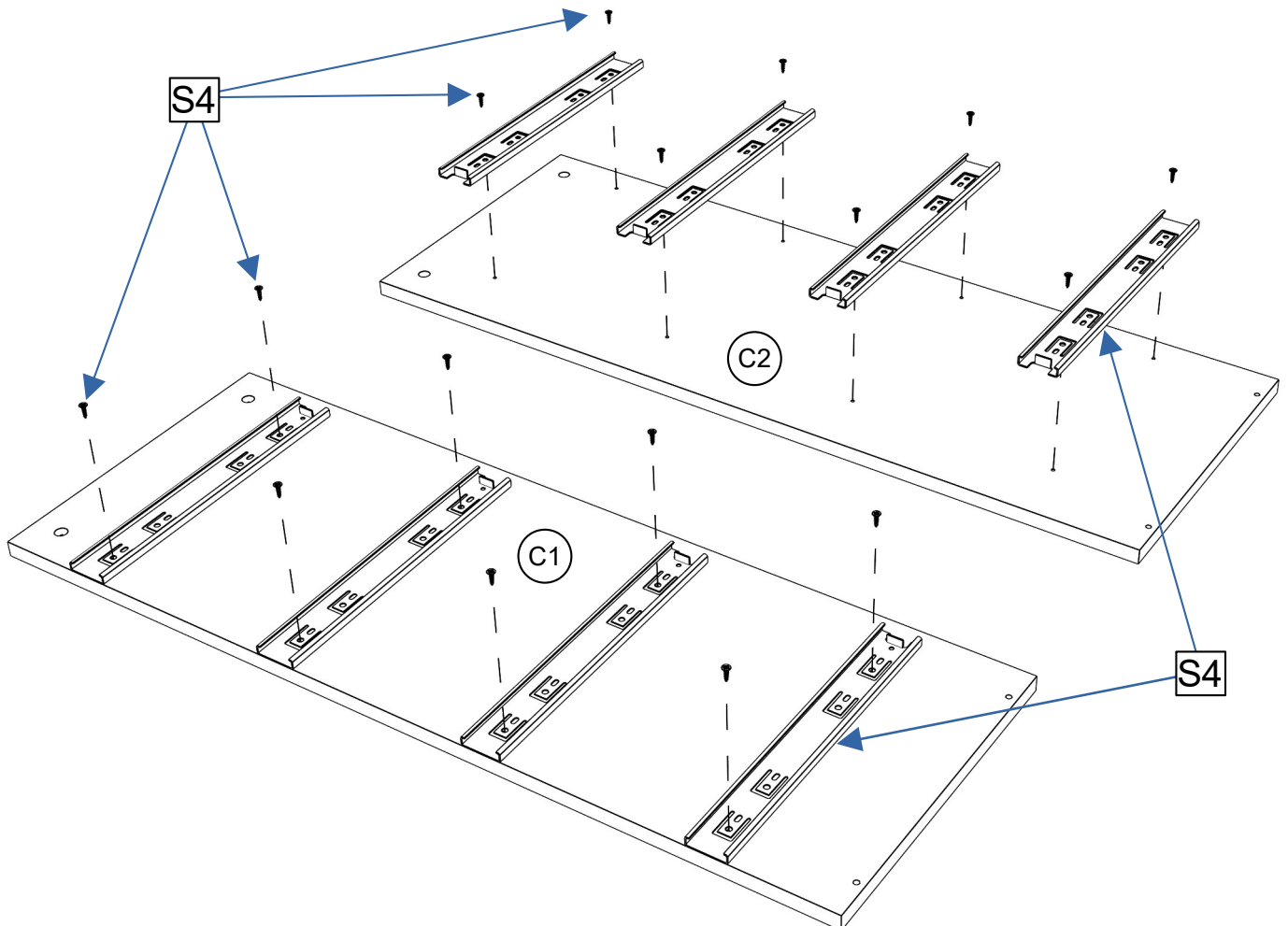
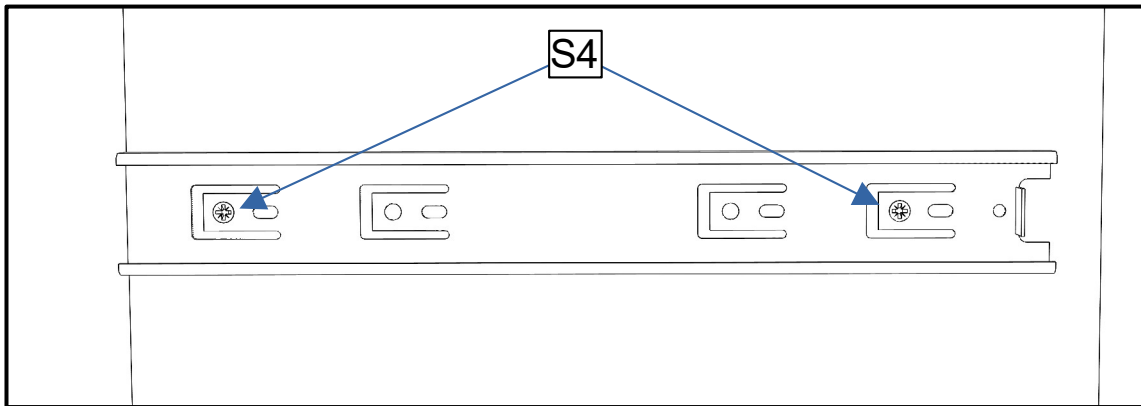
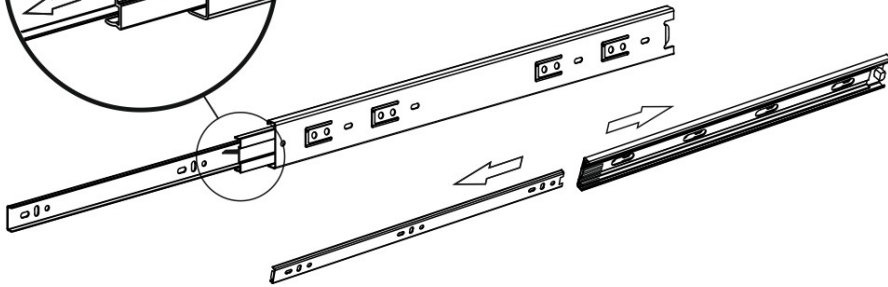
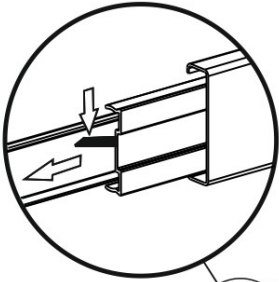
C1	1002x370	1x
C2	1002x370	1x
C3	800x400	1x
C4	760x370	1x
C5	792x247	4x
C6	698x160	4x
C7	350x160	8x
C8	734x356	4x
C9	796x320	3x

1

S4 x 16



S9 x 4

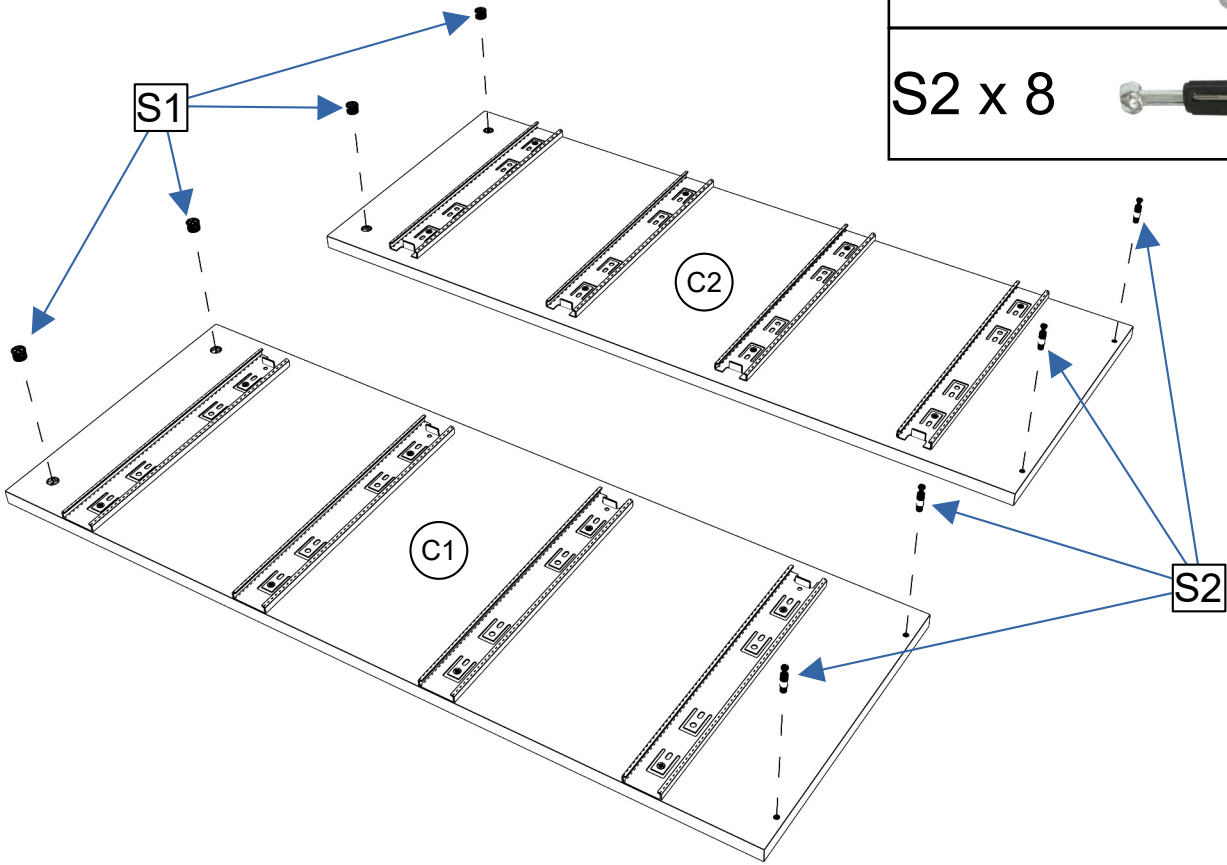


2

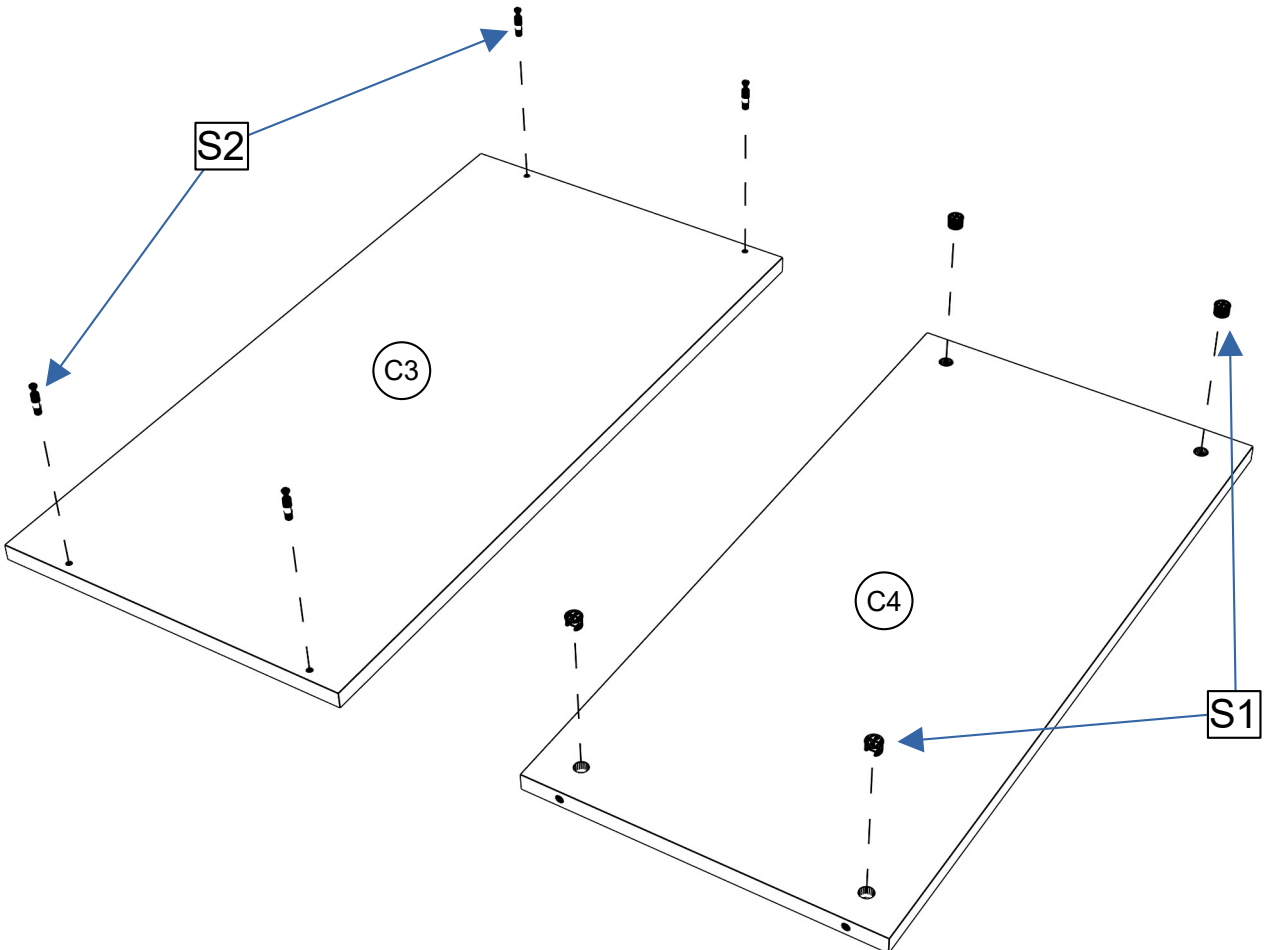
S1 x 8



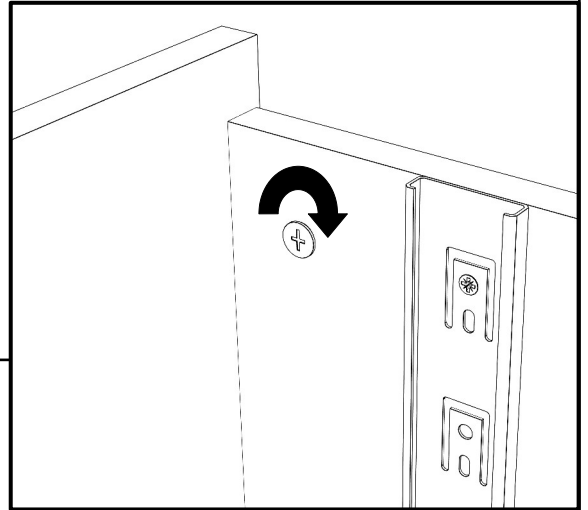
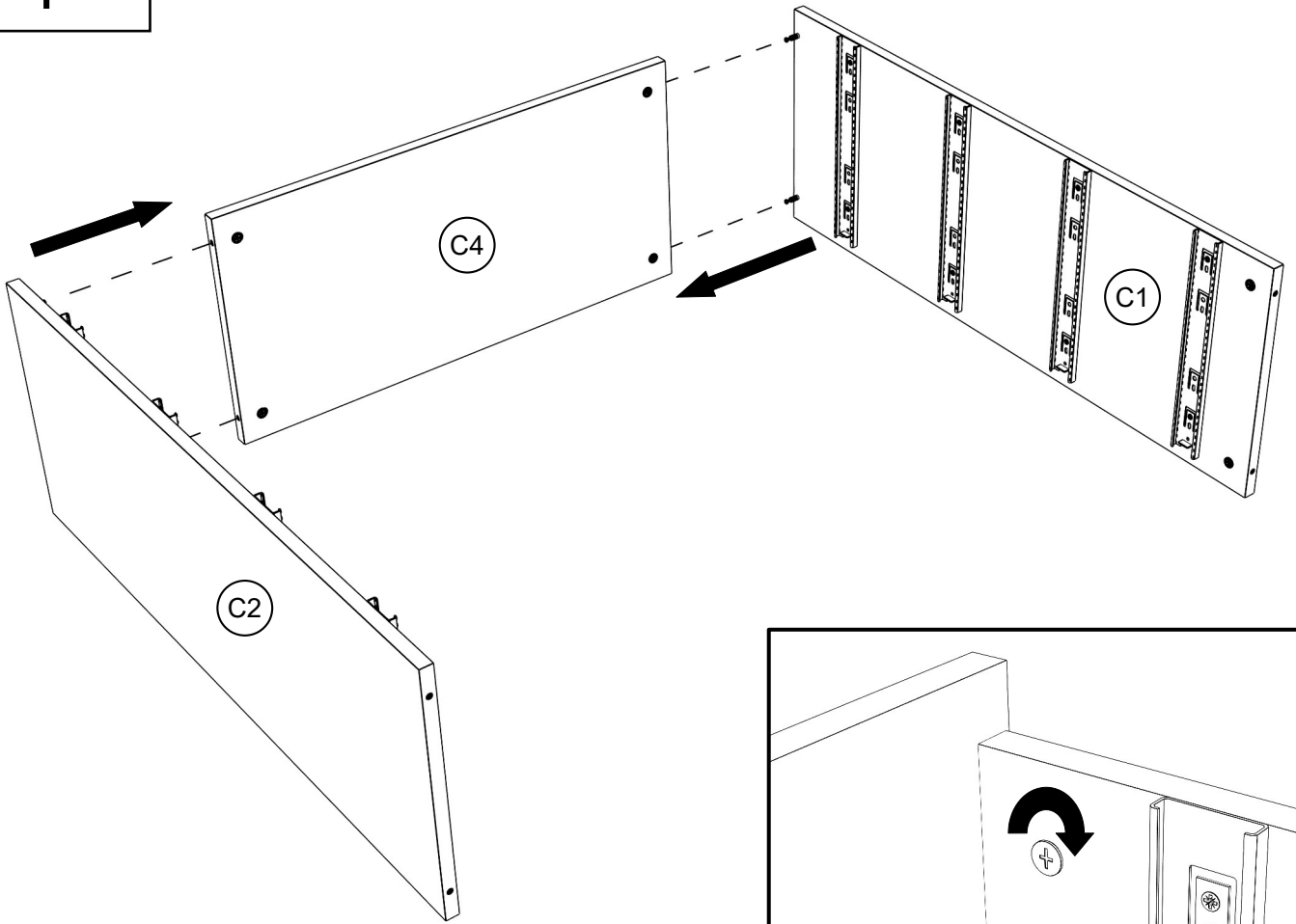
S2 x 8



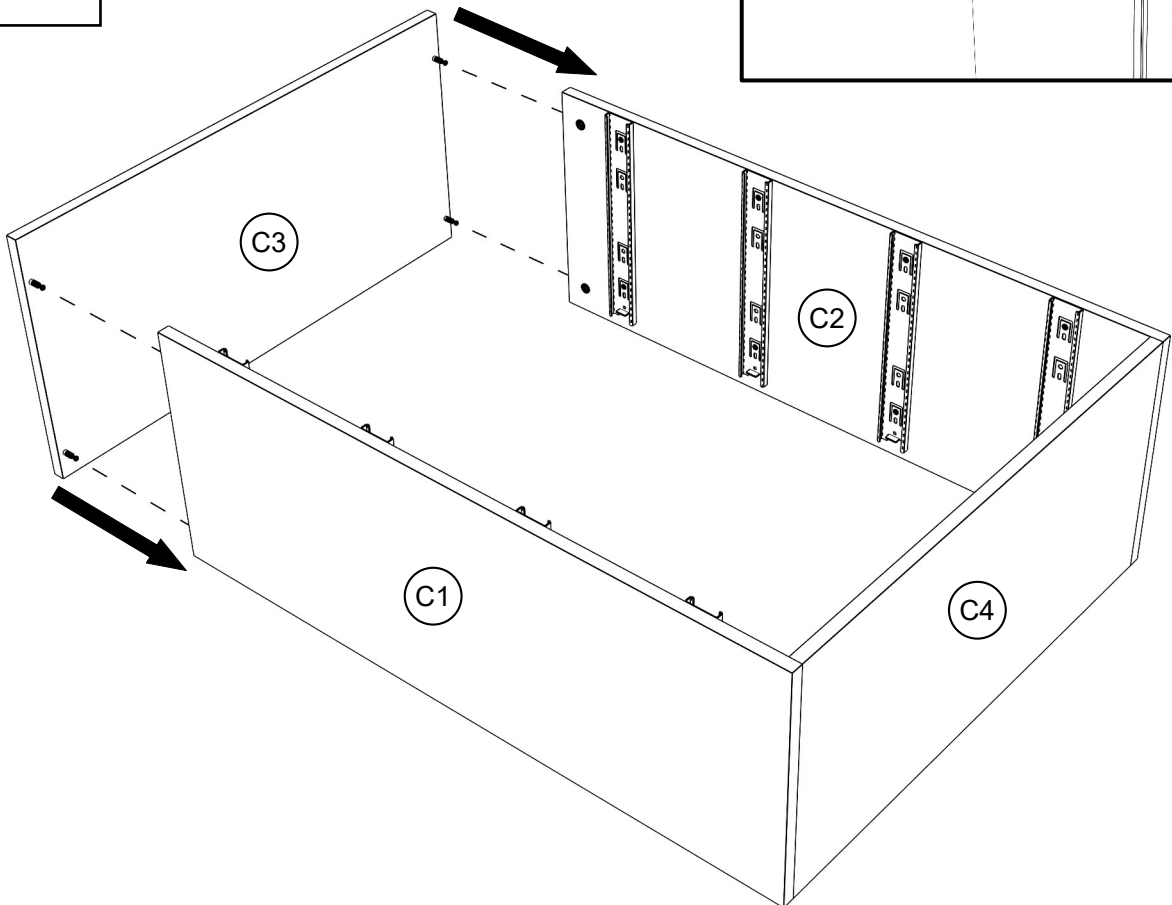
3



4



5

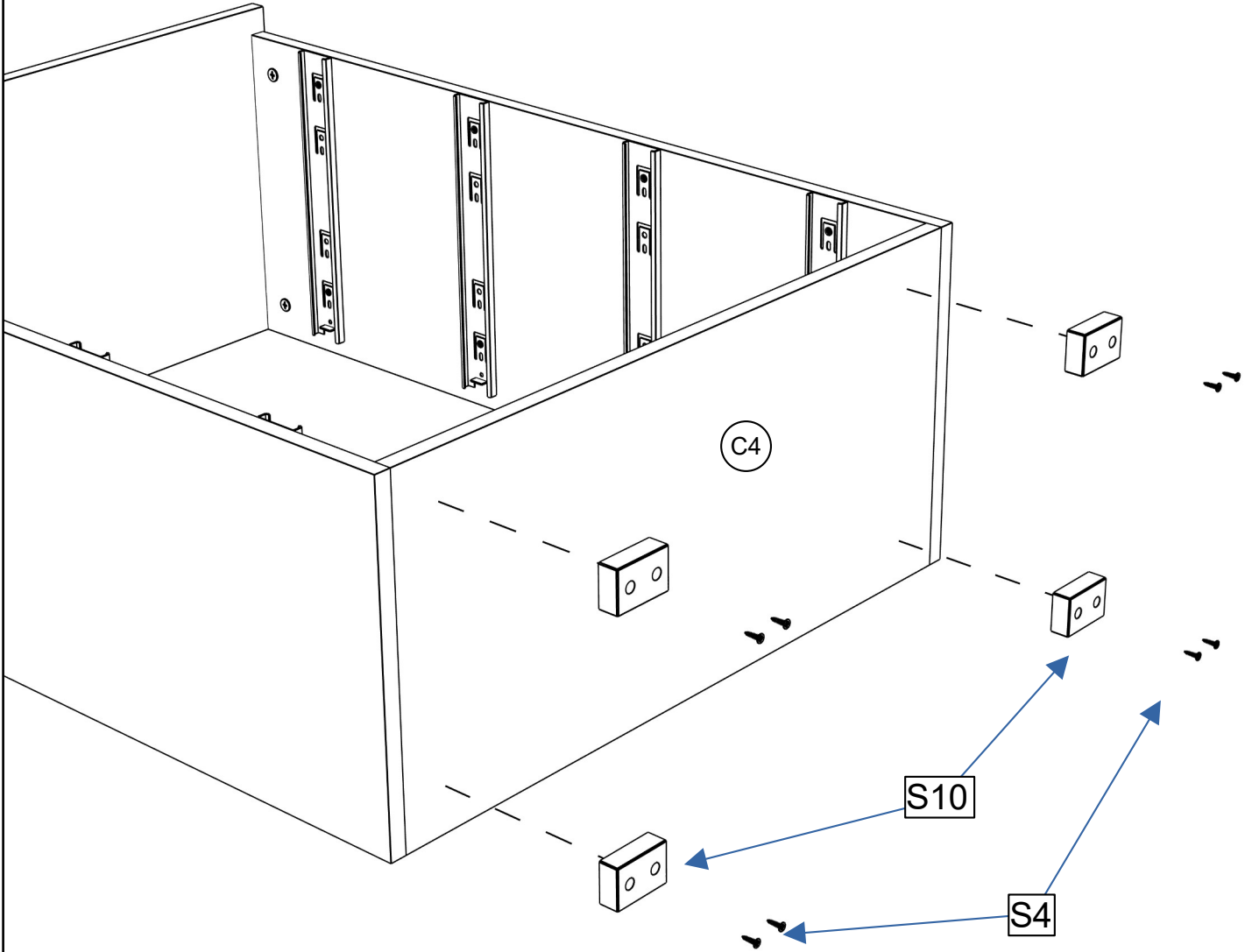


6

S4 x 8

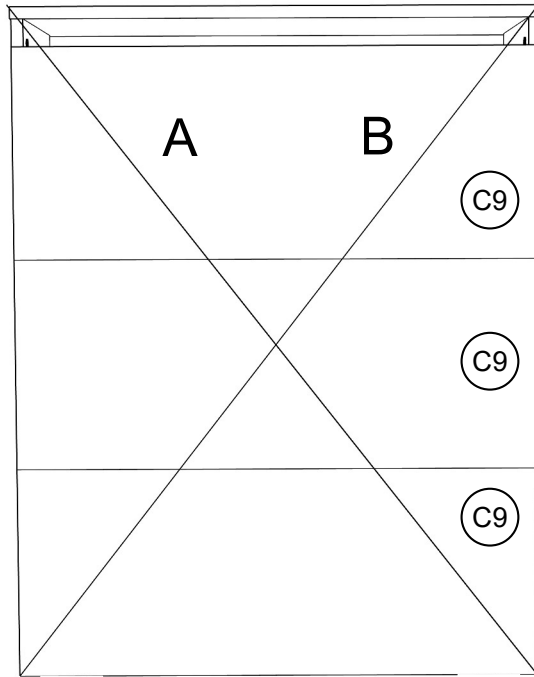
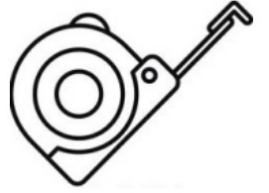


S10 x 4



7

A=B

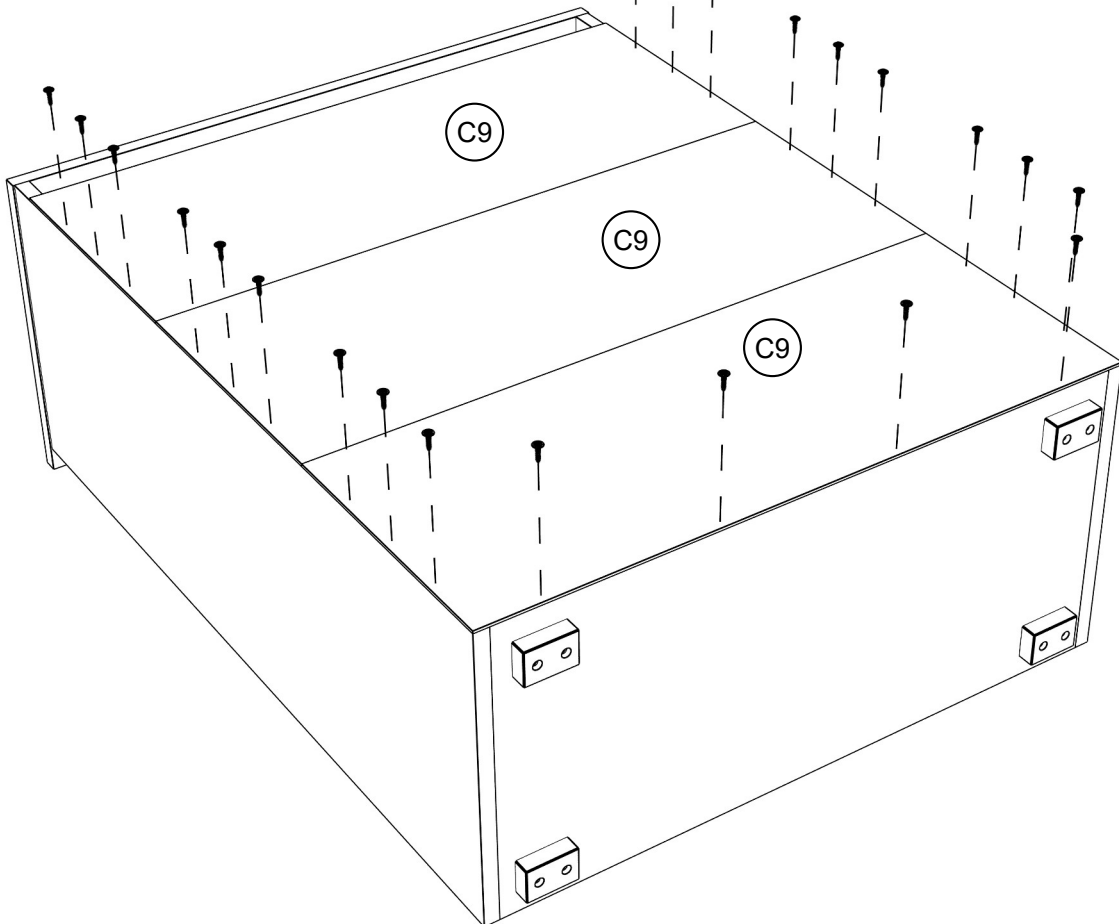


8

S3



S3 x 22



9



S5 x 4



S8 x 2



C3

C1

C2

S8

S5

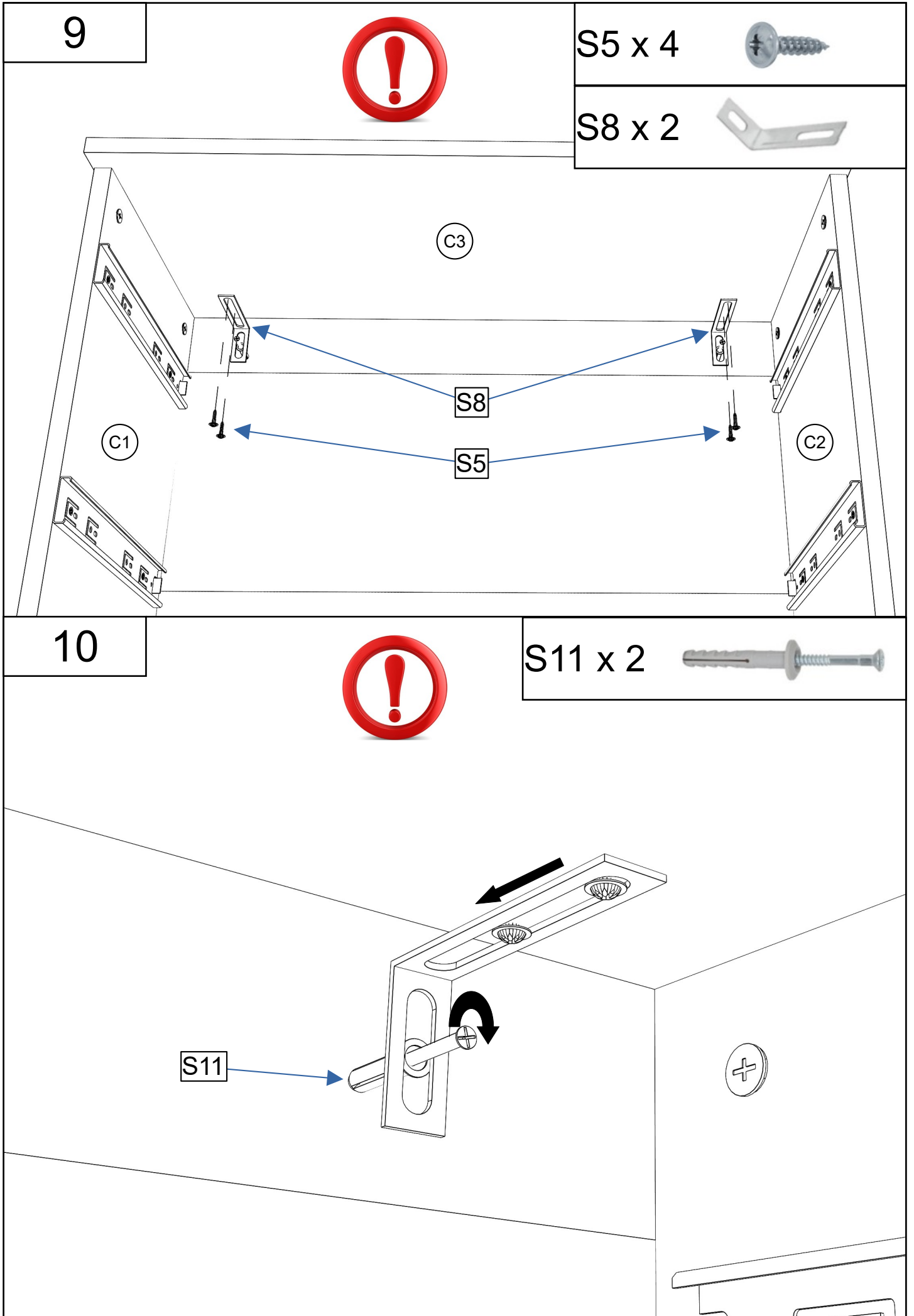
10



S11 x 2



S11



11

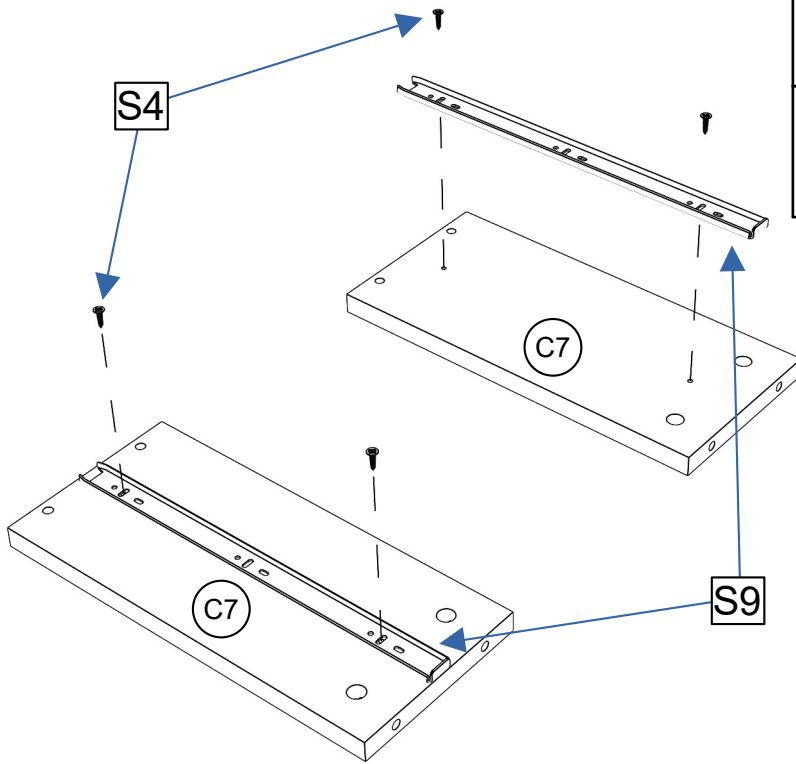
S4 x 16



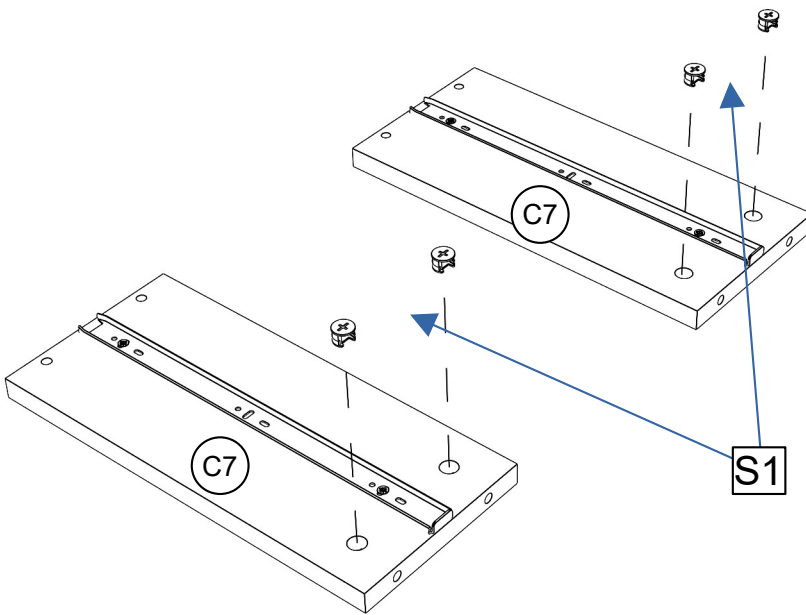
S9 x 4



S1 x 16



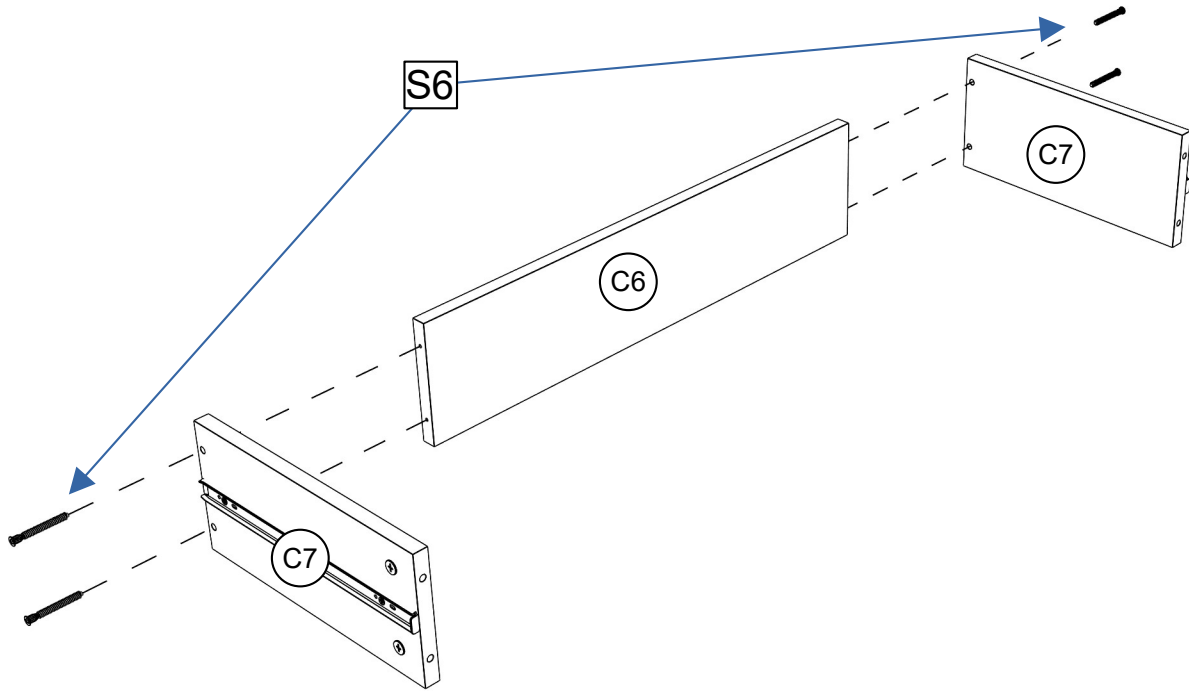
x4



12

x4

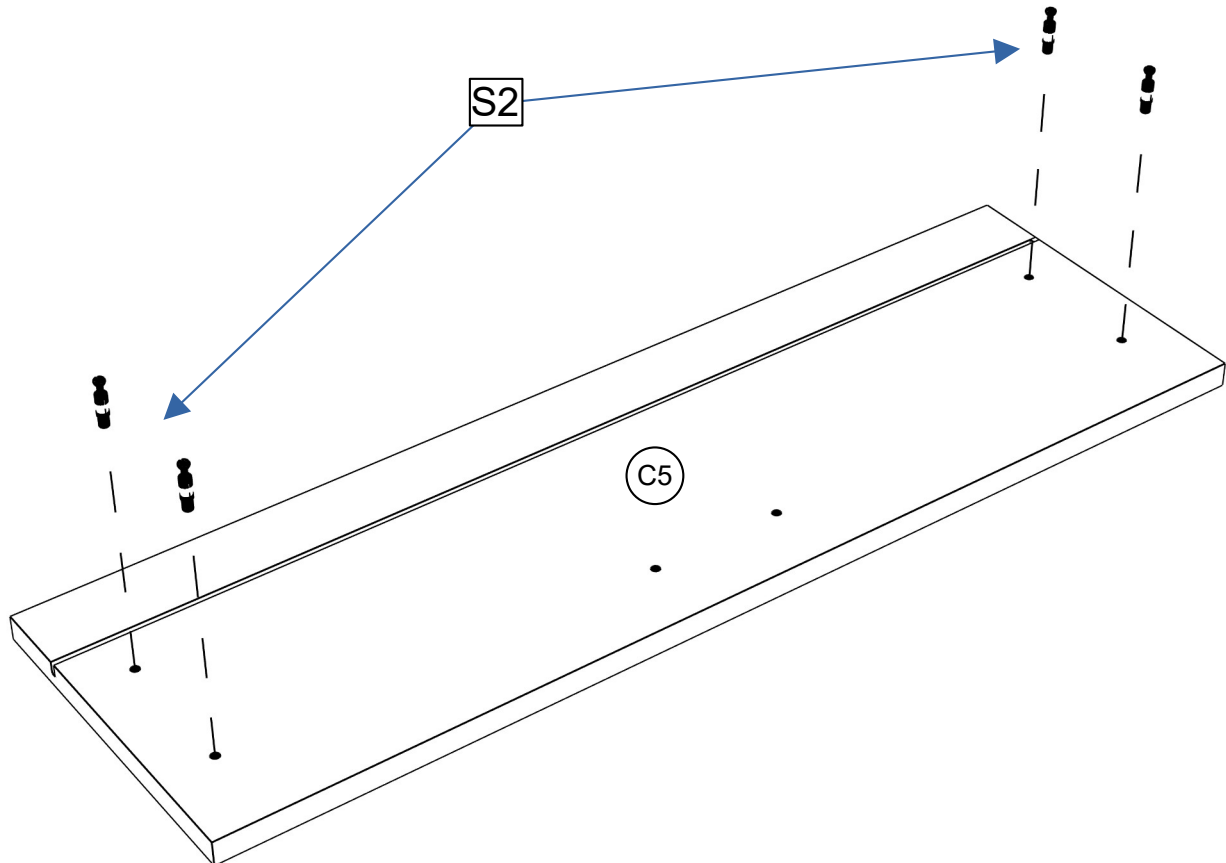
S6 x 16



13

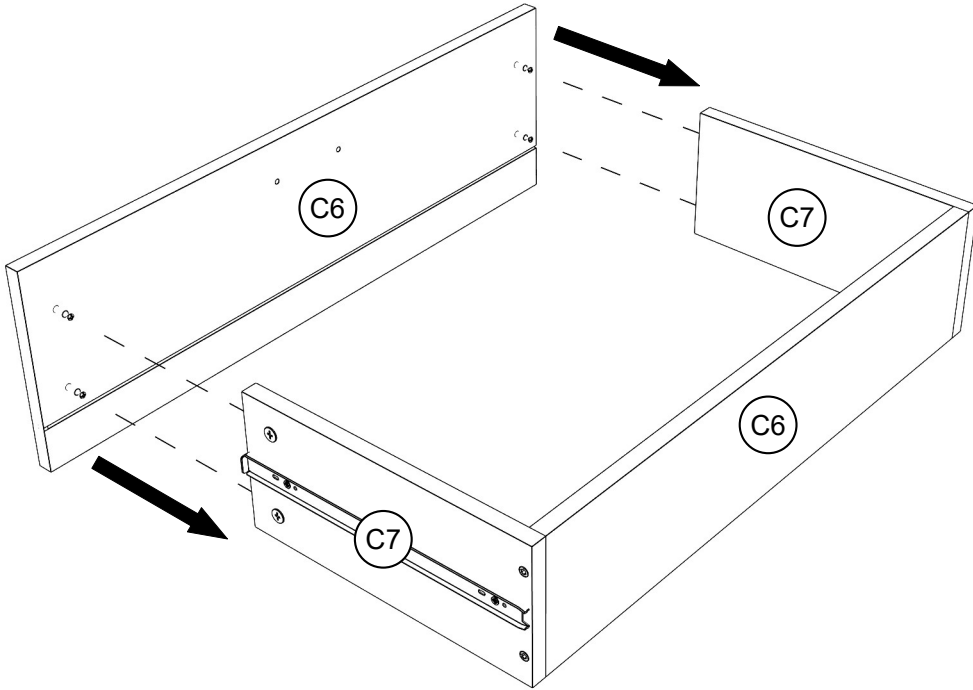
x4

S2 x 16

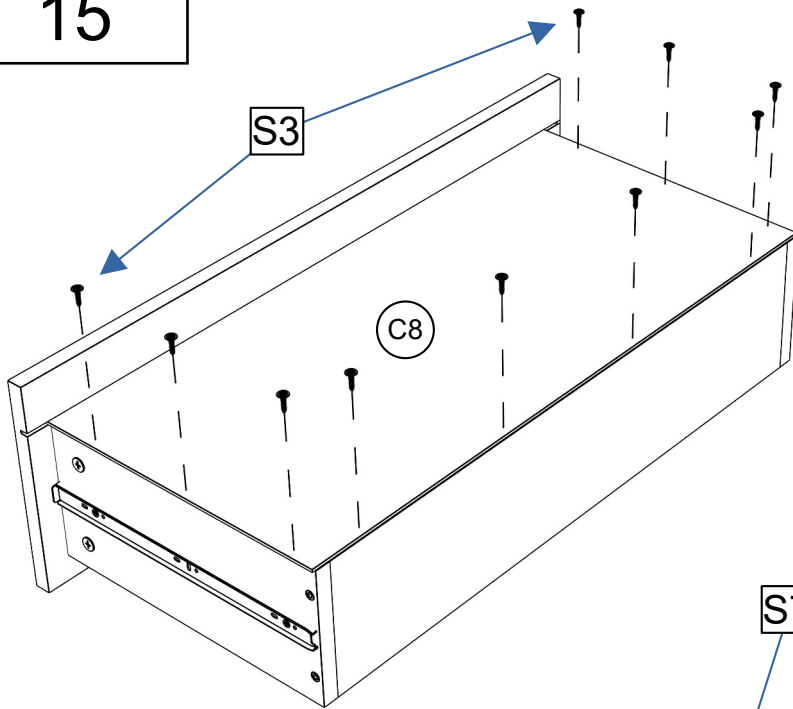


14

x4



15



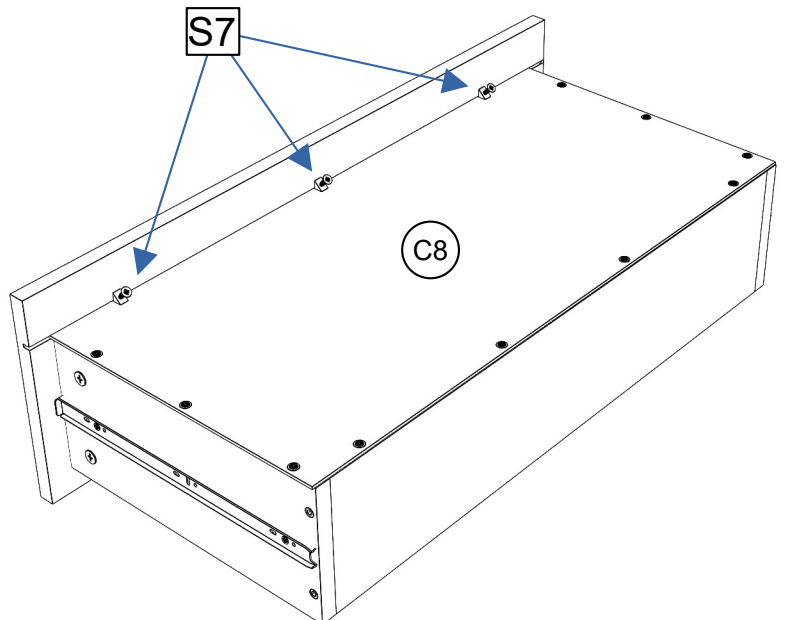
S3 x 40



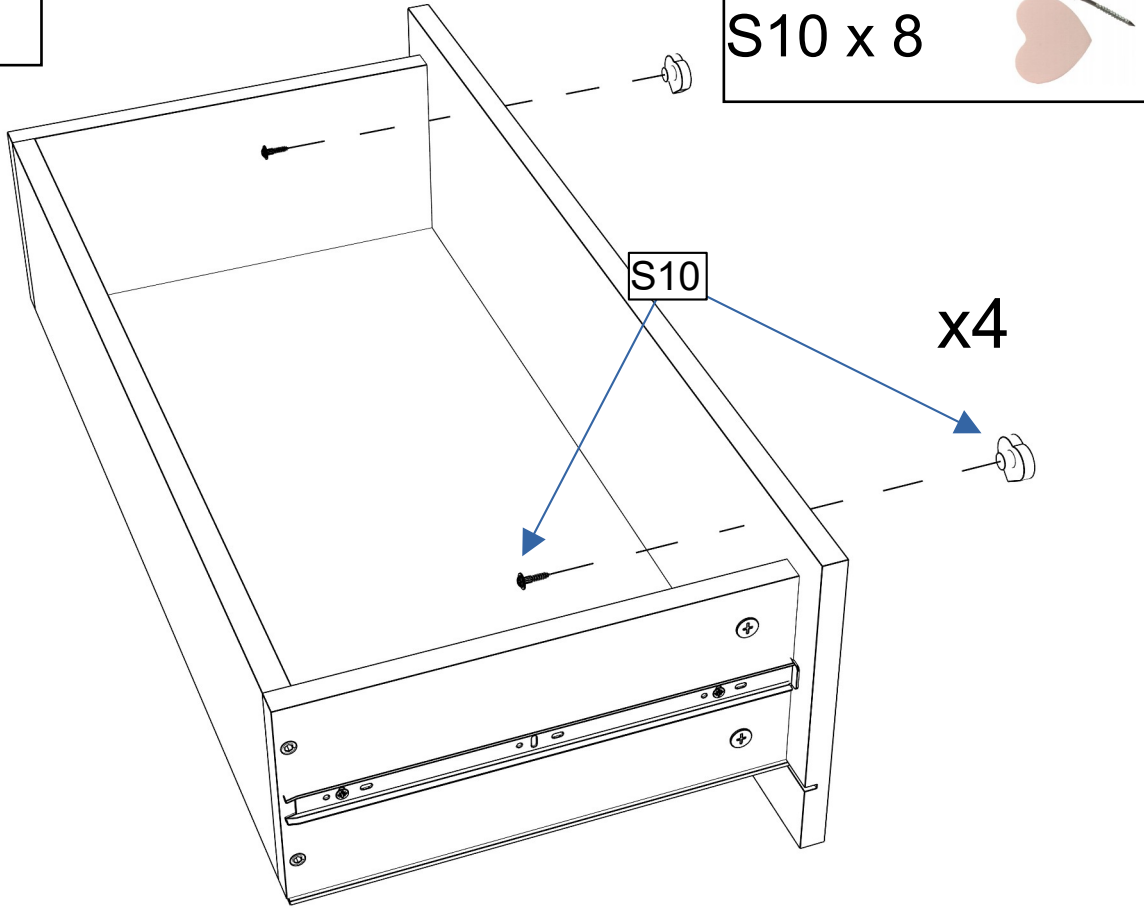
S7 x 12



x4



16



17

