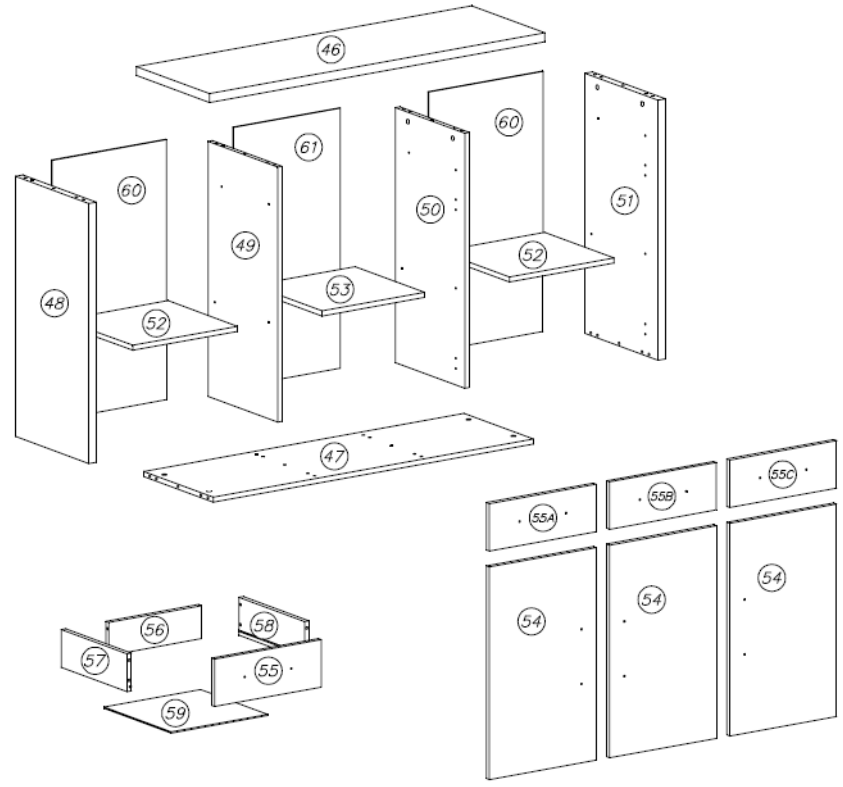
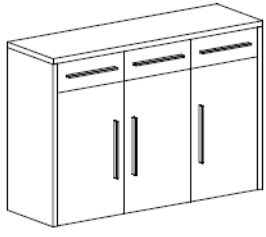


KOMODA	



D10 PZ35PL x2	A1 $\varnothing 7 \times 50$ x4	W2 4mm x1	K18 $\varnothing 15 \times 19$ x4	
C10 Z35PL x2	W1 GLUE, LEIM, LEPILO, LIM x1	W5 2x20 x12	F2 x12	H6 x3
K1 $\varnothing 15 \times 12$ x8	G8 4x30 x12	B1 $\varnothing 8 \times 35$ x48	G34 3,5x16 x24	
K5 x8	D4 PZ350D x4	C4 Z350D x4	W4 1,6x20 x90	E9 x6

