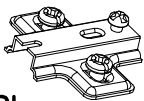

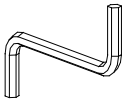
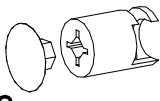
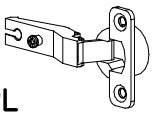


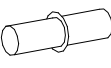
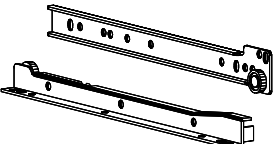
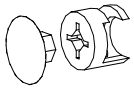
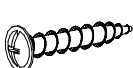


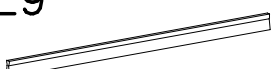
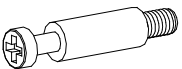
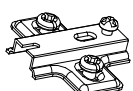
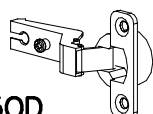



<b>D10</b>  PZ35PL x2	<b>A1</b>  ø7x50 x4	<b>W2</b>  4mm x1	<b>K18</b>  ø15x19 x4	
<b>C10</b>  Z35PL x2	<b>W1</b>  GLUE, LEIM, LEPIDLO, LIM x1	<b>W5</b>  2x20 x12	<b>F2</b>  x12	<b>H6</b>  x3
<b>K1</b>  ø15x12 x8	<b>G8</b>  4x30 x12	<b>B1</b>  ø8x35 x48	<b>G34</b>  3,5x16 x24	<b>E9</b>  x6
<b>K5</b>  x8	<b>D4</b>  PZ350D x4	<b>C4</b>  Z350D x4	<b>W4</b>  1,6x20 x90	

