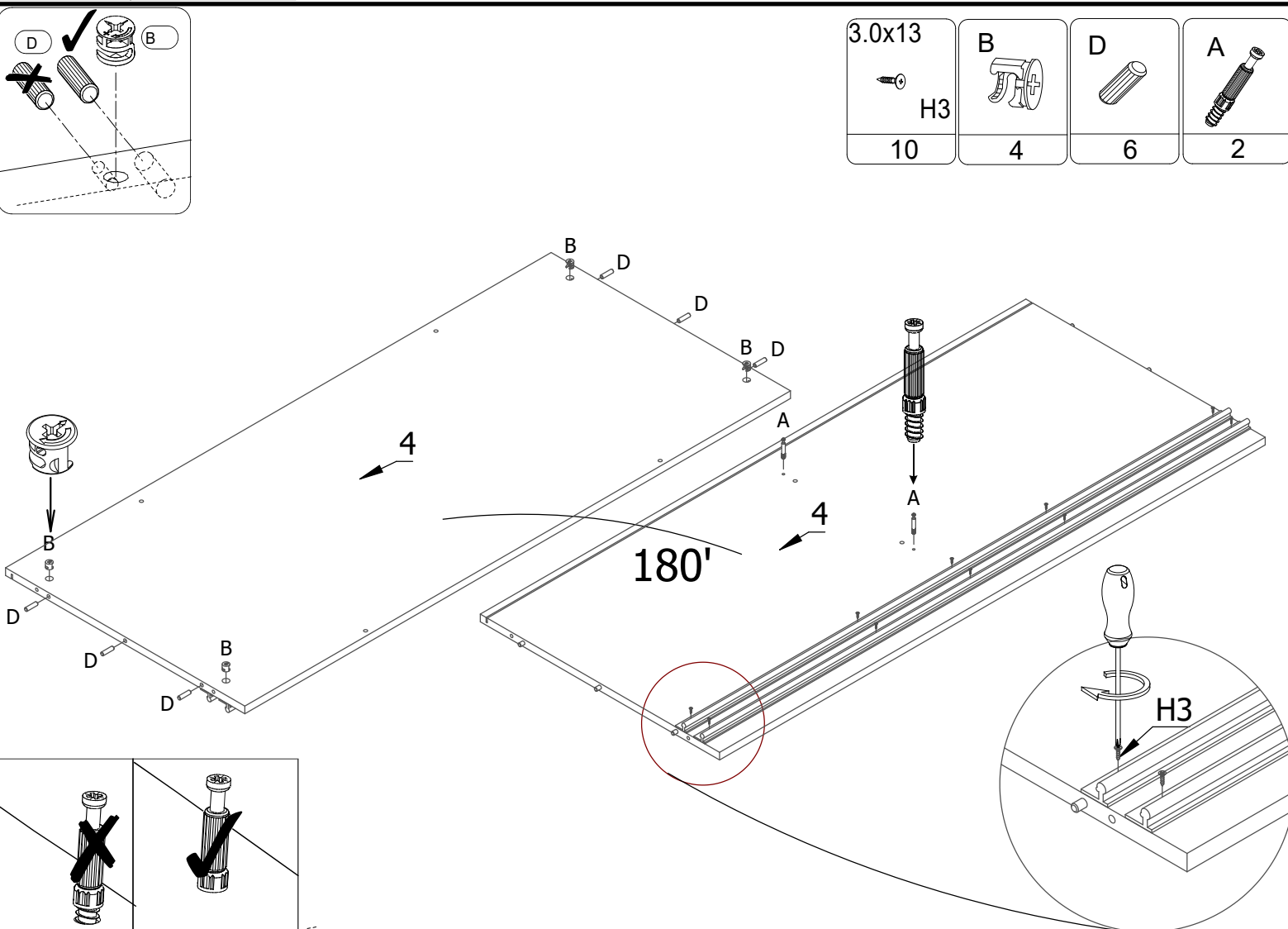
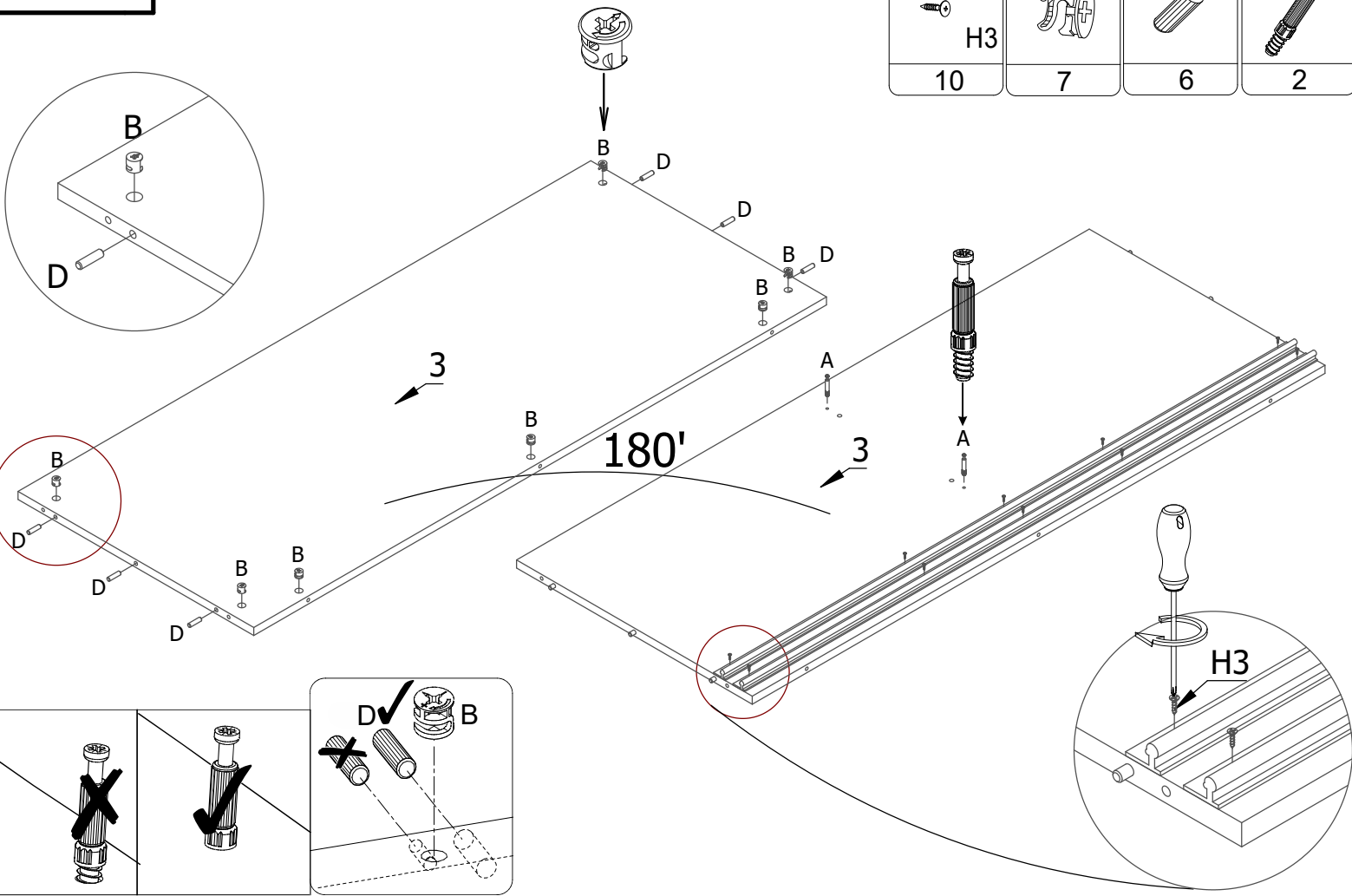




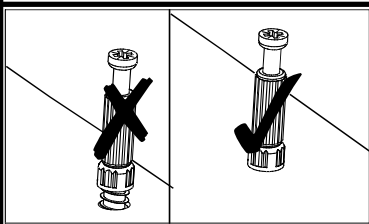
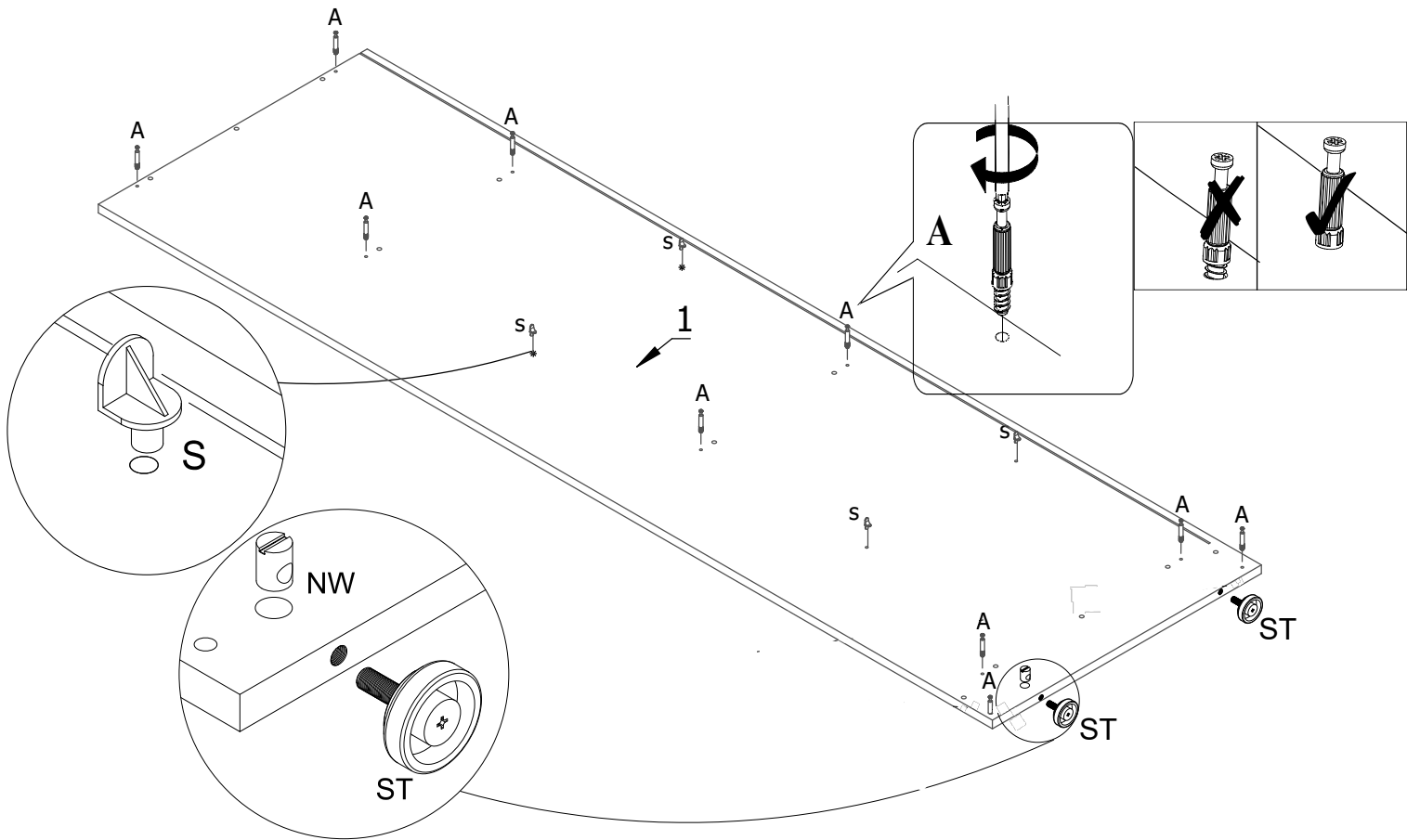







8x30 D A1 32	2 35 35	8X45 D1 2	UD 2
3.5x16 H1 8 12	S 6,3x13 8 8	NW 6 6	RG 4
4.0x16 H 12	3.0x13 H3 20	GW 12 16	A 31 RD 4

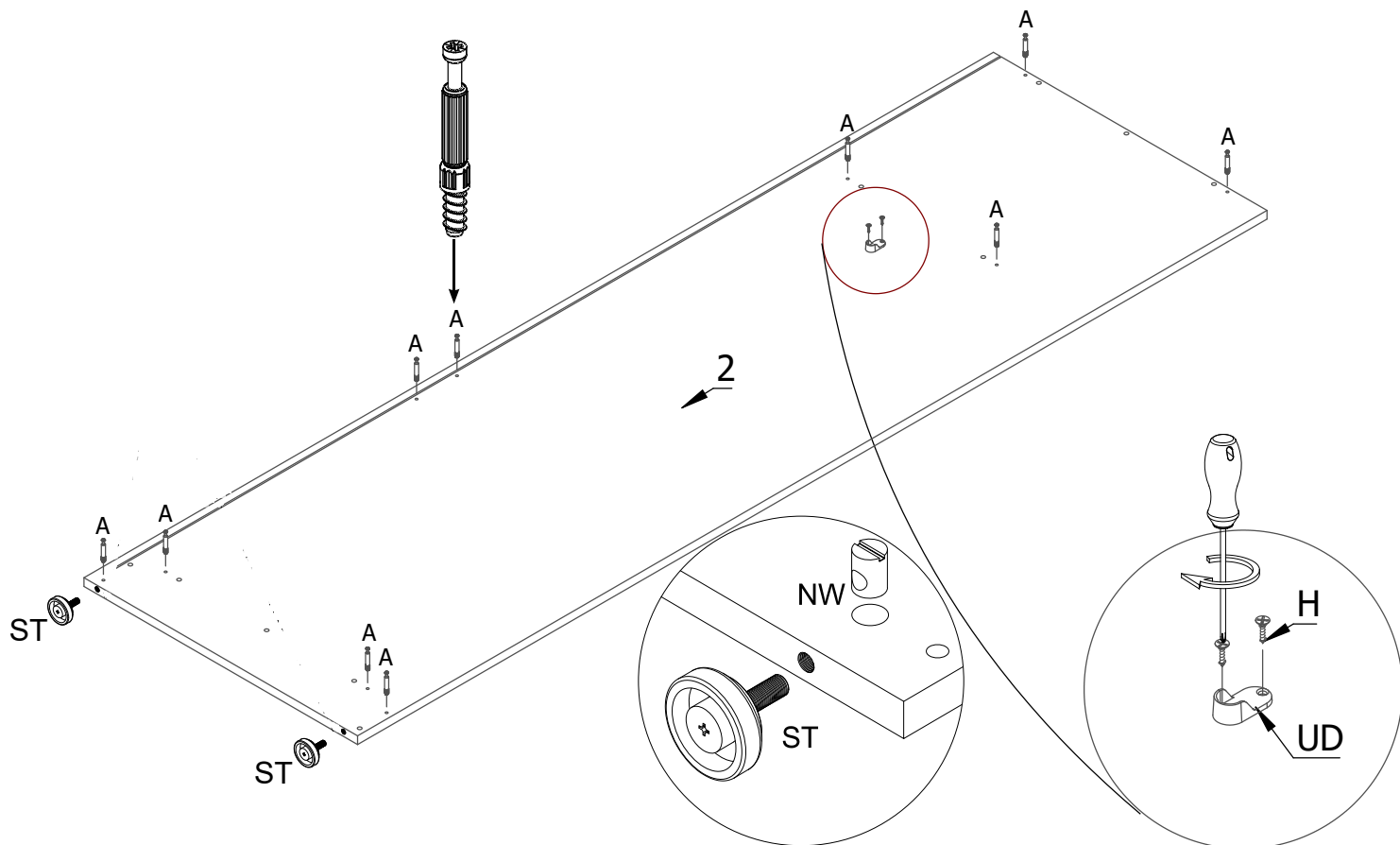
3.0x13 H3 10	B 7	D 6	A 2
--------------------	--------	--------	--------



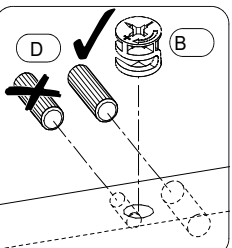
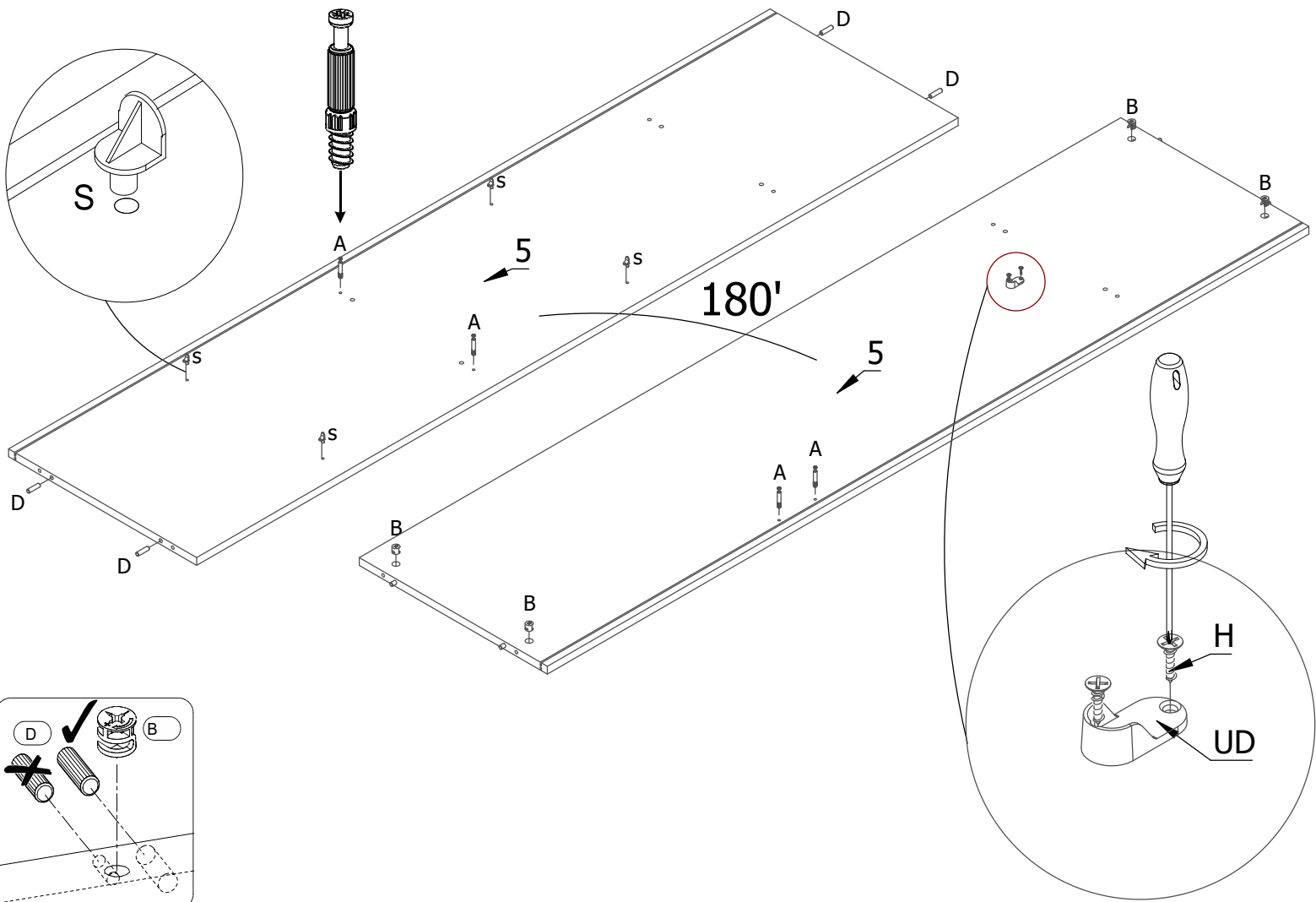
			
ST	S	NW	A
2	4	2	10



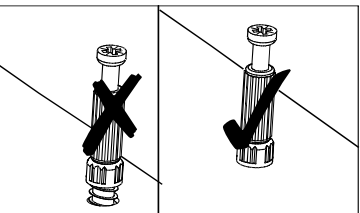
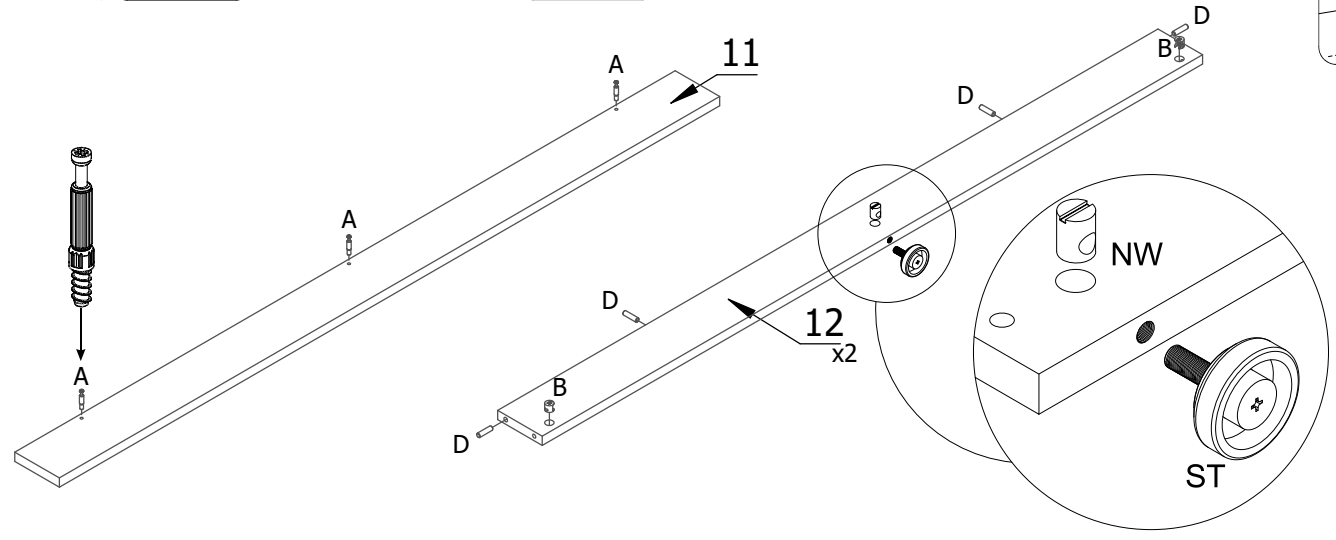
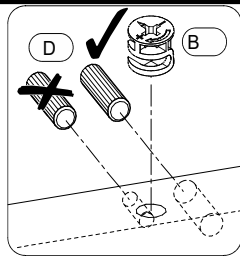
				
ST	NW	4x16 H	UD	A
2	2	2	1	10

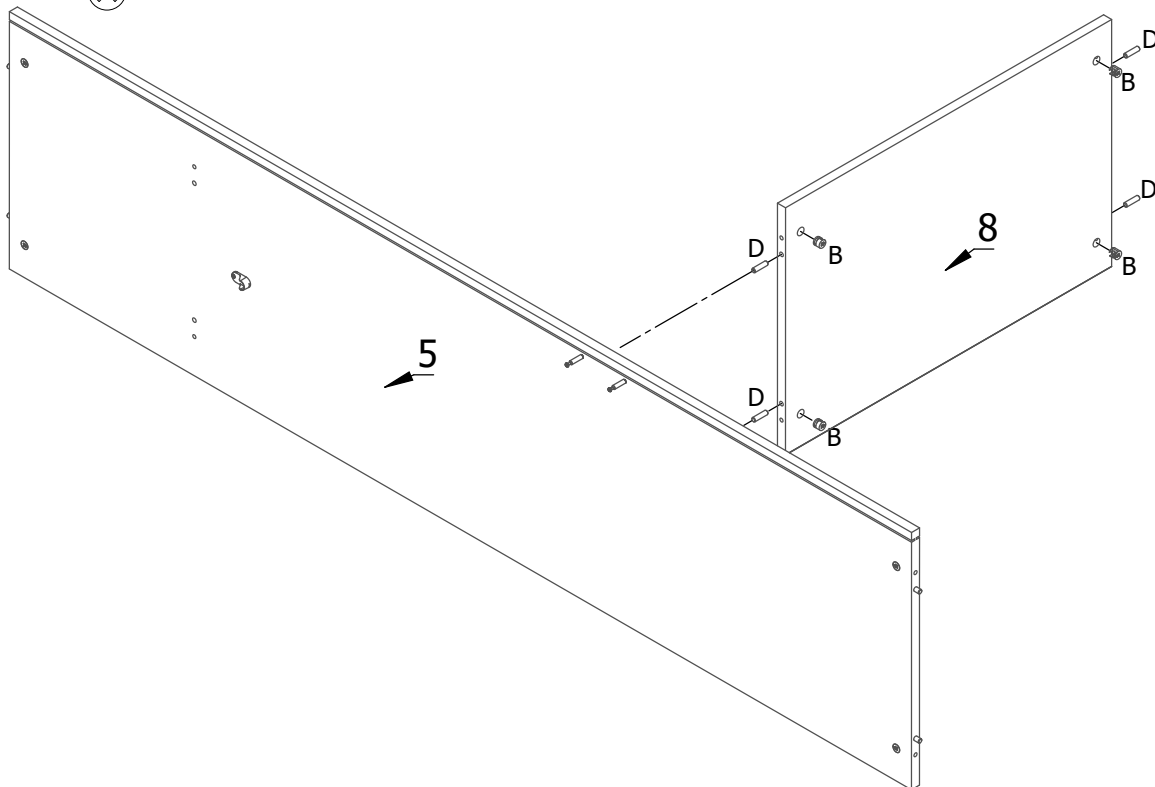
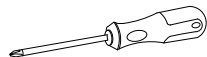


S	D	B	4x16	UD	A
4	4	4	2	1	4

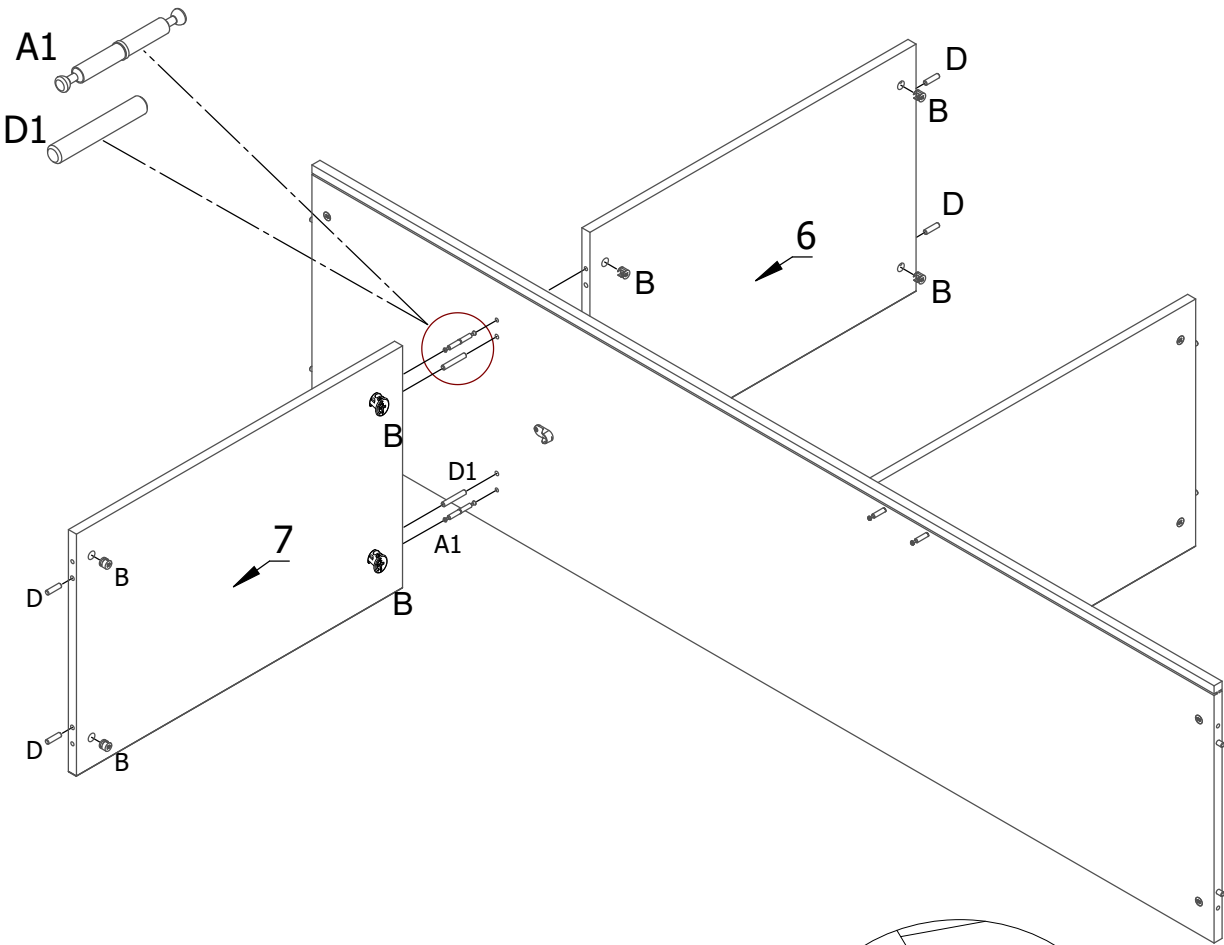
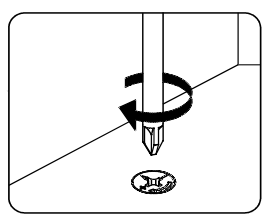


ST	B	D	A	NW
2	4	8	3	2

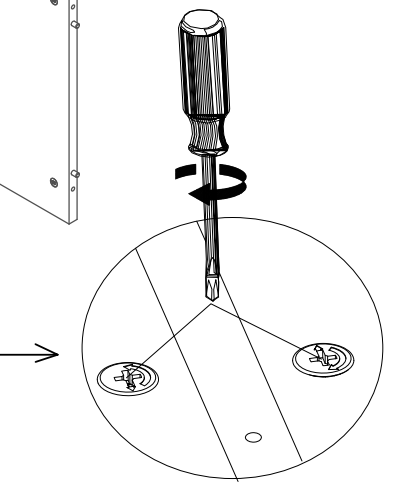
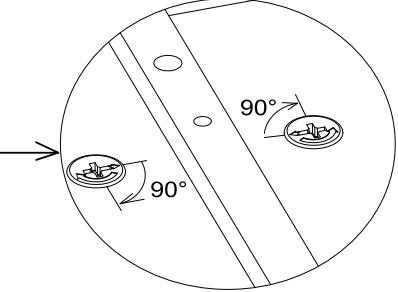
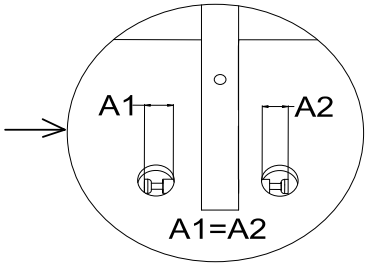
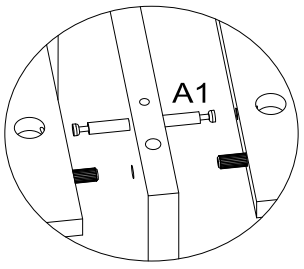


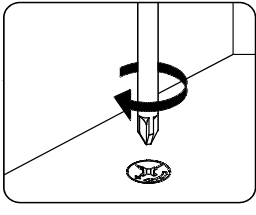
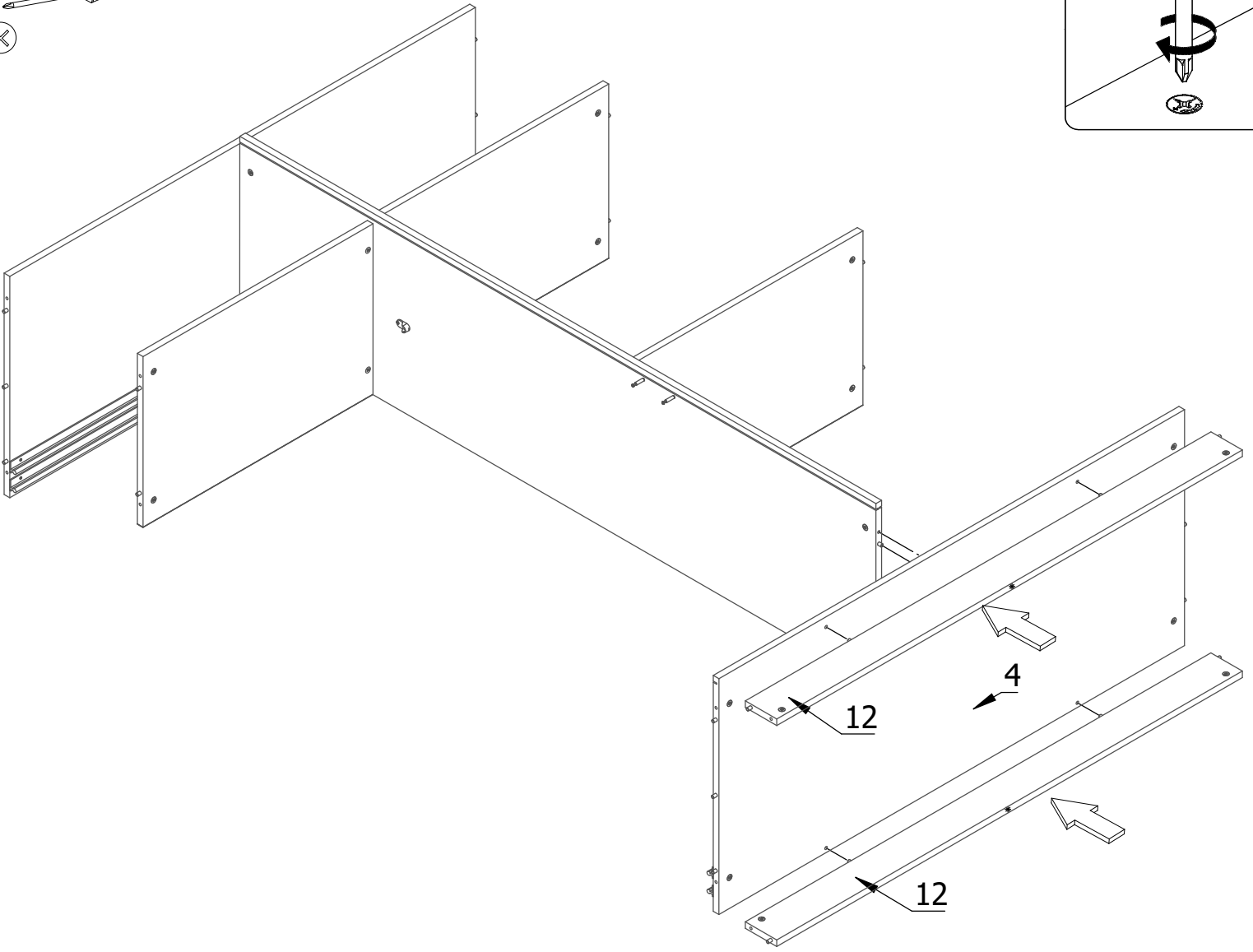
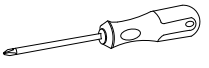
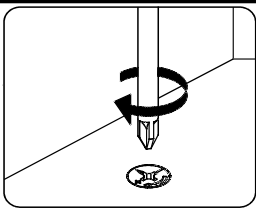
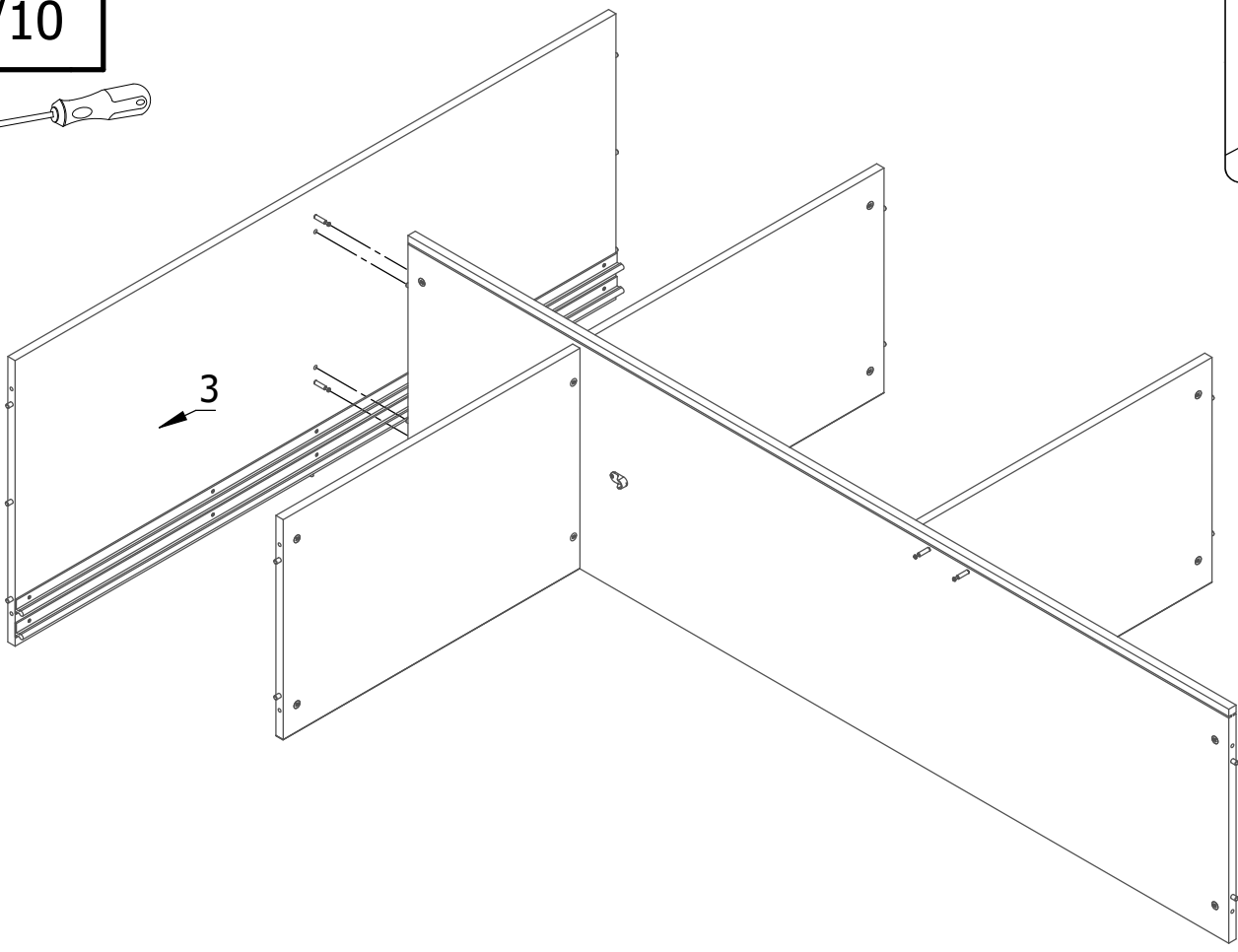
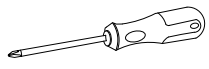


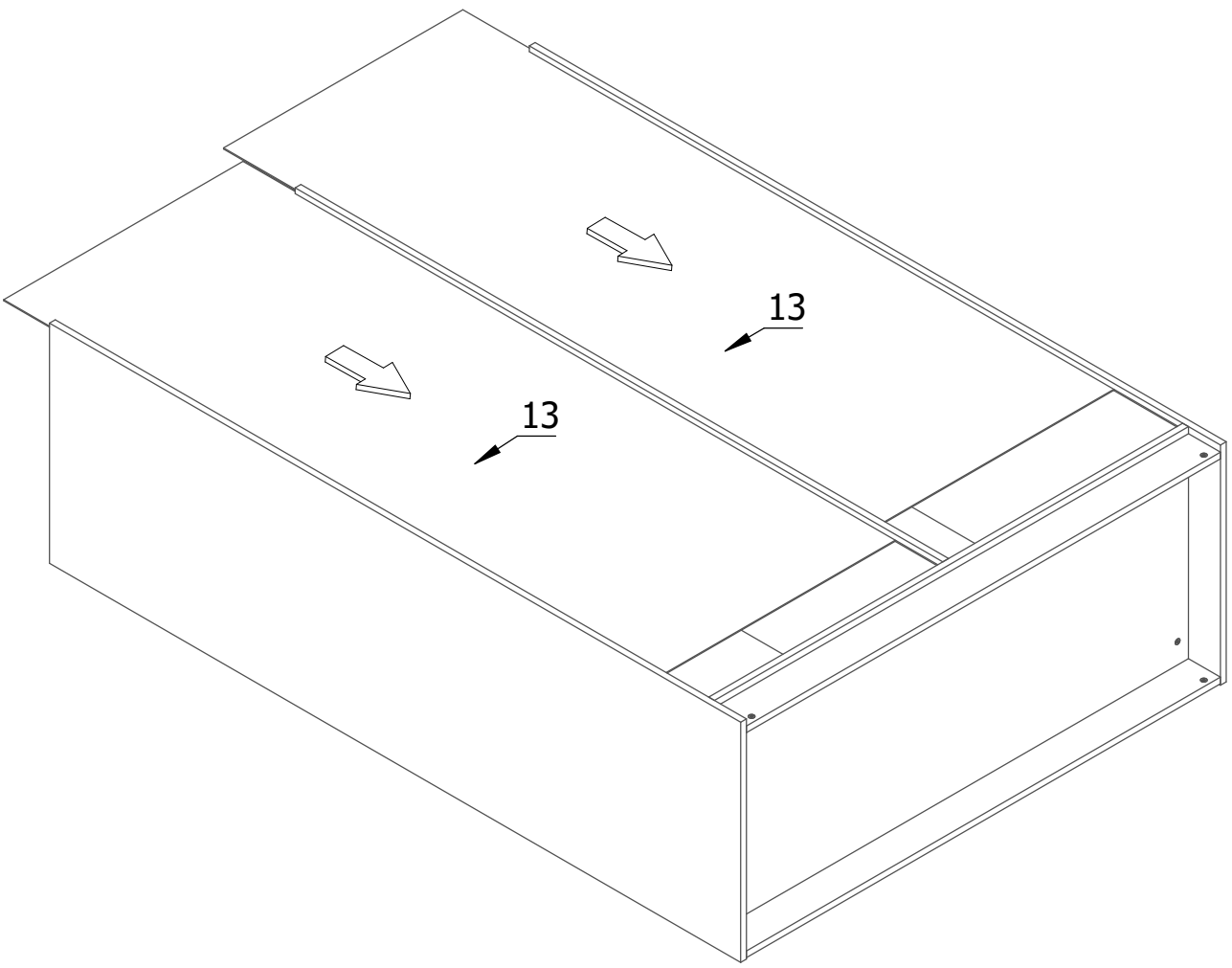
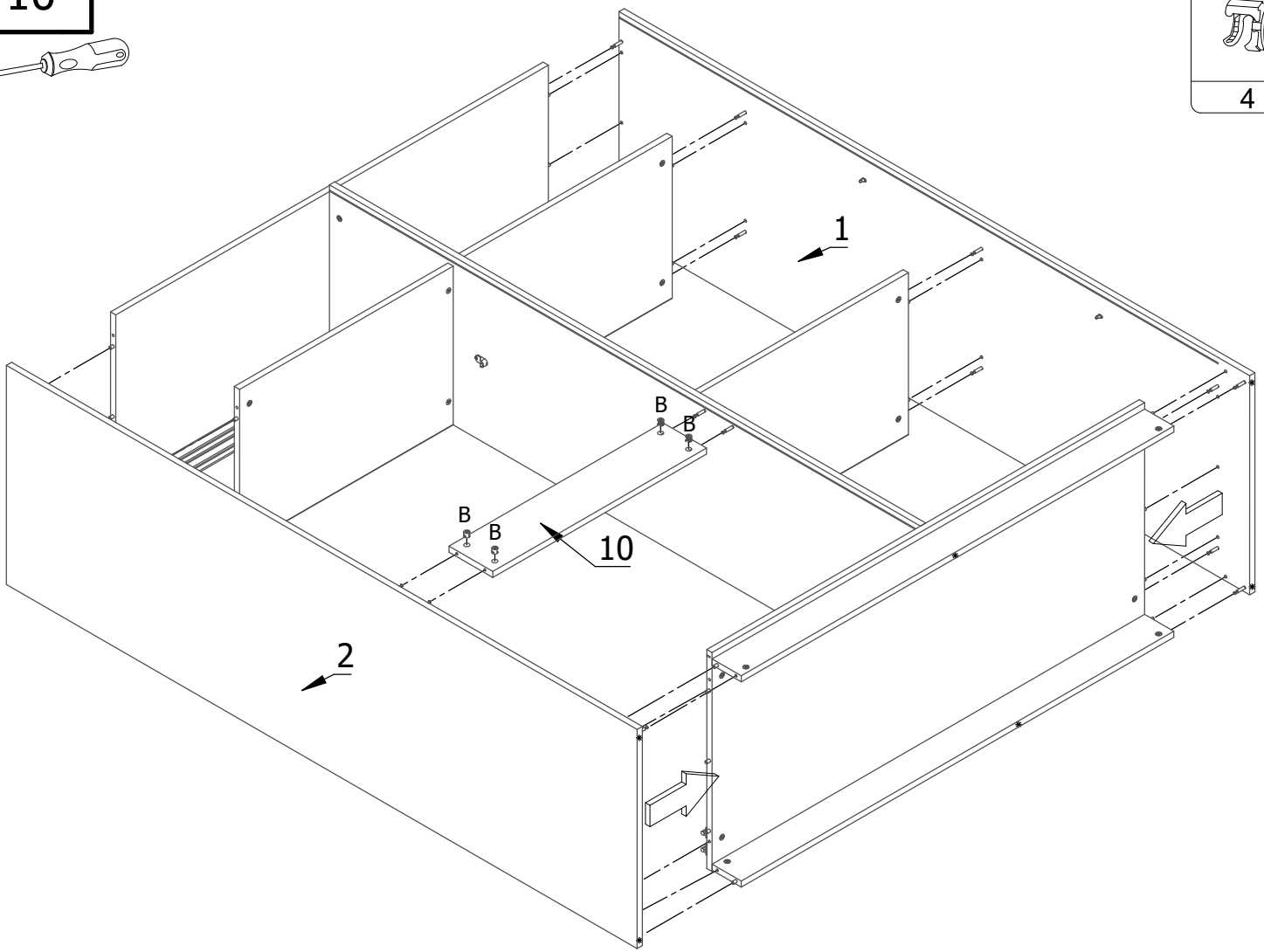
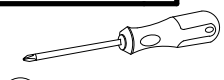
B	D
4	4

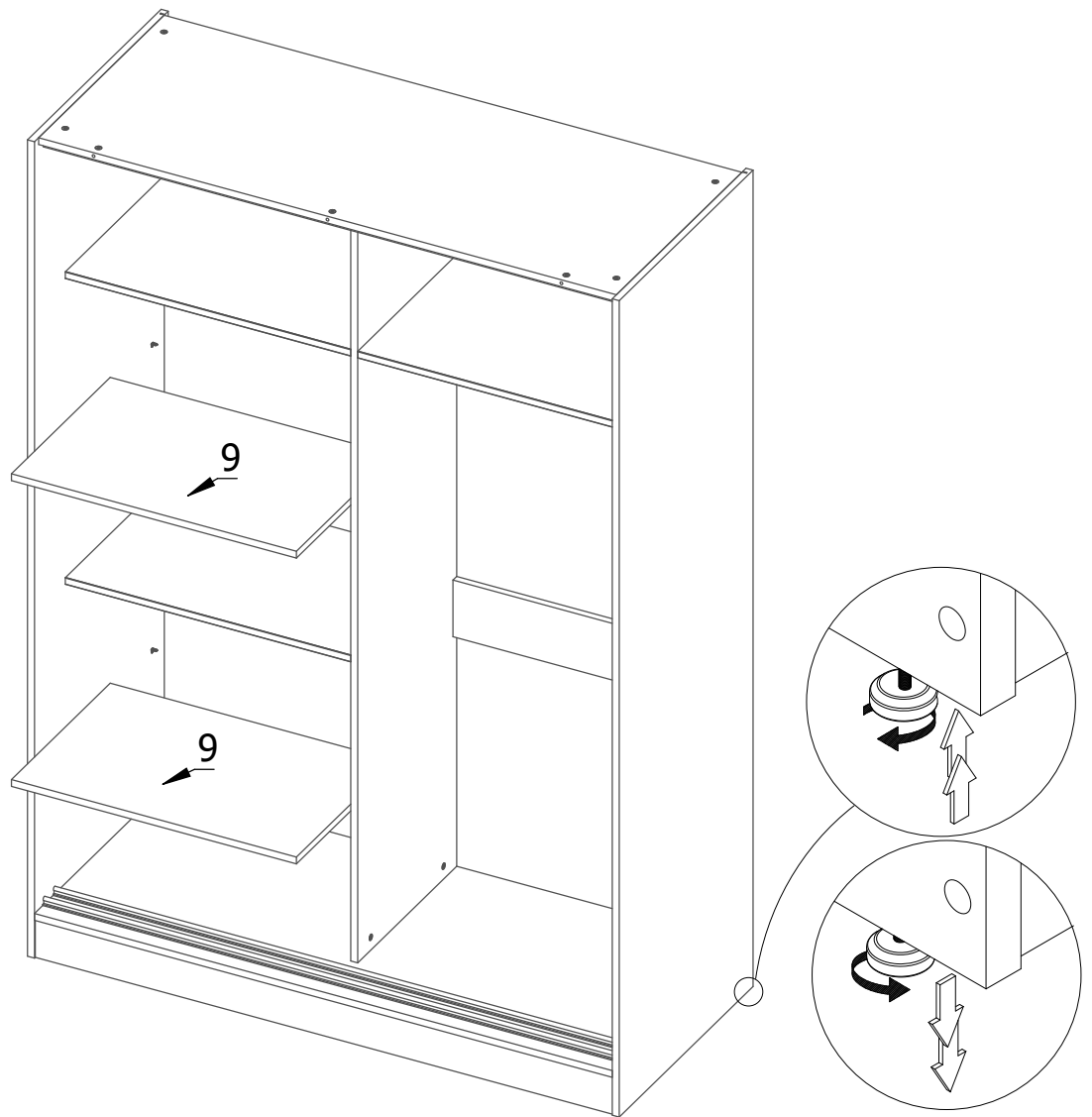
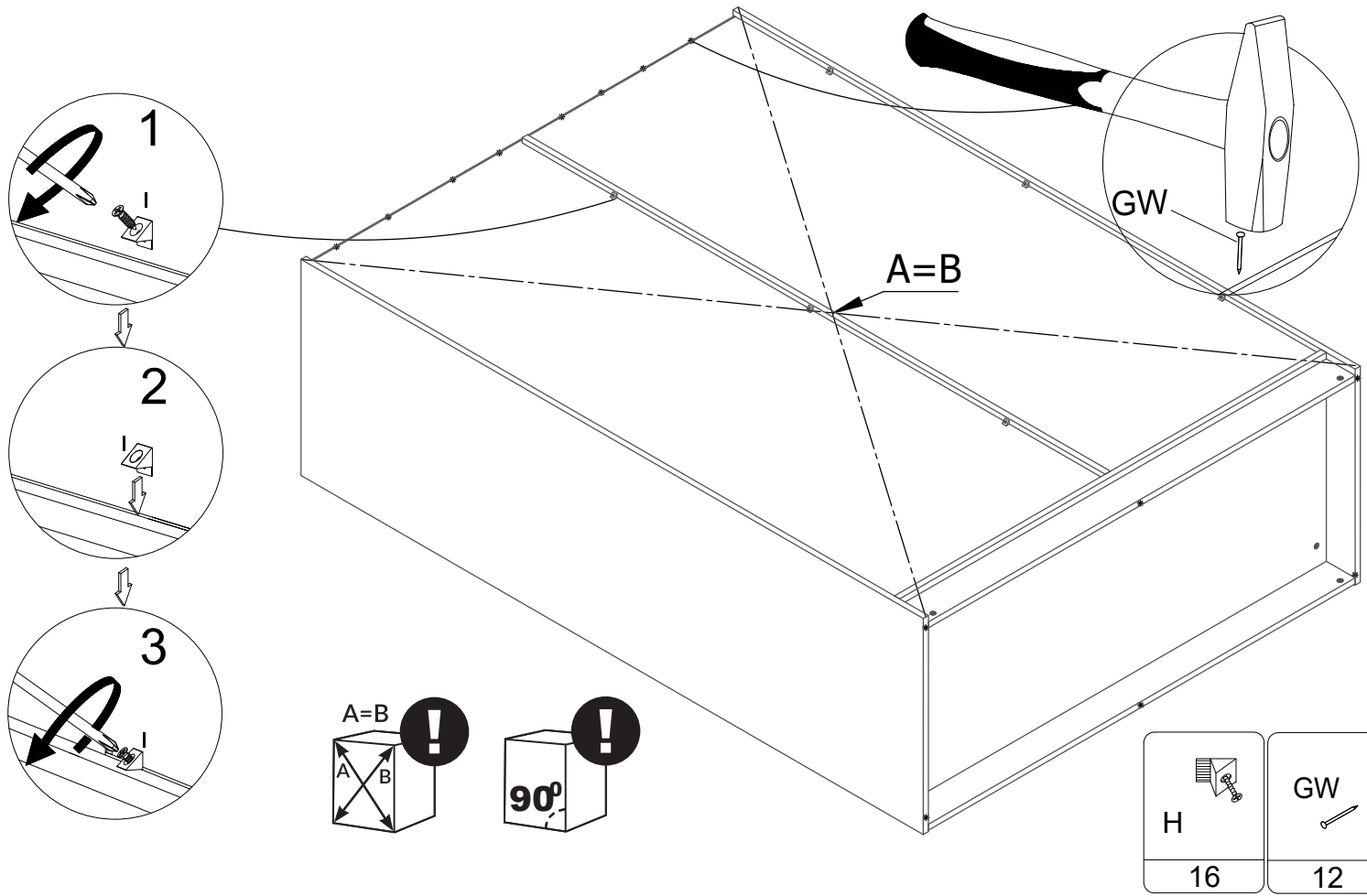


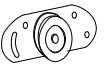
B	D
8	4
8X45	A1
2	2











4



4



12



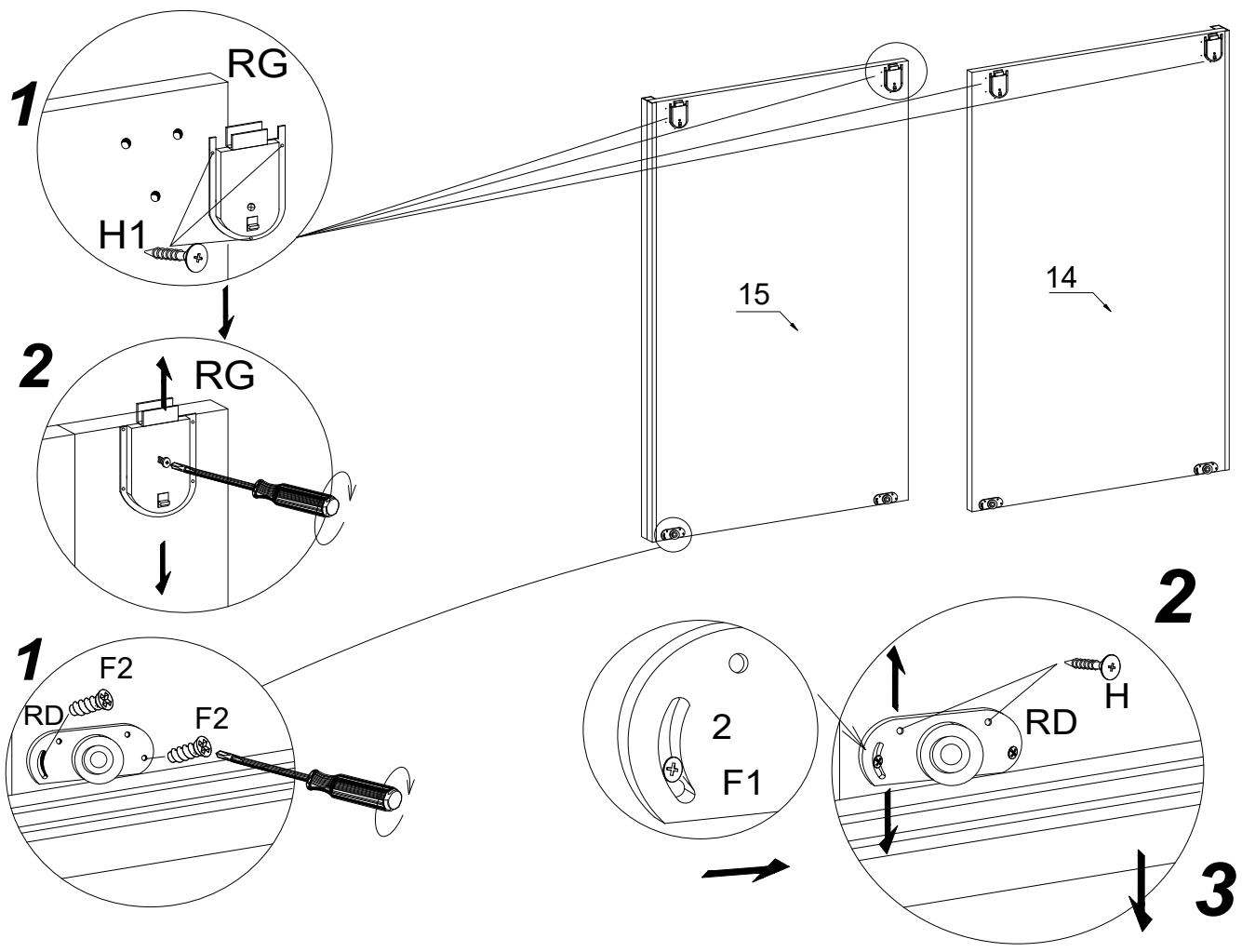
F2

8



H

8



1. ADJUST THE DOOR
2. SCREW IN THE „H” ELEMENTS

