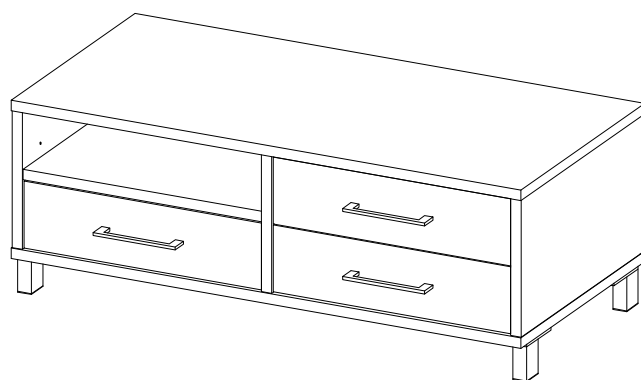
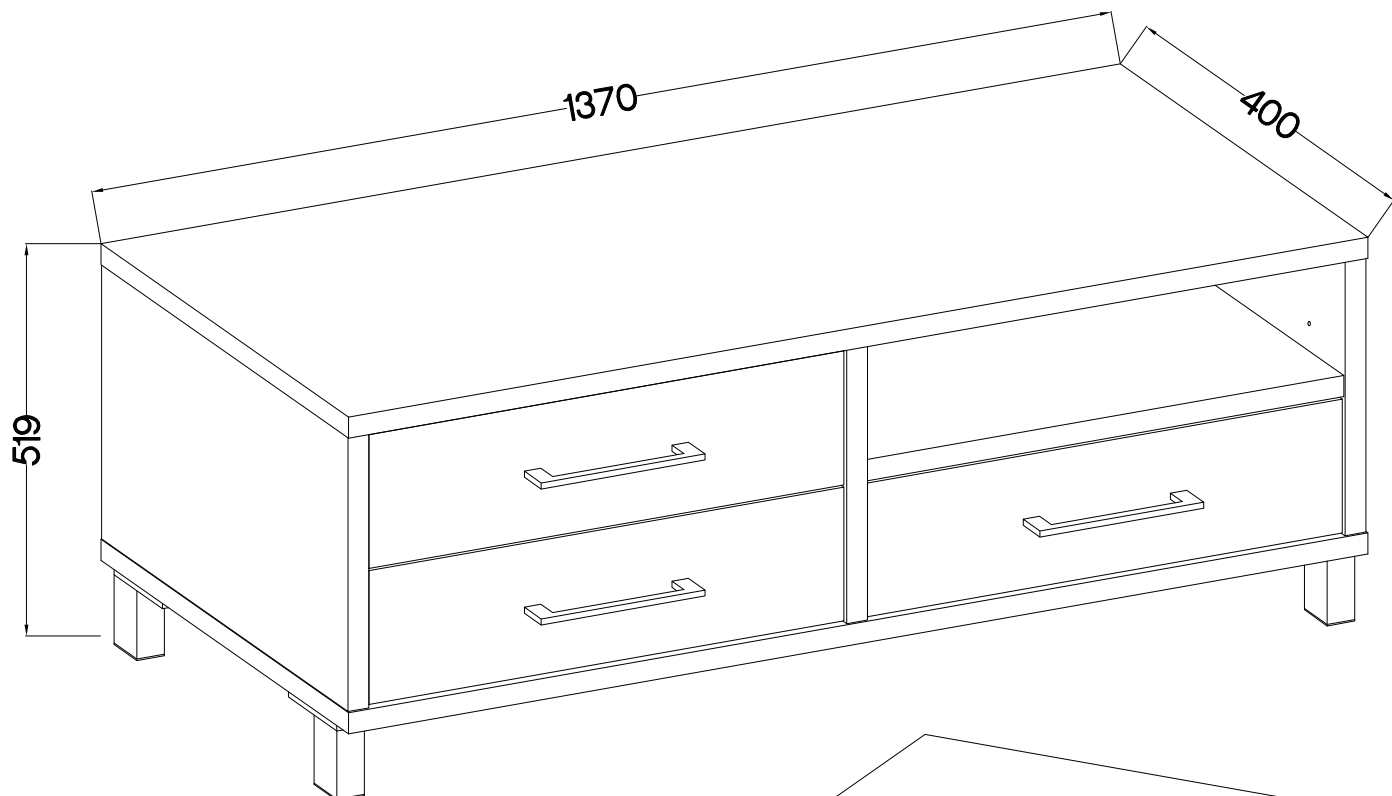
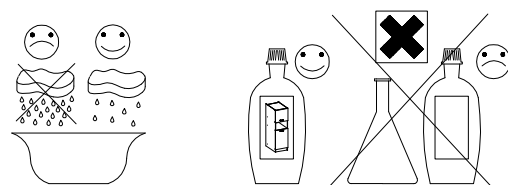
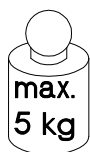
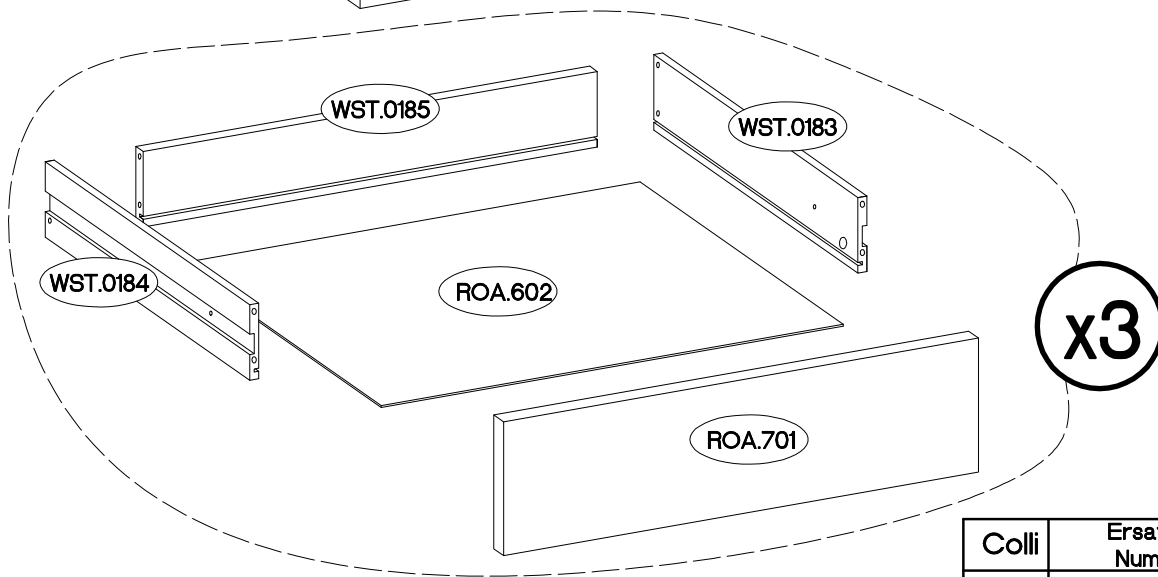
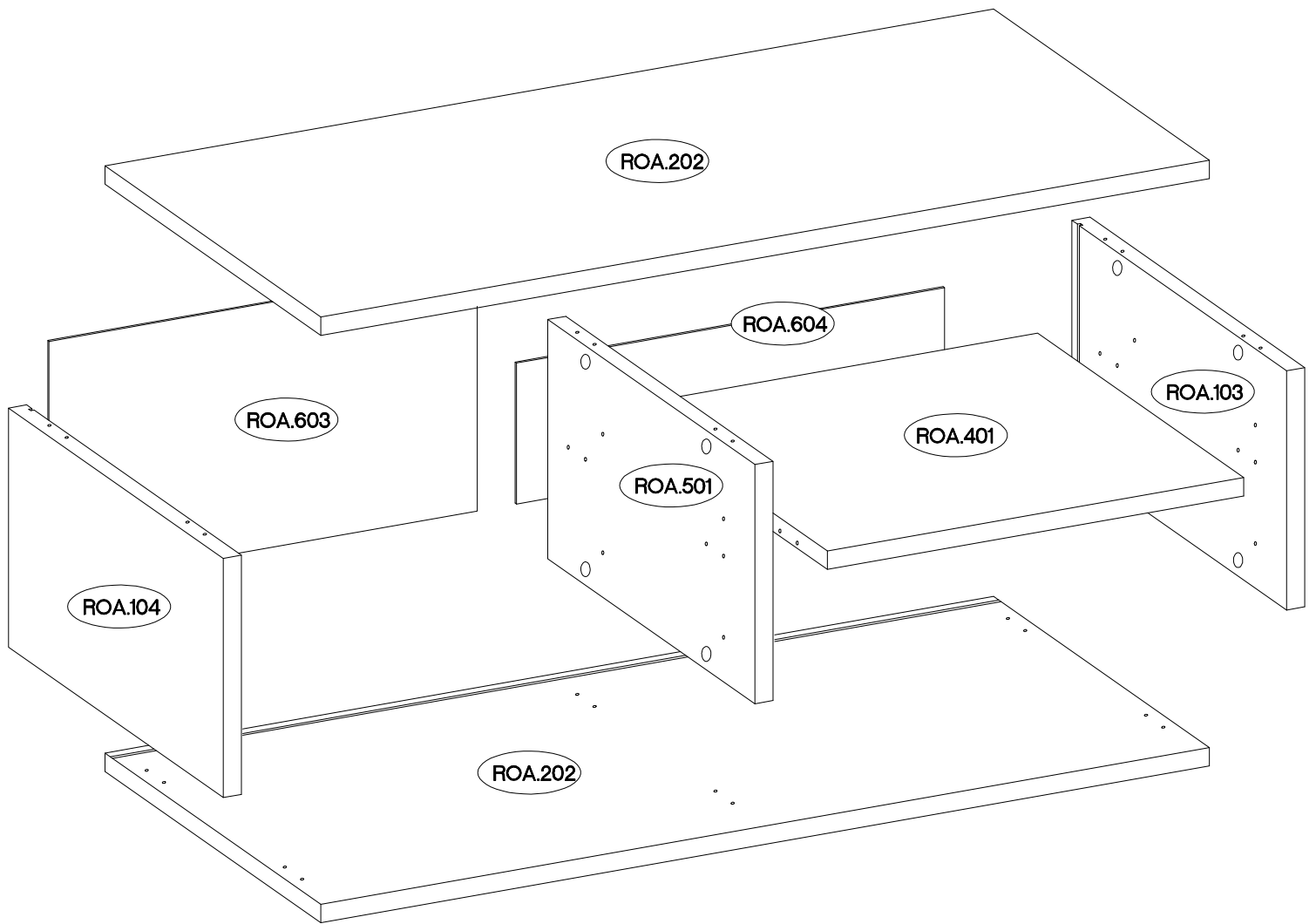


90 min

ROMEL



 +8x30mm <b>A</b> 28	 +6x42mm <b>B2</b> 6	 +15/12mm <b>C</b> 16	 +12/10mm <b>C5</b> 6	 L=20mm <b>D2</b> 22	 <b>E</b> 2	 +15 <b>E16</b> 2							
 <b>F21</b> 5	 27/310mm <b>I4</b> 3	 <b>L</b> 20	 <b>L2</b> 2	 +6,3x13mm <b>M2</b> 12	 <b>O1</b> 1	 +4.0x16mm <b>P1</b> 20	 +3.0x20mm <b>P7</b> 8-10	 <b>S</b> 3	 M4x22mm <b>U</b> 6	 M4x9mm <b>U1</b> 6			



ROA.602

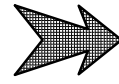
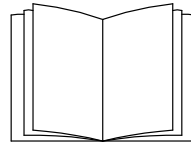


ROA.401

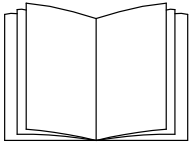
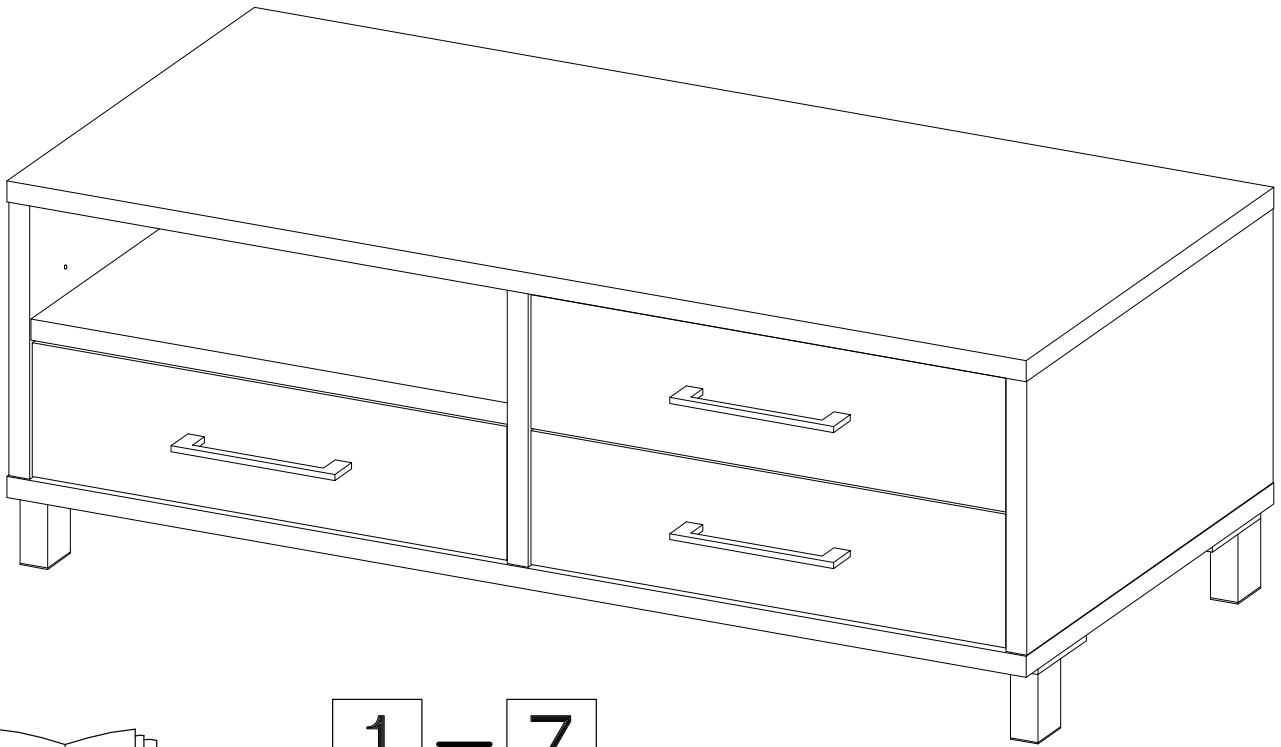
Colli	Ersatzteil Nummer	Dimension
Colli 1/2	ROA.401	642x382x28
	ROA.602 x3	620x326x2,5
	ROA.603	660x372x2,5
	ROA.604	660x214x2,5
	ROA.701 x3	638x177x16
	WST.0183 x3	330x100x12
	WST.0184 x3	330x100x12
	WST.0185 x3	609x100x12

Colli	Ersatzteil Nummer	Dimension
Colli 2/2	ROA.103	363x398x28
	ROA.104	363x398x28
	ROA.202 x2	1370x400x28
	ROA.501	363x384x28




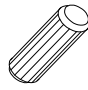



1 - 13

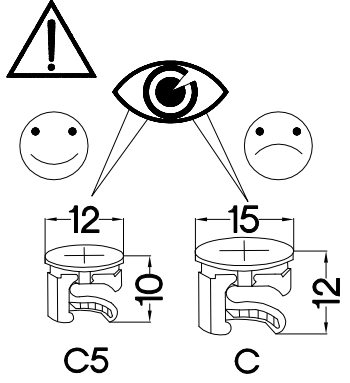
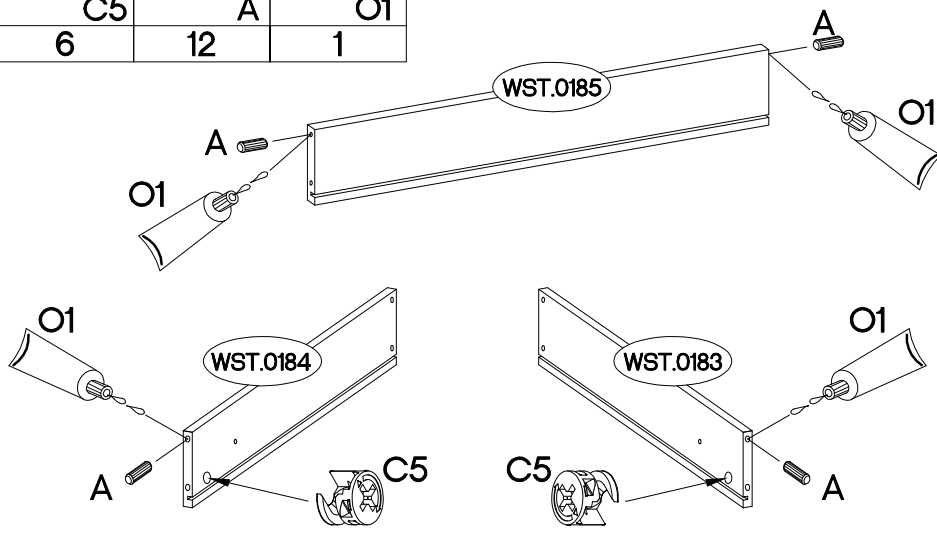
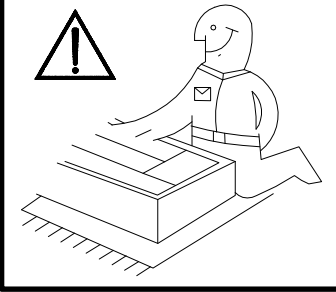


1 - 7  
14 - 19

1



±12/10mm  C5 6	±8x30mm  A 12	 O1 1
---	--	---

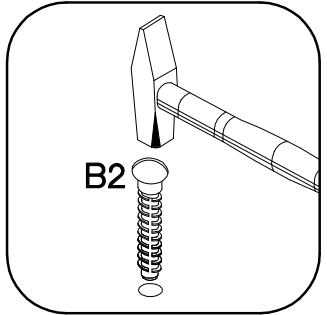
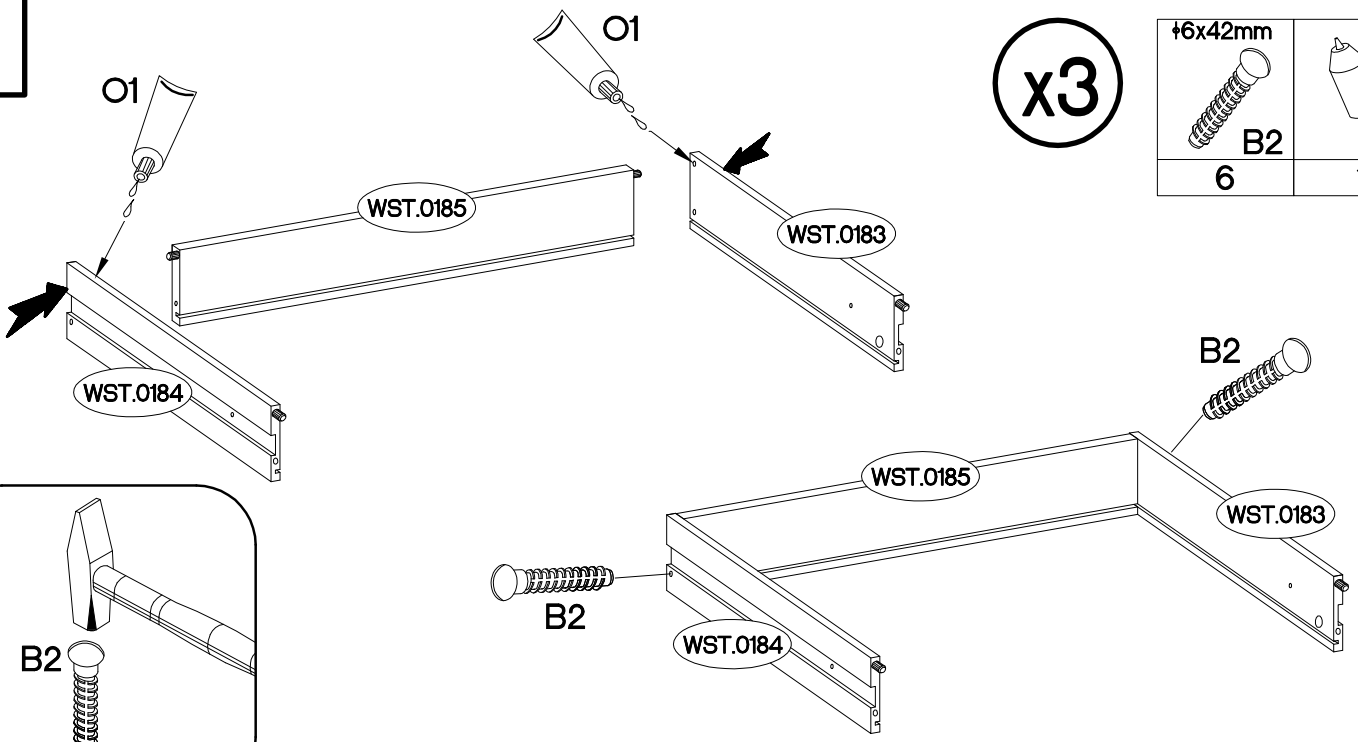
x3




2

x3

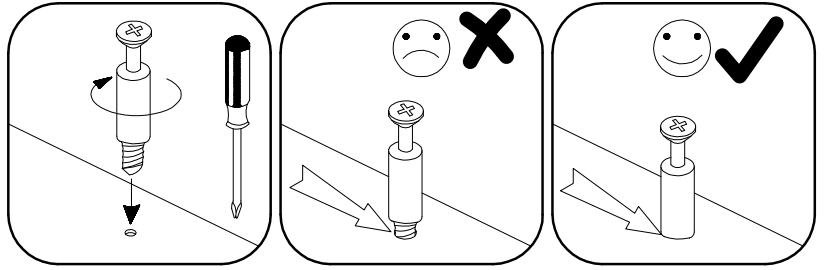
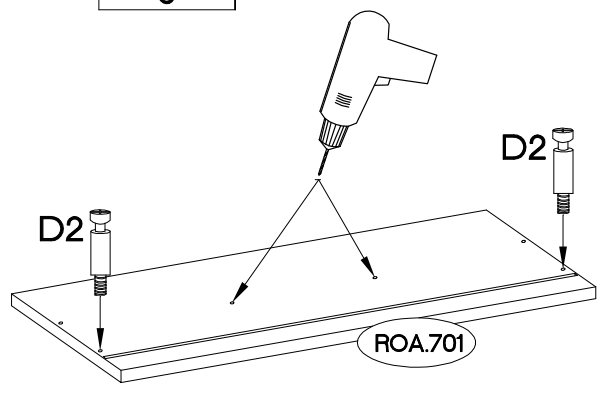
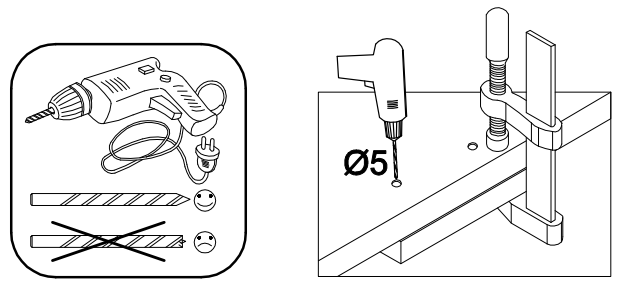
±6x42mm  B2 6	 O1 1
---	--



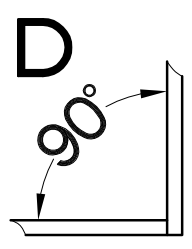
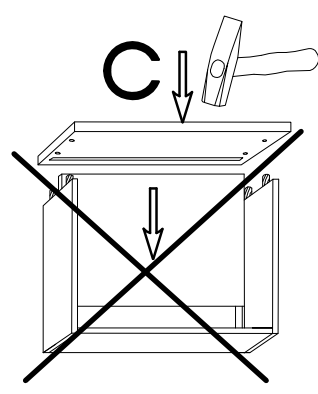
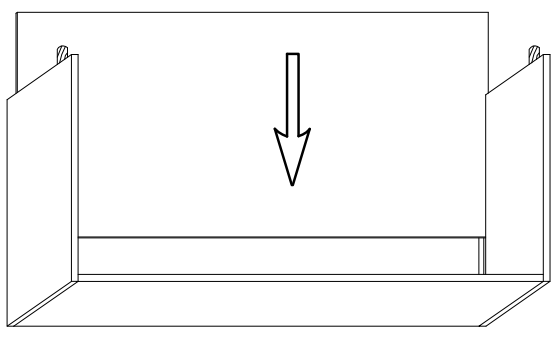
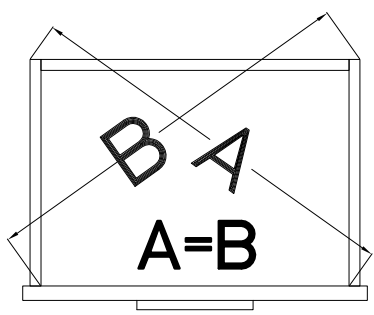
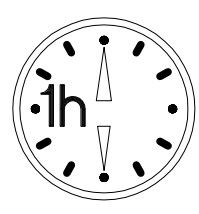
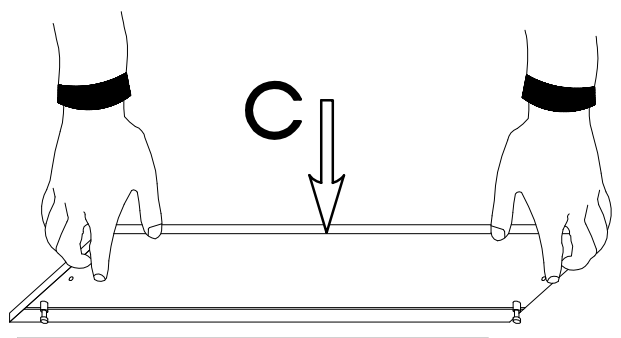
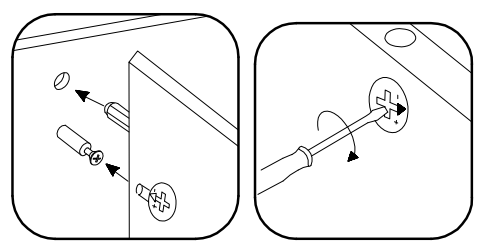
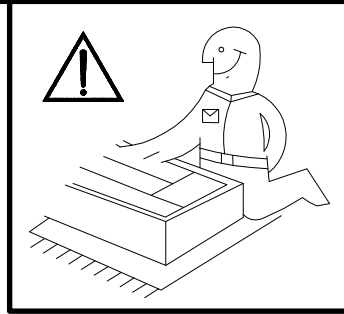
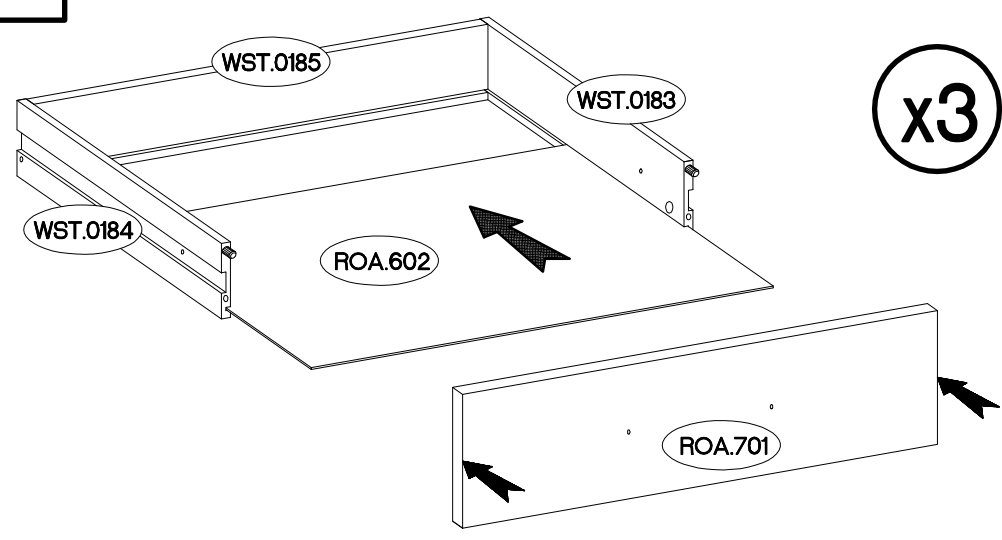
3

L=20mm  D2 6
--

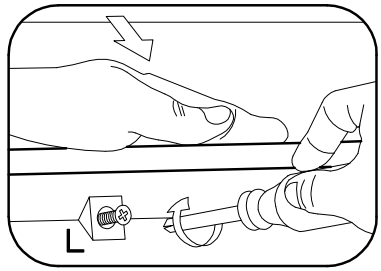
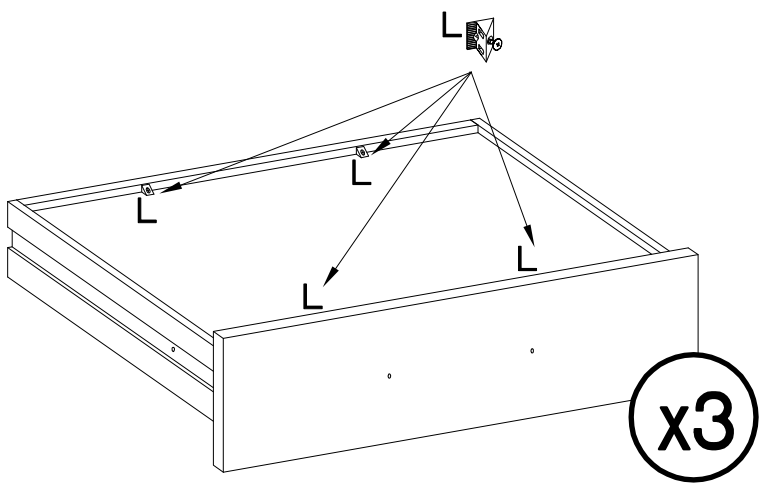
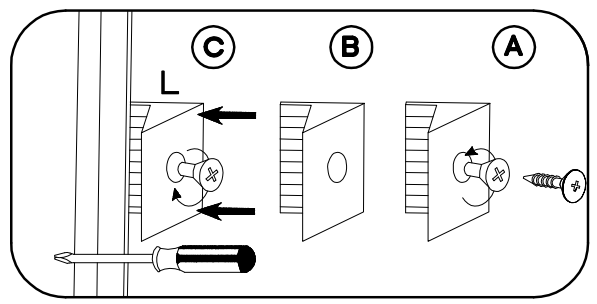
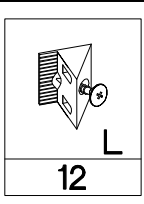
x3



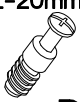
4

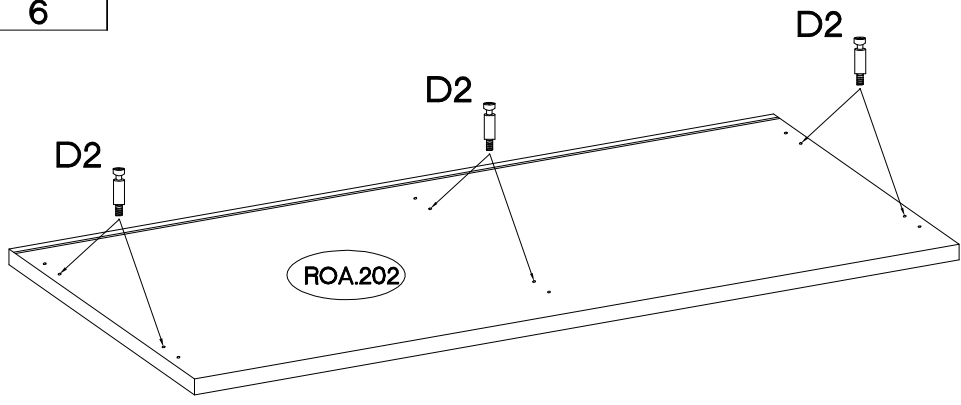
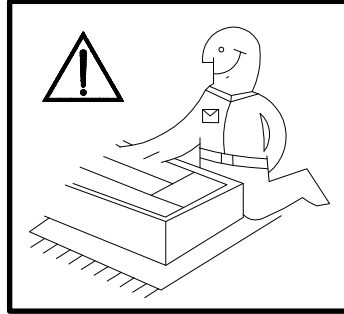


5





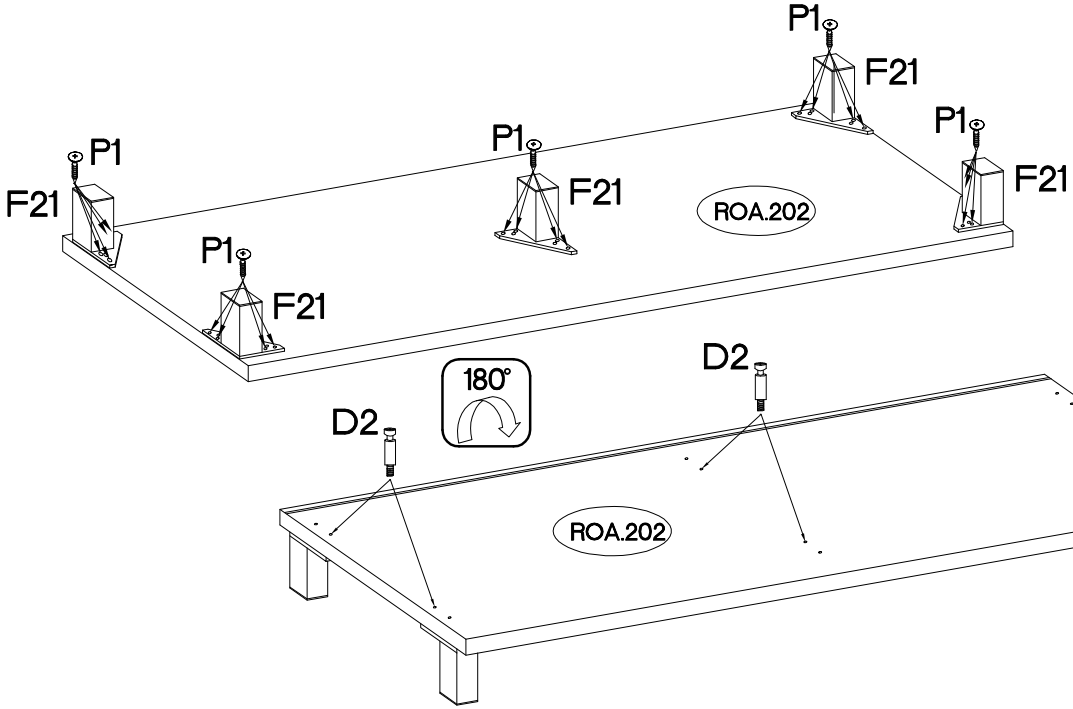
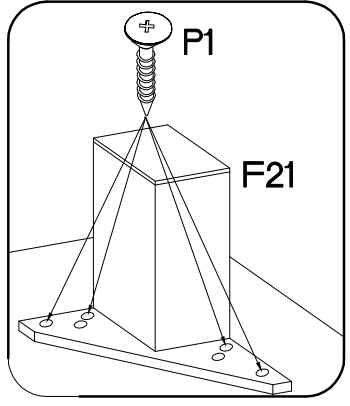
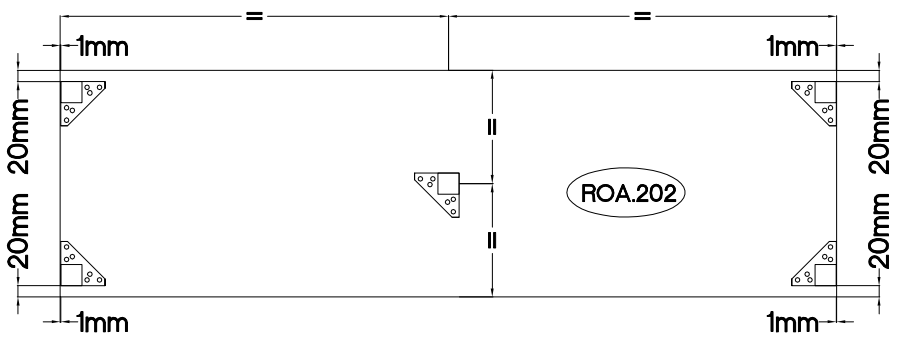
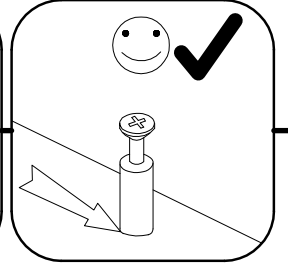
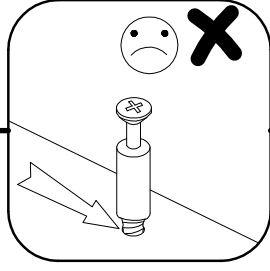
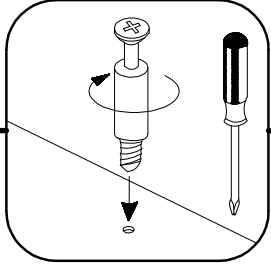
# 6

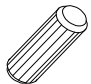




L=20mm

D2
6

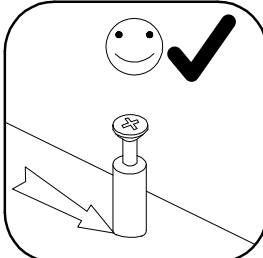
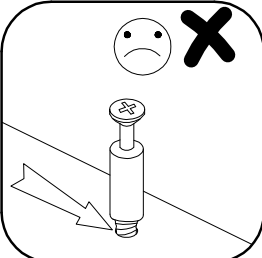
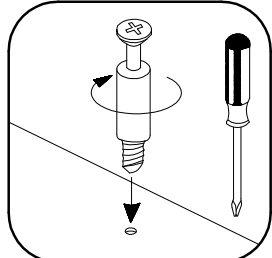
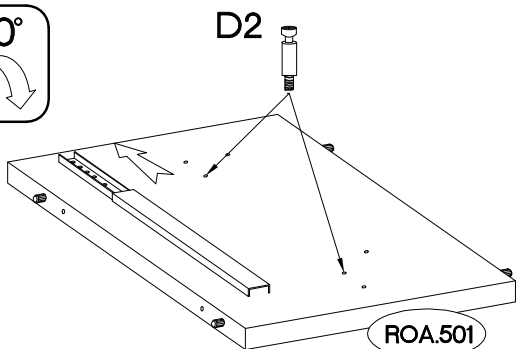
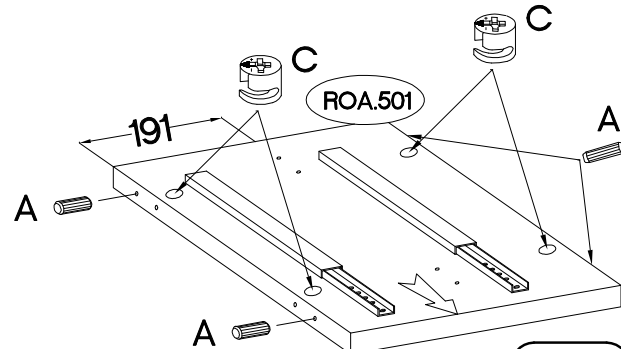
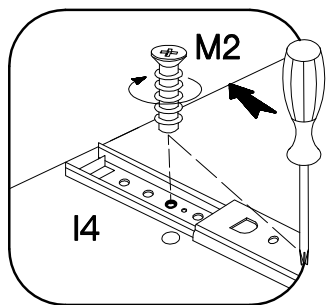
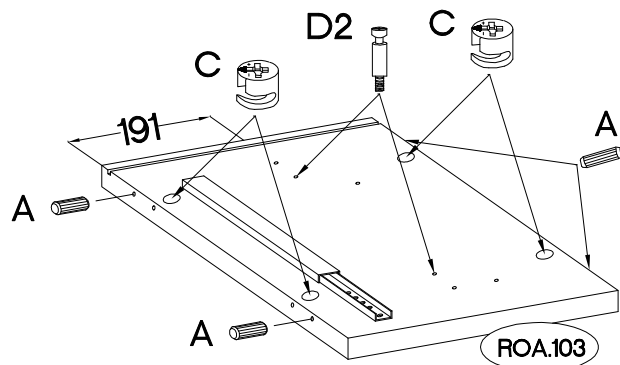
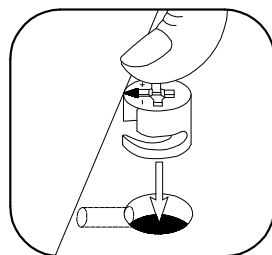
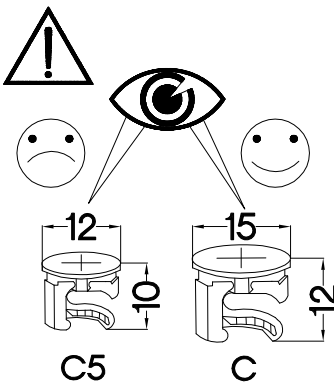
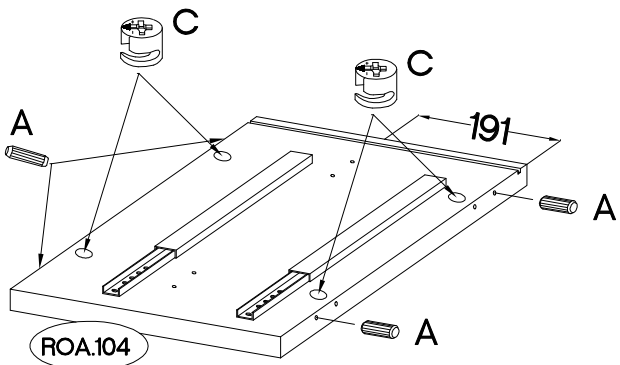
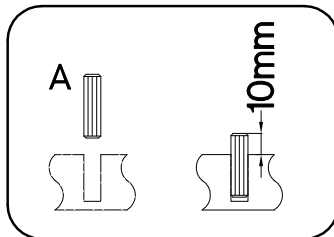
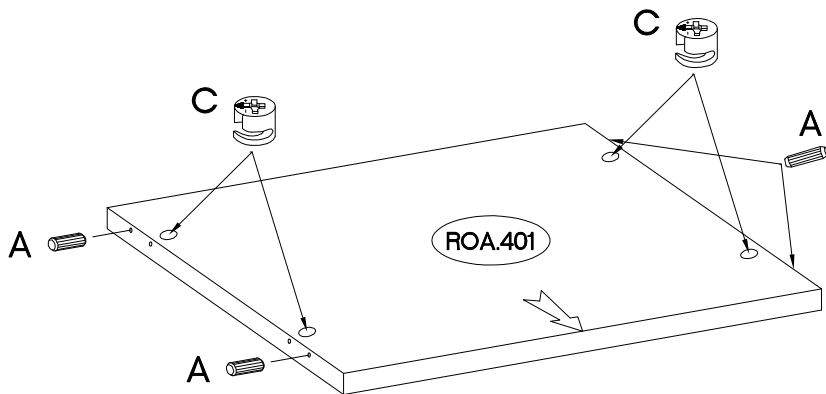
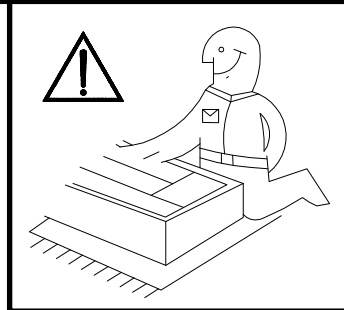


# 7

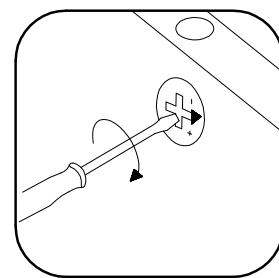
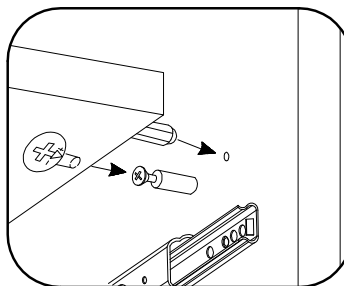
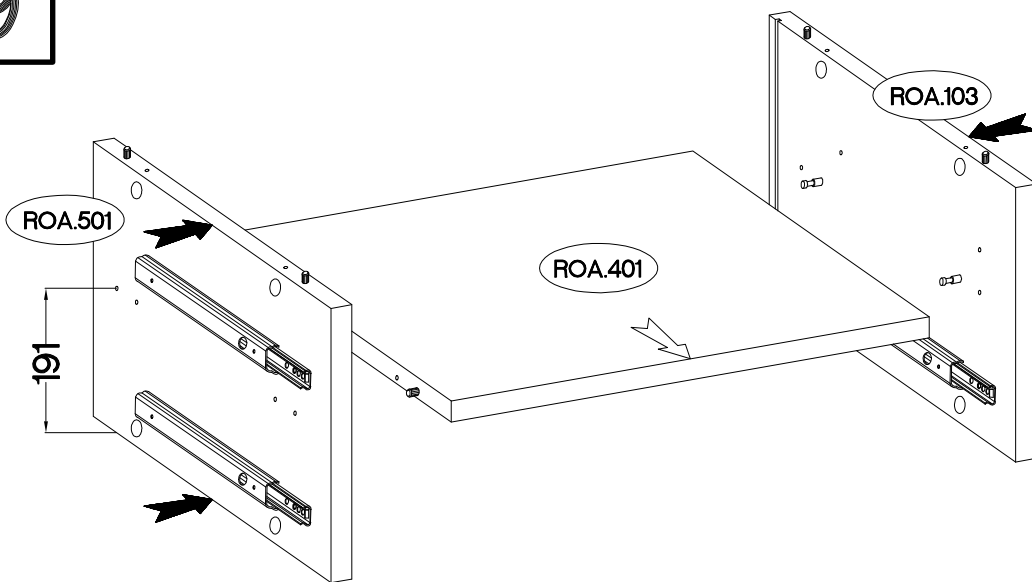
±4.0x16mm	L=20mm
	
P1	D2
20	6



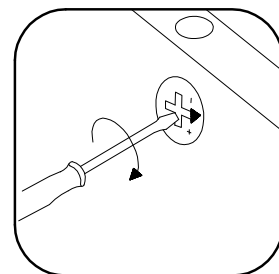
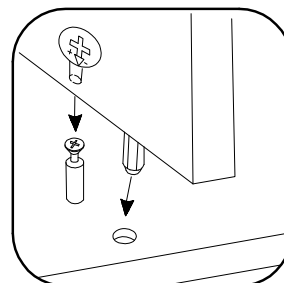
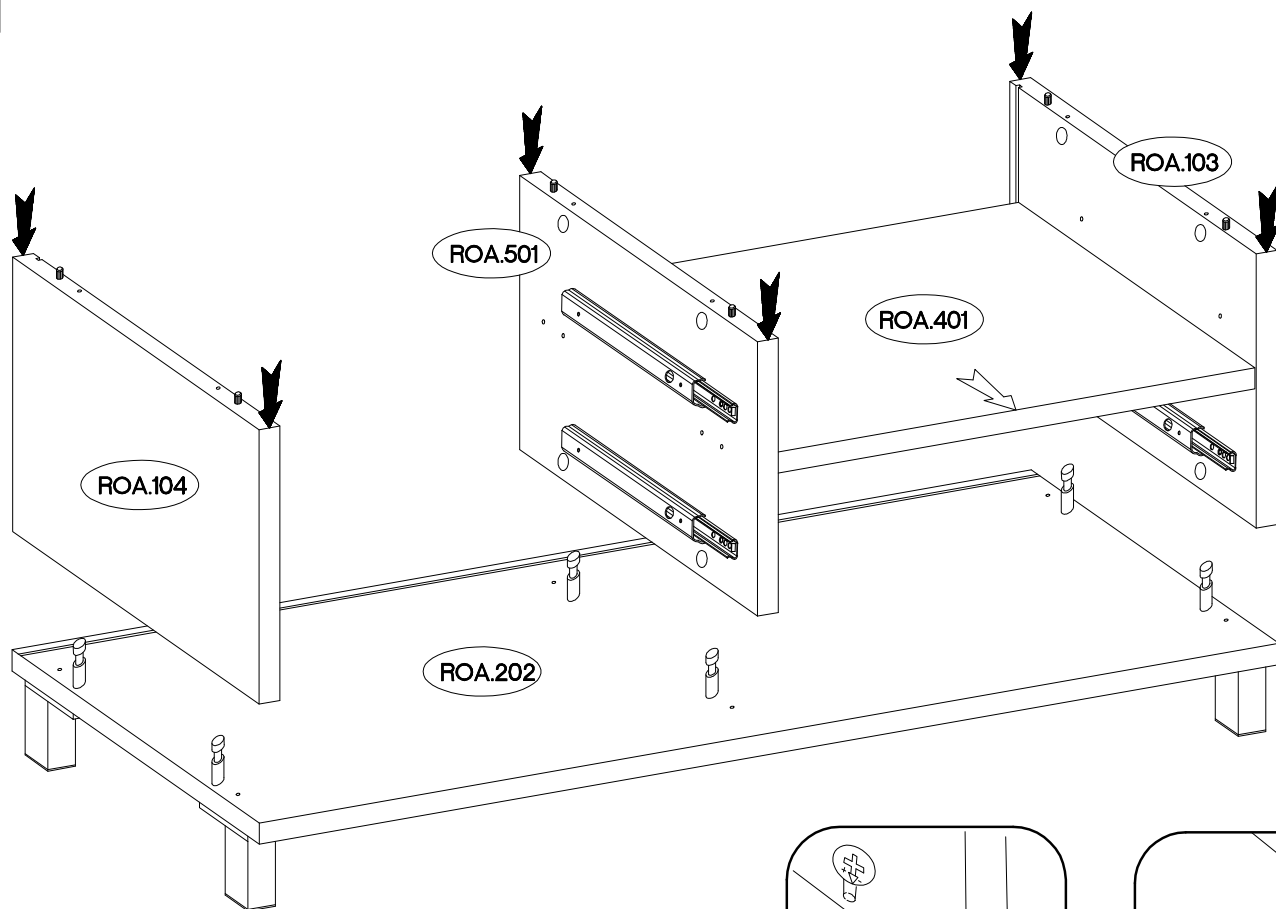
†8x30mm  A 16	27/310mm  I4 3	†6,3x13mm  M2 12	†15/12mm  C 16	L=20mm  D2 4
--	---	---	---	---



9

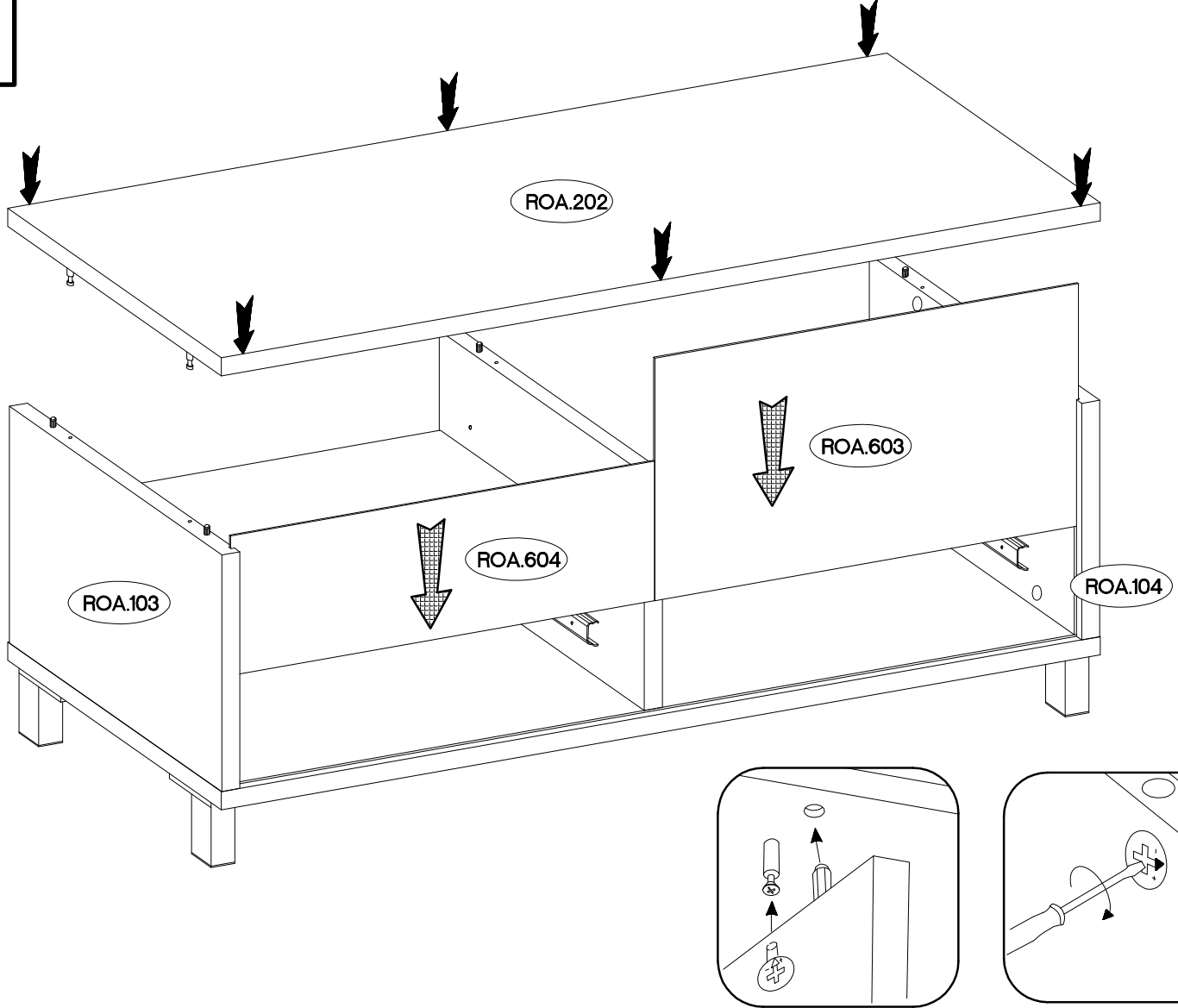


10



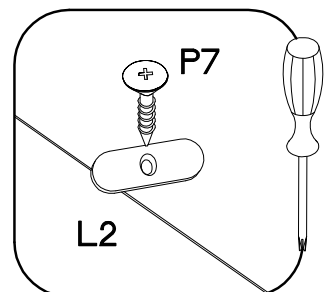
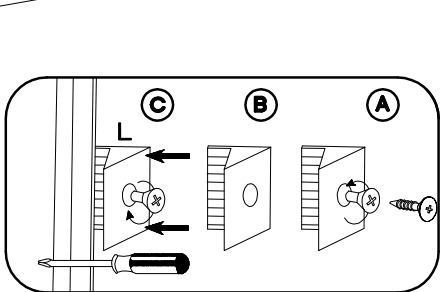
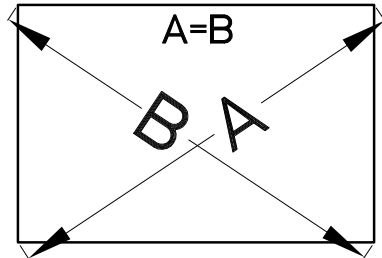
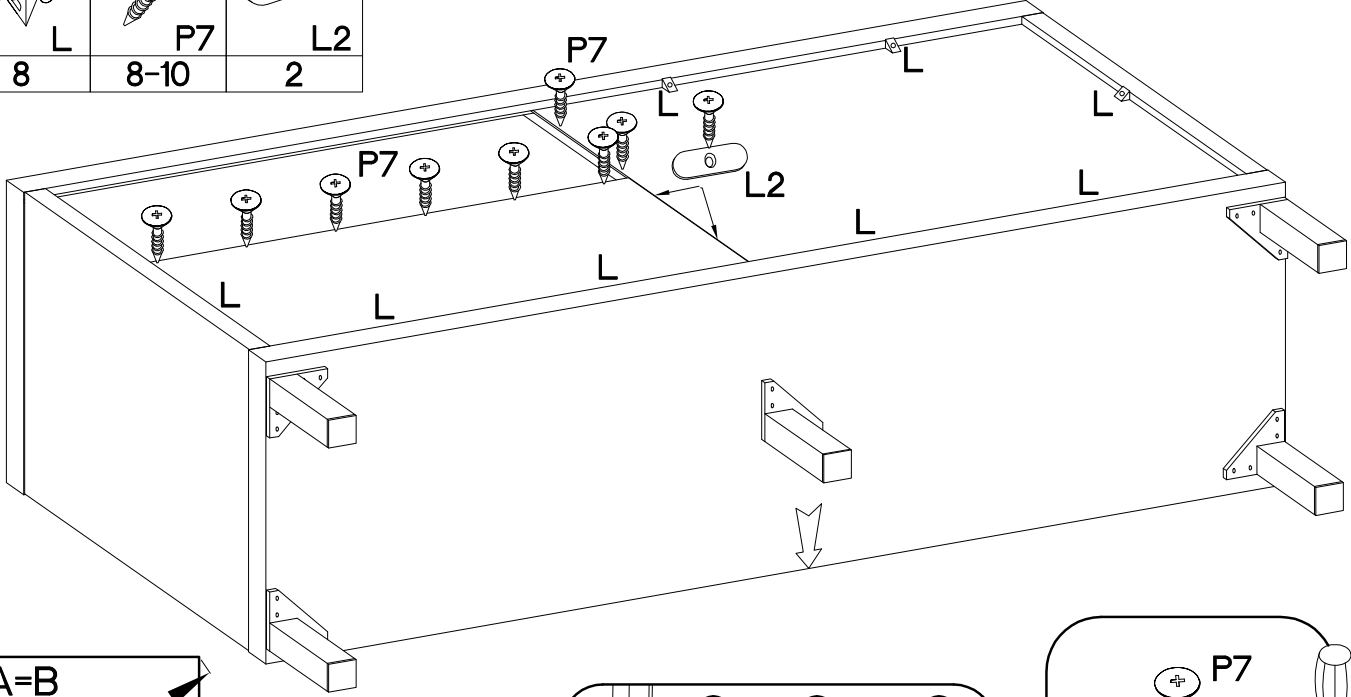


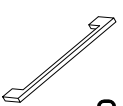


11

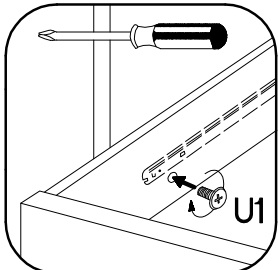
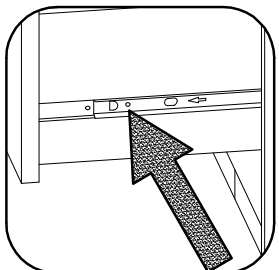
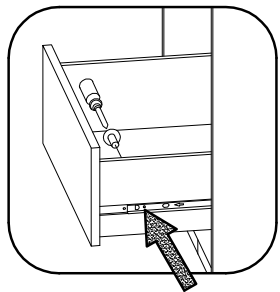
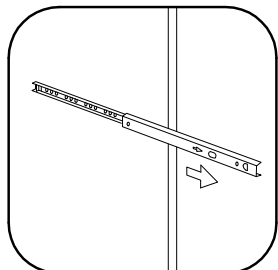
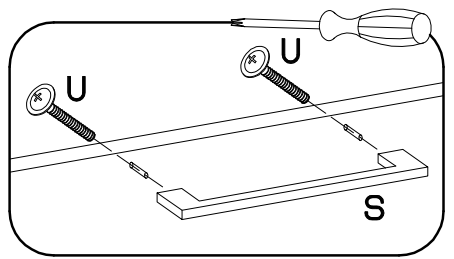
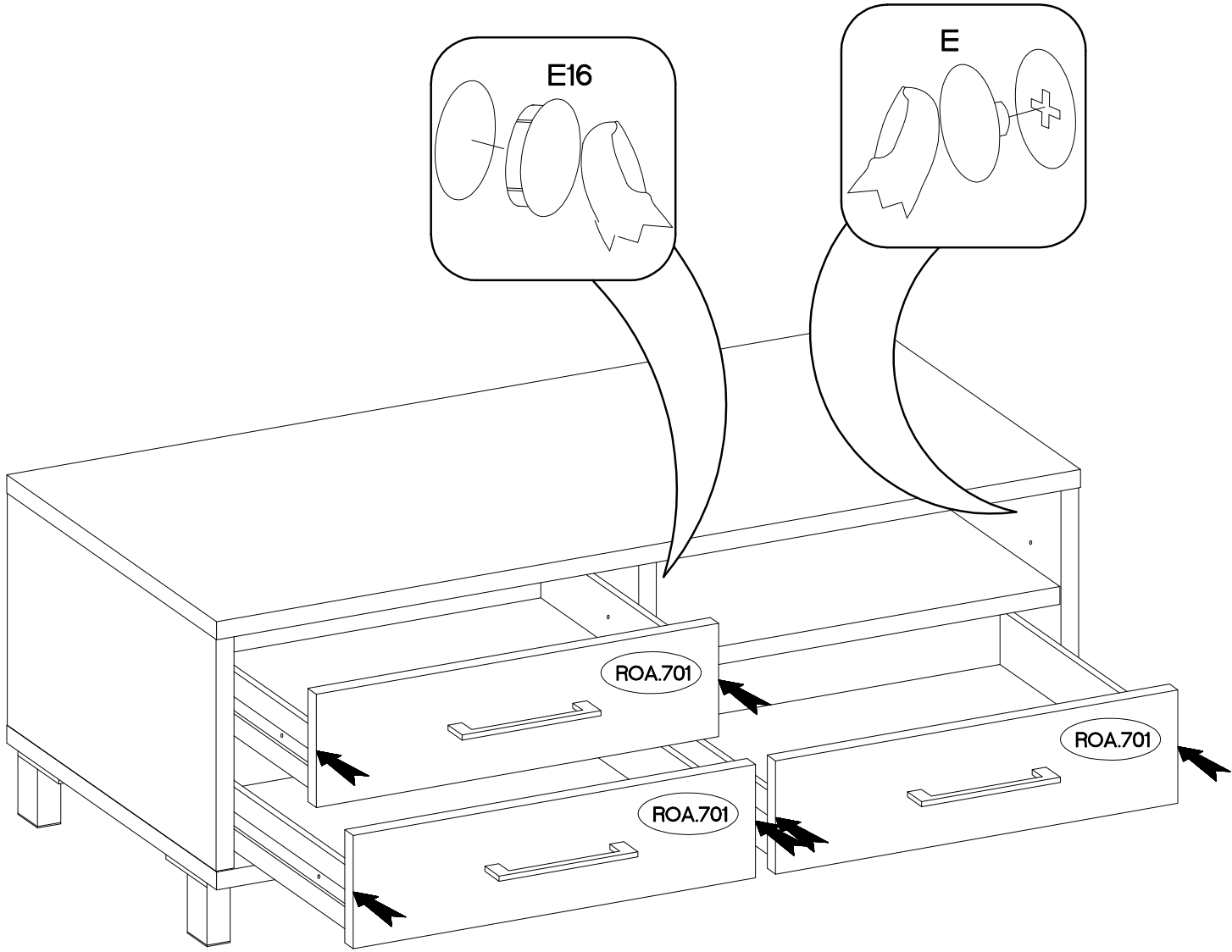


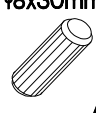
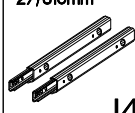

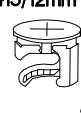

12

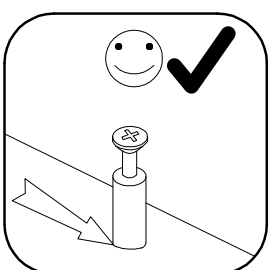
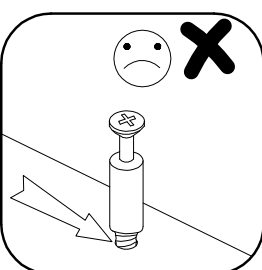
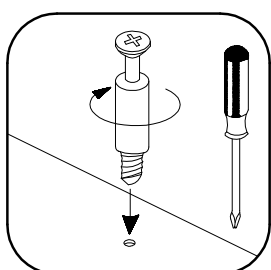
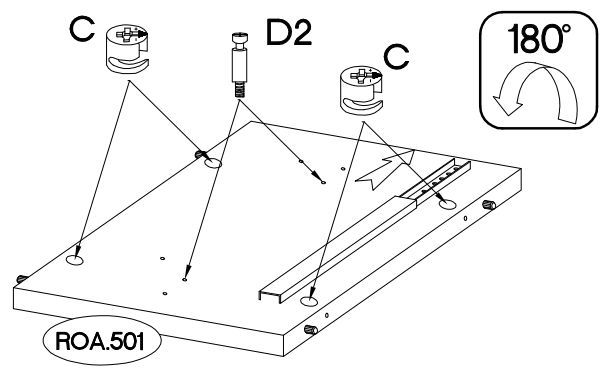
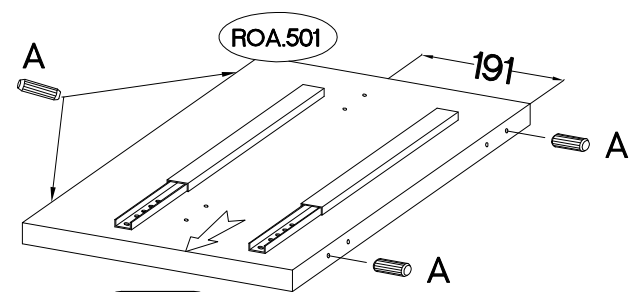
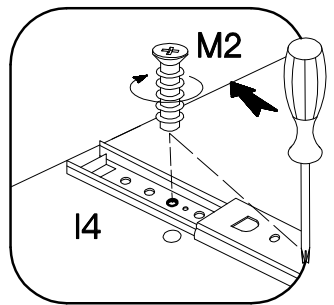
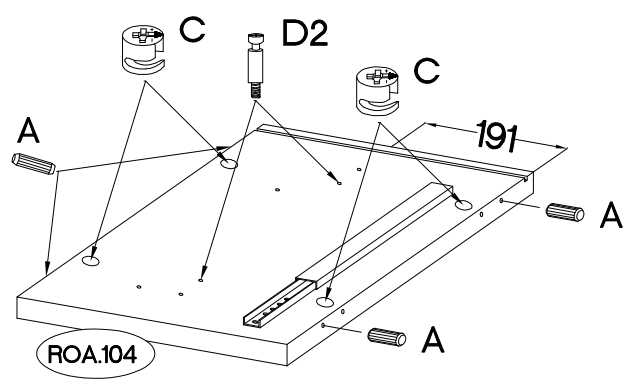
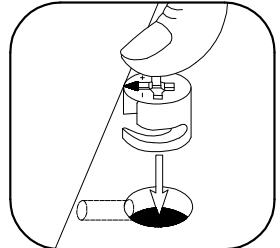
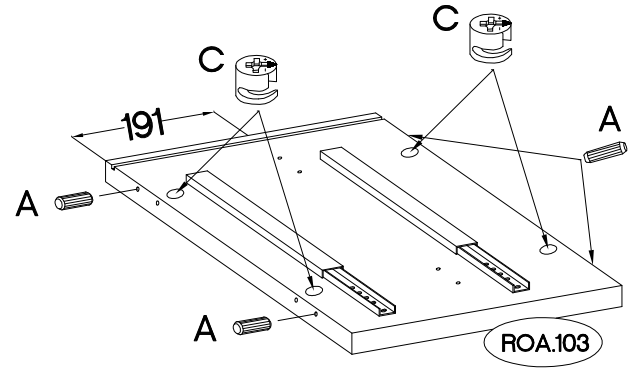
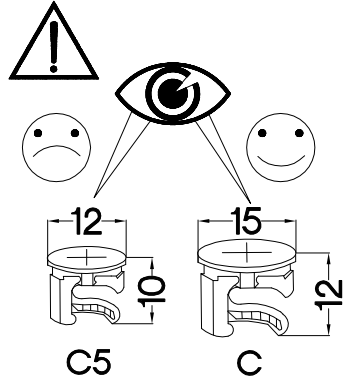
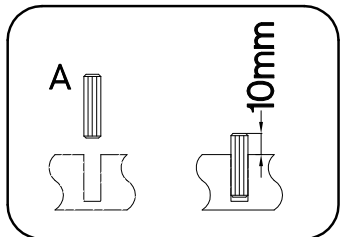
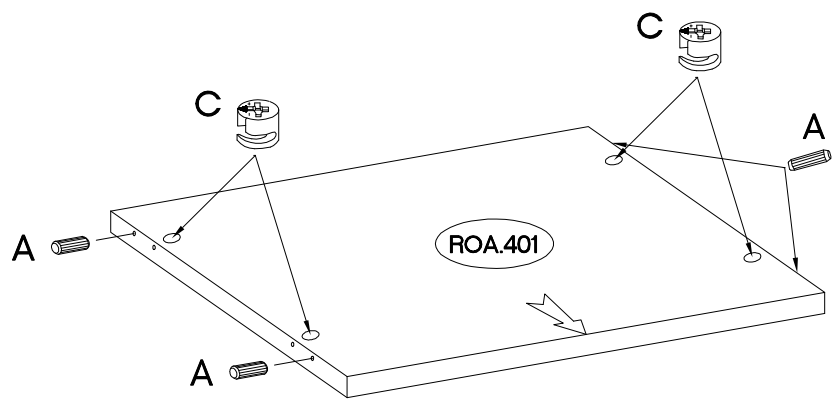
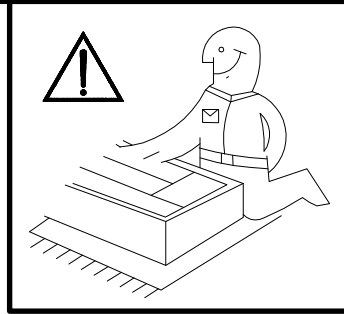
L	P7	L2
8	8-10	2



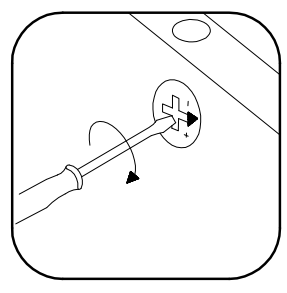
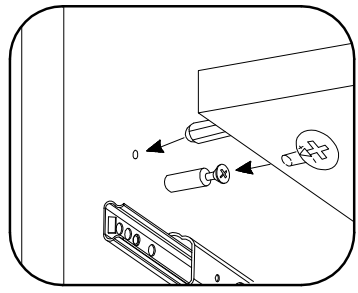
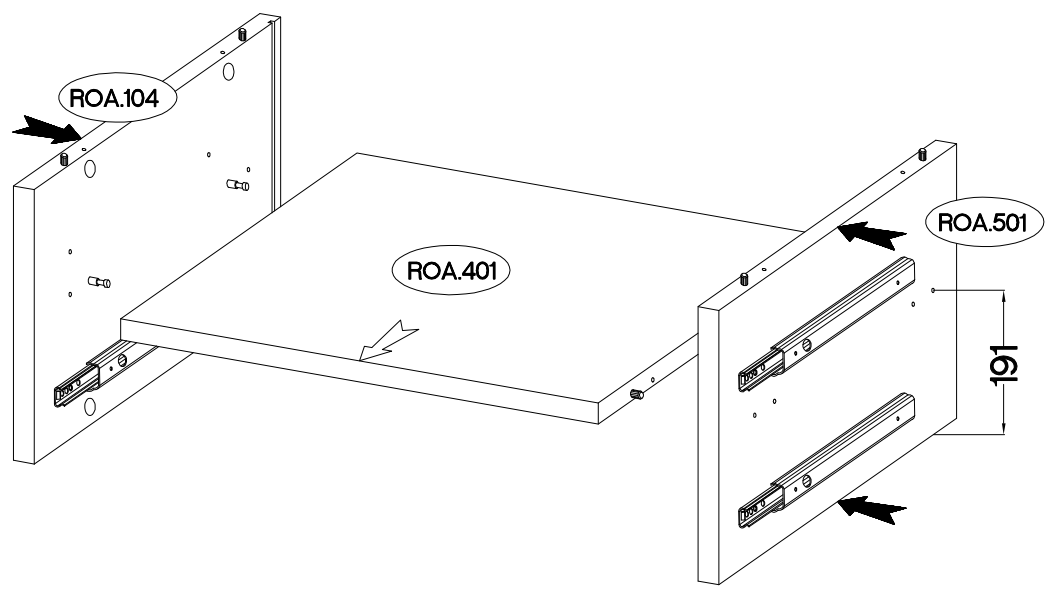
	M4x22mm		M4x9mm		Ø15
S		U		U1	E
3	6	6	2	2	E16



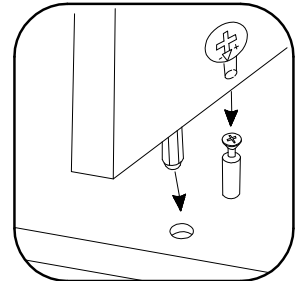
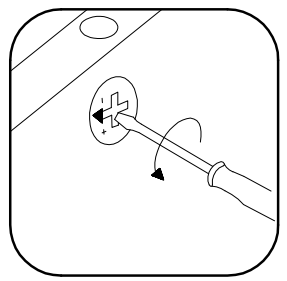
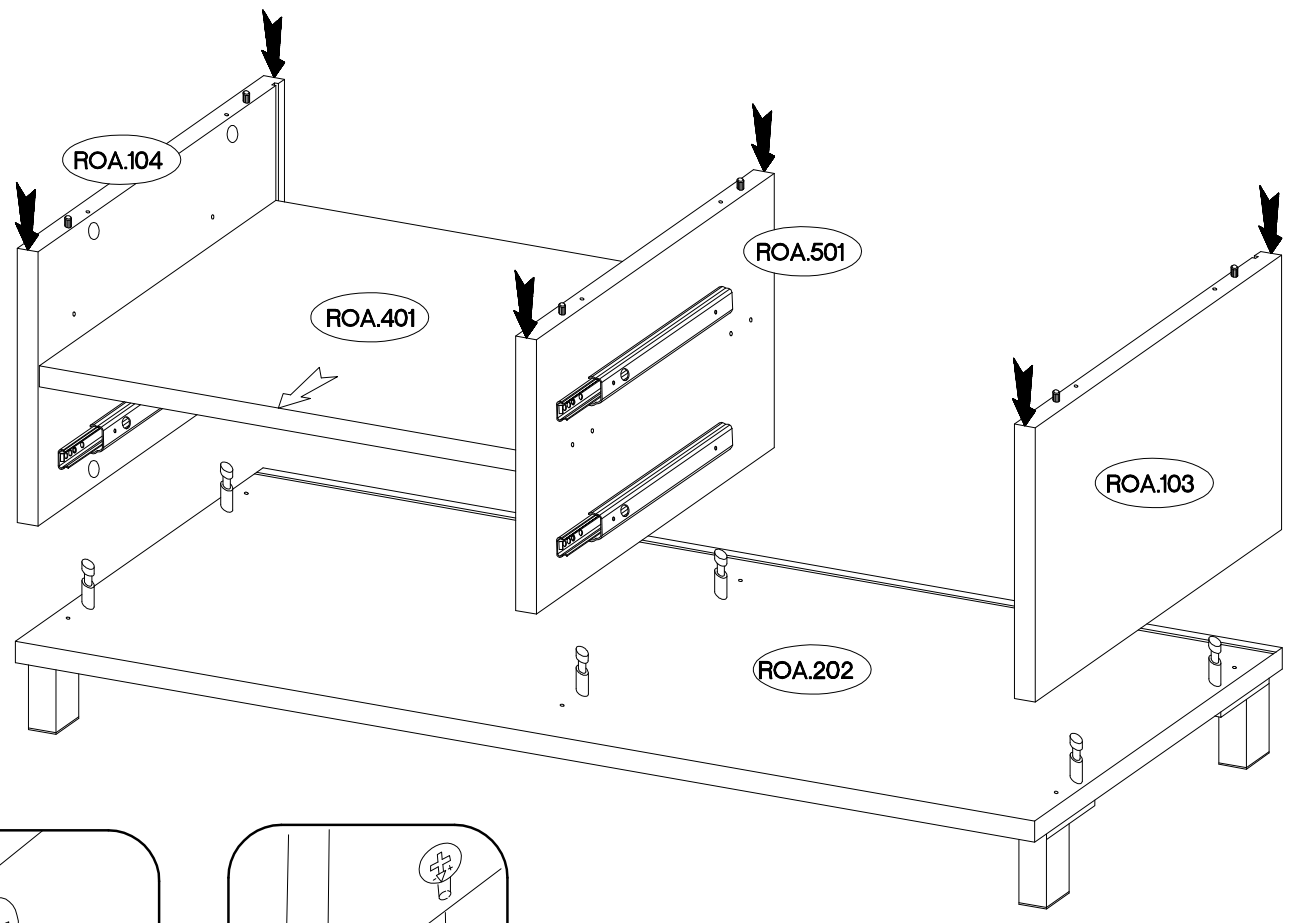
 <b>A</b>	 <b>I4</b>	 <b>M2</b>	 <b>C</b>	 <b>D2</b>
16	3	12	16	4



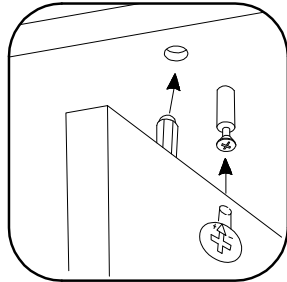
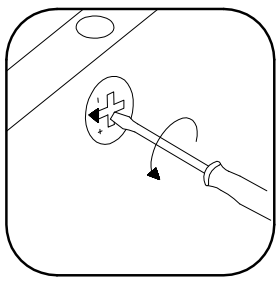
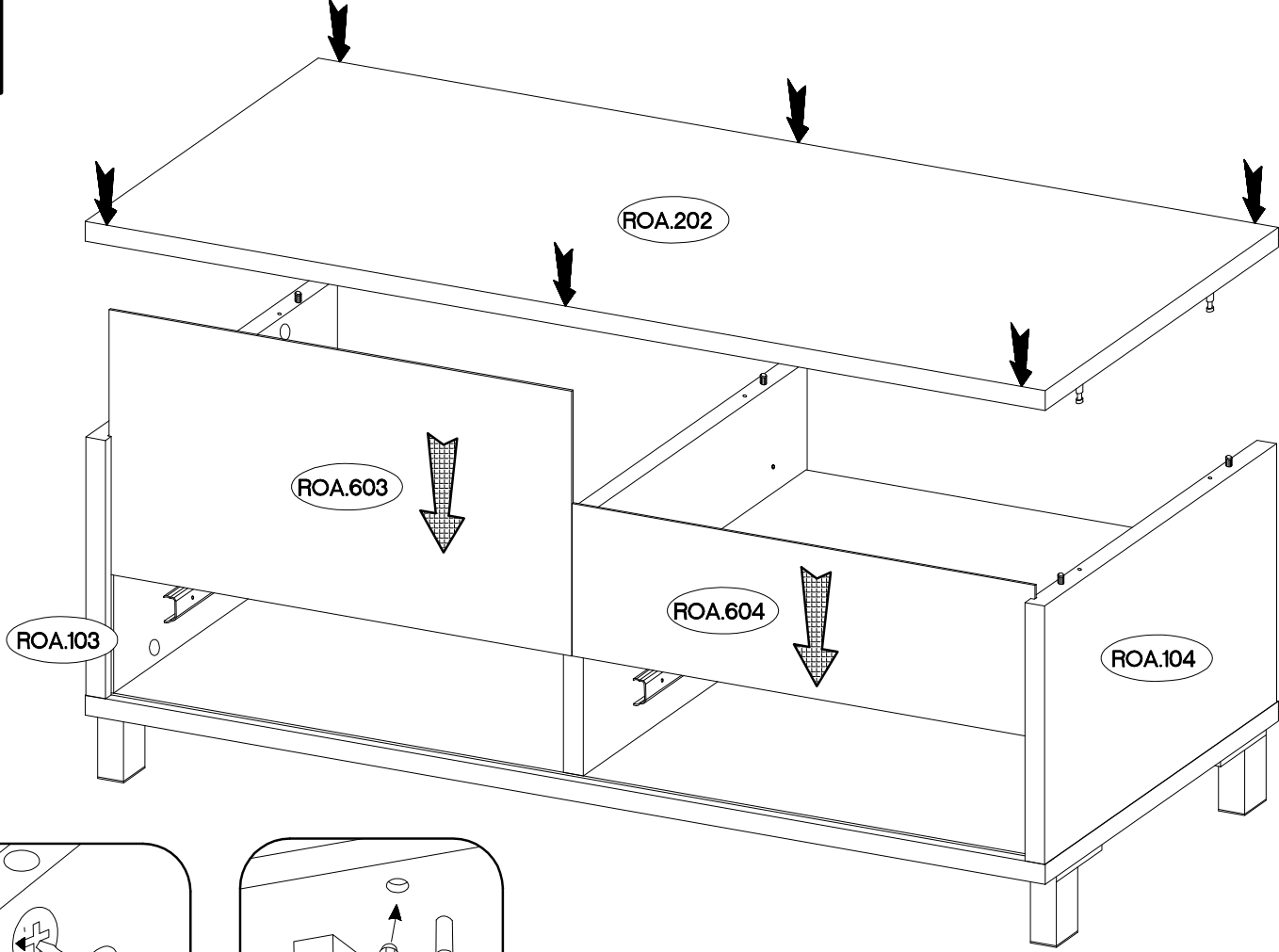
15



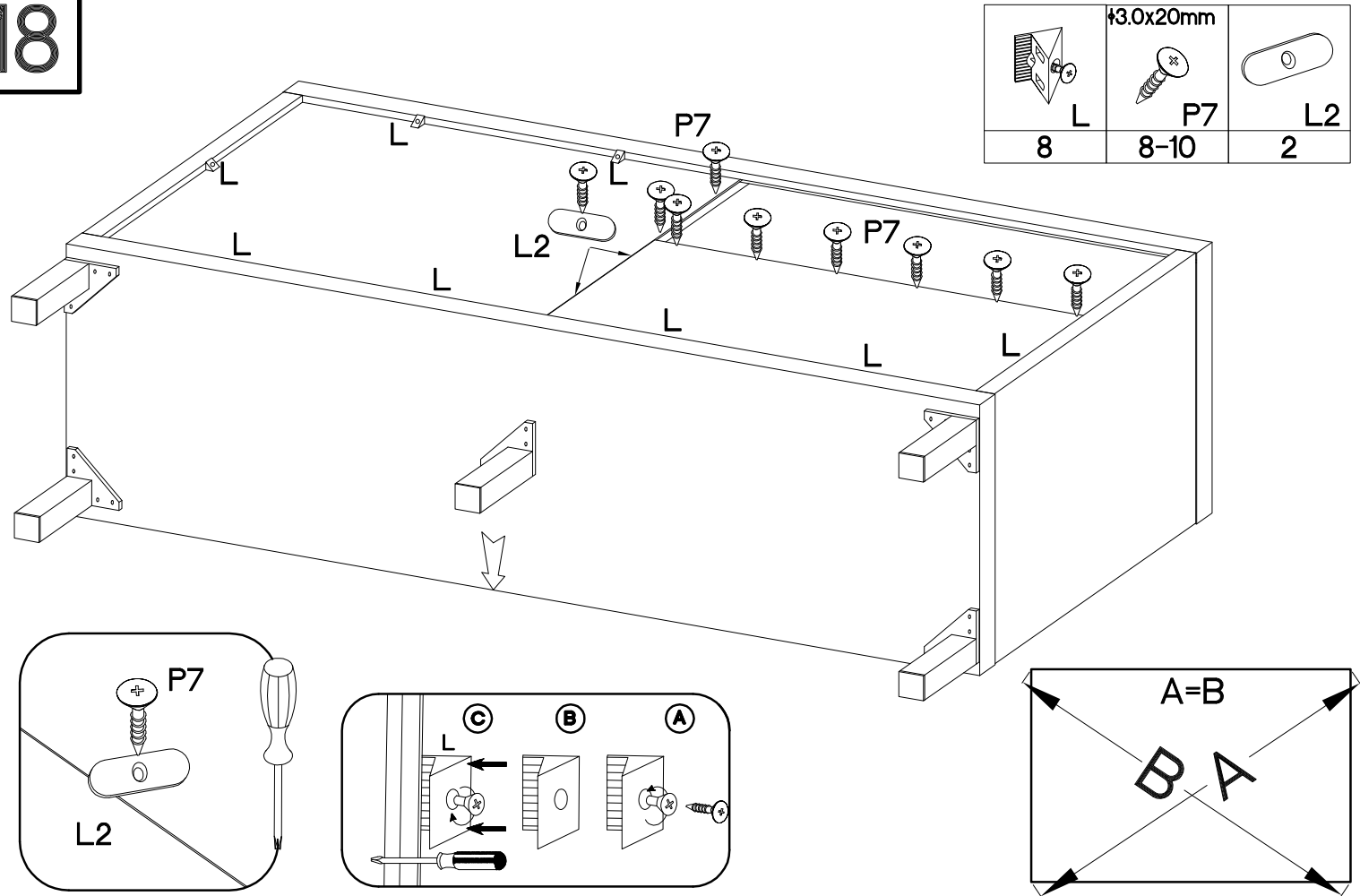
16

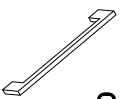






17



18



	M4x22mm		M4x9mm			
S		U		U1	E	E16
3		6		6	2	2

