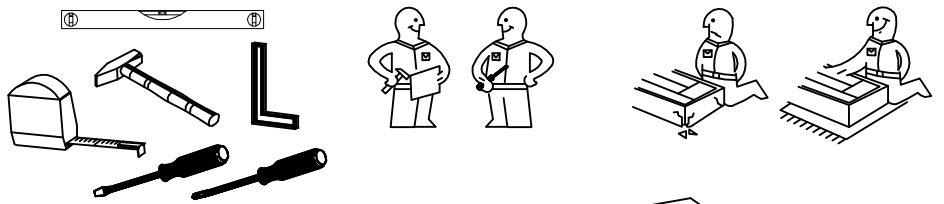
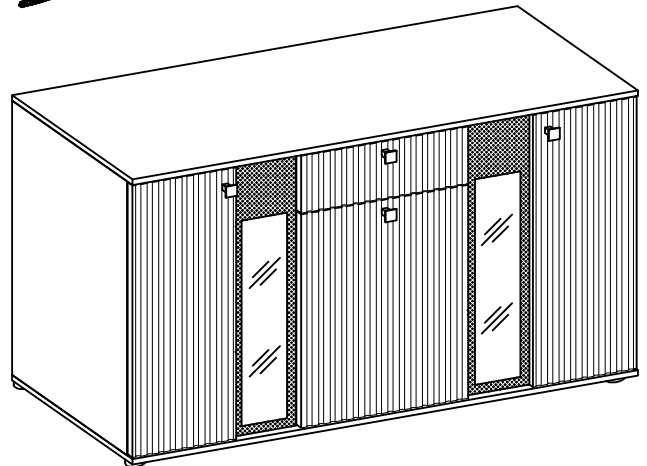
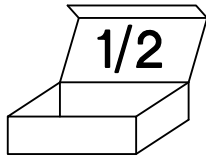


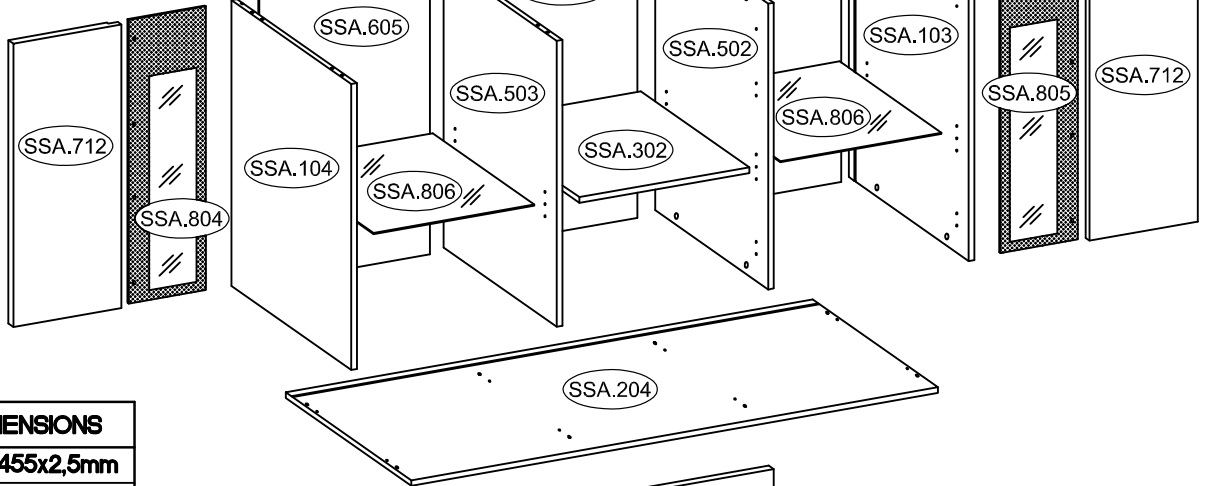
# SALIA



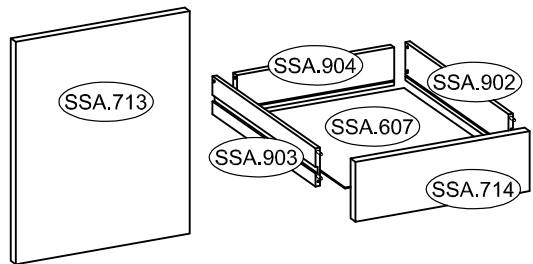
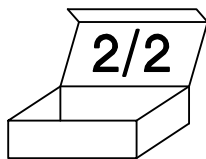
ELEMENT	DIMENSIONS
SSA.103 x1	750x384x15mm
SSA.104 x1	750x384x15mm
SSA.204 x2	1404x402x15mm
SSA.302 x1	453x347x15mm
SSA.502 x1	750x362x15mm
SSA.503 x1	750x362x15mm
SSA.607 x1	326x429x15mm
WST.0001 x1	330x100x12mm
WST.0002 x1	330x100x12mm
WST.0012 x1	419x100x12mm



- SSA.204 = max. 25kg
- SSA.302 = max. 5kg
- SSA.806 = max. 2kg

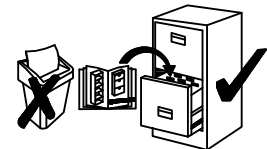


ELEMENT	DIMENSIONS
SSA.605 x2	759x455x2,5mm
SSA.606 x1	759x465x2,5mm
SSA.712 x1	288x744x16mm
SSA.712 x1	288x744x16mm
SSA.713 x1	464x584x16mm
SSA.714 x1	464x157x16mm
SSA.804 x1	744x206x4mm
SSA.805 x1	744x206x4mm
SSA.806 x2	443x347x5mm



**1B** : S 4 U 4

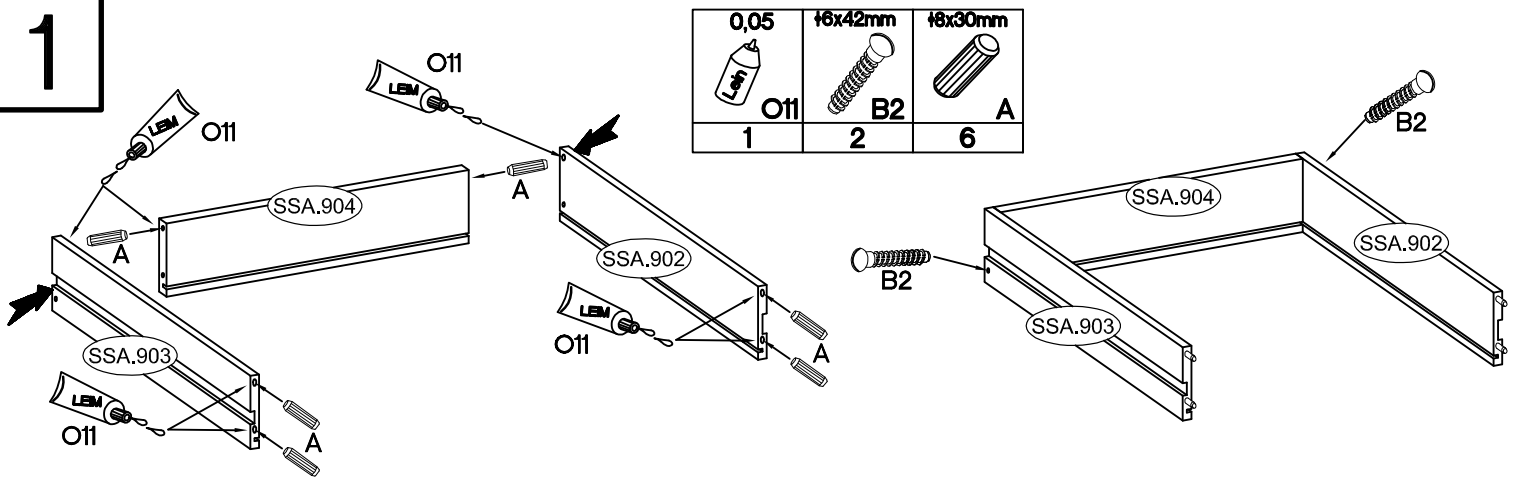
**2B** : H 6 G 4 P5 12 G1 2



**3B** :

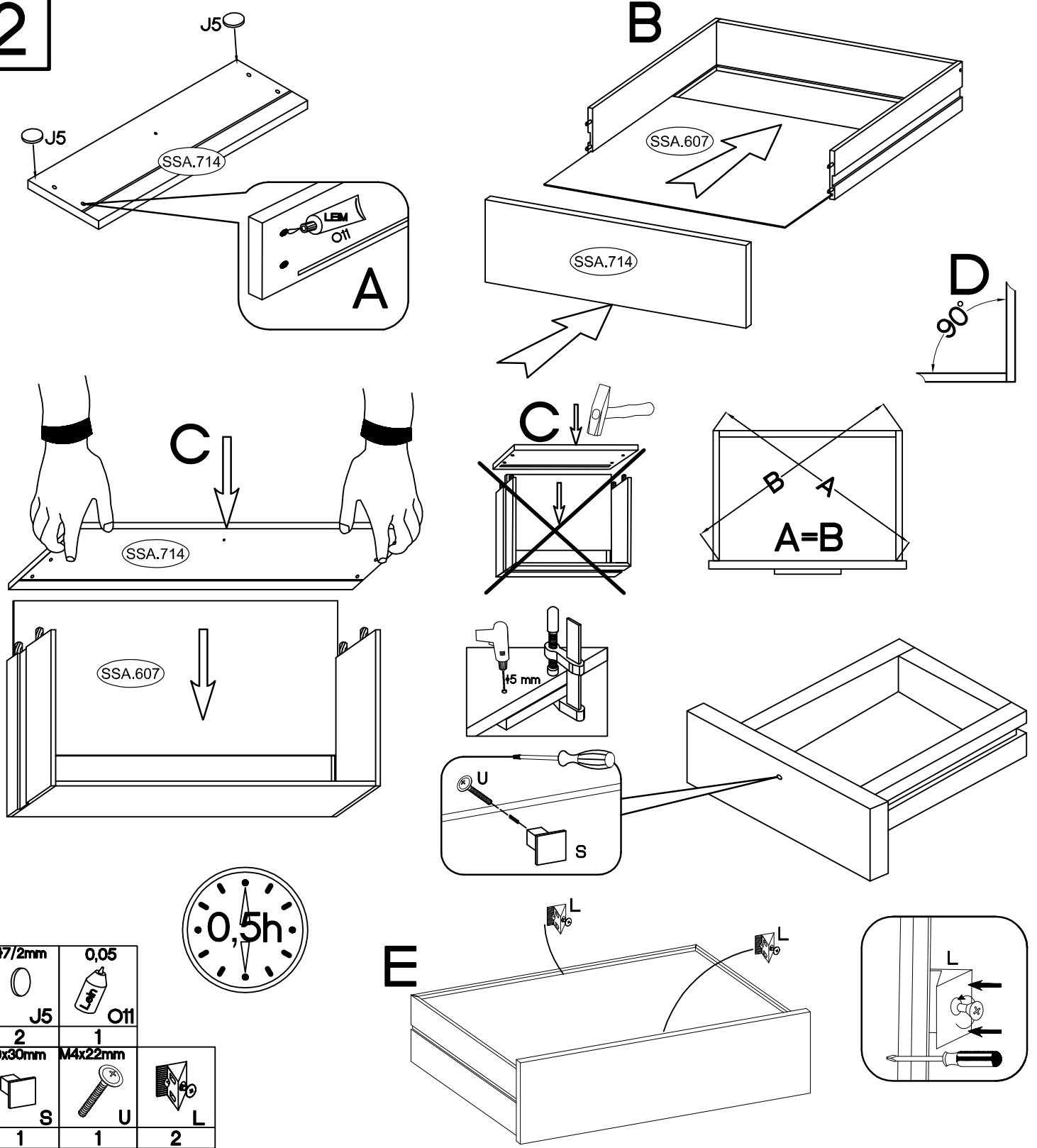
C 16	A 22	J7 8	R5 8	J3 4	J12 8	O7 2	L2 10	J15 8	J5 8	B2 2	D2 16
P14 6	F10 6	P5 2	L 12	E 12	M2 4	14 1	L9 2	U1 2	P7 10	O11 1	

1



0,05 LEH O11 1	16x42mm B2 2	16x30mm A 6
-------------------------	--------------------	-------------------

2



17/2mm J5 2	0,05 LEH O11 1	30x30mm S 1	M4x22mm U 1	L 2
-------------------	-------------------------	-------------------	-------------------	--------



# 3

H=0	±35/0mm	±3.5x13mm	±7/2mm
H	G	P5	J5
4	4	8	4
±7/4mm	±4.0x12mm	±6/11mm	0,05
J7	R5	J15	Loct O11
8	8	8	1

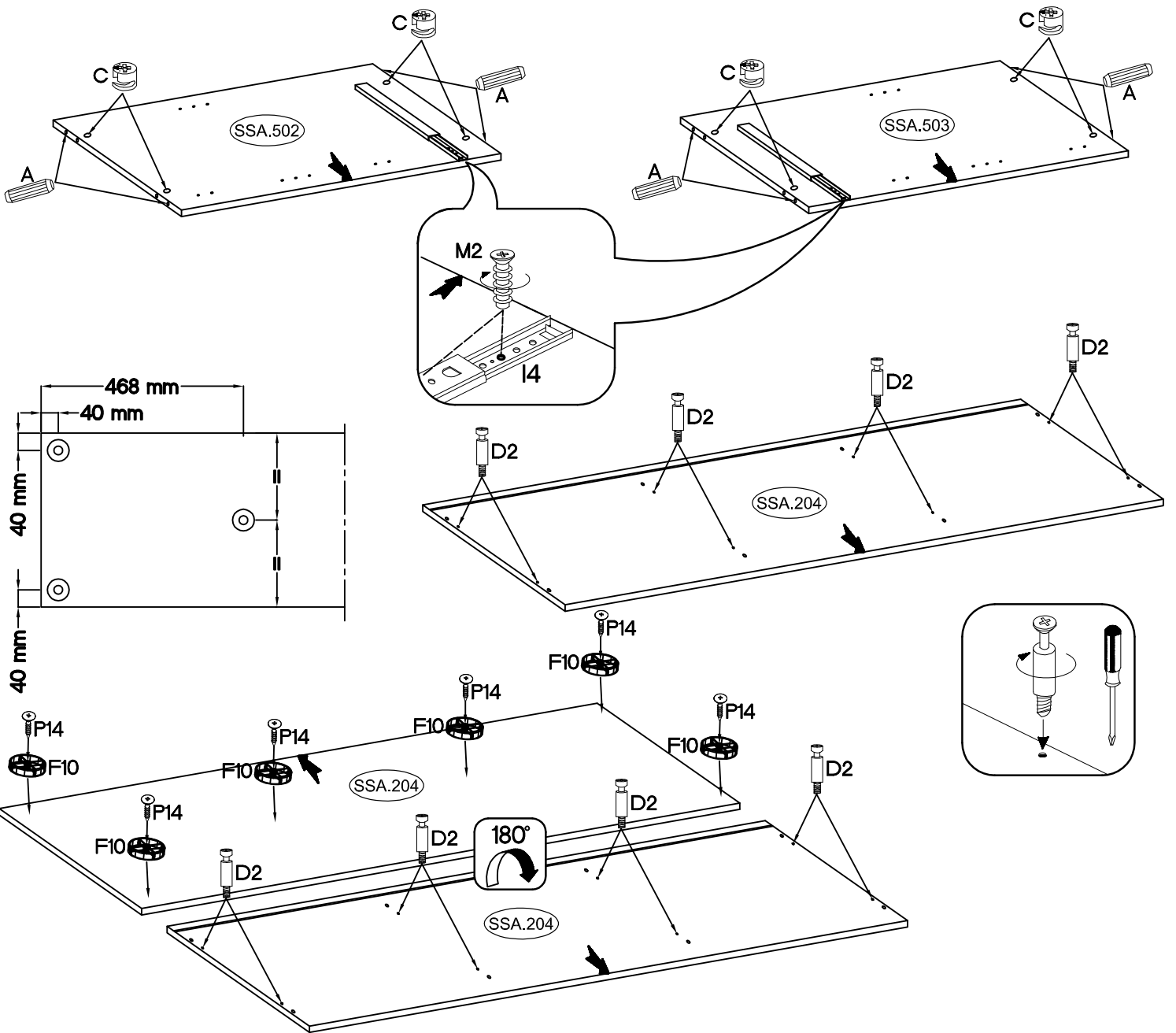
**FARBE**

# 4

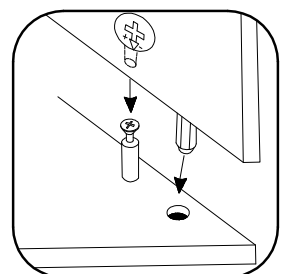
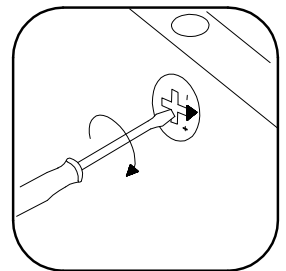
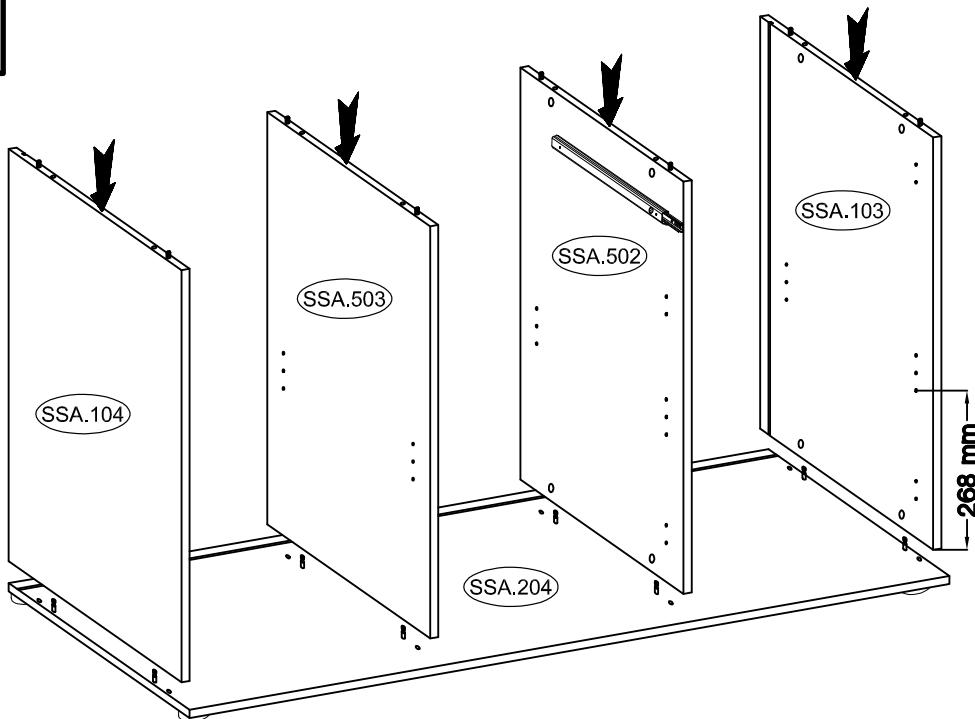
±3.5x13mm	±35/9mm	±7/2mm
P5	G1	J5
4	2	2
		H
		2

# 5

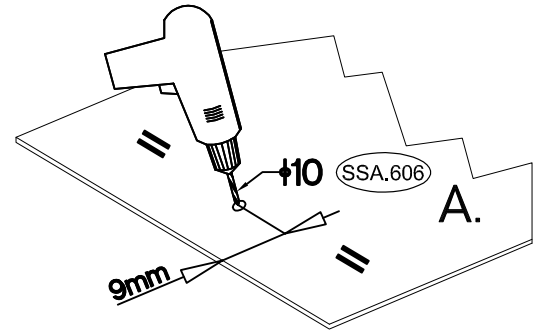
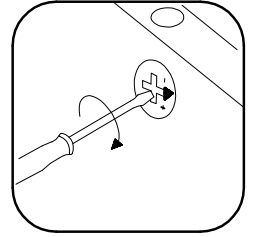
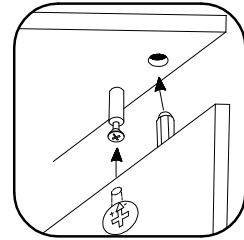
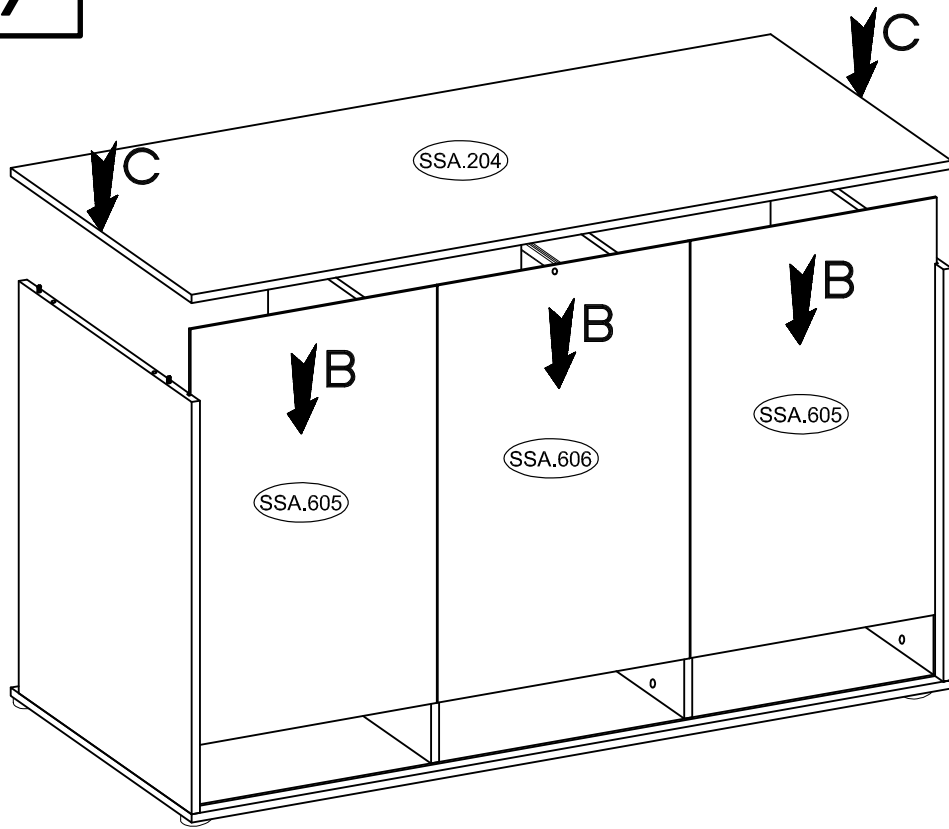
L=20mm	±4.0x25mm	±60/20mm	±6.3x13mm	27/90mm	±15/12mm	±6x30mm
D2	P14	F10	M2	I4	C	A
16	6	6	4	1	16	16



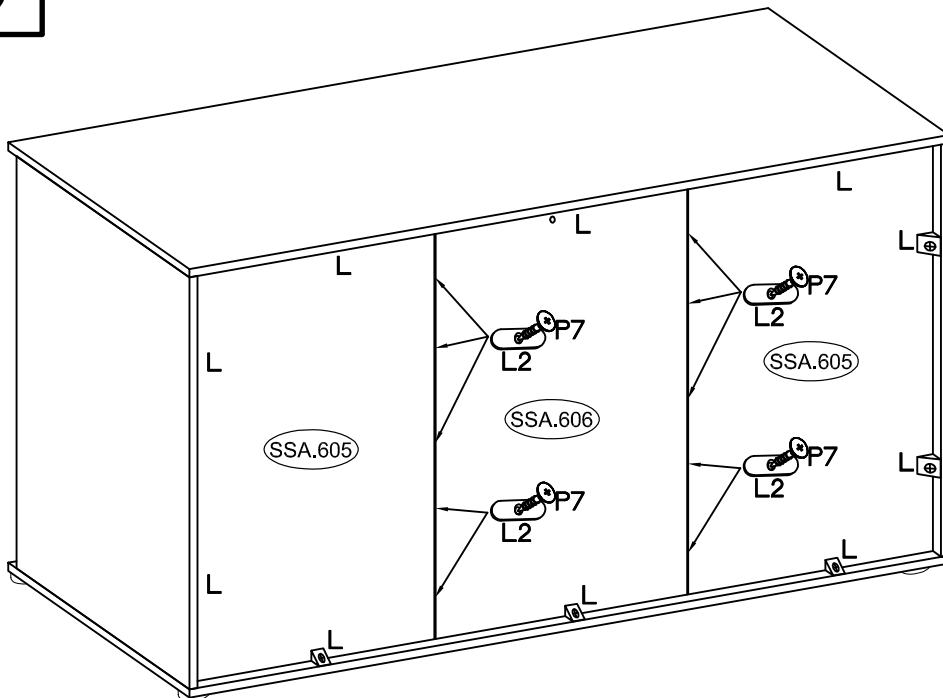
6



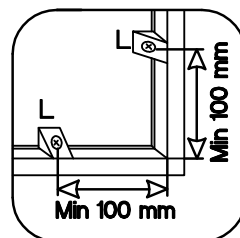
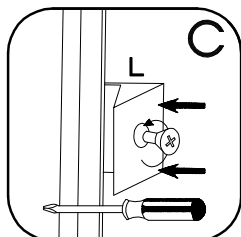
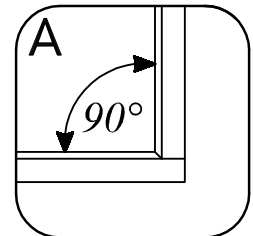
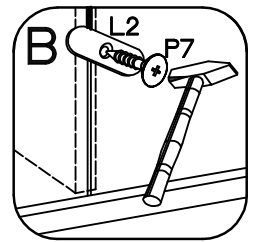
7



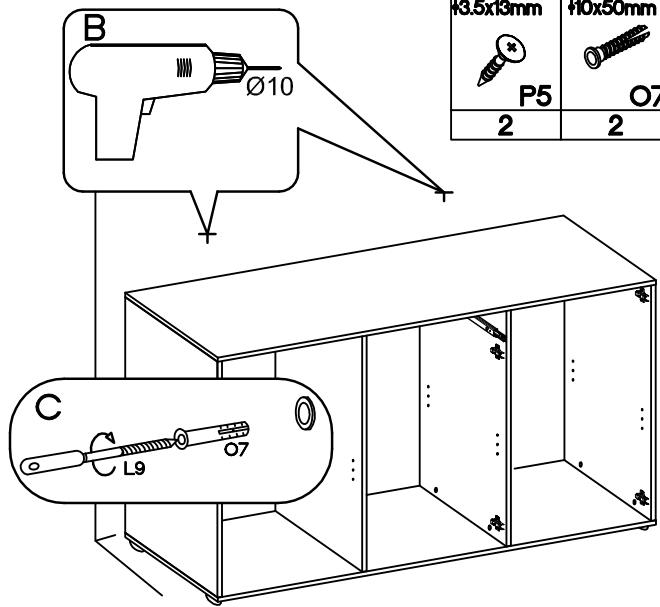
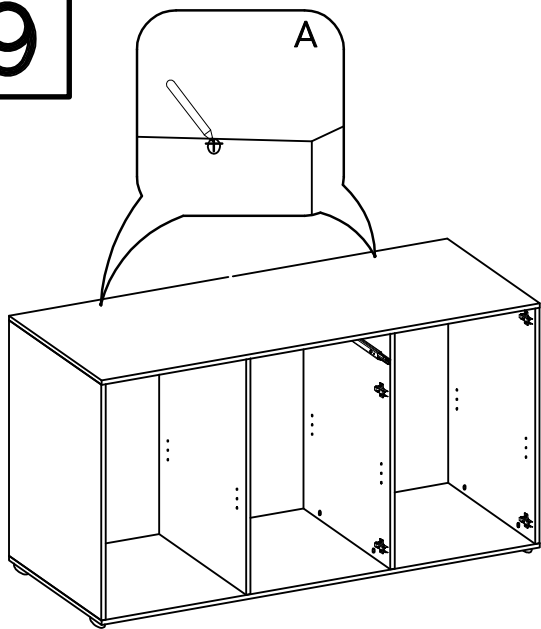
8






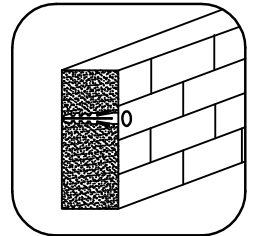
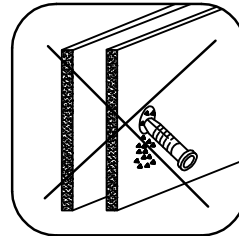
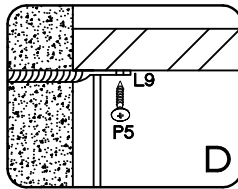
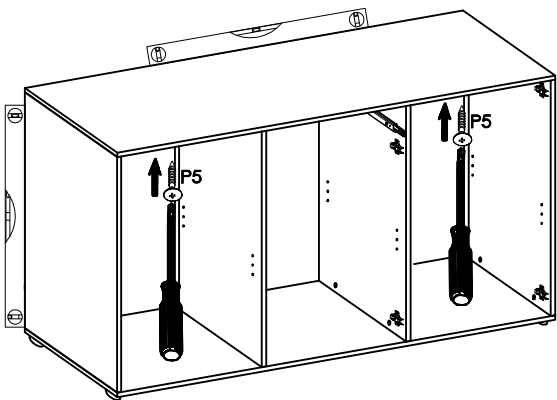
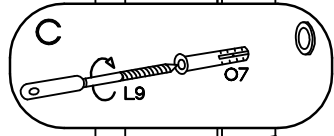
 P7 10	 L2 10	 L 10
--------------	--------------	-------------



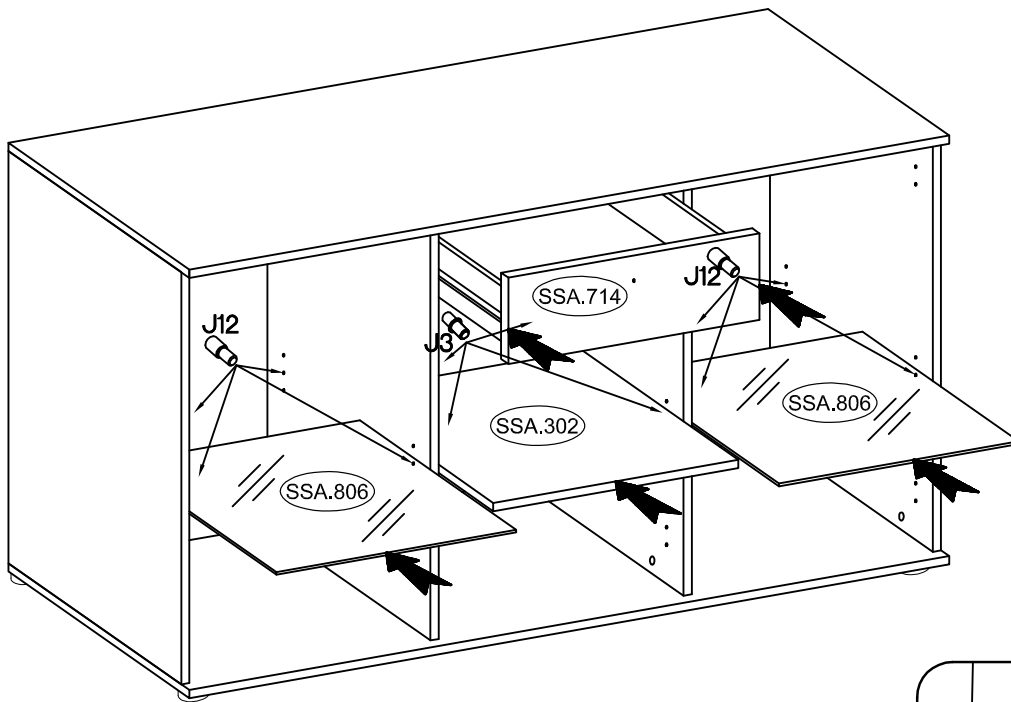
9






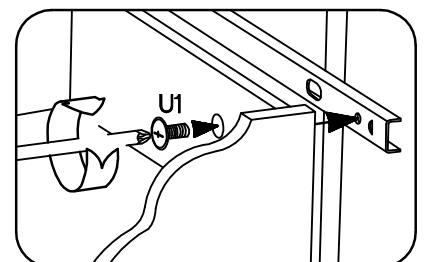
 <b>P5</b> 2	 <b>O7</b> 2	 <b>L9</b> 2
--	--	--



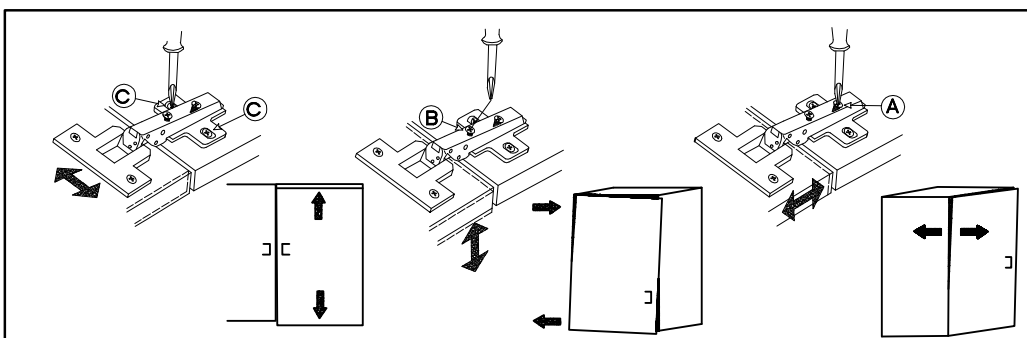
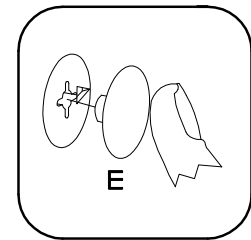
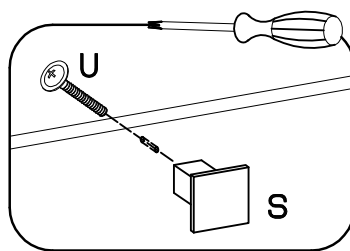
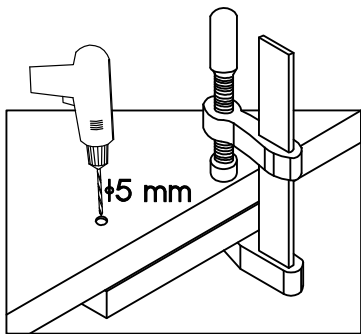
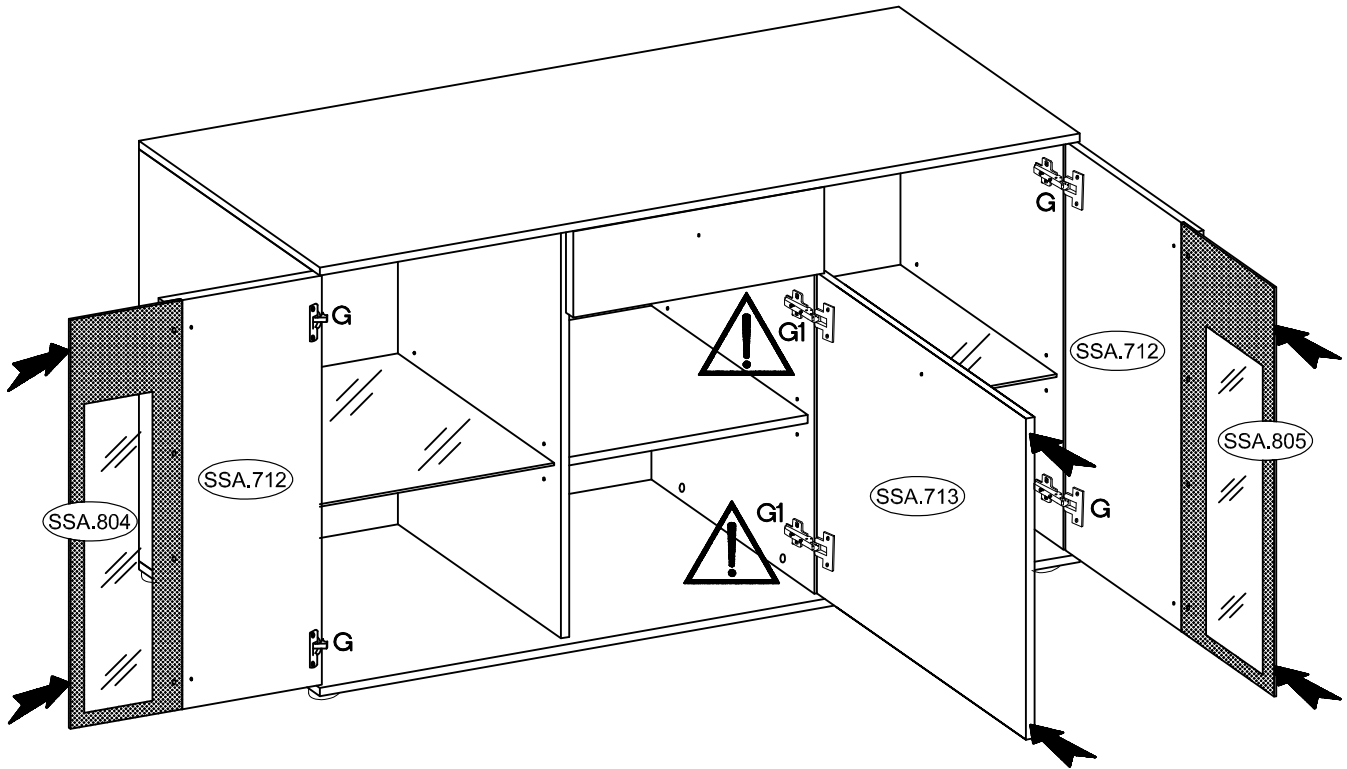
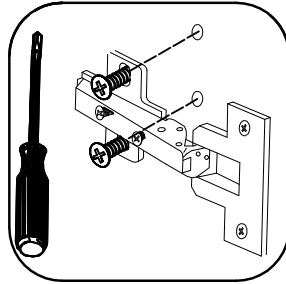
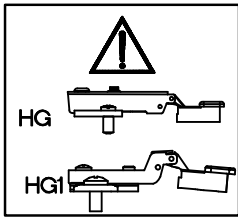
10



 <b>J3</b> 4	 <b>J12</b> 8	 <b>U1</b> 2
---	--	---



30x30mm	M4x22mm	
S	U	E
3	3	12



  
**STOLARZ-LEMPERT**

Stolarz – Lempert Sp. k.  
 63-604 Baranów, Marianka Mroczeńska 3  
[www.stolarz-lempert.pl](http://www.stolarz-lempert.pl)