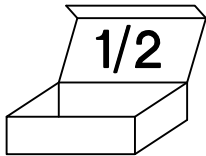
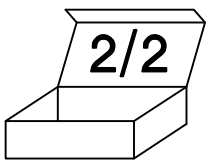


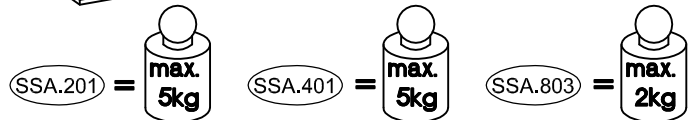
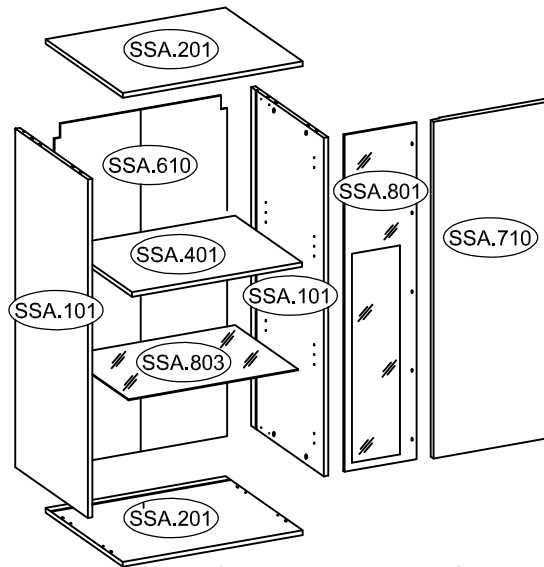
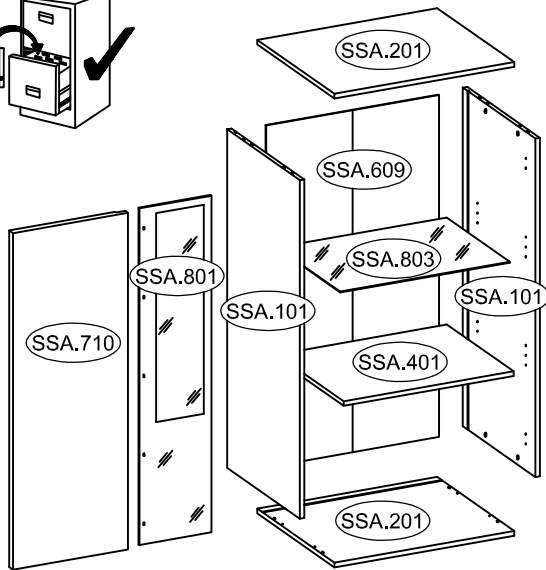
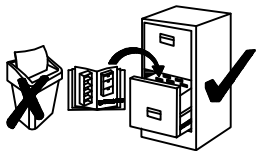
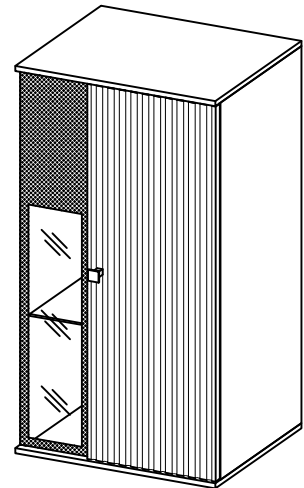
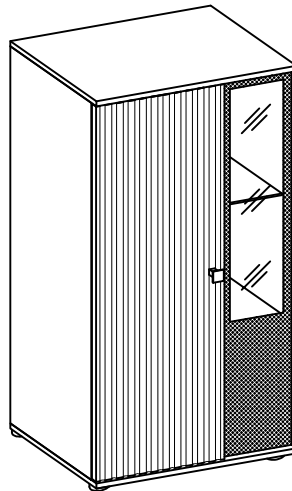
SALIA



ELEMENT	DIMENSIONS
SSA.101 x4	1100x288x15mm
SSA.201 x4	593x306x15mm
SSA.401 x2	561x265x15mm



ELEMENT	DIMENSIONS
SSA.609 x1	1109x570x2,5mm
SSA.610 x1	1109x570x2,5mm
SSA.710 x2	380x1094x16mm
SSA.801 x2	1094x238x4mm
SSA.803 x2	560x250x5mm



1B :

30x30mm	M4x22mm
S	U
2	2

2B :

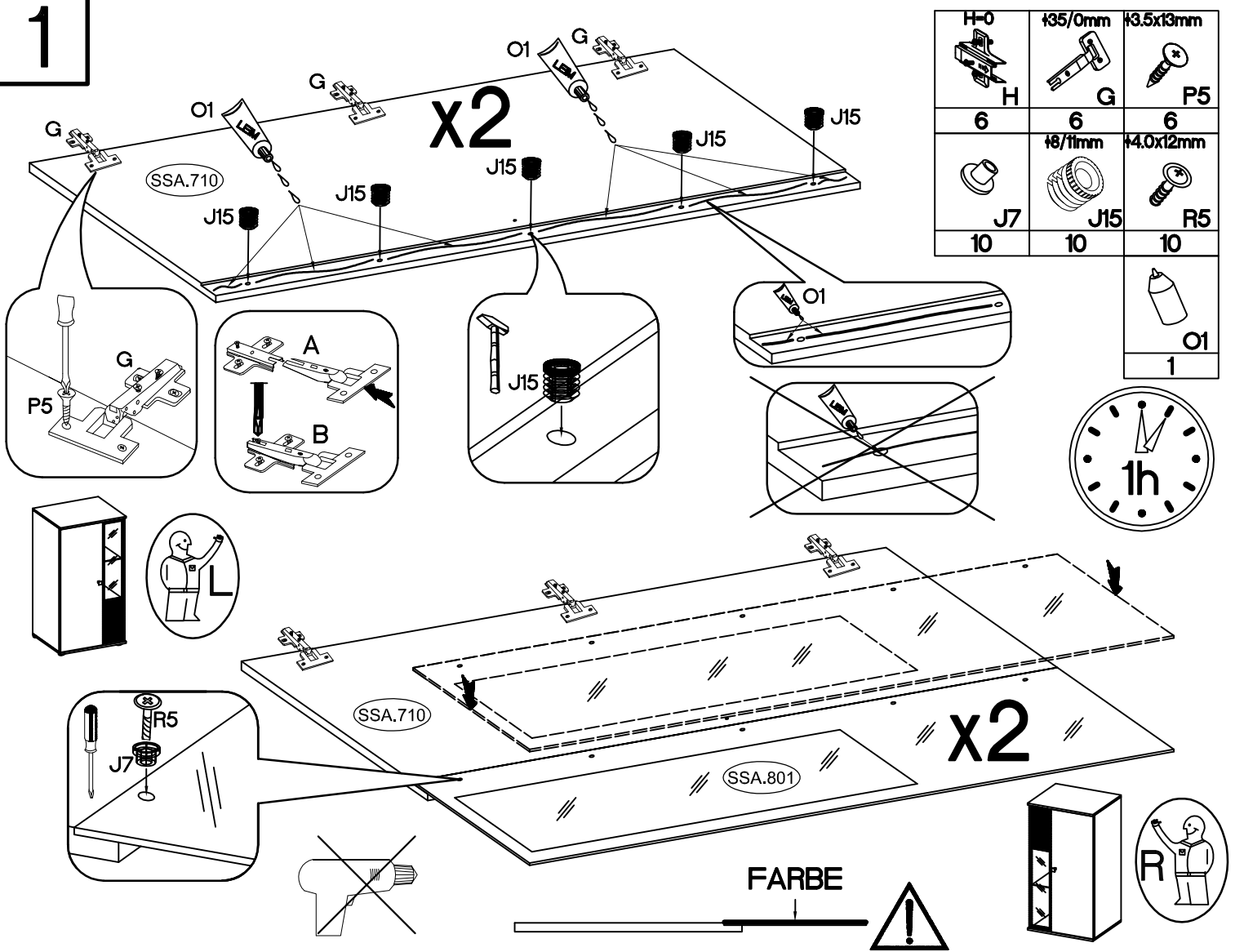
H=0	+35/0mm	+3.5x13mm
H	G	P5
6	6	12

J5
4

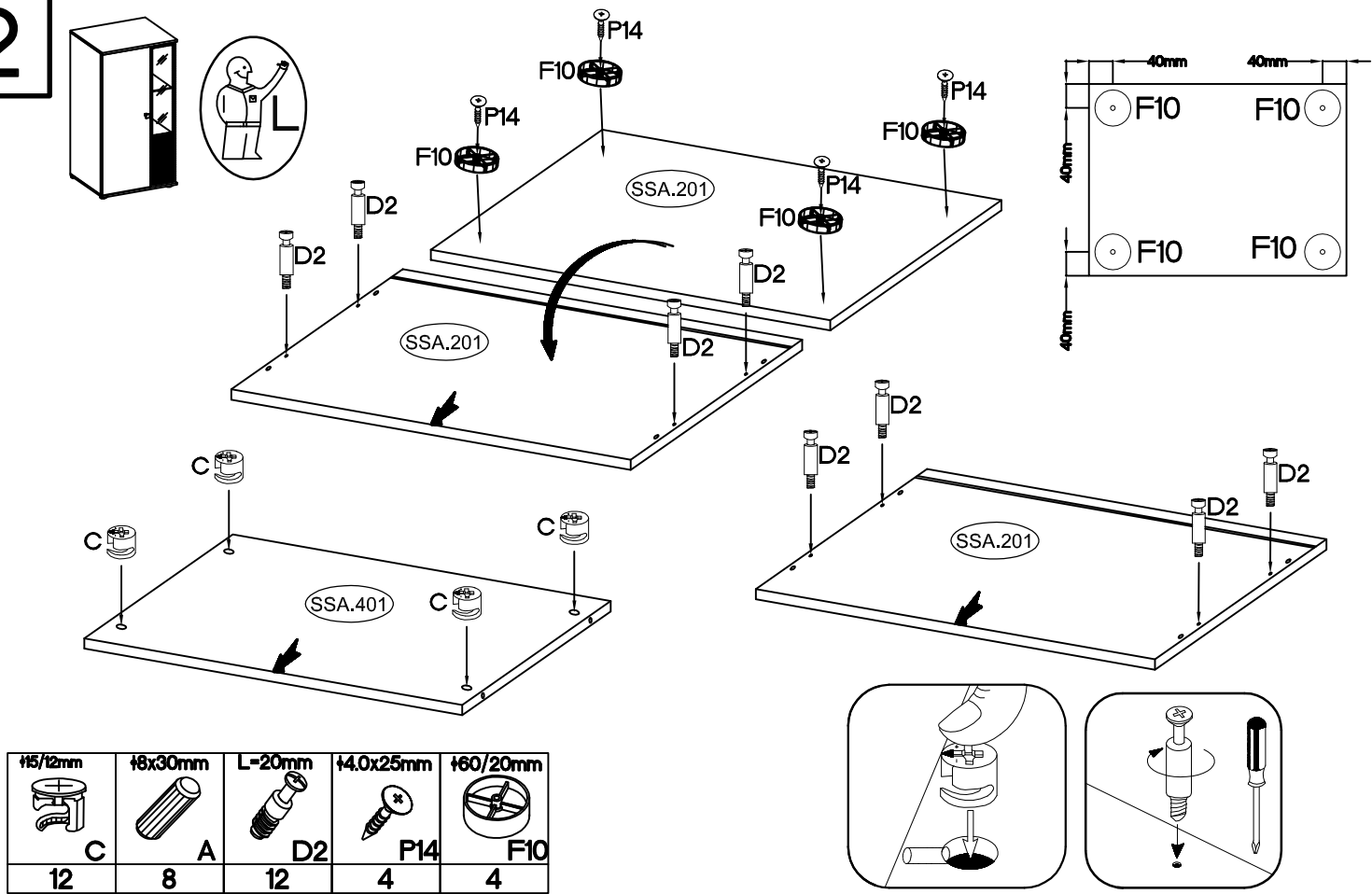
3B :

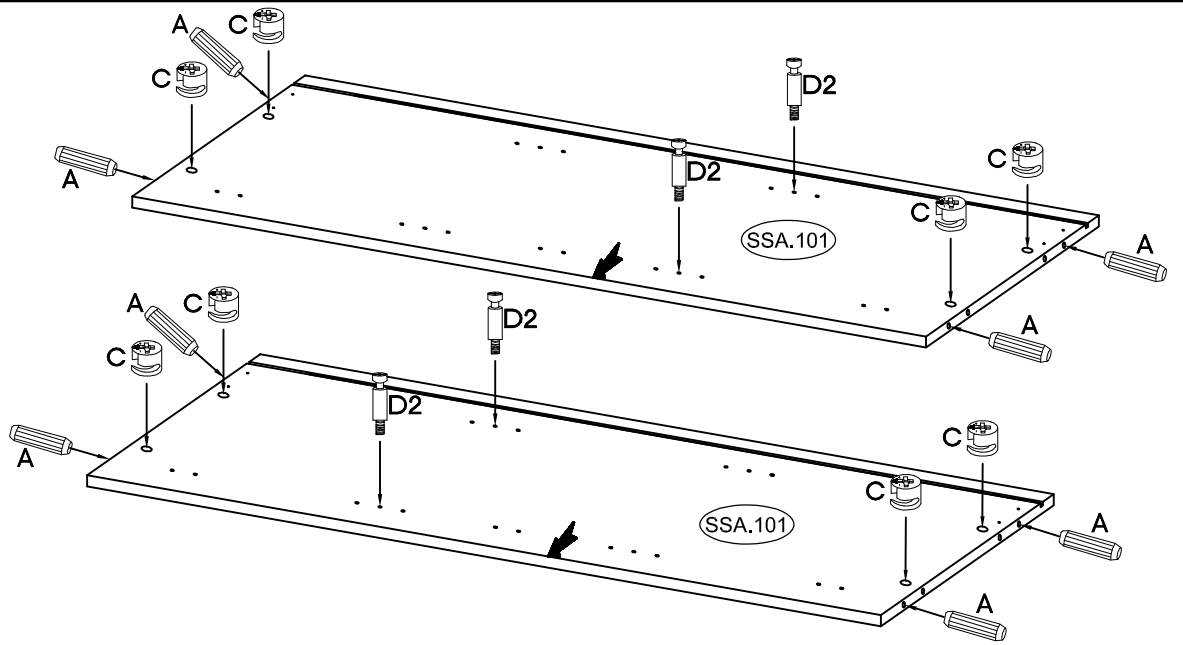
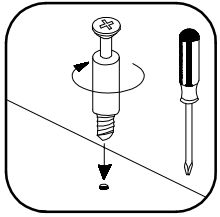
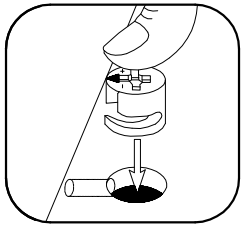
+5/12mm	+8x30mm	L=20mm	+4.0x25mm	+60/20mm		+8/11mm	+4.0x12mm	0,05		
C	A	D2	P14	F10	J7	J15	R5	O11	L	
24	16	24	4	4	10	10	10	1	12	
+3.0x20mm		+5/16mm		+4.0x30mm	+3.5x13mm		+10x50mm	+5.0x60mm		
P7	L2	E	J12	K	P8	P5	L9	O7	P12	K16
8	8	24	8	2	4	1	1	5	4	2

1

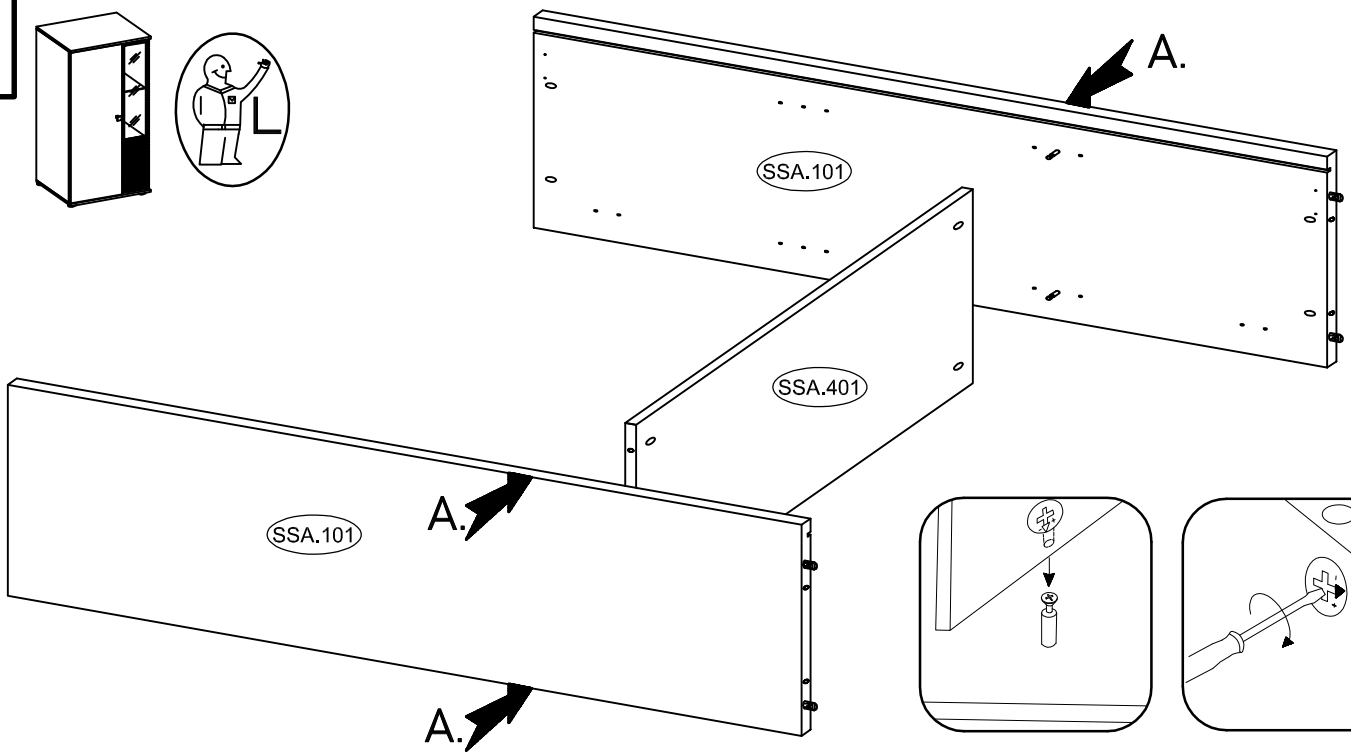
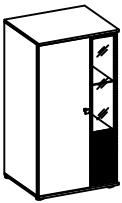


2

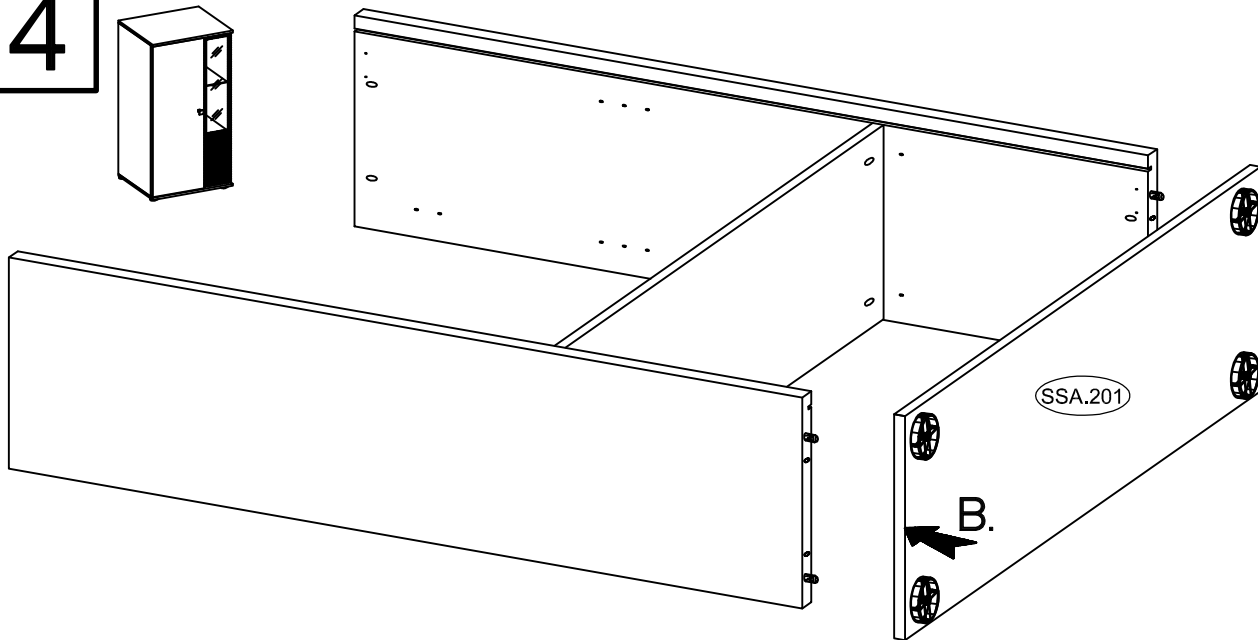
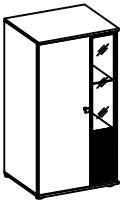




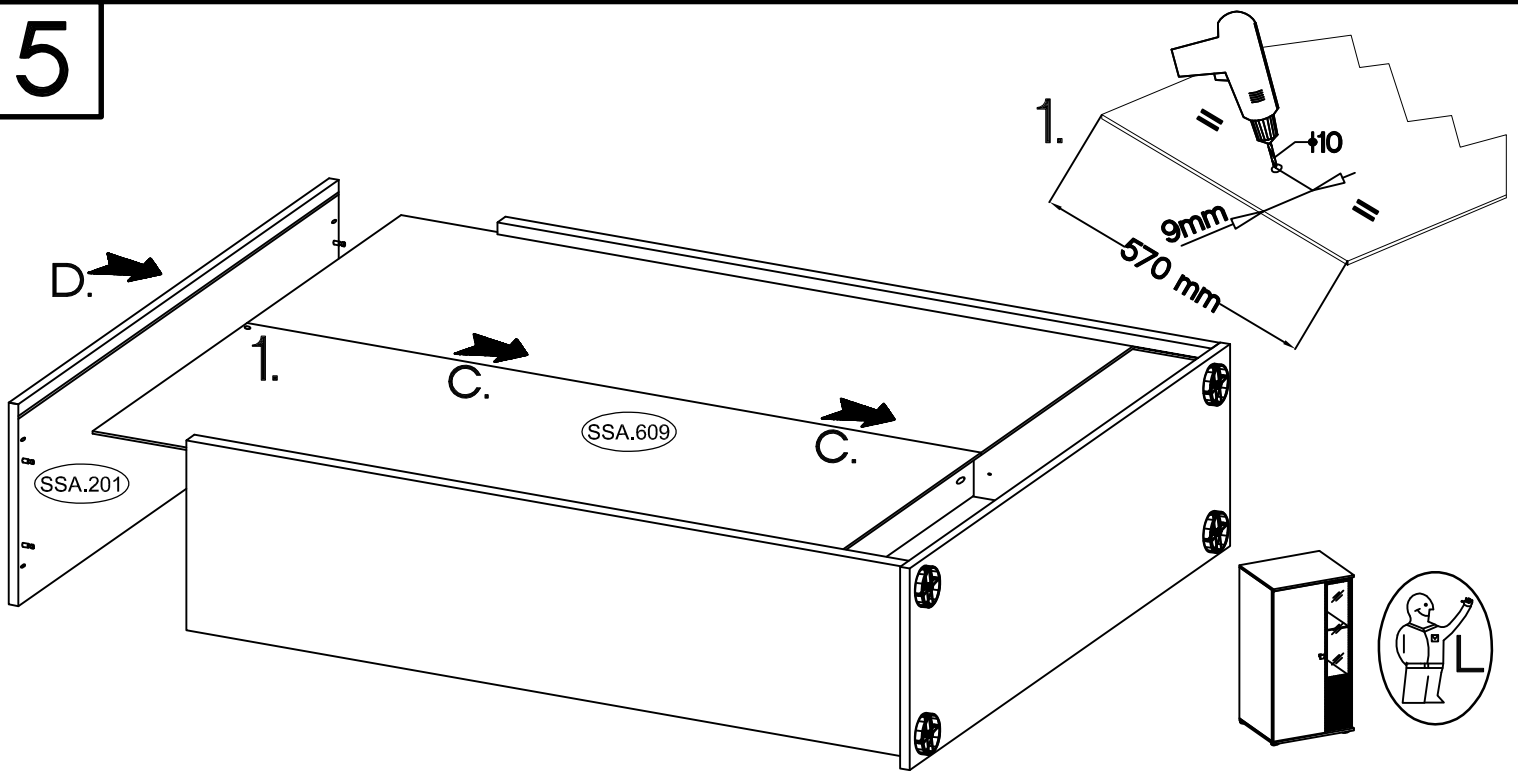
3



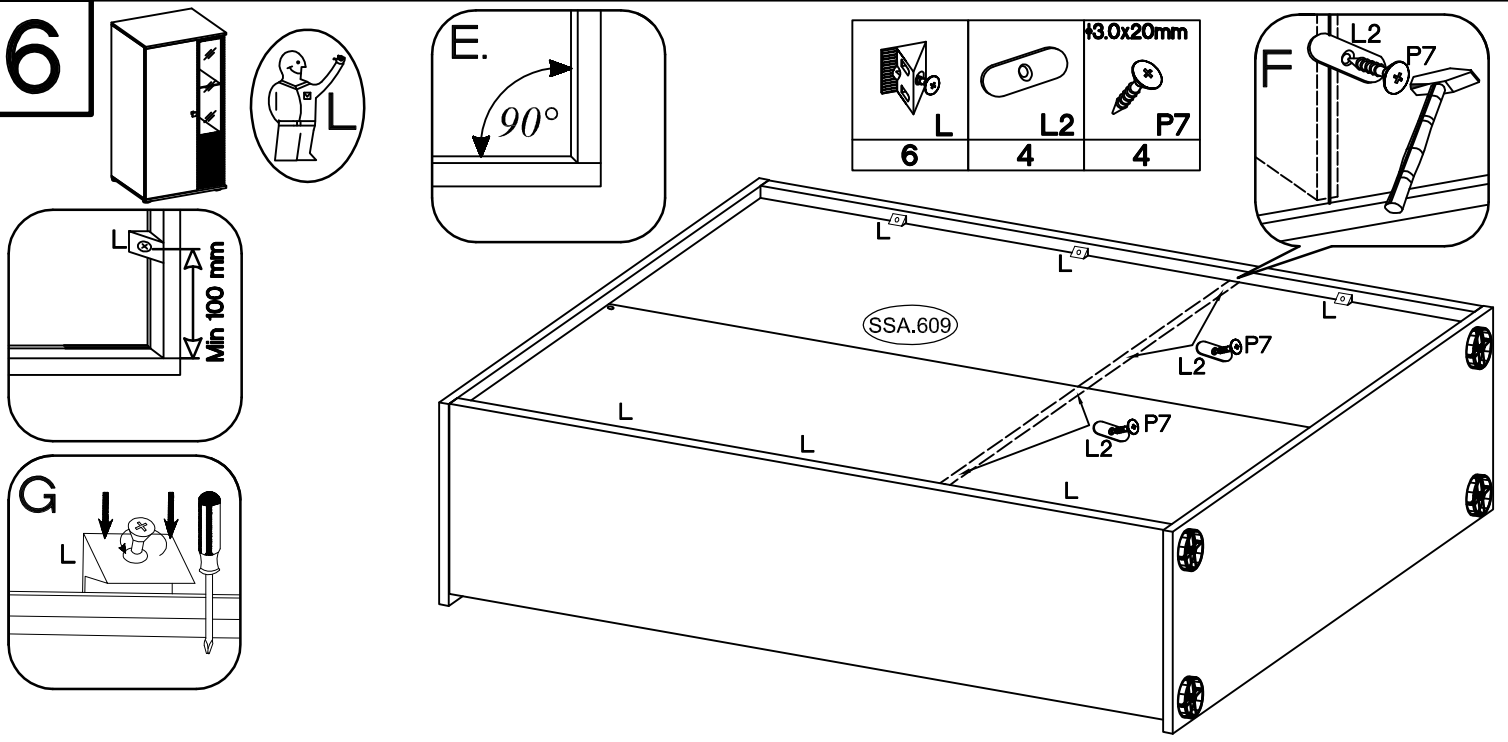
4



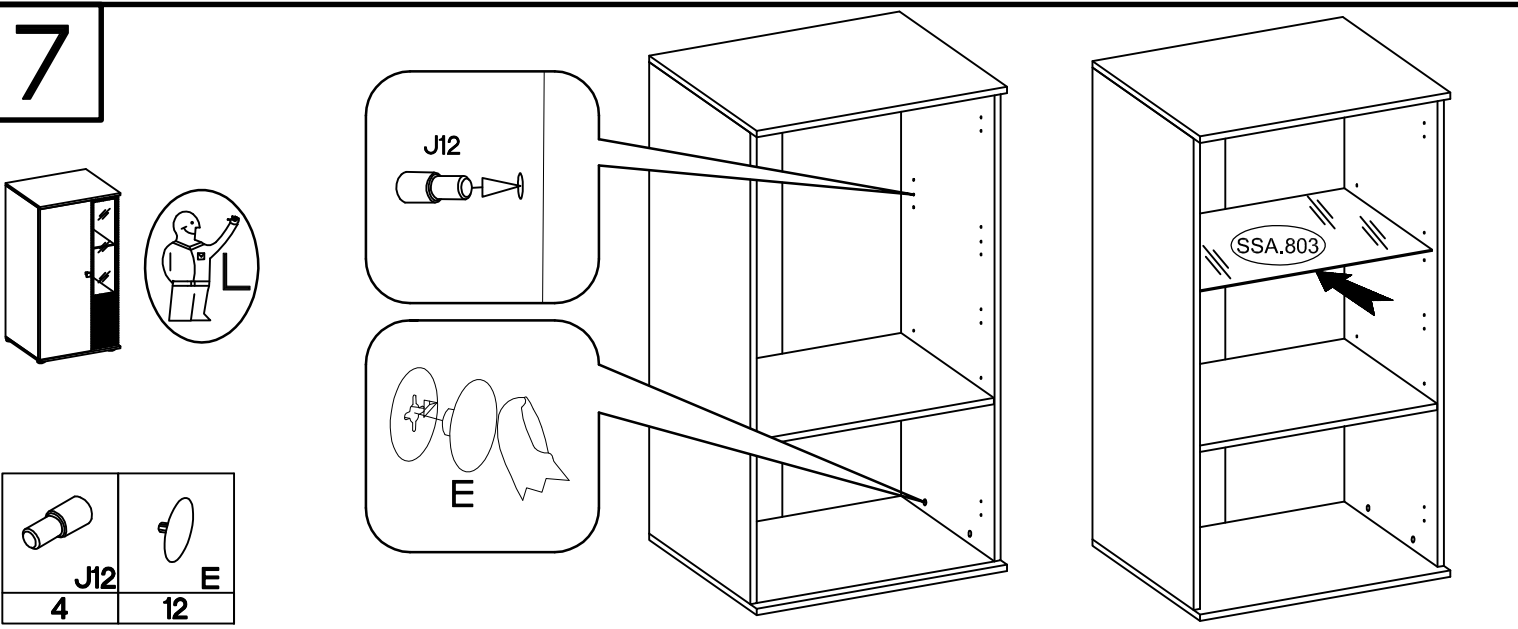
5



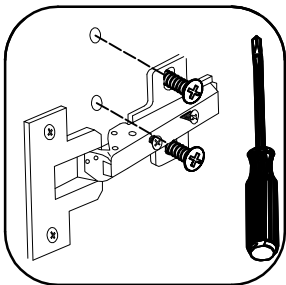
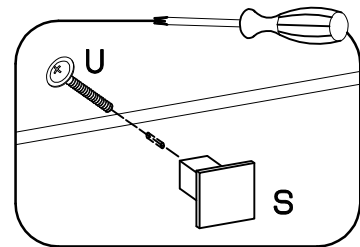
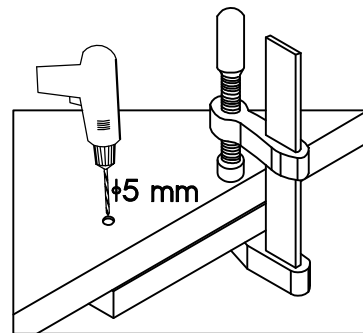
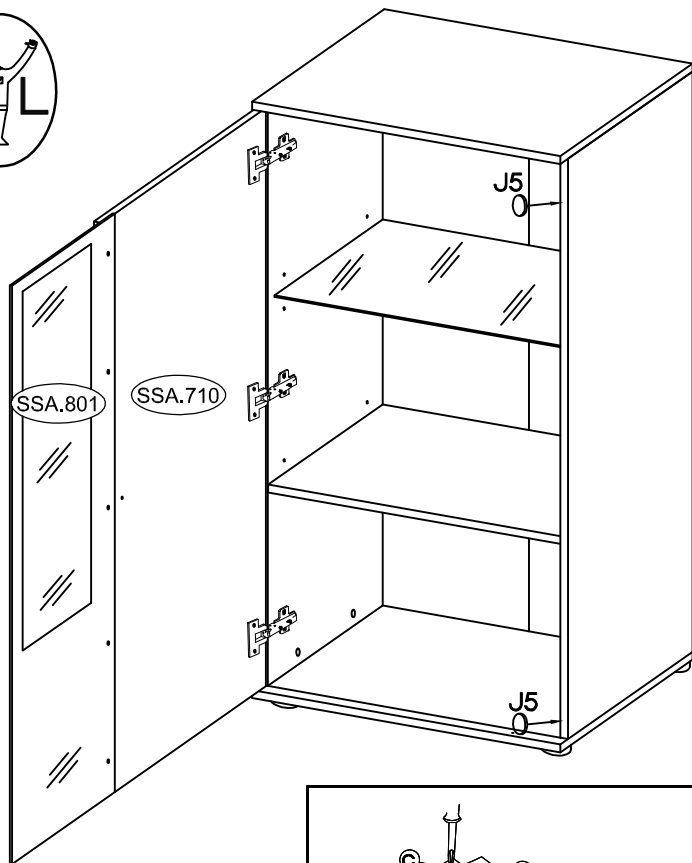
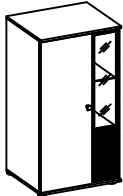
6



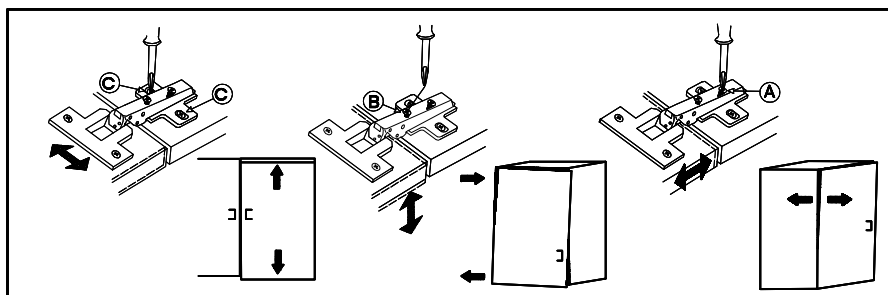
7



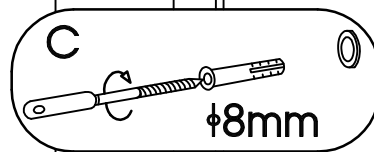
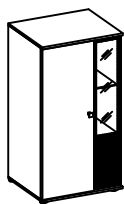
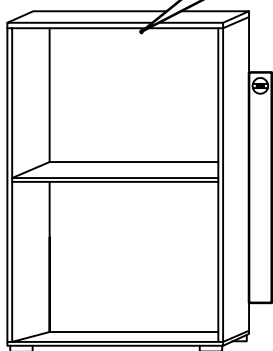
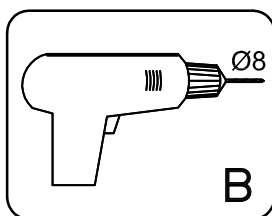
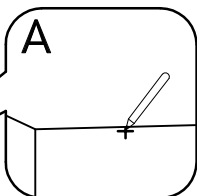
8



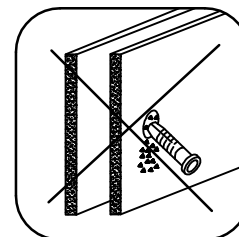
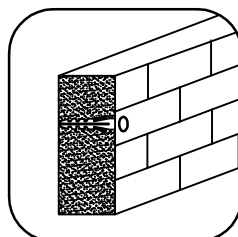
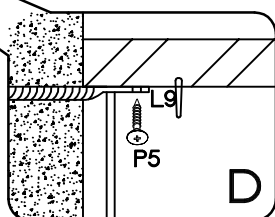
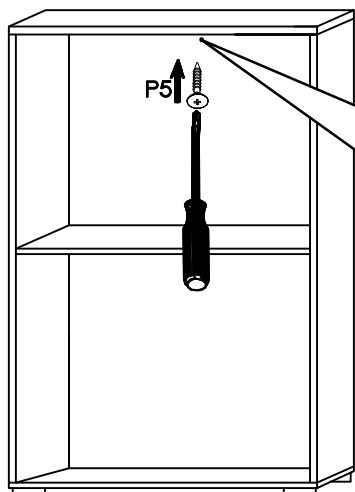
	M4x22mm	30x30mm
J5	U	S
2	1	1



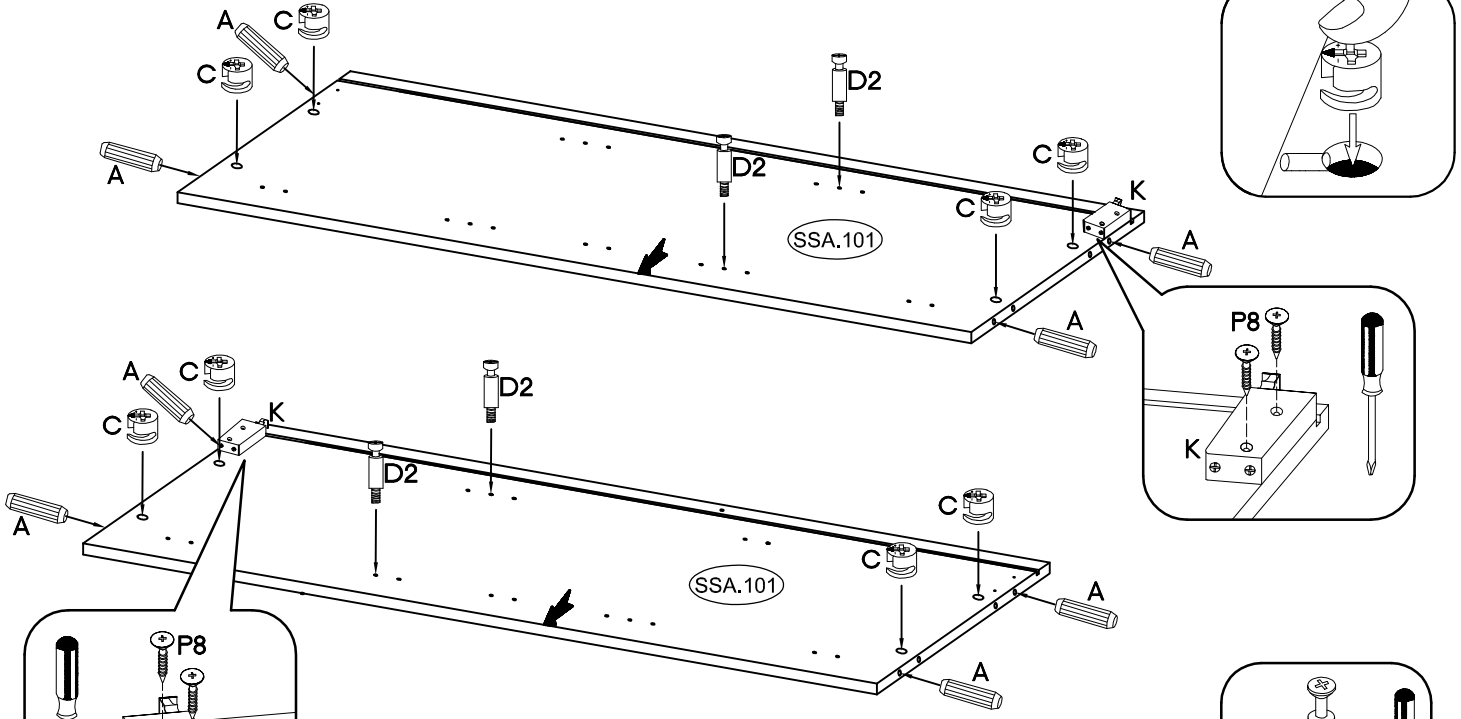
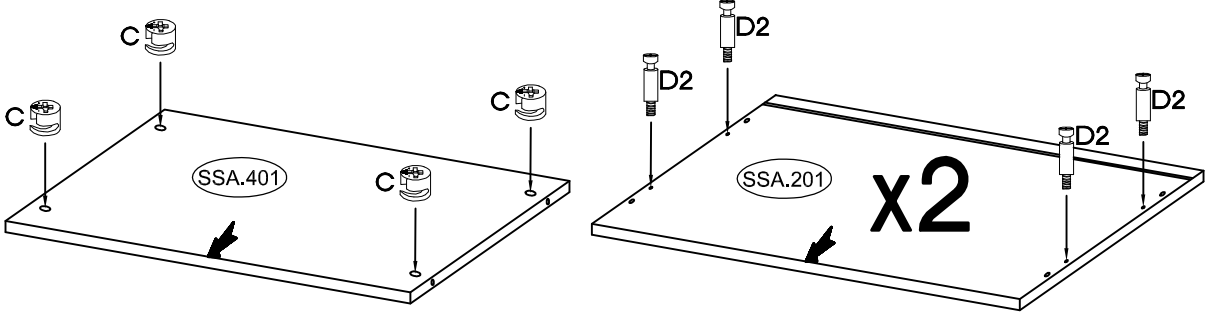
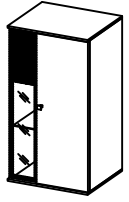
9



	3.5x13mm	10x50mm
L9	P5	O7
1	1	1

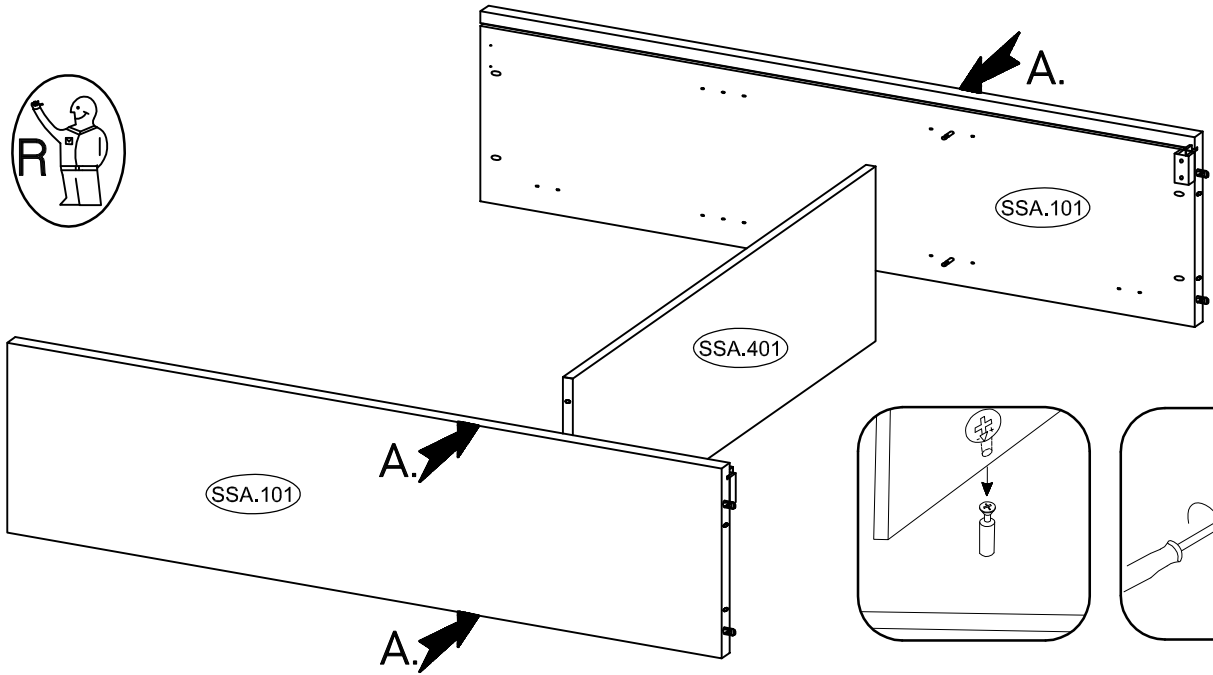
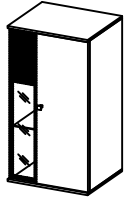


10

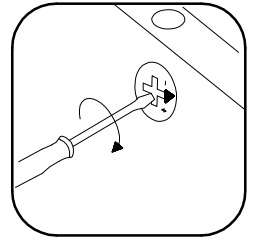
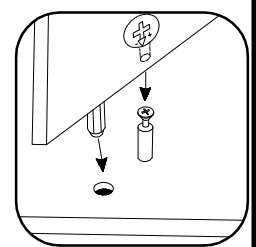
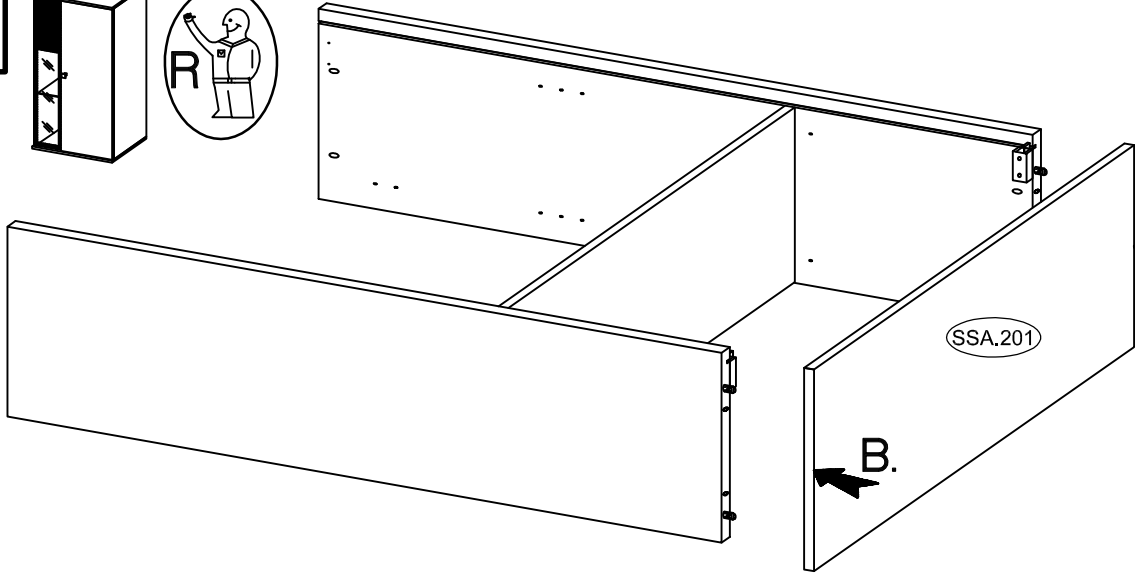
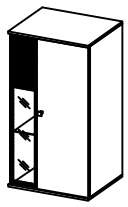


$\varnothing 15/12\text{mm}$	$\varnothing 8 \times 30\text{mm}$	L-20mm		$\varnothing 4.0 \times 30\text{mm}$
12	8	12	2	4

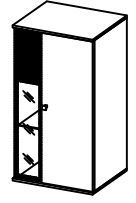
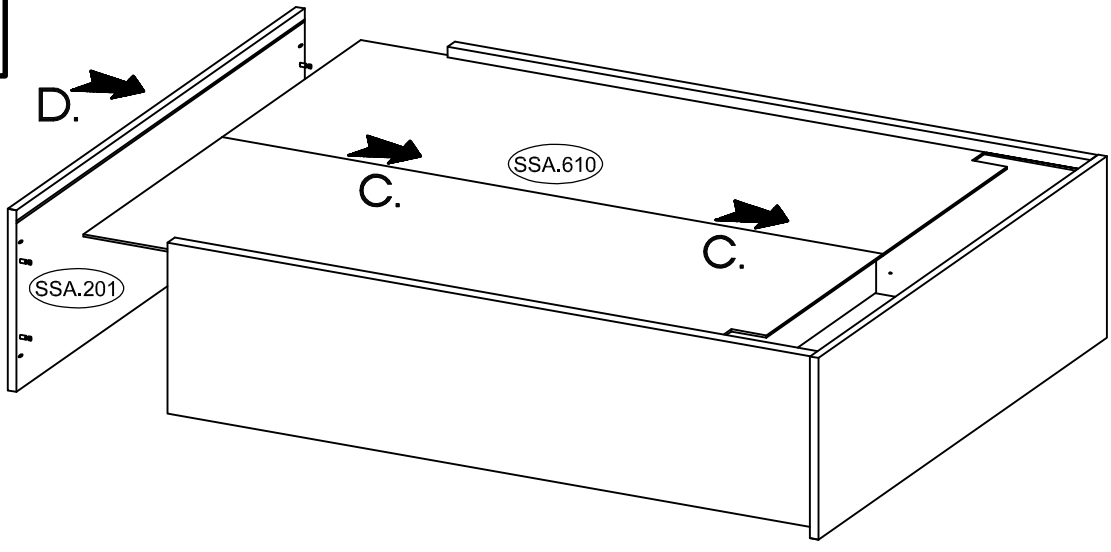
11



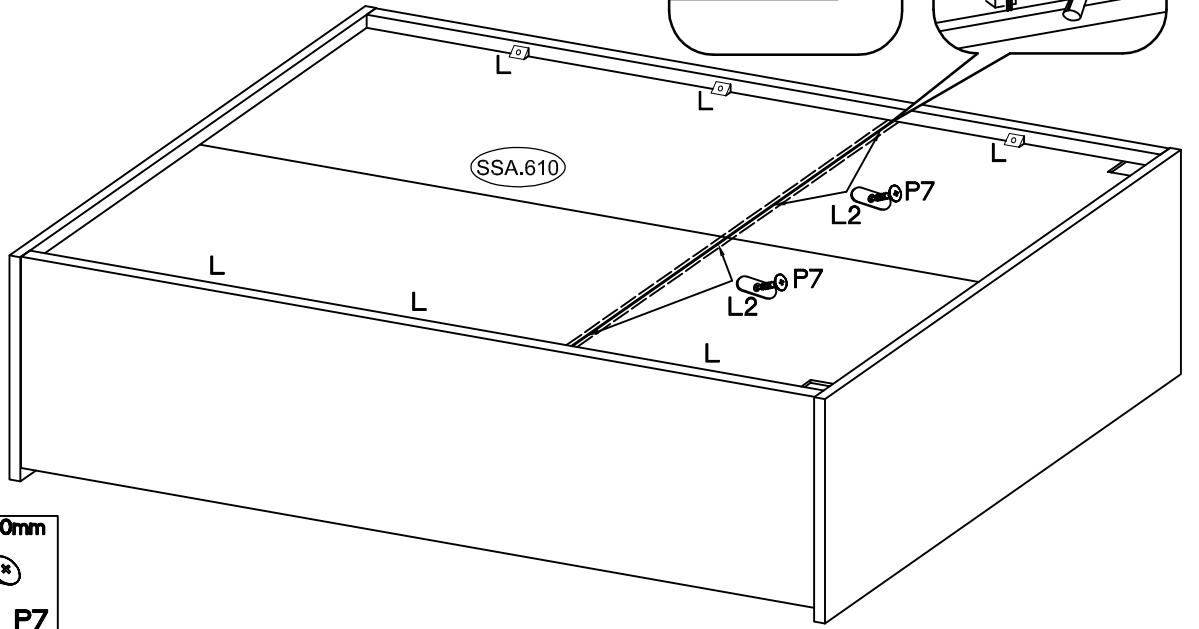
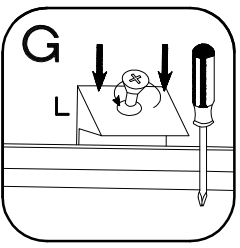
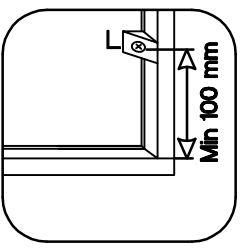
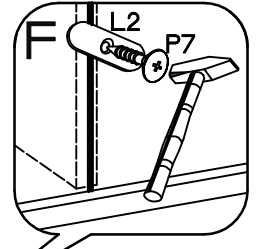
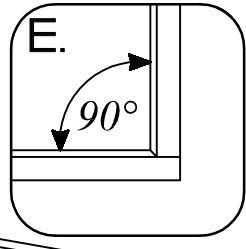
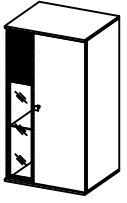
12



13



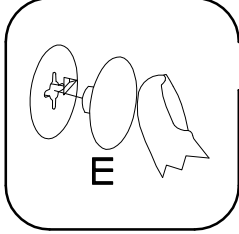
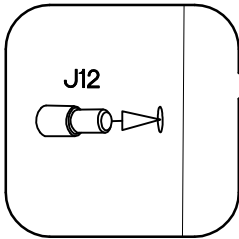
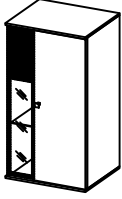
14





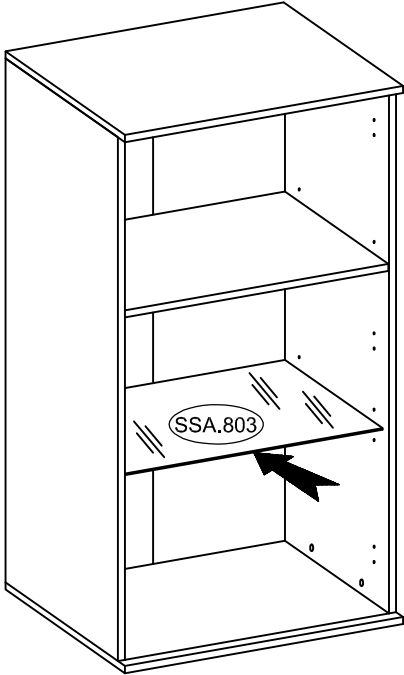
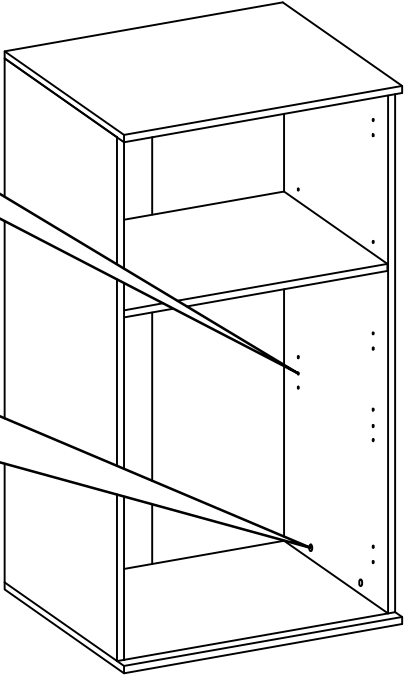
L	L2	P7
6	4	4

†3.0x20mm

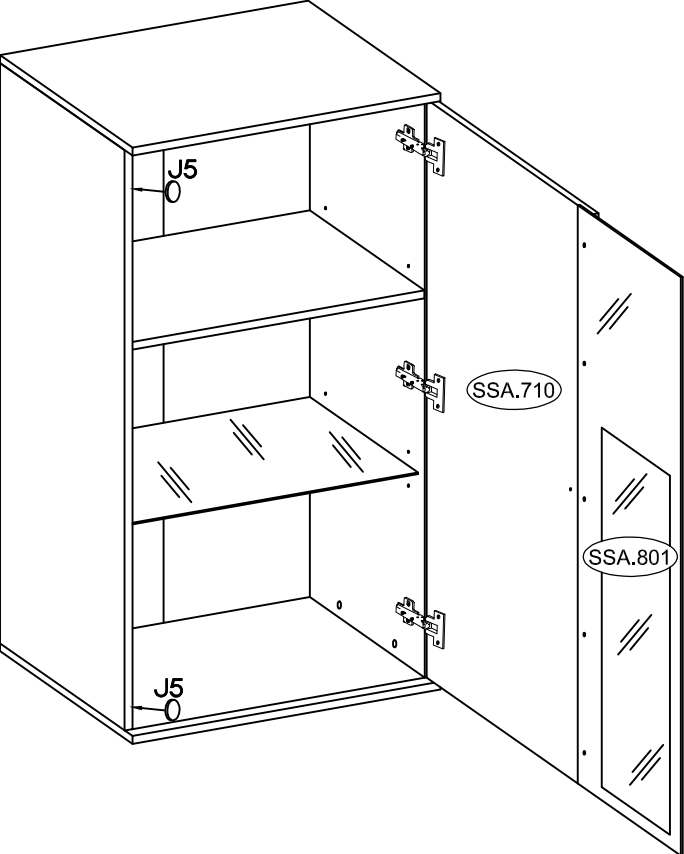
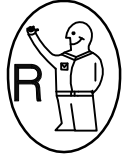
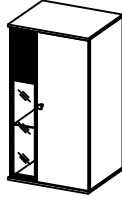
15

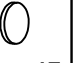




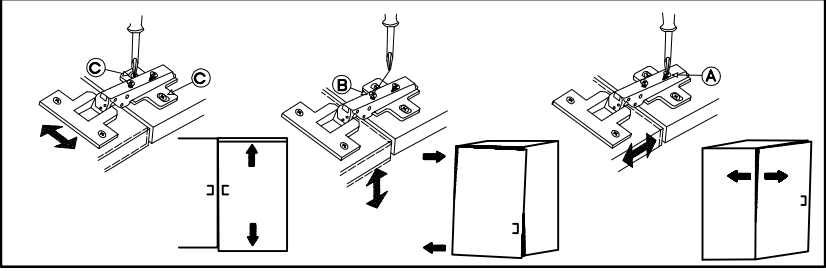
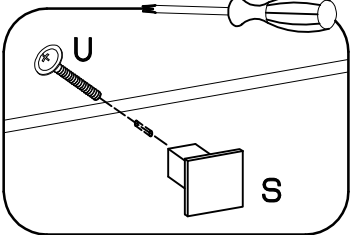
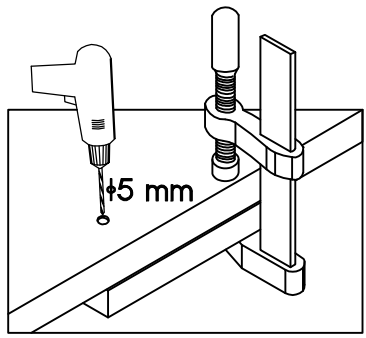
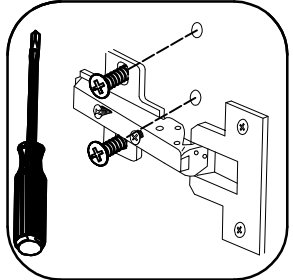
	
J12	E
4	12






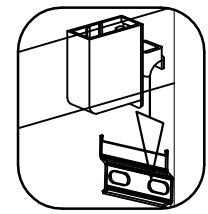
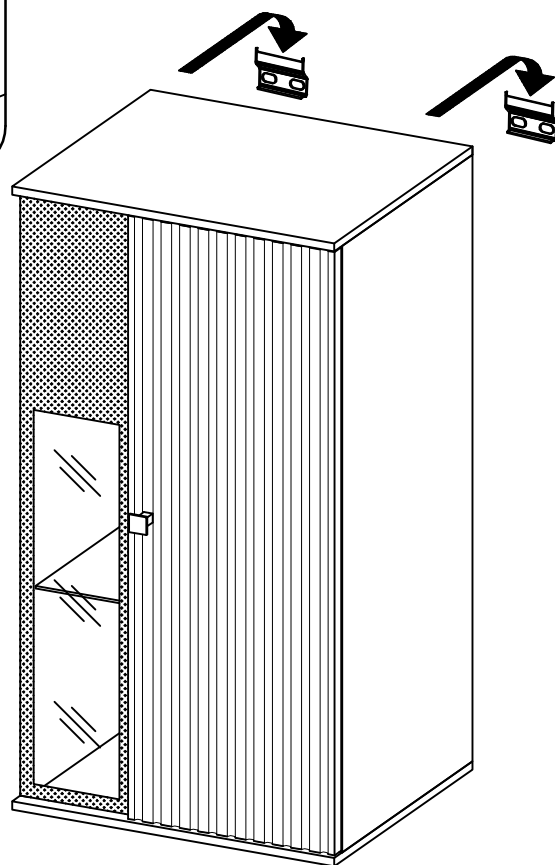
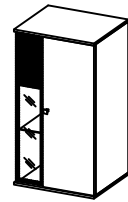
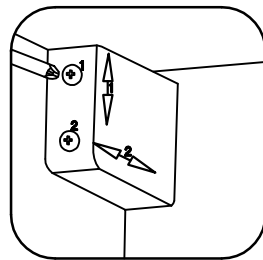
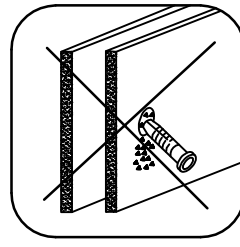
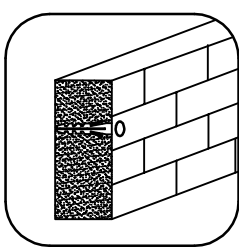
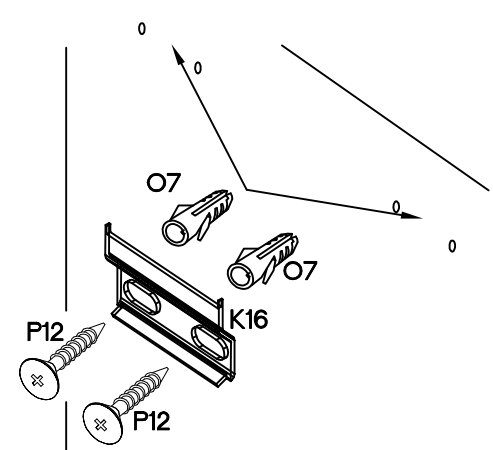
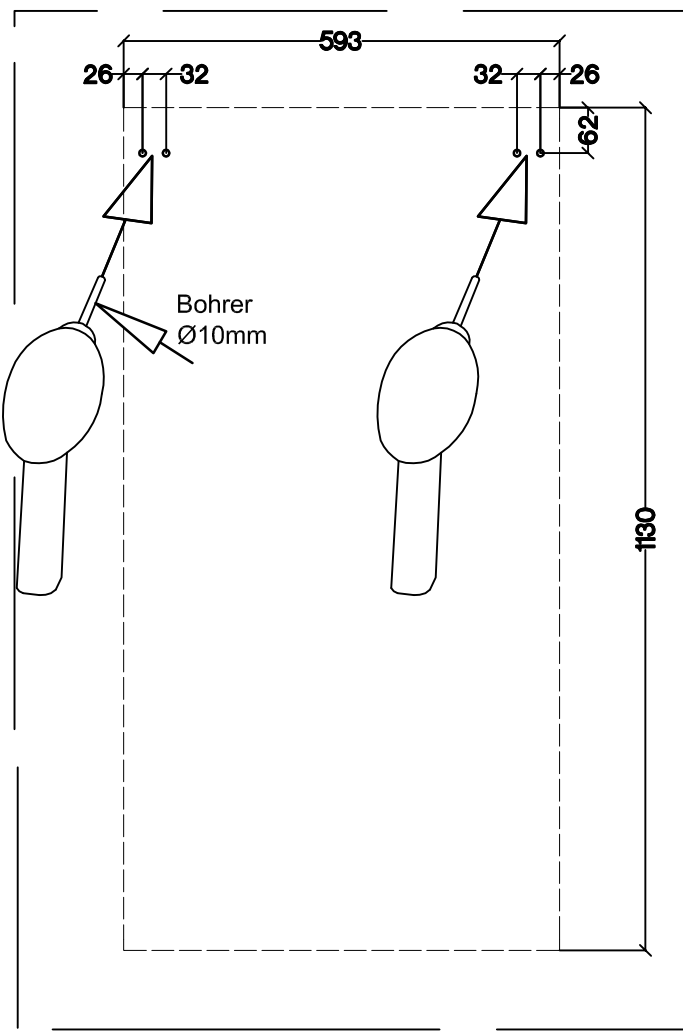
16

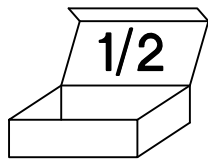
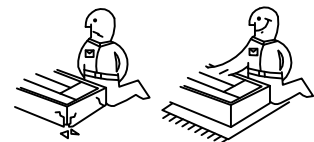
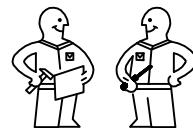
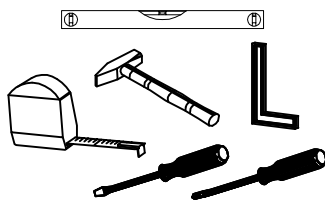


		
J5	U	S
2	1	1

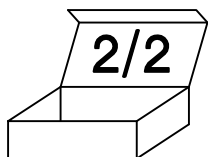


 #5.0x60mm P12 4	 #10x50mm O7 4	 K16 2
--	--	---

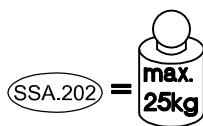
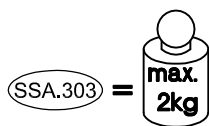
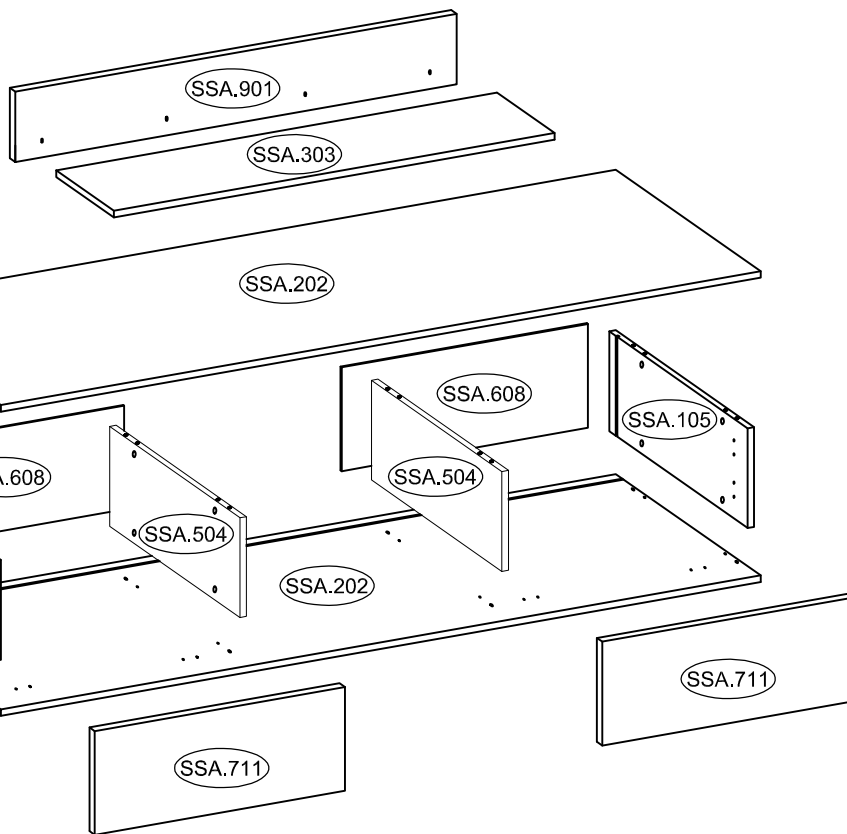
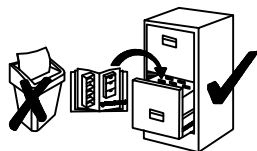
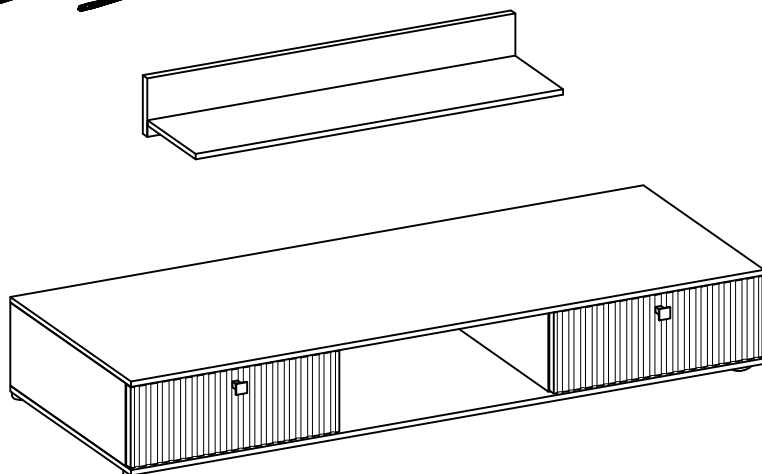




ELEMENT	DIMENSIONS
SSA.105 x2	252x384x15mm
SSA.202 x2	1755x402x15mm
SSA.504 x2	252x362x15mm
SSA.303 x1	1018x155x15mm
SSA.901 x1	1020x160x15mm



ELEMENT	DIMENSIONS
SSA.608 x2	569x261x2,5mm
SSA.711 x2	578x246x16mm



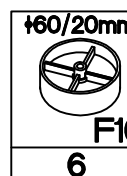
30x30mm	M4x22mm
S	U
2	2



H=0	+35/16mm	+3.5x13mm
H	G2	P5
4	4	8





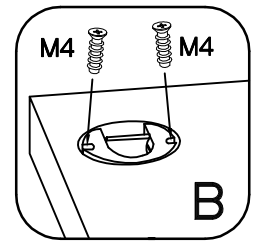
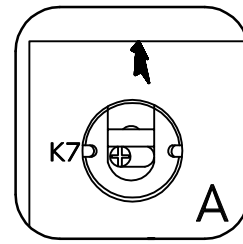
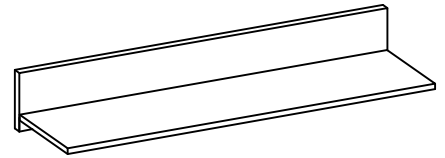
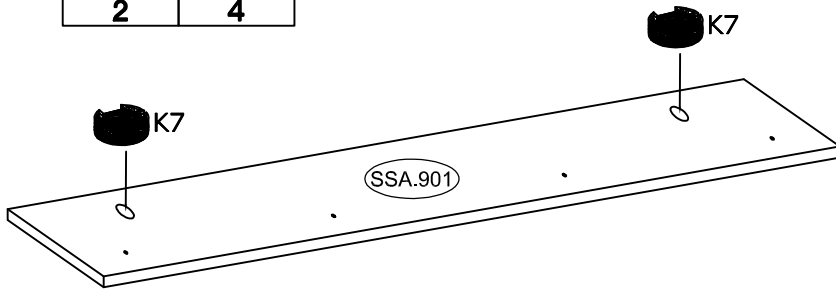
	+6,3x9mm		6,4 x 50mm	5/45mm	+10x50mm	+5/12mm	+8x30mm	L=20mm	+4,0x25mm
K7	M4	O	B	O3	O7	C	A	D2	P14
2	4	1	4	2	2	16	16	16	6





+60/20mm	+3.5x13mm			+3,0x16mm	
F10	P5	L	E	P11	J5
6	6	2	4	16	10

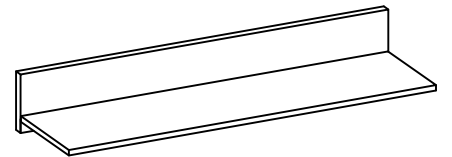
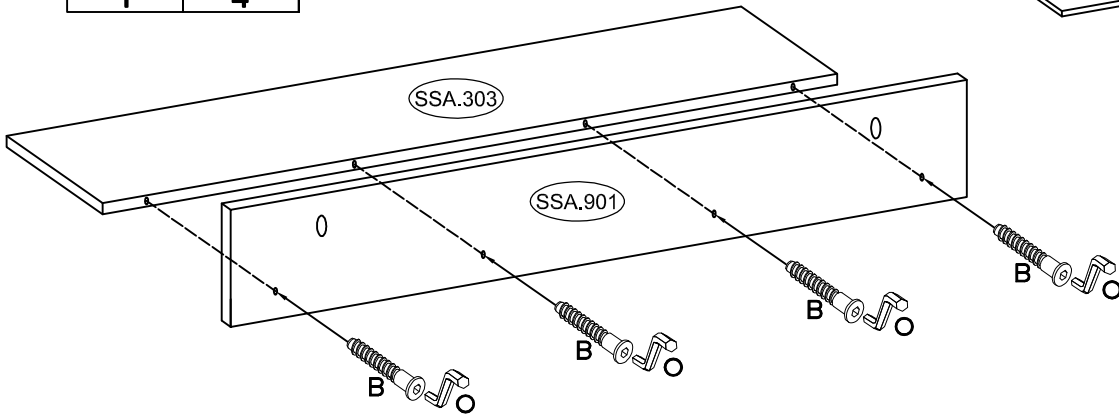
1

 K7 2	 M4 4
---	---

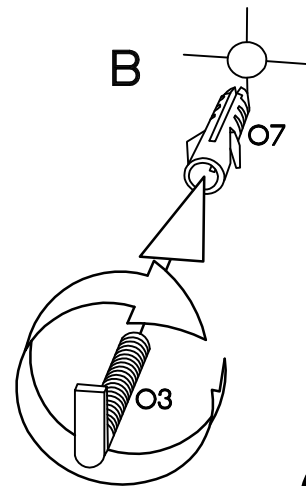
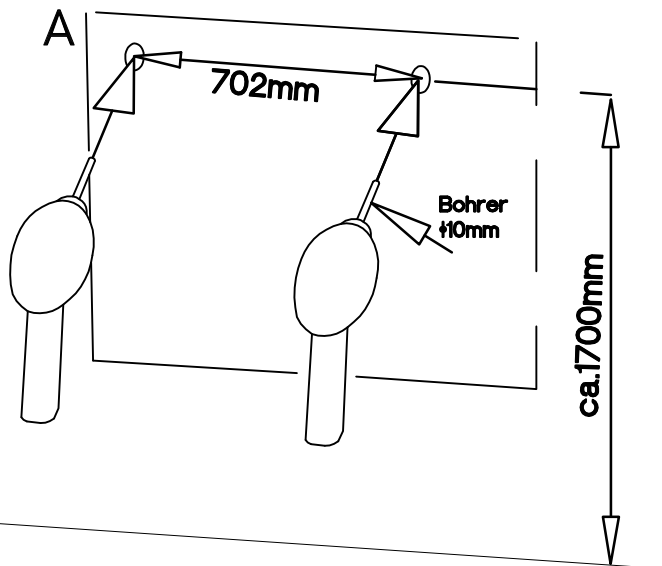




2

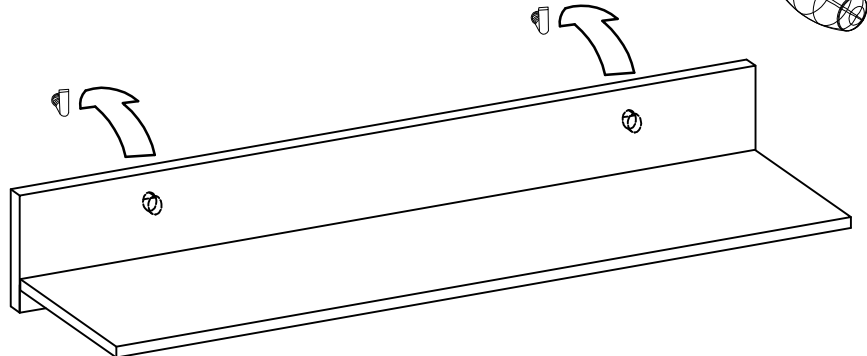
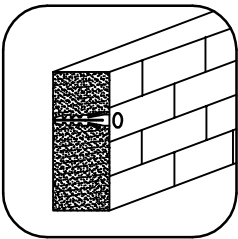
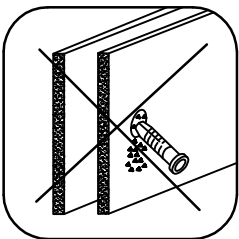
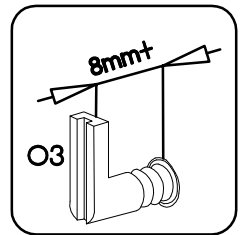
 1	 6,4 x 50mm B 4
--	---






3





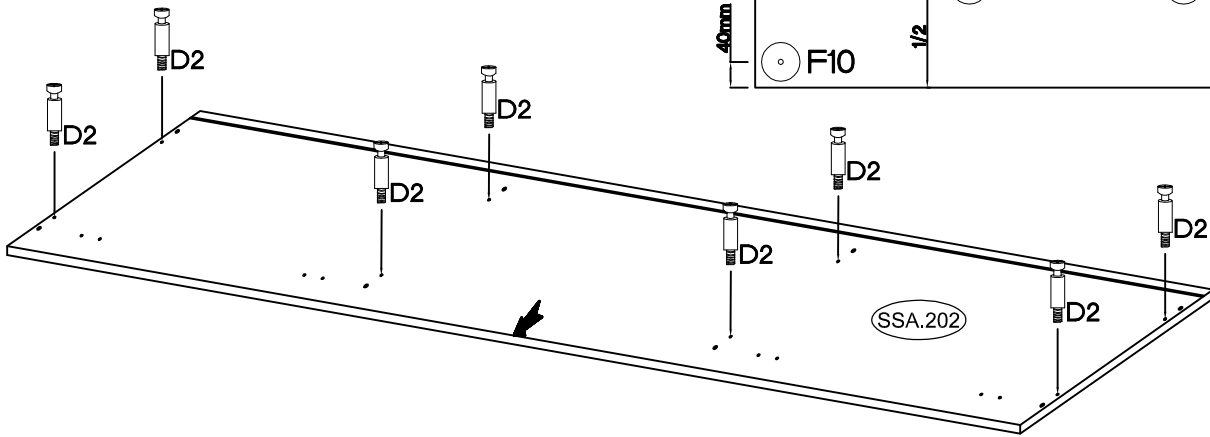
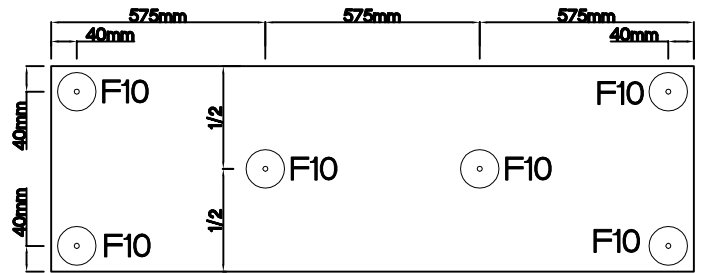
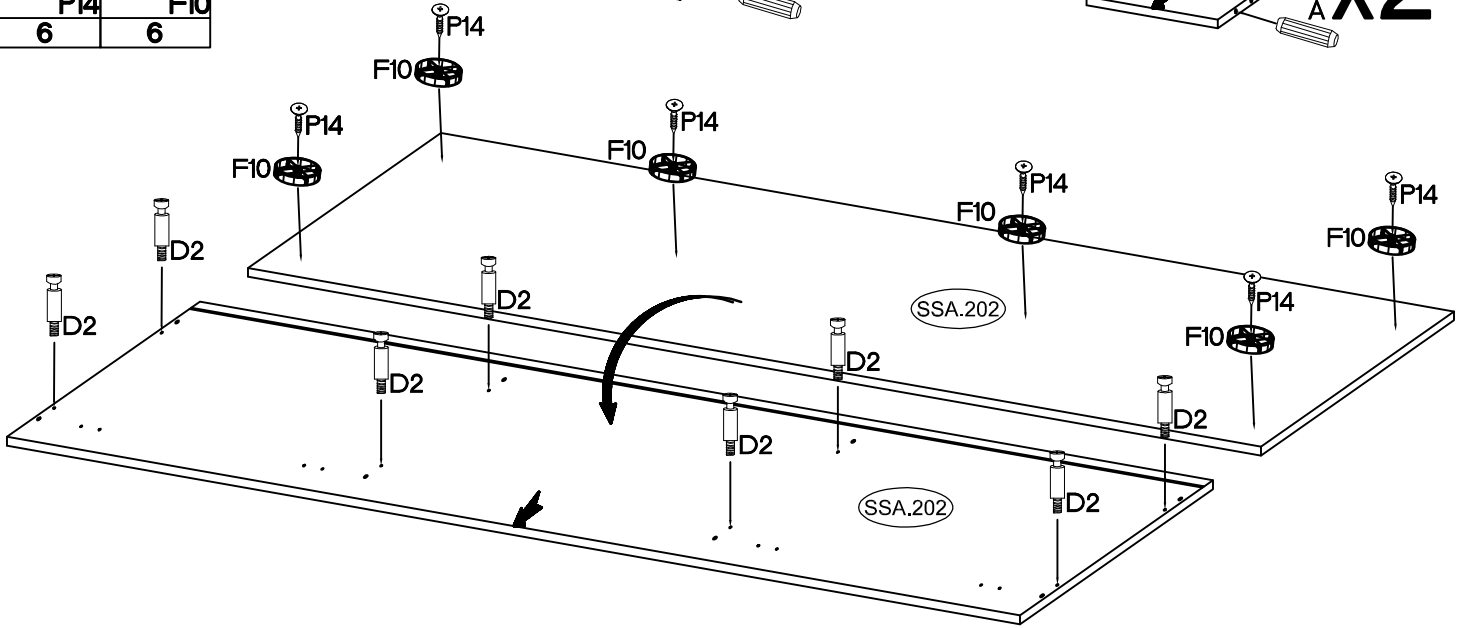
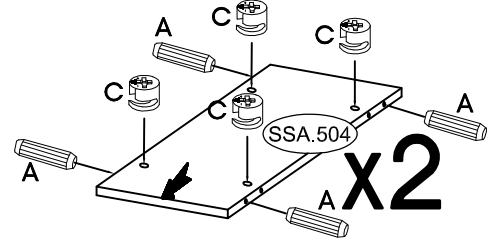
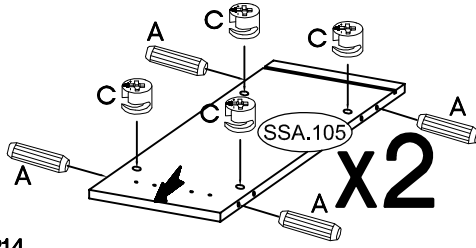
 5/45mm O3 2	 10x50mm O7 2
--	---



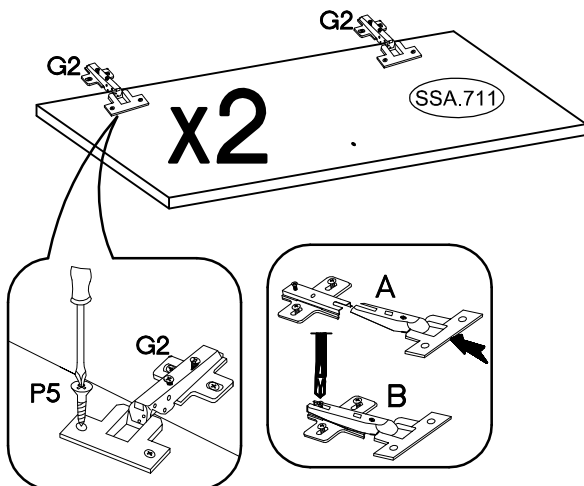
4





 $\varnothing 5/12\text{mm}$	 $\varnothing 8 \times 30\text{mm}$	 L=20mm
C	A	D2

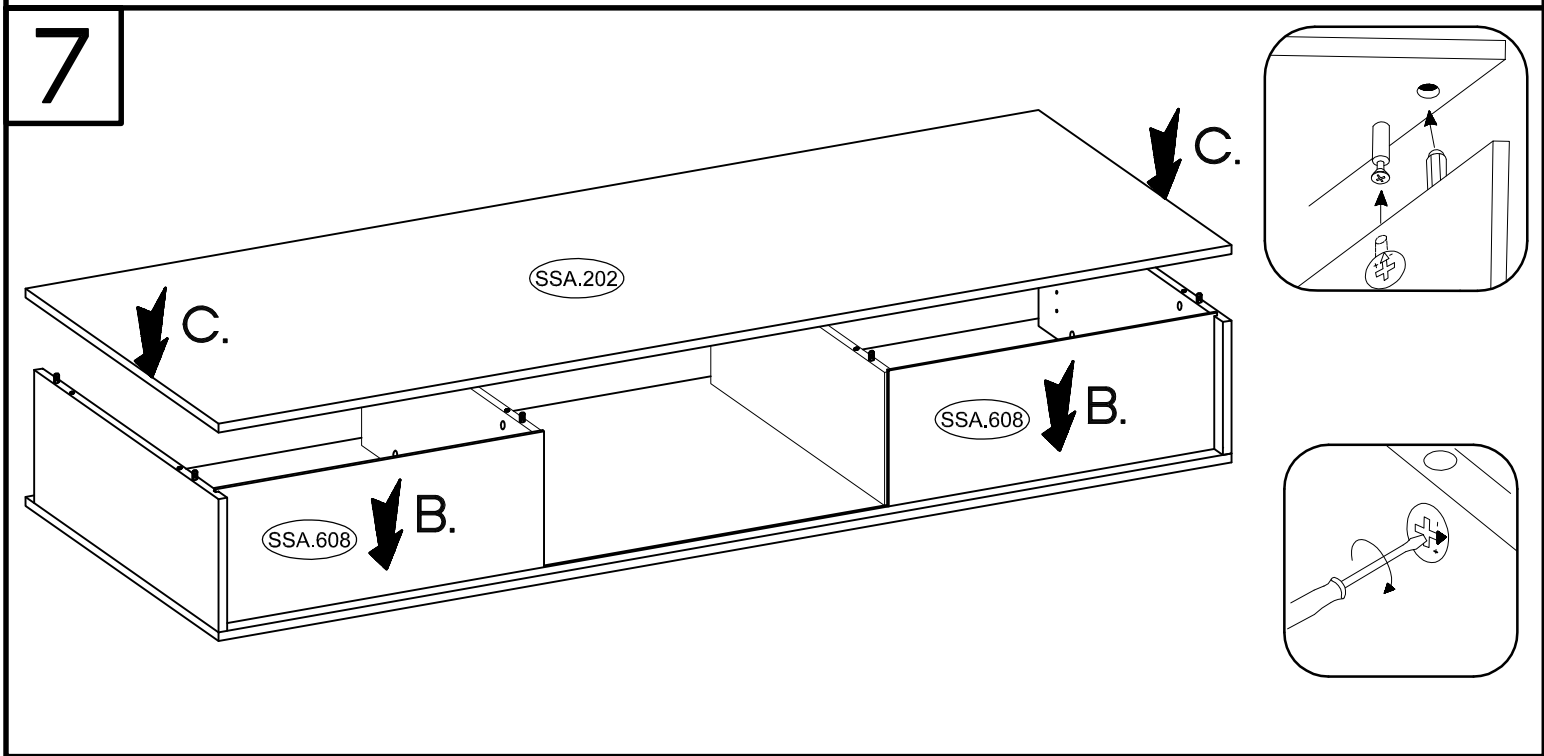
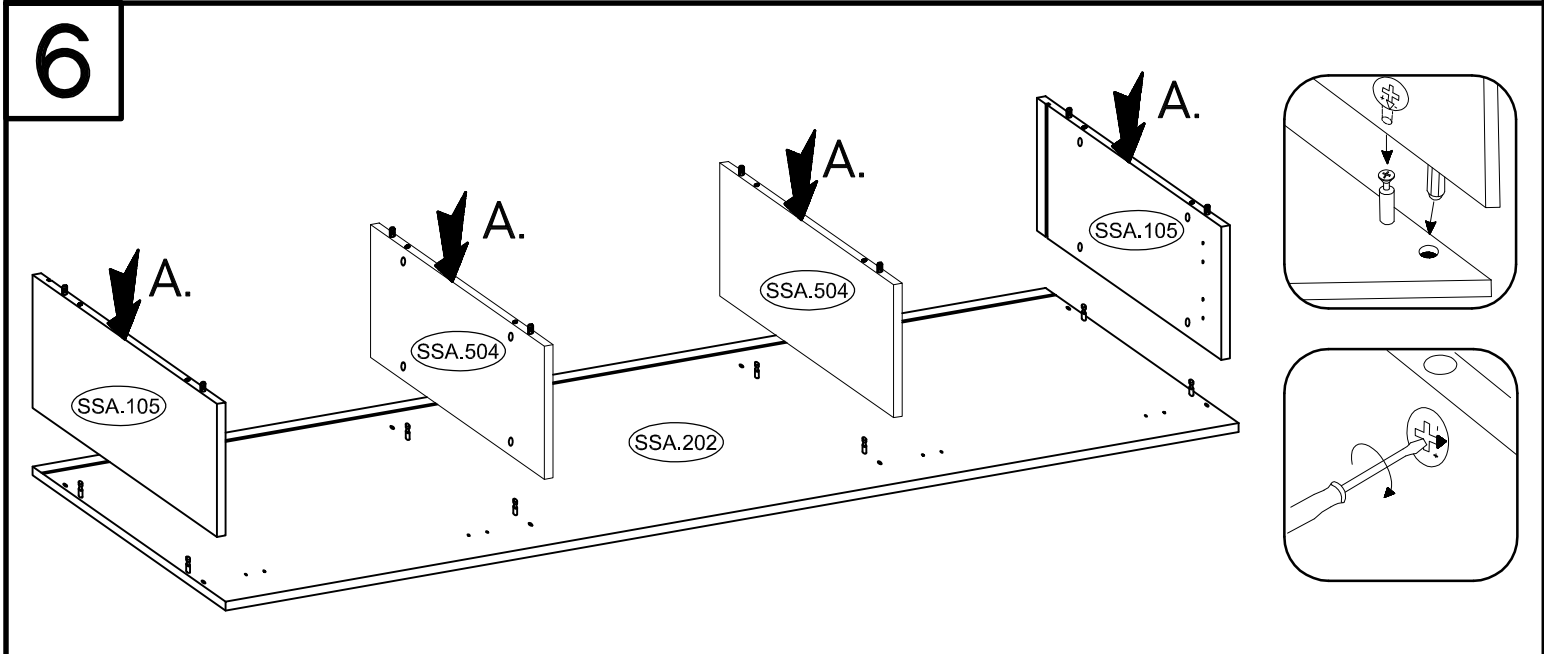
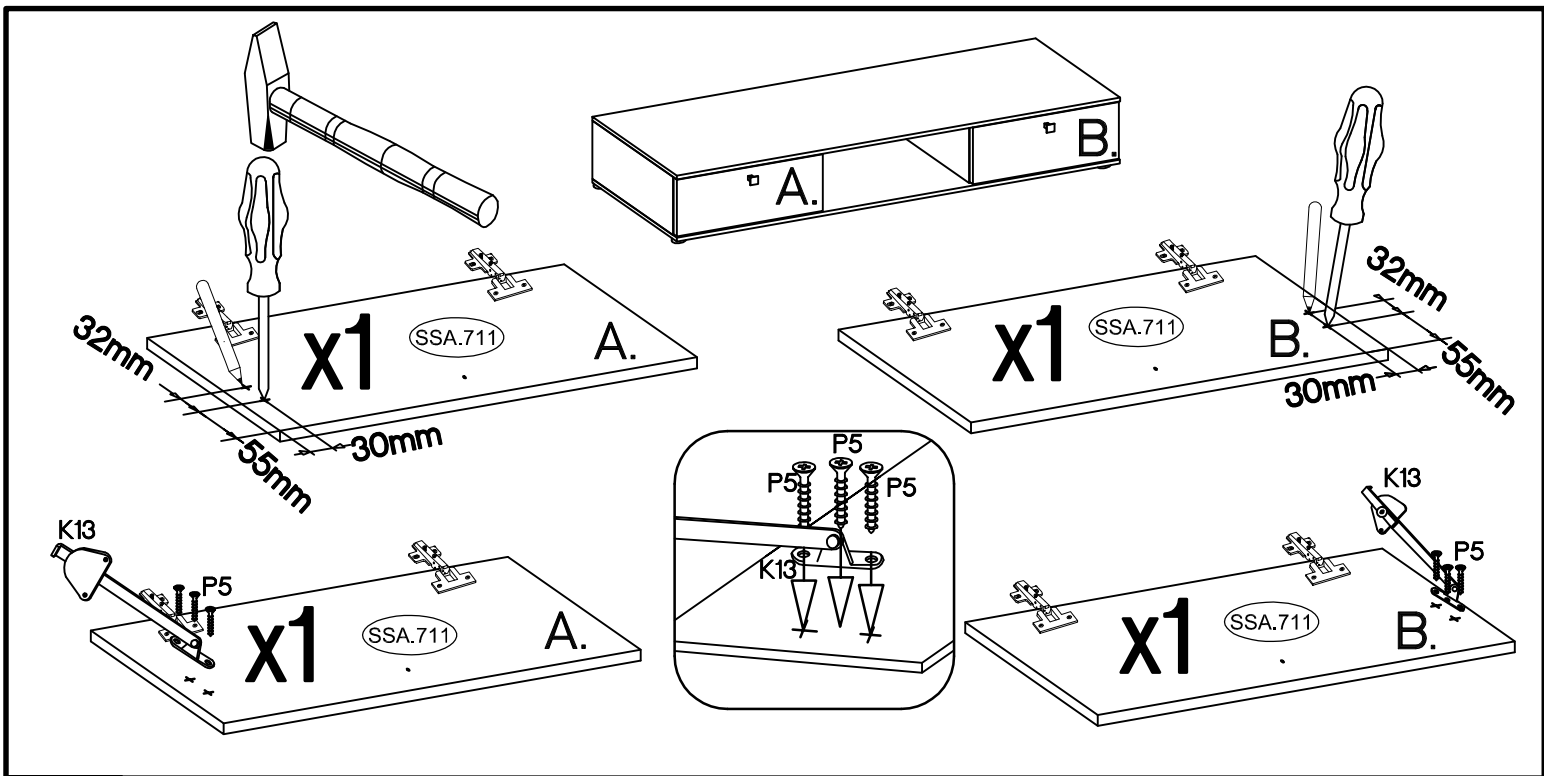
 $\varnothing 4.0 \times 25\text{mm}$	 $\varnothing 60/20\text{mm}$
P14	F10
6	6



5

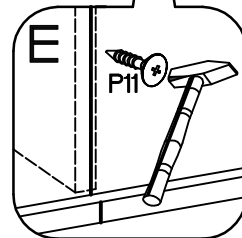
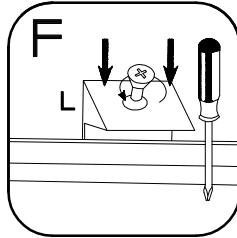
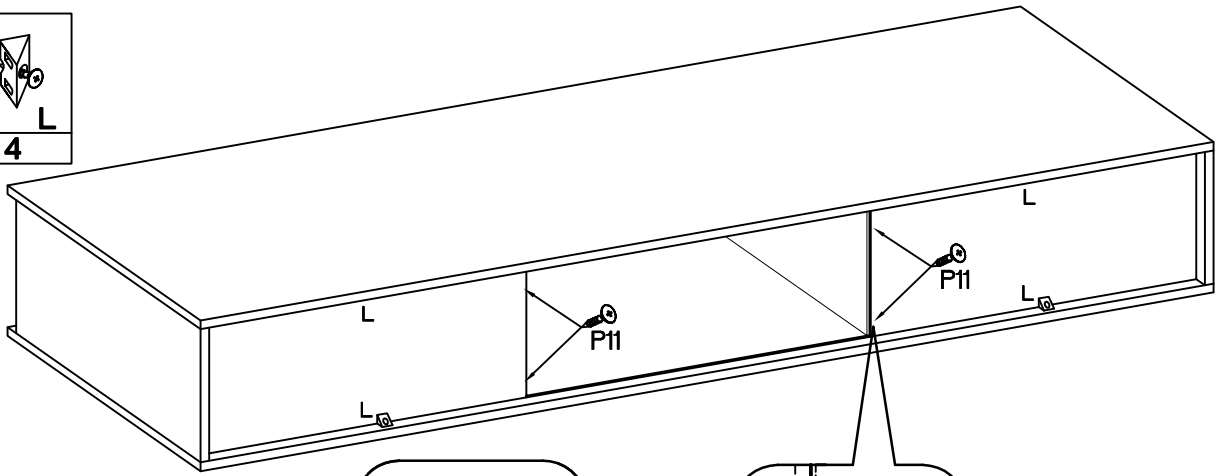
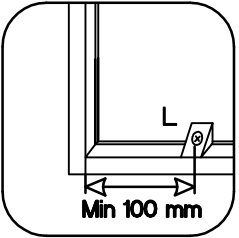
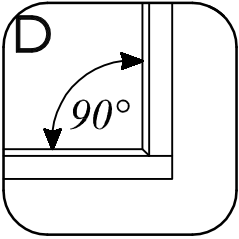


 H-0	 $\varnothing 3.5/16\text{mm}$	 $\varnothing 3.5 \times 13\text{mm}$	
H	G2	P5	K13
4	4	14	2



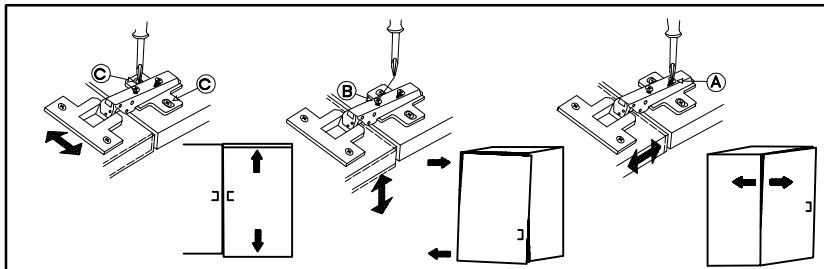
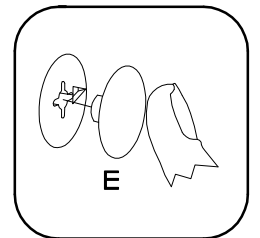
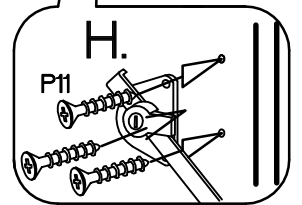
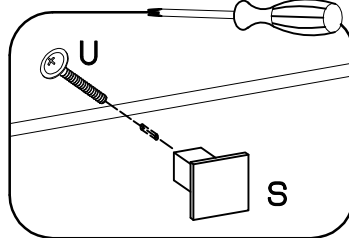
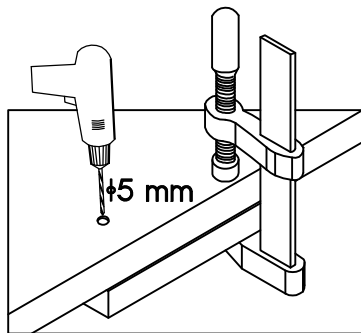
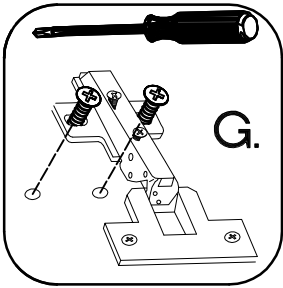
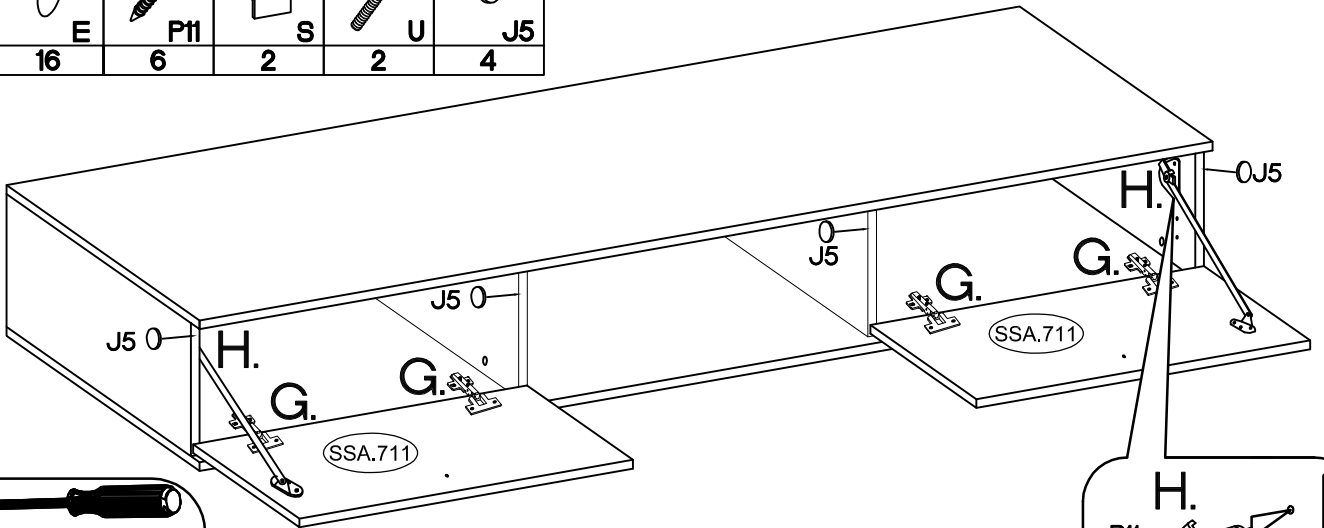
8

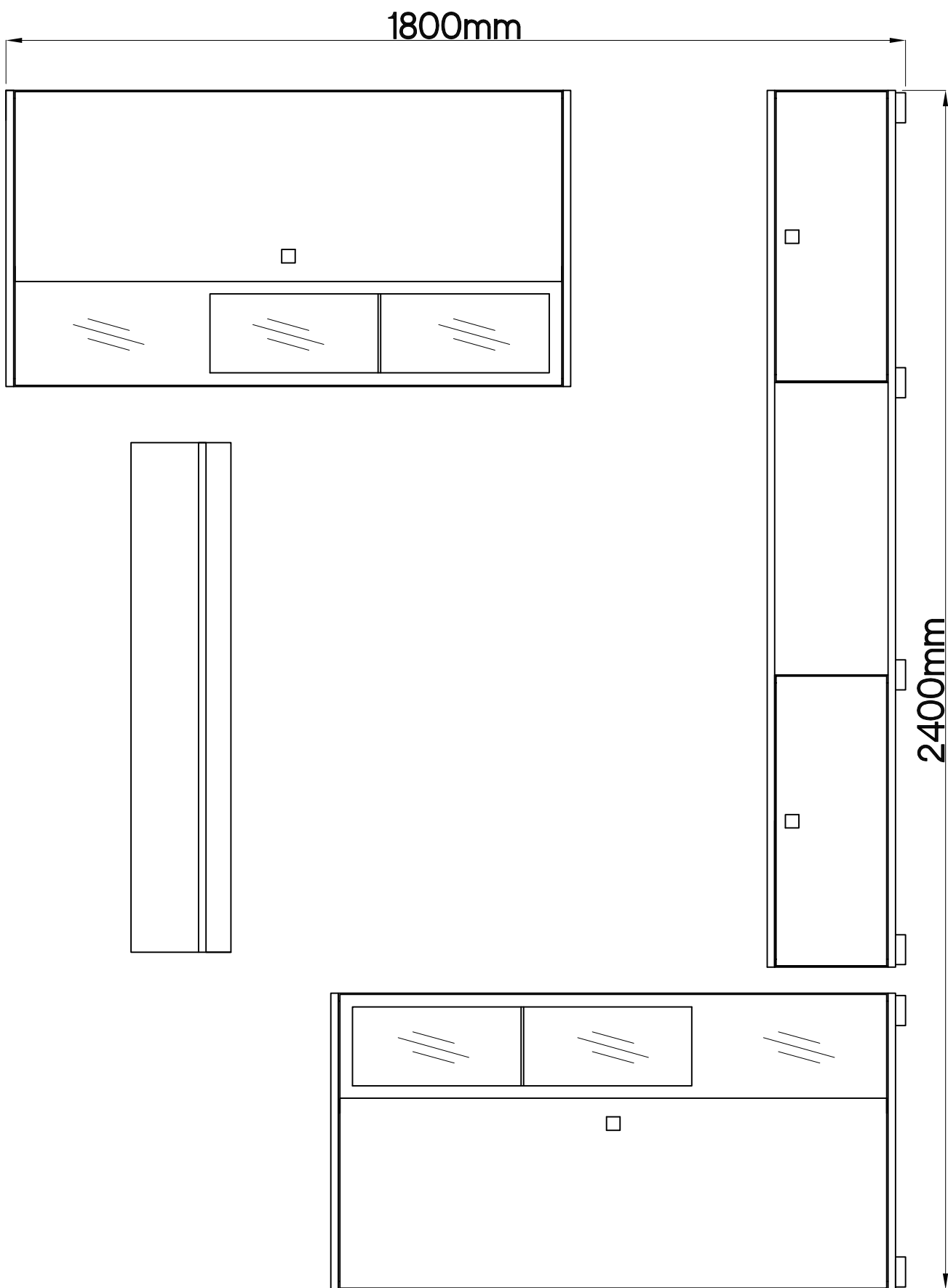
 P11 4	 L 4
--------------	------------



9

 E 16	 P11 6	 S 2	 U 2	 J5 4
-------------	--------------	------------	------------	-------------





SCHEMAT USTAWIENIA ZESTAWU